

MASS PRODUCTION, SUPPLY AND DELIVERY FOR VARIOUS TOOLS AND EQUIPMENT FOR 9,069 TECHNICAL-VOCATIONAL-LIVELIHOOD (TVL) PROGRAMS OF 2,195 TVL SENIOR HIGH SCHOOLS

LIST OF ITEMS AND BID SECURITY PER LOT

MASS PRODUCTION					
Item No.	Item Description	Total Quantity	Cost Breakdown of the Approved Budget for the Contract (ABC) Php243,641,499.36	Bid Security Form & Amount (if other than Bid Securing Declaration)	
				2% of ABC (if bid security is in cash, cashier's/ manager's check, bank draft/guarantee or irrevocable letter of credit)	5% of ABC (if bid security is in Surety Bond)
1	CABINET DESIGN 1	1,627	29,229,926.10		
2	CABINET DESIGN 2	2,658	87,386,879.36		
3	CABINET DESIGN 3	884	15,881,533.29		
4	CABINET DESIGN 4 (FILING CABINET)	1,417	19,800,016.18		
				4,872,829.99	12,182,074.97
5	CABINET DESIGN 5 (FIRST AID CABINET)	4,288	25,678,738.60		
6	CABINET DESIGN 6 (WATER STATION CABINET)	2,942	44,493,852.79		
7	WORK BENCH WITH BENCH VISE ON FOUR CORNERS	938	21,170,553.04		



MASS PRODUCTION, SUPPLY AND DELIVERY FOR VARIOUS TOOLS AND EQUIPMENT FOR 9,069 TECHNICAL-VOCATIONAL-LIVELIHOOD (TVL) PROGRAMS OF 2,195 TVL SENIOR HIGH SCHOOLS

QUALITY ASSURANCE PROCEDURES DURING SAMPLE EVALUATION

The supplier shall submit the samples to the location mentioned in the attached listing and the TWG will evaluate the sample based on the Technical Specifications.

TVL CABINETS

Submission and Evaluation of Sample of the Mass-Produce Goods

Submission of Samples (Non-Collapsible and Collapsible):

- (a) Samples of Cabinets for evaluation/inspection by the Technical Working Group (TWG) of this project shall be submitted within ten (10) calendar days after the issuance of NTP to DepEd BLR Manila.
- (b) The Manufacturer/Supplier shall manufacture and submit one (1) sample of each type. For the collapsible cabinets; submit one (1) unit of not assembled cabinets.

Conduct of Sample Evaluation (Collapsible and Non-Collapsible Cabinets):

1. Conduct thorough evaluation of the not assembled one (1) unit cabinet based on the technical specifications (collapsible cabinets).
2. Conduct visual evaluation. The material must conform to the technical specifications. There must be no deformities, dents, breakage, sharp edges, cracks, and other deficiencies/defects.
3. Do dimensional evaluation through linear measurement of length, width, height, thickness, etc.
4. The paint applied to the cabinet should be evaluated to determine compliance to the technical specifications, which is powder coating.
5. The cabinets will be subjected to stress test by moving it sideways, forward, and backward and tilt 30 degrees both ways from the vertical position. During stress test, if the assembled cabinet is found not sturdy and defects will be noted, it will be ground for rejection. The DepEd Inspectors will discuss with Supplier to establish the areas that needs improvement and those that are not compliant to the technical specifications.
6. The Supplier should replace the failed sample(s) of the cabinets.



7. The Supplier should pullout failed or rejected cabinets.
8. Provide QC PASSED stickers on the passed cabinets.
9. The approved samples will be deposited and stored at DepEd Central Office, Bureau of Learning Resources for the duration of the project/contract since it will be used as reference during the conduct of the pre-delivery inspection.

Mass Production will start after the sample of the Goods to be mass-produced is officially approved by the PIU. Corresponding documents officially approving the Goods and authorizing mass production will be issued by the PIU.



MASS PRODUCTION, SUPPLY AND DELIVERY FOR VARIOUS TOOLS AND EQUIPMENT FOR 9,069 TECHNICAL-VOCATIONAL-LIVELIHOOD (TVL) PROGRAMS OF 2,195 TVL SENIOR HIGH SCHOOLS

INSPECTION AND TEST PROTOCOL

ITEM NO.	PROGRAM/SPECIALIZATION	ITEM NAME	INSPECTION PROCEDURE
1	<i>Horticulture NC II Agricultural Crops Production (NC I) Aquaculture NC II Horticulture NC II Organic Agriculture NC II</i>	Cabinet Design 1	All the required specifications will be inspected and measured for compliance. Material thickness will be measured for compliance. Paint will be rub with cotton moistened with denatured alcohol to test for powder coating and toughness of paint, any appearance of paint stain in cotton will be rejected. No dents, deformities, formation of rust and sharp edges.
2	<i>Commercial Cooking NC III Cookery NC II</i>	Cabinet Design 2 (Condiment cabinet)	All the required specifications will be inspected and measured for compliance. Material thickness will be measured for compliance. Paint will be rub with cotton moistened with denatured alcohol to test for powder coating and toughness of paint, any appearance of paint stain in cotton will be rejected. No dents, deformities, formation of rust and sharp edges.
3	<i>Tailoring NC II Dressmaking NC II Fashion Design (Apparel) NC III Housekeeping NC II</i>	Cabinet Design 3	All the required specifications will be inspected and measured for compliance. Material thickness will be measured for compliance. Paint will be rub with cotton moistened with denatured alcohol to test for powder coating and toughness of paint, any appearance of paint stain in cotton will be rejected. No dents, deformities, formation of rust and sharp edges.
4	<i>Cookery NC II Travel Services NC II</i>	Cabinet Design 4	All the required specifications will be inspected and measured for compliance. Material thickness will be measured for compliance. Paint will be rub with cotton moistened with denatured alcohol to test for powder coating and toughness of paint, any appearance of paint stain in cotton will be rejected. No dents, deformities, formation of rust and sharp edges. (Include this statement in the protocol: "For collapsible cabinet random assembling of five cabinets will be done at the Supplier's warehouse, however, final assembly will be done at the recipient schools during delivery as part school inspection and acceptance procedure.)
5	<i>Cookery NC II Housekeeping NC II Travel Services NC II</i>	Cabinet Design 5 (First Aid Cabinet)	All the required specifications will be inspected and measured for compliance. Material thickness will be measured for compliance. Paint will be rub with cotton moistened with denatured alcohol to test for powder coating and toughness of paint, any appearance of paint stain in cotton will be rejected. No dents, deformities, formation of rust and sharp edges.
6	<i>Food And Beverage Services NC II</i>	Cabinet Design 6 (Water Station Cabinet)	All the required specifications will be inspected and measured for compliance. Material thickness will be measured for compliance. Paint will be rub with cotton moistened with denatured alcohol to test for powder coating and toughness of paint, any appearance of paint stain in cotton will be rejected. No dents, deformities, formation of rust and sharp edges.

7	<i>Gas Metal Arc Welding (GMAW) NC II</i> <i>Shielded Metal Arc Welding (NC I and NC II)</i> <i>Shielded Metal Arc Welding NC I</i> <i>Shielded Metal Arc Welding NC II</i>	Work Bench With Bench Vise On Four Corners	Conduct dimensional inspection and material evaluation. All the required technical specification should be met. Equipment construction should be rigid, full welded joints and stable. No rust formation, deformities, toolmarks and broken parts. Completeness of accessories as per requirements. Bench vise should comply to technical specification and required capacity.
---	--	---	--



MASS PRODUCTION, SUPPLY AND DELIVERY FOR VARIOUS TOOLS AND EQUIPMENT FOR 9,069 TECHNICAL-VOCATIONAL-LIVELIHOOD (TVL) PROGRAMS OF 2,195 TVL SENIOR HIGH SCHOOLS

QUALITY ASSURANCE PROCEDURES DURING CONTRACT IMPLEMENTATION

Pre-delivery Inspection:

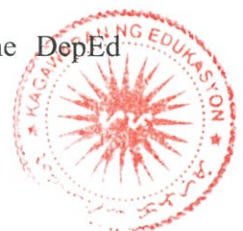
I. General Instructions:

- (a) The technical specifications in the Contract and the approved sample will be used as reference during inspection. In case of deviations of the approved sample/s from the technical specifications, the approved sample/s will prevail;
- (b) The quantity is one of the factors in deciding for a random or 100% inspection. For items with large volume to be inspected, the inspection will start with random inspection using sampling plan prepared by the Project Implementing Unit (PIU), however, it can shift to 100% inspection if the quality of the goods is found poor as manifested by high percentage of rejection. For small volume items, the type of inspection is usually 100%.
- (c) The Supplier will send request for inspection stating the goods to be inspected and the quantity to PIU. The Supplier shall ensure that the goods for inspection are available in their warehouse in the Philippines.
- (d) The Supplier in coordination with the DepEd Inspectors shall prepare the inspection area, to ensure smooth inspection flow. The inspection should have enough space for the conduct of the inspection and well ventilated.
- (e) DepEd Inspectors and the Supplier or his/her authorize representative must sign the Inspection Report.
- (f) The Inspection and Test Protocol specific to the goods shall serve as guide during conduct of inspection.

II. Non-Collapsible and Collapsible Cabinets:

Preparation by the Supplier During Pre-Delivery Inspection:

1. To fast track the inspection especially that the cabinets are heavy, enough lifting equipment and personnel should be available.
2. There should be enough personnel who will be assigned to assist the DepEd inspectors.



Conduct of the Pre-Delivery Inspection by DepEd Inspectors:

1. Inspection of the goods shall be based on the sampling inspection plan prepared by the Procuring Entity; however, 100% inspection shall be adopted if the situations find it necessary. Sampling for the cabinet:

Maximum Lot size: 200 units of cabinets

Sample Size: Randomly select 10% or 20 still collapse cabinets

2. Subject to thorough quality assurance inspection based on the technical specifications and the approved sample including the quality and size of the locking rivets and bolts. The lot of 200 cabinets will be accepted if zero non-conforming and will be rejected if there is one (1) non-conforming. The supplier based on the findings of the DepEd Inspectors will sort the rejected lot.
3. Conduct visual inspection. There must be no deformities, breakage, sharp edges, dents, cracks, and other deficiencies/defects.
4. Do dimensional inspection through linear measurement of the length, width, height, thickness, etc.
5. Conduct powder-coating test to validate the quality of the powder coat and ensure that surface coating is powder coat not liquid paint.
6. Assemble the five (5) pcs collapsed cabinets that passed the quality control inspection (For collapsible cabinets) .
7. The cabinets will be subjected to stress test by moving it sideways, forward, and backward and tilt 30 degrees both ways from the vertical position. During stress test, if one assembled cabinet is found not sturdy and defects will be noted, the 200 collapse cabinets will be rejected and turn-over to the supplier for rectification or replacement. The rectified and replacement cabinets should the same inspection procedures.
8. Provide “QC PASSED” sticker on the topmost part of the knockdown-state cabinet, which passed the inspection to show that the School Inspection and Acceptance Team (SIAT) inspected it at the collapse state but still subject to assembly inspection.

The Supplier upon delivery shall properly assemble the cabinets at the recipient school. The Procuring Entity shall make no payment to the Supplier if the cabinets are found not properly assembled or the assembly is defective as confirmed by the School Head in their comments/findings in the IAR and QRTQ.

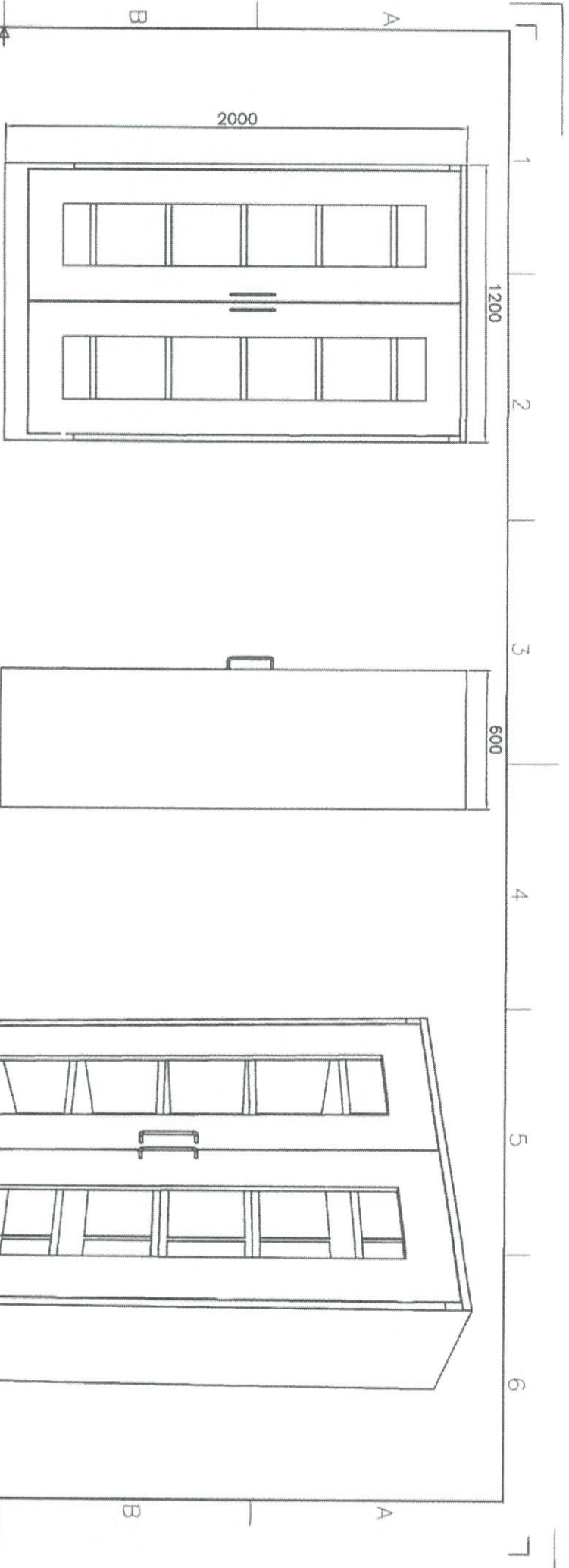


FY 2018 Provision of TVL Tools and Equipment

Table of Contents (Mass Production Items)

Program/Specialization	Item Name	Page No.
Mass Production Items		
Horticulture NC II	Cabinet Design 1 (Sorting Cabinet)	2-15
Agricultural Crops Production (NC I)	Cabinet Design 1 (Storage/tool cabinet)	
Aquaculture NC II	Cabinet Design 1 (Storage/tool cabinet)	
Horticulture NC II	Cabinet Design 1 (Storage/tool cabinet)	
Organic Agriculture NC II	Cabinet Design 1 (Storage/tool cabinet)	
Commercial Cooking NC III	Cabinet Design 2 (Condiment cabinet)	16-29
Cookery NC II	Cabinet Design 2 (Condiment cabinet)	
Tailoring NC II	Cabinet Design 3 (Cabinet with Sliding Door)	30-46
Dressmaking NC II	Cabinet Design 3 (Display Cabinet)	
Fashion Design (Apparel) NC III	Cabinet Design 3 (Display Cabinet)	
Housekeeping NC II	Cabinet Design 3 (Wardrobe Cabinet)	
Cookery NC II	Cabinet Design 4 (Filing cabinet)	47
Travel Services NC II	Cabinet Design 4 (Filing cabinet)	
Cookery NC II	Cabinet Design 5 (First Aid Cabinet)	48
Housekeeping NC II	Cabinet Design 5 (First Aid Cabinet)	
Travel Services NC II	Cabinet Design 5 (First Aid Cabinet)	
Food And Beverage Services NC II	Cabinet Design 6 (WATER STATION CABINET)	49
Gas Metal Arc Welding (GMAW) NC II	WORK BENCH WITH BENCH VISE ON FOUR CORNERS	50
Shielded Metal Arc Welding (NC I and NC II)	WORK BENCH WITH BENCH VISE ON FOUR CORNERS	
Shielded Metal Arc Welding NC I	WORK BENCH WITH BENCH VISE ON FOUR CORNERS	
Shielded Metal Arc Welding NC II	WORK BENCH WITH BENCH VISE ON FOUR CORNERS	





Description :

Color : Cyan Blue: C, M, Y, K (71,53,0,12)
 Material : 1,00mm Thick Cold-rolled Steel Sheet, 6mm thick Flex-Glass Door
 Size : 2,0 meters x 1,20 meters x 0,6 meters
 Feature : Durable and Fashionable

About Cabinet :

1. 1,00mm thickness sheet then powder coat.(Welded surface must be hidden)
2. The cabinet body's material is cold-rolled steel
3. 2 Swinging flex-glass doors with 2pcs stainless steel 304 handle bars (10mm diameter Stainless Steel 304 Round Bar x 7in. screw mounted in between center.
4. 3 Adjustable and detachable shelves.
5. Cabinet must be mounted on the WALL or FLOOR using 4pcs. M8 x 2 inches EXPANSION BOLT with washer.
6. Locking system will make the assembly sturdy even without the rivets.
7. Locking system of the collapsible cabinet is subject to approval during sample evaluation.

NOTES:

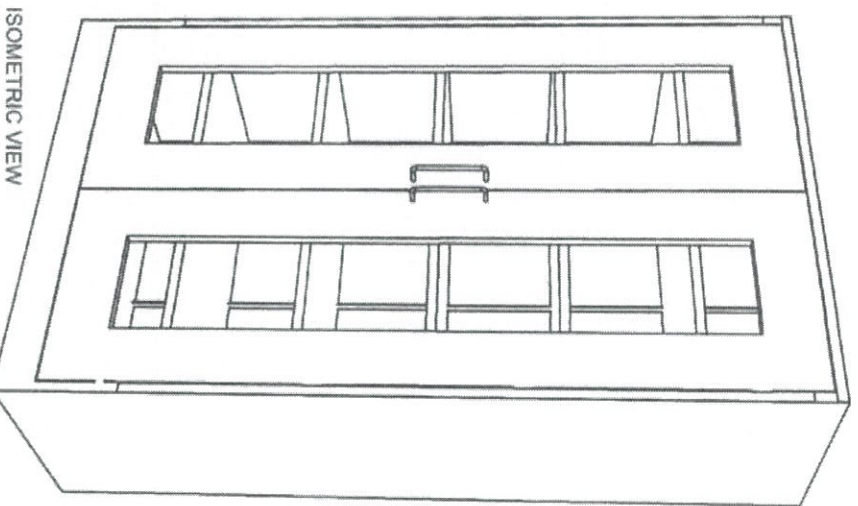
1. All dimensions are in millimeter unless otherwise specified
2. Remove burrs and sharp edges.

TOLERANCES FOR LENGTH GAUGING

Grade of Accuracy	Neutral Size	Over	Over	Over	Over
Medium	0.5 to 3	3 to 6	6 to 30	30 to 120	120 to 400
	7.0 to 10	10.00	-0.20	0.30	0.60

TOLERANCES FOR RADIUS & CHAMFERS

Grade of Accuracy	Neutral Size	Over	Over	Over	Over
Smooth	0.5 to 3	3 to 6	6 to 30	30 to 120	120 to 400
	7.0 to 10	10.00	0.30	0.60	1.20



ISOMETRIC VIEW

GOVERNMENT PROPERTY

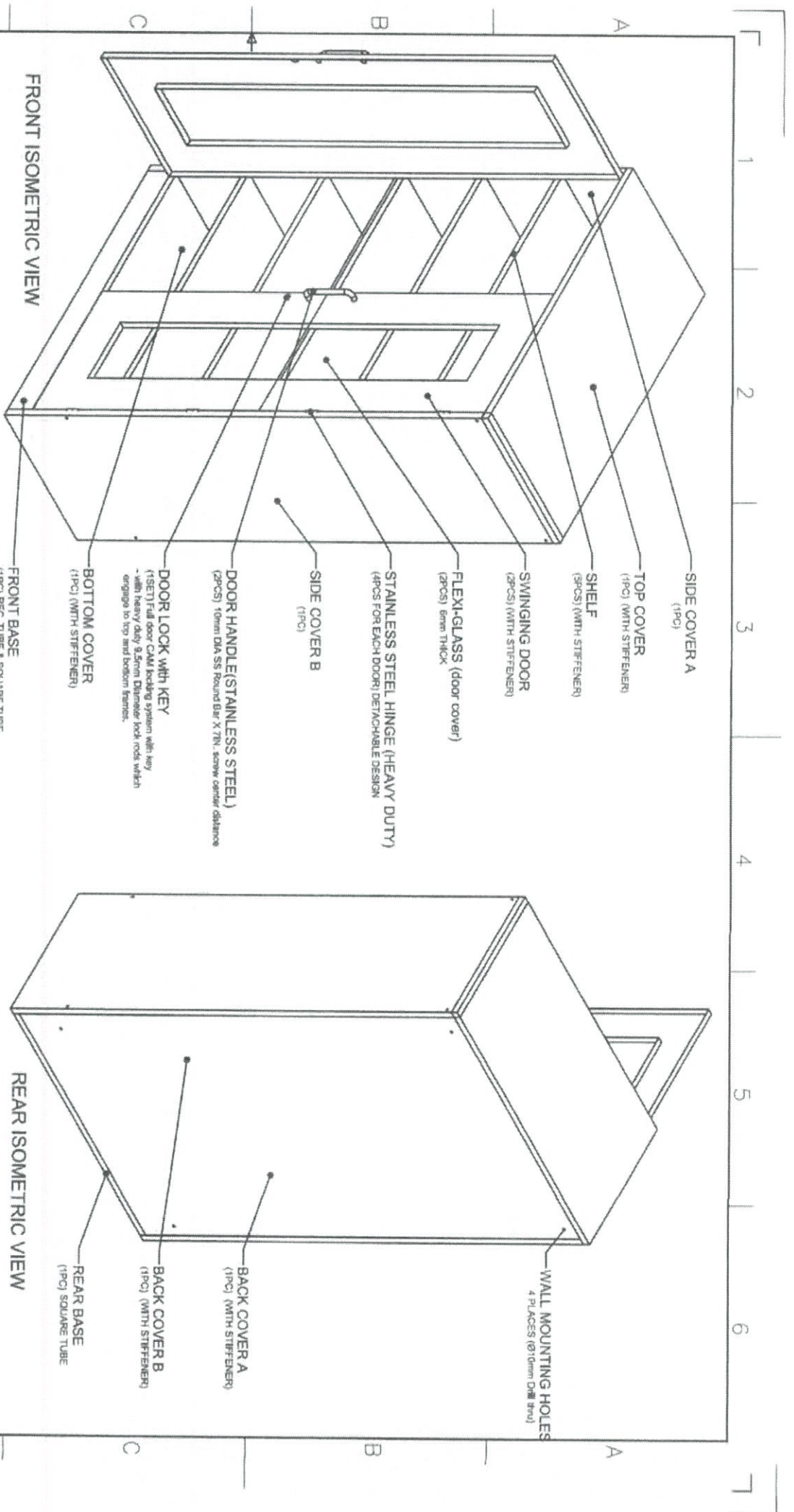
CABINET FOR TVL
 CABINET DESIGN # 1

Date	JUNE 2017	Scale	(NTS)
Conceptualized by			
Drawn by	B. C. Lisandra	Checked by	G.C. Ordoñez
Designed by	B. C. Lisandra	Reviewed by	R.H. Neri
Recommended by	R. C. Zaragozam, S. Maquillas		
Approved by	R. C. La Rosa		



DepED-BLR





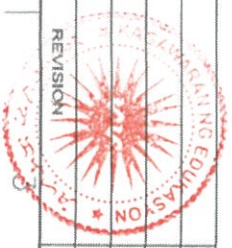
NOTES:
 1. All dimensions are in millimeter unless otherwise specified
 2. Remove burrs and sharp edges.

TOLERANCES FOR LENGTH GAUGING

Grade of Accuracy	Over	Over	Over	Over	Over
0.5 to 3	± 0.10	± 0.10	± 0.20	± 0.30	± 0.50
3 to 6	± 0.10	± 0.20	± 0.30	± 0.50	± 0.75
6 to 30	± 0.20	± 0.30	± 0.50	± 0.75	± 1.00
30 to 120	± 0.30	± 0.50	± 0.75	± 1.00	± 1.50
120 to 400	± 0.50	± 0.75	± 1.00	± 1.50	± 2.00

TOLERANCES FOR RADII & CHAMFERS

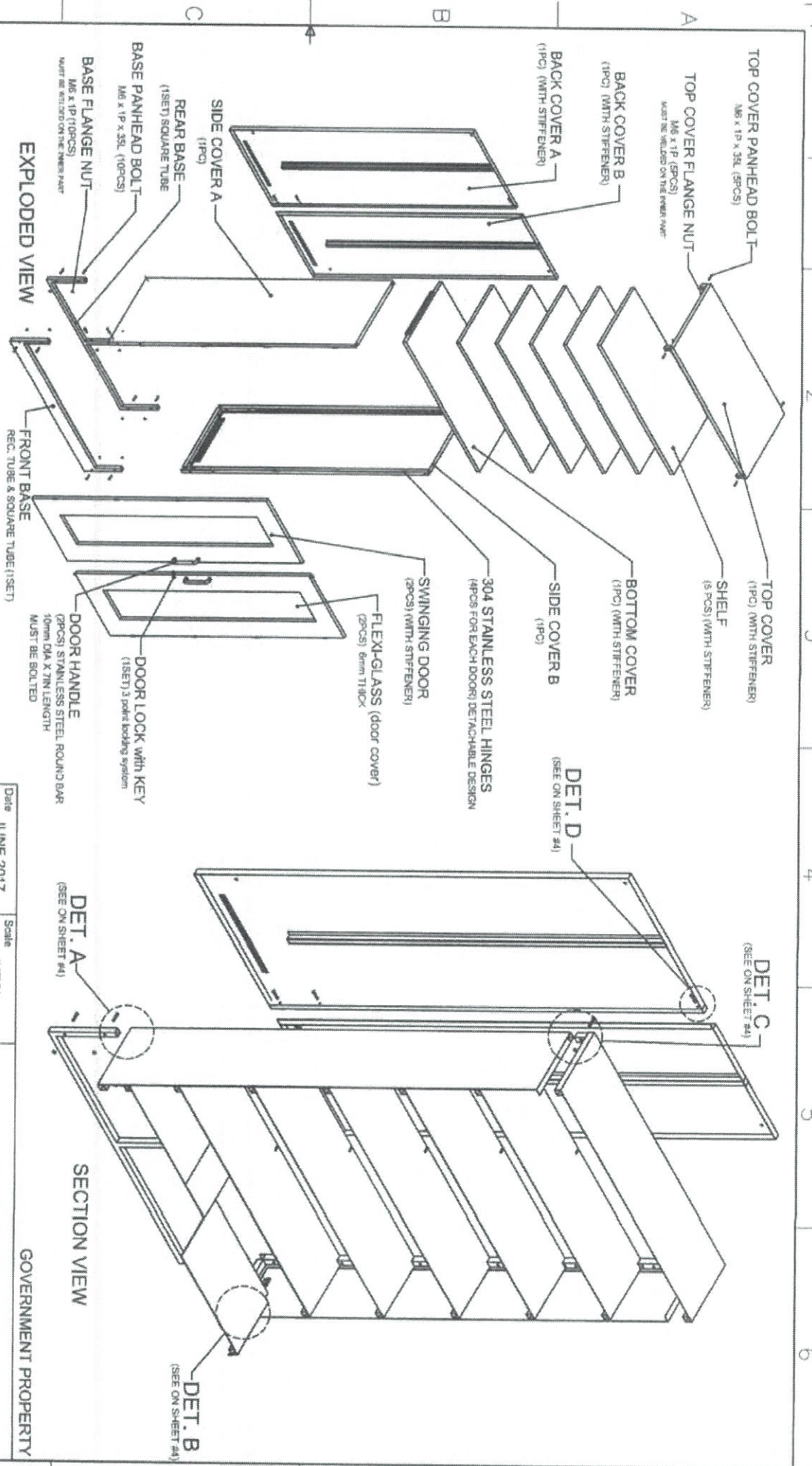
Grade of Accuracy	Over	Over	Over	Over
0.5 to 3	± 0.20	± 0.50	± 1.00	± 2.00
3 to 6	± 0.50	± 1.00	± 2.00	± 3.00
6 to 30	± 1.00	± 2.00	± 3.00	± 5.00
30 to 120	± 2.00	± 3.00	± 5.00	± 7.00
120 to 400	± 3.00	± 5.00	± 7.00	± 10.00



Date	JUNE 2017	Scale	(NTS)
Conceptualized by			
Drawn by	B C Lisonora	Checked by	R.H. Mari
Designed by	R.C. Zaragozam, S. Marquillas	Approved by	R. C. La Rosa
Item Name	CABINET FOR TVL		
Material	COLLAPSIBLE STEEL CABINET ASSEMBLY		
Sheet	02		
File name	CABINET DESIGN 1		
Material	1mm THICK COLD-ROLLED STEEL SHEET		
Item Name	CABINET DESIGN # 1		
Sheet	02		
File name	CABINET DESIGN 1		

GOVERNMENT PROPERTY

DepED-BLR



NOTES:
 1. All dimensions are in millimeter unless otherwise specified
 2. Remove burrs and sharp edges.

TOLERANCES FOR LENGTH GAUGING

Grade of Accuracy	Over	Over	Over	Over
Medium	0.5 to 3	3 to 6	6 to 30	30 to 120
Medium	0.10	0.10	0.20	0.20
Over	0.5 to 3	3 to 6	6 to 30	30 to 120
Over	0.10	0.10	0.20	0.20

TOLERANCES FOR RADIIUS & CHAMFERS

Grade of Accuracy	Over	Over	Over	Over
Medium	0.5 to 3	3 to 6	6 to 30	30 to 120
Medium	0.10	0.10	0.20	0.20
Over	0.5 to 3	3 to 6	6 to 30	30 to 120
Over	0.10	0.10	0.20	0.20



REVISION	DATE	BY

Date	JUNE 2017	Scale	(NTS)
Drawn by	B C Lisondra	Checked by	R. C. Zarbozaim S. Macullias
Designed by	B C Lisondra	Checked by	R. C. Zarbozaim S. Macullias
Recommended by	R. C. Zarbozaim S. Macullias	Approved by	R. C. La Rosa

Item Name
COLLAPSIBLE STEEL CABINET ASSEMBLY

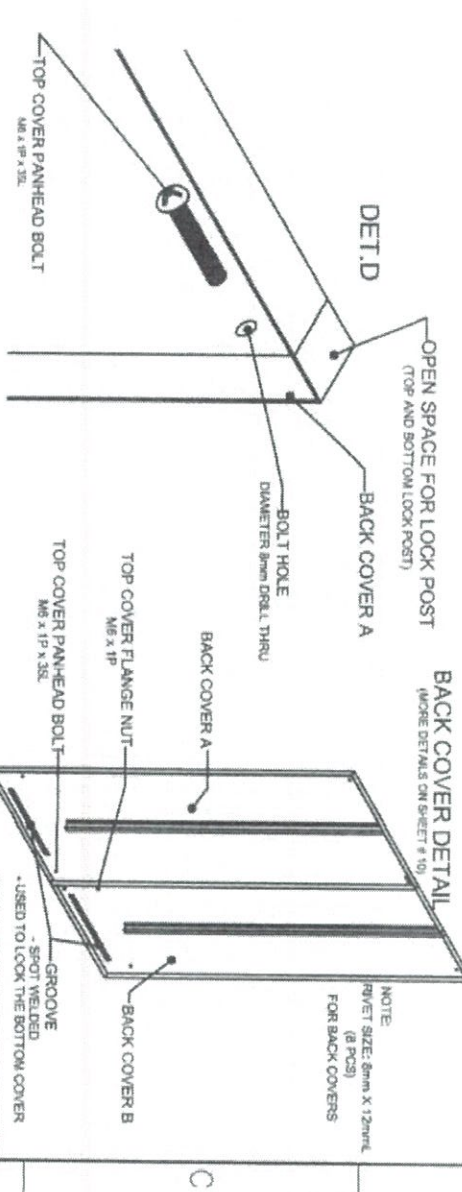
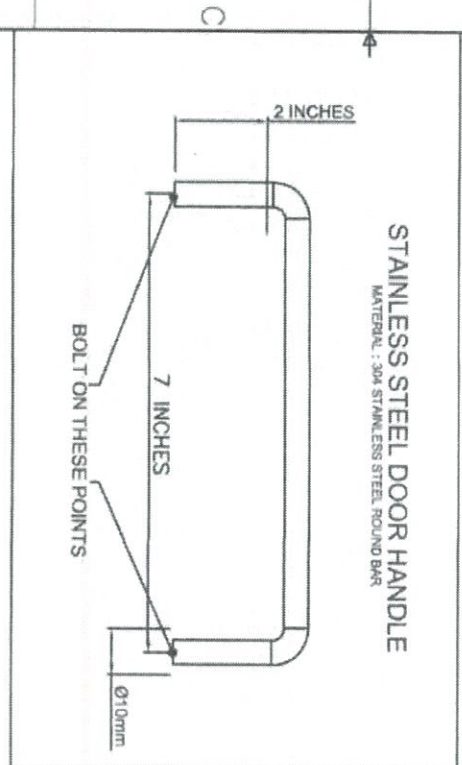
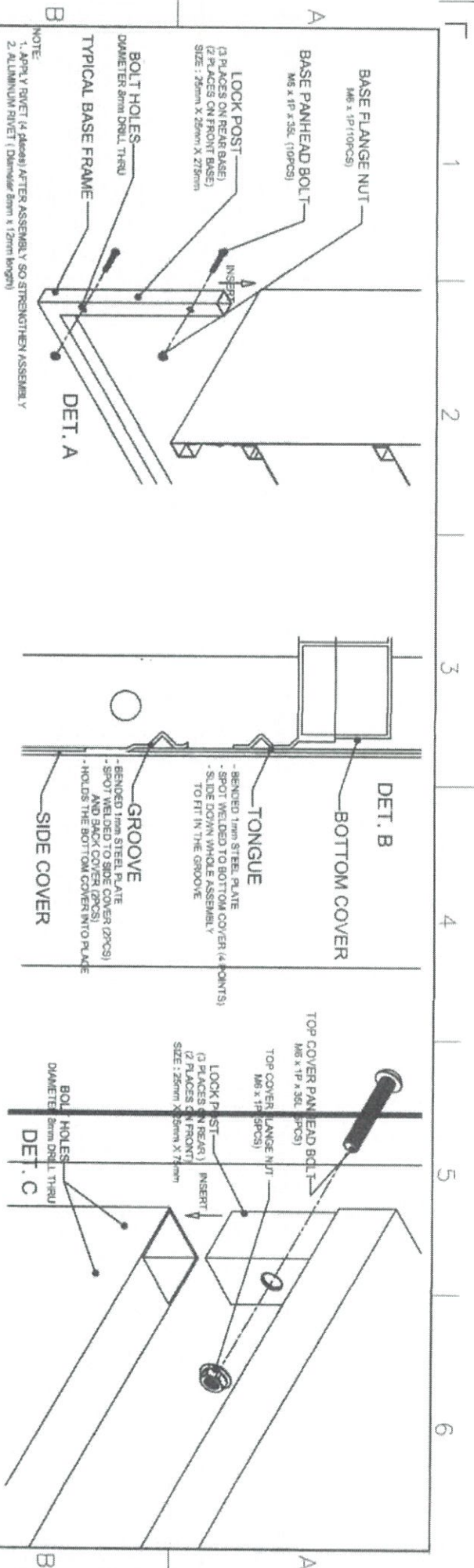
Material
 THICK COLD-ROLLED STEEL SHEET

Sheet
 03

File name
 CABINET DESIGN 1

GOVERNMENT PROPERTY

DepED-BLR



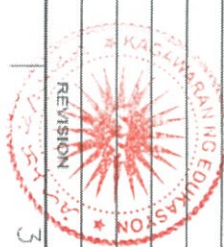
NOTES:
 1. All dimensions are in millimeter unless otherwise specified
 2. Remove burrs and sharp edges.

TOLERANCES FOR LENGTH GAUGING

Grade of Accuracy	Over	Over	Over	Over
Nominal Size	0.5 to 3	3 to 6	6 to 30	30 to 120
Medium	± 0.10	± 0.10	± 0.20	± 0.30
Large	± 0.15	± 0.20	± 0.30	± 0.40

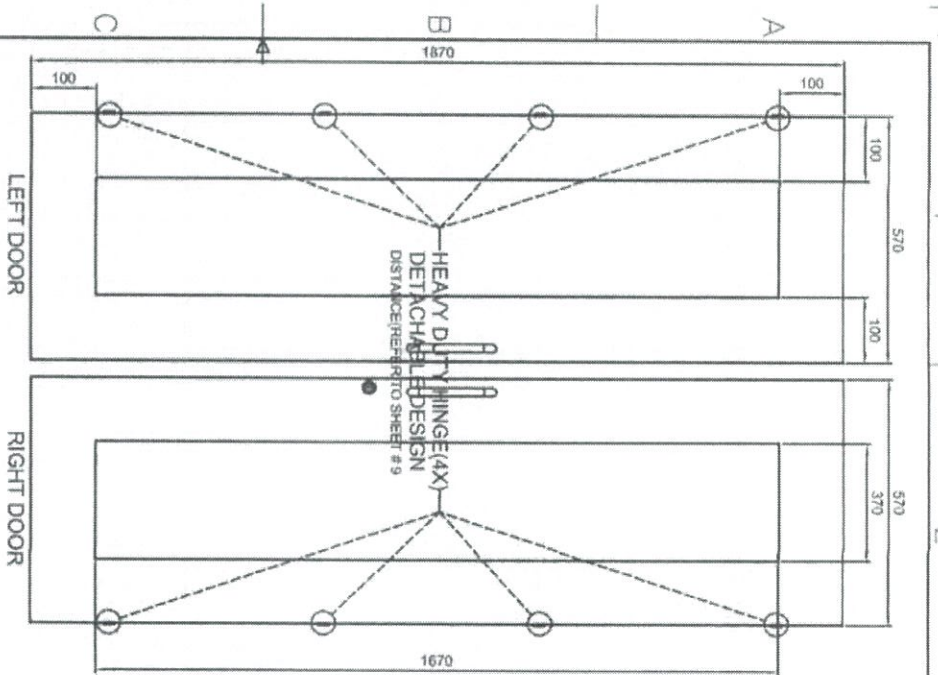
TOLERANCES FOR RADIIUS & CHAMFERS

Grade of Accuracy	Over	Over	Over
Nominal Size	0.5 to 3	3 to 6	6 to 30
Small	± 0.20	± 0.30	± 0.50
Medium	± 0.25	± 0.40	± 0.70
Large	± 0.30	± 0.50	± 1.00

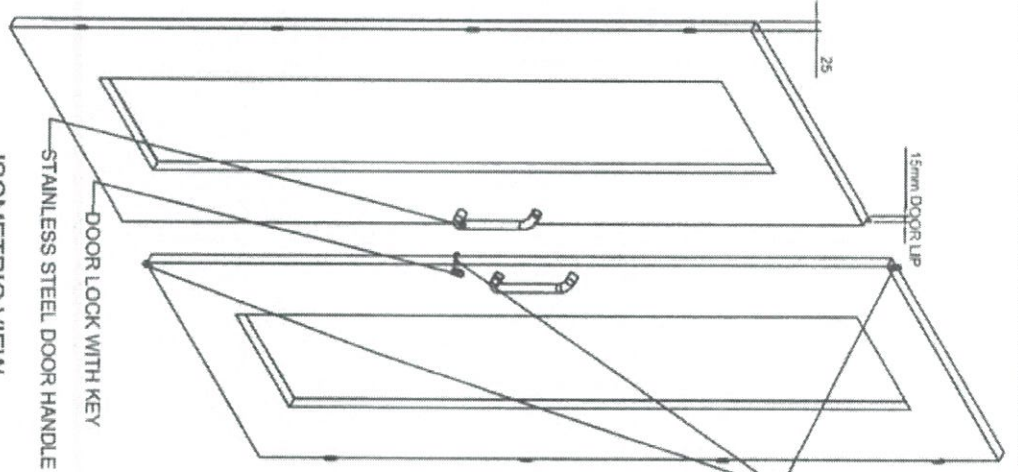


Date	JUNE 2017	Scale	(NTS)
Conceptualized by			
Drawn by	B. C. Lisondra	Checked by	
Designed by	B. C. Lisondra	Reviewed by	R. H. Meri
Recommended by	R. C. Zaragozam, S. Maguillas	Approved by	R. C. La Rosa
Item Name	COLLAPSIBLE STEEL CABINET DETAILS		
Material	1mm THICK COLD-ROLLED STEEL SHEET		
Sheet	04		
File name	CABINET DESIGN 1		

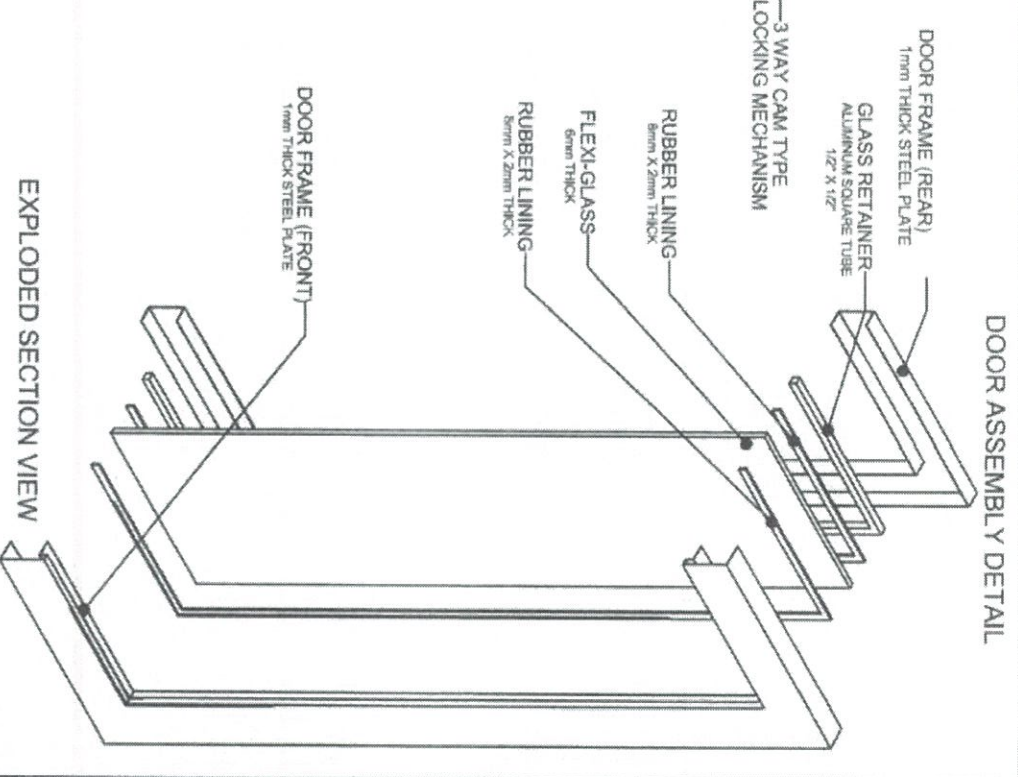
DepED-BLR



FRONT VIEW



ISOMETRIC VIEW



EXPLODED SECTION VIEW

GOVERNMENT PROPERTY

- NOTES:**
1. All dimensions are in millimeter unless otherwise specified
 2. Remove burrs and sharp edges.

TOLERANCES FOR LENGTH GAUGING

Grade of Accuracy	Maximal Size	Over	Over	Over	Over
Medium	0.5 to 3	+0.10	+0.20	+0.30	+0.50
	3 to 6	+0.15	+0.30	+0.40	+0.70
Fine	0.5 to 3	+0.08	+0.15	+0.20	+0.30
	3 to 6	+0.10	+0.20	+0.25	+0.40

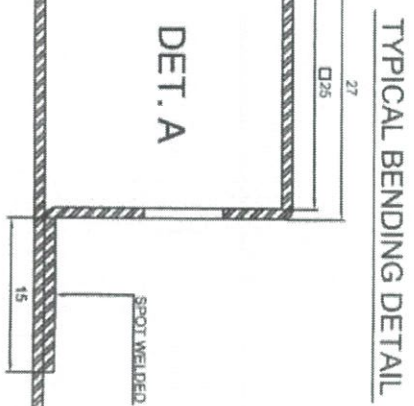
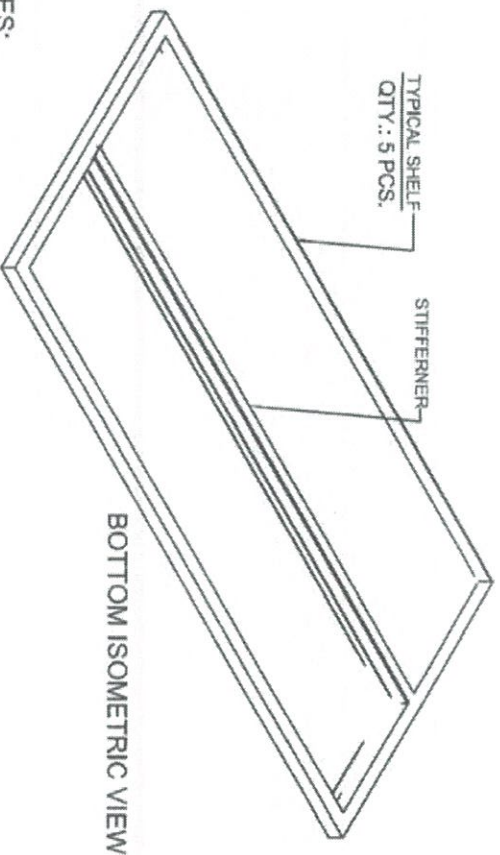
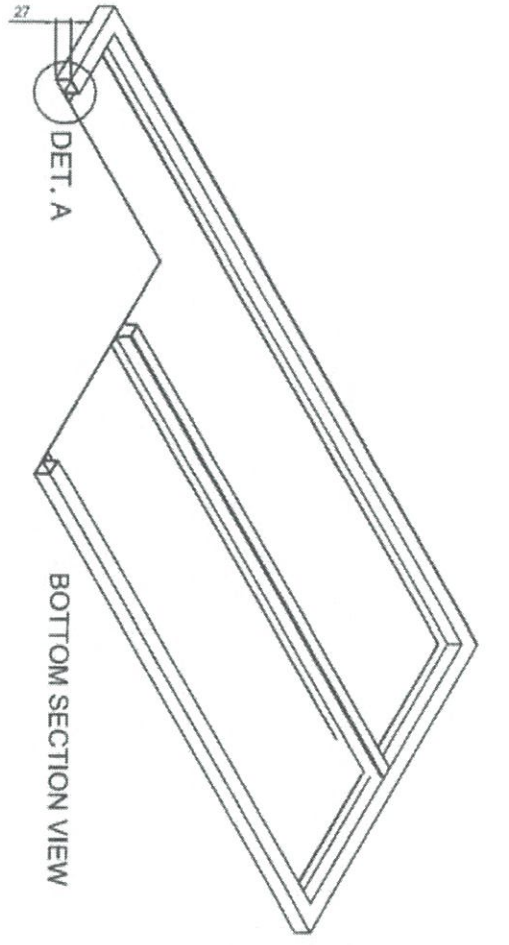
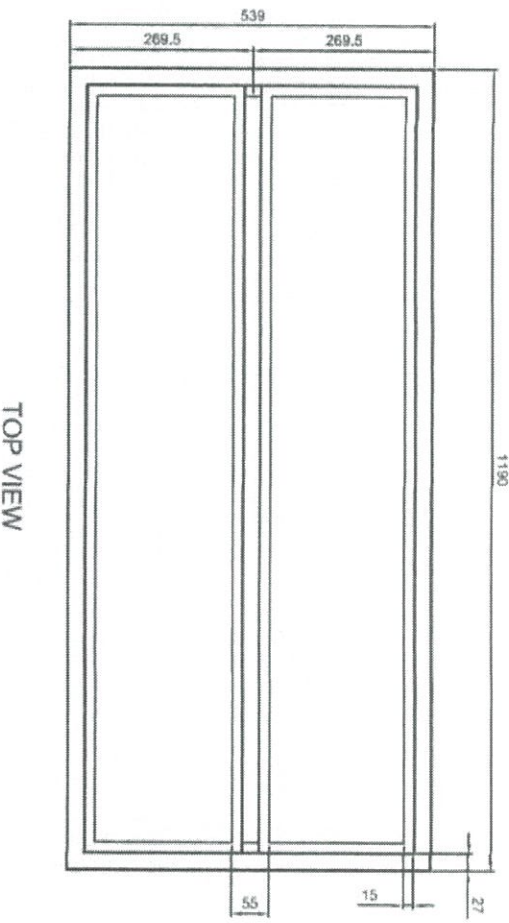
TOLERANCES FOR RADIUS & CHAMFERS

Grade of Accuracy	Maximal Size	Over	Over	Over	Over
Medium	0.5 to 3	+0.20	+0.50	+0.70	+1.00
	3 to 6	+0.30	+0.70	+1.00	+1.50
Fine	0.5 to 3	+0.15	+0.35	+0.50	+0.75
	3 to 6	+0.20	+0.45	+0.60	+0.90



Date	JUNE 2017	Scale	(NTS)
Designed by	B. C. Lisondra	QC. Checked by	R. H. Meri
Recommended by	R. C. Zaitoza/M. S. Maguillas	Approved by	R. C. La Rosa
Item Name	DOOR DETAIL	Sheet	05
Material	1mm THICK COLD-ROLLED STEEL SHEET	File name	CABINET DESIGN 1

DepED-BLR



SECTION VIEW

GOVERNMENT PROPERTY

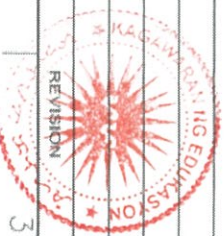
- NOTES:**
1. All dimensions are in millimeter unless otherwise specified
 2. Remove burrs and sharp edges.

TOLERANCES FOR LENGTH GAUGING

Grade of Accuracy	Nominal Size	Over	Over	Over	Over
Medium	0.5 to 3	+0.10	0 to 30	0 to 30	120 to 400

TOLERANCES FOR RADII & CHAMFERS

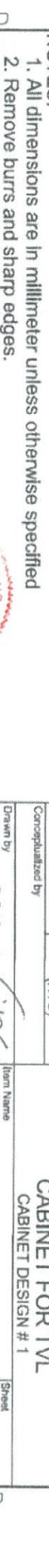
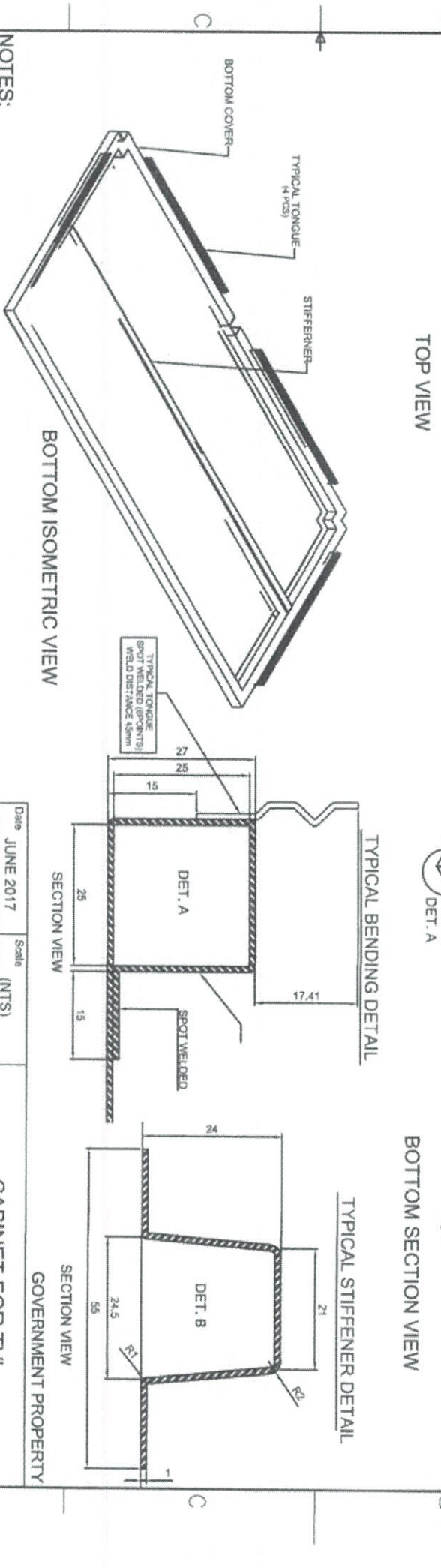
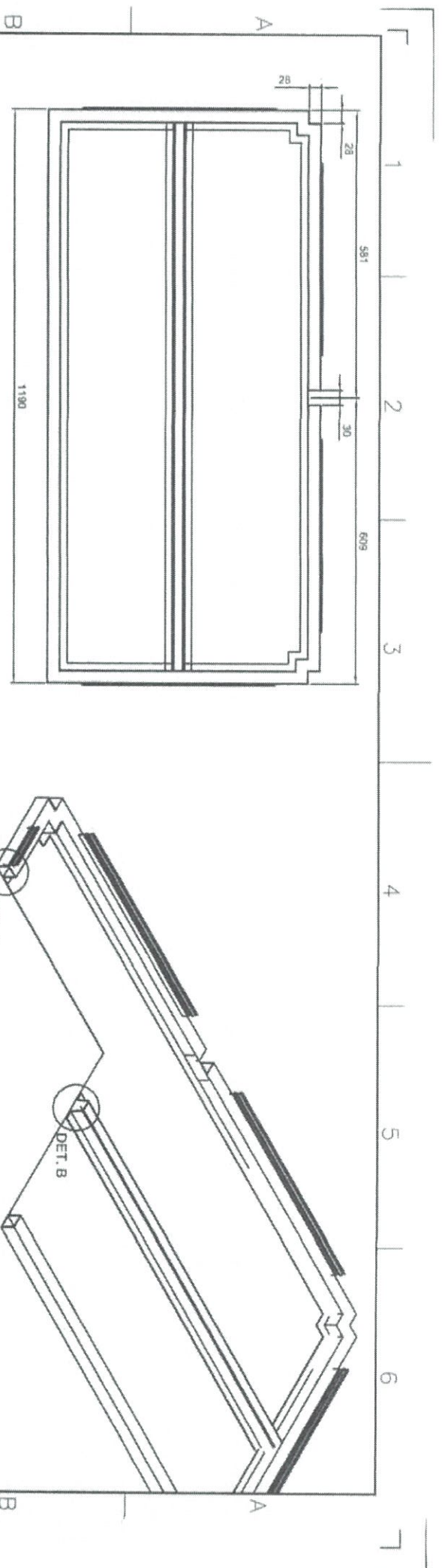
Grade of Accuracy	Nominal Size	Over	Over	Over	Over
Smooth	0.5 to 3	+0.30	0 to 30	0 to 30	30 to 120
Medium					



DATE	BY
JUNE 2017	B. C. Lisondra

Date	JUNE 2017	Scale	(NTS)
Drawn by	B. C. Lisondra	Q.C. Checked by	R. H. Meri
Designed by	B. C. Lisondra	Recommended by	R. C. Zardoya/M. S. Madulas
Approved by	R. C. La Rosa		

Item Name	TYPICAL SHELF DETAIL	Sheet	06
Material	1mm THICK COLD-ROLLED STEEL SHEET	File name	CABINET DESIGN 1
DepED-BLR			



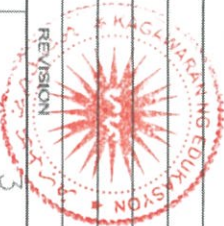
NOTES:
 1. All dimensions are in millimeter unless otherwise specified
 2. Remove burrs and sharp edges.

TOLERANCES FOR LENGTH GAUGING

Grade of Accuracy	Number of Size	Over	Over	Over	Over
Maximum	0.5 to 3	+0.10	+0.10	+0.20	+0.30
Medium	3 to 6	+0.10	+0.10	+0.20	+0.30
Minimum	6 to 30	+0.10	+0.10	+0.20	+0.30
	30 to 120	+0.10	+0.10	+0.20	+0.30
	120 to 400	+0.10	+0.10	+0.20	+0.30

TOLERANCES FOR RADII & CHAMFERS

Grade of Accuracy	Number of Size	Over	Over	Over	Over
Maximum	0.5 to 3	+0.20	+0.20	+0.40	+0.60
Medium	3 to 6	+0.20	+0.20	+0.40	+0.60
Minimum	6 to 30	+0.20	+0.20	+0.40	+0.60
	30 to 120	+0.20	+0.20	+0.40	+0.60



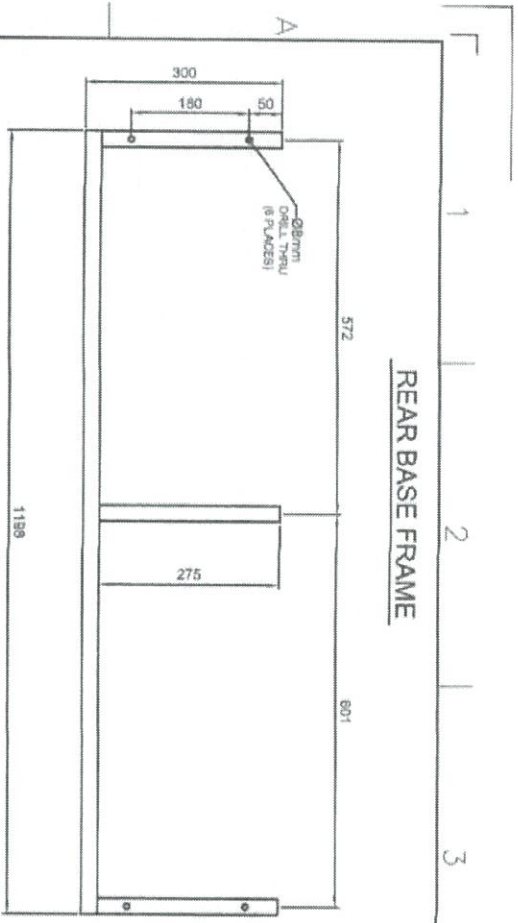
Date	JUNE 2017	Scale	(NTS)
Conceptualized by			
Drawn by	B. C. Lisandra	Q.C. Checked by	
Designed by	B. C. Lisandra	R.H. Neri	
Recommended by	R. C. Zaragosa/M.S. Maculias		
Approved by	R. C. La Rosa		

Item Name: **BOTTOM COVER DETAIL**
 Material: **1mm THICK COLD-ROLLED STEEL SHEET**

Sheet: **07**
 File name: **CABINET DESIGN 1**

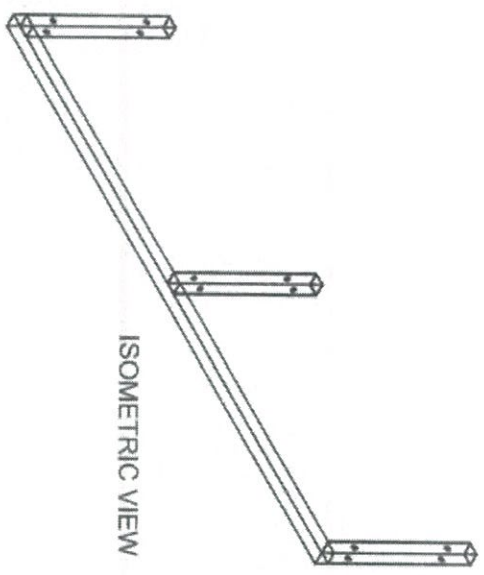
CABINET FOR TVL
CABINET DESIGN # 1

DepED-BLR

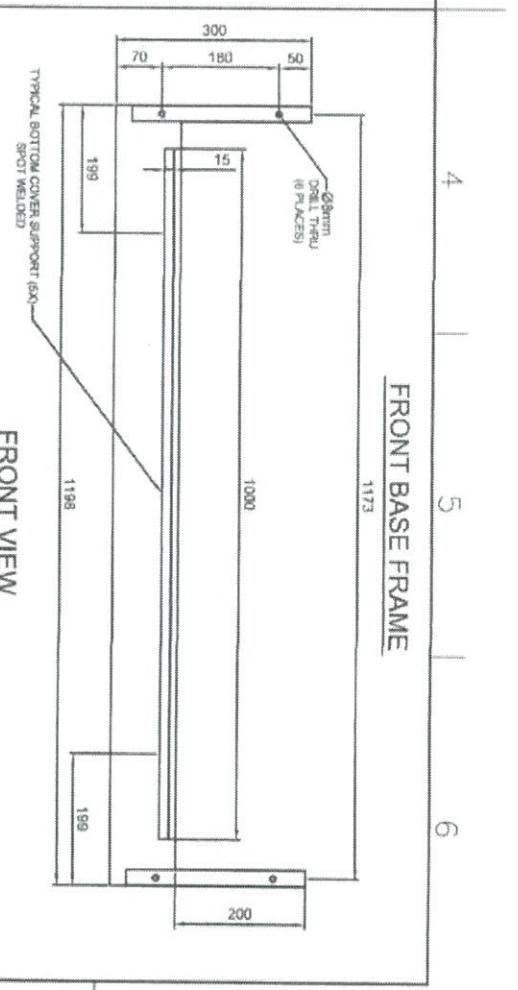


REAR BASE FRAME

FRONT VIEW

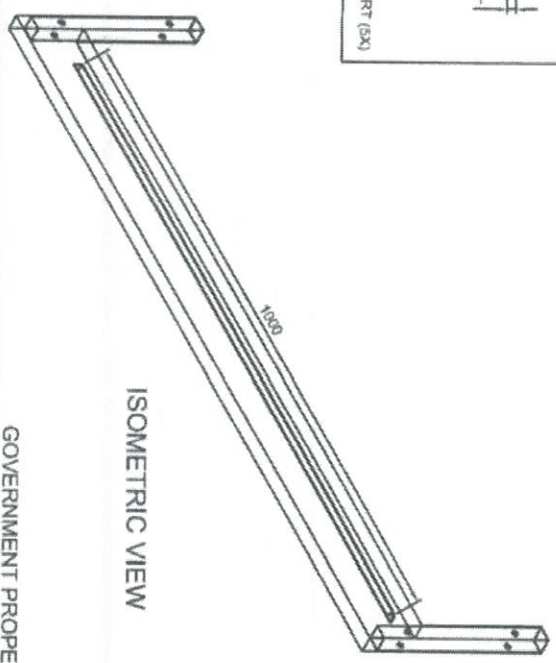


ISOMETRIC VIEW

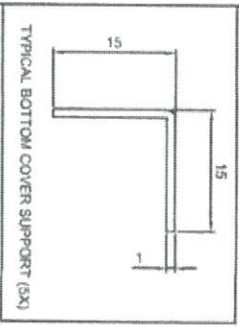


FRONT BASE FRAME

FRONT VIEW



ISOMETRIC VIEW



TYPICAL BOTTOM COVER SUPPORT (5X)

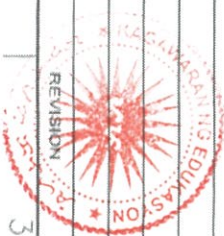
- NOTES:**
1. All dimensions are in millimeter unless otherwise specified
 2. Remove burrs and sharp edges.

TOLERANCES FOR LENGTH GAUGING

Grade of Accuracy	Allowance	Over Size	Over 6 to 30	Over 30 to 120	Over 120 to 400
Absolut	+0.10	+0.10	+0.20	+0.30	+0.50
Grade of Accuracy	0.5 to 3	3 to 6	6 to 30	30 to 120	120 to 400

TOLERANCES FOR RADIUS & CHAMFERS

Grade of Accuracy	Allowance	Over 0.5 to 3 <th>Over 3 to 6 <th>Over 6 to 30 <th>Over 30 to 120 </th></th></th>	Over 3 to 6 <th>Over 6 to 30 <th>Over 30 to 120 </th></th>	Over 6 to 30 <th>Over 30 to 120 </th>	Over 30 to 120
Minimum	+0.25	+0.50	+1.00	+2.00	
Grade of Accuracy	0.5 to 3	3 to 6	6 to 30	30 to 120	



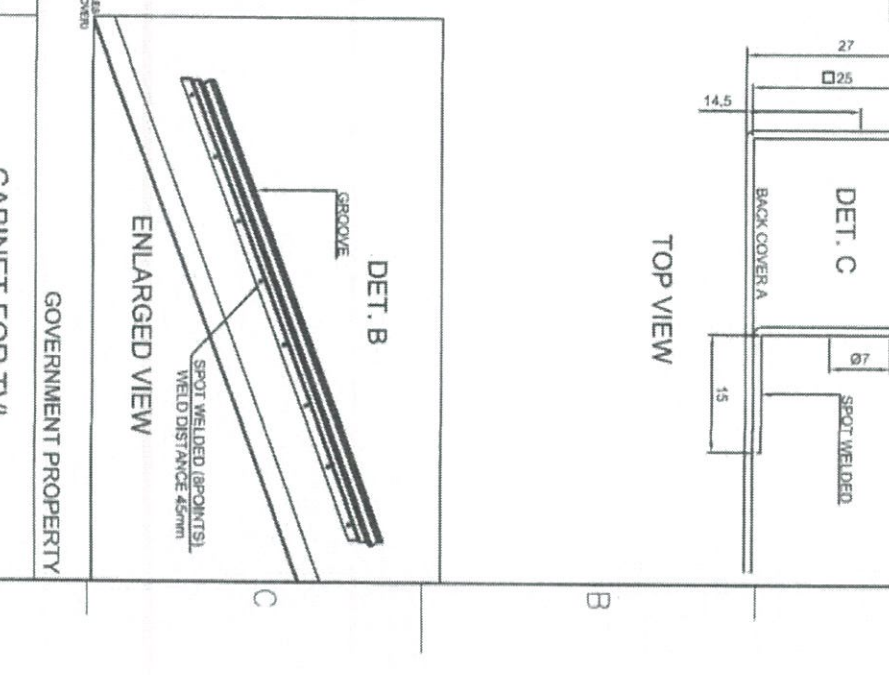
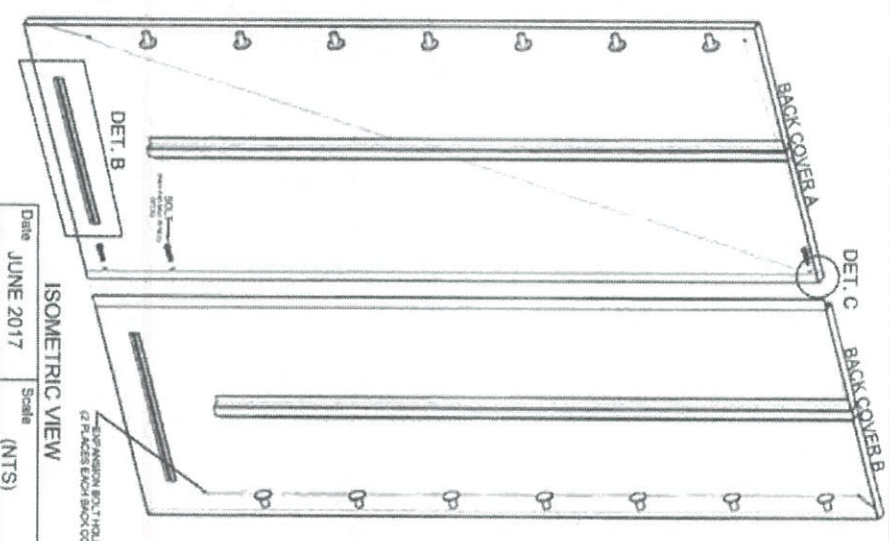
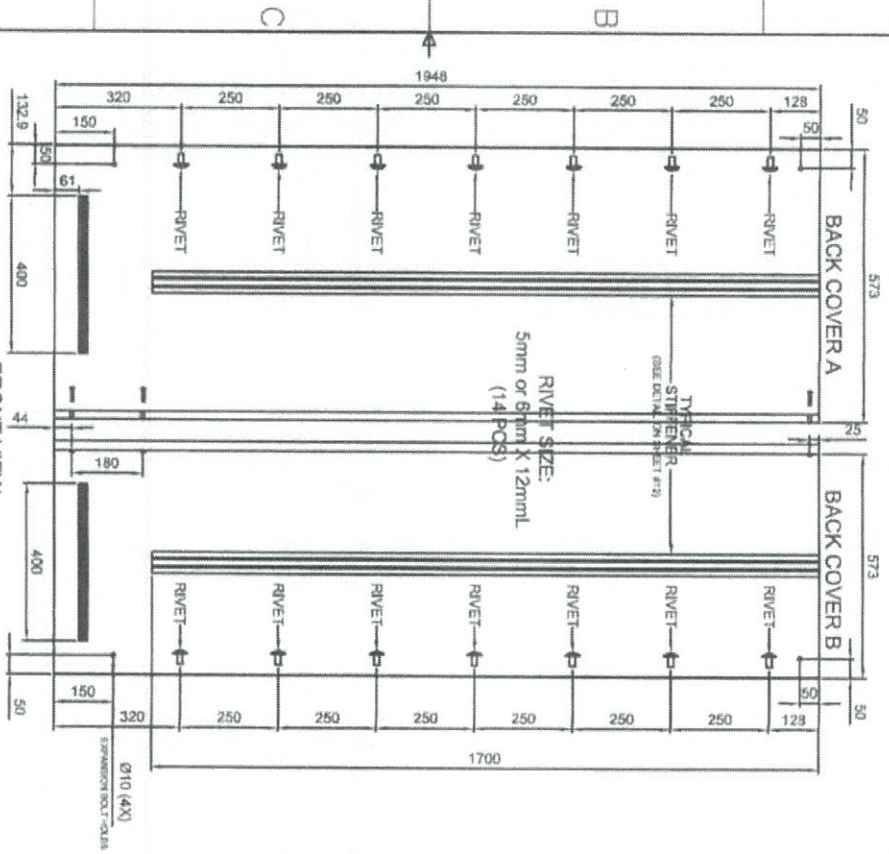
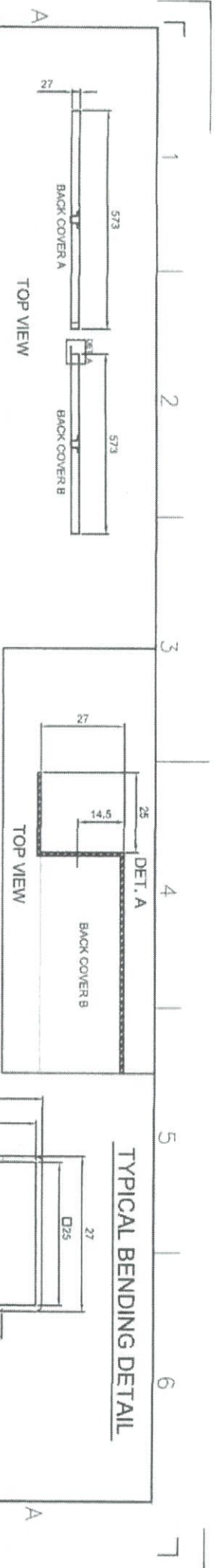
REVISION	DATE	BY

Date	JUNE 2017	Scale	(NTS)
Conceptualized by			
Drawn by	B C Lisondra	Checked by	
Designed by	B C Lisondra	Q.C. Checked by	
Recommended by	R.H. Neri		
Approved by	R. C. Zangozam/S. Macquillas		
	R. C. La Rosa		

Item Name	BASE FRAMES DETAIL	Sheet	08
Material	THICK COLD-ROLLED STEEL SHEET	File name	CABINET DESIGN 1

GOVERNMENT PROPERTY

DepED-BLR



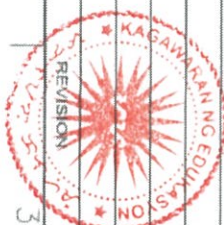
NOTES:
 1. All dimensions are in millimeter unless otherwise specified.
 2. Remove burrs and sharp edges.

TOLERANCES FOR LENGTH GAUGING

Grade of Accuracy	Normal Size	Over 3 to 30	Over 30 to 120	Over 120 to 400
Medium	± 0.10	+ 0.10	+ 0.20	+ 0.50

Grade of Accuracy	Normal Size	Over 3 to 30	Over 30 to 120	Over 120 to 400
Medium	± 0.10	+ 0.10	+ 0.20	+ 0.50

Grade of Accuracy	Normal Size	Over 3 to 30	Over 30 to 120	Over 120 to 400
Medium	± 0.10	+ 0.10	+ 0.20	+ 0.50

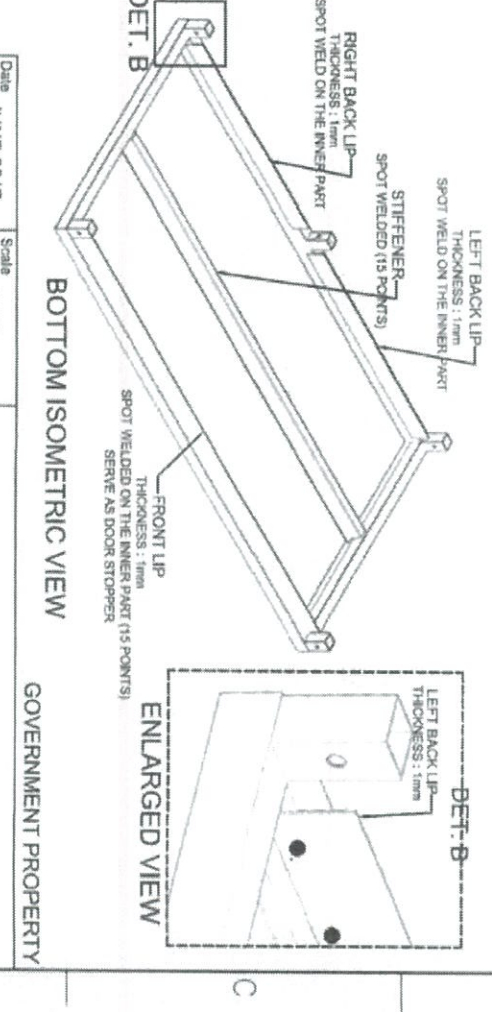
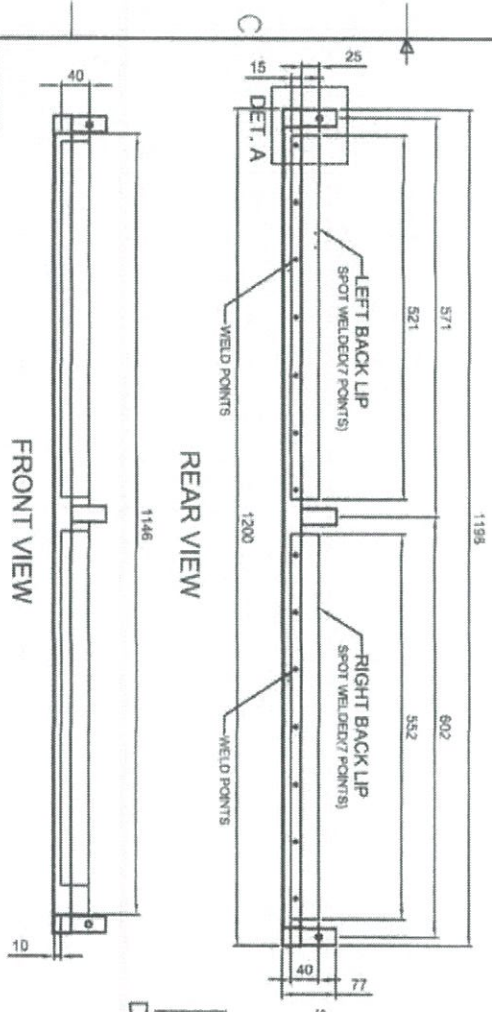
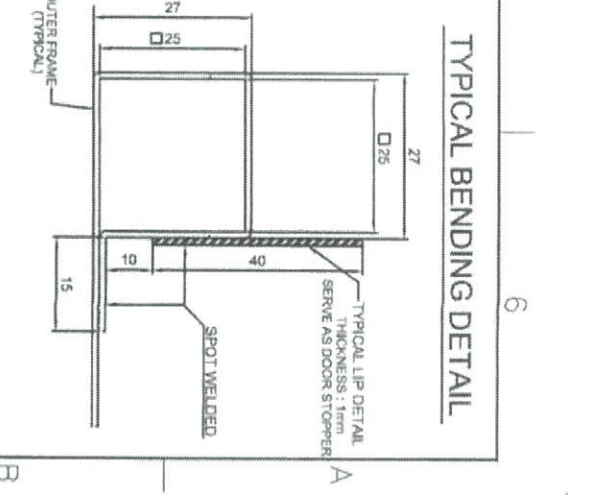
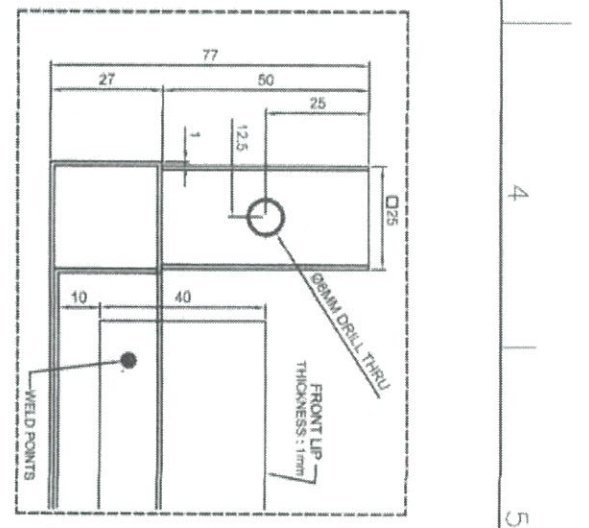
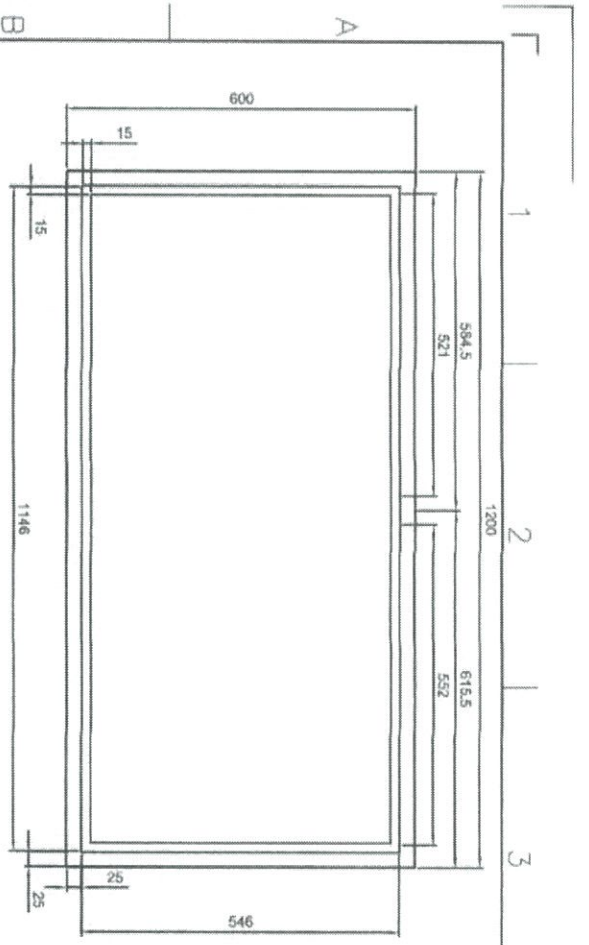


REVISION	DATE	BY

Date	JUNE 2017	Scale	(NTS)
Designed by	B. C. Lisondra	Checked by	R. H. Men
Drawn by	B. C. Lisondra		
Recommended by	R. C. Zafra/Gozam, S. Maculias		
Approved by	R. C. La Rosa		

Item Name: BACK COVER A AND BACK COVER B DETAIL
 Material: THIN THICK COLD-ROLLED STEEL SHEET
 Sheet: 10
 File name: CABINET DESIGN 1

GOVERNMENT PROPERTY
 CABINET FOR TVL
 CABINET DESIGN # 1
 DepED-BLR



- NOTES:**
1. All dimensions are in millimeter unless otherwise specified
 2. Remove burrs and sharp edges.

TOLERANCES FOR LENGTH GAUGING

Grade of Accuracy	Nominal Size	Over	Under	Over	Under	Over	Under
Maximum	0.5 to 3	+0.10	-0.20	3 to 6	+0.20	6 to 30	+0.30
	3 to 6	+0.10	-0.20	6 to 30	+0.20	30 to 120	+0.30
Minimum	0.5 to 3	-0.10	-0.20	3 to 6	-0.20	6 to 30	-0.30
	3 to 6	-0.10	-0.20	6 to 30	-0.20	30 to 120	-0.30

TOLERANCES FOR RADII & CHAMFERS

Grade of Accuracy	Nominal Size	Over	Under	Over	Under	Over	Under
Smooth	0.5 to 3	+0.20	-0.50	3 to 6	+0.50	6 to 30	+1.00
	3 to 6	+0.20	-0.50	6 to 30	+0.50	30 to 120	+2.00
Medium	0.5 to 3	+0.20	-0.50	3 to 6	+0.50	6 to 30	+1.00
	3 to 6	+0.20	-0.50	6 to 30	+0.50	30 to 120	+2.00



Date: JUNE 2017 Scale: (NTS)

Conceptualized by: [Signature]

Drawn by: B.C. Lisondra

Checked by: R.H. Nieh

QC Checked by: [Signature]

Recommended by: R.C. Zaragoza, M.S. Maculias

Approved by: R.C. La Rosa

Item Name: TOP COVER DETAIL

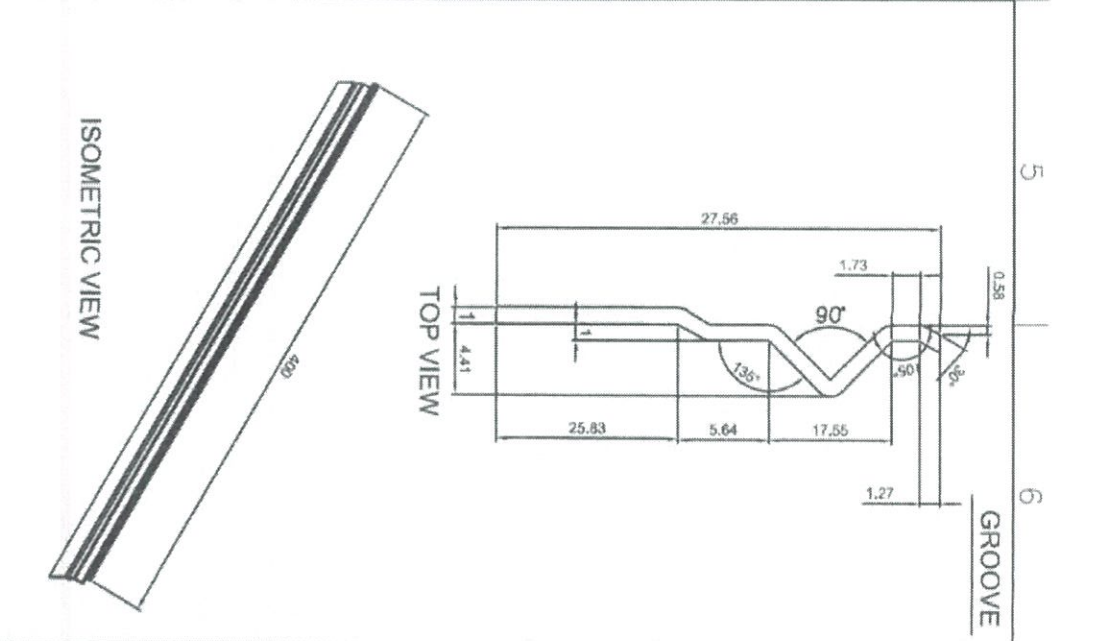
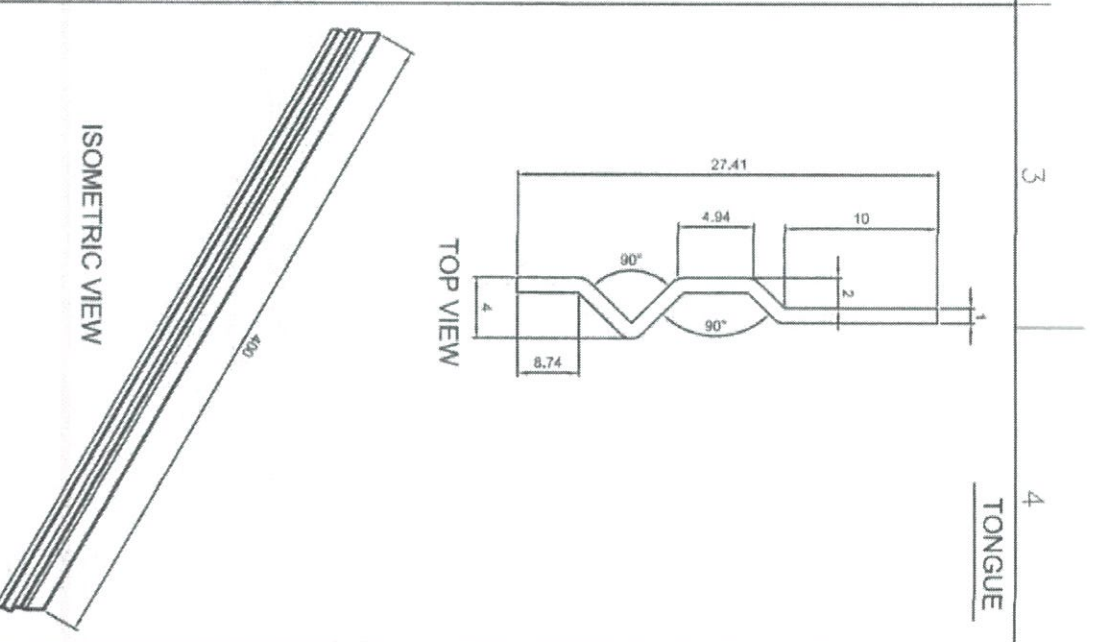
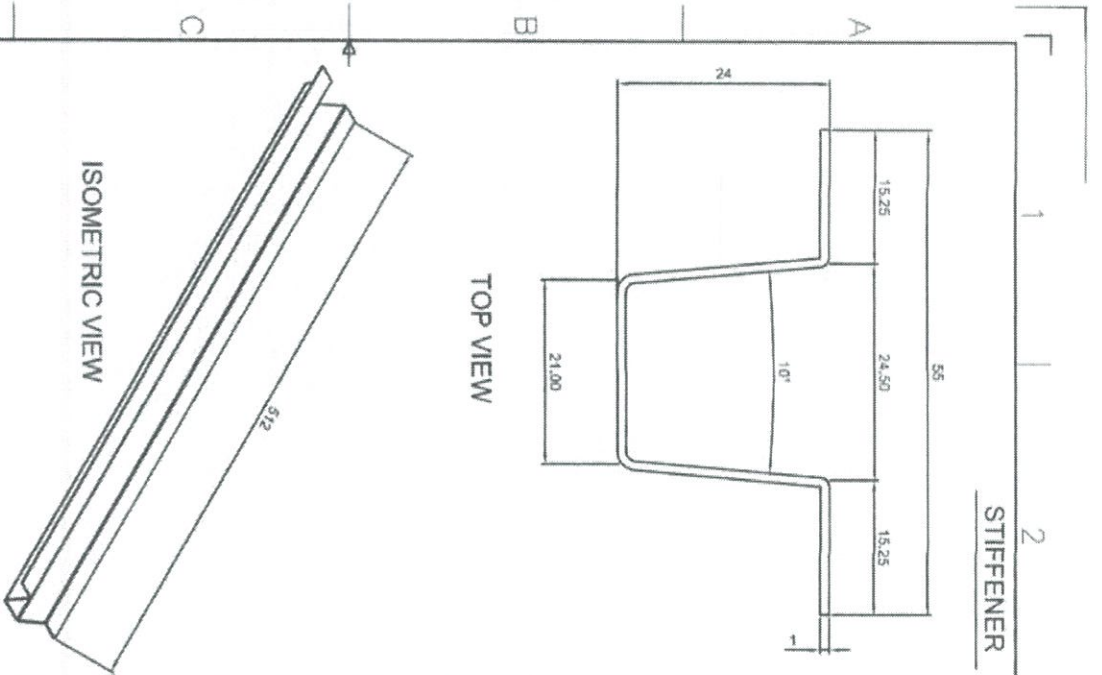
Material: 1mm THICK COLD-ROLLED STEEL SHEET

Sheet: 11

File name: CABINET DESIGN #1

GOVERNMENT PROPERTY

DepED-BLR



NOTES:
 1. All dimensions are in millimeter unless otherwise specified
 2. Remove burrs and sharp edges.

TOLERANCES FOR LENGTH GAUGING

Grade of Accuracy	Nominal Size	Over	Over	Over	Over
Maximum	0.5 to 3	+0.10	+0.20	+0.30	+0.50
	3 to 6	+0.10	+0.20	+0.30	+0.50
Nominal	6 to 30	+0.10	+0.20	+0.30	+0.50
	30 to 120	+0.10	+0.20	+0.30	+0.50
Minimum	120 to 400	+0.10	+0.20	+0.30	+0.50
	400 to 1000	+0.10	+0.20	+0.30	+0.50

TOLERANCES FOR RADII & CHAMFERS

Grade of Accuracy	Nominal Size	Over	Over	Over	Over
Smooth	0.5 to 3	+0.20	+0.50	+1.00	+2.00
	3 to 6	+0.20	+0.50	+1.00	+2.00
Medium	6 to 30	+0.20	+0.50	+1.00	+2.00
	30 to 120	+0.20	+0.50	+1.00	+2.00



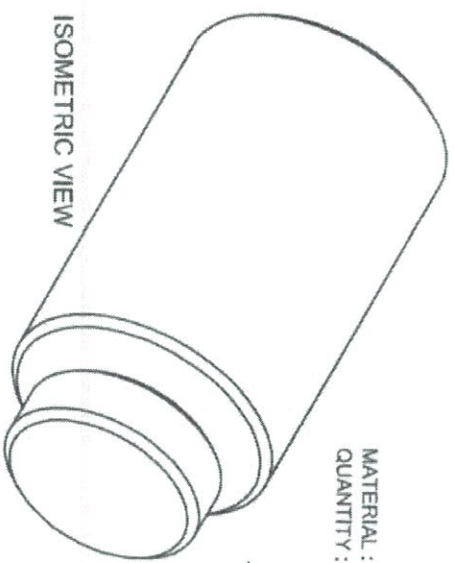
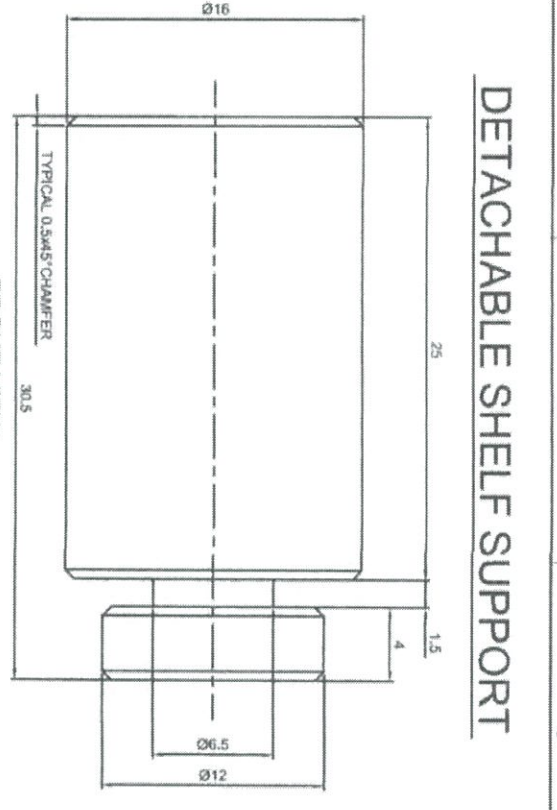
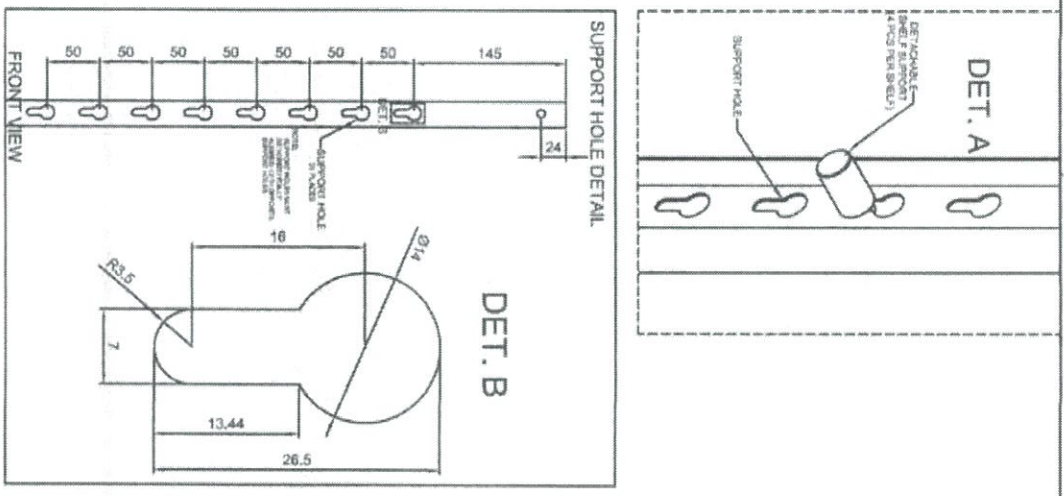
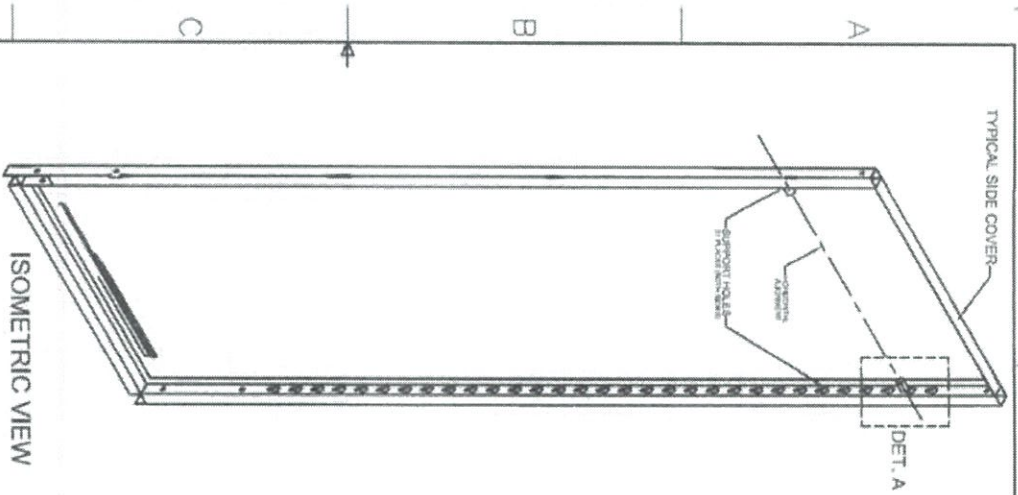
Date: JUNE 2017 Scale: (NTS)
 Computerized by: _____
 Drawn by: B.C. Lisondra
 Checked by: R.H. Meri
 Designed by: B.C. Lisondra
 Q.C. Checked by: _____
 Recommended by: R.C. Zaragoza/M.S. Maculis
 Approved by: R.C. La Rosa

Item Name: CABINET FOR TVL
 CABINET DESIGN # 1
 Material: TYPICAL LOCKING AND REINFORCEMENT DETAIL.
 1mm THICK COLD-ROLLED STEEL SHEET
 Sheet File name: CABINET DESIGN 1
 12



DepED-BLR

GOVERNMENT PROPERTY



MATERIAL : STAINLESS STEEL 304
 QUANTITY : 4 PCS. PER SHELF

GOVERNMENT PROPERTY

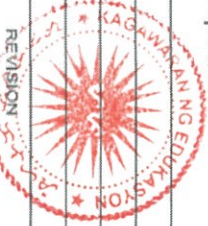
- NOTES:**
1. All dimensions are in millimeter unless otherwise specified
 2. Remove burrs and sharp edges.

TOLERANCES FOR LENGTH GAUGING

Grade of Accuracy	Over	Over	Over	Over
0.5 to 3	± 0.10	± 0.20	± 0.30	± 0.50
3 to 6	± 0.10	± 0.20	± 0.30	± 0.50
6 to 30	± 0.10	± 0.20	± 0.30	± 0.50
30 to 120	± 0.10	± 0.20	± 0.30	± 0.50
120 to 400	± 0.10	± 0.20	± 0.30	± 0.50

TOLERANCES FOR RADIIUS & CHAMFERS

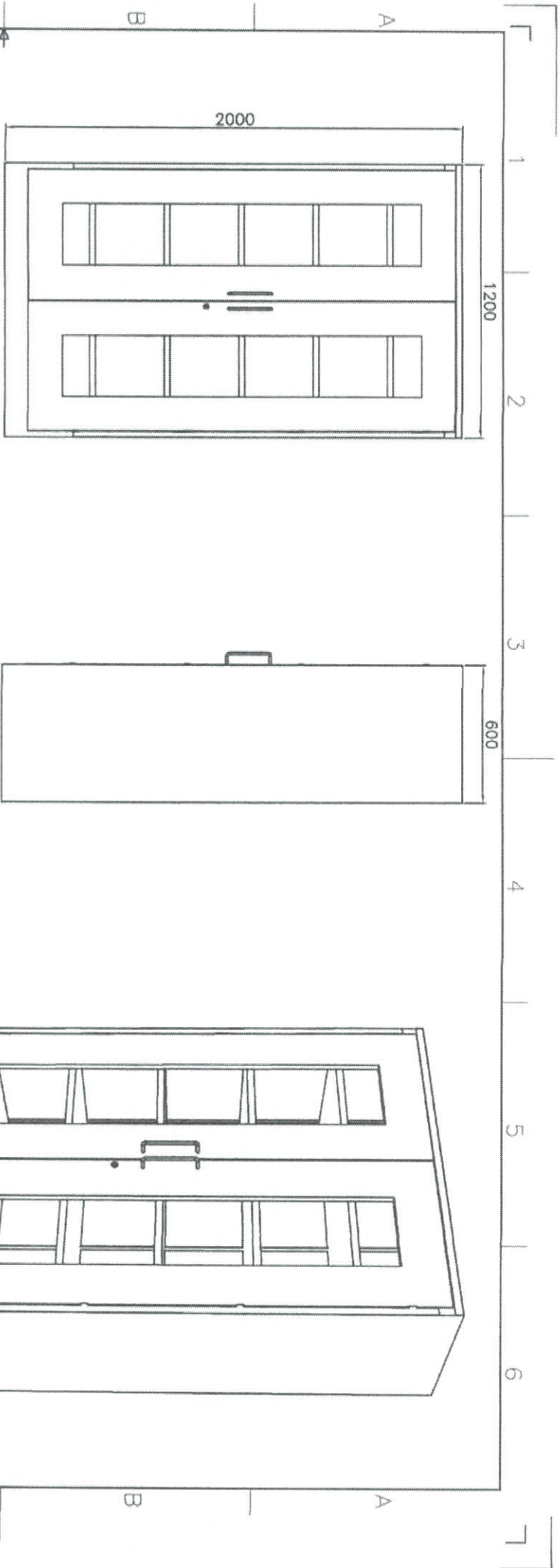
Grade of Accuracy	Over	Over	Over	Over
0.5 to 3	± 0.20	± 0.40	± 0.60	± 1.00
3 to 6	± 0.20	± 0.40	± 0.60	± 1.00
6 to 30	± 0.20	± 0.40	± 0.60	± 1.00
30 to 120	± 0.20	± 0.40	± 0.60	± 1.00
120 to 400	± 0.20	± 0.40	± 0.60	± 1.00



Date	JUNE 2017	Scale	(NTS)
Conceptualized by			
Drawn by	B C Lisandra	Q.C. Checked by	R.H. Neri
Designed by	B C Lisandra	Recommended by	R. C. Zarapozam, S. Maculias
Approved by	F. C. La Rosa	Item Name	DETACHABLE SHELF SUPPORT PIN
		Material	1mm THICK COLD-ROLLED STEEL SHEET
		Sheet	13
		File name	CABINET DESIGN 1



DepED-BLR



Description :

Finish : Polished
 Material : 1.00mm Thick Stainless Steel 304 Sheet, 6mm thick Flex-Glass Door
 Size : 2.0 meters x 1.20 meters x 0.6 meters
 Feature : Durable and Fashionable

About Cabinet:

1. 1.00mm thickness stainless steel 304 sheet then polished.
2. The cabinet body's material is stainless steel 304.
3. 2 Swinging flex-glass doors with 2pcs stainless steel 304 handle bars (10mm diameter Stainless Steel 304 Round Bar x 7in. screw mounted in between center. 1 set (Full door CAM locking system w/ Key), and 4 heavy duty detachable hinges(3 Inches long) on each door.
4. 5 Adjustable and detachable shelves with support set.
5. Locking system will make the assembly sturdy even without the rivets.
6. Cabinet must be mounted on the WALL or FLOOR using 4pcs. M8 x 2 Inches EXPANSION BOLT with washer.
7. Locking system will make the assembly sturdy even without the rivets.
8. Locking system of the collapsible cabinet is subject to approval during sample evaluation.

NOTES:

1. All dimensions are in millimeter unless otherwise specified
2. Remove burrs and sharp edges.

TOLERANCES FOR LENGTH GAUGING

Grade of Accuracy	Nominal Size	Over	Over	Over	Over
Medium	+ 0.10	3 to 6	6 to 30	30 to 120	120 to 400
		+ 0.20	+ 0.30	+ 0.50	+ 0.80

TOLERANCES FOR RADIUS & CHAMFERS

Grade of Accuracy	Nominal Size	Over	Over	Over	Over
Smooth Medium	0.5 to 3	3 to 6	6 to 30	30 to 120	120 to 400
		+ 0.20	+ 0.50	+ 1.00	+ 2.00



Date	Scale	Drawn by	Checked by	Recommended by	Approved by
JUNE 2017	(NTS)	B.C. Lisondra	R.H. Men	R.C. Zaragozam, S. Maquilas	R.C. La Rosa

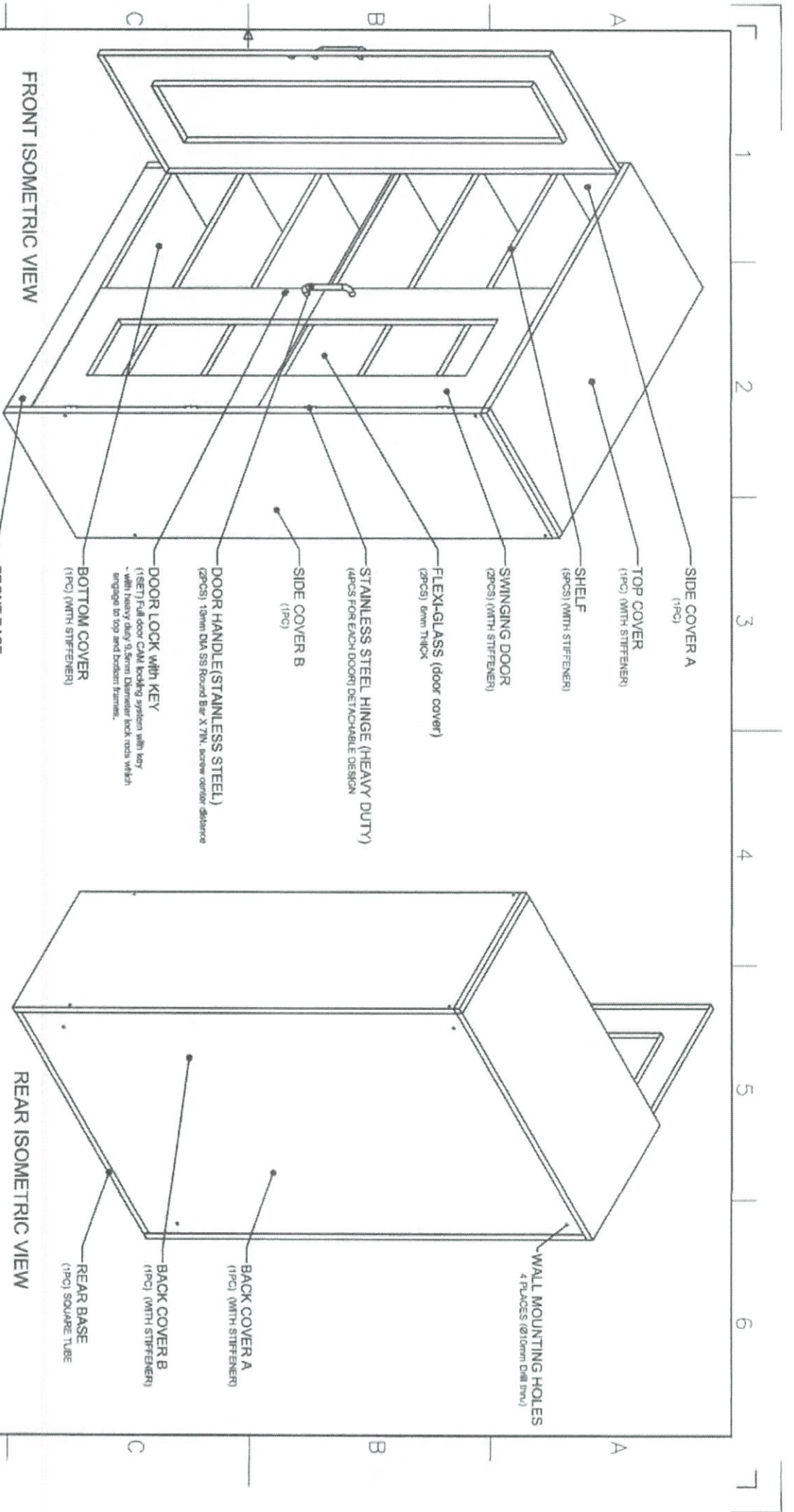
Date	Scale	Drawn by	Checked by	Recommended by	Approved by
JUNE 2017	(NTS)	B.C. Lisondra	R.H. Men	R.C. Zaragozam, S. Maquilas	R.C. La Rosa

GOVERNMENT PROPERTY

CABINET FOR TVL
 CABINET DESIGN # 2

Item Name	Material	Sheet
COLLAPSIBLE STEEL CABINET ASSEMBLY	1mm THICK STAINLESS STEEL 304 SHEET	01
		CABINET DESIGN 2

DepED-BLR



FRONT ISOMETRIC VIEW

REAR ISOMETRIC VIEW

GOVERNMENT PROPERTY

- NOTES:**
1. All dimensions are in millimeter unless otherwise specified
 2. Remove burrs and sharp edges.

TOLERANCES FOR LENGTH GAUGING

Grade of Accuracy	Normal	Over	Over	Over	Over
Medium	± 0.10	+0.10	± 0.20	± 0.30	± 0.50
Accuracy	0.5 to 3	3 to 6	6 to 30	30 to 120	120 to 400

TOLERANCES FOR RADII & CHAMFERS

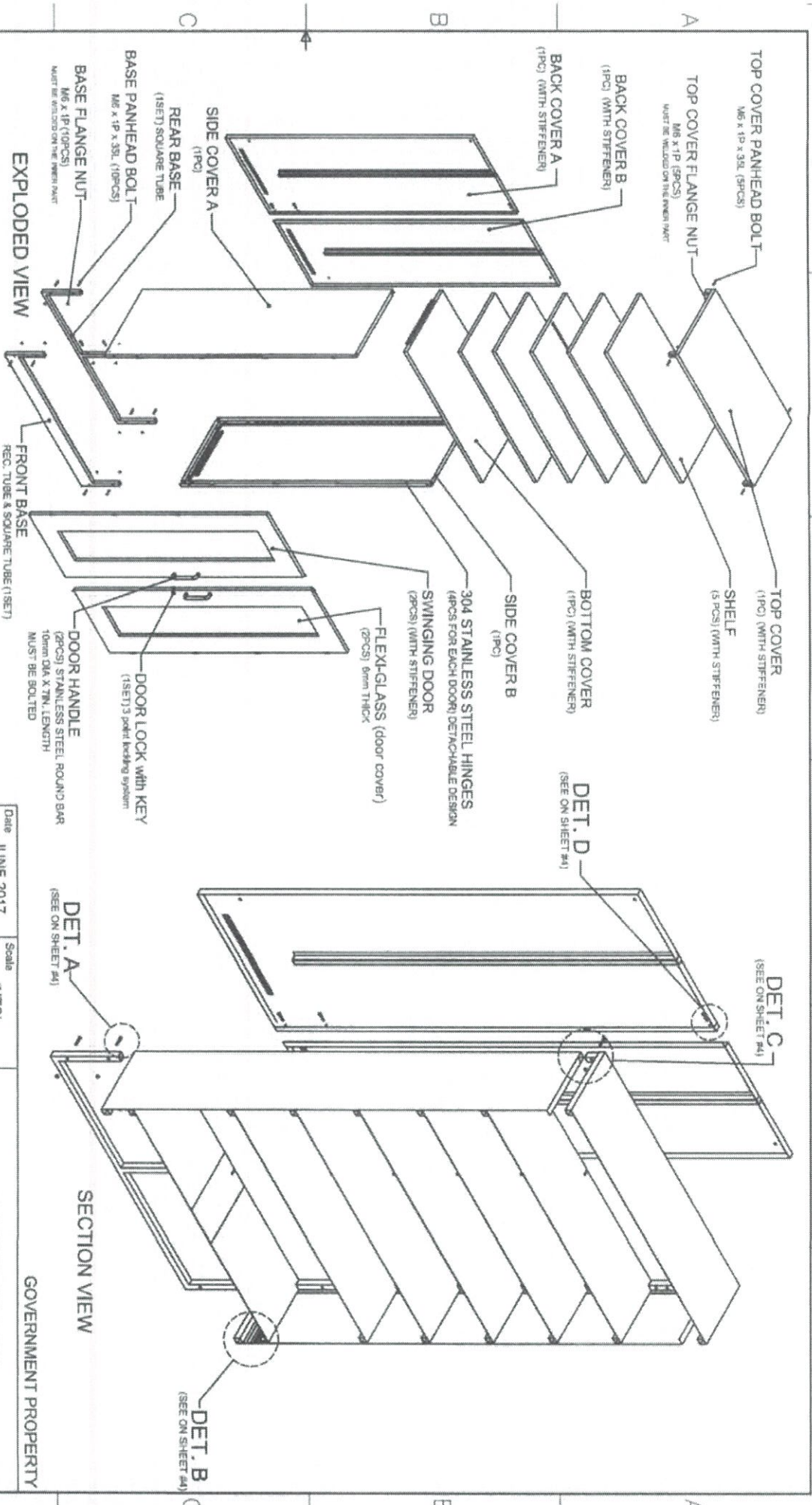
Grade of Accuracy	Normal	Over	Over	Over
Medium	± 0.20	± 0.30	± 0.50	± 1.00
Accuracy	0.2 to 3	3 to 6	6 to 30	30 to 120



Date	JUNE 2017	Scale	(NTS)
Designed by	B C Lisondra	Checked by	R.H. Meri
Drawn by	B C Lisondra	Recommended by	R. C. Zaragzán, S. Maculas
Approved by	R. C. La Rosa	DATE	BY

Item Name	CABINET FOR TVL	Sheet	
Material	COLLAPSIBLE STEEL CABINET ASSEMBLY	File name	
	1mm THICK STAINLESS STEEL 304 SHEET		

DepED-BLR



NOTES:
 1. All dimensions are in millimeter unless otherwise specified
 2. Remove burrs and sharp edges.

TOLERANCES FOR LENGTH GAUGING

Grade of Accuracy	Nominal Size	Over	Over	Over	Over
Medium	0.5 to 3	± 0.10	± 0.10	± 0.20	± 0.50
	3 to 6	± 0.10	± 0.20	± 0.30	± 0.50
Normal	6 to 30	± 0.20	± 0.30	± 0.40	± 0.50
	30 to 120	± 0.30	± 0.40	± 0.50	± 0.50
Smooth	120 to 400	± 0.50	± 0.60	± 0.70	± 0.70
	400 to 1200	± 0.70	± 0.80	± 0.90	± 0.90

TOLERANCES FOR RADIIUS & CHAMFERS

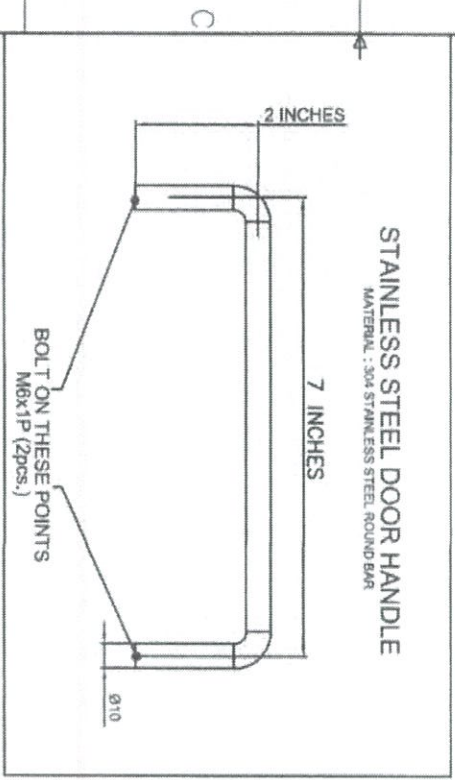
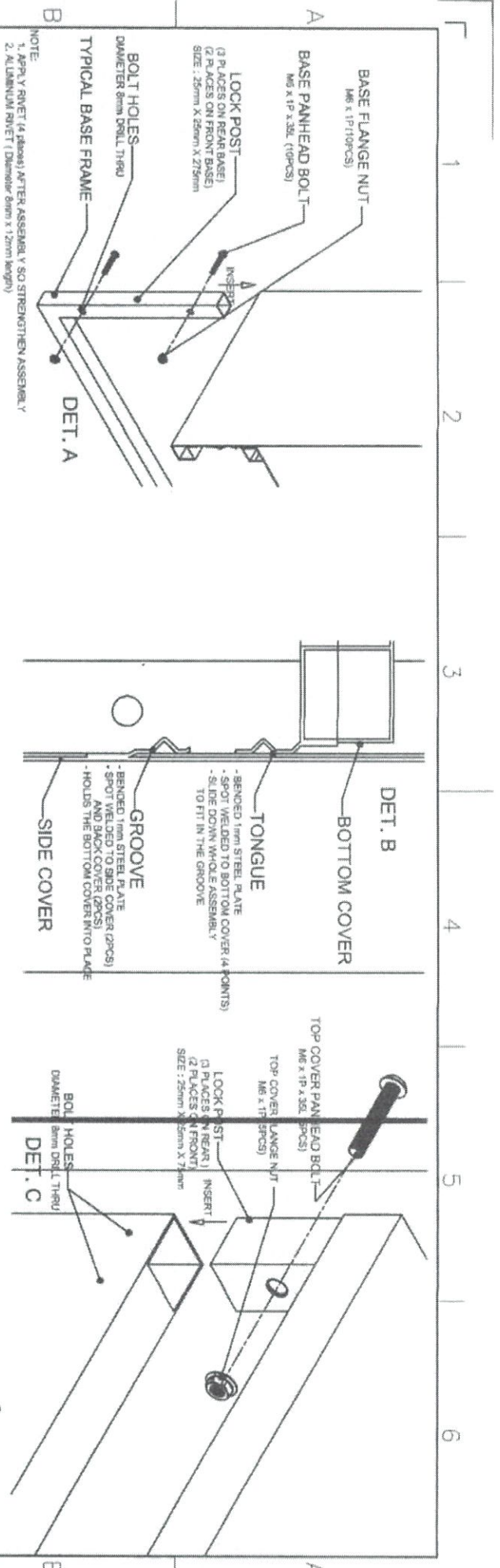
Grade of Accuracy	Nominal Size	Over	Over	Over	Over
Medium	0.5 to 3	± 0.20	± 0.30	± 0.40	± 0.50
	3 to 6	± 0.30	± 0.40	± 0.50	± 0.50
Normal	6 to 30	± 0.40	± 0.50	± 0.60	± 0.60
	30 to 120	± 0.50	± 0.60	± 0.70	± 0.70
Smooth	120 to 400	± 0.70	± 0.80	± 0.90	± 0.90
	400 to 1200	± 0.90	± 1.00	± 1.10	± 1.10



Date	JUNE 2017	Scale	(NTS)
Conceptualized by	B C Lisondra		
Drawn by	B C Lisondra	Checked by	R H Agri
Designed by	B C Lisondra	QC Checked by	R C Zaragozam, S. Maquilas
Recommended by	R C Zaragozam, S. Maquilas	Approved by	R. C. La Rosa
DATE	BY	DATE	BY

Item Name	CABINET FOR TVL	
Material	COLLAPSIBLE STEEL CABINET ASSEMBLY	
Material	1mm THICK STAINLESS STEEL 304 SHEET	
Sheet	03	File name
Sheet	CABINET DESIGN 2	File name

DepED-BLR



NOTES:
1. All dimensions are in millimeter unless otherwise specified
2. Remove burrs and sharp edges.

TOLERANCES FOR LENGTH GAUGING

Grade of Accuracy	Nominal Size	Over	Over	Over	Over
Medium	0.5 to 3	+0.10	+0.20	+0.30	+0.50
	3 to 6	+0.10	+0.20	+0.30	+0.50
Fine	0.5 to 3	+0.05	+0.10	+0.15	+0.20
	3 to 6	+0.05	+0.10	+0.15	+0.20

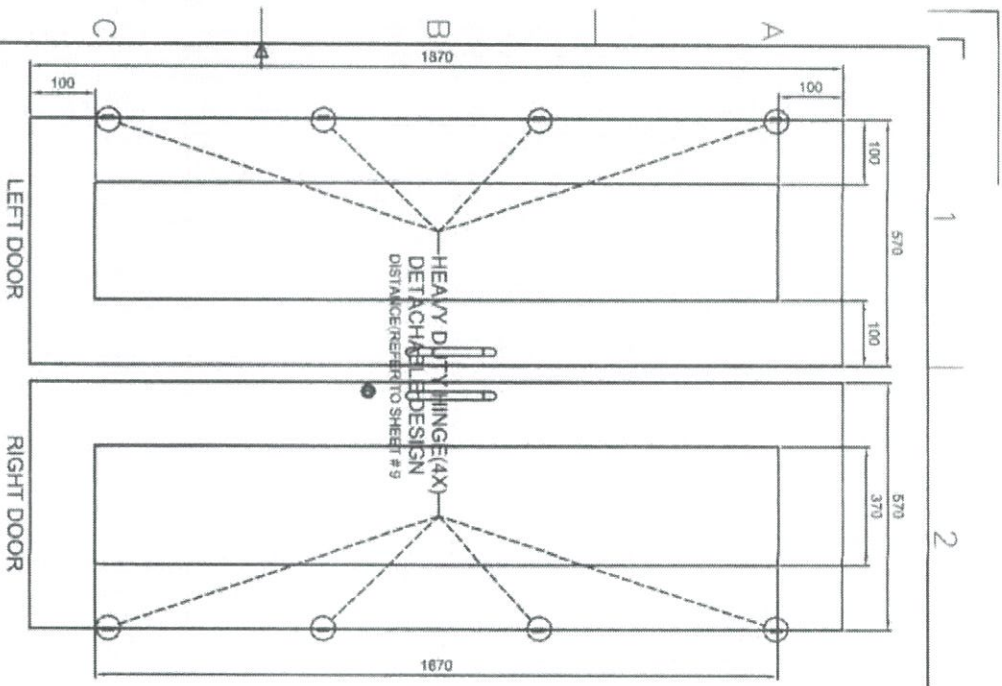
TOLERANCES FOR RADIUS & CHAMFERS

Grade of Accuracy	Nominal Size	Over	Over	Over	Over
Medium	0.5 to 3	+0.10	+0.20	+0.30	+0.50
	3 to 6	+0.10	+0.20	+0.30	+0.50
Fine	0.5 to 3	+0.05	+0.10	+0.15	+0.20
	3 to 6	+0.05	+0.10	+0.15	+0.20

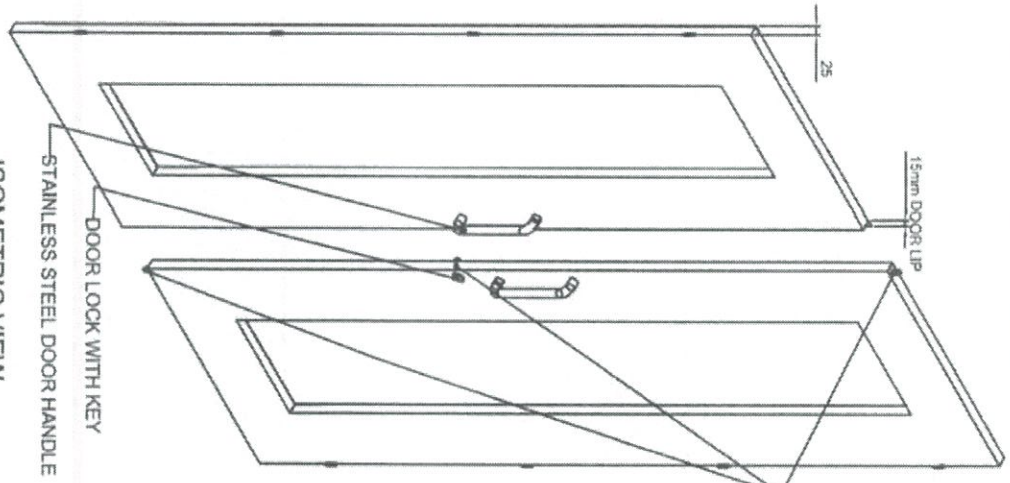


Date	Scale
JUNE 2017	(NTS)
Designed by	Drawn by
B C Libandra	B C Libandra
Checked by	Recommended by
R H Men	R. C. Zaregza, M.S. Maquilas
Approved by	Approved by
R. C. La Rosa	R. C. La Rosa

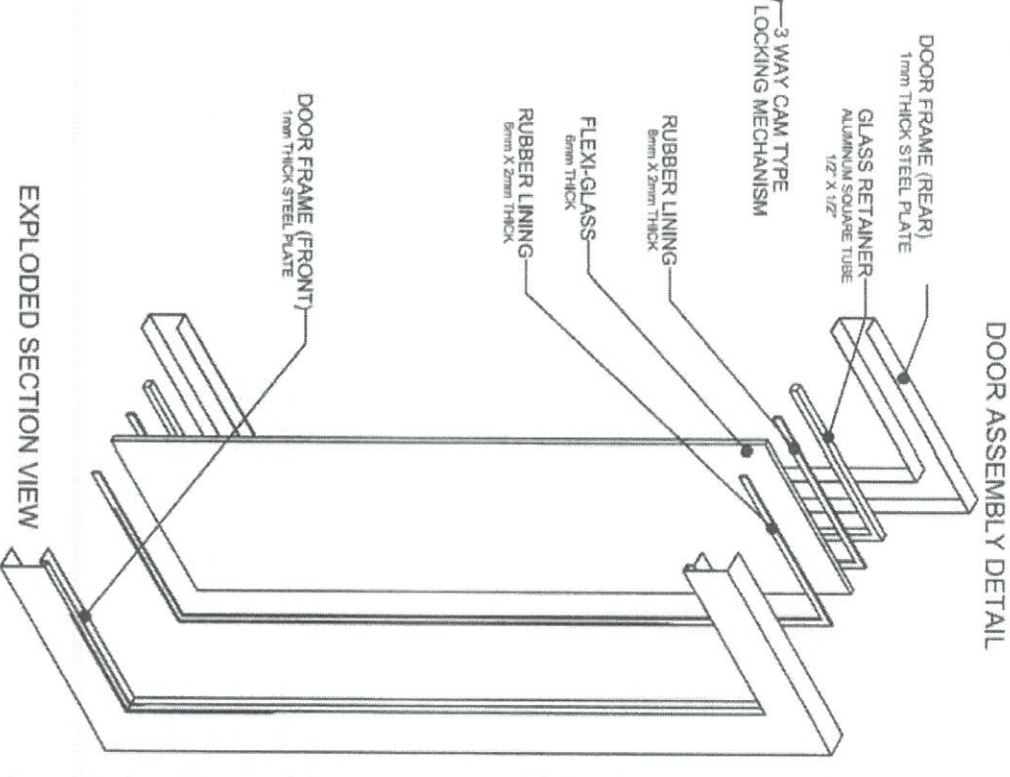
Item Name	Material	Sheet
COLLAPSIBLE STEEL CABINET DETAILS	1mm THICK STAINLESS STEEL 304 SHEET	04
DepED-BLR		



FRONT VIEW



ISOMETRIC VIEW



EXPLODED SECTION VIEW

GOVERNMENT PROPERTY

- NOTES:**
1. All dimensions are in millimeter unless otherwise specified
 2. Remove burrs and sharp edges.

TOLERANCES FOR LENGTH GAUGING

Grade of Accuracy	Nominal Size	Over	Over	Over	Over
Medium	0.5 to 3	+0.10	+0.10	+0.20	+0.50
	3 to 6	+0.10	+0.10	+0.20	+0.50
Fine	6 to 30	+0.05	+0.05	+0.10	+0.20
	30 to 120	+0.05	+0.05	+0.10	+0.20
Extra Fine	120 to 400	+0.02	+0.02	+0.05	+0.10
	400 to 1200	+0.02	+0.02	+0.05	+0.10

TOLERANCES FOR RADIIUS & CHAMFERS

Grade of Accuracy	Nominal Size	Over	Over	Over	Over
Medium	0.5 to 3	+0.20	+0.20	+0.40	+1.00
	3 to 6	+0.20	+0.20	+0.40	+1.00
Fine	6 to 30	+0.10	+0.10	+0.20	+0.50
	30 to 120	+0.10	+0.10	+0.20	+0.50
Extra Fine	120 to 400	+0.05	+0.05	+0.10	+0.20
	400 to 1200	+0.05	+0.05	+0.10	+0.20

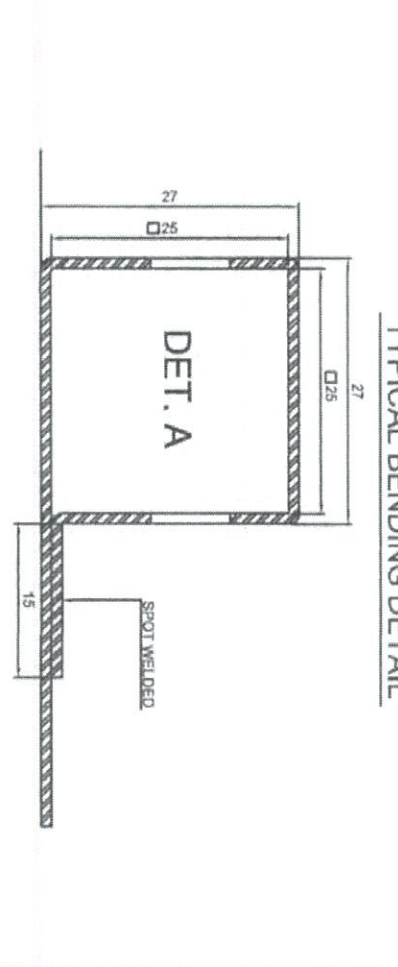
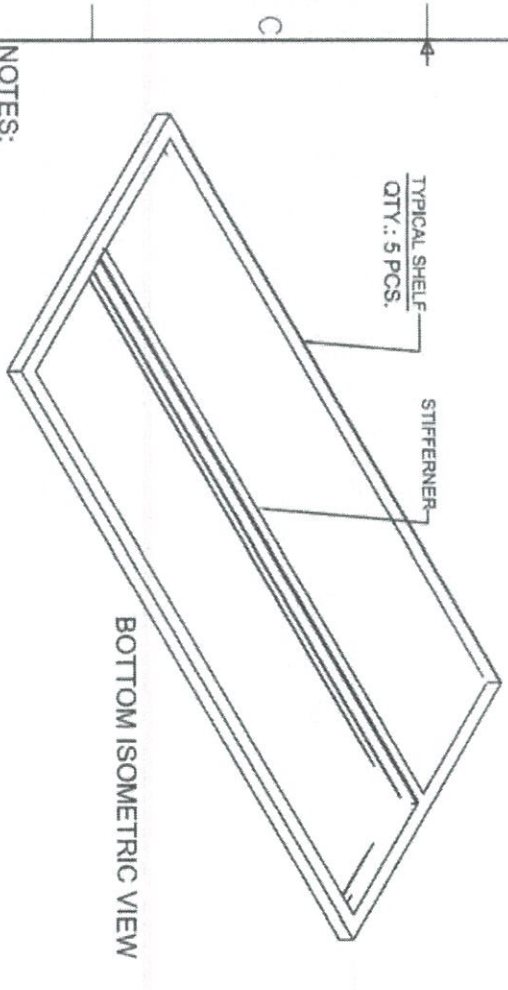
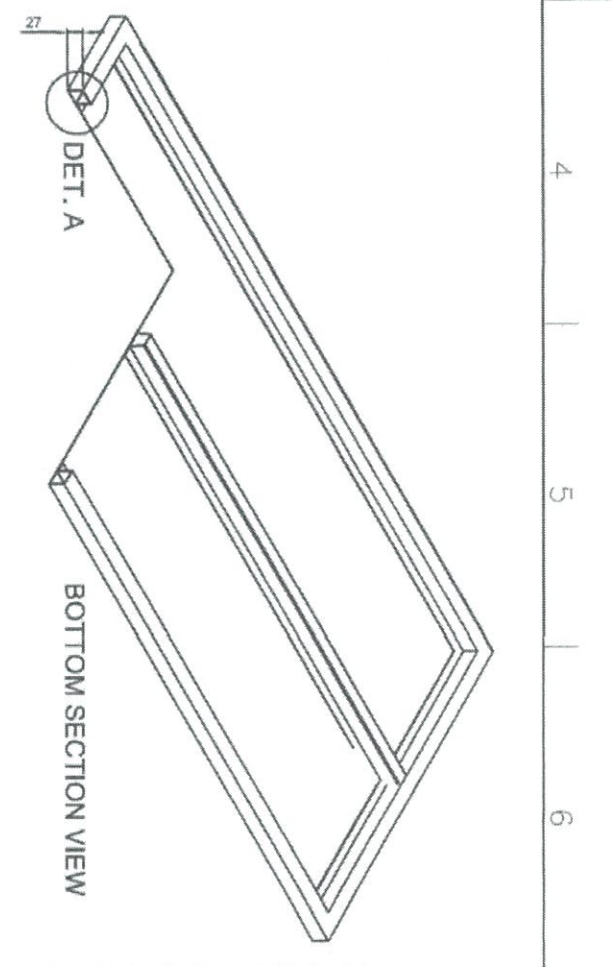
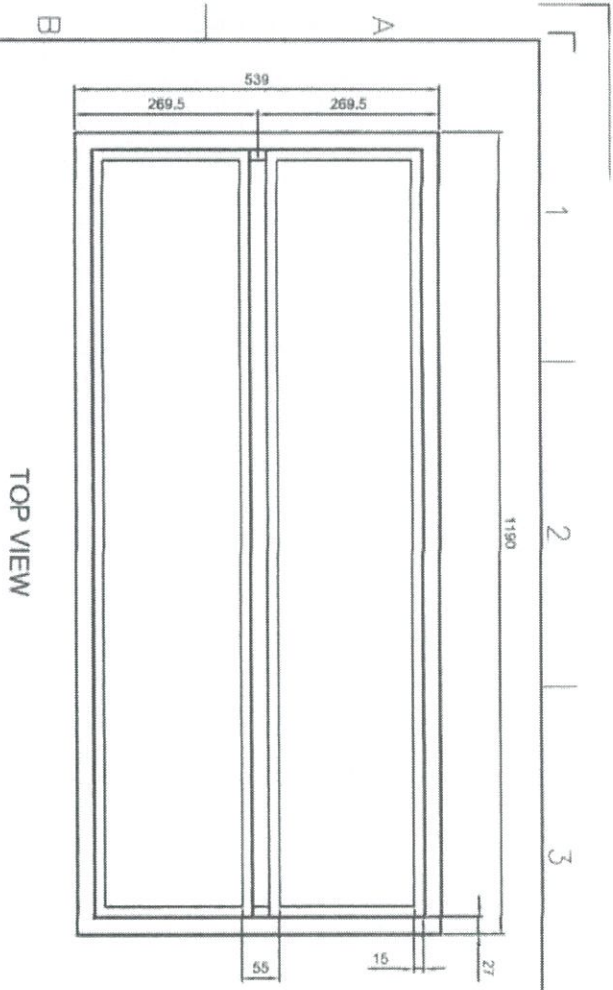


REVISION	DATE	BY

Date	JUNE 2017	Scale	(NTS)
Conceptualized by			
Drawn by	B. C. Lisondra	Checked by	R. H. Merit
Designed by	B. C. Lisondra	Recommended by	R. C. Zaragozam, S. Manquilas
Approved by	R. C. La Rosa		

Item Name	DOOR DETAIL	Sheet	05
Main Detail	1mm THICK STAINLESS STEEL 304 SHEET	File name	CABINET DESIGN 2

DepED-BLR



TYPICAL BENDING DETAIL

GOVERNMENT PROPERTY

- NOTES:**
1. All dimensions are in millimeter unless otherwise specified
 2. Remove burrs and sharp edges.

TOLERANCES FOR LENGTH GAUGING

Grade of Accuracy	Nominal Size	Over	Over	Over	Over
Medium	0.5 to 3	+0.10	+0.10	+0.20	+0.30
	3 to 6				
	6 to 30				
	30 to 120				
	120 to 400				

TOLERANCES FOR RADIUS & CHAMFERS

Grade of Accuracy	Nominal Size	Over	Over	Over	Over
Sheet	0.5 to 3	+0.20	+0.50	+1.00	+2.00
	3 to 6				
	6 to 30				
	30 to 120				

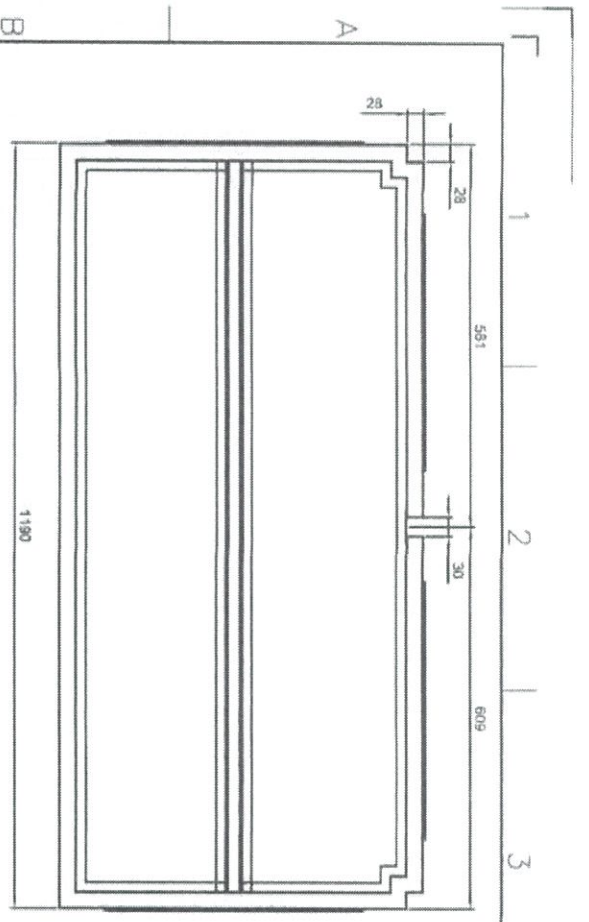


Date	JUNE 2017	Scale	(NTS)
Conceptualized by			
Drawn by	B C Lisondra	Q.C. Checked by	R.H. Neri
Designed by	B C Lisondra	Recommended by	R. C. Zamgoza, M. S. Maquilias
Approved by	R. C. La Rosa		

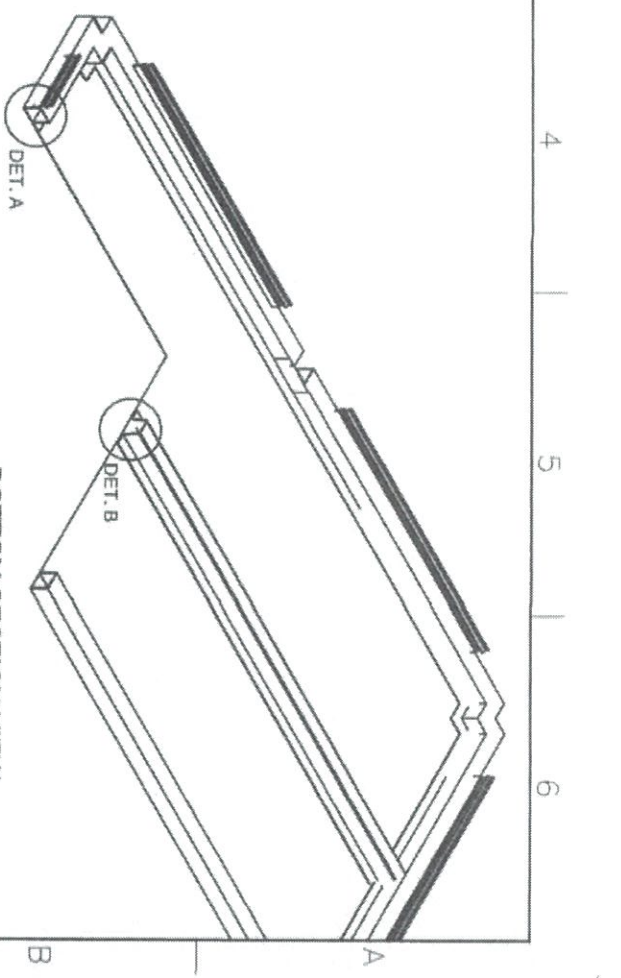
Item Name	CABINET FOR TVL	Sheet	06
Material	TYPICAL SHELF DETAIL	File name	CABINET DESIGN 2
Material	1mm THICK STAINLESS STEEL 304 SHEET		



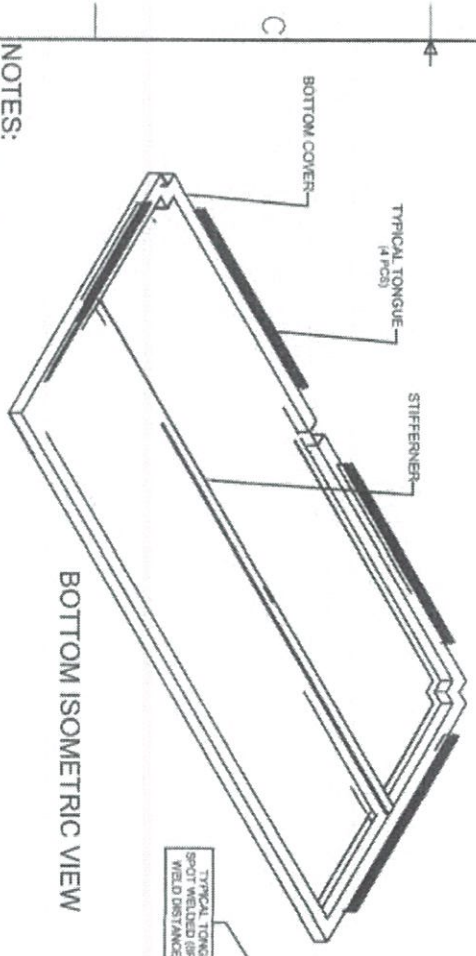
DepED-BLR



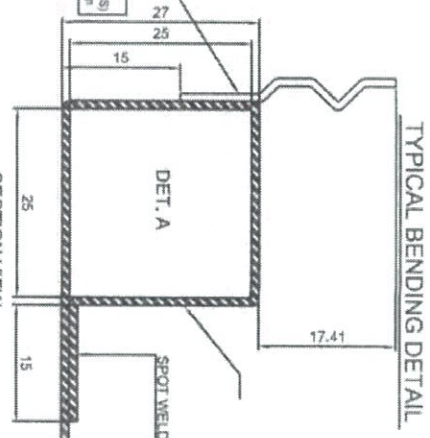
TOP VIEW



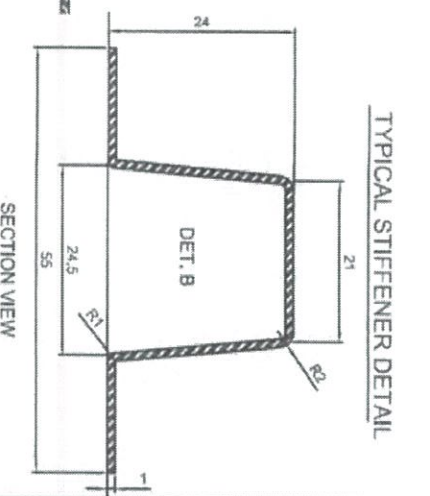
BOTTOM SECTION VIEW



BOTTOM ISOMETRIC VIEW



TYPICAL BENDING DETAIL



TYPICAL STIFFENER DETAIL

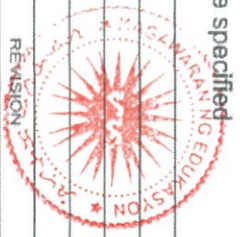
NOTES:
 1. All dimensions are in millimeter unless otherwise specified
 2. Remove burrs and sharp edges.

TOLERANCES FOR LENGTH GAUGING

Grade of Accuracy	Over	Over	Over	Over
Medium	± 0.10	+0.10	+0.20	± 0.30
General Accuracy	0.5 to 3	3 to 6	6 to 30	30 to 120
Accuracy	± 0.10	± 0.10	± 0.20	± 0.30

TOLERANCES FOR RADIUS & CHAMFERS

Grade of Accuracy	Over	Over	Over	Over
Smooth	± 0.20	± 0.50	± 1.00	± 2.00
Accuracy	0.5 to 3	3 to 6	6 to 30	30 to 120
Accuracy	± 0.20	± 0.50	± 1.00	± 2.00



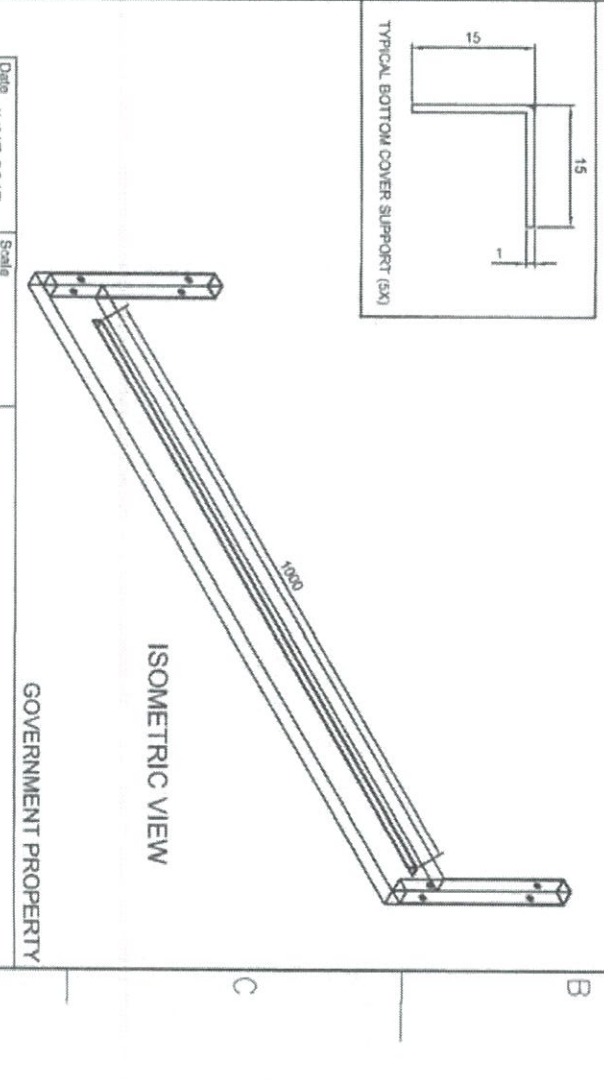
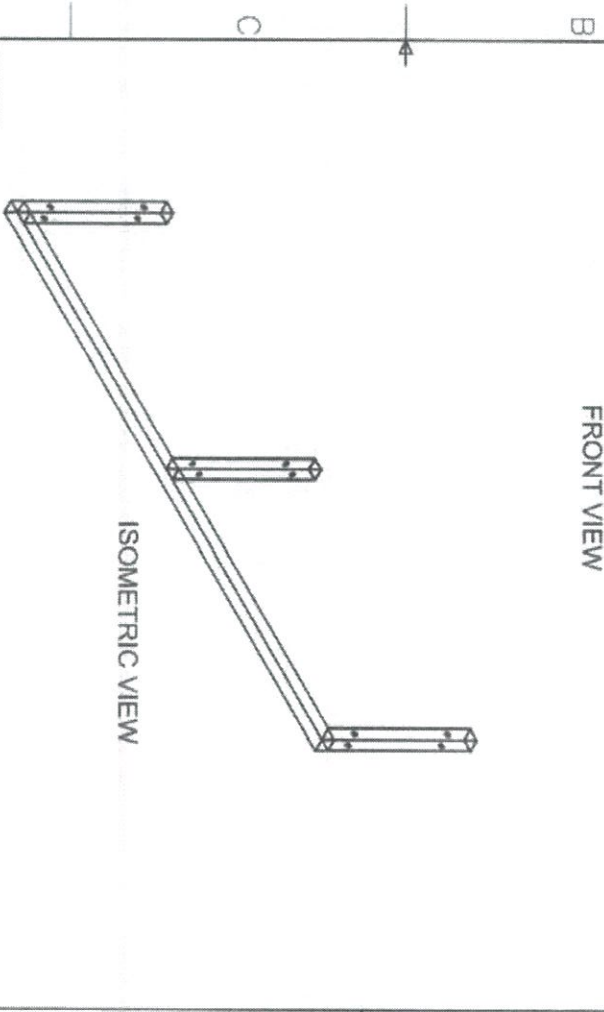
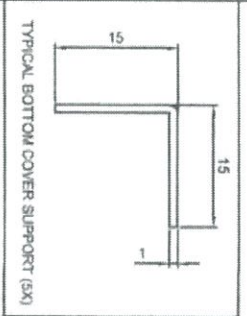
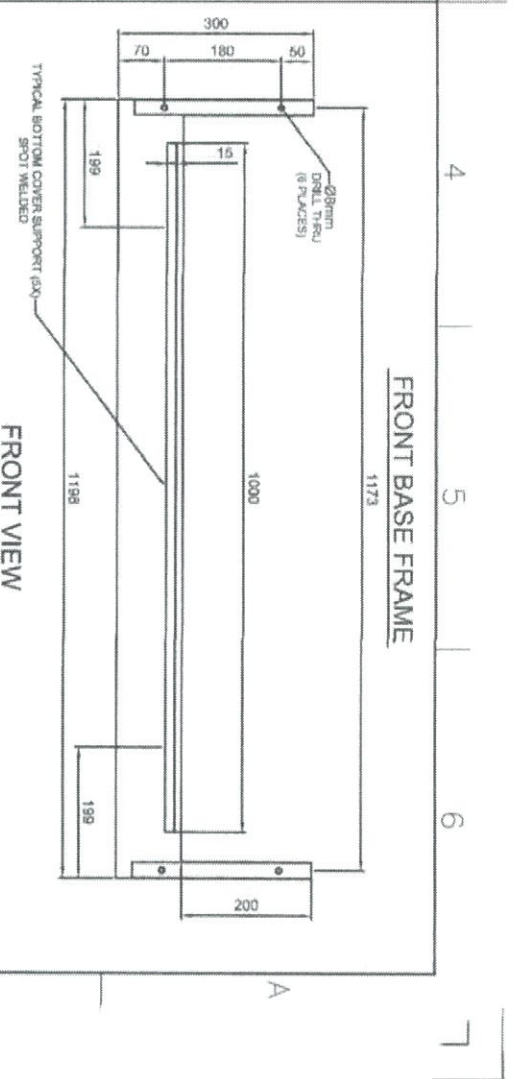
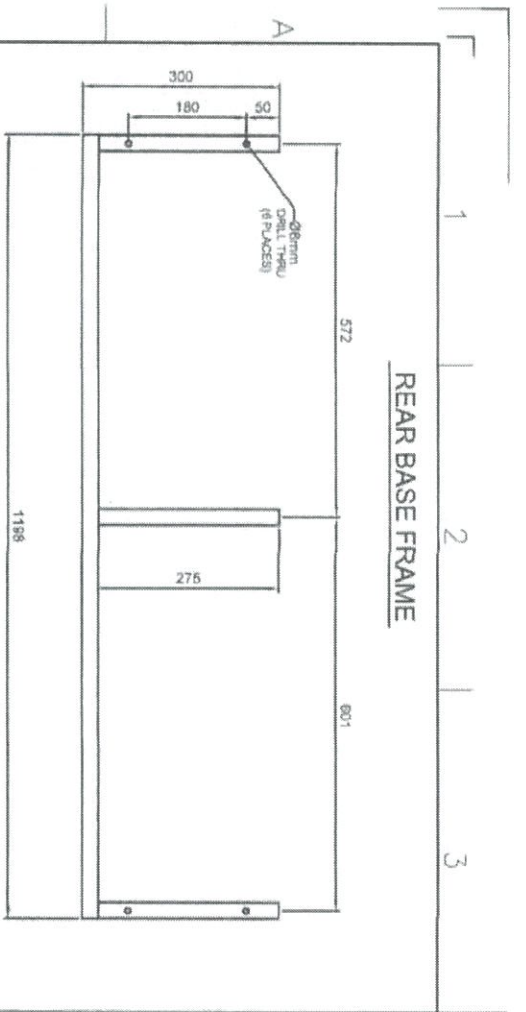
REVISION	DATE	BY

Date	JUNE 2017	Scale	(NTS)
Conceptualized by			
Drawn by	B.C. Lisondra	Checked by	
Designed by	B.C. Lisondra	Q.C. Checked by	
Facilitated by	R.H. Men		
Approved by	R.C. Zaragozam, S. Macquilas		
	R.C. La Rosa		

Item Name	CABINET FOR TVL	Sheet	07
Material	BOTTOM COVER DETAIL	File name	CABINET DESIGN 2
	1mm THICK STAINLESS STEEL 304 SHEET		



DepED-BLR



NOTES:
 1. All dimensions are in millimeter unless otherwise specified.
 2. Remove burrs and sharp edges.

TOLERANCES FOR LENGTH GAUGING

Grade of Accuracy	Over	Over	Over	Over
0.5 to 3	± 0.18	± 0.10	± 0.20	± 0.50
3 to 6	± 0.18	± 0.10	± 0.20	± 0.50
6 to 30	± 0.18	± 0.10	± 0.20	± 0.50
30 to 120	± 0.18	± 0.10	± 0.20	± 0.50
120 to 400	± 0.18	± 0.10	± 0.20	± 0.50

TOLERANCES FOR RADIUS & CHAMFERS

Grade of Accuracy	Over	Over	Over	Over
0.5 to 3	± 0.20	± 0.50	± 1.00	± 2.00
3 to 6	± 0.20	± 0.50	± 1.00	± 2.00
6 to 30	± 0.20	± 0.50	± 1.00	± 2.00
30 to 120	± 0.20	± 0.50	± 1.00	± 2.00



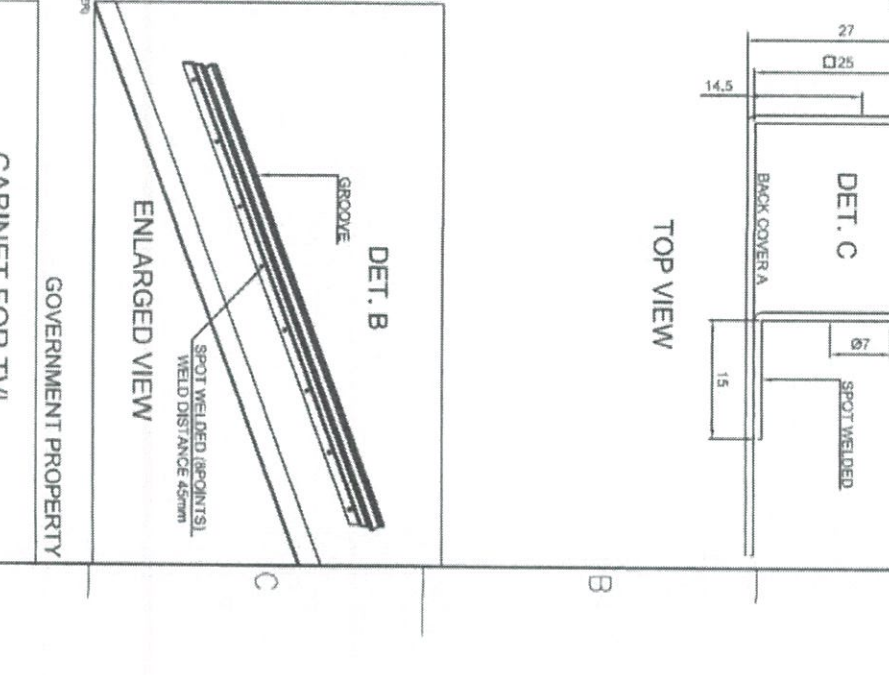
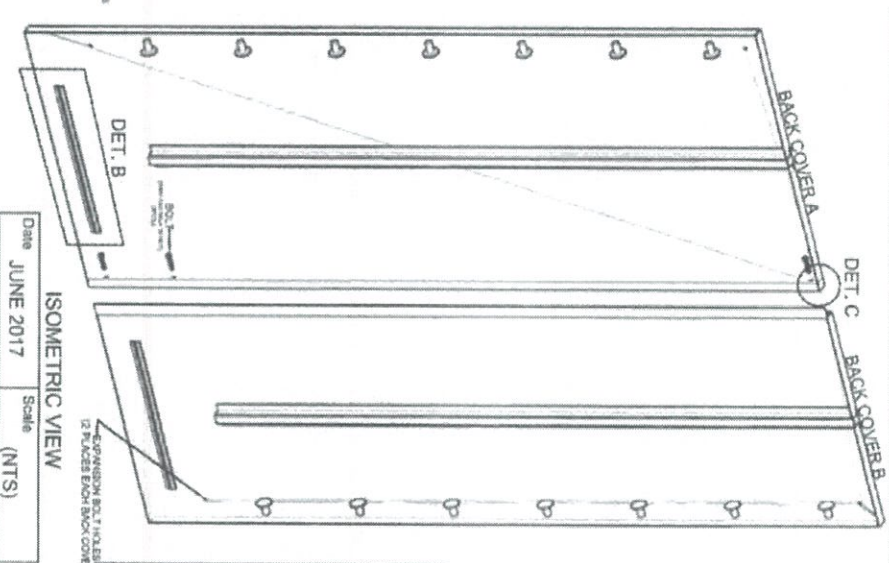
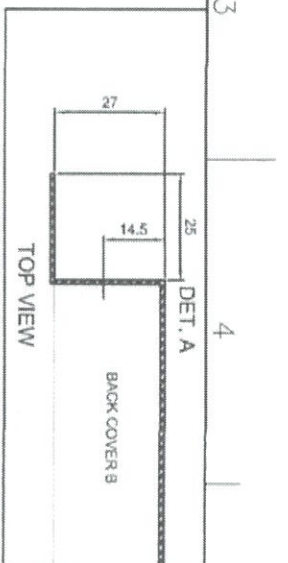
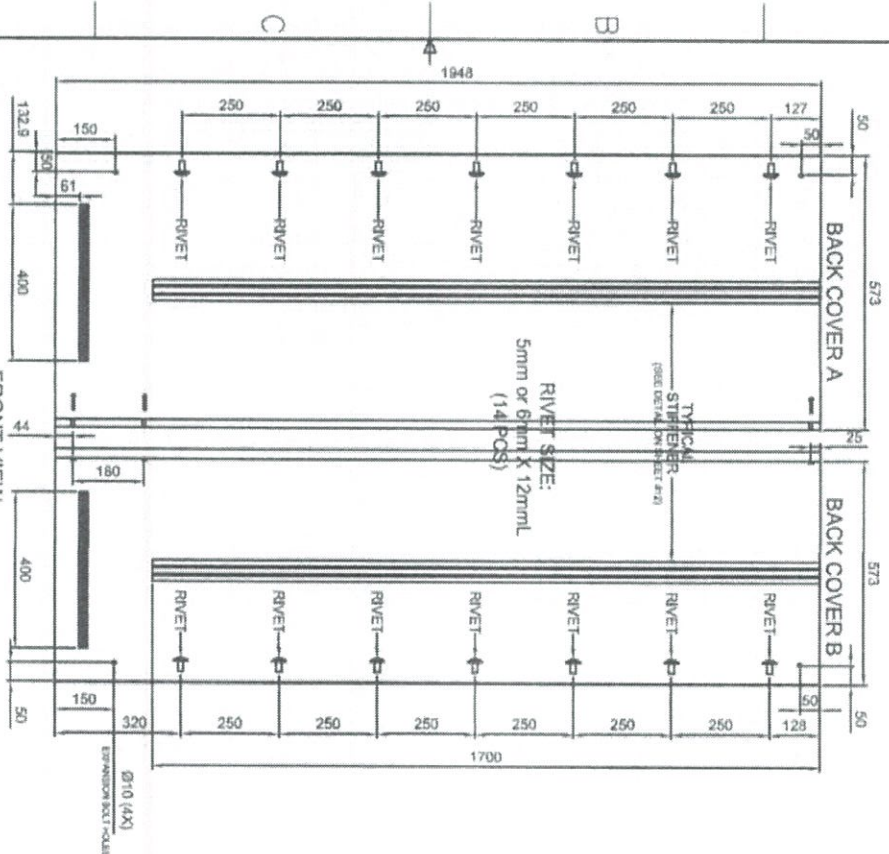
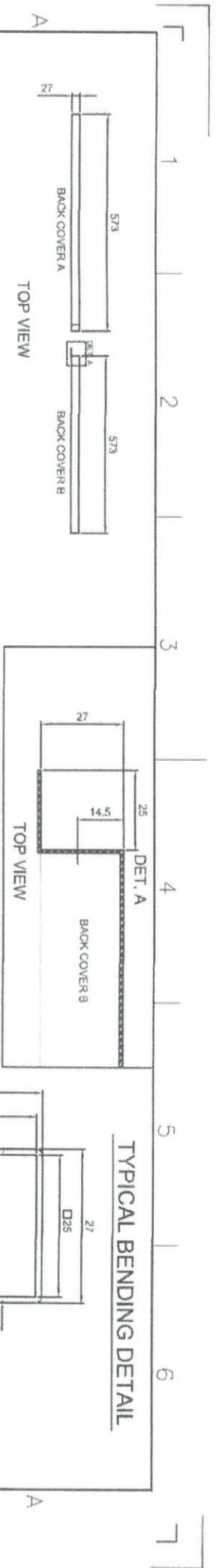
Date	JUNE 2017	Scale	(NTS)
Conceptualized by			
Drawn by	B.C. Lisondra	Checked by	R.H. Merf
Designed by	B.C. Lisondra	Recommended by	R.C. Zaragza/M.S. Maculias
Approved by	R.C. La Rosa		

Item Name	BASE FRAMES DETAIL	Sheet	08
Material	1mm THICK STAINLESS STEEL 304 SHEET	File name	CABINET DESIGN 2

GOVERNMENT PROPERTY

CABINET FOR TVL
 CABINET DESIGN # 2

DepED-BLR



NOTES:
 1. All dimensions are in millimeter unless otherwise specified.
 2. Remove burrs and sharp edges.
 TOLERANCES FOR LENGTH GAUGING

Grade of Accuracy	Nominal Size	Over	Over	Over	Over
Maximum	0.5 to 3	+0.10	+0.10	+0.20	+0.30
	3 to 6	+0.10	+0.10	+0.20	+0.30
	6 to 30	+0.10	+0.10	+0.20	+0.30
	30 to 120	+0.10	+0.10	+0.20	+0.30
	120 to 400	+0.10	+0.10	+0.20	+0.30

Grade of Accuracy	Nominal Size	Over	Over	Over	Over
Maximum	0.5 to 3	+0.10	+0.10	+0.20	+0.30
	3 to 6	+0.10	+0.10	+0.20	+0.30
	6 to 30	+0.10	+0.10	+0.20	+0.30
	30 to 120	+0.10	+0.10	+0.20	+0.30
	120 to 400	+0.10	+0.10	+0.20	+0.30

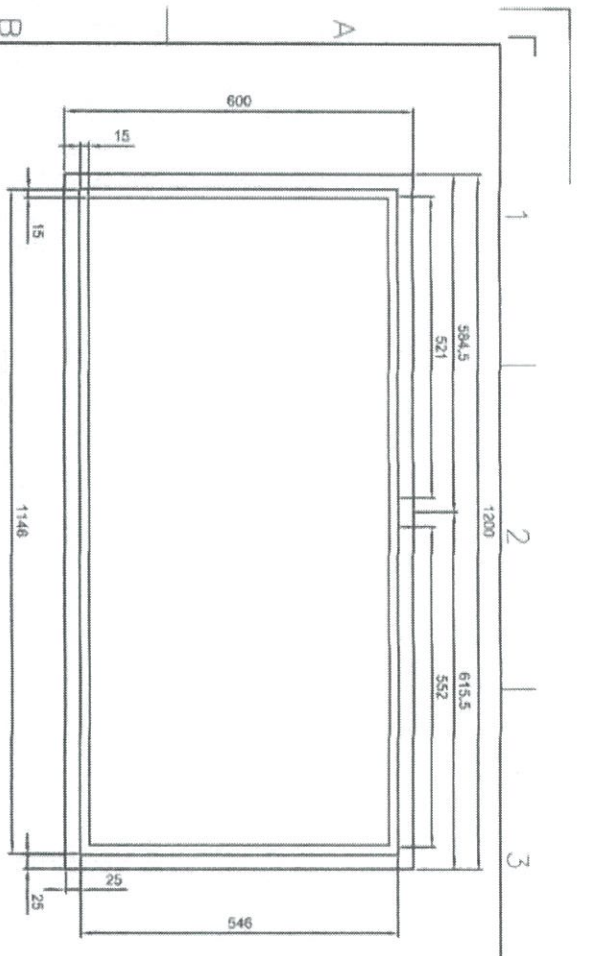
Grade of Accuracy	Nominal Size	Over	Over	Over	Over
Maximum	0.5 to 3	+0.10	+0.10	+0.20	+0.30
	3 to 6	+0.10	+0.10	+0.20	+0.30
	6 to 30	+0.10	+0.10	+0.20	+0.30
	30 to 120	+0.10	+0.10	+0.20	+0.30
	120 to 400	+0.10	+0.10	+0.20	+0.30



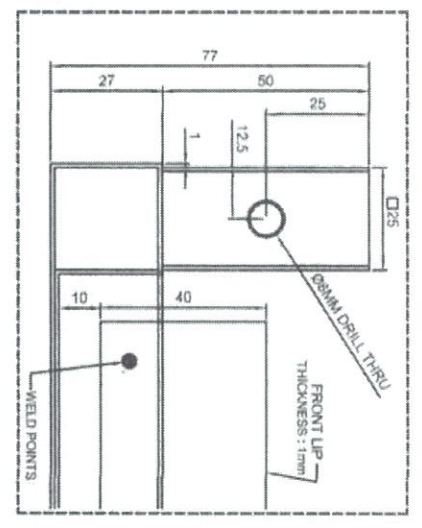
REVISION	DATE	BY

Date	JUNE 2017	Scale	(NTS)
Designed by	B. C. Lisandra	Checked by	R. H. Meri
Recommended by	R. C. Zaragoza	Approved by	R. C. La Rosa
Item Name	BACK COVER A AND BACK COVER B DETAIL	Sheet	10
Material	1mm THICK STAINLESS STEEL 304 SHEET	File name	CABINET DESIGN 2

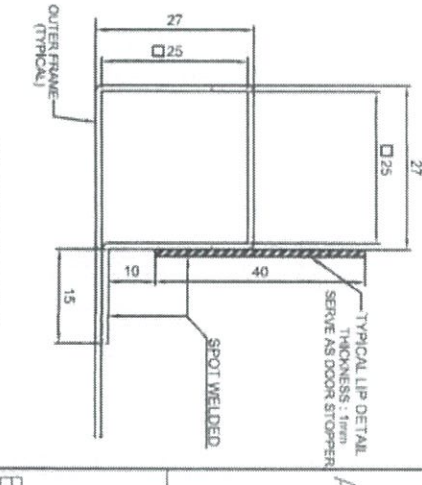
GOVERNMENT PROPERTY
 CABINET FOR TVL
 CABINET DESIGN # 2
 DepED-BLR



TOP VIEW

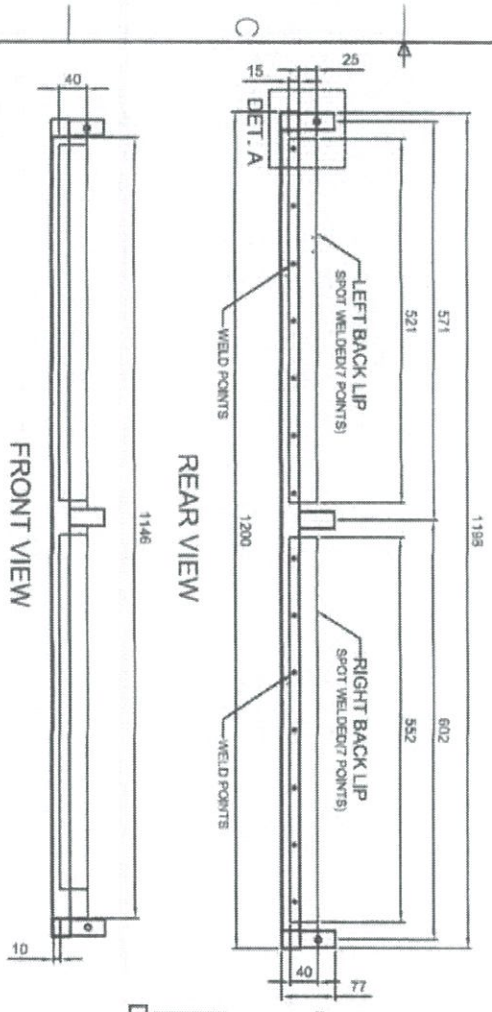


DET. A



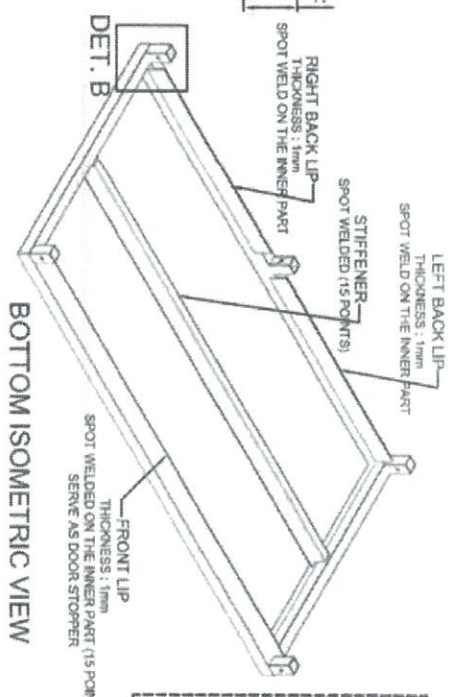
SECTION VIEW

TYPICAL BENDING DETAIL

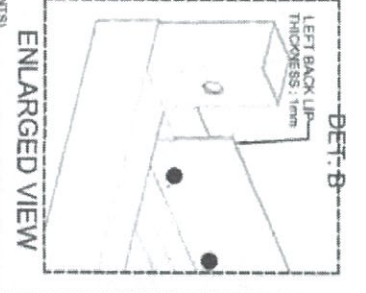


FRONT VIEW

REAR VIEW



BOTTOM ISOMETRIC VIEW



ENLARGED VIEW

- NOTES:**
1. All dimensions are in millimeter unless otherwise specified.
 2. Remove burrs and sharp edges.

TOLERANCES FOR LENGTH GAUGING

Grade of Accuracy	Normal Size	Over 3 to 6	Over 6 to 30	Over 30 to 120	Over 120 to 400
Maximum	± 0.10	± 0.10	± 0.20	± 0.30	± 0.50

TOLERANCES FOR RADIIUS & CHAMFERS

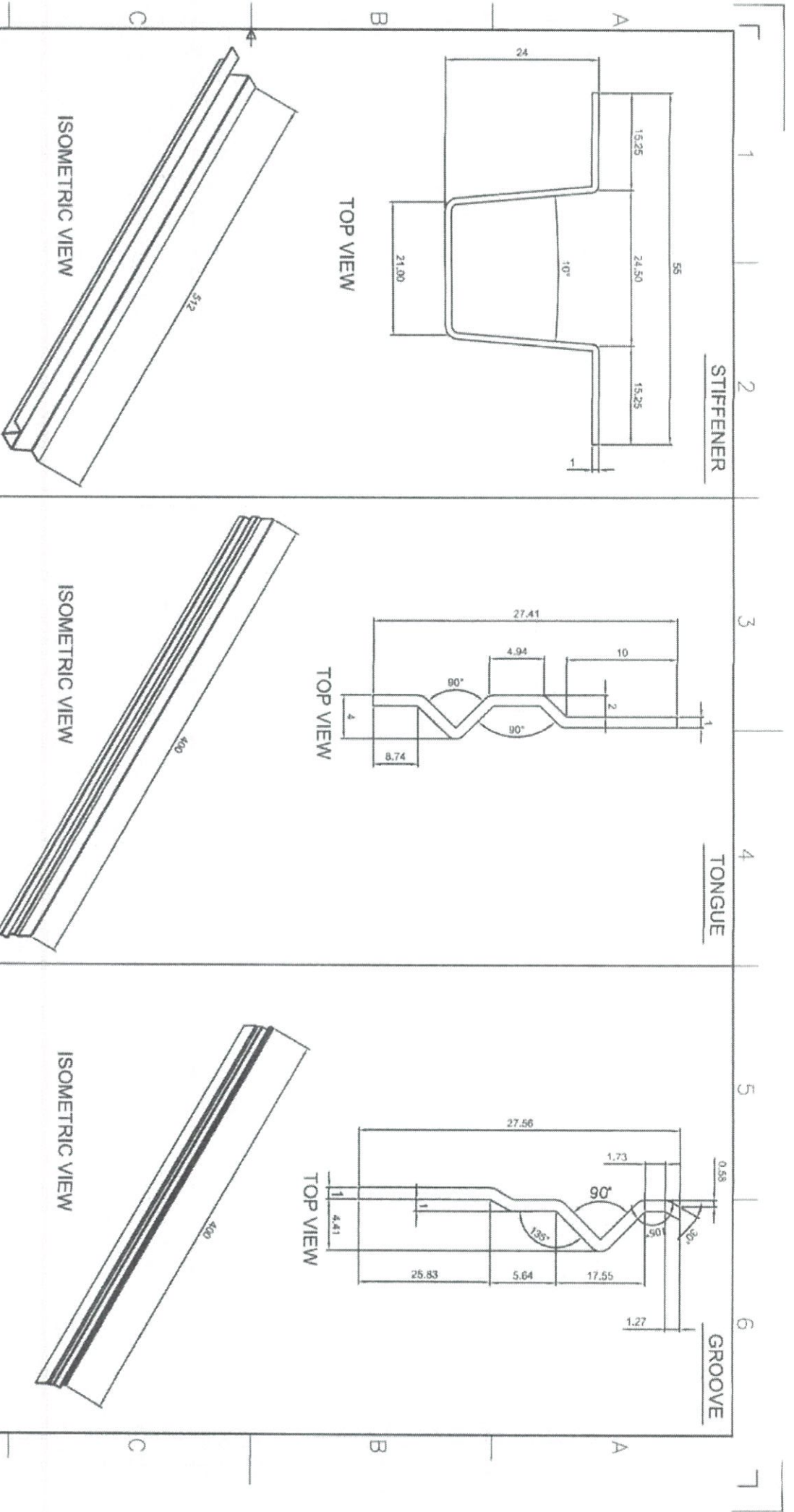
Grade of Accuracy	Normal Size	Over 3 to 6	Over 6 to 30	Over 30 to 120	Over 120 to 400
Maximum	± 0.25	± 0.50	± 1.00	± 2.00	± 3.00

Date	JUNE 2017	Scale	(NTS)
Designed by	B. C. Lisondra	Checked by	R. H. Merit
Drawn by	B. C. Lisondra	Material	1mm THICK STAINLESS STEEL 304 SHEET
Recommended by	R. C. Zarayozam, S. Macuilas	File name	CABINET DESIGN 2
Approved by	R. C. La Rosa	Sheet	11

CABINET FOR TVL
CABINET DESIGN # 2

DepED-BLR





NOTES:
 1. All dimensions are in millimeter unless otherwise specified.
 2. Remove burrs and sharp edges.

TOLERANCES FOR LENGTH GAUGING

Grade of Accuracy	Over	Over	Over	Over
0.5 to 3	± 0.10	± 0.20	± 0.30	± 0.50
3 to 6	± 0.15	± 0.25	± 0.40	± 0.60
6 to 30	± 0.20	± 0.30	± 0.50	± 0.80
30 to 120	± 0.30	± 0.40	± 0.60	± 1.00
120 to 400	± 0.40	± 0.50	± 0.80	± 1.20

TOLERANCES FOR RADIIUS & CHAMFERS

Grade of Accuracy	Over	Over	Over	Over
0.5 to 3	± 0.20	± 0.30	± 0.40	± 0.60
3 to 6	± 0.30	± 0.40	± 0.50	± 0.80
6 to 30	± 0.40	± 0.50	± 0.70	± 1.00
30 to 120	± 0.50	± 0.70	± 1.00	± 1.50



Date: JUNE 2017 Scale: (NTS)

Designed by: B C Lisondra
 Checked by: R H Meri

Drawn by: B C Lisondra
 Computerized by: R C Zaragoza/M.S. Macquias

Recommended by: R C Zaragoza/M.S. Macquias
 Approved by: R. C. La Rosa

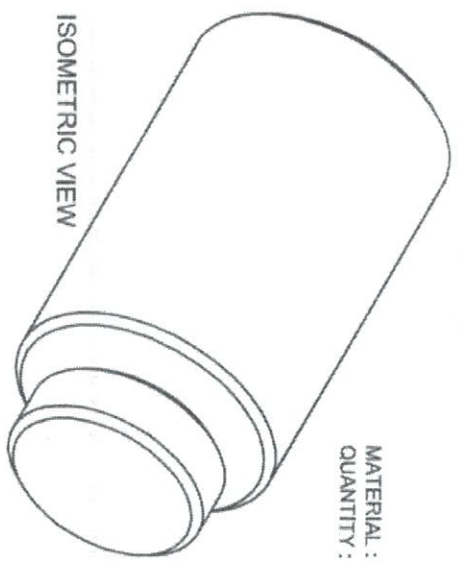
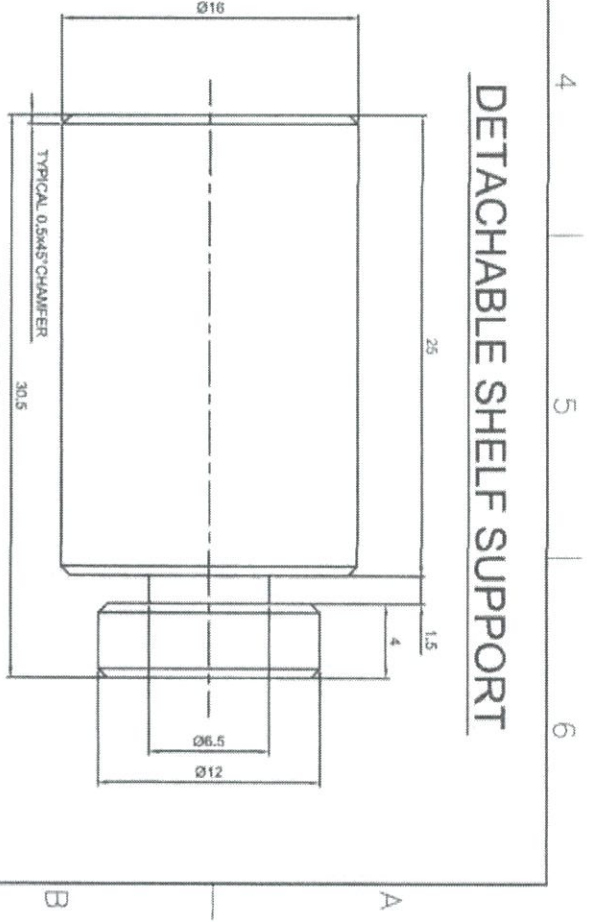
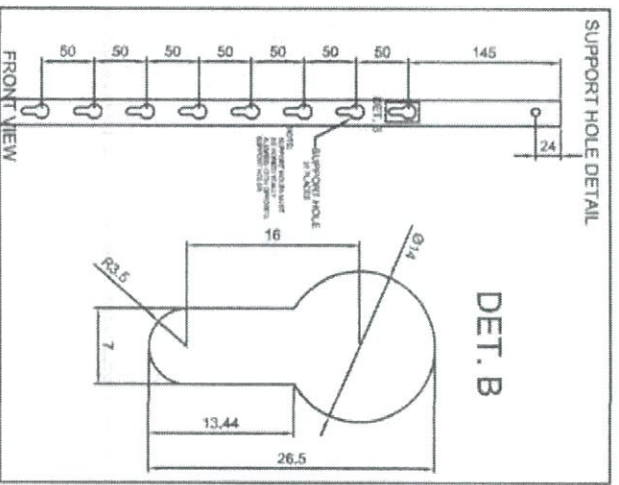
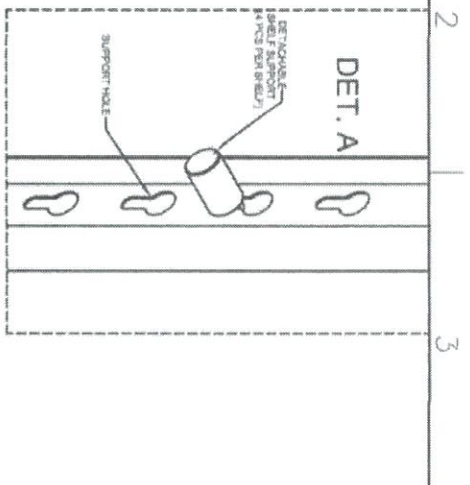
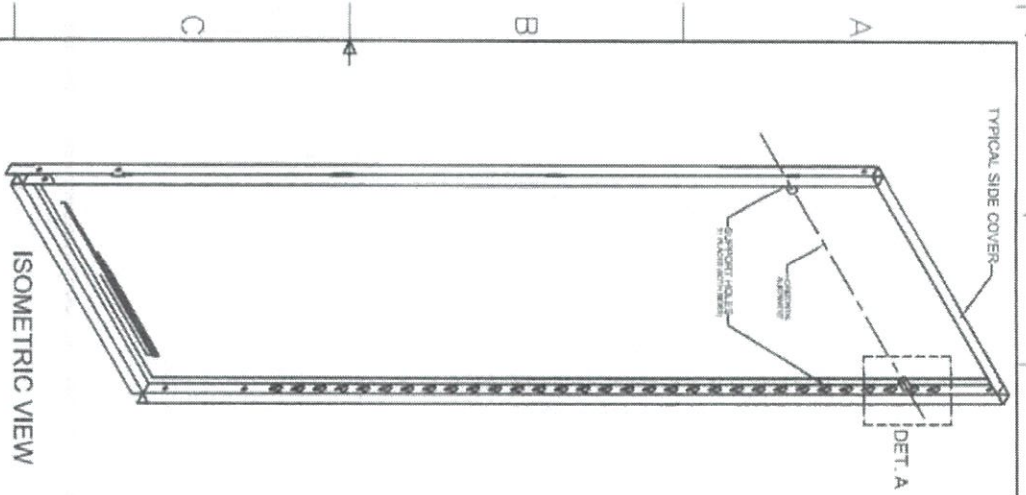
Item Name: TYPICAL LOCKING AND REINFORCEMENT DETAIL
 Material: 1mm THICK STAINLESS STEEL 304 SHEET
 Sheet: 12
 File name: CABINET DESIGN 2

GOVERNMENT PROPERTY

CABINET FOR TVL
CABINET DESIGN # 2



DepED-BLR



MATERIAL : STAINLESS STEEL 304
 QUANTITY : 4 PCS. PER SHELF

GOVERNMENT PROPERTY

NOTES:
 1. All dimensions are in millimeter unless otherwise specified.
 2. Remove burrs and sharp edges.

TOLERANCES FOR LENGTH GAUGING

Grade of Accuracy	Nominal Size	Over	Over	Over	Over
Medium	0.5 to 3	± 0.10	± 0.10	± 0.10	± 0.10
	3 to 6	± 0.10	± 0.10	± 0.10	± 0.10
Fine	0.5 to 3	± 0.05	± 0.05	± 0.05	± 0.05
	3 to 6	± 0.05	± 0.05	± 0.05	± 0.05

TOLERANCES FOR RADII & CHAMFERS

Grade of Accuracy	Nominal Size	Over	Over	Over	Over
Medium	0.5 to 3	± 0.20	± 0.20	± 0.20	± 0.20
	3 to 6	± 0.20	± 0.20	± 0.20	± 0.20
Fine	0.5 to 3	± 0.10	± 0.10	± 0.10	± 0.10
	3 to 6	± 0.10	± 0.10	± 0.10	± 0.10



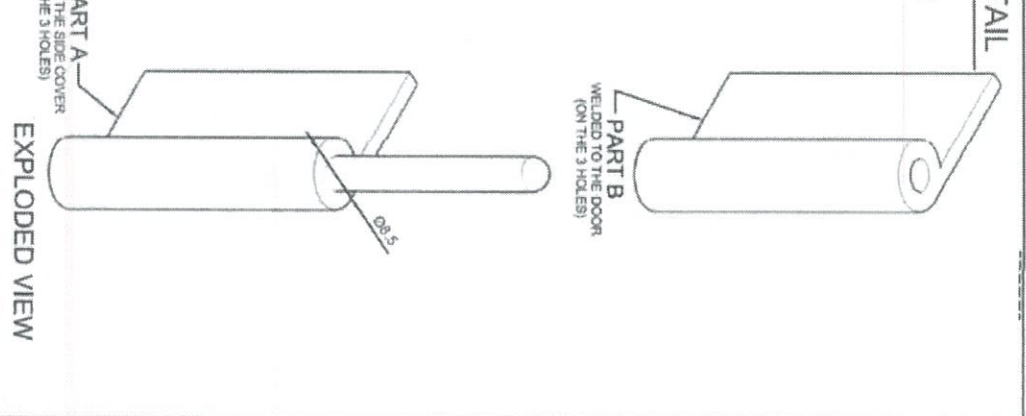
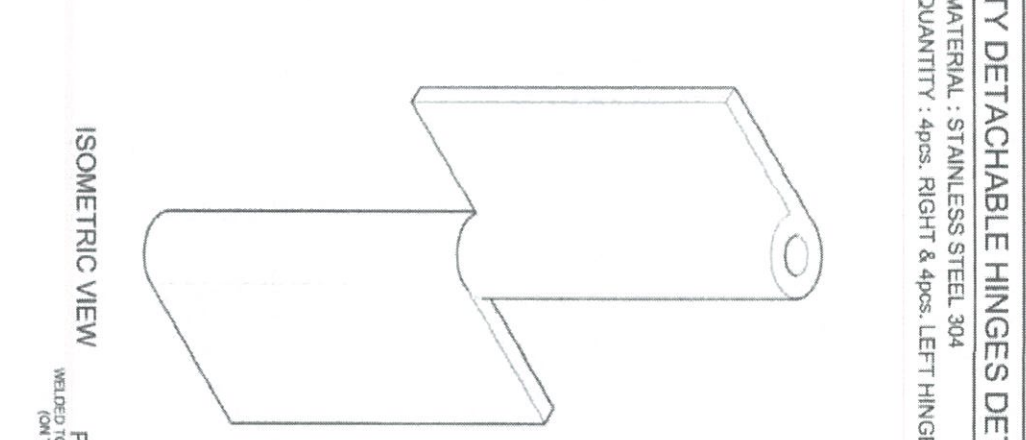
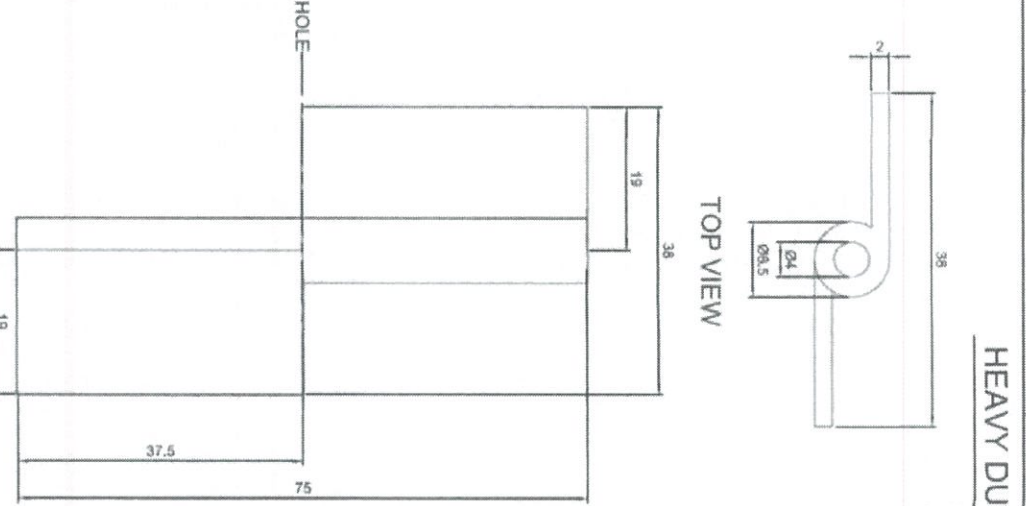
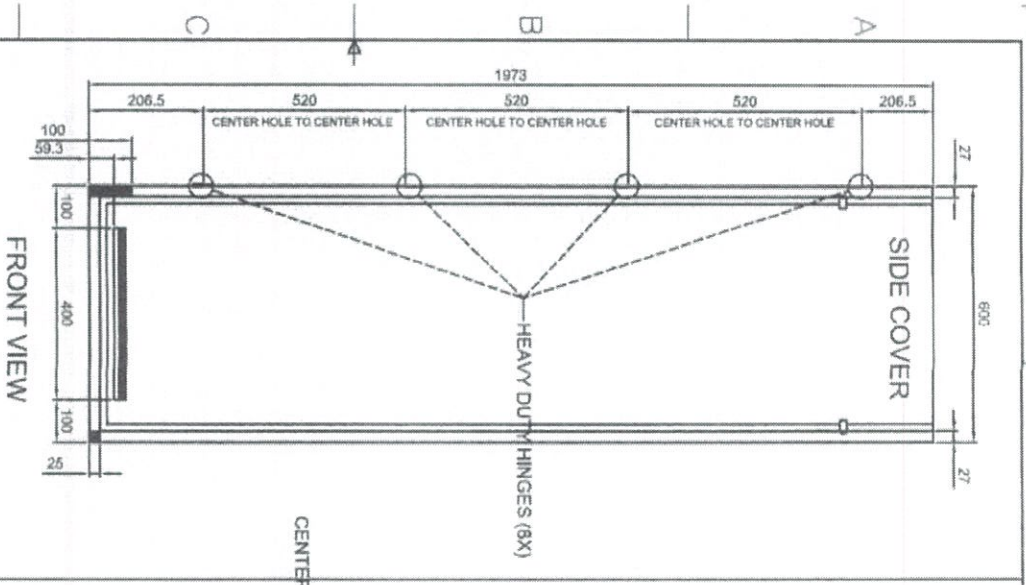
DATE	BY	REVISION	SYMBOL

Date	JUNE 2017	Scale	(NTS)
Compared by			
Drawn by	B. C. Lisondra	Checked by	R. H. Merl
Designed by	R. C. Zaragozam	Material	1mm THICK STAINLESS STEEL 304 SHEET
Recommended by	R. C. La Rosa	Item Name	DETACHABLE SHELF SUPPORT PIN
Approved by		Sheet	13
		File name	CABINET DESIGN 2



DepED-BLR

CABINET FOR TVL
 CABINET DESIGN # 2



HEAVY DUTY DETACHABLE HINGES DETAIL

MATERIAL : STAINLESS STEEL 304
 QUANTITY : 4pcs. RIGHT & 4pcs. LEFT HINGE

- NOTES:**
1. All dimensions are in millimeter unless otherwise specified.
 2. Remove burrs and sharp edges.

TOLERANCES FOR LENGTH GAUGING

Grade of Accuracy	Normal Size	Over	Under
Medium	0.5 to 3	+0.10	-0.10
	3 to 6	+0.10	-0.20
Over	6 to 30	+0.20	-0.30
	30 to 750	+0.30	-0.50
Over	120 to 400	+0.50	-0.75
	120 to 400	+0.75	-1.00

TOLERANCES FOR RADIUS & CHAMFERS

Grade of Accuracy	Normal Size	Over	Under
Medium	0.5 to 3	+0.20	-0.20
	3 to 6	+0.20	-0.30
Over	6 to 30	+0.30	-0.40
	30 to 750	+0.40	-0.50
Over	120 to 400	+0.50	-0.75
	120 to 400	+0.75	-1.00

REVISION

NO.	DATE	BY	REVISION
1			
2			
3			
4			

DATE JUNE 2017 **SCALE** (NTS)

CONCEPTUALIZED BY

DRAWN BY B.C. Lisondra **Q.C. CHECKED BY** R.H. MARI

DESIGNED BY B.C. Lisondra **RECOMMENDED BY** R.C. Zaragozam, S. Macullas

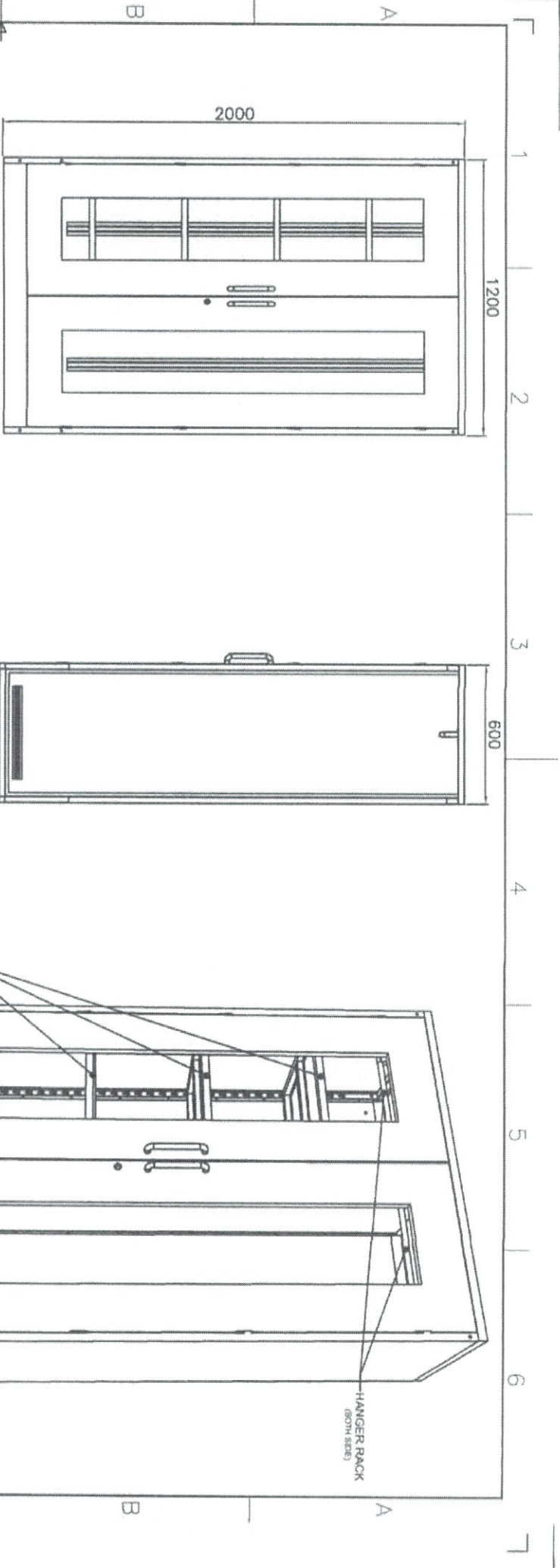
APPROVED BY R.C. La Rosa

ITEM NAME DETACHABLE HINGE DETAIL **SHEET** 14

MATERIAL ZIRN THICK STAINLESS STEEL 304 **FILE NAME** CABINET DESIGN 2

CABINET FOR TVL
CABINET DESIGN # 2

DepED-BLR



Description :

Color : Cyan Blue: C, M, Y, K (71,53,0,12)

Material : 1.00mm Thick Cold-rolled Steel Sheet, 6mm thick Flex-Glass Door

Size : 2.0 meters x 1.20 meters x 0.6 meters

Feature : Durable and Fashionable

About Cabinet :

1. 1.00mm thickness sheet then powder coat. (Welded surface must be hidden).
2. The cabinet body's material is cold-rolled steel.
3. 2 Swinging flexi-glass doors with 2pcs stainless steel 304 handle bars (10mm diameter Stainless Steel 304 Round Bar x 7in. screw mounted in between center.
4. 1 set (Full door CAM locking system w/ key), and 4 heavy duty detachable hinges(3 inches long) on each door.
5. 4 Adjustable and detachable half shelves on the left side with support set and a hanger rack on both sides.
6. Locking system will make the assembly sturdy even without the rivets.
7. Cabinet must be mounted on the WALL or FLOOR using 4pcs. M8 x 2 Inches EXPANSION BOLT with washer.
8. Locking system will make the assembly sturdy even without the rivets.

NOTES:

1. All dimensions are in millimeter unless otherwise specified
2. Remove burrs and sharp edges.

TOLERANCES FOR LENGTH GAUGING

Grade of Accuracy	Number of Size	Over	Under	Over	Under	Over	Under
Akkum	0.5 to 3	+0.10	-0.10	0.5 to 30	+0.20	-0.20	0.5 to 400
	3 to 6	+0.15	-0.15	30 to 120	+0.30	-0.30	120 to 400

TOLERANCES FOR RADIIUS & CHAMFERS

Grade of Accuracy	Number of Size	Over	Under	Over	Under	Over	Under
Shoobit	0.5 to 3	+0.20	-0.20	3 to 6	+0.30	-0.30	30 to 120
	3 to 6	+0.30	-0.30	6 to 30	+1.00	-1.00	30 to 120

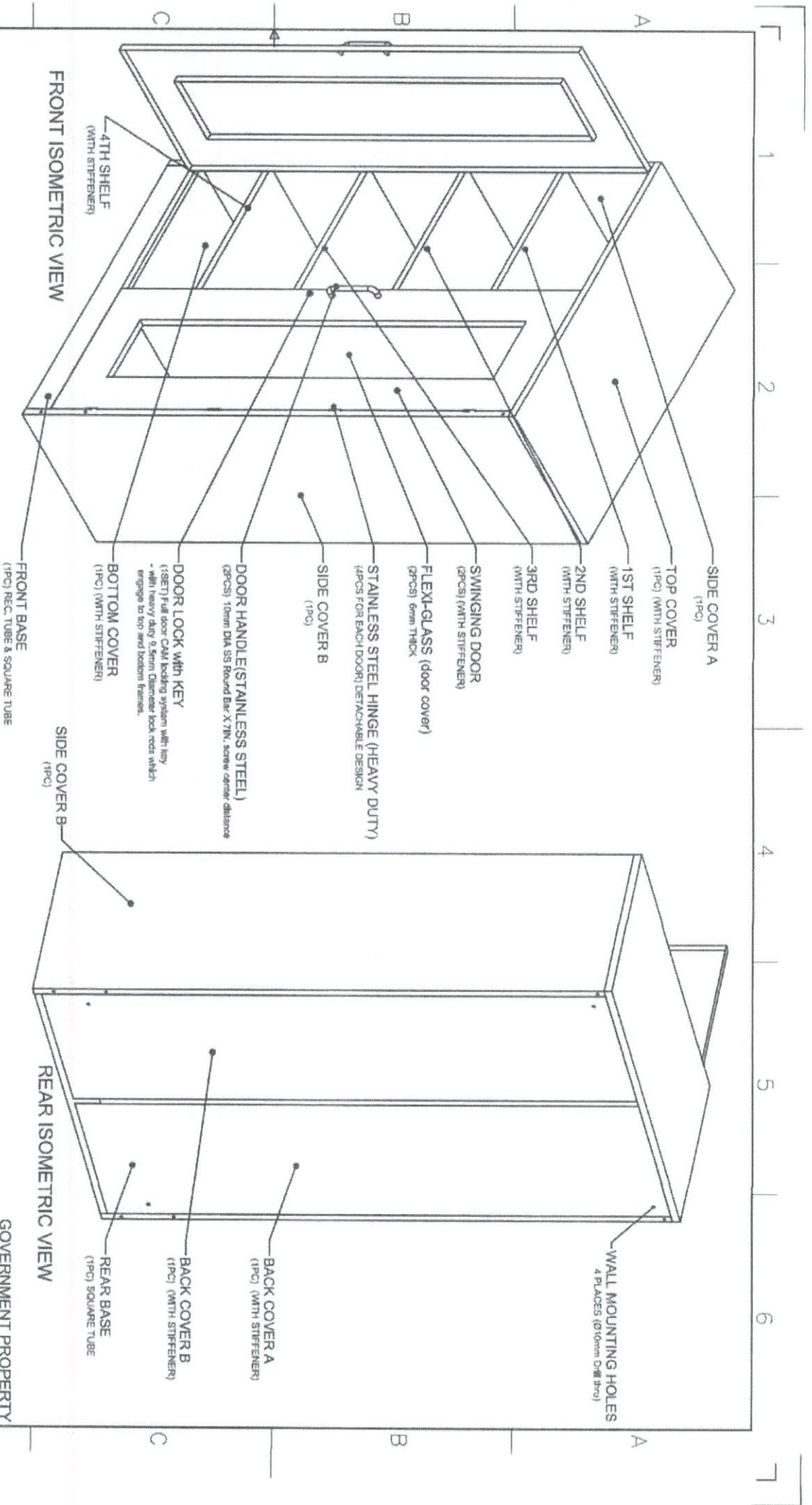


Date	JUNE 2017	Scale	(NTS)
Designed by	B. C. Lisandra	Checked by	Q.C. [Signature]
Drawn by	[Signature]	Recommended by	R.H. Meri
Conceptualized by	[Signature]	Approved by	R. C. Zaragoza/M.S. Macullias
			R. C. La Rosa

Item Name	CABINET FOR TVL	
Material	COLLAPSIBLE STEEL CABINET ASSEMBLY	
Sheet	01	File name
1mm THICK COLD-ROLLED STEEL SHEET		CABINET DESIGN 3

GOVERNMENT PROPERTY

DepED-BLR



NOTES:
 1. All dimensions are in millimeter unless otherwise specified
 2. Remove burrs and sharp edges.

TOLERANCES FOR LENGTH GAUGING

Grade of Accuracy	Nominal Size	Over	Over	Over	Over	Over
Medium	0.5 to 3	+0.10	0.6 to 30	+0.20	30 to 120	+0.30
	3 to 6	+0.15	6 to 30	+0.30	30 to 120	+0.40
	6 to 30	+0.20	30 to 120	+0.30	120 to 400	+0.50

TOLERANCES FOR RADIIUS & CHAMFERS

Grade of Accuracy	Nominal Size	Over	Over	Over	Over
Special	0.5 to 3	+0.20	3 to 6	+0.50	6 to 30
Medium	0.5 to 3	+0.20	3 to 6	+0.50	6 to 30
	6 to 30	+0.50	30 to 120	+1.00	30 to 120



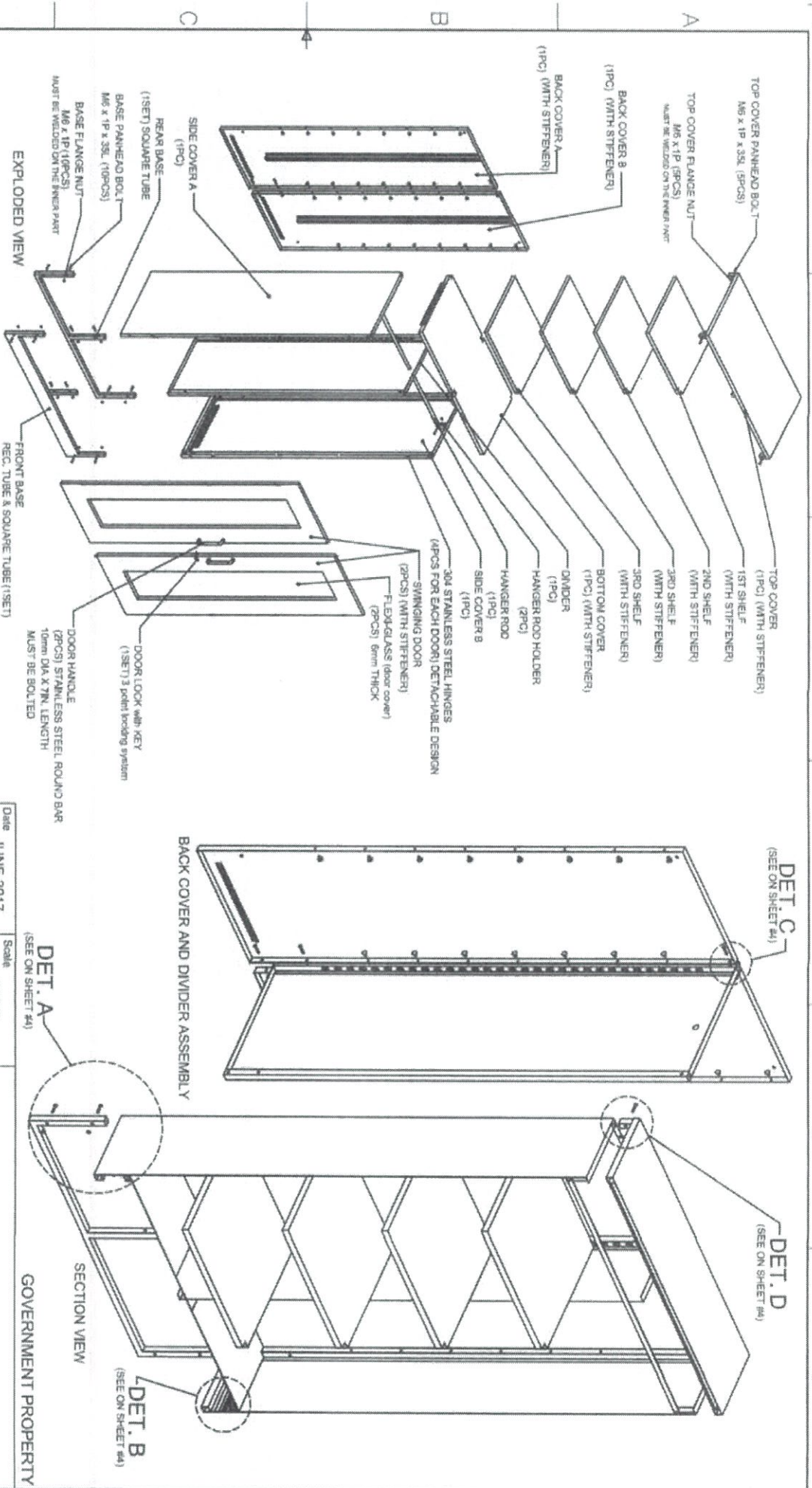
REVISION	DATE	BY

Date	JUNE 2017	Scale	(NTS)
Designed by	B. C. Lisondra	Checked by	R. H. Merf
Drawn by	B. C. Lisondra	Recommended by	R. C. Zaragosa/M. S. Maculas
Approved by	R. C. La Rosa		
Item Name	CABINET FOR TVL		
Material	COLLAPSIBLE STEEL CABINET ASSEMBLY		
Sheet	02		
File name	CABINET DESIGN 3		
Material	1mm THICK COLD-ROLLED STEEL SHEET		
Sheet	02		
File name	CABINET DESIGN 3		



DepED-BLR

GOVERNMENT PROPERTY



NOTES:
 1. All dimensions are in millimeter unless otherwise specified
 2. Remove burrs and sharp edges.

TOLERANCES FOR LENGTH GAUGING

Grade of Accuracy	Number	Over	Over	Over	Over
Medium	0.5 to 3	± 0.10	± 0.10	± 0.20	± 0.30
	3 to 6	± 0.10	± 0.10	± 0.20	± 0.30
Good	0.5 to 3	± 0.10	± 0.10	± 0.20	± 0.30
	3 to 6	± 0.10	± 0.10	± 0.20	± 0.30

TOLERANCES FOR RADII & CHAMFERS

Grade of Accuracy	Number	Over	Over	Over	Over
Smooth	0.5 to 3	± 0.20	± 0.50	± 1.00	± 2.00
	3 to 6	± 0.20	± 0.50	± 1.00	± 2.00

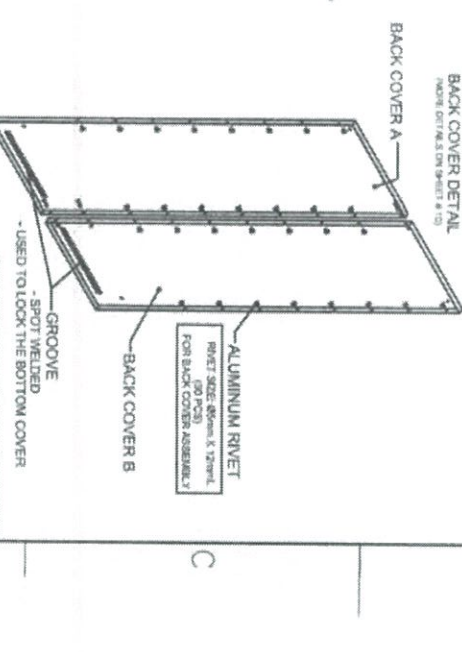
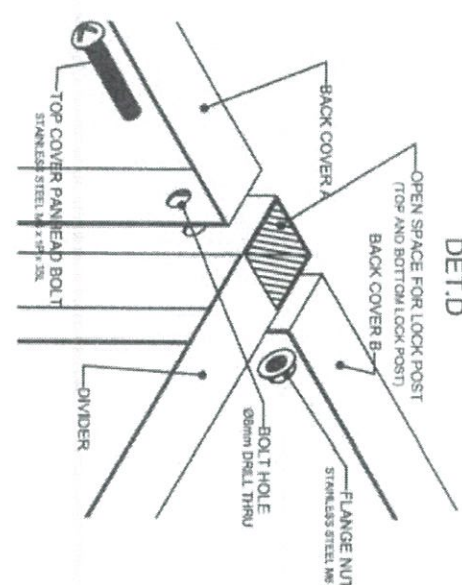
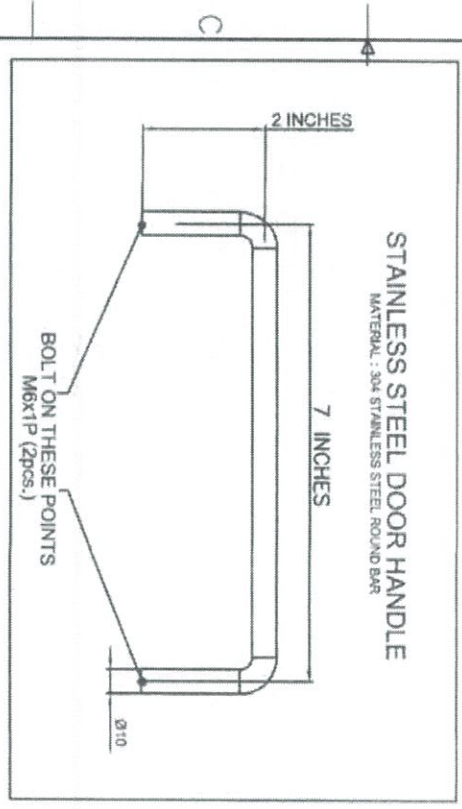
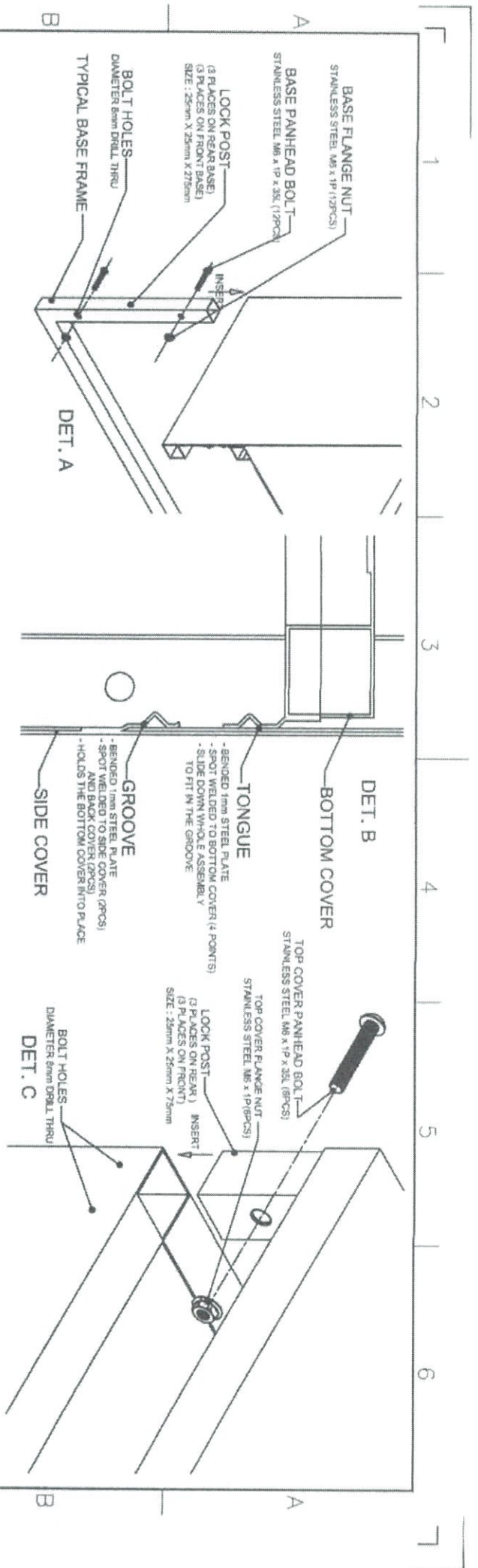


REVISION	DATE	BY

Date: JUNE 2017
 Scale: (NTS)
 Conceptualized by: _____
 Drawn by: B.C. Lisondra
 Designed by: G.C. Chastano by _____
 B.C. Lisondra
 R.H. Men
 Recommended by: R.C. Zaragoza, M.S. Maguillas
 Approved by: R.C. La Rosa

Item Name: CABINET FOR TVL
 Cabinet Design # 3
 Material: COLLAPSIBLE STEEL CABINET ASSEMBLY
 1mm THICK COLD-ROLLED STEEL SHEET
 Sheet: 03
 File name: CABINET DESIGN 3

DepED-BLR



NOTES:
 1. All dimensions are in millimeter unless otherwise specified
 2. Remove burrs and sharp edges.

TOLERANCES FOR LENGTH GAUGING

Grade of Accuracy	Nominal Size	Over	Under
Medium	0.5 to 3	+0.10	-0.10
	3 to 6	+0.10	-0.10
Fine	6 to 30	+0.05	-0.05
	30 to 120	+0.05	-0.05
Extra Fine	120 to 400	+0.03	-0.03
	400 to 1000	+0.03	-0.03

TOLERANCES FOR RADII & CHAMFERS

Grade of Accuracy	Nominal Size	Over	Under
Medium	0.5 to 3	+0.20	-0.20
	3 to 6	+0.20	-0.20
Fine	6 to 30	+0.10	-0.10
	30 to 120	+0.10	-0.10
Extra Fine	120 to 400	+0.05	-0.05
	400 to 1000	+0.05	-0.05

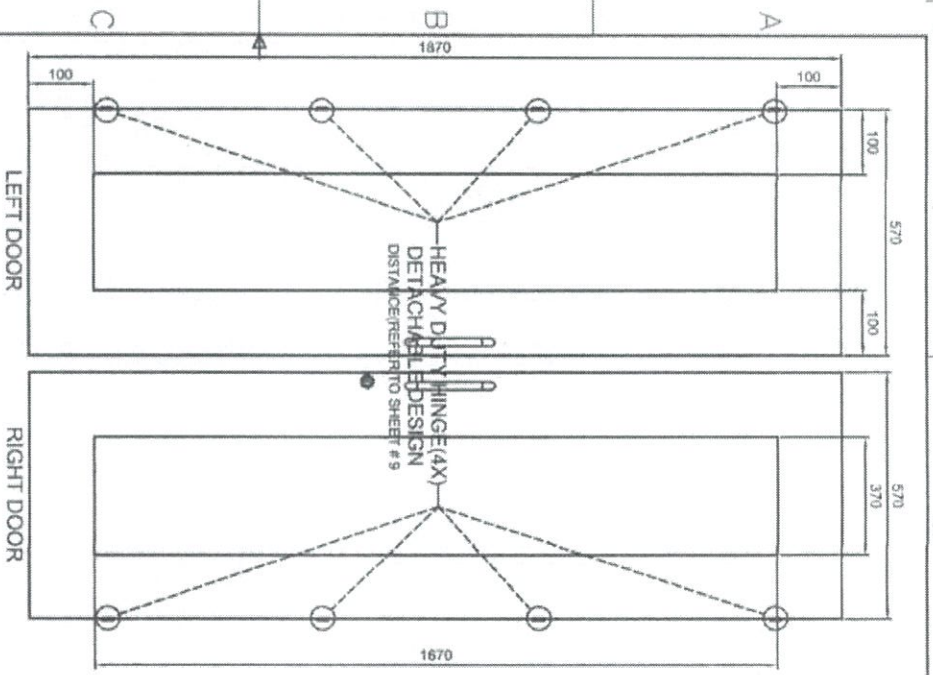


Date	Scale	Drawn by	Checked by
JUNE 2017	(NTS)	B. C. Lisaonra	A. C. Ochoa
Designed by		B. C. Lisaonra	R. H. Meri
Recommended by		R. C. Zaragozam	S. Macuillas
Approved by		R. C. La Rosa	

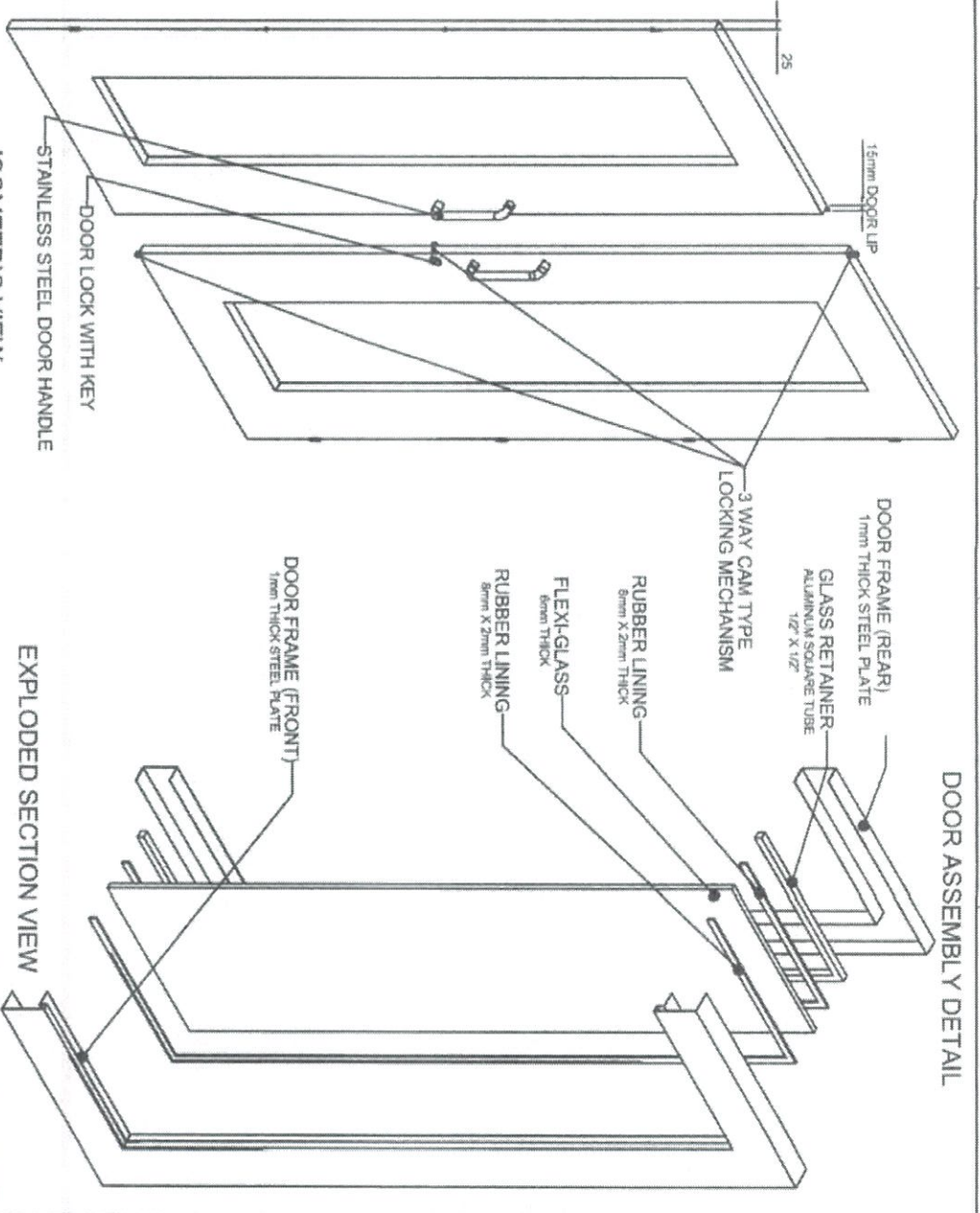
Item Name	Material	Sheet
CABINET FOR TVL	COLLAISIBLE STEEL CABINET DETAILS	04
CABINET DESIGN # 3	1mm THICK COLD-ROLLED STEEL SHEET	CABINET DESIGN 3



DepED-BLR



FRONT VIEW



ISOMETRIC VIEW

EXPLODED SECTION VIEW

GOVERNMENT PROPERTY

- NOTES:**
1. All dimensions are in millimeter unless otherwise specified
 2. Remove burrs and sharp edges.

TOLERANCES FOR LENGTH GAUGING

Grade of Accuracy	Nominal Size	Over	Under
Medium	0.5 to 3	+0.10	-0.20
	3 to 6	+0.10	-0.20
Fine	6 to 30	+0.05	-0.10
	30 to 120	+0.05	-0.10
Precision	120 to 400	+0.025	-0.050
	400 to 1200	+0.025	-0.050

TOLERANCES FOR RADIUS & CHAMFERS

Grade of Accuracy	Nominal Size	Over	Under
Medium	0.5 to 3	+0.20	-0.30
	3 to 6	+0.30	-0.40
Fine	6 to 30	+0.10	-0.15
	30 to 120	+0.10	-0.15



Date	Scale
JUNE 2017	(NTS)

Concepualized by	Drawn by	Designed by	Checked by
	B C Lisandra	B C Lisandra	R H Meri

Recommended by	Approved by
R. C. Zarapozam, S. Macullas	R. C. La Rosa

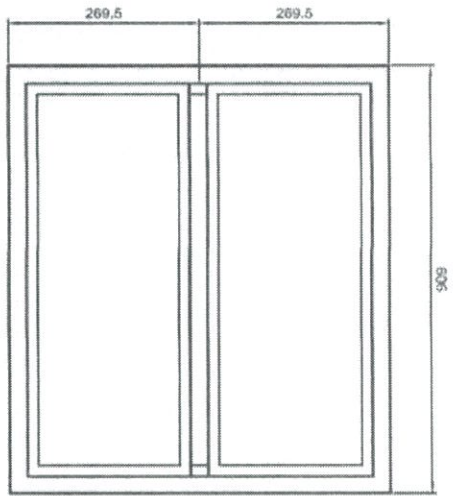
Date	Scale
JUNE 2017	(NTS)

Concepualized by	Drawn by	Designed by	Checked by
	B C Lisandra	B C Lisandra	R H Meri

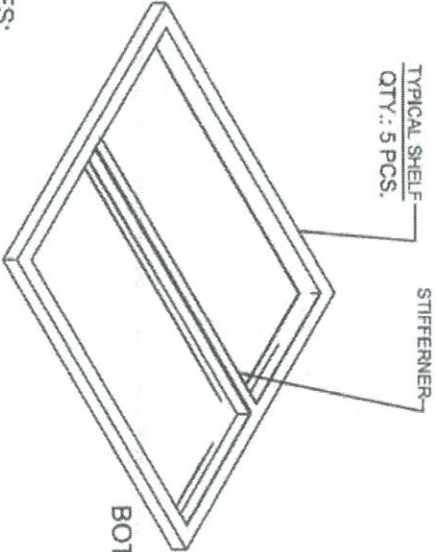
Recommended by	Approved by
R. C. Zarapozam, S. Macullas	R. C. La Rosa

Item Name	Material	Sheet
DOOR DETAIL	1mm THICK COLD-ROLLED STEEL SHEET	05

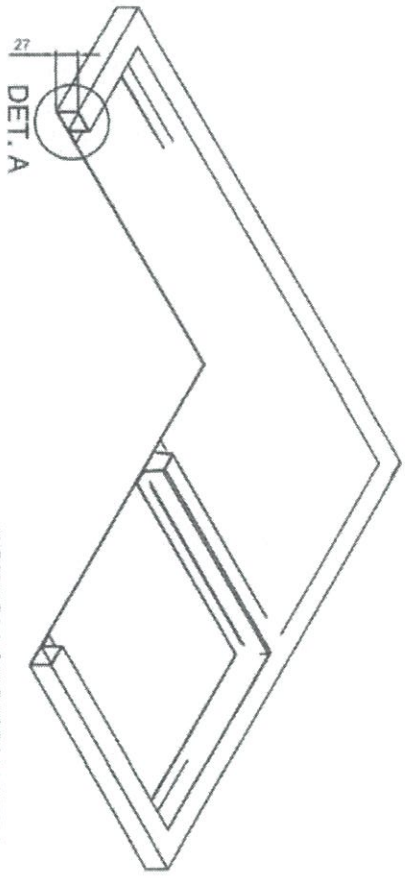
DepED-BLR



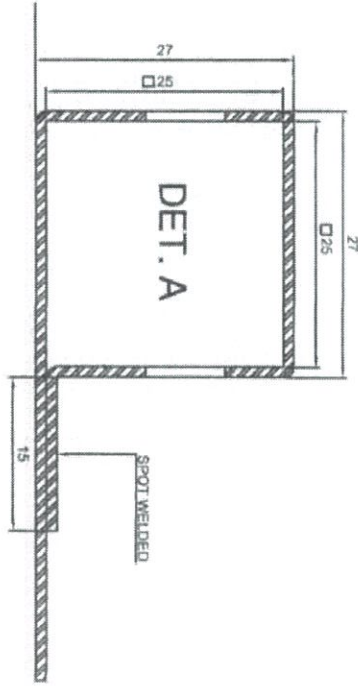
TOP VIEW



BOTTOM ISOMETRIC VIEW



BOTTOM SECTION VIEW



TYPICAL BENDING DETAIL

SECTION VIEW

GOVERNMENT PROPERTY

- NOTES:**
1. All dimensions are in millimeter unless otherwise specified
 2. Remove burrs and sharp edges.

TOLERANCES FOR LENGTH GAUGING

Grade of Accuracy	Nominal Size	Over	Over	Over	Over
Medium	0.5 to 3	+0.10	+0.10	+0.20	+0.30
	3 to 6	+0.10	+0.10	+0.20	+0.30
Fine	0.5 to 3	+0.05	+0.05	+0.10	+0.15
	3 to 6	+0.05	+0.05	+0.10	+0.15

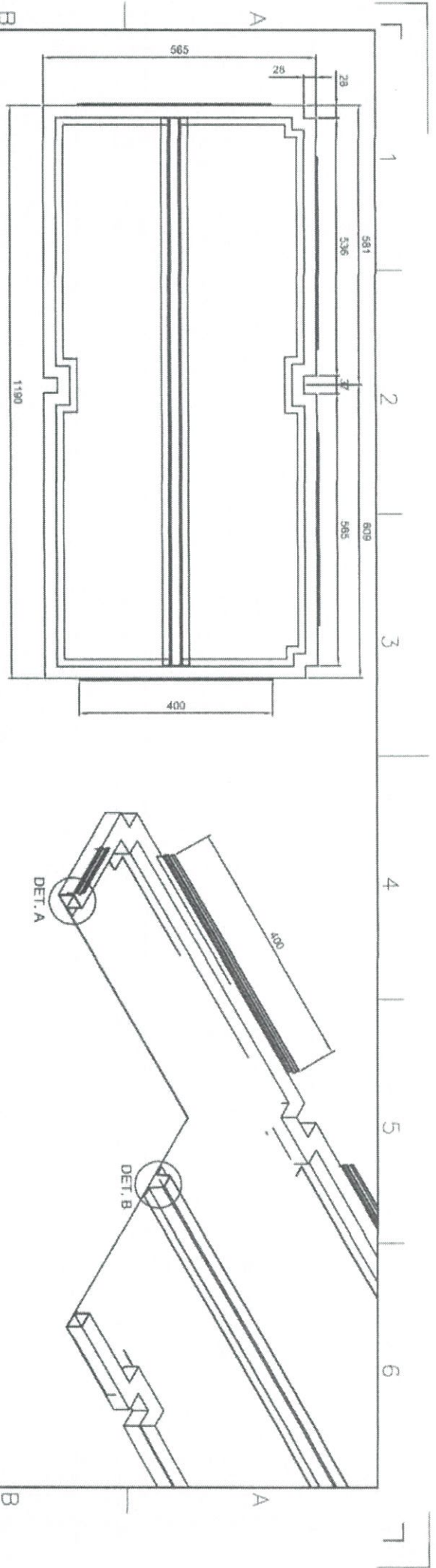
TOLERANCES FOR RADIUS & CHAMFERS

Grade of Accuracy	Nominal Size	Over	Over	Over	Over
Medium	0.5 to 3	+0.20	+0.20	+0.40	+0.60
	3 to 6	+0.20	+0.20	+0.40	+0.60
Fine	0.5 to 3	+0.10	+0.10	+0.20	+0.30
	3 to 6	+0.10	+0.10	+0.20	+0.30



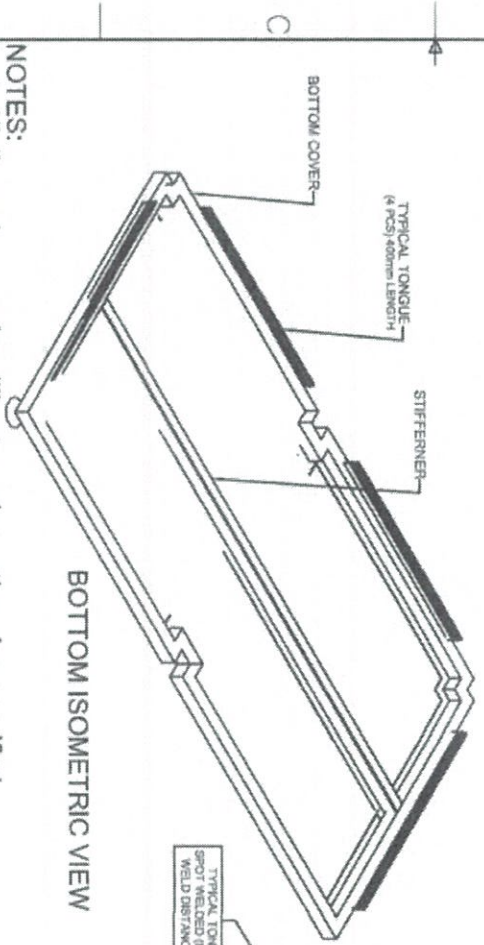
Date	JUNE 2017	Scale	(NTS)
Conceptualized by			
Drawn by	B. C. Lisandra	Q.C. Checked by	R. H. Meri
Designed by	B. C. Lisandra	Recommended by	R. C. Zaragozam, S. Magdilas
Approved by	R. C. La Rosa	Team Name	TYPICAL SHELF DETAIL
		Material	1mm THICK COLD-ROLLED STEEL SHEET
		Sheet	06
		File name	CABINET DESIGN 3

DepED-BLR

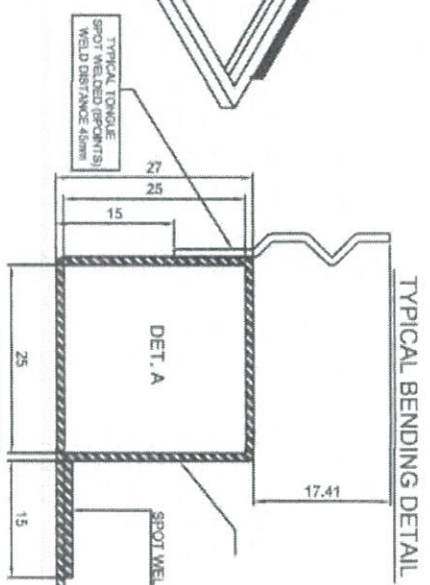


TOP VIEW

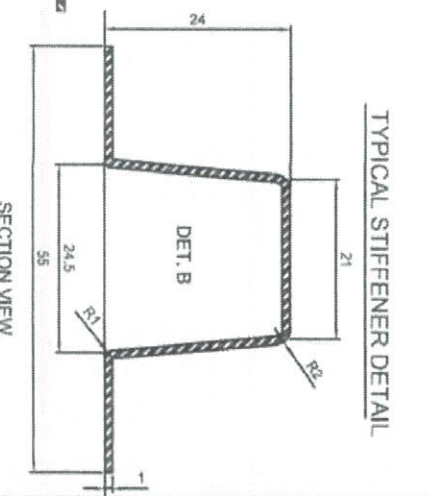
BOTTOM SECTION VIEW



BOTTOM ISOMETRIC VIEW



TYPICAL BENDING DETAIL



TYPICAL STIFFENER DETAIL

SECTION VIEW GOVERNMENT PROPERTY

- NOTES:**
1. All dimensions are in millimeter unless otherwise specified
 2. Remove burrs and sharp edges.

TOLERANCES FOR LENGTH GAUGING

Grade of Accuracy	Nominal Size	Over	Under	Over	Under
Medium	0.5 to 3	+ 0.10	- 0.10	+ 0.20	- 0.20
	3 to 6	+ 0.15	- 0.15	+ 0.30	- 0.30
Fine	6 to 30	+ 0.10	- 0.10	+ 0.20	- 0.20
	30 to 120	+ 0.10	- 0.10	+ 0.20	- 0.20
Extra Fine	120 to 400	+ 0.07	- 0.07	+ 0.15	- 0.15
	400 to 1200	+ 0.07	- 0.07	+ 0.15	- 0.15

TOLERANCES FOR RADIUS & CHAMFERS

Grade of Accuracy	Nominal Size	Over	Under	Over	Under
Medium	0.5 to 3	+ 0.20	- 0.20	+ 0.40	- 0.40
	3 to 6	+ 0.30	- 0.30	+ 0.60	- 0.60
Fine	6 to 30	+ 0.20	- 0.20	+ 0.40	- 0.40
	30 to 120	+ 0.20	- 0.20	+ 0.40	- 0.40
Extra Fine	120 to 400	+ 0.15	- 0.15	+ 0.30	- 0.30
	400 to 1200	+ 0.15	- 0.15	+ 0.30	- 0.30

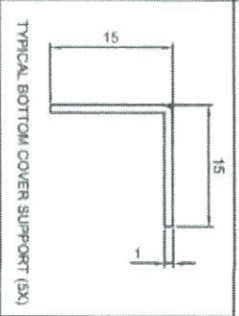
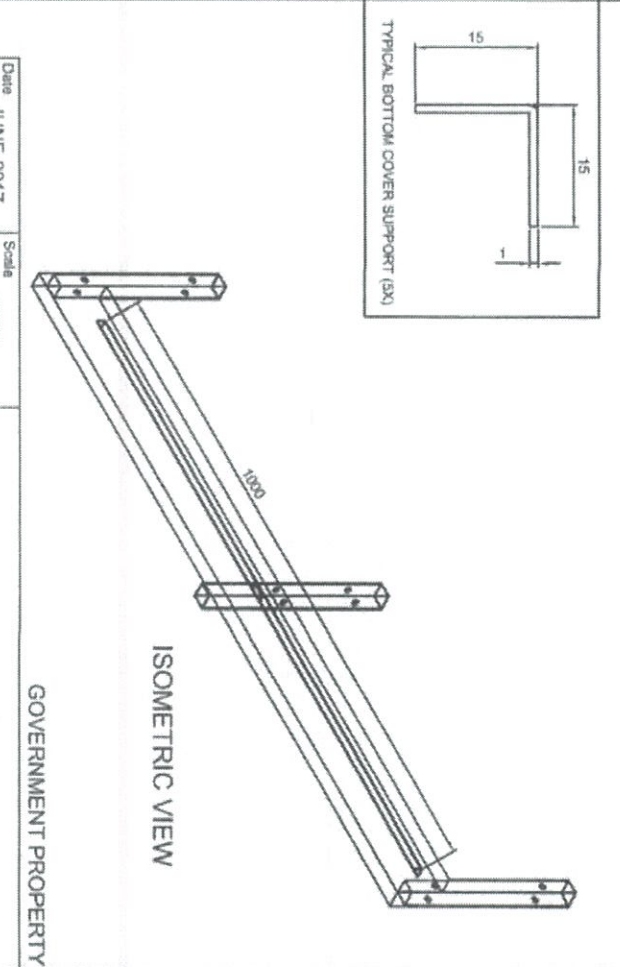
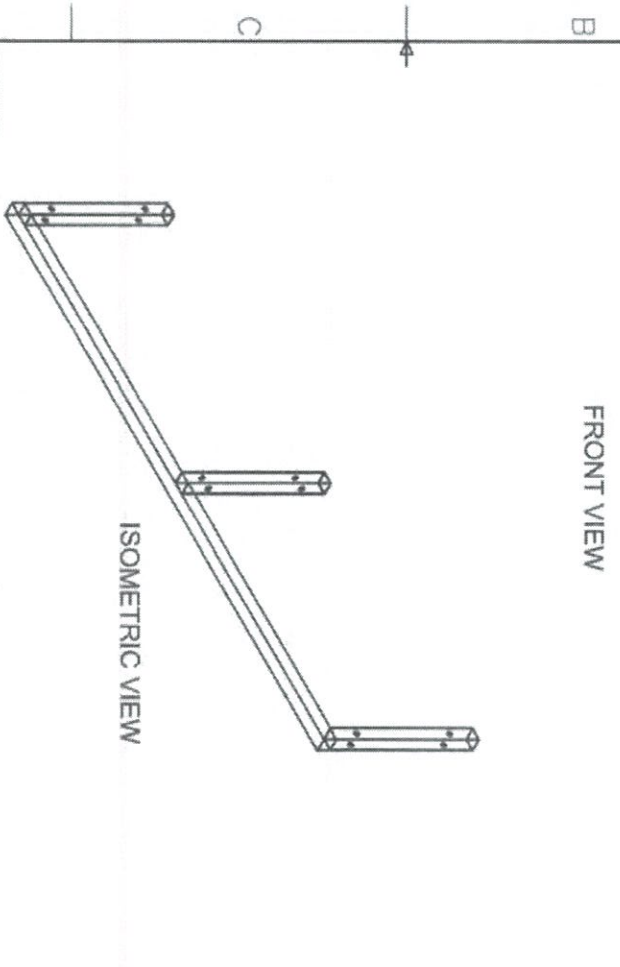
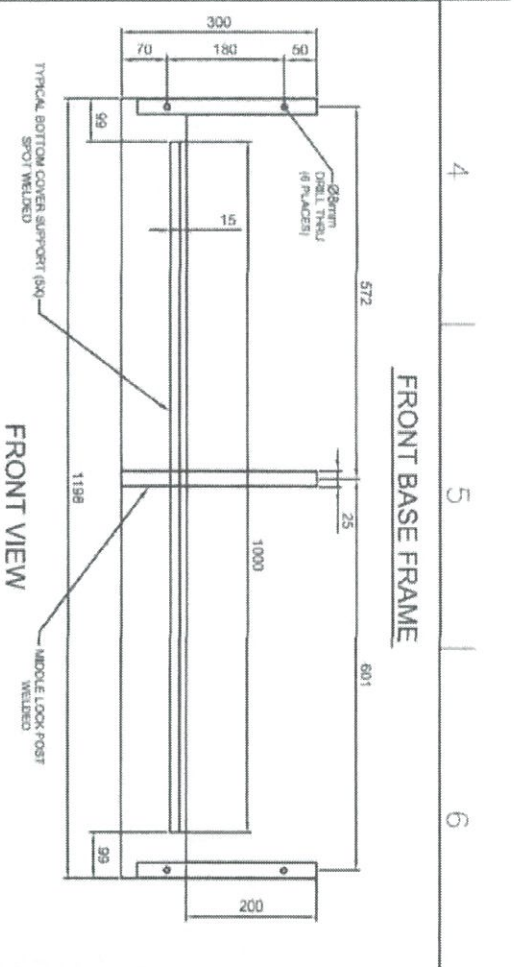
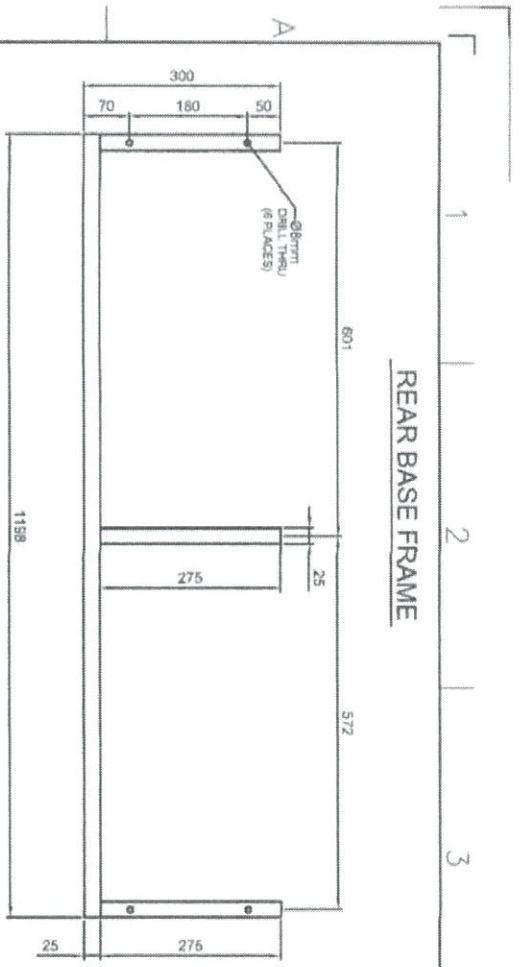


Date	Scale
JUNE 2017	(NTS)
Designed by	Checked by
B C Lisondra	R H Merit
Drawn by	QC
B C Lisondra	
Recommended by	Approved by
R. C. Zarragzam, S. Maculias	R. C. La Rosa
DATE	BY

Item Name	Material	Sheet
BOTTOM COVER DETAIL	1mm THICK COLD-ROLLED STEEL SHEET	07
CABINET DESIGN # 3		CABINET DESIGN 3



DepED-BLR



NOTES:
 1. All dimensions are in millimeter unless otherwise specified
 2. Remove burrs and sharp edges.

TOLERANCES FOR LENGTH GAUGING

Grade of Accuracy	Nominal Size	Over	Under	Over	Under	Over	Under
Medium	0.5 to 3	+0.10	-0.10	+0.20	-0.20	+0.30	-0.30
	3 to 6	+0.10	-0.10	+0.20	-0.20	+0.30	-0.30
Fine	0.5 to 3	+0.05	-0.05	+0.10	-0.10	+0.15	-0.15
	3 to 6	+0.05	-0.05	+0.10	-0.10	+0.15	-0.15
Precision	0.5 to 3	+0.02	-0.02	+0.04	-0.04	+0.06	-0.06
	3 to 6	+0.02	-0.02	+0.04	-0.04	+0.06	-0.06

TOLERANCES FOR RADIUS & CHAMFERS

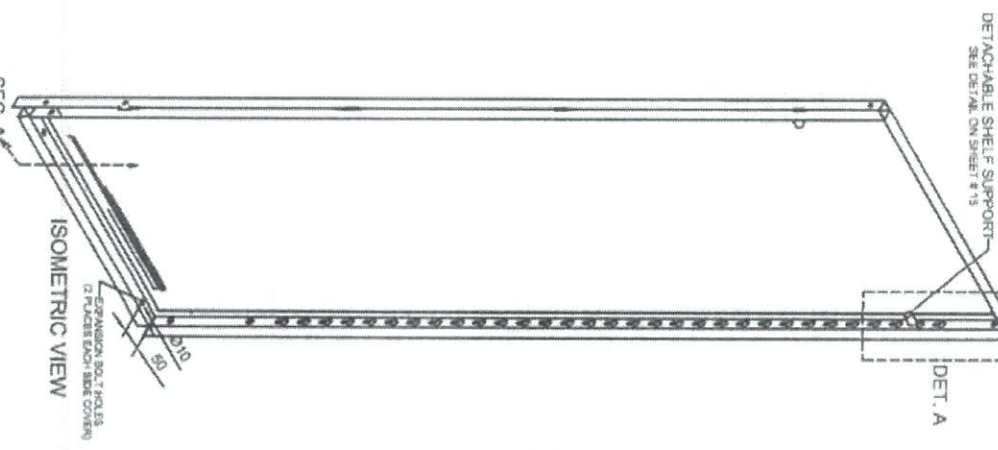
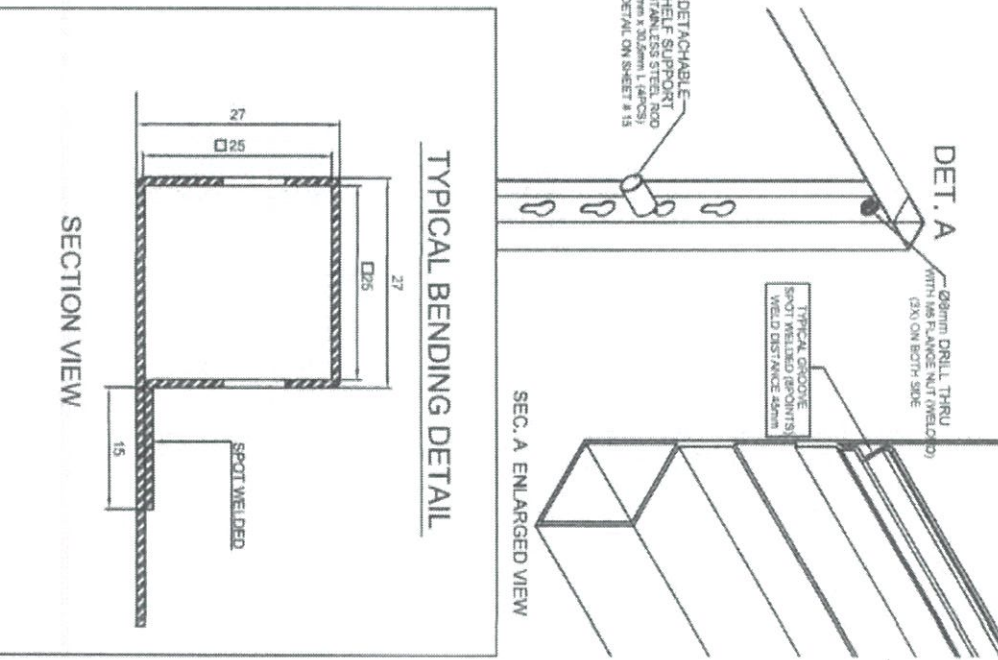
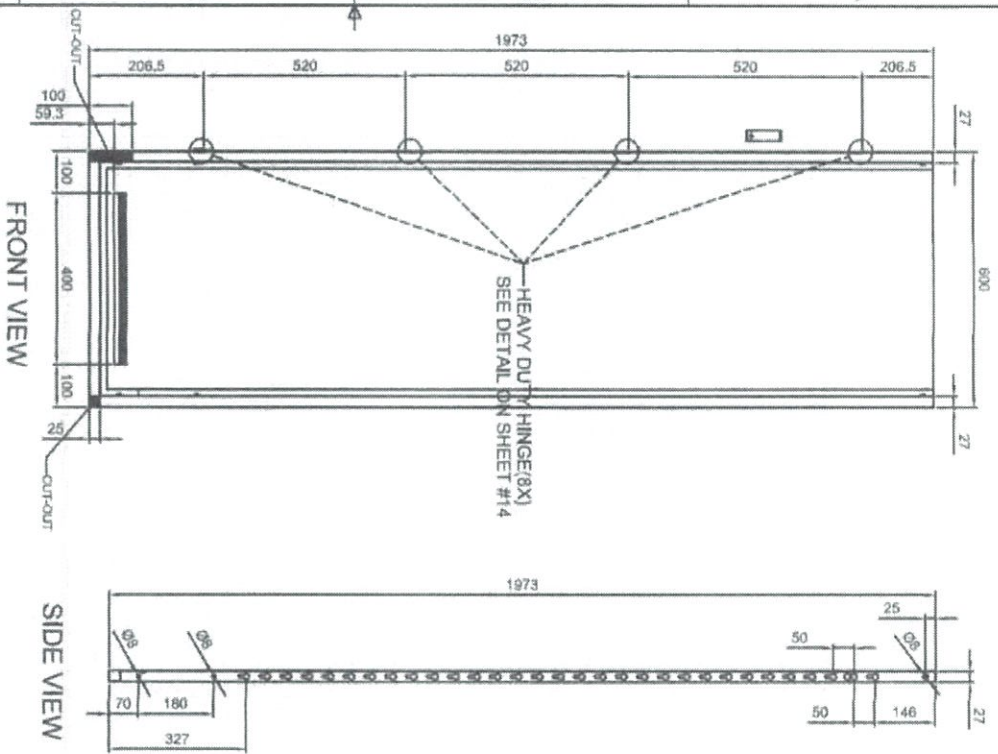
Grade of Accuracy	Nominal Size	Over	Under	Over	Under
Medium	0.5 to 3	+0.10	-0.10	+0.20	-0.20
	3 to 6	+0.10	-0.10	+0.20	-0.20
Fine	0.5 to 3	+0.05	-0.05	+0.10	-0.10
	3 to 6	+0.05	-0.05	+0.10	-0.10
Precision	0.5 to 3	+0.02	-0.02	+0.04	-0.04
	3 to 6	+0.02	-0.02	+0.04	-0.04



Date	JUNE 2017	Scale	(NTS)
Designed by	B. C. Lisondra	Checked by	R. H. Neri
Drawn by	B. C. Lisondra	Recommended by	R. C. Zaragozam, S. Macuillas
Approved by	R. C. La Rosa	Material	1mm THICK COLD-ROLLED STEEL SHEET

Item Name	BASE FRAMES DETAIL	Sheet	08
Material	1mm THICK COLD-ROLLED STEEL SHEET	File name	CABINET DESIGN 3
GOVERNMENT PROPERTY			

DepED-BLR



NOTES:
 1. All dimensions are in millimeter unless otherwise specified
 2. Remove burrs and sharp edges.

TOLERANCES FOR LENGTH GAUGING

Grade of Accuracy	Normal Size	Over	Over	Over	Over
Medium	0.5 to 3	± 0.10	± 0.10	± 0.20	± 0.30
	3 to 6				
	6 to 30				
	30 to 120				
	120 to 400				

TOLERANCES FOR RADII & CHAMFERS

Grade of Accuracy	Normal Size	Over	Over	Over	Over
Smooth	0.5 to 3	± 0.20	± 0.30	± 1.00	± 2.00
Medium					

SYN	REVISION	DATE	BY

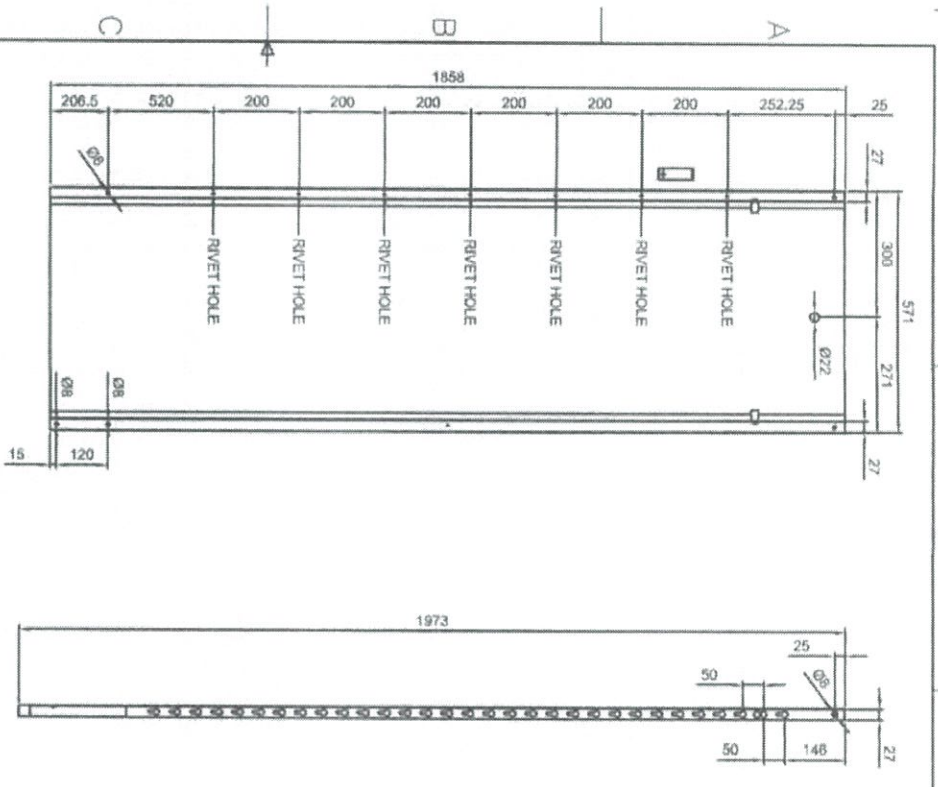


Date	JUNE 2017	Scale	(NTS)
Conceptualized by			
Drawn by	B C Lisondra	Checked by	R H Neri
Designed by	B C Lisondra	Recommended by	R. C. Zetapozan/M. S. Magallanes
Approved by	R. C. La Rosa		

Name	CABINET FOR TVL	Sheet	09
Material	1mm THICK COLD-ROLLED STEEL SHEET	File name	CABINET DESIGN 3
Part Name	SIDE COVER A		

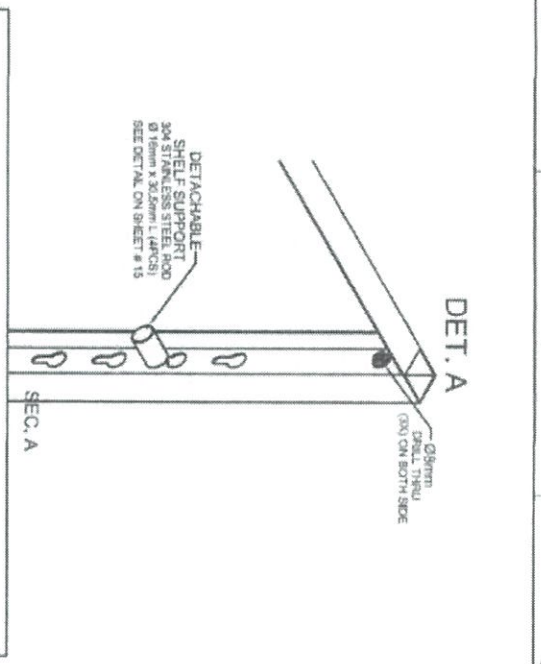


DepED-BLR

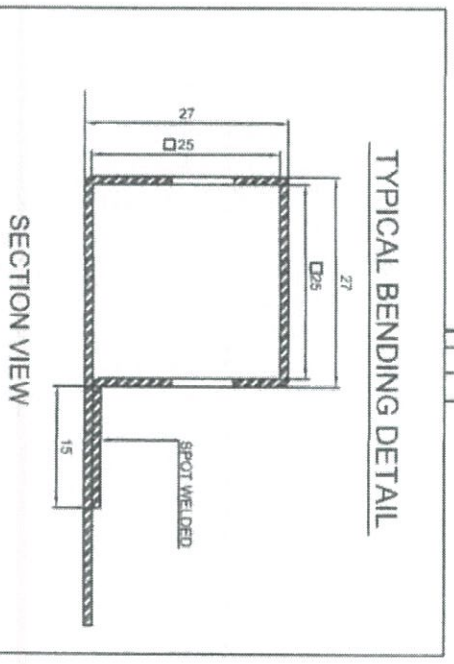


FRONT VIEW

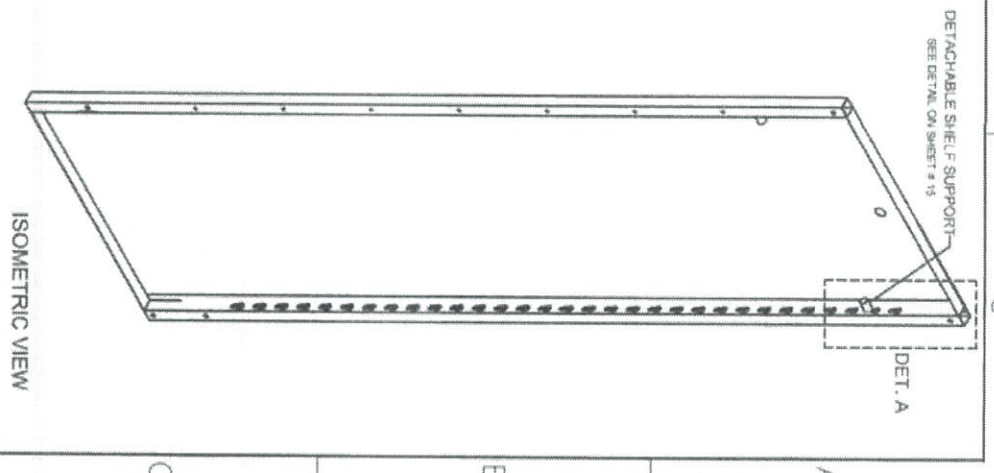
SIDE VIEW



TYPICAL BENDING DETAIL



SECTION VIEW



ISOMETRIC VIEW

GOVERNMENT PROPERTY

- NOTES:**
1. All dimensions are in millimeter unless otherwise specified
 2. Remove burrs and sharp edges.

TOLERANCES FOR LENGTH GAUGING

Grade of Accuracy	Nominal Size	Over	Over	Over	Over
Medium	0.5 to 3	+0.10	0 to 30	+0.20	30 to 120
	3 to 6	+0.10	0 to 30	+0.30	120 to 400
Fine	0.5 to 3	+0.05	0 to 30	+0.10	30 to 120
	3 to 6	+0.05	0 to 30	+0.15	120 to 400

TOLERANCES FOR RADIUS & CHAMFERS

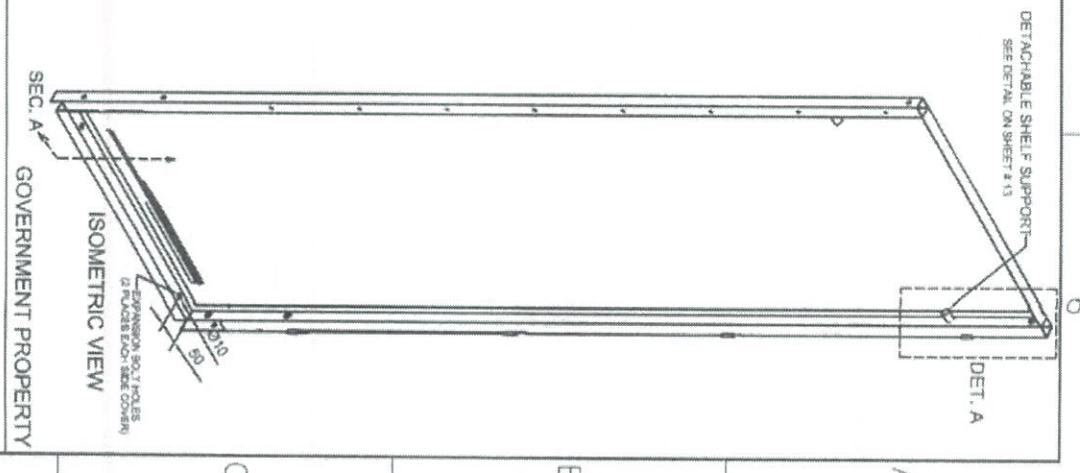
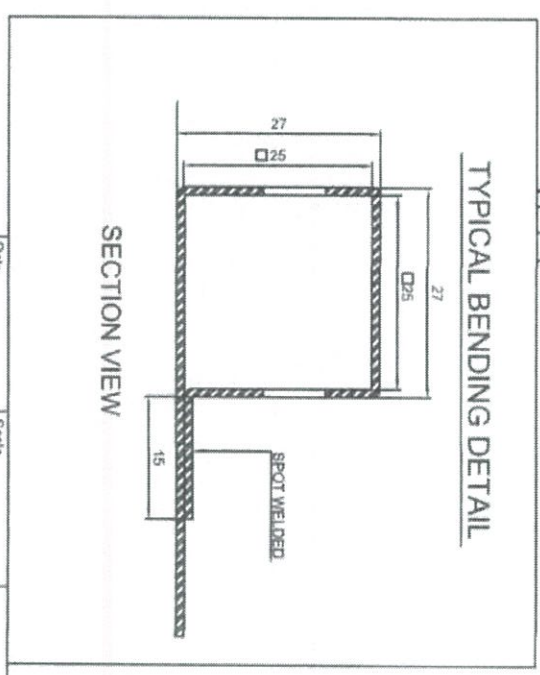
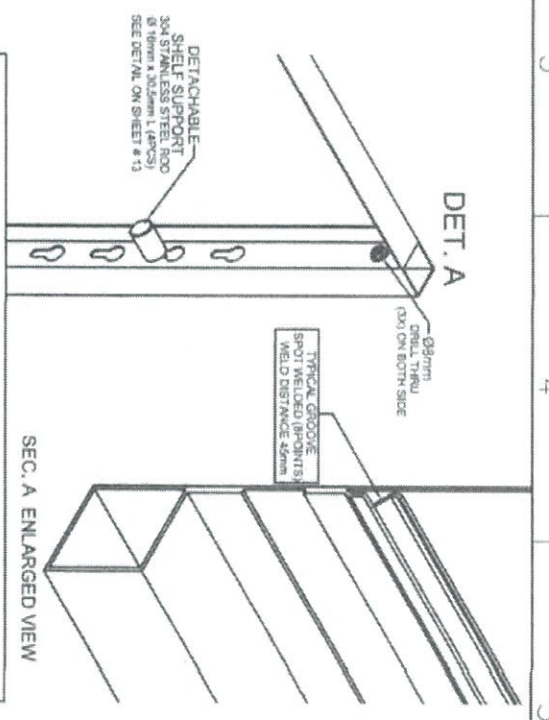
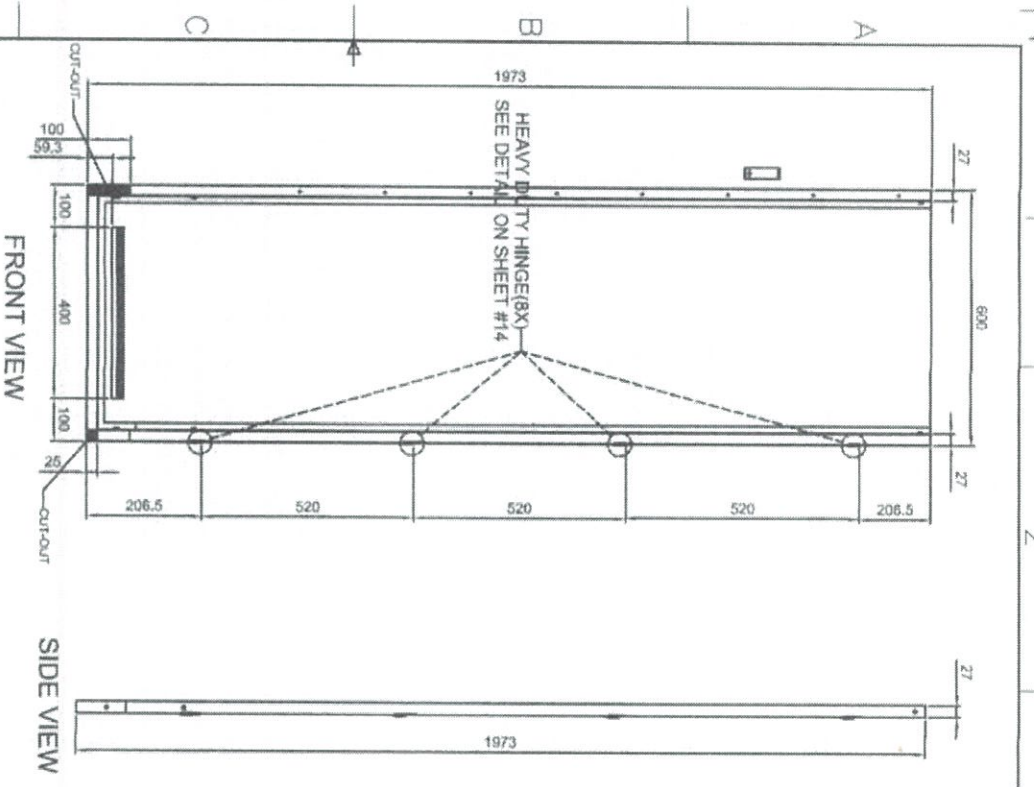
Grade of Accuracy	Nominal Size	Over	Over	Over	Over
Medium	0.5 to 3	+0.20	0 to 30	+0.50	30 to 120
	3 to 6	+0.20	0 to 30	+1.00	120 to 400
Fine	0.5 to 3	+0.10	0 to 30	+0.25	30 to 120
	3 to 6	+0.10	0 to 30	+0.50	120 to 400



REVISION	DATE	BY	APPROVED BY

Date	JUNE 2017	Scale	(NTS)
Designed by	B C Lisondra	Checked by	R H Merit
Drawn by	B C Lisondra	Approved by	R. C. Zaragoza, S. Meculas
Item Name	DIVIDER		
Material	1mm THICK COLD-ROLLED STEEL SHEET		

DepED-BLR



NOTES:
 1. All dimensions are in millimeter unless otherwise specified
 2. Remove burrs and sharp edges.

TOLERANCES FOR LENGTH GAUGING

Quantity	Appraisal	Over	Over	Over	Over
Accuracy	Size	3 to 8	8 to 30	30 to 120	120 to 400
Absolute	- 0.10	+ 0.10	+ 0.20	+ 0.30	+ 0.50

TOLERANCES FOR RADIUS & CHAMFERS

Quantity	Appraisal	Over	Over	Over
Accuracy	Size	3 to 8	8 to 30	30 to 120
Radius	0.5 to 3	3 to 8	8 to 30	30 to 120
Chamfer	0.5 to 3	3 to 8	8 to 30	30 to 120

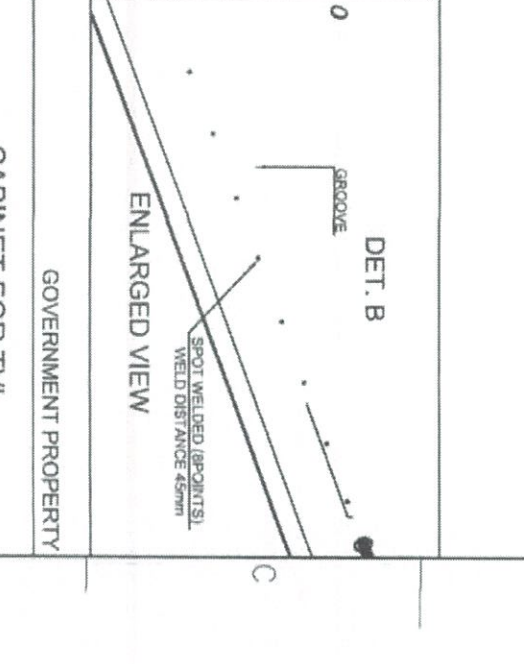
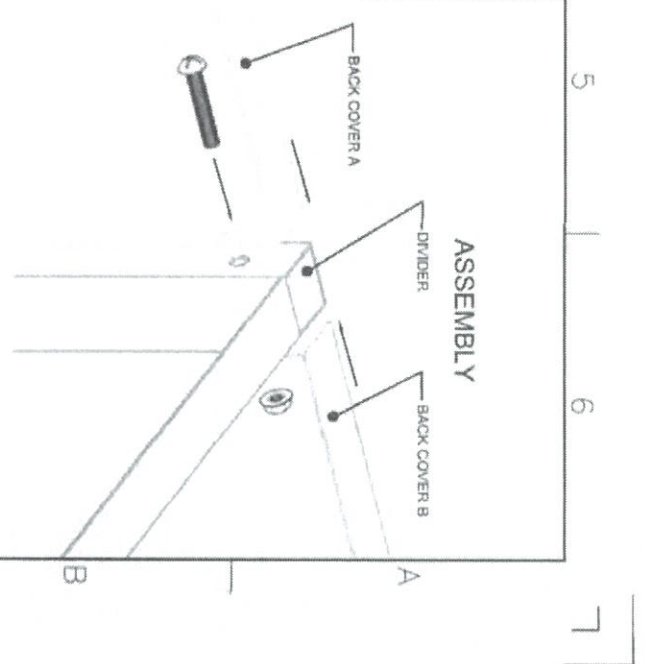
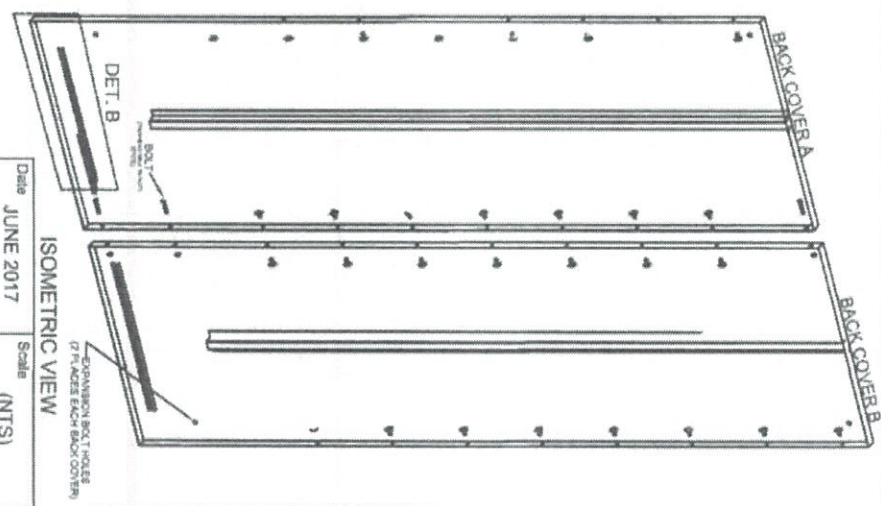
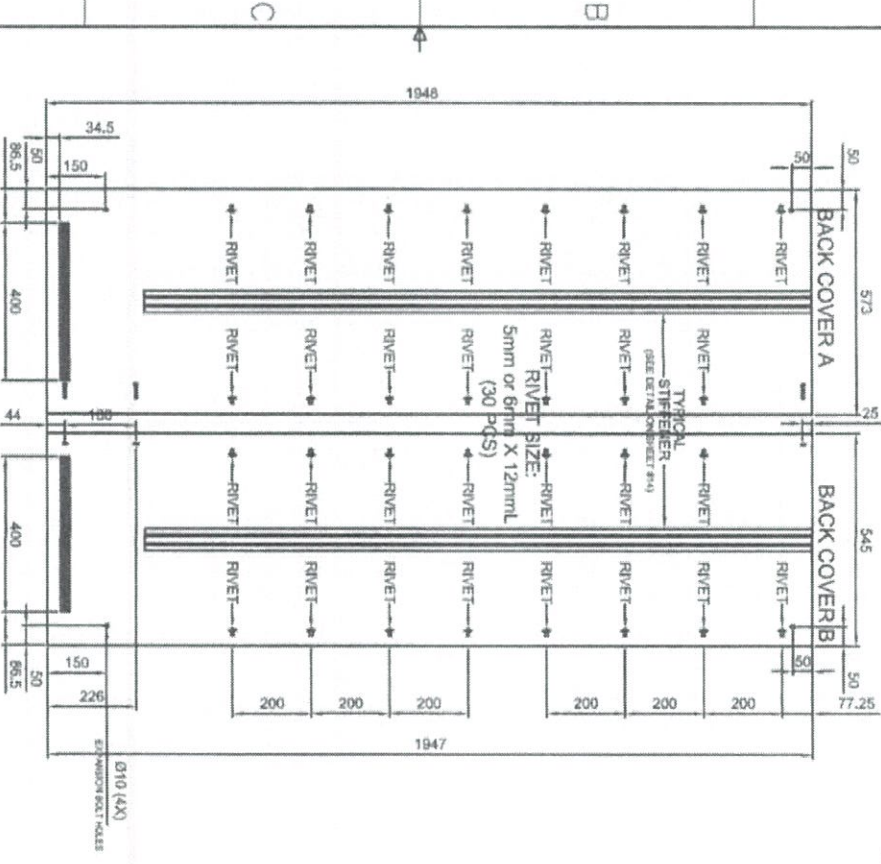
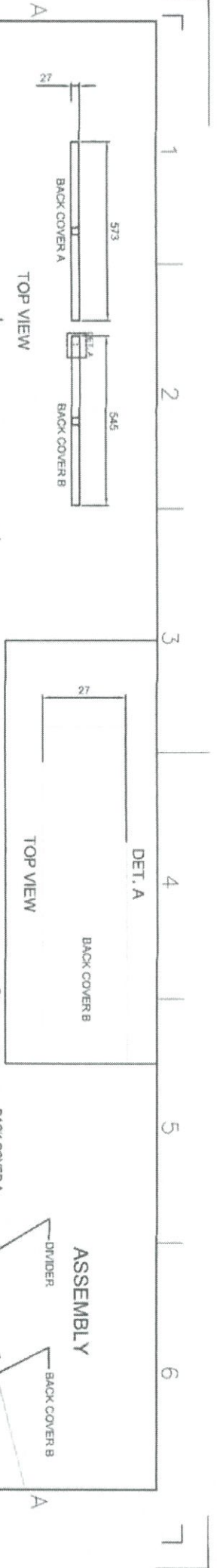


REVISION	DATE	BY

Date	JUNE 2017	Scale	(NTS)
Designed by	B. C. Lisondra	Checked by	R. H. Man
Drawn by	B. C. Lisondra	Recommended by	R. C. Zepengza / M. S. Maguillas
Conceptualized by		Approved by	R. C. La Rosa
Form Name	SIDE COVER B		
Material	1mm THICK COLD-ROLLED STEEL SHEET		
File name	CABINET DESIGN 3		



DepED-BLR



NOTES:
 1. All dimensions are in millimeter unless otherwise specified
 2. Remove burrs and sharp edges.

TOLERANCES FOR LENGTH GAUGING

Grade of Accuracy	Number of Size	Over	Under
A	0.5 to 3	+ 0.10	- 0.20
B	3 to 6	+ 0.20	- 0.30
C	6 to 30	+ 0.30	- 0.50
D	30 to 120	+ 0.50	- 0.75
E	120 to 400	+ 0.75	- 1.00

TOLERANCES FOR RADIIUS & CHAMFERS

Grade of Accuracy	Number of Size	Over	Under
A	0.5 to 3	+ 0.20	- 0.50
B	3 to 6	+ 0.50	- 0.75
C	6 to 30	+ 0.75	- 1.00
D	30 to 120	+ 1.00	- 1.25

REVISION

NO.	DESCRIPTION	DATE	BY
1	ISSUED FOR FABRICATION		
2			
3			

DESIGN INFORMATION

Date	JUNE 2017
Scale	(NTS)
Drawn by	B C Lisondra
Designed by	B C Lisondra
Checked by	R H Neri
Recommended by	R. C. Zaygoza/M. S. Madriles
Approved by	R. C. La Rosa

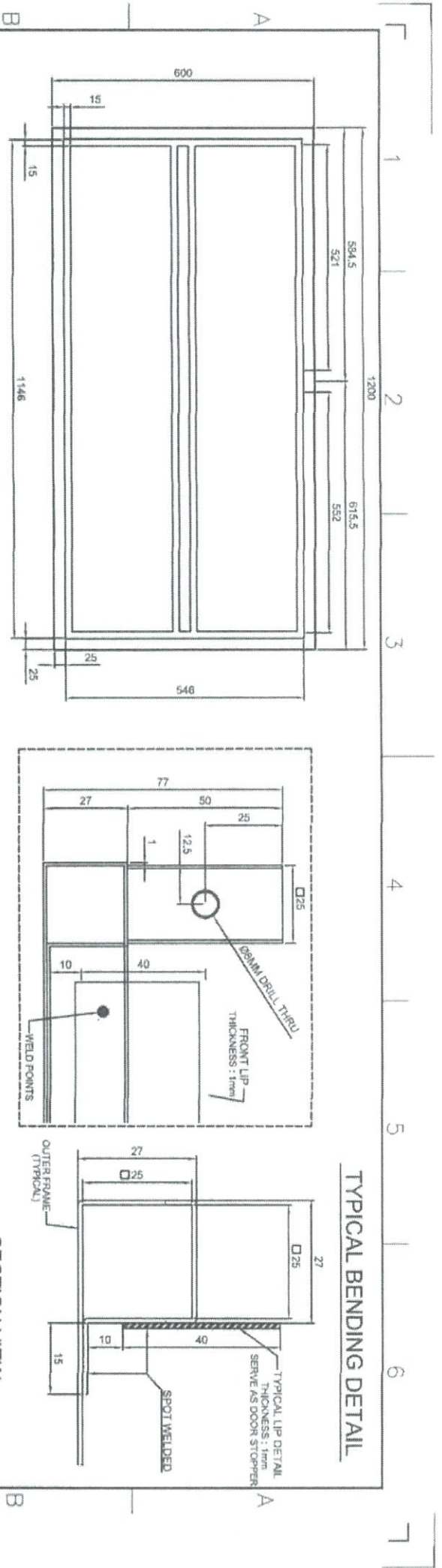
GOVERNMENT PROPERTY

CABINET FOR TVL
 CABINET DESIGN # 3

Item Name: BACK COVER A AND BACK COVER B DETAIL
 Sheet: 12

Material: 1mm THICK COLD-ROLLED STEEL SHEET
 File Name: CABINET DESIGN 3

DepED-BLR

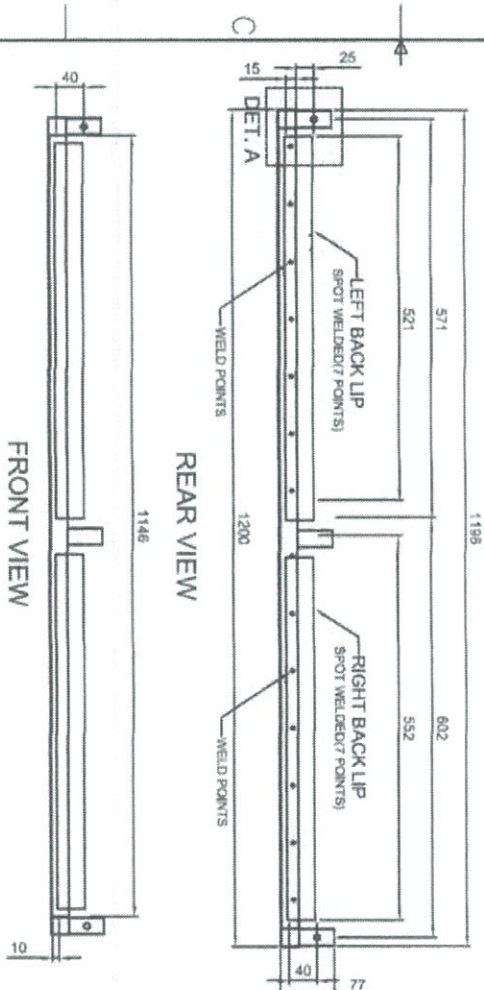


TOP VIEW

DET. A

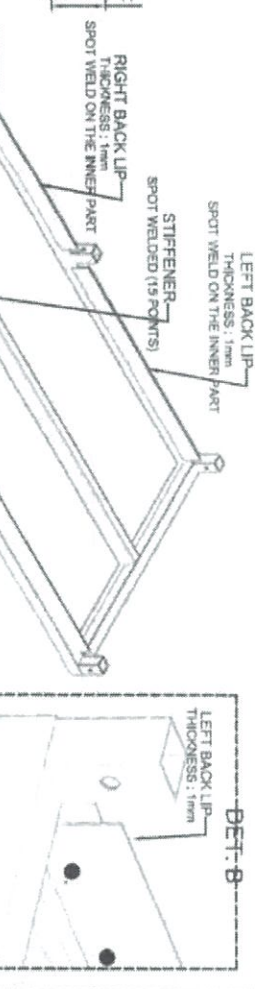
TYPICAL BENDING DETAIL

SECTION VIEW



FRONT VIEW

REAR VIEW



BOTTOM ISOMETRIC VIEW

DET. B

GOVERNMENT PROPERTY

- NOTES:
1. All dimensions are in millimeter unless otherwise specified
 2. Remove burrs and sharp edges.

TOLERANCES FOR LENGTH GAUGING

Grade of Accuracy	Over	Over	Over	Over
Medium	0.5 to 3	3 to 6	6 to 30	30 to 120
Medium	± 0.10	± 0.10	± 0.20	± 0.30
Medium	120 to 400	400 to 1200	1200 to 4000	4000 to 12000
Medium	± 0.50	± 0.50	± 1.00	± 1.50

TOLERANCES FOR RADII & CHAMFERS

Grade of Accuracy	Over	Over	Over	Over
Normal	0.2 to 3	3 to 6	6 to 30	30 to 120
Normal	± 0.20	± 0.50	± 1.00	± 2.00

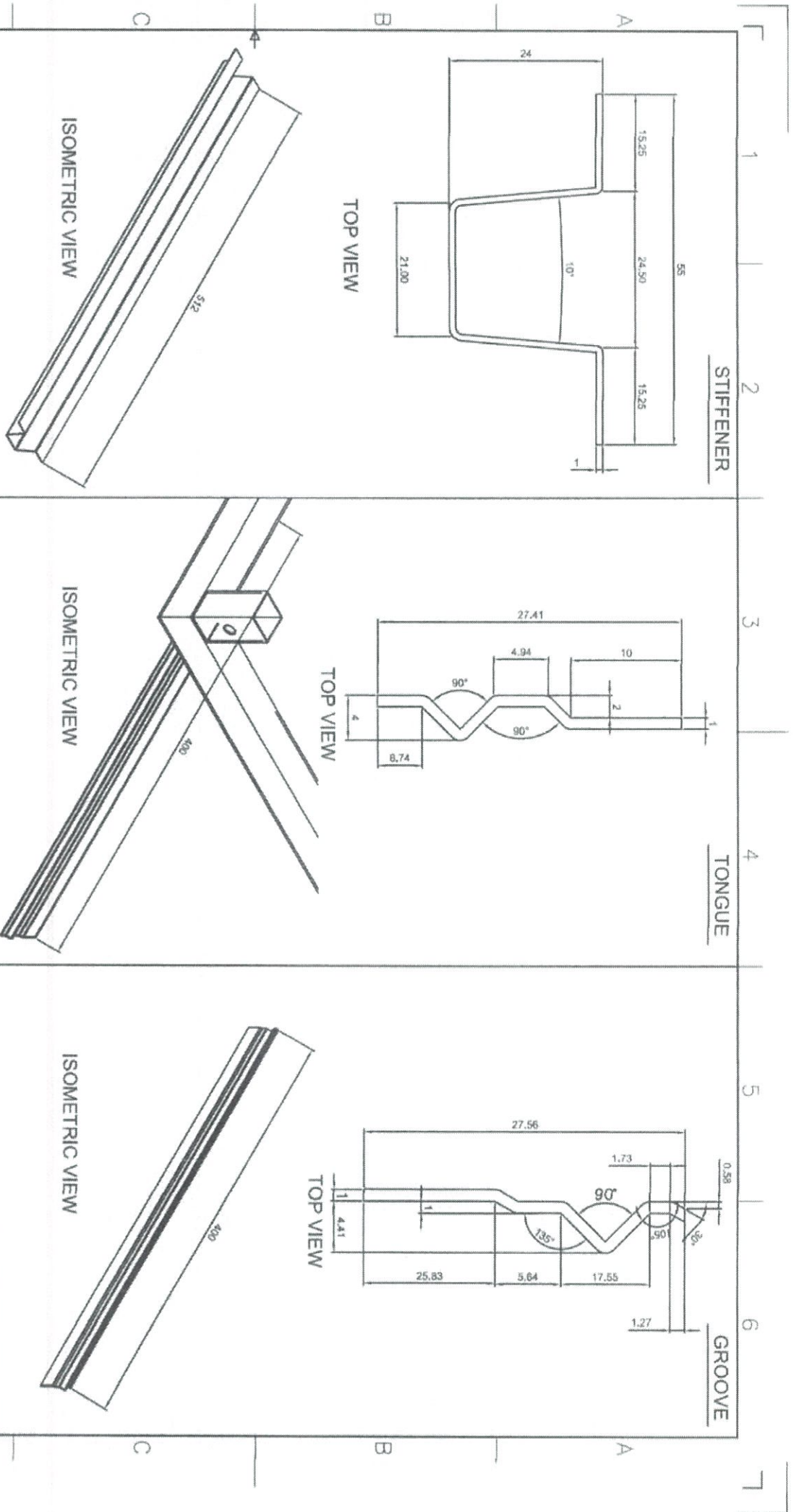


DATE	BY	REVISION	SYM

Date	JUNE 2017	Scale	(NTS)
Conceptualized by			
Drawn by	B C Lisandra	QC. Checked by	R H Neri
Designed by	B C Lisandra	Recommended by	R. C. Zaragoza, M. S. Maculles
Approved by	R. C. La Rosa		
Item Name	TOP COVER DETAIL	Sheet	13
Material	1mm THICK COLD-ROLLED STEEL SHEET	File name	CABINET DESIGN 3



DepED-BLR



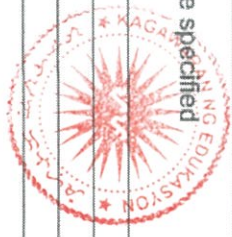
NOTES:
 1. All dimensions are in millimeter unless otherwise specified
 2. Remove burrs and sharp edges.

TOLERANCES FOR LENGTH GAUGING

Grade of Accuracy	Normal Size	Over	Over	Over	Over
Medium	0.5 to 3	+0.10	0 to 30	+0.20	+0.50
	3 to 6	+0.10	0 to 30	+0.20	+0.50
Fine	0.5 to 3	+0.05	0 to 30	+0.10	+0.25
	3 to 6	+0.05	0 to 30	+0.10	+0.25

TOLERANCES FOR RADIUS & CHAMFERS

Grade of Accuracy	Normal Size	Over	Over	Over	Over
Medium	0.5 to 3	+0.20	3 to 6	+0.50	+1.00
	3 to 6	+0.20	3 to 6	+0.50	+1.00
Fine	0.5 to 3	+0.10	3 to 6	+0.25	+0.50
	3 to 6	+0.10	3 to 6	+0.25	+0.50

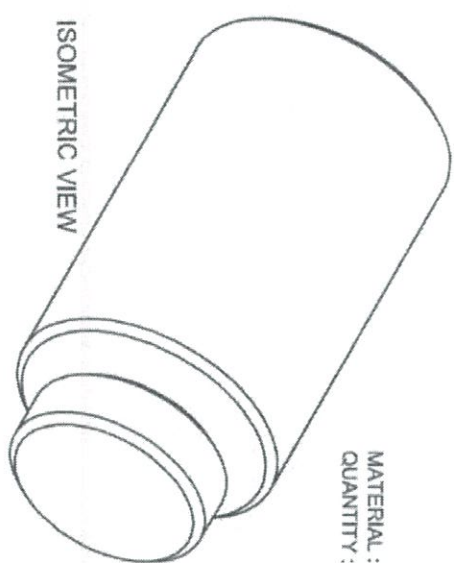
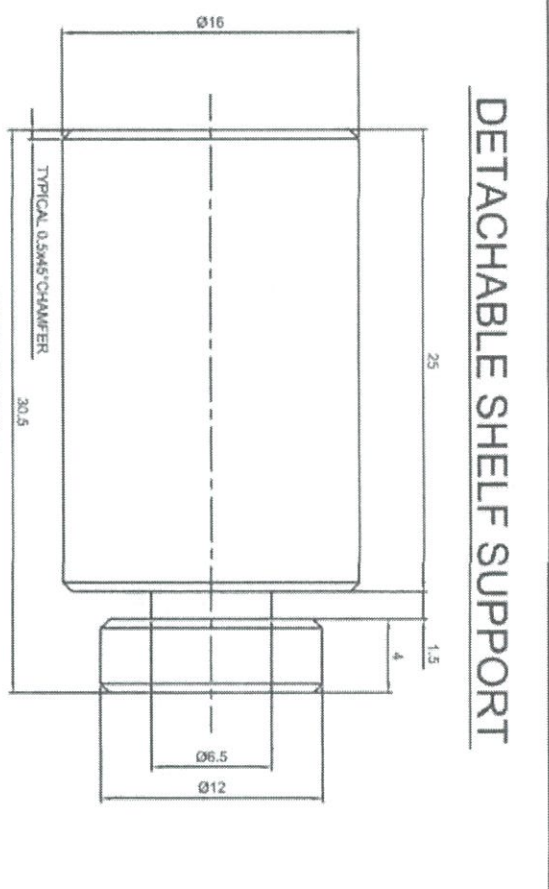
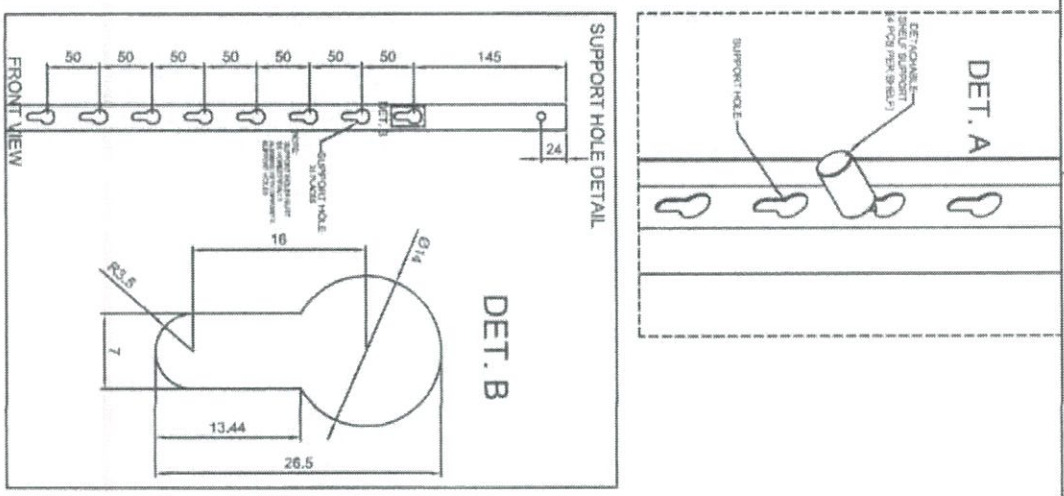
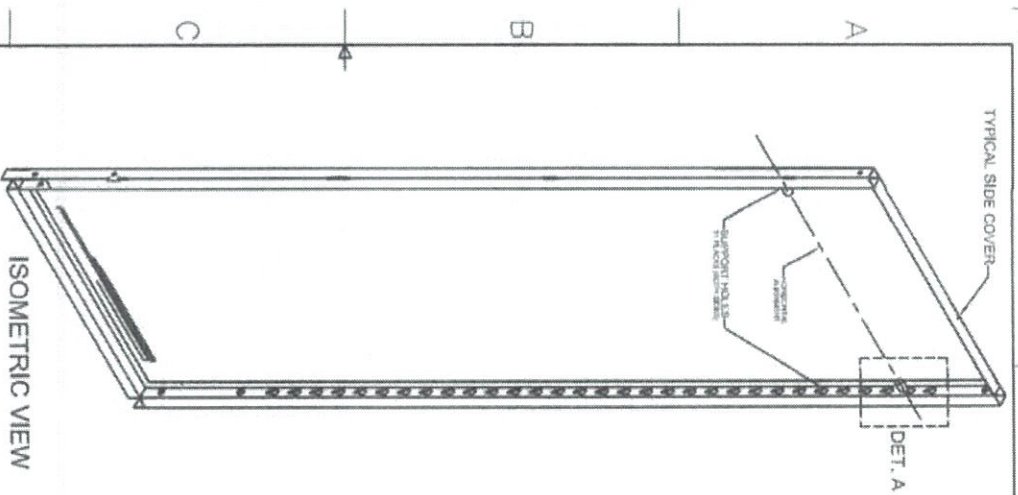


Date	JUNE 2017	Scale	(NTS)
Drawn by	B C Lisondra	Checked by	R H Men
Designed by	B C Lisondra	Q.C. Checked by	R H Men
Recommended by	R. C. Zaragoza/M.S. Maquillas	Approved by	R. C. La Rosa

Item Name	CABINET FOR TVL	Sheet	14
Material	TYPICAL LOCKING AND REINFORCEMENT DETAIL	File name	CABINET DESIGN 3
Item	1mm THICK COLD-ROLLED STEEL SHEET		

GOVERNMENT PROPERTY

DepED-BLR



MATERIAL : STAINLESS STEEL 304
 QUANTITY : 4 PCS. PER SHELF

GOVERNMENT PROPERTY

NOTES:
 1. All dimensions are in millimeter unless otherwise specified
 2. Remove burrs and sharp edges.

TOLERANCES FOR LENGTH GAUGING

Grade of Accuracy	Normal Size	Over 3 to 30	Over 30 to 300	Over 300 to 1200	Over 1200 to 4000
Medium	± 0.10	± 0.10	± 0.20	± 0.30	± 0.50

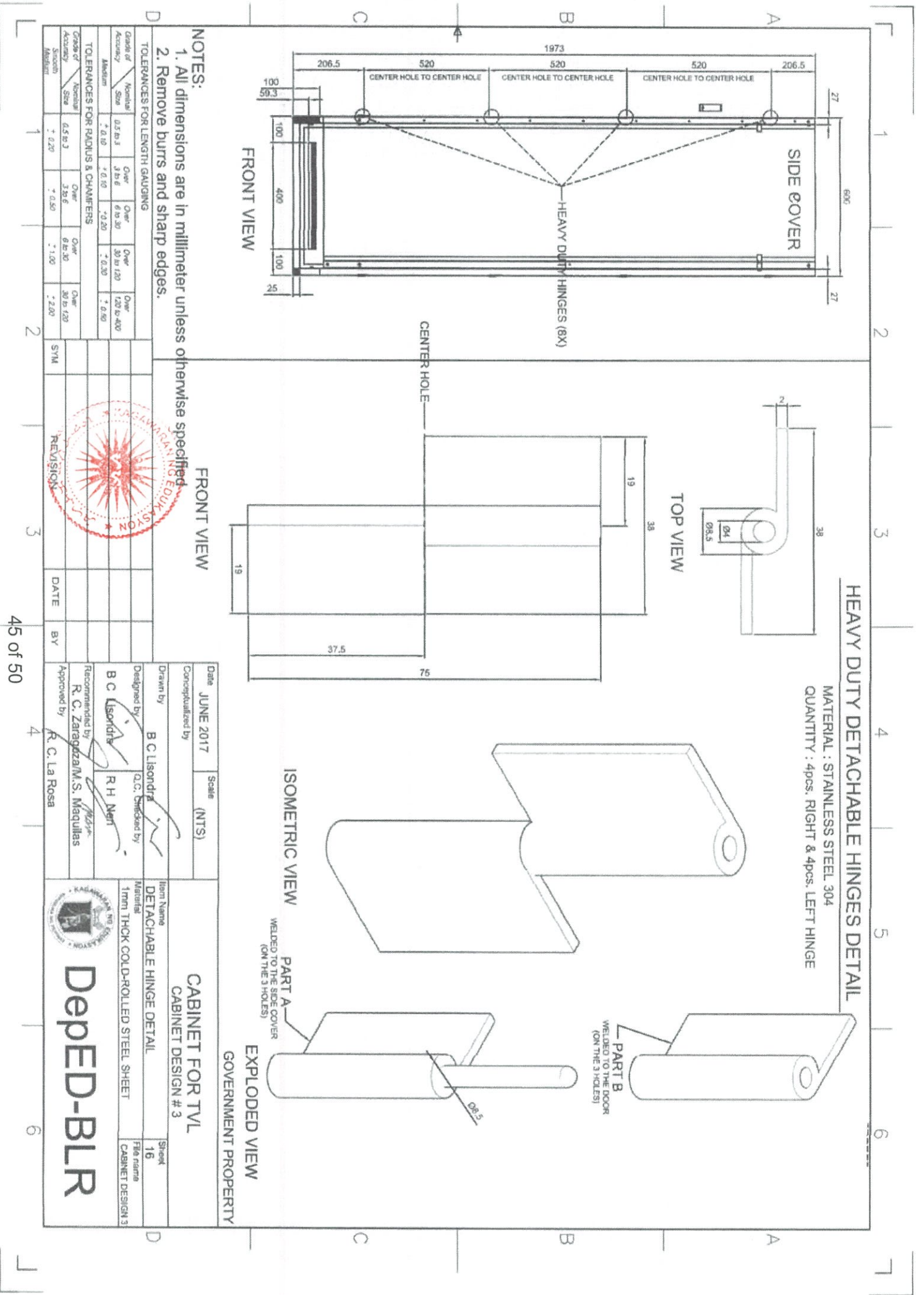
TOLERANCES FOR RADIUS & CHAMFERS

Grade of Accuracy	Normal Size	Over 3 to 30	Over 30 to 300	Over 300 to 1200	Over 1200 to 4000
Medium	± 0.20	± 0.20	± 0.30	± 0.50	± 1.00



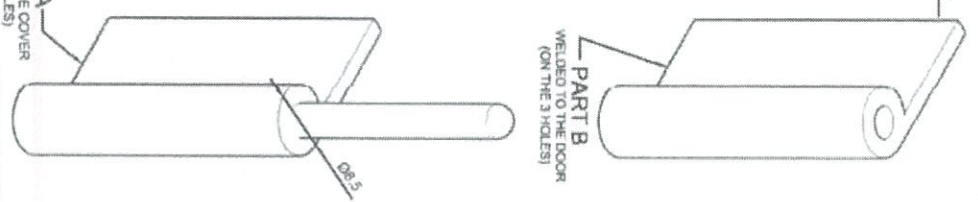
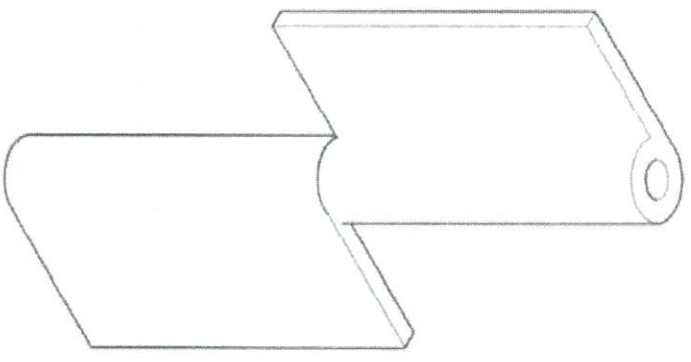
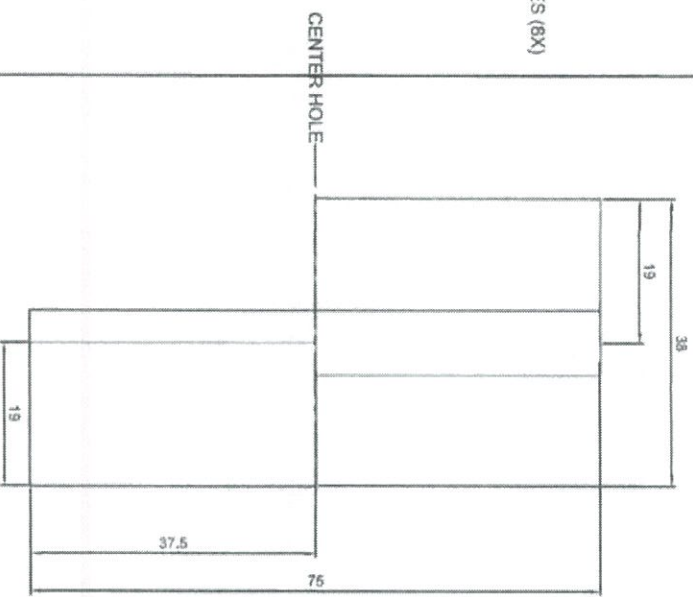
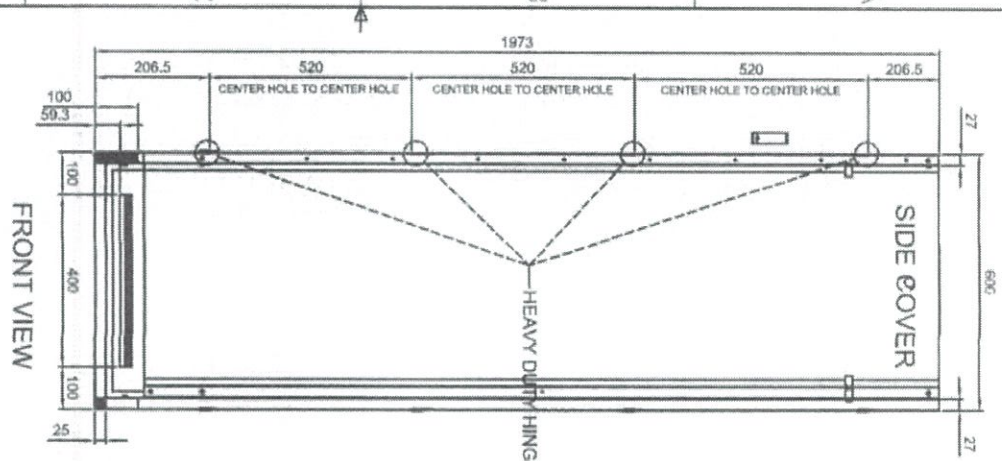
Date	JUNE 2017	Scale	(NTS)
Conceptualized by			
Drawn by	B. C. Lisondra	Q.C. Checked by	R.H. Merit
Designed by	B. C. Lisondra	Recommended by	R. C. Zaragosa/M.S. Maquillas
Approved by	R. C. La Rosa	Item Name	CABINET FOR TVL CABINET DESIGN # 3
Material	DETACHABLE SHELF SUPPORT PIN	Sheet	15
Material	1mm THICK COLD-ROLLED STEEL SHEET	File name	CABINET DESIGN 3

DepED-BLR



HEAVY DUTY DETACHABLE HINGES DETAIL

MATERIAL : STAINLESS STEEL 304
 QUANTITY : 4pcs. RIGHT & 4pcs. LEFT HINGE



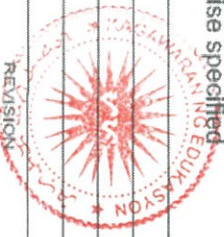
- NOTES:**
1. All dimensions are in millimeter unless otherwise specified.
 2. Remove burrs and sharp edges.

TOLERANCES FOR LENGTH GAUGING

Grade of Accuracy	Nominal Size	Over	Under	Nominal Size	Over	Under
Medium	0.5 to 3	+0.10	-0.20	3 to 6	+0.10	-0.20
	6 to 30	+0.10	-0.20	30 to 120	+0.20	-0.30
Fine	0.5 to 3	+0.05	-0.10	3 to 6	+0.05	-0.10
	6 to 30	+0.05	-0.10	30 to 120	+0.10	-0.15

TOLERANCES FOR RADIUS & CHAMFERS

Grade of Accuracy	Nominal Size	Over	Under	Nominal Size	Over	Under
Medium	0.5 to 3	+0.20	-0.50	3 to 6	+0.20	-0.50
	6 to 30	+0.20	-0.50	30 to 120	+0.50	-1.00
Fine	0.5 to 3	+0.10	-0.25	3 to 6	+0.10	-0.25
	6 to 30	+0.10	-0.25	30 to 120	+0.25	-0.50



Date	Scale
JUNE 2017	(NTS)
Designed by	Checked by
B C Lisondra	RH Men
Drawn by	QC
B C Lisondra	
Recommended by	Approved by
R. C. Zaragzana, S. Maquilas	R. C. La Rosa
DATE	BY

Date	Scale
JUNE 2017	(NTS)
Designed by	Checked by
B C Lisondra	RH Men
Drawn by	QC
B C Lisondra	
Recommended by	Approved by
R. C. Zaragzana, S. Maquilas	R. C. La Rosa
DATE	BY

Date	Scale
JUNE 2017	(NTS)
Designed by	Checked by
B C Lisondra	RH Men
Drawn by	QC
B C Lisondra	
Recommended by	Approved by
R. C. Zaragzana, S. Maquilas	R. C. La Rosa
DATE	BY

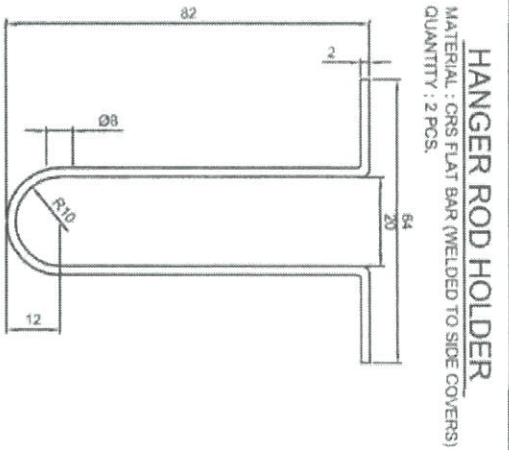
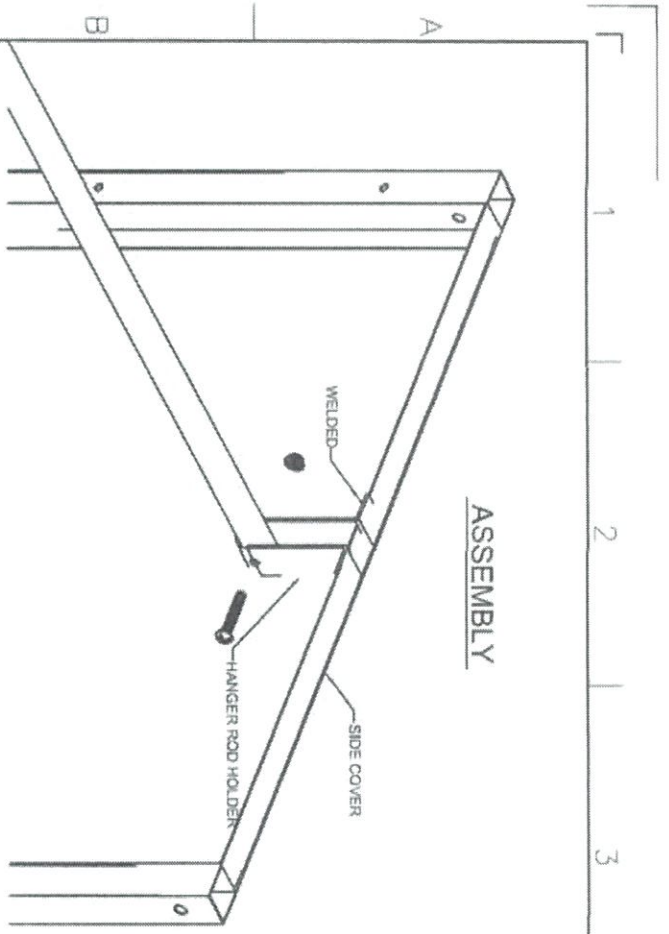
GOVERNMENT PROPERTY

CABINET FOR TVL
 CABINET DESIGN # 3

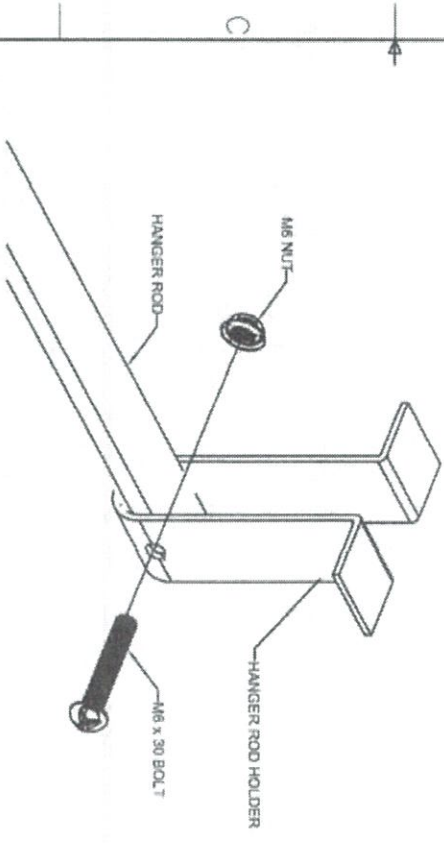
Item Name	Sheet
DETACHABLE HINGE DETAIL	16
Material	File name
1mm THICK COLD-ROLLED STEEL SHEET	CABINET DESIGN 3



DepED-BLR



HANGER ROD
 MATERIAL : STAINLESS STEEL, 304 TUBE
 QUANTITY : 1 PC.



NOTES:
 1. All dimensions are in millimeter unless otherwise specified.
 2. Remove burrs and sharp edges.

TOLERANCES FOR LENGTH GAUGING

Grade of Accuracy	Nominal Size	Over	Under
High	0.5 to 3	0 to +0.10	-0.10 to 0
	3 to 6	0 to +0.15	-0.15 to 0
Medium	0.5 to 3	0 to +0.15	-0.15 to 0
	3 to 6	0 to +0.20	-0.20 to 0
Low	0.5 to 3	0 to +0.20	-0.20 to 0
	3 to 6	0 to +0.30	-0.30 to 0

TOLERANCES FOR RADII & CHAMFERS

Grade of Accuracy	Nominal Size	Over	Under
High	0.5 to 3	0 to +0.10	-0.10 to 0
	3 to 6	0 to +0.15	-0.15 to 0
Medium	0.5 to 3	0 to +0.15	-0.15 to 0
	3 to 6	0 to +0.20	-0.20 to 0
Low	0.5 to 3	0 to +0.20	-0.20 to 0
	3 to 6	0 to +0.30	-0.30 to 0



REVISION	DATE	BY

Date	JUNE 2017	Scale	(NTS)
Designed by	B C Usendra	Checked by	R H Meri
Drawn by	B C Usendra	QC Checked by	R C Zaragoza / S. Magallanes
Recommended by	R C Zaragoza / S. Magallanes	Approved by	R. C. La Rosa

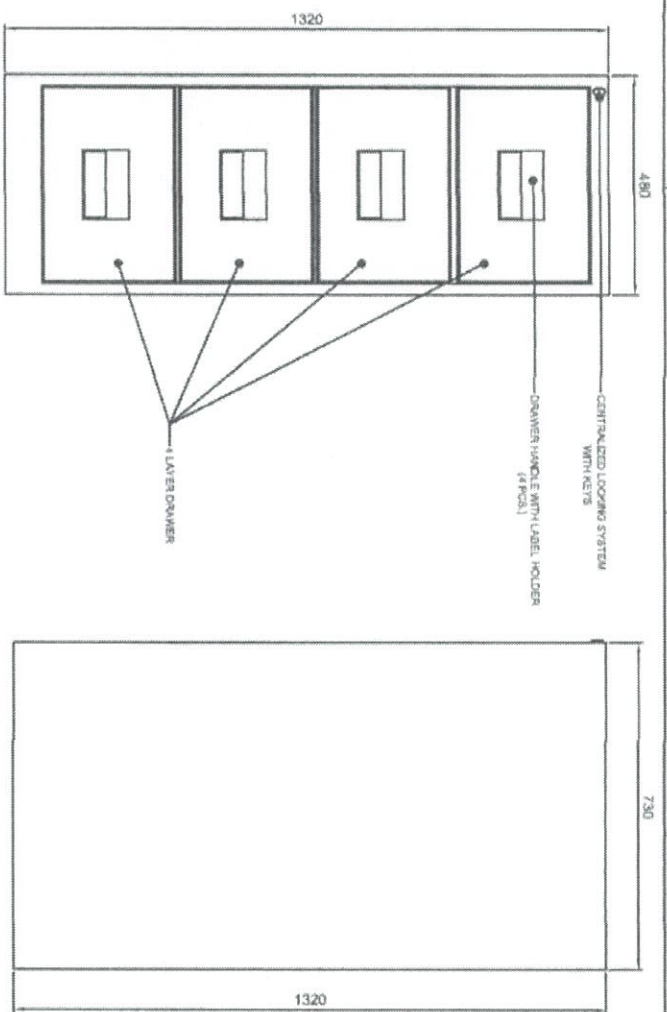
GOVERNMENT PROPERTY

CABINET FOR TVL
 CABINET DESIGN # 3

Item Name: HANGER DETAILS
 Material: 1mm THICK COLD-ROLLED STEEL SHEET
 Sheet: 17
 File name: CABINET DESIGN 3

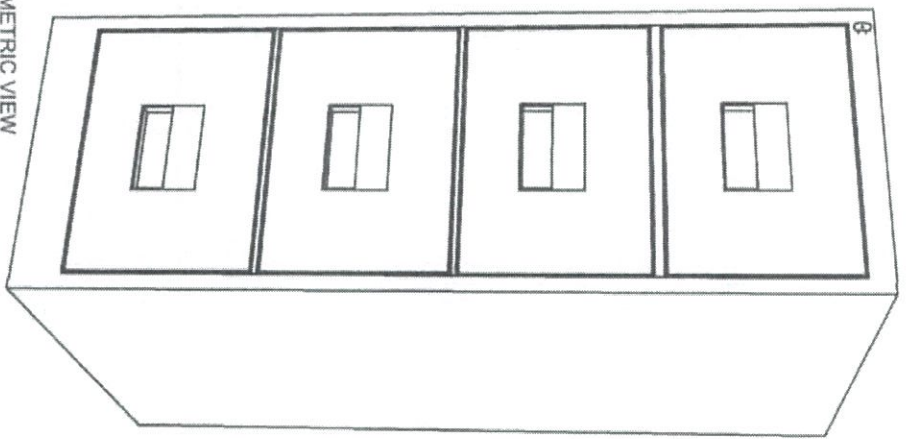


DepED-BLR



FRONT VIEW

SIDE VIEW



ISOMETRIC VIEW

Description :

- Color : Cyan Blue: C, M, Y, K (71,53,0,12)
- Material : 1,00mm Thick Cold-rolled Steel Sheet,
- Size : 1320mm x 480mm x 730mm
- Feature : Durable and Fashionable

About Cabinet :

1. 1,00mm thickness sheet then powder coat. (Welded surface must be hidden).
2. The cabinet body's material is cold-rolled steel.
3. 4-layered drawer with label holder on each drawer handle.
4. Drawer rails must have roller bearing on each side for easy opening.
5. 1 set centralized locking system with keys.
6. Assembled type cabinet.

NOTES:

1. All dimensions are in millimeter unless otherwise specified
2. Remove burrs and sharp edges.
3. See details on succeeding sheets.

TOLERANCES FOR LENGTH GAUGING

Grade of Accuracy	Over	Over	Over	Over
Medium	± 0.10	± 0.10	± 0.20	± 0.30
Standard	± 0.15	± 0.20	± 0.30	± 0.40

TOLERANCES FOR RADII & CHAMFERS

Grade of Accuracy	Over	Over	Over	Over
Medium	± 0.25	± 0.30	± 0.40	± 0.50
Standard	± 0.35	± 0.45	± 0.60	± 0.80

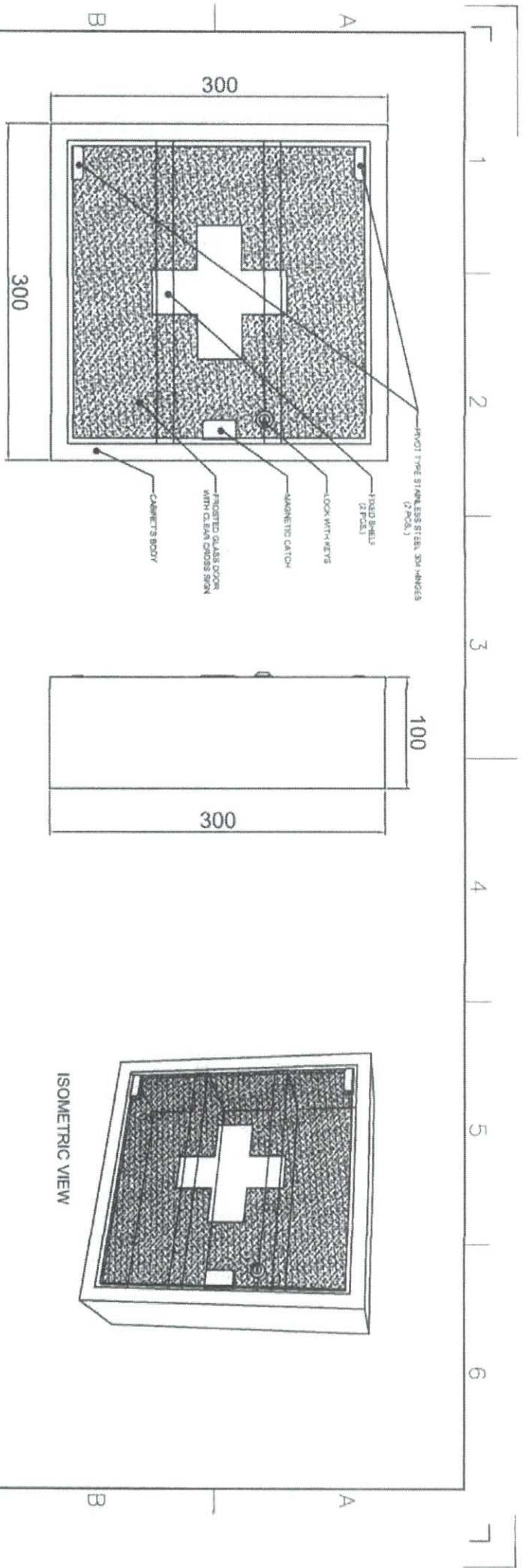


Date	JUNE 2017	Scale	(NTS)
Designed by	B C Lisondra	Q.C. Checked by	RH Merf
Recommended by	R. C. Zarigoza M. S. Marquillas	Approved by	R. C. La Rosa

Item Name	NON-COLLAPSIBLE STEEL FILING CABINET ASSEMBLY	Sheet	01
Material	1mm THICK COLD-ROLLED STEEL SHEET	File name	CABINET DESIGN 4

DepED-BLR

GOVERNMENT PROPERTY



Description :
 Finish : Polished
 Material : 1.00mm Thick Stainless Steel 304 Sheet
 Size : 300mm x 300mm x 100mm
 Feature : Durable and Fashionable

About Cabinet :

1. 1.00mm thickness stainless steel 304 sheet then polished.
2. The cabinet body's material is stainless steel 304.
3. 2 fixed shelves.
4. 1 set lock with keys.
5. Wall mounted (includes screws for mounting).
6. Hinged type with magnetic catch.
7. 6mm thick frosted glass door with clear cross sign at the center.
8. Assembled type cabinet.

NOTES:

1. All dimensions are in millimeter unless otherwise specified
2. Remove burrs and sharp edges.
3. See details on succeeding sheets.

TOLERANCES FOR LENGTH GAUGING

Grade of Accuracy	Over	Over	Over	Over
Medium	+0.10	+0.10	+0.30	+0.50
Good	0.5 to 3	3 to 6	6 to 30	30 to 120
Excellent	0.5 to 3	3 to 6	6 to 30	30 to 120

TOLERANCES FOR RADIUS & CHAMFERS

Grade of Accuracy	Over	Over	Over	Over
Medium	+0.20	+0.20	+1.00	+2.00
Good	0.5 to 3	3 to 6	6 to 30	30 to 120
Excellent	0.5 to 3	3 to 6	6 to 30	30 to 120



REVISION	DATE	BY

Date: JUNE 2017 Scale: (NTS)

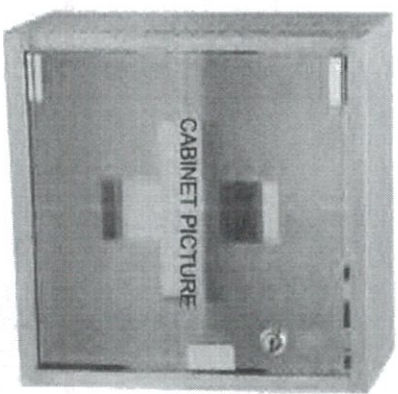
Conceptualized by: *[Signature]*

Drawn by: B.C. Lisandra, Q.C. Checked by: *[Signature]*

Designed by: B.C. Lisandra, R.H. Neri

Recommended by: R.C. Zayagoza, S. Macullias

Approved by: R.C. La Rosa



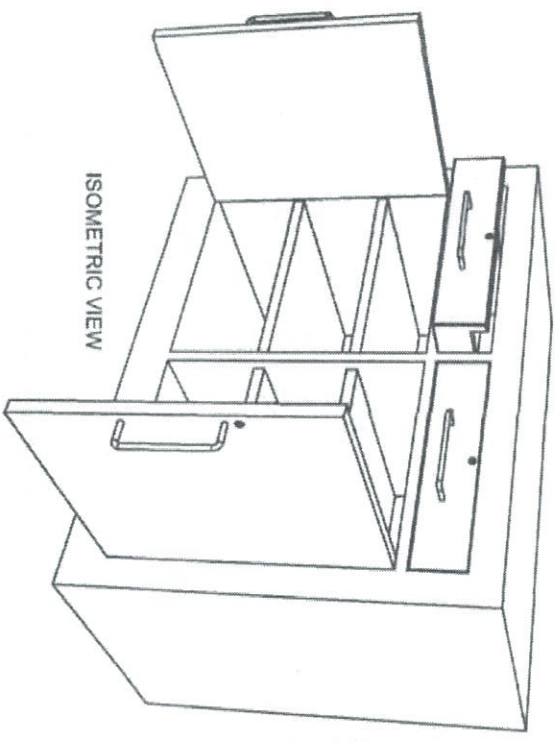
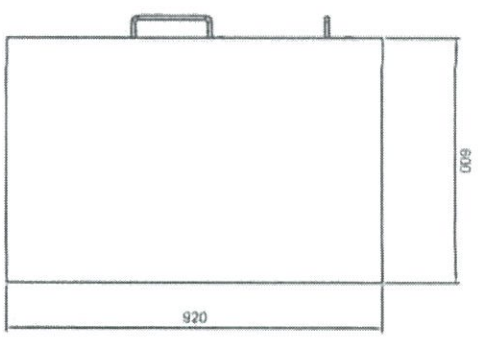
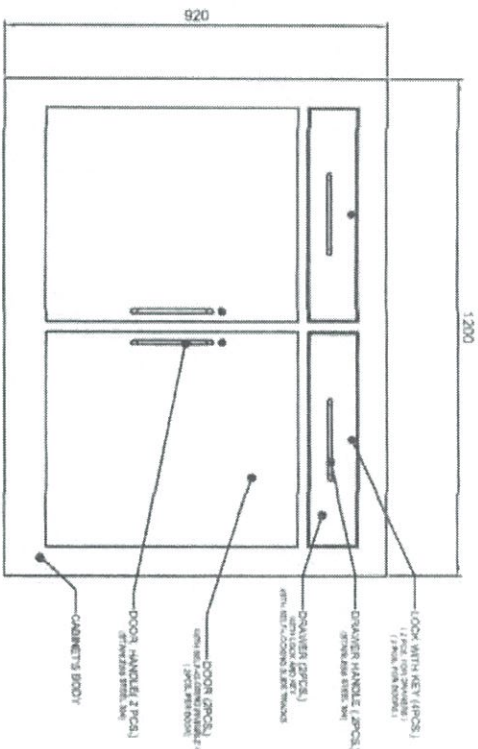
GOVERNMENT PROPERTY

CABINET FOR TVL
 CABINET DESIGN # 5

Item Name	Material	Sheet
NON-COLLAPSIBLE FIRST AID CABINET (STEEL)	1mm THICK STAINLESS STEEL 304 SHEET	01
		CABINET DESIGN 5



DepED-BLR



FRONT VIEW

SIDE VIEW

Description :

- Finish : Polished
- Material : 1.00mm Thick Stainless Steel 304 Sheet
- Size : 1,200mm x 920mm x 600mm
- Feature : Durable and Fashionable

About Cabinet :

1. 1.00mm thickness stainless steel 304 sheet then polished.
2. The cabinet body's material is stainless steel 304.
3. 4 Adjustable and detachable shelves with support set.
4. Self-closing slide track (1 set per drawer).
5. Self-closing invisible door hinges (2 pcs. per door).
6. Stainless steel 304 door and drawer handles (screw mounted).
7. Assembled type cabinet.

NOTES:

1. All dimensions are in millimeter unless otherwise specified
2. Remove burrs and sharp edges.
3. See details on succeeding sheets.

TOLERANCES FOR LENGTH GAUGING

Grade of Accuracy	Over	Over	Over	Over
Maximum	+ 0.10	+ 0.10	+ 0.20	+ 0.50
Normal	+ 0.15	+ 0.20	+ 0.30	+ 0.50
Minimum	- 0.10	- 0.10	- 0.20	- 0.50

TOLERANCES FOR RADII & CHAMFERS

Grade of Accuracy	Over	Over	Over	Over
Maximum	+ 0.20	+ 0.20	+ 0.50	+ 1.00
Normal	+ 0.20	+ 0.20	+ 0.50	+ 1.00
Minimum	- 0.20	- 0.20	- 0.50	- 1.00



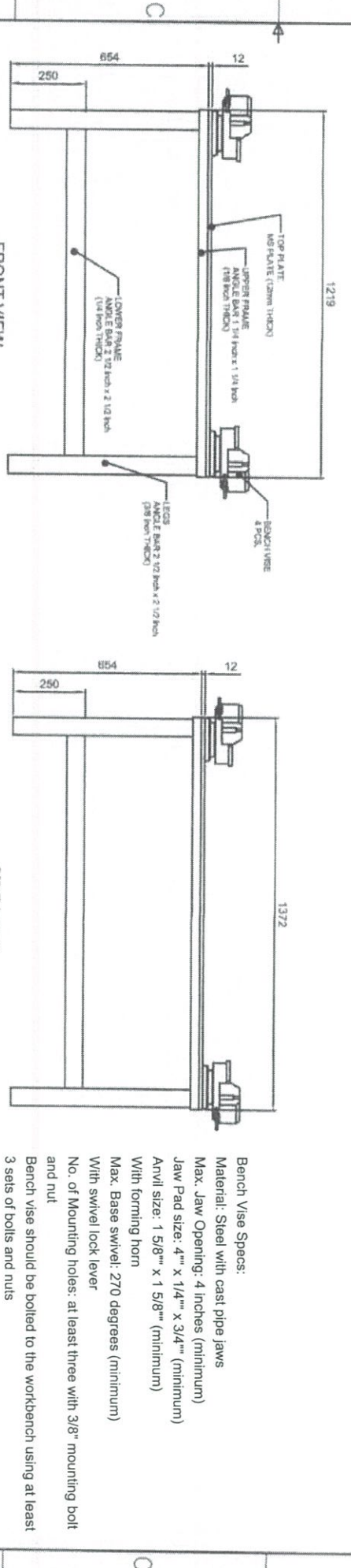
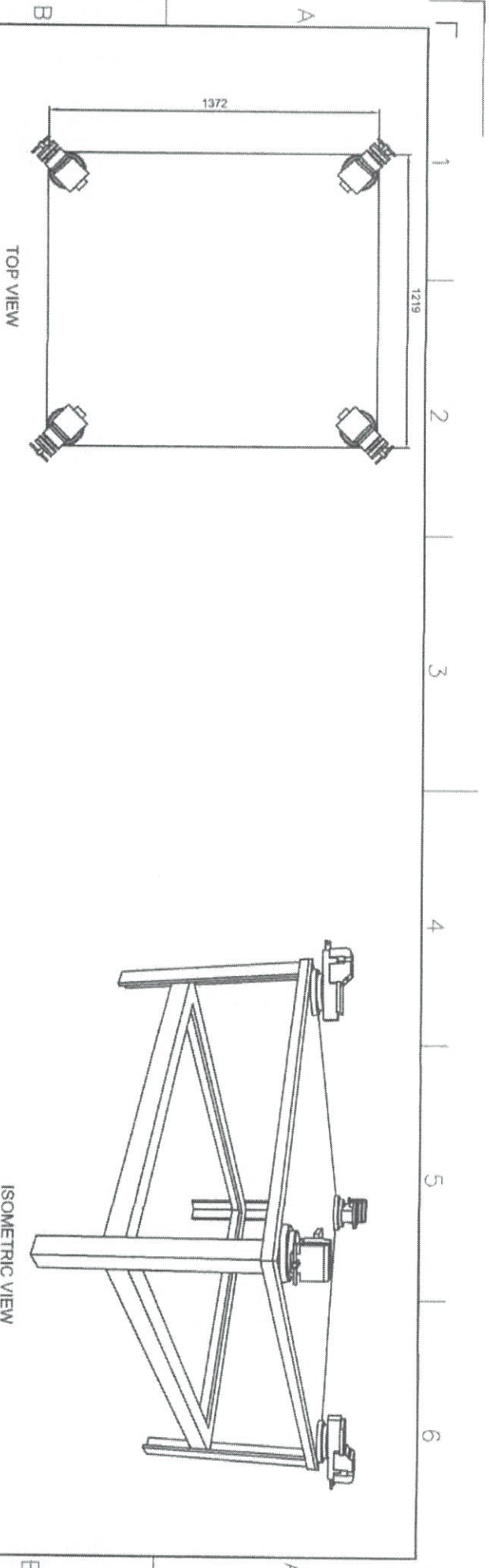
DATE	BY	REVISION	DATE	BY
JUNE 2017	B C Lisondra	1		

Date	JUNE 2017	Scale	(NTS)
Designed by	B C Lisondra	Checked by	R H Nerf
Drawn by	B C Lisondra	Approved by	R. C. La Rosa
Material	NON-COLLAPSIBLE STEEL WATER STATION CABINET	Item Name	CABINET FOR TVL
Material	1mm THICK STAINLESS STEEL 304 SHEET	Sheet	01
Material	1mm THICK STAINLESS STEEL 304 SHEET	File name	CABINET DESIGN 6



DepED-BLR

GOVERNMENT PROPERTY



Notes:
 1. All dimensions are in millimeter unless otherwise specified.
 2. Remove burrs and sharp edges.
 3. All joints are welded.
 4. Workbench must be painted with primer and finished with light gray color (#D3D3D3) (RGB (211, 211, 211)).

TOLERANCES FOR LENGTH GAUGING

Grade of Accuracy	Normal Size	Over 0.5 to 3	Over 3 to 6	Over 6 to 30	Over 30 to 120	Over 120 to 400
Accuracy	± 0.10	± 0.10	± 0.20	± 0.30	± 0.50	

TOLERANCES FOR RADIUS & CHAMFERS

Grade of Accuracy	Normal Size	Over 0.5 to 3	Over 3 to 6	Over 6 to 30	Over 30 to 120
Accuracy	± 0.20	± 0.50	± 1.00	± 2.00	



Date: NOV 2017 Scale: (NTS)
 Conceptualized by: _____
 Drawn by: B.C. Lisondra
 Designed by: B.C. Lisondra
 Q.C. Checked by: R.H. Meri
 Recommended by: R.C. Zangozal/Mrs. Maquilas
 Approved by: R.C. La Rosa

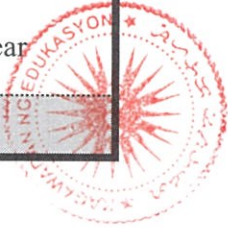
Item Name: WORK BENCH WITH BENCH VISE ON 4 CORNERS
 Material: 12mm THICK MS PLATE, 1/8inch THICK ANGLE BAR
 Sheet: 01
 File name: WORK BENCH

GOVERNMENT PROPERTY

MASS PRODUCTION, SUPPLY AND DELIVERY FOR VARIOUS TOOLS AND EQUIPMENT FOR 9,069 TECHNICAL-VOCATIONAL-LIVELIHOOD (TVL) PROGRAMS OF 2,195 TVL SENIOR HIGH SCHOOLS

WARRANTY PERIOD

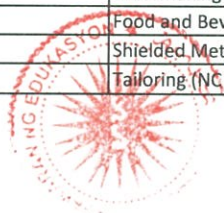
MASS PRODUCTION		
Item No.	Item Description	Warranty Period
1	CABINET DESIGN 1	1 year
2	CABINET DESIGN 2	1 year
3	CABINET DESIGN 3	1 year
4	CABINET DESIGN 4 (FILING CABINET)	1 year
5	CABINET DESIGN 5 (FIRST AID CABINET)	1 year
6	CABINET DESIGN 6 (WATER STATION CABINET)	1 year
7	WORK BENCH WITH BENCH VISE ON FOUR CORNERS	1 year



DEPARTMENT OF EDUCATION
BUREAU OF LEARNING RESOURCES
FY 2018 TVL Tools and Equipment Allocation List

Lot No. 3 Mass Production

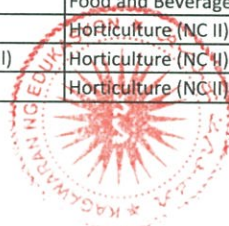
Region	Division	School_id	School_name	Municipality	Program/Specialization (EBEIS)	2018 No. of Packages
ARMM	Lanao del Sur - I	324601	Datu Mamintal Adiong Sr. Mem. NHS	BUBONG	Agricultural Crops Production (NC I)	3
ARMM	Lanao del Sur - I	324601	Datu Mamintal Adiong Sr. Mem. NHS	BUBONG	Cookery (NC II)	2
ARMM	Lanao del Sur - I	318116	East Bayabao Integrated NHS of Vocatio	BUBONG	Dressmaking (NC II)	4
ARMM	Lanao del Sur - I	318116	East Bayabao Integrated NHS of Vocatio	BUBONG	Tailoring (NC II)	4
ARMM	Lanao del Sur - I	324601	Datu Mamintal Adiong Sr. Mem. NHS	BUBONG	Tailoring (NC II)	3
ARMM	Lanao del Sur - II	318218	Madamba National High School	MADAMBA	Aquaculture (NC II)	1
ARMM	Lanao del Sur - II	304979	Andong National High School	LUMBATAN	Dressmaking (NC II)	2
ARMM	Lanao del Sur - II	304988	Lakitan National High School	MADAMBA	Dressmaking (NC II)	1
ARMM	Lanao del Sur - II	304979	Andong National High School	LUMBATAN	Organic Agriculture (NC II)	2
ARMM	Maguindanao I	318310	Sapakan NHS	SULTAN SA BARONGIS (LAMB	Cookery (NC II)	1
ARMM	Maguindanao I	305014	Maguindanao National High School	SHARIFF AGUAK (MAGANOY)	Food and Beverage Services (NC II)	1
ARMM	Maguindanao I	305006	Datu Udtog Matalam Sr. MNHS	PAGALUNGAN	Horticulture (NC II)	1
ARMM	Maguindanao I	305004	Datu Paglas NHS	DATU PAGLAS	Organic Agriculture (NC II)	1
ARMM	Maguindanao I	305014	Maguindanao National High School	SHARIFF AGUAK (MAGANOY)	Tailoring (NC II)	1
ARMM	Maguindanao II	326001	Making Integrated Vocational & Technol	PARANG	Dressmaking (NC II)	1
ARMM	Maguindanao II	326001	Making Integrated Vocational & Technol	PARANG	Tailoring (NC II)	1
CAR	Abra	305098	Manabo NHS (San Jose Catacdegan NHS)	MANABO	Cookery (NC II)	1
CAR	Abra	305091	Northern Abra NHS	SAN JUAN	Cookery (NC II)	1
CAR	Abra	305098	Manabo NHS (San Jose Catacdegan NHS)	MANABO	Food and Beverage Services (NC II)	1
CAR	Abra	305091	Northern Abra NHS	SAN JUAN	Food and Beverage Services (NC II)	1
CAR	Abra	305075	Abra HS	BANGUED (Capital)	Shielded Metal Arc Welding (NC I and NC II)	2
CAR	Apayao	305121	Mayor Ricardo de San Jose, Sr. Comp. HS	FLORA	Cookery (NC II)	1
CAR	Apayao	305121	Mayor Ricardo de San Jose, Sr. Comp. HS	FLORA	Food and Beverage Services (NC II)	1
CAR	Apayao	305123	Pudtol NHS	PUDTOL	Food and Beverage Services (NC II)	1
CAR	Apayao	305108	BAC-DA National High School	LUNA	Food and Beverage Services (NC II)	1
CAR	Apayao	305108	BAC-DA National High School	LUNA	Housekeeping (NC II)	1
CAR	Baguio City	305269	Baguio City High School - Main	BAGUIO CITY	Cookery (NC II)	2
CAR	Baguio City	340055	Baguio City National Science High School	BAGUIO CITY	Cookery (NC II)	1
CAR	Baguio City	305279	Sto. Tomas National High School	BAGUIO CITY	Cookery (NC II)	1
CAR	Baguio City	305269	Baguio City High School - Main	BAGUIO CITY	Food and Beverage Services (NC II)	2
CAR	Baguio City	340055	Baguio City National Science High School	BAGUIO CITY	Food and Beverage Services (NC II)	1
CAR	Baguio City	305279	Sto. Tomas National High School	BAGUIO CITY	Food and Beverage Services (NC II)	1
CAR	Benguet	305162	Tublay School of Home Industries-Main	TUBLAY	Cookery (NC II)	2
CAR	Benguet	305126	Ampucao National High School	ITOGON	Cookery (NC II)	1
CAR	Benguet	305163	Tublay School of Home Industries - Anne	BOKOD	Cookery (NC II)	1
CAR	Benguet	305135	Bokod NHS-Main	BOKOD	Food and Beverage Services (NC II)	1
CAR	Benguet	305138	Loo National High School	BUGUIAS	Housekeeping (NC II)	1
CAR	Benguet	305143	Gov. Bado Dangwa Agro-Industrial Schoo	KAPANGAN	Shielded Metal Arc Welding (NC I and NC II)	1
CAR	Benguet	305138	Loo National High School	BUGUIAS	Tailoring (NC II)	1
CAR	Benguet	305135	Bokod NHS-Main	BOKOD	Tailoring (NC II)	1
CAR	Ifugao	305190	Sta. Maria National High School	ALFONSO LISTA (POTIA)	Agricultural Crops Production (NC I)	1
CAR	Ifugao	305177	Hapid NHS - Bimpal Annex	LAMUT	Cookery (NC II)	1
CAR	Ifugao	305187	Namillangan NHS	ALFONSO LISTA (POTIA)	Cookery (NC II)	1
CAR	Ifugao	305177	Hapid NHS - Bimpal Annex	LAMUT	Food and Beverage Services (NC II)	1
CAR	Ifugao	305187	Namillangan NHS	ALFONSO LISTA (POTIA)	Food and Beverage Services (NC II)	1
CAR	Ifugao	340118	SHS within Namulditan ES	HINGYON	Food and Beverage Services (NC II)	1
CAR	Ifugao	305190	Sta. Maria National High School	ALFONSO LISTA (POTIA)	Organic Agriculture (NC II)	1
CAR	Kalinga	305216	Pinukpuk Vocational School	PINUKPUK	Cookery (NC II)	1
CAR	Kalinga	305216	Pinukpuk Vocational School	PINUKPUK	Dressmaking (NC II)	1
CAR	Kalinga	305216	Pinukpuk Vocational School	PINUKPUK	Food and Beverage Services (NC II)	1
CAR	Kalinga	305216	Pinukpuk Vocational School	PINUKPUK	Shielded Metal Arc Welding (NC I and NC II)	1
CAR	Kalinga	305216	Pinukpuk Vocational School	PINUKPUK	Tailoring (NC II)	1



DEPARTMENT OF EDUCATION
BUREAU OF LEARNING RESOURCES
FY 2018 TVL Tools and Equipment Allocation List

Lot No. 3 Mass Production

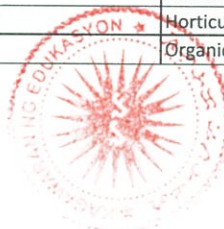
Region	Division	School_id	School_name	Municipality	Program/Specialization (EBEIS)	2018 No. of Packages
CAR	Mt. Province	319220	Anonat National Agricultural and Vocational High School	PARACELIS	Agricultural Crops Production (NC I)	1
CAR	Mt. Province	305262	Pingad National High School	SABANGAN	Cookery (NC II)	2
CAR	Mt. Province	305267	Tadian School of Arts & Trades	TADIAN	Cookery (NC II)	2
CAR	Mt. Province	305255	Mt. Prov. Gen. Comprehensive HS	BONTOC (Capital)	Cookery (NC II)	1
CAR	Mt. Province	305242	Eastern Bontoc NAVHS	BARLIG	Cookery (NC II)	1
CAR	Mt. Province	305252	Mt. Data National High School	BAUKO	Cookery (NC II)	1
CAR	Mt. Province	305231	Paracelis Technical & Vocational High School	PARACELIS	Cookery (NC II)	1
CAR	Mt. Province	305262	Pingad National High School	SABANGAN	Food and Beverage Services (NC II)	2
CAR	Mt. Province	305267	Tadian School of Arts & Trades	TADIAN	Food and Beverage Services (NC II)	2
CAR	Mt. Province	305255	Mt. Prov. Gen. Comprehensive HS	BONTOC (Capital)	Food and Beverage Services (NC II)	1
CAR	Mt. Province	305242	Eastern Bontoc NAVHS	BARLIG	Food and Beverage Services (NC II)	1
CAR	Mt. Province	305252	Mt. Data National High School	BAUKO	Food and Beverage Services (NC II)	1
CAR	Mt. Province	305231	Paracelis Technical & Vocational High School	PARACELIS	Food and Beverage Services (NC II)	1
CAR	Mt. Province	305252	Mt. Data National High School	BAUKO	Gas Metal Arc Welding- GMAW (NC II)	1
CAR	Mt. Province	305252	Mt. Data National High School	BAUKO	Shielded Metal Arc Welding (NC II)	1
CARAGA	Agusan del Norte	304673	Agay National High School	REMEDIOS T. ROMUALDEZ	Cookery (NC II)	2
CARAGA	Agusan del Norte	304674	Buenavista NHS	BUENAVISTA	Cookery (NC II)	2
CARAGA	Agusan del Norte	304688	Kitcharao NHS	KITCHARAO	Cookery (NC II)	1
CARAGA	Agusan del Norte	304691	Magallanes National High School	MAGALLANES	Cookery (NC II)	1
CARAGA	Agusan del Norte	304679	Durian NHS	LAS NIEVES	Cookery (NC II)	1
CARAGA	Agusan del Norte	304686	Jagupit NHS	SANTIAGO	Cookery (NC II)	1
CARAGA	Agusan del Norte	304695	Mat-i NHS	LAS NIEVES	Cookery (NC II)	1
CARAGA	Agusan del Norte	304689	Las Nieves NHS	LAS NIEVES	Cookery (NC II)	1
CARAGA	Agusan del Norte	317315	Agong-ong NHS (Buenavista NHS Annex)	BUENAVISTA	Cookery (NC II)	1
CARAGA	Agusan del Norte	317311	Balangbalang NHS (Agay NHS Annex)	REMEDIOS T. ROMUALDEZ	Dressmaking (NC II)	1
CARAGA	Agusan del Norte	304673	Agay National High School	REMEDIOS T. ROMUALDEZ	Food and Beverage Services (NC II)	2
CARAGA	Agusan del Norte	304674	Buenavista NHS	BUENAVISTA	Food and Beverage Services (NC II)	2
CARAGA	Agusan del Norte	304688	Kitcharao NHS	KITCHARAO	Food and Beverage Services (NC II)	1
CARAGA	Agusan del Norte	304691	Magallanes National High School	MAGALLANES	Food and Beverage Services (NC II)	1
CARAGA	Agusan del Norte	304686	Jagupit NHS	SANTIAGO	Food and Beverage Services (NC II)	1
CARAGA	Agusan del Norte	304689	Las Nieves NHS	LAS NIEVES	Food and Beverage Services (NC II)	1
CARAGA	Agusan del Norte	304679	Durian NHS	LAS NIEVES	Housekeeping (NC II)	1
CARAGA	Agusan del Norte	304695	Mat-i NHS	LAS NIEVES	Housekeeping (NC II)	1
CARAGA	Agusan del Norte	317315	Agong-ong NHS (Buenavista NHS Annex)	BUENAVISTA	Housekeeping (NC II)	1
CARAGA	Agusan del Norte	304673	Agay National High School	REMEDIOS T. ROMUALDEZ	Shielded Metal Arc Welding (NC I and NC II)	2
CARAGA	Agusan del Norte	304689	Las Nieves NHS	LAS NIEVES	Shielded Metal Arc Welding (NC I and NC II)	1
CARAGA	Agusan del Norte	304686	Jagupit NHS	SANTIAGO	Shielded Metal Arc Welding (NC I)	2
CARAGA	Agusan del Norte	317309	Dona Rosario NHS - Tubay NHS Annex	TUBAY	Shielded Metal Arc Welding (NC I)	1
CARAGA	Agusan del Norte	304696	Nasipit National Vocational School	NASIPIT	Shielded Metal Arc Welding (NC II)	2
CARAGA	Agusan del Norte	304680	Casiklan NHS- Durian NHS Annex	LAS NIEVES	Shielded Metal Arc Welding (NC II)	1
CARAGA	Agusan del Norte	317311	Balangbalang NHS (Agay NHS Annex)	REMEDIOS T. ROMUALDEZ	Tailoring (NC II)	1
CARAGA	Agusan del Sur	304739	Laminga NHS	SAN LUIS	Cookery (NC II)	1
CARAGA	Agusan del Sur	304716	La Paz NHS	LA PAZ	Cookery (NC II)	1
CARAGA	Agusan del Sur	304710	Del Monte NHS	TALACOGON	Cookery (NC II)	1
CARAGA	Agusan del Sur	317412	Pulang Lupa NHS	TRENTO	Dressmaking (NC II)	1
CARAGA	Agusan del Sur	304740	SIBAGAT NATIONAL HIGH SCHOOL OF HORTICULTURE	SIBAGAT	Food and Beverage Services (NC II)	2
CARAGA	Agusan del Sur	304752	Talacogon NHS	TALACOGON	Food and Beverage Services (NC II)	2
CARAGA	Agusan del Sur	304739	Laminga NHS	SAN LUIS	Food and Beverage Services (NC II)	1
CARAGA	Agusan del Sur	304716	La Paz NHS	LA PAZ	Food and Beverage Services (NC II)	1
CARAGA	Agusan del Sur	304710	Del Monte NHS	TALACOGON	Horticulture (NC II)	1
CARAGA	Agusan del Sur	304720	Los Arcos NHS	PROSPERIDAD (Capital)	Horticulture (NC II)	1
CARAGA	Agusan del Sur	304750	Sta. Josefa National High School	SANTA JOSEFA	Horticulture (NC II)	1



DEPARTMENT OF EDUCATION
BUREAU OF LEARNING RESOURCES
FY 2018 TVL Tools and Equipment Allocation List

Lot No. 3 Mass Production

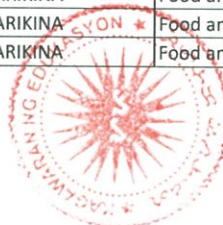
Region	Division	School_id	School_name	Municipality	Program/Specialization (EBEIS)	2018 No. of Packages
CARAGA	Agusan del Sur	317408	Sinobong NHS	VERUELA	Horticulture (NC II)	1
CARAGA	Agusan del Sur	304752	Talacogon NHS	TALACOGON	Housekeeping (NC II)	2
CARAGA	Agusan del Sur	304710	Del Monte NHS	TALACOGON	Housekeeping (NC II)	1
CARAGA	Agusan del Sur	304703	Agusan del Sur National High School	SAN FRANCISCO	Shielded Metal Arc Welding (NC I and NC II)	1
CARAGA	Agusan del Sur	304747	Datu Lipus Makapandong National High School	ROSARIO	Shielded Metal Arc Welding (NC I and NC II)	2
CARAGA	Agusan del Sur	304750	Sta. Josefa National High School	SANTA JOSEFA	Shielded Metal Arc Welding (NC I and NC II)	1
CARAGA	Agusan del Sur	304709	Bunawan National High School	BUNAWAN	Shielded Metal Arc Welding (NC I)	1
CARAGA	Bayugan City	340297	STAND ALONE SHS	CITY OF BAYUGAN	Horticulture (NC II)	1
CARAGA	Bislig City	304866	Maharlika NHS	CITY OF BISLIG	Cookery (NC II)	1
CARAGA	Bislig City	340306	Stand Alone SHS	CITY OF BISLIG	Cookery (NC II)	1
CARAGA	Bislig City	304917	Tabon M. Estrella National High School	CITY OF BISLIG	Cookery (NC II)	1
CARAGA	Bislig City	304866	Maharlika NHS	CITY OF BISLIG	Food and Beverage Services (NC II)	1
CARAGA	Bislig City	340306	Stand Alone SHS	CITY OF BISLIG	Food and Beverage Services (NC II)	1
CARAGA	Bislig City	304917	Tabon M. Estrella National High School	CITY OF BISLIG	Food and Beverage Services (NC II)	1
CARAGA	Bislig City	340306	Stand Alone SHS	CITY OF BISLIG	Organic Agriculture (NC II)	1
CARAGA	Bislig City	340306	Stand Alone SHS	CITY OF BISLIG	Shielded Metal Arc Welding (NC I and NC II)	1
CARAGA	Bislig City	304894	Lawigan NHS	CITY OF BISLIG	Tailoring (NC II)	1
CARAGA	Butuan City	304757	Agusan Pequeno NHS	BUTUAN CITY (Capital)	Cookery (NC II)	1
CARAGA	Butuan City	304769	San Vicente National High School	BUTUAN CITY (Capital)	Cookery (NC II)	1
CARAGA	Butuan City	304759	Banza NHS	BUTUAN CITY (Capital)	Cookery (NC II)	1
CARAGA	Butuan City	304771	Taligaman NHS	BUTUAN CITY (Capital)	Cookery (NC II)	1
CARAGA	Butuan City	304757	Agusan Pequeno NHS	BUTUAN CITY (Capital)	Food and Beverage Services (NC II)	1
CARAGA	Butuan City	304769	San Vicente National High School	BUTUAN CITY (Capital)	Food and Beverage Services (NC II)	1
CARAGA	Butuan City	304771	Taligaman NHS	BUTUAN CITY (Capital)	Food and Beverage Services (NC II)	1
CARAGA	Butuan City	304769	San Vicente National High School	BUTUAN CITY (Capital)	Horticulture (NC II)	1
CARAGA	Butuan City	304763	Libertad Integrated Senior High School	BUTUAN CITY (Capital)	Housekeeping (NC II)	2
CARAGA	Butuan City	304759	Banza NHS	BUTUAN CITY (Capital)	Housekeeping (NC II)	1
CARAGA	Butuan City	304771	Taligaman NHS	BUTUAN CITY (Capital)	Organic Agriculture (NC II)	1
CARAGA	Butuan City	304769	San Vicente National High School	BUTUAN CITY (Capital)	Shielded Metal Arc Welding (NC I and NC II)	2
CARAGA	Dinagat Island	304854	Tubajon NHS	TUBAJON	Food and Beverage Services (NC II)	1
CARAGA	Dinagat Island	304840	R. E. Ecleo Sr. NHS	CAGDIANAO	Organic Agriculture (NC II)	1
CARAGA	Surigao City	304802	Capalayan NHS	SURIGAO CITY (Capital)	Cookery (NC II)	1
CARAGA	Surigao City	304802	Capalayan NHS	SURIGAO CITY (Capital)	Food and Beverage Services (NC II)	1
CARAGA	Surigao City	304802	Capalayan NHS	SURIGAO CITY (Capital)	Housekeeping (NC II)	1
CARAGA	Surigao City	304802	Capalayan NHS	SURIGAO CITY (Capital)	Shielded Metal Arc Welding (NC I)	1
CARAGA	Surigao del Norte	304847	Surigao Del Norte NHS	SURIGAO CITY (Capital)	Cookery (NC II)	2
CARAGA	Surigao del Norte	304837	Placer NHS	PLACER	Cookery (NC II)	2
CARAGA	Surigao del Norte	304820	Claver NHS	CLAVER	Cookery (NC II)	1
CARAGA	Surigao del Norte	304813	Bacuag Nat'L Agro-Indust'L Sch.	BACUAG	Cookery (NC II)	1
CARAGA	Surigao del Norte	340416	Alegria Stand Alone Senior High School	ALEGRIA	Cookery (NC II)	1
CARAGA	Surigao del Norte	304821	Taganito NHS	CLAVER	Cookery (NC II)	1
CARAGA	Surigao del Norte	304845	Amando A. Fabio MNHS	PLACER	Cookery (NC II)	1
CARAGA	Surigao del Norte	304847	Surigao Del Norte NHS	SURIGAO CITY (Capital)	Food and Beverage Services (NC II)	2
CARAGA	Surigao del Norte	304837	Placer NHS	PLACER	Food and Beverage Services (NC II)	2
CARAGA	Surigao del Norte	304820	Claver NHS	CLAVER	Food and Beverage Services (NC II)	1
CARAGA	Surigao del Norte	304813	Bacuag Nat'L Agro-Indust'L Sch.	BACUAG	Food and Beverage Services (NC II)	1
CARAGA	Surigao del Norte	340416	Alegria Stand Alone Senior High School	ALEGRIA	Food and Beverage Services (NC II)	1
CARAGA	Surigao del Norte	304821	Taganito NHS	CLAVER	Food and Beverage Services (NC II)	1
CARAGA	Surigao del Norte	304845	Amando A. Fabio MNHS	PLACER	Food and Beverage Services (NC II)	1
CARAGA	Surigao del Norte	304845	Amando A. Fabio MNHS	PLACER	Horticulture (NC II)	1
CARAGA	Surigao del Norte	304826	Gigaquit Nat'l. Sch. of Home Industries	GIGAQUIT	Horticulture (NC II)	1
CARAGA	Surigao del Norte	304855	Tubod NHS	TUBOD	Organic Agriculture (NC II)	1



DEPARTMENT OF EDUCATION
BUREAU OF LEARNING RESOURCES
FY 2018 TVL Tools and Equipment Allocation List

Lot No. 3 Mass Production

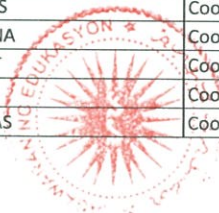
Region	Division	School_id	School_name	Municipality	Program/Specialization (EBEIS)	2018 No. of Packages
CARAGA	Surigao del Norte	304843	San Francisco NHS	SAN FRANCISCO (ANAO-AON	Shielded Metal Arc Welding (NC I and NC II)	1
CARAGA	Surigao del Norte	304812	Tagana-an NHS (ASA NHS)	TAGANA-AN	Shielded Metal Arc Welding (NC I and NC II)	1
CARAGA	Surigao del Norte	304834	Matinao National High School	MAINIT	Shielded Metal Arc Welding (NC I and NC II)	1
CARAGA	Surigao del Sur	317921	Wakat National High School	BAROBO	Aquaculture (NC II)	1
CARAGA	Surigao del Sur	304897	Madrid National High School	MADRID	Cookery (NC II)	2
CARAGA	Surigao del Sur	304890	Hinatuan National Comprehensive High School	HINATUAN	Cookery (NC II)	2
CARAGA	Surigao del Sur	304887	Tigao National High School	CORTES	Cookery (NC II)	2
CARAGA	Surigao del Sur	304895	Lingig National High School	LINGIG	Cookery (NC II)	1
CARAGA	Surigao del Sur	304861	Barobo National High School	BAROBO	Cookery (NC II)	1
CARAGA	Surigao del Sur	304889	Gamut National High School (Tago)	TAGO	Cookery (NC II)	1
CARAGA	Surigao del Sur	304891	Dugmanon National High School	HINATUAN	Cookery (NC II)	1
CARAGA	Surigao del Sur	304857	Adlay National High School	CARRASCAL	Cookery (NC II)	1
CARAGA	Surigao del Sur	304873	Cantilan National High School	CANTILAN	Cookery (NC II)	1
CARAGA	Surigao del Sur	304905	San Miguel National Comprehensive High School	SAN MIGUEL	Cookery (NC II)	1
CARAGA	Surigao del Sur	304924	Unidad National High School	CAGWAIT	Cookery (NC II)	1
CARAGA	Surigao del Sur	304925	Jose Sanvictores Sr. National School Annex	CAGWAIT	Dressmaking (NC II)	1
CARAGA	Surigao del Sur	304897	Madrid National High School	MADRID	Food and Beverage Services (NC II)	2
CARAGA	Surigao del Sur	304890	Hinatuan National Comprehensive High School	HINATUAN	Food and Beverage Services (NC II)	2
CARAGA	Surigao del Sur	304887	Tigao National High School	CORTES	Food and Beverage Services (NC II)	2
CARAGA	Surigao del Sur	304895	Lingig National High School	LINGIG	Food and Beverage Services (NC II)	1
CARAGA	Surigao del Sur	304861	Barobo National High School	BAROBO	Food and Beverage Services (NC II)	1
CARAGA	Surigao del Sur	304889	Gamut National High School (Tago)	TAGO	Food and Beverage Services (NC II)	1
CARAGA	Surigao del Sur	304891	Dugmanon National High School	HINATUAN	Food and Beverage Services (NC II)	1
CARAGA	Surigao del Sur	304857	Adlay National High School	CARRASCAL	Food and Beverage Services (NC II)	1
CARAGA	Surigao del Sur	304873	Cantilan National High School	CANTILAN	Food and Beverage Services (NC II)	1
CARAGA	Surigao del Sur	304905	San Miguel National Comprehensive High School	SAN MIGUEL	Food and Beverage Services (NC II)	1
CARAGA	Surigao del Sur	304924	Unidad National High School	CAGWAIT	Food and Beverage Services (NC II)	1
CARAGA	Surigao del Sur	304925	Jose Sanvictores Sr. National School Annex	CAGWAIT	Tailoring (NC II)	1
CARAGA	Tandag City	304871	Buenavista National High School	CITY OF TANDAG (Capital)	Cookery (NC II)	2
CARAGA	Tandag City	304871	Buenavista National High School	CITY OF TANDAG (Capital)	Food and Beverage Services (NC II)	2
NCR	City of San Juan	305423	San Juan National High School	CITY OF SAN JUAN	Food and Beverage Services (NC II)	1
NCR	Las Piñas City	340551	Las Piñas City Senior High School - Dona	CITY OF LAS PIÑAS	Cookery (NC II)	2
NCR	Las Piñas City	340550	Las Piñas Senior High School - CAA Camp	CITY OF LAS PIÑAS	Cookery (NC II)	4
NCR	Las Piñas City	340548	Las Piñas City National Senior High School	CITY OF LAS PIÑAS	Cookery (NC II)	2
NCR	Las Piñas City	340551	Las Piñas City Senior High School - Dona	CITY OF LAS PIÑAS	Food and Beverage Services (NC II)	4
NCR	Las Piñas City	340550	Las Piñas Senior High School - CAA Camp	CITY OF LAS PIÑAS	Food and Beverage Services (NC II)	4
NCR	Las Piñas City	340548	Las Piñas City National Senior High School	CITY OF LAS PIÑAS	Food and Beverage Services (NC II)	2
NCR	Makati City	305412	Benigno "Ninoy" S. Aquino HS	CITY OF MAKATI	Cookery (NC II)	1
NCR	Makati City	305412	Benigno "Ninoy" S. Aquino HS	CITY OF MAKATI	Food and Beverage Services (NC II)	1
NCR	Malabon City	302149	Santiago Syjuco Memorial Senior High School	CITY OF MALABON	Shielded Metal Arc Welding (NC II)	1
NCR	Mandaluyong City	305394	Mataas na Paaralang Neptali A. Gonzales	CITY OF MANDALUYONG	Food and Beverage Services (NC II)	2
NCR	Mandaluyong City	305393	Mandaluyong High School	CITY OF MANDALUYONG	Food and Beverage Services (NC II)	2
NCR	Mandaluyong City	500051	Andres Bonifacio Integrated School	CITY OF MANDALUYONG	Food and Beverage Services (NC II)	2
NCR	Mandaluyong City	500333	Eulogio Rodriguez Integrated School	CITY OF MANDALUYONG	Food and Beverage Services (NC II)	2
NCR	Mandaluyong City	500332	Highway Hills Integrated School	CITY OF MANDALUYONG	Food and Beverage Services (NC II)	2
NCR	Mandaluyong City	500051	Andres Bonifacio Integrated School	CITY OF MANDALUYONG	Housekeeping (NC II)	2
NCR	Mandaluyong City	500333	Eulogio Rodriguez Integrated School	CITY OF MANDALUYONG	Housekeeping (NC II)	2
NCR	Mandaluyong City	500335	Ilaya Barangka Integrated School	CITY OF MANDALUYONG	Housekeeping (NC II)	1
NCR	Mandaluyong City	500334	Jose Fabella Memorial School	CITY OF MANDALUYONG	Shielded Metal Arc Welding (NC I and NC II)	1
NCR	Marikina City	305398	Marikina HS	CITY OF MARIKINA	Food and Beverage Services (NC II)	2
NCR	Marikina City	319906	Sto. Nino National High School	CITY OF MARIKINA	Food and Beverage Services (NC II)	2
NCR	Marikina City	305404	Parang HS	CITY OF MARIKINA	Food and Beverage Services (NC II)	2



DEPARTMENT OF EDUCATION
BUREAU OF LEARNING RESOURCES
FY 2018 TVL Tools and Equipment Allocation List

Lot No. 3 Mass Production

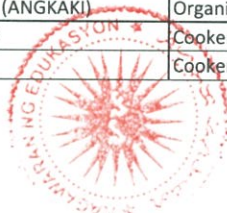
Region	Division	School_id	School_name	Municipality	Program/Specialization (EBEIS)	2018 No. of Packages
NCR	Marikina City	319901	Nangka HS	CITY OF MARIKINA	Food and Beverage Services (NC II)	2
NCR	Marikina City	305402	Malanday NHS	CITY OF MARIKINA	Food and Beverage Services (NC II)	2
NCR	Marikina City	305399	Tañong HS	CITY OF MARIKINA	Food and Beverage Services (NC II)	2
NCR	Marikina City	319902	Fortune High School	CITY OF MARIKINA	Food and Beverage Services (NC II)	1
NCR	Marikina City	305404	Parang HS	CITY OF MARIKINA	Shielded Metal Arc Welding (NC I and NC II)	1
NCR	Marikina City	305398	Marikina HS	CITY OF MARIKINA	Tailoring (NC II)	1
NCR	Muntinlupa City	305468	Muntinlupa NHS	CITY OF MUNTINLUPA	Cookery (NC II)	2
NCR	Muntinlupa City	320704	Muntinlupa NHS -Tunasan Annex	CITY OF MUNTINLUPA	Cookery (NC II)	1
NCR	Muntinlupa City	305468	Muntinlupa NHS	CITY OF MUNTINLUPA	Food and Beverage Services (NC II)	2
NCR	Muntinlupa City	320704	Muntinlupa NHS -Tunasan Annex	CITY OF MUNTINLUPA	Food and Beverage Services (NC II)	1
NCR	Paranaque City	320203	Moonwalk National High School	CITY OF PARANAQUE	Cookery (NC II)	1
NCR	Paranaque City	320203	Moonwalk National High School	CITY OF PARANAQUE	Food and Beverage Services (NC II)	1
NCR	Paranaque City	320203	Moonwalk National High School	CITY OF PARANAQUE	Housekeeping (NC II)	1
NCR	Pasay City	305367	Pasay City East HS	PASAY CITY	Food and Beverage Services (NC II)	2
NCR	Pasay City	305368	Pasay City West HS	PASAY CITY	Food and Beverage Services (NC II)	2
NCR	Pasay City	319601	Kalayaan NHS	PASAY CITY	Food and Beverage Services (NC II)	2
NCR	Pasay City	305364	Pasay City North HS - Tramo Campus	PASAY CITY	Food and Beverage Services (NC II)	1
NCR	Pasay City	500329	Philippine School for the Deaf	PASAY CITY	Food and Beverage Services (NC II)	1
NCR	Pasay City	305367	Pasay City East HS	PASAY CITY	Shielded Metal Arc Welding (NC I and NC II)	2
NCR	Taguig	320606	Pres. Diosdado Macapagal HS - Signal Village	TAGUIG CITY	Cookery (NC II)	2
NCR	Taguig	305459	Bagumbayan National High School	TAGUIG CITY	Cookery (NC II)	1
NCR	Taguig	305466	Pateros National High School	PATEROS	Cookery (NC II)	1
NCR	Taguig	305463	Signal Village National High School	TAGUIG CITY	Cookery (NC II)	1
NCR	Taguig	305462	Gen. Ricardo G. Papa, Sr. Memorial HS A	TAGUIG CITY	Cookery (NC II)	1
NCR	Taguig	320606	Pres. Diosdado Macapagal HS - Signal Village	TAGUIG CITY	Food and Beverage Services (NC II)	2
NCR	Taguig	305460	Taguig National High School	TAGUIG CITY	Food and Beverage Services (NC II)	2
NCR	Taguig	305459	Bagumbayan National High School	TAGUIG CITY	Food and Beverage Services (NC II)	1
NCR	Taguig	305466	Pateros National High School	PATEROS	Food and Beverage Services (NC II)	1
NCR	Taguig	305463	Signal Village National High School	TAGUIG CITY	Food and Beverage Services (NC II)	1
NCR	Taguig	305462	Gen. Ricardo G. Papa, Sr. Memorial HS A	TAGUIG CITY	Food and Beverage Services (NC II)	1
NCR	Taguig	305460	Taguig National High School	TAGUIG CITY	Shielded Metal Arc Welding (NC I and NC II)	1
NCR	Valenzuela City	305437	Dalandanan National High School	CITY OF VALENZUELA	Cookery (NC II)	2
NCR	Valenzuela City	305437	Dalandanan National High School	CITY OF VALENZUELA	Food and Beverage Services (NC II)	2
Region I	Alaminos City	300155	Alaminos City NHS	CITY OF ALAMINOS	Cookery (NC II)	1
Region I	Batac City	300005	Batac National High School	CITY OF BATAC	Cookery (NC II)	2
Region I	Batac City	300005	Batac National High School	CITY OF BATAC	Food and Beverage Services (NC II)	2
Region I	Dagupan City	300368	Dagupan City NHS	DAGUPAN CITY	Cookery (NC II)	1
Region I	Dagupan City	300368	Dagupan City NHS	DAGUPAN CITY	Shielded Metal Arc Welding (NC I and NC II)	1
Region I	Ilocos Norte	300015	Dingras NHS/Lt. Edgar Foz Mem. NHS	DINGRAS	Agricultural Crops Production (NC I)	1
Region I	Ilocos Norte	300018	Ilocos Norte Agricultural College	PASUQUIN	Agricultural Crops Production (NC I)	1
Region I	Ilocos Norte	320818	Talugtug Solsona National High School	SOLSONA	Agricultural Crops Production (NC I)	1
Region I	Ilocos Norte	300024	PAGUDPUD NHS	PAGUDPUD	Aquaculture (NC II)	1
Region I	Ilocos Norte	300002	Bacarra NCHS	BACARRA	Cookery (NC II)	2
Region I	Ilocos Norte	300029	Sarrat National High School	SARRAT	Cookery (NC II)	2
Region I	Ilocos Norte	300028	San Nicolas NHS	SAN NICOLAS	Cookery (NC II)	2
Region I	Ilocos Norte	500591	FLORENTINO CAMAQUIN INTEGRATED SCHOOL	VINTAR	Cookery (NC II)	2
Region I	Ilocos Norte	300018	Ilocos Norte Agricultural College	PASUQUIN	Cookery (NC II)	2
Region I	Ilocos Norte	300006	Burgos Agro-Industrial School	BURGOS	Cookery (NC II)	1
Region I	Ilocos Norte	300030	Solsona National High School	SOLSONA	Cookery (NC II)	1
Region I	Ilocos Norte	320816	STA. ROSA NATIONAL HIGH SCHOOL	SARRAT	Cookery (NC II)	1
Region I	Ilocos Norte	300027	Pinili NHS	PINILI	Cookery (NC II)	1
Region I	Ilocos Norte	320806	Dingras NHS/Lt. Edgar Foz Mem. NHS (B)	DINGRAS	Cookery (NC II)	1



DEPARTMENT OF EDUCATION
BUREAU OF LEARNING RESOURCES
FY 2018 TVL Tools and Equipment Allocation List

Lot No. 3 Mass Production

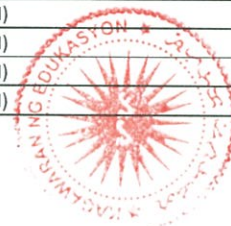
Region	Division	School_id	School_name	Municipality	Program/Specialization (EBEIS)	2018 No. of Packages
Region I	Ilocos Norte	300021	Nagrebcan NHS	BADOC	Cookery (NC II)	1
Region I	Ilocos Norte	300019	Luzong NHS	PAGUDPUD	Cookery (NC II)	1
Region I	Ilocos Norte	300024	PAGUDPUD NHS	PAGUDPUD	Cookery (NC II)	1
Region I	Ilocos Norte	300025	Paoay Lake NHS	PAOAY	Cookery (NC II)	1
Region I	Ilocos Norte	300002	Bacarra NCHS	BACARRA	Food and Beverage Services (NC II)	2
Region I	Ilocos Norte	300029	Sarrat National High School	SARRAT	Food and Beverage Services (NC II)	2
Region I	Ilocos Norte	300028	San Nicolas NHS	SAN NICOLAS	Food and Beverage Services (NC II)	2
Region I	Ilocos Norte	500591	FLORENTINO CAMAQUIN INTEGRATED S	VINTAR	Food and Beverage Services (NC II)	2
Region I	Ilocos Norte	300018	Ilocos Norte Agricultural College	PASUQUIN	Food and Beverage Services (NC II)	2
Region I	Ilocos Norte	300006	Burgos Agro-Industrial School	BURGOS	Food and Beverage Services (NC II)	1
Region I	Ilocos Norte	300030	Solsona National High School	SOLSONA	Food and Beverage Services (NC II)	1
Region I	Ilocos Norte	320816	STA. ROSA NATIONAL HIGH SCHOOL	SARRAT	Food and Beverage Services (NC II)	1
Region I	Ilocos Norte	300027	Pinili NHS	PINILI	Food and Beverage Services (NC II)	1
Region I	Ilocos Norte	320806	Dingras NHS/Lt. Edgar Foz Mem. NHS (Ba	DINGRAS	Food and Beverage Services (NC II)	1
Region I	Ilocos Norte	300021	Nagrebcan NHS	BADOC	Food and Beverage Services (NC II)	1
Region I	Ilocos Norte	300019	Luzong NHS	PAGUDPUD	Food and Beverage Services (NC II)	1
Region I	Ilocos Norte	300024	PAGUDPUD NHS	PAGUDPUD	Food and Beverage Services (NC II)	1
Region I	Ilocos Norte	300025	Paoay Lake NHS	PAOAY	Food and Beverage Services (NC II)	1
Region I	Ilocos Norte	300016	Piddig National High School	PIDDIG	Horticulture (NC II)	1
Region I	Ilocos Norte	300011	Catagtaguen National High School	BANNA (ESPIRITU)	Horticulture (NC II)	1
Region I	Ilocos Norte	300017	Dumalneg NHS	DUMALNEG	Horticulture (NC II)	1
Region I	Ilocos Norte	320810	SUYO NATIONAL HIGH SCHOOL	DINGRAS	Horticulture (NC II)	1
Region I	Ilocos Norte	320815	Bingao National High School	SAN NICOLAS	Horticulture (NC II)	1
Region I	Ilocos Norte	300009	Carasi NHS	CARASI	Horticulture (NC II)	1
Region I	Ilocos Norte	300018	Ilocos Norte Agricultural College	PASUQUIN	Organic Agriculture (NC II)	1
Region I	Ilocos Norte	300002	Bacarra NCHS	BACARRA	Shielded Metal Arc Welding (NC I and NC II)	1
Region I	Ilocos Sur	300070	Quirino NHS	QUIRINO (ANGKAKI)	Agricultural Crops Production (NC I)	1
Region I	Ilocos Sur	300086	Tagudin NHS	TAGUDIN	Cookery (NC II)	1
Region I	Ilocos Sur	300056	Lussoc National High School	SANTO DOMINGO	Cookery (NC II)	1
Region I	Ilocos Sur	300080	Sinait NHS	SINAIT	Cookery (NC II)	2
Region I	Ilocos Sur	300049	Dili NHS	SANTA CRUZ	Cookery (NC II)	2
Region I	Ilocos Sur	300033	Alilem NHS (Alilem Daya HS)	ALILEM	Cookery (NC II)	2
Region I	Ilocos Sur	300035	SAN JUAN NHS	SAN JUAN (LAPOG)	Cookery (NC II)	2
Region I	Ilocos Sur	300041	Burgos National High School	BURGOS	Cookery (NC II)	1
Region I	Ilocos Sur	300043	Cabugao NHS	CABUGAO	Cookery (NC II)	1
Region I	Ilocos Sur	300069	Puro NHS, Magsingal	MAGSINGAL	Cookery (NC II)	1
Region I	Ilocos Sur	300046	Cervantes NHS	CERVANTES	Cookery (NC II)	1
Region I	Ilocos Sur	300086	Tagudin NHS	TAGUDIN	Food and Beverage Services (NC II)	1
Region I	Ilocos Sur	300056	Lussoc National High School	SANTO DOMINGO	Food and Beverage Services (NC II)	1
Region I	Ilocos Sur	300080	Sinait NHS	SINAIT	Food and Beverage Services (NC II)	2
Region I	Ilocos Sur	300049	Dili NHS	SANTA CRUZ	Food and Beverage Services (NC II)	2
Region I	Ilocos Sur	300063	Narvacan Nat'l. Central HS	NARVACAN	Food and Beverage Services (NC II)	1
Region I	Ilocos Sur	300033	Alilem NHS (Alilem Daya HS)	ALILEM	Food and Beverage Services (NC II)	2
Region I	Ilocos Sur	300035	SAN JUAN NHS	SAN JUAN (LAPOG)	Food and Beverage Services (NC II)	2
Region I	Ilocos Sur	300041	Burgos National High School	BURGOS	Food and Beverage Services (NC II)	1
Region I	Ilocos Sur	300043	Cabugao NHS	CABUGAO	Food and Beverage Services (NC II)	1
Region I	Ilocos Sur	300069	Puro NHS, Magsingal	MAGSINGAL	Food and Beverage Services (NC II)	1
Region I	Ilocos Sur	300046	Cervantes NHS	CERVANTES	Food and Beverage Services (NC II)	1
Region I	Ilocos Sur	300050	Dinaratan National High School	SALCEDO (BAUGEN)	Organic Agriculture (NC II)	1
Region I	Ilocos Sur	300070	Quirino NHS	QUIRINO (ANGKAKI)	Organic Agriculture (NC II)	1
Region I	La Union	500002	Rosario Integrated School	ROSARIO	Cookery (NC II)	3
Region I	La Union	300114	DOÑA FRANCISCA LACSAMANA DE ORTE	BANGAR	Cookery (NC II)	2



DEPARTMENT OF EDUCATION
BUREAU OF LEARNING RESOURCES
FY 2018 TVL Tools and Equipment Allocation List

Lot No. 3 Mass Production

Region	Division	School_id	School_name	Municipality	Program/Specialization (EBEIS)	2018 No. of Packages
Region I	La Union	300106	Castor Concepcion MNHS	BALAOAN	Cookery (NC II)	2
Region I	La Union	300095	Bacnotan NHS	BACNOTAN	Cookery (NC II)	2
Region I	La Union	340823	Naguilian Senior High School	NAGUILIAN	Cookery (NC II)	2
Region I	La Union	300120	Luna NHS	LUNA	Cookery (NC II)	2
Region I	La Union	300129	Pres. Elpidio. Quirino NHS	AGOO	Cookery (NC II)	1
Region I	La Union	300112	Don Eulogio De Guzman MNHS	BAUANG	Cookery (NC II)	1
Region I	La Union	300152	Tubao National High School	TUBAO	Cookery (NC II)	1
Region I	La Union	300135	San Gabriel Vocational High School	SAN GABRIEL	Cookery (NC II)	1
Region I	La Union	300109	Damortis NHS	SANTO TOMAS	Cookery (NC II)	1
Region I	La Union	300094	Bacuit NHS	BAUANG	Cookery (NC II)	1
Region I	La Union	340822	Aringay Stand-Alone Senior High School	ARINGAY	Cookery (NC II)	1
Region I	La Union	300140	Santol Voc'l. HS	SANTOL	Cookery (NC II)	1
Region I	La Union	300104	Caba NHS	CABA	Cookery (NC II)	1
Region I	La Union	500002	Rosario Integrated School	ROSARIO	Food and Beverage Services (NC II)	3
Region I	La Union	300114	DOÑA FRANCISCA LACSAMANA DE ORTE	BANGAR	Food and Beverage Services (NC II)	2
Region I	La Union	300106	Castor Concepcion MNHS	BALAOAN	Food and Beverage Services (NC II)	2
Region I	La Union	300095	Bacnotan NHS	BACNOTAN	Food and Beverage Services (NC II)	2
Region I	La Union	340823	Naguilian Senior High School	NAGUILIAN	Food and Beverage Services (NC II)	2
Region I	La Union	300120	Luna NHS	LUNA	Food and Beverage Services (NC II)	2
Region I	La Union	300129	Pres. Elpidio. Quirino NHS	AGOO	Food and Beverage Services (NC II)	1
Region I	La Union	300112	Don Eulogio De Guzman MNHS	BAUANG	Food and Beverage Services (NC II)	1
Region I	La Union	300152	Tubao National High School	TUBAO	Food and Beverage Services (NC II)	1
Region I	La Union	300135	San Gabriel Vocational High School	SAN GABRIEL	Food and Beverage Services (NC II)	1
Region I	La Union	300109	Damortis NHS	SANTO TOMAS	Food and Beverage Services (NC II)	1
Region I	La Union	300094	Bacuit NHS	BAUANG	Food and Beverage Services (NC II)	1
Region I	La Union	340822	Aringay Stand-Alone Senior High School	ARINGAY	Food and Beverage Services (NC II)	1
Region I	La Union	300140	Santol Voc'l. HS	SANTOL	Food and Beverage Services (NC II)	1
Region I	La Union	300104	Caba NHS	CABA	Food and Beverage Services (NC II)	1
Region I	La Union	300095	Bacnotan NHS	BACNOTAN	Horticulture (NC II)	1
Region I	La Union	300111	Paraoir NHS	BALAOAN	Housekeeping (NC II)	1
Region I	La Union	300151	Tanglag National High School	ROSARIO	Housekeeping (NC II)	1
Region I	La Union	300153	Wenceslao National HS	CABA	Housekeeping (NC II)	1
Region I	La Union	300094	Bacuit NHS	BAUANG	Housekeeping (NC II)	1
Region I	La Union	300128	Paringao National High School	BAUANG	Housekeeping (NC II)	1
Region I	La Union	300106	Castor Concepcion MNHS	BALAOAN	Organic Agriculture (NC II)	1
Region I	La Union	340823	Naguilian Senior High School	NAGUILIAN	Travel Services (NC II)	1
Region I	Laoag City	300375	Ilocos Norte Regional School of Fisheries	LAOAG CITY (Capital)	Aquaculture (NC II)	1
Region I	Laoag City	300373	Ilocos Norte College of Arts & Trades	LAOAG CITY (Capital)	Cookery (NC II)	1
Region I	Pangasinan I, Ling	300168	Bayambang NHS (Bayambang)	BAYAMBANG	Cookery (NC II)	2
Region I	Pangasinan I, Ling	300233	Pangasinan National High School	LINGAYEN (Capital)	Cookery (NC II)	1
Region I	Pangasinan I, Ling	300193	Daniel Maramba NHS	SANTA BARBARA	Cookery (NC II)	1
Region I	Pangasinan I, Ling	300192	Dacap Norte National High School	BANI	Cookery (NC II)	2
Region I	Pangasinan I, Ling	300167	Basista NHS	BASISTA	Cookery (NC II)	2
Region I	Pangasinan I, Ling	300261	Tiep NHS	BANI	Cookery (NC II)	2
Region I	Pangasinan I, Ling	300241	POLONG NATIONAL HIGH SCHOOL	BUGALLON	Cookery (NC II)	2
Region I	Pangasinan I, Ling	500610	Bugallon IS	BUGALLON	Cookery (NC II)	1
Region I	Pangasinan I, Ling	300234	Pangasinan School of Arts and Trades	LINGAYEN (Capital)	Cookery (NC II)	1
Region I	Pangasinan I, Ling	500605	Aguiar Integrated School	AGUILAR	Cookery (NC II)	1
Region I	Pangasinan I, Ling	300250	San Jose NHS (Anda)	ANDA	Cookery (NC II)	1
Region I	Pangasinan I, Ling	300248	Salomague NHS	BUGALLON	Cookery (NC II)	1
Region I	Pangasinan I, Ling	300237	Payas NHS	SANTA BARBARA	Cookery (NC II)	1
Region I	Pangasinan I, Ling	500613	Gayusan Integrated School	AGNO	Cookery (NC II)	1



DEPARTMENT OF EDUCATION
BUREAU OF LEARNING RESOURCES
FY 2018 TVL Tools and Equipment Allocation List

Lot No. 3 Mass Production

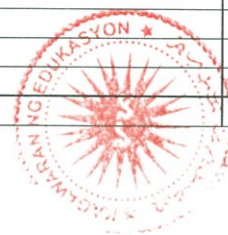
Region	Division	School_id	School_name	Municipality	Program/Specialization (EBEIS)	2018 No. of Packages
Region I	Pangasinan I, Ling	300187	Carot National High School	ANDA	Cookery (NC II)	1
Region I	Pangasinan I, Ling	300199	Dulag National High School	BINMALEY	Cookery (NC II)	1
Region I	Pangasinan I, Ling	300205	Garrita NHS	BANI	Cookery (NC II)	1
Region I	Pangasinan I, Ling	500612	Dalanguiring IS	URBIZTONDO	Cookery (NC II)	1
Region I	Pangasinan I, Ling	300201	Eguia National High School	DASOL	Cookery (NC II)	1
Region I	Pangasinan I, Ling	300267	Irene Rayos Ombac NHS	BUGALLON	Cookery (NC II)	1
Region I	Pangasinan I, Ling	500614	Infanta Integrated School	INFANTA	Cookery (NC II)	1
Region I	Pangasinan I, Ling	300252	San Miguel NHS, Bani	BANI	Cookery (NC II)	1
Region I	Pangasinan I, Ling	500604	Abagatanen Integrated School	AGNO	Cookery (NC II)	1
Region I	Pangasinan I, Ling	300154	Agno NHS	AGNO	Cookery (NC II)	1
Region I	Pangasinan I, Ling	300264	Tondol NHS	ANDA	Cookery (NC II)	1
Region I	Pangasinan I, Ling	300179	Burgos NHS	BURGOS	Cookery (NC II)	1
Region I	Pangasinan I, Ling	300175	Bolinao SOF	BOLINAO	Cookery (NC II)	1
Region I	Pangasinan I, Ling	300192	Dacap Norte National High School	BANI	Food and Beverage Services (NC II)	2
Region I	Pangasinan I, Ling	300167	Basista NHS	BASISTA	Food and Beverage Services (NC II)	2
Region I	Pangasinan I, Ling	300261	Tiep NHS	BANI	Food and Beverage Services (NC II)	2
Region I	Pangasinan I, Ling	300241	POLONG NATIONAL HIGH SCHOOL	BUGALLON	Food and Beverage Services (NC II)	2
Region I	Pangasinan I, Ling	500610	Bugallon IS	BUGALLON	Food and Beverage Services (NC II)	1
Region I	Pangasinan I, Ling	500605	Aguilar Integrated School	AGUILAR	Food and Beverage Services (NC II)	1
Region I	Pangasinan I, Ling	300250	San Jose NHS (Anda)	ANDA	Food and Beverage Services (NC II)	1
Region I	Pangasinan I, Ling	300248	Salomague NHS	BUGALLON	Food and Beverage Services (NC II)	1
Region I	Pangasinan I, Ling	500613	Gayusan Integrated School	AGNO	Food and Beverage Services (NC II)	1
Region I	Pangasinan I, Ling	300187	Carot National High School	ANDA	Food and Beverage Services (NC II)	1
Region I	Pangasinan I, Ling	300205	Garrita NHS	BANI	Food and Beverage Services (NC II)	1
Region I	Pangasinan I, Ling	500612	Dalanguiring IS	URBIZTONDO	Food and Beverage Services (NC II)	1
Region I	Pangasinan I, Ling	300201	Eguia National High School	DASOL	Food and Beverage Services (NC II)	1
Region I	Pangasinan I, Ling	300267	Irene Rayos Ombac NHS	BUGALLON	Food and Beverage Services (NC II)	1
Region I	Pangasinan I, Ling	500614	Infanta Integrated School	INFANTA	Food and Beverage Services (NC II)	1
Region I	Pangasinan I, Ling	300252	San Miguel NHS, Bani	BANI	Food and Beverage Services (NC II)	1
Region I	Pangasinan I, Ling	500604	Abagatanen Integrated School	AGNO	Food and Beverage Services (NC II)	1
Region I	Pangasinan I, Ling	300154	Agno NHS	AGNO	Food and Beverage Services (NC II)	1
Region I	Pangasinan I, Ling	300264	Tondol NHS	ANDA	Food and Beverage Services (NC II)	1
Region I	Pangasinan I, Ling	300268	Zaragosa NHS	BOLINAO	Housekeeping (NC II)	2
Region I	Pangasinan I, Ling	500370	Bolinao Integrated School	BOLINAO	Housekeeping (NC II)	2
Region I	Pangasinan I, Ling	300256	Tagudin NHS	MABINI	Housekeeping (NC II)	1
Region I	Pangasinan I, Ling	300169	Bayambang NHS (Infanta)	INFANTA	Housekeeping (NC II)	1
Region I	Pangasinan I, Ling	500605	Aguilar Integrated School	AGUILAR	Shielded Metal Arc Welding (NC I and NC II)	2
Region I	Pangasinan I, Ling	300234	Pangasinan School of Arts and Trades	LINGAYEN (Capital)	Shielded Metal Arc Welding (NC I and NC II)	1
Region I	Pangasinan I, Ling	300267	Irene Rayos Ombac NHS	BUGALLON	Shielded Metal Arc Welding (NC I and NC II)	2
Region I	Pangasinan I, Ling	300259	Tanolong National High School	BAYAMBANG	Shielded Metal Arc Welding (NC I and NC II)	1
Region I	Pangasinan I, Ling	300199	Dulag National High School	BINMALEY	Shielded Metal Arc Welding (NC I and NC II)	1
Region I	Pangasinan I, Ling	300202	Enrico T. Prado NHS	AGUILAR	Shielded Metal Arc Welding (NC I and NC II)	1
Region I	Pangasinan I, Ling	300237	Payas NHS	SANTA BARBARA	Shielded Metal Arc Welding (NC I and NC II)	1
Region I	Pangasinan I, Ling	300179	Burgos NHS	BURGOS	Shielded Metal Arc Welding (NC I and NC II)	1
Region I	Pangasinan I, Ling	300188	Moises B. Rebamontan NHS	BAYAMBANG	Shielded Metal Arc Welding (NC II)	1
Region I	Pangasinan I, Ling	500370	Bolinao Integrated School	BOLINAO	Travel Services (NC II)	2
Region I	Pangasinan II, Bin	300345	San Fabian National High School	SAN FABIAN	Aquaculture (NC II)	1
Region I	Pangasinan II, Bin	300326	Mangaldan National High School	MANGALDAN	Cookery (NC II)	1
Region I	Pangasinan II, Bin	300341	Rosales NHS	ROSALES	Cookery (NC II)	2
Region I	Pangasinan II, Bin	300365	Umingan Central National High School	UMINGAN	Cookery (NC II)	1
Region I	Pangasinan II, Bin	300348	San Jacinto National High School	SAN JACINTO	Cookery (NC II)	1
Region I	Pangasinan II, Bin	300363	Tayug NHS	TAYUG	Cookery (NC II)	1



DEPARTMENT OF EDUCATION
BUREAU OF LEARNING RESOURCES
FY 2018 TVL Tools and Equipment Allocation List

Lot No. 3 Mass Production

Region	Division	School_id	School_name	Municipality	Program/Specialization (EBEIS)	2018 No. of Packages
Region I	Pangasinan II, Bin	300287	Benigno V. Aldana NHS	POZORRUBIO	Cookery (NC II)	2
Region I	Pangasinan II, Bin	300301	Cipriano P. Primicias NHS	ALCALA	Cookery (NC II)	2
Region I	Pangasinan II, Bin	300322	Luciano Millan National HS	ASINGAN	Cookery (NC II)	1
Region I	Pangasinan II, Bin	300281	Balungao NHS	BALUNGAO	Cookery (NC II)	2
Region I	Pangasinan II, Bin	500375	Sison Central IS	SISON	Cookery (NC II)	1
Region I	Pangasinan II, Bin	300286	Bautista National High School	BAUTISTA	Cookery (NC II)	1
Region I	Pangasinan II, Bin	300292	Bulaoen East NHS	SISON	Cookery (NC II)	1
Region I	Pangasinan II, Bin	300323	Mabilao NHS	SAN FABIAN	Cookery (NC II)	1
Region I	Pangasinan II, Bin	300307	Juan G. Macaraeg NHS	BINALONAN	Cookery (NC II)	1
Region I	Pangasinan II, Bin	300274	ANONANG NATIONAL HIGH SCHOOL	SAN FABIAN	Cookery (NC II)	1
Region I	Pangasinan II, Bin	300341	Rosales NHS	ROSALES	Food and Beverage Services (NC II)	2
Region I	Pangasinan II, Bin	300287	Benigno V. Aldana NHS	POZORRUBIO	Food and Beverage Services (NC II)	2
Region I	Pangasinan II, Bin	300301	Cipriano P. Primicias NHS	ALCALA	Food and Beverage Services (NC II)	2
Region I	Pangasinan II, Bin	300281	Balungao NHS	BALUNGAO	Food and Beverage Services (NC II)	2
Region I	Pangasinan II, Bin	500375	Sison Central IS	SISON	Food and Beverage Services (NC II)	1
Region I	Pangasinan II, Bin	300286	Bautista National High School	BAUTISTA	Food and Beverage Services (NC II)	1
Region I	Pangasinan II, Bin	300307	Juan G. Macaraeg NHS	BINALONAN	Food and Beverage Services (NC II)	1
Region I	Pangasinan II, Bin	300316	La Paz NHS	UMINGAN	Food and Beverage Services (NC II)	1
Region I	Pangasinan II, Bin	300274	ANONANG NATIONAL HIGH SCHOOL	SAN FABIAN	Food and Beverage Services (NC II)	1
Region I	Pangasinan II, Bin	300292	Bulaoen East NHS	SISON	Housekeeping (NC II)	1
Region I	Pangasinan II, Bin	300341	Rosales NHS	ROSALES	Shielded Metal Arc Welding (NC I and NC II)	2
Region I	Pangasinan II, Bin	300307	Juan G. Macaraeg NHS	BINALONAN	Shielded Metal Arc Welding (NC I and NC II)	1
Region I	Pangasinan II, Bin	300341	Rosales NHS	ROSALES	Tailoring (NC II)	1
Region I	San Carlos City	300388	Speaker Eugenio Perez Nat;l. Agr'l. Sch.	SAN CARLOS CITY	Cookery (NC II)	1
Region I	San Carlos City	300388	Speaker Eugenio Perez Nat;l. Agr'l. Sch.	SAN CARLOS CITY	Gas Metal Arc Welding- GMAW (NC II)	1
Region I	San Carlos City	300390	Tandoc NHS	SAN CARLOS CITY	Housekeeping (NC II)	1
Region I	San Carlos City	300388	Speaker Eugenio Perez Nat;l. Agr'l. Sch.	SAN CARLOS CITY	Shielded Metal Arc Welding (NC II)	1
Region I	San Fernando City	300118	La Union NHS	CITY OF SAN FERNANDO (Capital)	Cookery (NC II)	1
Region I	San Fernando City	300118	La Union NHS	CITY OF SAN FERNANDO (Capital)	Food and Beverage Services (NC II)	1
Region I	San Fernando City	300116	Dr. Quintin Balcita Sr. NHS	CITY OF SAN FERNANDO (Capital)	Housekeeping (NC II)	1
Region I	Urdaneta City	300410	Urdaneta City NHS	CITY OF URDANETA	Cookery (NC II)	1
Region I	Vigan City	300052	Ilocos Sur NHS	CITY OF VIGAN (Capital)	Cookery (NC II)	1
Region I	Vigan City	300052	Ilocos Sur NHS	CITY OF VIGAN (Capital)	Food and Beverage Services (NC II)	1
Region II	Cagayan	300429	Baggao National Agricultural School	BAGGAO	Agricultural Crops Production (NC I)	1
Region II	Cagayan	300488	Sta. Ana Fishery National High School	SANTA ANA	Aquaculture (NC II)	1
Region II	Cagayan	300422	BAYBAYOG HIGH SCHOOL	ALCALA	Cookery (NC II)	2
Region II	Cagayan	300469	LAL-LO NATIONAL HIGH SCHOOL	LAL-LO	Cookery (NC II)	2
Region II	Cagayan	300486	Sanchez Mira SAT	SANCHEZ-MIRA	Cookery (NC II)	2
Region II	Cagayan	300487	Solana Fresh Water Fishery School	SOLANA	Cookery (NC II)	2
Region II	Cagayan	300483	Gonzaga National High School	GONZAGA	Cookery (NC II)	2
Region II	Cagayan	300467	Itawes National High School	TUAO	Cookery (NC II)	2
Region II	Cagayan	300444	Camalaniugan NHS	CAMALANIUGAN	Cookery (NC II)	2
Region II	Cagayan	300462	Gattaran National Trade School	GATTARAN	Cookery (NC II)	2
Region II	Cagayan	300445	Penablanca National High School	PEÑABLANCA	Cookery (NC II)	1
Region II	Cagayan	300430	Baggao National School of Arts & Trades	BAGGAO	Cookery (NC II)	1
Region II	Cagayan	300441	Calayan HS	CALAYAN	Cookery (NC II)	1
Region II	Cagayan	300468	Itawes Nat'l. Agr'l. & Tech'l. School - Bag	TUAO	Cookery (NC II)	1
Region II	Cagayan	300491	Sto. Nino NHS	SANTO NIÑO (FAIRE)	Cookery (NC II)	1
Region II	Cagayan	300429	Baggao National Agricultural School	BAGGAO	Cookery (NC II)	1
Region II	Cagayan	300484	Sampaguita NHS	SOLANA	Cookery (NC II)	1
Region II	Cagayan	300450	Claveria RVS	CLAVERIA	Cookery (NC II)	1
Region II	Cagayan	300493	Tuao Voc'l. and Tech'l. School - Culung A	TUAO	Cookery (NC II)	1



DEPARTMENT OF EDUCATION
BUREAU OF LEARNING RESOURCES
FY 2018 TVL Tools and Equipment Allocation List

Lot No. 3 Mass Production

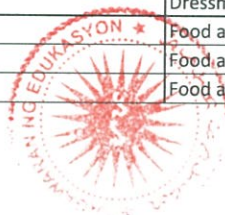
Region	Division	School_id	School_name	Municipality	Program/Specialization (EBEIS)	2018 No. of Packages
Region II	Cagayan	306002	Baggao NAS - Sta. Margarita Annex	BAGGAO	Cookery (NC II)	1
Region II	Cagayan	300451	Claveria SAT	CLAVERIA	Cookery (NC II)	1
Region II	Cagayan	300420	Afusing NHS	ALCALA	Cookery (NC II)	1
Region II	Cagayan	300456	Don Severino Pagalilauan National High School	PEÑABLANCA	Cookery (NC II)	1
Region II	Cagayan	300428	Aparri School of Arts and Trades	APARRI	Cookery (NC II)	1
Region II	Cagayan	300492	TUAO VOCATIONAL AND TECHNICAL SCHOOL	TUAO	Cookery (NC II)	1
Region II	Cagayan	300446	Cabbo NHS	PEÑABLANCA	Cookery (NC II)	1
Region II	Cagayan	300473	Libertad National High School	ABULUG	Cookery (NC II)	1
Region II	Cagayan	300434	Ballesteros NHS	BALLESTEROS	Cookery (NC II)	1
Region II	Cagayan	300422	BAYBAYOG HIGH SCHOOL	ALCALA	Food and Beverage Services (NC II)	2
Region II	Cagayan	300469	LAL-LO NATIONAL HIGH SCHOOL	LAL-LO	Food and Beverage Services (NC II)	2
Region II	Cagayan	300486	Sanchez Mira SAT	SANCHEZ-MIRA	Food and Beverage Services (NC II)	2
Region II	Cagayan	300487	Solana Fresh Water Fishery School	SOLANA	Food and Beverage Services (NC II)	2
Region II	Cagayan	300483	Gonzaga National High School	GONZAGA	Food and Beverage Services (NC II)	2
Region II	Cagayan	300444	Camalaniugan NHS	CAMALANIUGAN	Food and Beverage Services (NC II)	2
Region II	Cagayan	300462	Gattaran National Trade School	GATTARAN	Food and Beverage Services (NC II)	2
Region II	Cagayan	300445	Penablanca National High School	PEÑABLANCA	Food and Beverage Services (NC II)	1
Region II	Cagayan	300430	Baggao National School of Arts & Trades	BAGGAO	Food and Beverage Services (NC II)	1
Region II	Cagayan	300441	Calayan HS	CALAYAN	Food and Beverage Services (NC II)	1
Region II	Cagayan	300468	Itawes Nat'l. Agr'l. & Tech'l. School - Baggao	TUAO	Food and Beverage Services (NC II)	1
Region II	Cagayan	300491	Sto. Nino NHS	SANTO NIÑO (FAIRE)	Food and Beverage Services (NC II)	1
Region II	Cagayan	300429	Baggao National Agricultural School	BAGGAO	Food and Beverage Services (NC II)	1
Region II	Cagayan	300484	Sampaguita NHS	SOLANA	Food and Beverage Services (NC II)	1
Region II	Cagayan	300450	Claveria RVS	CLAVERIA	Food and Beverage Services (NC II)	1
Region II	Cagayan	300493	Tuaoc Voc'l. and Tech'l. School - Culung A	TUAO	Food and Beverage Services (NC II)	1
Region II	Cagayan	306002	Baggao NAS - Sta. Margarita Annex	BAGGAO	Food and Beverage Services (NC II)	1
Region II	Cagayan	300451	Claveria SAT	CLAVERIA	Food and Beverage Services (NC II)	1
Region II	Cagayan	300420	Afusing NHS	ALCALA	Food and Beverage Services (NC II)	1
Region II	Cagayan	300456	Don Severino Pagalilauan National High School	PEÑABLANCA	Food and Beverage Services (NC II)	1
Region II	Cagayan	300428	Aparri School of Arts and Trades	APARRI	Food and Beverage Services (NC II)	1
Region II	Cagayan	300492	TUAO VOCATIONAL AND TECHNICAL SCHOOL	TUAO	Food and Beverage Services (NC II)	1
Region II	Cagayan	300424	Allacapan Vocational High School	ALLACAPAN	Food and Beverage Services (NC II)	1
Region II	Cagayan	300434	Ballesteros NHS	BALLESTEROS	Food and Beverage Services (NC II)	1
Region II	Cagayan	300418	Abulug National Rural and Vocational High School	ABULUG	Horticulture (NC II)	1
Region II	Cagayan	300450	Claveria RVS	CLAVERIA	Horticulture (NC II)	1
Region II	Cagayan	300486	Sanchez Mira SAT	SANCHEZ-MIRA	Housekeeping (NC II)	1
Region II	Cagayan	300487	Solana Fresh Water Fishery School	SOLANA	Organic Agriculture (NC II)	1
Region II	Cagayan	300429	Baggao National Agricultural School	BAGGAO	Organic Agriculture (NC II)	1
Region II	Cagayan	300488	Sta. Ana Fishery National High School	SANTA ANA	Organic Agriculture (NC II)	1
Region II	Cagayan	300434	Ballesteros NHS	BALLESTEROS	Organic Agriculture (NC II)	1
Region II	Cagayan	300492	TUAO VOCATIONAL AND TECHNICAL SCHOOL	TUAO	Shielded Metal Arc Welding (NC I and NC II)	1
Region II	Cagayan	300444	Camalaniugan NHS	CAMALANIUGAN	Shielded Metal Arc Welding (NC I and NC II)	1
Region II	Cagayan	300420	Afusing NHS	ALCALA	Shielded Metal Arc Welding (NC I and NC II)	1
Region II	Cagayan	300425	AMULUNG NATIONAL HIGH SCHOOL	AMULUNG	Shielded Metal Arc Welding (NC I and NC II)	1
Region II	Cagayan	300486	Sanchez Mira SAT	SANCHEZ-MIRA	Travel Services (NC II)	1
Region II	City of Ilagan	300602	Sta. Isabel National High School	ILAGAN CITY (CAPITAL)	Dressmaking (NC II)	1
Region II	City of Ilagan	300602	Sta. Isabel National High School	ILAGAN CITY (CAPITAL)	Food and Beverage Services (NC II)	1
Region II	Isabela	300609	Tumauini National High School	TUMAUINI	Cookery (NC II)	1
Region II	Isabela	300520	Delfin Albano High School-Main	CABANGAN	Cookery (NC II)	1
Region II	Isabela	300585	San Antonio National High School	DELFIN ALBANO (MAGSAYSAN)	Cookery (NC II)	1
Region II	Isabela	300522	Delfin Albano High School - San Juan Annex	CABANGAN	Cookery (NC II)	1
Region II	Isabela	300558	Luna National High School	LUNA	Cookery (NC II)	1



DEPARTMENT OF EDUCATION
BUREAU OF LEARNING RESOURCES
FY 2018 TVL Tools and Equipment Allocation List

Lot No. 3 Mass Production

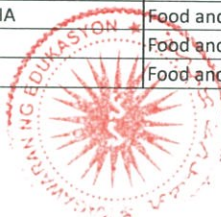
Region	Division	School_id	School_name	Municipality	Program/Specialization (EBEIS)	2018 No. of Packages
Region II	Isabela	300596	San Mateo Vocational and Industrial High School	SAN MATEO	Cookery (NC II)	1
Region II	Isabela	300592	San Mariano National High School - Mairapora	SAN MARIANO	Cookery (NC II)	1
Region II	Isabela	300590	San Guillermo Vocational & Industrial High School	SAN GUILLERMO	Cookery (NC II)	1
Region II	Isabela	342077	Aurora Senior High School	AURORA	Cookery (NC II)	1
Region II	Isabela	300587	Ragan Sur National High School	DELFIN ALBANO (MAGSAYSAY)	Cookery (NC II)	1
Region II	Isabela	500088	Cumabao Integrated School	TUMAUINI	Cookery (NC II)	1
Region II	Isabela	300605	Buenaventura G. Masigan National High School	SANTA MARIA	Cookery (NC II)	1
Region II	Isabela	300522	Delfin Albano High School - San Juan Anino	CABANGAN	Food and Beverage Services (NC II)	1
Region II	Isabela	300574	Raniag High School	RAMON	Food and Beverage Services (NC II)	1
Region II	Isabela	300592	San Mariano National High School - Mairapora	SAN MARIANO	Food and Beverage Services (NC II)	1
Region II	Isabela	300590	San Guillermo Vocational & Industrial High School	SAN GUILLERMO	Food and Beverage Services (NC II)	1
Region II	Isabela	342077	Aurora Senior High School	AURORA	Food and Beverage Services (NC II)	1
Region II	Isabela	300558	Luna National High School	LUNA	Food and Beverage Services (NC II)	1
Region II	Isabela	500088	Cumabao Integrated School	TUMAUINI	Food and Beverage Services (NC II)	1
Region II	Isabela	300601	St. Paul Vocational & Industrial High School	SAN PABLO	Food and Beverage Services (NC II)	1
Region II	Isabela	300609	Tumauini National High School	TUMAUINI	Horticulture (NC II)	1
Region II	Isabela	300568	Quezon National High School	QUEZON	Horticulture (NC II)	1
Region II	Isabela	300609	Tumauini National High School	TUMAUINI	Shielded Metal Arc Welding (NC I and NC II)	1
Region II	Isabela	300585	San Antonio National High School	DELFIN ALBANO (MAGSAYSAY)	Shielded Metal Arc Welding (NC I and NC II)	1
Region II	Isabela	300558	Luna National High School	LUNA	Shielded Metal Arc Welding (NC I and NC II)	1
Region II	Nueva Vizcaya	300618	Aritao National High School	ARITAO	Cookery (NC II)	1
Region II	Nueva Vizcaya	300620	Bambang NHS	BAMBANG	Cookery (NC II)	1
Region II	Santiago City	300599	Santiago City National High School	CITY OF SANTIAGO	Cookery (NC II)	1
Region III	Angeles City	307201	Rafael L. Lazatin Mem. HS	ANGELES CITY	Cookery (NC II)	2
Region III	Angeles City	301038	Angeles City Nat'l. Trade School	ANGELES CITY	Dressmaking (NC II)	1
Region III	Angeles City	301039	Angeles City NHS	ANGELES CITY	Food and Beverage Services (NC II)	2
Region III	Angeles City	301038	Angeles City Nat'l. Trade School	ANGELES CITY	Food and Beverage Services (NC II)	2
Region III	Angeles City	301043	Sapang Bato National High School	ANGELES CITY	Food and Beverage Services (NC II)	2
Region III	Angeles City	307201	Rafael L. Lazatin Mem. HS	ANGELES CITY	Food and Beverage Services (NC II)	2
Region III	Angeles City	301039	Angeles City NHS	ANGELES CITY	Housekeeping (NC II)	3
Region III	Angeles City	301038	Angeles City Nat'l. Trade School	ANGELES CITY	Shielded Metal Arc Welding (NC I and NC II)	1
Region III	Balanga City	300702	Bataan National High School	CITY OF BALANGA (Capital)	Shielded Metal Arc Welding (NC I and NC II)	2
Region III	Bataan	300703	Bataan School of Fisheries	ORION	Aquaculture (NC II)	1
Region III	Bataan	300715	Orani NHS	ORANI	Cookery (NC II)	2
Region III	Bataan	300716	P. Roman NHS	PILAR	Cookery (NC II)	2
Region III	Bataan	300699	E. C. Bernabe National High School	BAGAC	Cookery (NC II)	2
Region III	Bataan	300708	Luakan NHS	DINALUPIHAN	Cookery (NC II)	2
Region III	Bataan	306603	Sta. Lucia HS	DINALUPIHAN	Cookery (NC II)	1
Region III	Bataan	300704	Jose C. Payumo Jr. Memorial High School	DINALUPIHAN	Cookery (NC II)	1
Region III	Bataan	361011	Mariveles SHS - Sitio Mabuhay	MARIVELES	Cookery (NC II)	1
Region III	Bataan	300707	Limay NHS	LIMAY	Cookery (NC II)	1
Region III	Bataan	306601	Justice E.A. Gancayco MHS	ORION	Cookery (NC II)	1
Region III	Bataan	300719	Samal NHS	SAMAL	Cookery (NC II)	1
Region III	Bataan	300705	Hermosa NHS	HERMOSA	Cookery (NC II)	1
Region III	Bataan	300697	B. Camacho NHS	ABUCAY	Cookery (NC II)	1
Region III	Bataan	300706	Lamao NHS	LIMAY	Cookery (NC II)	1
Region III	Bataan	306618	Mariveles NHS - Camaya Campus	MARIVELES	Cookery (NC II)	1
Region III	Bataan	300703	Bataan School of Fisheries	ORION	Cookery (NC II)	1
Region III	Bataan	300703	Bataan School of Fisheries	ORION	Dressmaking (NC II)	1
Region III	Bataan	300715	Orani NHS	ORANI	Food and Beverage Services (NC II)	2
Region III	Bataan	300716	P. Roman NHS	PILAR	Food and Beverage Services (NC II)	2
Region III	Bataan	300699	E. C. Bernabe National High School	BAGAC	Food and Beverage Services (NC II)	2



DEPARTMENT OF EDUCATION
BUREAU OF LEARNING RESOURCES
FY 2018 TVL Tools and Equipment Allocation List

Lot No. 3 Mass Production

Region	Division	School_id	School_name	Municipality	Program/Specialization (EBEIS)	2018 No. of Packages
Region III	Bataan	300708	Luakan NHS	DINALUPIHAN	Food and Beverage Services (NC II)	2
Region III	Bataan	306603	Sta. Lucia HS	DINALUPIHAN	Food and Beverage Services (NC II)	1
Region III	Bataan	300704	Jose C. Payumo Jr. Memorial High School	DINALUPIHAN	Food and Beverage Services (NC II)	1
Region III	Bataan	361011	Mariveles SHS - Sitio Mabuhay	MARIVELES	Food and Beverage Services (NC II)	1
Region III	Bataan	300707	Limay NHS	LIMAY	Food and Beverage Services (NC II)	1
Region III	Bataan	306601	Justice E.A.Gancayco MHS	ORION	Food and Beverage Services (NC II)	1
Region III	Bataan	300719	Samal NHS	SAMAL	Food and Beverage Services (NC II)	1
Region III	Bataan	300705	Hermosa NHS	HERMOSA	Food and Beverage Services (NC II)	1
Region III	Bataan	300697	B. Camacho NHS	ABUCAY	Food and Beverage Services (NC II)	1
Region III	Bataan	300706	Lamao NHS	LIMAY	Food and Beverage Services (NC II)	1
Region III	Bataan	306606	Orani NHS - Parang-Parang	ORANI	Food and Beverage Services (NC II)	1
Region III	Bataan	306618	Mariveles NHS - Camaya Campus	MARIVELES	Food and Beverage Services (NC II)	1
Region III	Bataan	300704	Jose C. Payumo Jr. Memorial High School	DINALUPIHAN	Organic Agriculture (NC II)	1
Region III	Bataan	300707	Limay NHS	LIMAY	Shielded Metal Arc Welding (NC I and NC II)	2
Region III	Bataan	300699	E. C. Bernabe National High School	BAGAC	Shielded Metal Arc Welding (NC I and NC II)	1
Region III	Bataan	300716	P. Roman NHS	PILAR	Shielded Metal Arc Welding (NC I and NC II)	1
Region III	Bataan	300719	Samal NHS	SAMAL	Shielded Metal Arc Welding (NC I and NC II)	1
Region III	Bataan	300705	Hermosa NHS	HERMOSA	Shielded Metal Arc Welding (NC I and NC II)	2
Region III	Bataan	300715	Orani NHS	ORANI	Shielded Metal Arc Welding (NC I and NC II)	1
Region III	Bataan	300708	Luakan NHS	DINALUPIHAN	Shielded Metal Arc Welding (NC I and NC II)	1
Region III	Bataan	300706	Lamao NHS	LIMAY	Shielded Metal Arc Welding (NC I and NC II)	1
Region III	Bataan	306601	Justice E.A.Gancayco MHS	ORION	Shielded Metal Arc Welding (NC I and NC II)	2
Region III	Bataan	300713	Morong NHS	MORONG	Shielded Metal Arc Welding (NC I and NC II)	1
Region III	Bataan	306618	Mariveles NHS - Camaya Campus	MARIVELES	Shielded Metal Arc Welding (NC I and NC II)	1
Region III	Bataan	306606	Orani NHS - Parang-Parang	ORANI	Shielded Metal Arc Welding (NC I and NC II)	1
Region III	Bataan	300703	Bataan School of Fisheries	ORION	Tailoring (NC II)	1
Region III	Bataan	300713	Morong NHS	MORONG	Travel Services (NC II)	2
Region III	Bulacan	300735	DAMPOL 2ND NATIONAL HIGH SCHOOL	PULILAN	Cookery (NC II)	2
Region III	Bulacan	300765	Parada NHS	SANTA MARIA	Cookery (NC II)	2
Region III	Bulacan	300743	Iba National High School	HAGONOY	Cookery (NC II)	2
Region III	Bulacan	300733	Cambaog NHS	BUSTOS	Cookery (NC II)	2
Region III	Bulacan	300773	San Rafael Nat'l Trade School	SAN RAFAEL	Cookery (NC II)	1
Region III	Bulacan	300742	Guiguinto Nat'l Voc'l. High School	GUIGUINTO	Cookery (NC II)	1
Region III	Bulacan	300778	Sullivan National High School	BALIUAG	Cookery (NC II)	1
Region III	Bulacan	300768	Calumpit NHS (San Marcos NHS)	CALUMPIT	Dressmaking (NC II)	2
Region III	Bulacan	300756	Sta. Monica National High School	HAGONOY	Dressmaking (NC II)	2
Region III	Bulacan	300754	Ramona S. Trillana HS (Mayor Ramon Tri	HAGONOY	Food and Beverage Services (NC II)	2
Region III	Bulacan	300748	Carlos F. Gonzales HS (Maguinao Cruz na	SAN RAFAEL	Food and Beverage Services (NC II)	2
Region III	Bulacan	300740	ASSEMBLYWOMAN FELICITA G. BERNAR	MARILAO	Food and Beverage Services (NC II)	2
Region III	Bulacan	300766	Prenza NHS	MARILAO	Food and Beverage Services (NC II)	2
Region III	Bulacan	300720	Alexis G. Santos National High School	BUSTOS	Food and Beverage Services (NC II)	2
Region III	Bulacan	300742	Guiguinto Nat'l Voc'l. High School	GUIGUINTO	Food and Beverage Services (NC II)	2
Region III	Bulacan	300741	Felizardo C. Lipana NHS (Sta. Rita HS)	GUIGUINTO	Food and Beverage Services (NC II)	2
Region III	Bulacan	300745	San Roque National HS	PAOMBONG	Food and Beverage Services (NC II)	2
Region III	Bulacan	300736	Sta. Lucia High School	CALUMPIT	Food and Beverage Services (NC II)	2
Region III	Bulacan	300768	Calumpit NHS (San Marcos NHS)	CALUMPIT	Food and Beverage Services (NC II)	2
Region III	Bulacan	300735	DAMPOL 2ND NATIONAL HIGH SCHOOL	PULILAN	Food and Beverage Services (NC II)	2
Region III	Bulacan	300765	Parada NHS	SANTA MARIA	Food and Beverage Services (NC II)	2
Region III	Bulacan	345214	SHS in Obando, Bulacan	OBANDO	Food and Beverage Services (NC II)	2
Region III	Bulacan	300739	F. F. Halili Nat'l. Agr'l. School	SANTA MARIA	Food and Beverage Services (NC II)	2
Region III	Bulacan	300733	Cambaog NHS	BUSTOS	Food and Beverage Services (NC II)	2
Region III	Bulacan	300756	Sta. Monica National High School	HAGONOY	Food and Beverage Services (NC II)	2



DEPARTMENT OF EDUCATION
BUREAU OF LEARNING RESOURCES
FY 2018 TVL Tools and Equipment Allocation List

Lot No. 3 Mass Production

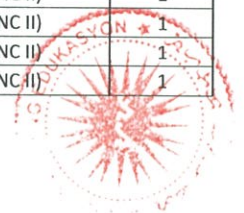
Region	Division	School_id	School_name	Municipality	Program/Specialization (EBEIS)	2018 No. of Packages
Region III	Bulacan	300773	San Rafael Nat'l Trade School	SAN RAFAEL	Food and Beverage Services (NC II)	1
Region III	Bulacan	300780	Tiaong NHS	GUIGUINTO	Food and Beverage Services (NC II)	1
Region III	Bulacan	300729	Masagana HS	PANDI	Food and Beverage Services (NC II)	1
Region III	Bulacan	300721	Balagtas National Agricultural HS	BALAGTAS (BIGAA)	Food and Beverage Services (NC II)	1
Region III	Bulacan	306713	Bajet-Castillo High School	PULILAN	Food and Beverage Services (NC II)	1
Region III	Bulacan	300778	Sullivan National High School	BALIUAG	Food and Beverage Services (NC II)	1
Region III	Bulacan	300771	San Miguel NHS	SAN MIGUEL	Horticulture (NC II)	2
Region III	Bulacan	300732	San Ildefonso National High School	SAN ILDEFONSO	Horticulture (NC II)	1
Region III	Bulacan	300760	Norzagaray National High School	NORZAGARAY	Housekeeping (NC II)	1
Region III	Bulacan	300742	Guiguinto Nat'l Voc'l. High School	GUIGUINTO	Housekeeping (NC II)	2
Region III	Bulacan	300728	Bunsuran NHS	PANDI	Housekeeping (NC II)	2
Region III	Bulacan	300729	Masagana HS	PANDI	Housekeeping (NC II)	1
Region III	Bulacan	300721	Balagtas National Agricultural HS	BALAGTAS (BIGAA)	Shielded Metal Arc Welding (NC I and NC II)	2
Region III	Bulacan	300740	ASSEMBLYWOMAN FELICITA G. BERNARDO	MARILAO	Shielded Metal Arc Welding (NC I and NC II)	2
Region III	Bulacan	300736	Sta. Lucia High School	CALUMPIT	Shielded Metal Arc Welding (NC I and NC II)	1
Region III	Bulacan	300742	Guiguinto Nat'l Voc'l. High School	GUIGUINTO	Shielded Metal Arc Welding (NC I and NC II)	1
Region III	Bulacan	300773	San Rafael Nat'l Trade School	SAN RAFAEL	Shielded Metal Arc Welding (NC I and NC II)	1
Region III	Bulacan	300728	Bunsuran NHS	PANDI	Tailoring (NC II)	2
Region III	Bulacan	300742	Guiguinto Nat'l Voc'l. High School	GUIGUINTO	Tailoring (NC II)	1
Region III	Bulacan	300739	F. F. Halili Nat'l. Agr'l. School	SANTA MARIA	Tailoring (NC II)	1
Region III	Gapan City	300812	Juan R. Liwag Mem. NHS	CITY OF GAPAN	Food and Beverage Services (NC II)	1
Region III	Mabalacat City	300889	Madapdap Resettlement HS	MAGALANG	Cookery (NC II)	1
Region III	Mabalacat City	306909	Mabalacat Technical Vocational School	MABALACAT CITY	Dressmaking (NC II)	1
Region III	Mabalacat City	300895	Mabalacat NHS	MABALACAT CITY	Food and Beverage Services (NC II)	2
Region III	Mabalacat City	300889	Madapdap Resettlement HS	MAGALANG	Food and Beverage Services (NC II)	1
Region III	Mabalacat City	300895	Mabalacat NHS	MABALACAT CITY	Housekeeping (NC II)	2
Region III	Mabalacat City	306909	Mabalacat Technical Vocational School	MABALACAT CITY	Tailoring (NC II)	1
Region III	Malolos City	300751	Marcelo H. del Pilar National HS	CITY OF MALOLOS (Capital)	Cookery (NC II)	1
Region III	Malolos City	300750	Malolos Marine Fishery School & Labora	CITY OF MALOLOS (Capital)	Cookery (NC II)	1
Region III	Malolos City	300751	Marcelo H. del Pilar National HS	CITY OF MALOLOS (Capital)	Food and Beverage Services (NC II)	2
Region III	Malolos City	300750	Malolos Marine Fishery School & Labora	CITY OF MALOLOS (Capital)	Food and Beverage Services (NC II)	1
Region III	Malolos City	300750	Malolos Marine Fishery School & Labora	CITY OF MALOLOS (Capital)	Shielded Metal Arc Welding (NC I and NC II)	1
Region III	Malolos City	300751	Marcelo H. del Pilar National HS	CITY OF MALOLOS (Capital)	Shielded Metal Arc Welding (NC I and NC II)	1
Region III	Meycauayan City	300757	Meycauayan NHS	CITY OF MEYCAUAYAN	Cookery (NC II)	1
Region III	Munoz Science Ci	300824	Munoz National HS-Main	SCIENCE CITY OF MUÑOZ	Cookery (NC II)	1
Region III	Munoz Science Ci	300824	Munoz National HS-Main	SCIENCE CITY OF MUÑOZ	Food and Beverage Services (NC II)	2
Region III	Munoz Science Ci	300824	Munoz National HS-Main	SCIENCE CITY OF MUÑOZ	Shielded Metal Arc Welding (NC I and NC II)	2
Region III	Nueva Ecija	300809	Bartolome R Sangalang National High Sc	GUIMBA	Cookery (NC II)	1
Region III	Nueva Ecija	300792	Cabiao National High School	CABIAO	Cookery (NC II)	1
Region III	Nueva Ecija	300828	Palayan City National High School	PALAYAN CITY (Capital)	Cookery (NC II)	2
Region III	Nueva Ecija	300783	Aliaga National High School	ALIAGA	Cookery (NC II)	2
Region III	Nueva Ecija	300806	Galvan National High School	GUIMBA	Cookery (NC II)	2
Region III	Nueva Ecija	300789	BICOS NATIONAL HIGH SCHOOL	RIZAL	Cookery (NC II)	2
Region III	Nueva Ecija	300864	TALAVERA NATIONAL HIGH SCHOOL	TALAVERA	Cookery (NC II)	2
Region III	Nueva Ecija	300832	Peñaranda National High School	PEÑARANDA	Cookery (NC II)	1
Region III	Nueva Ecija	300840	Rio Chico National High School	GENERAL TINIO (PAPAYA)	Cookery (NC II)	1
Region III	Nueva Ecija	300857	Sto. Domingo NTS	SANTO DOMINGO	Cookery (NC II)	1
Region III	Nueva Ecija	300790	Bongabon NHS	BONGABON	Cookery (NC II)	1
Region III	Nueva Ecija	300801	Cuyapo National High School	CUYAPO	Cookery (NC II)	1
Region III	Nueva Ecija	300821	Mambangnan NHS	SAN LEONARDO	Cookery (NC II)	1
Region III	Nueva Ecija	300826	Nueva Ecija NHS	CABANATUAN CITY	Cookery (NC II)	1
Region III	Nueva Ecija	306801	SANTA ROSA NATIONAL HIGH SCHOOL	SANTA ROSA	Cookery (NC II)	1



DEPARTMENT OF EDUCATION
BUREAU OF LEARNING RESOURCES
FY 2018 TVL Tools and Equipment Allocation List

Lot No. 3 Mass Production

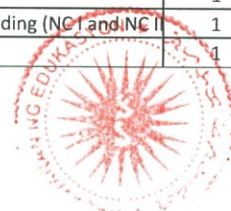
Region	Division	School_id	School_name	Municipality	Program/Specialization (EBEIS)	2018 No. of Packages
Region III	Nueva Ecija	300846	San Francisco NHS	SAN ANTONIO	Cookery (NC II)	1
Region III	Nueva Ecija	300805	Gabaldon Voc'l. Agric. HS	GABALDON (BITULOK & SABA	Cookery (NC II)	1
Region III	Nueva Ecija	300834	Pulo NHS	SAN ISIDRO	Cookery (NC II)	1
Region III	Nueva Ecija	300827	Paitan Sur NHS	CUYAPO	Cookery (NC II)	1
Region III	Nueva Ecija	300841	Rizal NHS	RIZAL	Cookery (NC II)	1
Region III	Nueva Ecija	300866	Talugtug NHS	TALUGTUG	Cookery (NC II)	1
Region III	Nueva Ecija	300802	Doña Juana Chioco National High School	LUPAO	Cookery (NC II)	1
Region III	Nueva Ecija	306821	Dr. Jose Lapuz Salonga HS (Former San M	SAN ANTONIO	Cookery (NC II)	1
Region III	Nueva Ecija	300862	Gen. Mamerto Natividad National HS	GENERAL MAMERTO NATIVID	Cookery (NC II)	1
Region III	Nueva Ecija	300871	ZARAGOZA NATIONAL HIGH SCHOOL	ZARAGOZA	Cookery (NC II)	1
Region III	Nueva Ecija	300788	Batitang National High School	ZARAGOZA	Cookery (NC II)	1
Region III	Nueva Ecija	300782	Agbannawag National High School	RIZAL	Cookery (NC II)	1
Region III	Nueva Ecija	300796	Carmen NHS	ZARAGOZA	Cookery (NC II)	1
Region III	Nueva Ecija	300865	Tabacao National High School	TALAVERA	Cookery (NC II)	1
Region III	Nueva Ecija	300817	Magpapalayok NHS	SAN LEONARDO	Cookery (NC II)	1
Region III	Nueva Ecija	300804	Eduardo L. Joson Mem. HS	QUEZON	Cookery (NC II)	1
Region III	Nueva Ecija	300845	Exequiel R. Lina National High School	LICAB	Cookery (NC II)	1
Region III	Nueva Ecija	300819	Maligaya National High School	PALAYAN CITY (Capital)	Cookery (NC II)	1
Region III	Nueva Ecija	300807	General Luna NHS	LLANERA	Cookery (NC II)	1
Region III	Nueva Ecija	300850	San Ricardo NHS	TALAVERA	Cookery (NC II)	1
Region III	Nueva Ecija	300838	Nampicuan NHS	NAMPICUAN	Cookery (NC II)	1
Region III	Nueva Ecija	300863	Eduardo L. Joson Memorial HS	GENERAL MAMERTO NATIVID	Cookery (NC II)	1
Region III	Nueva Ecija	300814	Julia Ortiz Luiz NHS	SANTO DOMINGO	Cookery (NC II)	1
Region III	Nueva Ecija	300816	Macabaclay National High School	BONGABON	Cookery (NC II)	1
Region III	Nueva Ecija	300810	Hilario E. Hermosa Mem. HS	LAUR	Cookery (NC II)	1
Region III	Nueva Ecija	300858	Sto. Rosario NHS , Sta. Rosa	SANTA ROSA	Cookery (NC II)	1
Region III	Nueva Ecija	300848	San Mariano National High School	SAN ANTONIO	Cookery (NC II)	1
Region III	Nueva Ecija	300861	Talabutab Norte National High School	GENERAL MAMERTO NATIVID	Cookery (NC II)	1
Region III	Nueva Ecija	300787	Fort Magsaysay NHS (formerly Barangay	PALAYAN CITY (Capital)	Cookery (NC II)	1
Region III	Nueva Ecija	300797	Carranglan NHS	CARRANGLAN	Cookery (NC II)	1
Region III	Nueva Ecija	300871	ZARAGOZA NATIONAL HIGH SCHOOL	ZARAGOZA	Dressmaking (NC II)	1
Region III	Nueva Ecija	300819	Maligaya National High School	PALAYAN CITY (Capital)	Dressmaking (NC II)	1
Region III	Nueva Ecija	300809	Bartolome R Sangalang National High Sc	GUIMBA	Food and Beverage Services (NC II)	2
Region III	Nueva Ecija	300828	Palayan City National High School	PALAYAN CITY (Capital)	Food and Beverage Services (NC II)	2
Region III	Nueva Ecija	300783	Aliaga National High School	ALIAGA	Food and Beverage Services (NC II)	2
Region III	Nueva Ecija	300806	Galvan National High School	GUIMBA	Food and Beverage Services (NC II)	2
Region III	Nueva Ecija	300789	BICOS NATIONAL HIGH SCHOOL	RIZAL	Food and Beverage Services (NC II)	2
Region III	Nueva Ecija	300864	TALAVERA NATIONAL HIGH SCHOOL	TALAVERA	Food and Beverage Services (NC II)	2
Region III	Nueva Ecija	300832	Peñaranda National High School	PEÑARANDA	Food and Beverage Services (NC II)	1
Region III	Nueva Ecija	300840	Rio Chico National High School	GENERAL TININGO (PAPAYA)	Food and Beverage Services (NC II)	1
Region III	Nueva Ecija	300857	Sto. Domingo NTS	SANTO DOMINGO	Food and Beverage Services (NC II)	1
Region III	Nueva Ecija	300790	Bongabon NHS	BONGABON	Food and Beverage Services (NC II)	1
Region III	Nueva Ecija	300801	Cuyapo National High School	CUYAPO	Food and Beverage Services (NC II)	1
Region III	Nueva Ecija	300821	Mambangnan NHS	SAN LEONARDO	Food and Beverage Services (NC II)	1
Region III	Nueva Ecija	300826	Nueva Ecija NHS	CABANATUAN CITY	Food and Beverage Services (NC II)	1
Region III	Nueva Ecija	306801	SANTA ROSA NATIONAL HIGH SCHOOL	SANTA ROSA	Food and Beverage Services (NC II)	1
Region III	Nueva Ecija	300846	San Francisco NHS	SAN ANTONIO	Food and Beverage Services (NC II)	1
Region III	Nueva Ecija	300805	Gabaldon Voc'l. Agric. HS	GABALDON (BITULOK & SABA	Food and Beverage Services (NC II)	1
Region III	Nueva Ecija	300834	Pulo NHS	SAN ISIDRO	Food and Beverage Services (NC II)	1
Region III	Nueva Ecija	300827	Paitan Sur NHS	CUYAPO	Food and Beverage Services (NC II)	1
Region III	Nueva Ecija	300820	MALLORCA NATIONAL HIGH SCHOOL	SAN LEONARDO	Food and Beverage Services (NC II)	1
Region III	Nueva Ecija	300841	Rizal NHS	RIZAL	Food and Beverage Services (NC II)	1



DEPARTMENT OF EDUCATION
BUREAU OF LEARNING RESOURCES
FY 2018 TVL Tools and Equipment Allocation List

Lot No. 3 Mass Production

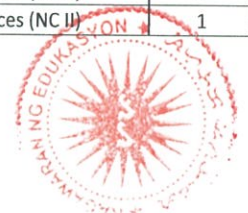
Region	Division	School_id	School_name	Municipality	Program/Specialization (EBEIS)	2018 No. of Packages
Region III	Nueva Ecija	300866	Talugtug NHS	TALUGTUG	Food and Beverage Services (NC II)	1
Region III	Nueva Ecija	300802	Doña Juana Chioco National High School	LUPAO	Food and Beverage Services (NC II)	1
Region III	Nueva Ecija	306821	Dr. Jose Lapuz Salonga HS (Former San M	SAN ANTONIO	Food and Beverage Services (NC II)	1
Region III	Nueva Ecija	300862	Gen. Mamerto Natividad National HS	GENERAL MAMERTO NATIVIDAD	Food and Beverage Services (NC II)	1
Region III	Nueva Ecija	300788	Batitang National High School	ZARAGOZA	Food and Beverage Services (NC II)	1
Region III	Nueva Ecija	300782	Agbannawag National High School	RIZAL	Food and Beverage Services (NC II)	1
Region III	Nueva Ecija	300796	Carmen NHS	ZARAGOZA	Food and Beverage Services (NC II)	1
Region III	Nueva Ecija	300865	Tabacao National High School	TALAVERA	Food and Beverage Services (NC II)	1
Region III	Nueva Ecija	300817	Magpapalayok NHS	SAN LEONARDO	Food and Beverage Services (NC II)	1
Region III	Nueva Ecija	300805	Gabaldon Voc'l. Agric. HS	GABALDON (BITULOK & SABA	Horticulture (NC II)	1
Region III	Nueva Ecija	300809	Bartolome R Sangalang National High School	GUIMBA	Horticulture (NC II)	1
Region III	Nueva Ecija	300814	Julia Ortiz Luiz NHS	SANTO DOMINGO	Horticulture (NC II)	1
Region III	Nueva Ecija	300847	San Isidro NHS	LUPAO	Horticulture (NC II)	1
Region III	Nueva Ecija	300866	Talugtug NHS	TALUGTUG	Horticulture (NC II)	1
Region III	Nueva Ecija	300793	Cabucbucan NHS	RIZAL	Horticulture (NC II)	1
Region III	Nueva Ecija	300864	TALAVERA NATIONAL HIGH SCHOOL	TALAVERA	Horticulture (NC II)	1
Region III	Nueva Ecija	300816	Macabaclay National High School	BONGABON	Horticulture (NC II)	1
Region III	Nueva Ecija	306828	Talugtug NHS Annex-Saverona	TALUGTUG	Horticulture (NC II)	1
Region III	Nueva Ecija	300838	Nampicuan NHS	NAMPICUAN	Horticulture (NC II)	1
Region III	Nueva Ecija	300790	Bongabon NHS	BONGABON	Horticulture (NC II)	1
Region III	Nueva Ecija	300796	Carmen NHS	ZARAGOZA	Horticulture (NC II)	1
Region III	Nueva Ecija	300797	Carranglan NHS	CARRANGLAN	Horticulture (NC II)	1
Region III	Nueva Ecija	300808	General Tinio NHS	GENERAL TINIO (PAPAYA)	Horticulture (NC II)	1
Region III	Nueva Ecija	300802	Doña Juana Chioco National High School	LUPAO	Horticulture (NC II)	1
Region III	Nueva Ecija	300861	Talabutab Norte National High School	GENERAL MAMERTO NATIVIDAD	Horticulture (NC II)	1
Region III	Nueva Ecija	300794	Calaba National High School	SAN ISIDRO	Housekeeping (NC II)	1
Region III	Nueva Ecija	300820	MALLORCA NATIONAL HIGH SCHOOL	SAN LEONARDO	Housekeeping (NC II)	1
Region III	Nueva Ecija	300859	Sto. Rosario NHS, Sto. Domingo	SANTO DOMINGO	Housekeeping (NC II)	1
Region III	Nueva Ecija	300850	San Ricardo NHS	TALAVERA	Organic Agriculture (NC II)	1
Region III	Nueva Ecija	300803	Dr. Ramon de Santos NHS	CUYAPO	Organic Agriculture (NC II)	1
Region III	Nueva Ecija	300852	Sibul National High School	TALAVERA	Organic Agriculture (NC II)	1
Region III	Nueva Ecija	300792	Cabiao National High School	CABIAO	Shielded Metal Arc Welding (NC I and NC II)	2
Region III	Nueva Ecija	300790	Bongabon NHS	BONGABON	Shielded Metal Arc Welding (NC I and NC II)	2
Region III	Nueva Ecija	300802	Doña Juana Chioco National High School	LUPAO	Shielded Metal Arc Welding (NC I and NC II)	1
Region III	Nueva Ecija	300871	ZARAGOZA NATIONAL HIGH SCHOOL	ZARAGOZA	Shielded Metal Arc Welding (NC I and NC II)	1
Region III	Nueva Ecija	300828	Palayan City National High School	PALAYAN CITY (Capital)	Shielded Metal Arc Welding (NC I and NC II)	1
Region III	Nueva Ecija	300814	Julia Ortiz Luiz NHS	SANTO DOMINGO	Shielded Metal Arc Welding (NC I and NC II)	1
Region III	Nueva Ecija	300836	Lambakin National High School	JAEN	Shielded Metal Arc Welding (NC I and NC II)	1
Region III	Nueva Ecija	300862	Gen. Mamerto Natividad National HS	GENERAL MAMERTO NATIVIDAD	Shielded Metal Arc Welding (NC I and NC II)	1
Region III	Nueva Ecija	300807	General Luna NHS	LLANERA	Shielded Metal Arc Welding (NC I and NC II)	1
Region III	Nueva Ecija	300787	Fort Magsaysay NHS (formerly Barangay	PALAYAN CITY (Capital)	Shielded Metal Arc Welding (NC I and NC II)	1
Region III	Nueva Ecija	300857	Sto. Domingo NTS	SANTO DOMINGO	Shielded Metal Arc Welding (NC I and NC II)	1
Region III	Nueva Ecija	300858	Sto. Rosario NHS , Sta. Rosa	SANTA ROSA	Shielded Metal Arc Welding (NC I and NC II)	1
Region III	Olongapo City	301057	New Cabalan National High School	OLONGAPO CITY	Cookery (NC II)	2
Region III	Olongapo City	345224	Mabayuan Senior High School Stand Alone	OLONGAPO CITY	Cookery (NC II)	2
Region III	Olongapo City	361079	SHS within Tapinac ES	OLONGAPO CITY	Cookery (NC II)	1
Region III	Olongapo City	301057	New Cabalan National High School	OLONGAPO CITY	Food and Beverage Services (NC II)	2
Region III	Olongapo City	345224	Mabayuan Senior High School Stand Alone	OLONGAPO CITY	Food and Beverage Services (NC II)	2
Region III	Olongapo City	361079	SHS within Tapinac ES	OLONGAPO CITY	Food and Beverage Services (NC II)	1
Region III	Olongapo City	361079	SHS within Tapinac ES	OLONGAPO CITY	Housekeeping (NC II)	1
Region III	Olongapo City	301056	Kalalake NHS	OLONGAPO CITY	Shielded Metal Arc Welding (NC I and NC II)	1
Region III	Pampanga	300907	Porac Model Comm. HS (Resettlement Site)	PORAC	Cookery (NC II)	1



DEPARTMENT OF EDUCATION
BUREAU OF LEARNING RESOURCES
FY 2018 TVL Tools and Equipment Allocation List

Lot No. 3 Mass Production

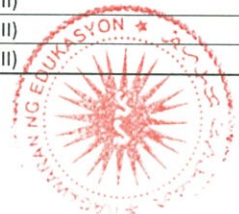
Region	Division	School_id	School_name	Municipality	Program/Specialization (EBEIS)	2018 No. of Packages
Region III	Pampanga	300910	Pulong Santol NHS - Annex 1	PORAC	Cookery (NC II)	2
Region III	Pampanga	300909	Pulong Santol National High School	PORAC	Cookery (NC II)	1
Region III	Pampanga	300905	Don Jesus Gonzales High School	MEXICO	Cookery (NC II)	1
Region III	Pampanga	300877	Balucuc High School	APALIT	Cookery (NC II)	2
Region III	Pampanga	500026	Concepcion IS	SAN SIMON	Cookery (NC II)	2
Region III	Pampanga	306908	Diosdado Macapagal HS	MEXICO	Cookery (NC II)	1
Region III	Pampanga	300943	Tinajero NHS - Sta. Lucia HS Annex	MAGALANG	Cookery (NC II)	1
Region III	Pampanga	300918	San Isidro NHS (San Luis)	SAN LUIS	Cookery (NC II)	1
Region III	Pampanga	300933	Masantol HS (Sta. Lucia NHS, Masantol)	MASANTOL	Cookery (NC II)	1
Region III	Pampanga	300915	San Esteban NHS	MACABEBE	Cookery (NC II)	1
Region III	Pampanga	300903	Pulungmasle NHS (Natividad NHS - Pulungmasle)	GUAGUA	Cookery (NC II)	1
Region III	Pampanga	300929	San Vicente NHS, Lubao	LUBAO	Cookery (NC II)	1
Region III	Pampanga	300935	Sta. Maria NHS, Minalin	MINALIN	Dressmaking (NC II)	2
Region III	Pampanga	300883	Caduang Tete HS	MACABEBE	Food and Beverage Services (NC II)	2
Region III	Pampanga	300907	Porac Model Comm. HS (Resettlement School)	PORAC	Food and Beverage Services (NC II)	2
Region III	Pampanga	300910	Pulong Santol NHS - Annex 1	PORAC	Food and Beverage Services (NC II)	2
Region III	Pampanga	300874	Bahay Pare NHS	CANDABA	Food and Beverage Services (NC II)	2
Region III	Pampanga	300921	San Juan NHS, Mexico	MEXICO	Food and Beverage Services (NC II)	2
Region III	Pampanga	300882	Betis NHS	GUAGUA	Food and Beverage Services (NC II)	2
Region III	Pampanga	300909	Pulong Santol National High School	PORAC	Food and Beverage Services (NC II)	2
Region III	Pampanga	300925	San Pablo 2nd National High School	LUBAO	Food and Beverage Services (NC II)	2
Region III	Pampanga	300886	Del Carmen National High School	LUBAO	Food and Beverage Services (NC II)	2
Region III	Pampanga	300930	San Vicente-San Francisco NHS	MACABEBE	Food and Beverage Services (NC II)	2
Region III	Pampanga	300911	Eastern Porac National High School	PORAC	Food and Beverage Services (NC II)	2
Region III	Pampanga	300902	Natividad NHS	GUAGUA	Food and Beverage Services (NC II)	2
Region III	Pampanga	300905	Don Jesus Gonzales High School	MEXICO	Food and Beverage Services (NC II)	2
Region III	Pampanga	300877	Balucuc High School	APALIT	Food and Beverage Services (NC II)	2
Region III	Pampanga	300935	Sta. Maria NHS, Minalin	MINALIN	Food and Beverage Services (NC II)	2
Region III	Pampanga	300906	Pasig NHS	CANDABA	Food and Beverage Services (NC II)	2
Region III	Pampanga	300941	Telacsan NHS	MACABEBE	Food and Beverage Services (NC II)	2
Region III	Pampanga	306906	Tarik Suliman High School	MASANTOL	Food and Beverage Services (NC II)	2
Region III	Pampanga	300928	San Roque Dau NHS	LUBAO	Food and Beverage Services (NC II)	2
Region III	Pampanga	300924	San Matias NHS	SANTO TOMAS	Food and Beverage Services (NC II)	2
Region III	Pampanga	500026	Concepcion IS	SAN SIMON	Food and Beverage Services (NC II)	2
Region III	Pampanga	300934	Sta. Maria NHS, Macabebe	MACABEBE	Food and Beverage Services (NC II)	2
Region III	Pampanga	300872	Nicanor David Vergara HS (Anao NHS)	MEXICO	Food and Beverage Services (NC II)	1
Region III	Pampanga	306938	AYALA HIGH SCHOOL	MAGALANG	Food and Beverage Services (NC II)	1
Region III	Pampanga	306908	Diosdado Macapagal HS	MEXICO	Food and Beverage Services (NC II)	1
Region III	Pampanga	306936	Sucad National High School	APALIT	Food and Beverage Services (NC II)	1
Region III	Pampanga	306912	Sta. Cruz High Integrated School	LUBAO	Food and Beverage Services (NC II)	1
Region III	Pampanga	300943	Tinajero NHS - Sta. Lucia HS Annex	MAGALANG	Food and Beverage Services (NC II)	1
Region III	Pampanga	300875	Balitucan National High School	MAGALANG	Food and Beverage Services (NC II)	1
Region III	Pampanga	300880	Becuran National High School	SANTA RITA	Food and Beverage Services (NC II)	1
Region III	Pampanga	306915	Apalit HS	APALIT	Food and Beverage Services (NC II)	1
Region III	Pampanga	300892	Gutad NHS	FLORIDABLANCA	Food and Beverage Services (NC II)	1
Region III	Pampanga	300899	Mapaniqui NHS	CANDABA	Food and Beverage Services (NC II)	1
Region III	Pampanga	300881	San Basilio HS (Becuran NHS Annex)	SANTA RITA	Food and Beverage Services (NC II)	1
Region III	Pampanga	300926	San Pedro NHS	SAN SIMON	Food and Beverage Services (NC II)	1
Region III	Pampanga	300918	San Isidro NHS (San Luis)	SAN LUIS	Food and Beverage Services (NC II)	1
Region III	Pampanga	300933	Masantol HS (Sta. Lucia NHS, Masantol)	MASANTOL	Food and Beverage Services (NC II)	1
Region III	Pampanga	306911	AMBROCIO S.SIMPAO EDUCATIONAL AN	SANTA RITA	Food and Beverage Services (NC II)	1
Region III	Pampanga	300915	San Esteban NHS	MACABEBE	Food and Beverage Services (NC II)	1



DEPARTMENT OF EDUCATION
BUREAU OF LEARNING RESOURCES
FY 2018 TVL Tools and Equipment Allocation List

Lot No. 3 Mass Production

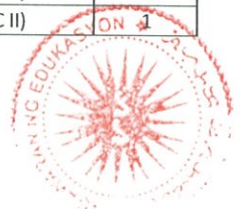
Region	Division	School_id	School_name	Municipality	Program/Specialization (EBEIS)	2018 No. of Packages
Region III	Pampanga	300879	Basa Air Base High School	FLORIDABLANCA	Food and Beverage Services (NC II)	1
Region III	Pampanga	300903	Pulungmasle NHS (Natividad NHS - Pulungmasle)	GUAGUA	Food and Beverage Services (NC II)	1
Region III	Pampanga	300914	Salapungan NHS - Annex Mandili	CANDABA	Horticulture (NC II)	2
Region III	Pampanga	300875	Balitungan National High School	MAGALANG	Horticulture (NC II)	2
Region III	Pampanga	300933	Masantol HS (Sta. Lucia NHS, Masantol)	MASANTOL	Horticulture (NC II)	1
Region III	Pampanga	300892	Gutad NHS	FLORIDABLANCA	Horticulture (NC II)	1
Region III	Pampanga	300874	Bahay Pare NHS	CANDABA	Housekeeping (NC II)	2
Region III	Pampanga	300921	San Juan NHS, Mexico	MEXICO	Housekeeping (NC II)	2
Region III	Pampanga	306901	San Vicente Pilot School for Philippine Cr	BACOLOR	Housekeeping (NC II)	2
Region III	Pampanga	300928	San Roque Dau NHS	LUBAO	Housekeeping (NC II)	2
Region III	Pampanga	300872	Nicanor David Vergara HS (Anao NHS)	MEXICO	Housekeeping (NC II)	1
Region III	Pampanga	306938	AYALA HIGH SCHOOL	MAGALANG	Housekeeping (NC II)	1
Region III	Pampanga	306936	Sucad National High School	APALIT	Housekeeping (NC II)	1
Region III	Pampanga	306915	Apalit HS	APALIT	Housekeeping (NC II)	1
Region III	Pampanga	300885	Cansinala NHS	APALIT	Housekeeping (NC II)	1
Region III	Pampanga	300906	Pasig NHS	CANDABA	Shielded Metal Arc Welding (NC I and NC II)	2
Region III	Pampanga	306918	San Simon High School	SAN SIMON	Shielded Metal Arc Welding (NC I and NC II)	2
Region III	Pampanga	300922	San Juan-San Luis NHS	SAN LUIS	Shielded Metal Arc Welding (NC I and NC II)	1
Region III	Pampanga	300912	Remedios NHS	LUBAO	Shielded Metal Arc Welding (NC I and NC II)	1
Region III	Pampanga	306901	San Vicente Pilot School for Philippine Cr	BACOLOR	Shielded Metal Arc Welding (NC I)	1
Region III	Pampanga	300938	Sto. Tomas NHS, Sto. Tomas	SANTO TOMAS	Shielded Metal Arc Welding (NC I)	1
Region III	Pampanga	300924	San Matias NHS	SANTO TOMAS	Tailoring (NC II)	2
Region III	Pampanga	345530	SHS in Apalit, Pampanga	APALIT	Tailoring (NC II)	1
Region III	Pampanga	300907	Porac Model Comm. HS (Resettlement S	PORAC	Tailoring (NC II)	1
Region III	Pampanga	300923	San Juan-San Luis National High School A	SAN LUIS	Tailoring (NC II)	1
Region III	San Jose City	300800	San Jose City National High School (form	SAN JOSE CITY	Cookery (NC II)	2
Region III	San Jose City	300800	San Jose City National High School (form	SAN JOSE CITY	Food and Beverage Services (NC II)	2
Region III	San Jose del Mon	301061	San Jose del Monte Nat'l. Trade School	CITY OF SAN JOSE DEL MONT	Cookery (NC II)	2
Region III	San Jose del Mon	307508	Citrus National HS	CITY OF SAN JOSE DEL MONT	Cookery (NC II)	1
Region III	San Jose del Mon	301061	San Jose del Monte Nat'l. Trade School	CITY OF SAN JOSE DEL MONT	Food and Beverage Services (NC II)	2
Region III	San Jose del Mon	301060	San Jose del Monte National HS	CITY OF SAN JOSE DEL MONT	Food and Beverage Services (NC II)	2
Region III	San Jose del Mon	307503	Towerville HS	CITY OF SAN JOSE DEL MONT	Food and Beverage Services (NC II)	2
Region III	San Jose del Mon	301061	San Jose del Monte Nat'l. Trade School	CITY OF SAN JOSE DEL MONT	Housekeeping (NC II)	2
Region III	San Jose del Mon	301061	San Jose del Monte Nat'l. Trade School	CITY OF SAN JOSE DEL MONT	Shielded Metal Arc Welding (NC I and NC II)	2
Region III	Tarlac	300985	San Felipe HS	SAN MANUEL	Agricultural Crops Production (NC I)	1
Region III	Tarlac	301000	Victoria National High School	VICTORIA	Agricultural Crops Production (NC I)	1
Region III	Tarlac	307001	Moriones High School	SAN JOSE	Agricultural Crops Production (NC I)	1
Region III	Tarlac	300996	Tarlac National High School	CITY OF TARLAC (Capital)	Cookery (NC II)	2
Region III	Tarlac	301000	Victoria National High School	VICTORIA	Cookery (NC II)	2
Region III	Tarlac	300962	Dapdap HS	BAMBAN	Cookery (NC II)	2
Region III	Tarlac	307007	Corazon C. Aquino High School	GERONA	Cookery (NC II)	2
Region III	Tarlac	300977	O'Donnell High School	CAPAS	Cookery (NC II)	2
Region III	Tarlac	300961	Comillas High School	LA PAZ	Cookery (NC II)	2
Region III	Tarlac	300994	Capas High School	CAPAS	Cookery (NC II)	2
Region III	Tarlac	300997	Tarlac National High School - Annex	CITY OF TARLAC (Capital)	Cookery (NC II)	2
Region III	Tarlac	300978	Padapada NHS	SANTA IGNACIA	Cookery (NC II)	1
Region III	Tarlac	300950	Bamban NHS	SAN CLEMENTE	Cookery (NC II)	1
Region III	Tarlac	300952	Bilad High School	CAMILING	Cookery (NC II)	1
Region III	Tarlac	300998	Eduardo Cojuangco National Vocational	PANQUI	Cookery (NC II)	1
Region III	Tarlac	300964	Estipona NHS	PURA	Cookery (NC II)	1
Region III	Tarlac	300967	La Paz NHS	LA PAZ	Cookery (NC II)	1
Region III	Tarlac	300949	Anastacio G. Yumul High School	CONCEPCION	Cookery (NC II)	1



DEPARTMENT OF EDUCATION
BUREAU OF LEARNING RESOURCES
FY 2018 TVL Tools and Equipment Allocation List

Lot No. 3 Mass Production

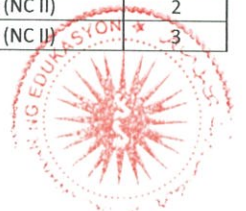
Region	Division	School_id	School_name	Municipality	Program/Specialization (EBEIS)	2018 No. of Packages
Region III	Tarlac	300951	Benigno S. Aquino National High School	CONCEPCION	Dressmaking (NC II)	1
Region III	Tarlac	300996	Tarlac National High School	CITY OF TARLAC (Capital)	Food and Beverage Services (NC II)	2
Region III	Tarlac	301000	Victoria National High School	VICTORIA	Food and Beverage Services (NC II)	2
Region III	Tarlac	300962	Dapdap HS	BAMBAN	Food and Beverage Services (NC II)	2
Region III	Tarlac	300990	San Roque NHS	BAMBAN	Food and Beverage Services (NC II)	2
Region III	Tarlac	300957	Caluluan HS	CONCEPCION	Food and Beverage Services (NC II)	2
Region III	Tarlac	307007	Corazon C. Aquino High School	GERONA	Food and Beverage Services (NC II)	2
Region III	Tarlac	300977	O'Donnell High School	CAPAS	Food and Beverage Services (NC II)	2
Region III	Tarlac	300961	Comillas High School	LA PAZ	Food and Beverage Services (NC II)	2
Region III	Tarlac	300994	Capas High School	CAPAS	Food and Beverage Services (NC II)	2
Region III	Tarlac	300949	Anastacio G. Yumul High School	CONCEPCION	Food and Beverage Services (NC II)	2
Region III	Tarlac	300997	Tarlac National High School - Annex	CITY OF TARLAC (Capital)	Food and Beverage Services (NC II)	2
Region III	Tarlac	300978	Padapada NHS	SANTA IGNACIA	Food and Beverage Services (NC II)	1
Region III	Tarlac	300950	Bamban NHS	SAN CLEMENTE	Food and Beverage Services (NC II)	1
Region III	Tarlac	300951	Benigno S. Aquino National High School	CONCEPCION	Food and Beverage Services (NC II)	1
Region III	Tarlac	300952	Bilad High School	CAMILING	Food and Beverage Services (NC II)	1
Region III	Tarlac	300998	Eduardo Cojuangco National Vocational	PANIQUE	Food and Beverage Services (NC II)	1
Region III	Tarlac	300964	Estipona NHS	PURA	Food and Beverage Services (NC II)	1
Region III	Tarlac	307008	Carabaoan-Caocaoayan High School	MAYANTOC	Horticulture (NC II)	1
Region III	Tarlac	300992	Sta. Ines NHS	SANTA IGNACIA	Horticulture (NC II)	1
Region III	Tarlac	300946	Anao NHS	ANAO	Horticulture (NC II)	1
Region III	Tarlac	307017	Caluluan High School Annex	CONCEPCION	Horticulture (NC II)	1
Region III	Tarlac	300949	Anastacio G. Yumul High School	CONCEPCION	Horticulture (NC II)	1
Region III	Tarlac	300996	Tarlac National High School	CITY OF TARLAC (Capital)	Housekeeping (NC II)	2
Region III	Tarlac	300985	San Felipe HS	SAN MANUEL	Organic Agriculture (NC II)	1
Region III	Tarlac	307001	Moriones High School	SAN JOSE	Organic Agriculture (NC II)	1
Region III	Tarlac	300951	Benigno S. Aquino National High School	CONCEPCION	Shielded Metal Arc Welding (NC I and NC II)	2
Region III	Tarlac	300997	Tarlac National High School - Annex	CITY OF TARLAC (Capital)	Shielded Metal Arc Welding (NC I and NC II)	2
Region III	Tarlac	307011	Moncada National High School	MONCADA	Shielded Metal Arc Welding (NC I and NC II)	1
Region III	Tarlac	300998	Eduardo Cojuangco National Vocational	PANIQUE	Shielded Metal Arc Welding (NC I and NC II)	1
Region III	Tarlac	300969	Mababanaba High School	SAN JOSE	Shielded Metal Arc Welding (NC I)	1
Region III	Tarlac	300951	Benigno S. Aquino National High School	CONCEPCION	Tailoring (NC II)	1
Region III	Tarlac	300996	Tarlac National High School	CITY OF TARLAC (Capital)	Travel Services (NC II)	2
Region III	Zambales	301028	Locloc National High School	PALAUIG	Agricultural Crops Production (NC I)	1
Region III	Zambales	301036	Subic National High School	SUBIC	Cookery (NC II)	2
Region III	Zambales	301015	Castillejos National High School	CASTILLEJOS	Cookery (NC II)	2
Region III	Zambales	301033	Sta. Cruz National High School	SANTA CRUZ	Cookery (NC II)	1
Region III	Zambales	307107	San Antonio National High School	SAN ANTONIO	Cookery (NC II)	1
Region III	Zambales	301028	Locloc National High School	PALAUIG	Cookery (NC II)	1
Region III	Zambales	301027	Rofulo M. Landa HS (Salaza NHS)	PALAUIG	Cookery (NC II)	1
Region III	Zambales	301034	Sta. Cruz National High School - Lipay HS	SANTA CRUZ	Cookery (NC II)	1
Region III	Zambales	301011	Candelaria School of Fisheries	CANDELARIA	Cookery (NC II)	1
Region III	Zambales	301025	Botolan National High School	BOTOLAN	Cookery (NC II)	1
Region III	Zambales	301006	Taltal National High School	MASINLOC	Dressmaking (NC II)	1
Region III	Zambales	301036	Subic National High School	SUBIC	Food and Beverage Services (NC II)	2
Region III	Zambales	301010	Cabangan National High School	CABANGAN	Food and Beverage Services (NC II)	2
Region III	Zambales	301037	Zambales National High School	IBA (Capital)	Food and Beverage Services (NC II)	2
Region III	Zambales	500127	Pamibian Integrated School	CANDELARIA	Food and Beverage Services (NC II)	2
Region III	Zambales	301015	Castillejos National High School	CASTILLEJOS	Food and Beverage Services (NC II)	2
Region III	Zambales	301029	San Guillermo National High School	SAN MARCELINO	Food and Beverage Services (NC II)	1
Region III	Zambales	301033	Sta. Cruz National High School	SANTA CRUZ	Food and Beverage Services (NC II)	1
Region III	Zambales	307103	San Salvador High School	MASINLOC	Food and Beverage Services (NC II)	1



DEPARTMENT OF EDUCATION
BUREAU OF LEARNING RESOURCES
FY 2018 TVL Tools and Equipment Allocation List

Lot No. 3 Mass Production

Region	Division	School_id	School_name	Municipality	Program/Specialization (EBEIS)	2018 No. of Packages
Region III	Zambales	307107	San Antonio National High School	SAN ANTONIO	Food and Beverage Services (NC II)	1
Region III	Zambales	301006	Taltal National High School	MASINLOC	Food and Beverage Services (NC II)	1
Region III	Zambales	307106	Jesus F. Magsaysay Technical Vocational	CASTILLEJOS	Food and Beverage Services (NC II)	1
Region III	Zambales	301025	Botolan National High School	BOTOLAN	Food and Beverage Services (NC II)	1
Region III	Zambales	301028	Locloc National High School	PALAUIG	Food and Beverage Services (NC II)	1
Region III	Zambales	307112	Nagyantok HS	SUBIC	Food and Beverage Services (NC II)	1
Region III	Zambales	301027	Rofulo M. Landa HS (Salaza NHS)	PALAUIG	Food and Beverage Services (NC II)	1
Region III	Zambales	301034	Sta. Cruz National High School - Lipay HS	SANTA CRUZ	Food and Beverage Services (NC II)	1
Region III	Zambales	301014	Guisguis National High School	SANTA CRUZ	Horticulture (NC II)	1
Region III	Zambales	301032	San Miguel National High School	SAN ANTONIO	Horticulture (NC II)	1
Region III	Zambales	301006	Taltal National High School	MASINLOC	Horticulture (NC II)	1
Region III	Zambales	500127	Pamibian Integrated School	CANDELARIA	Housekeeping (NC II)	2
Region III	Zambales	301004	Amungan National High School	IBA (Capital)	Housekeeping (NC II)	2
Region III	Zambales	301029	San Guillermo National High School	SAN MARCELINO	Housekeeping (NC II)	1
Region III	Zambales	301010	Cabangan National High School	CABANGAN	Organic Agriculture (NC II)	2
Region III	Zambales	301028	Locloc National High School	PALAUIG	Organic Agriculture (NC II)	1
Region III	Zambales	301025	Botolan National High School	BOTOLAN	Shielded Metal Arc Welding (NC I and NC II)	1
Region III	Zambales	301034	Sta. Cruz National High School - Lipay HS	SANTA CRUZ	Shielded Metal Arc Welding (NC I and NC II)	1
Region III	Zambales	307106	Jesus F. Magsaysay Technical Vocational	CASTILLEJOS	Shielded Metal Arc Welding (NC I and NC II)	1
Region III	Zambales	301036	Subic National High School	SUBIC	Shielded Metal Arc Welding (NC I)	2
Region III	Zambales	307103	San Salvador High School	MASINLOC	Shielded Metal Arc Welding (NC I)	1
Region III	Zambales	307104	San Rafael Technical Vocational High School	SAN FELIPE	Shielded Metal Arc Welding (NC I)	1
Region IV-A	Antipolo City	301450	Maximo L. Gatlabayan Memorial NHS	CITY OF ANTIPOLO	Cookery (NC II)	2
Region IV-A	Antipolo City	301422	Mayamot NHS	CITY OF ANTIPOLO	Cookery (NC II)	2
Region IV-A	Antipolo City	301426	San Isidro NHS	CITY OF ANTIPOLO	Cookery (NC II)	2
Region IV-A	Antipolo City	321506	Dalig NHS	CITY OF ANTIPOLO	Cookery (NC II)	2
Region IV-A	Antipolo City	301427	San Juan NHS	CITY OF ANTIPOLO	Cookery (NC II)	2
Region IV-A	Antipolo City	301457	San Jose NHS	CITY OF ANTIPOLO	Cookery (NC II)	2
Region IV-A	Antipolo City	308101	Old Boso-boso NHS	CITY OF ANTIPOLO	Cookery (NC II)	1
Region IV-A	Antipolo City	301425	San Roque NHS	CITY OF ANTIPOLO	Cookery (NC II)	1
Region IV-A	Antipolo City	321501	Marcelino M. Santos NHS	CITY OF ANTIPOLO	Cookery (NC II)	1
Region IV-A	Antipolo City	301421	Kaysakat NHS	CITY OF ANTIPOLO	Cookery (NC II)	1
Region IV-A	Antipolo City	301450	Maximo L. Gatlabayan Memorial NHS	CITY OF ANTIPOLO	Food and Beverage Services (NC II)	2
Region IV-A	Antipolo City	301422	Mayamot NHS	CITY OF ANTIPOLO	Food and Beverage Services (NC II)	2
Region IV-A	Antipolo City	301426	San Isidro NHS	CITY OF ANTIPOLO	Food and Beverage Services (NC II)	2
Region IV-A	Antipolo City	321506	Dalig NHS	CITY OF ANTIPOLO	Food and Beverage Services (NC II)	2
Region IV-A	Antipolo City	301427	San Juan NHS	CITY OF ANTIPOLO	Food and Beverage Services (NC II)	2
Region IV-A	Antipolo City	301457	San Jose NHS	CITY OF ANTIPOLO	Food and Beverage Services (NC II)	2
Region IV-A	Antipolo City	308101	Old Boso-boso NHS	CITY OF ANTIPOLO	Food and Beverage Services (NC II)	1
Region IV-A	Antipolo City	301425	San Roque NHS	CITY OF ANTIPOLO	Food and Beverage Services (NC II)	1
Region IV-A	Antipolo City	321501	Marcelino M. Santos NHS	CITY OF ANTIPOLO	Food and Beverage Services (NC II)	1
Region IV-A	Antipolo City	301421	Kaysakat NHS	CITY OF ANTIPOLO	Food and Beverage Services (NC II)	1
Region IV-A	Antipolo City	301421	Kaysakat NHS	CITY OF ANTIPOLO	Horticulture (NC II)	1
Region IV-A	Bacoor City	342600	SHS in San Nicholas III, Bacoor City	BACOR	Cookery (NC II)	3
Region IV-A	Bacoor City	342600	SHS in San Nicholas III, Bacoor City	BACOR	Food and Beverage Services (NC II)	2
Region IV-A	Bacoor City	342601	SHS within Sinenguelasan Elementary School	BACOR	Food and Beverage Services (NC II)	2
Region IV-A	Bacoor City	342601	SHS within Sinenguelasan Elementary School	BACOR	Housekeeping (NC II)	2
Region IV-A	Batangas	301129	Padre Garcia NHS	PADRE GARCIA	Agricultural Crops Production (NC I)	1
Region IV-A	Batangas	342198	SHS within Nasugbu East Central School	NASUGBU	Cookery (NC II)	2
Region IV-A	Batangas	301130	Palahanan NHS	SAN JUAN	Cookery (NC II)	2
Region IV-A	Batangas	342211	SHS in Calatagan	CALATAGAN	Food and Beverage Services (NC II)	2
Region IV-A	Batangas	342196	SHS within Pantalan Elementary School	NASUGBU	Food and Beverage Services (NC II)	3



DEPARTMENT OF EDUCATION
BUREAU OF LEARNING RESOURCES
FY 2018 TVL Tools and Equipment Allocation List

Lot No. 3 Mass Production

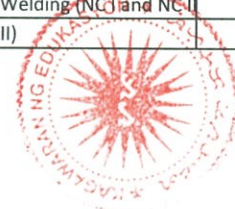
Region	Division	School_id	School_name	Municipality	Program/Specialization (EBEIS)	2018 No. of Packages
Region IV-A	Batangas	342195	SHS within Taal Central School	TAAL	Food and Beverage Services (NC II)	2
Region IV-A	Batangas	301129	Padre Garcia NHS	PADRE GARCIA	Food and Beverage Services (NC II)	2
Region IV-A	Batangas	342218	SHS within Venancio Trinidad Sr. Memor	TALISAY	Food and Beverage Services (NC II)	2
Region IV-A	Batangas	342212	SHS in Lobo	LOBO	Food and Beverage Services (NC II)	2
Region IV-A	Batangas	301082	Baybayin NHS	ROSARIO	Food and Beverage Services (NC II)	2
Region IV-A	Batangas	342205	SHS in Calaca	CALACA	Food and Beverage Services (NC II)	2
Region IV-A	Batangas	342202	SHS within Cuenca Central School	CUENCA	Food and Beverage Services (NC II)	2
Region IV-A	Batangas	301102	Gov. Feliciano Leviste MNHS	LEMERY	Food and Beverage Services (NC II)	2
Region IV-A	Batangas	301139	Rosario NHS	ROSARIO	Food and Beverage Services (NC II)	2
Region IV-A	Batangas	301130	Palahanan NHS	SAN JUAN	Food and Beverage Services (NC II)	2
Region IV-A	Batangas	342203	SHS within Bayorbor Elementary School	MATAASNAKAHOY	Food and Beverage Services (NC II)	2
Region IV-A	Batangas	342207	SHS in Tuy	TUY	Food and Beverage Services (NC II)	2
Region IV-A	Batangas	361016	SHS within San Juan East CS	SAN JUAN	Food and Beverage Services (NC II)	2
Region IV-A	Batangas	342198	SHS within Nasugbu East Central School	NASUGBU	Food and Beverage Services (NC II)	1
Region IV-A	Batangas	301105	Itluga National High School	ROSARIO	Food and Beverage Services (NC II)	1
Region IV-A	Batangas	342214	SHS within San Antonio Elementary Scho	SAN PASCUAL	Food and Beverage Services (NC II)	1
Region IV-A	Batangas	301115	Anselmo Sandoval MNHS (Mabini NHS)	MABINI	Food and Beverage Services (NC II)	1
Region IV-A	Batangas	301098	Dagatan National High School	TAYSAN	Food and Beverage Services (NC II)	1
Region IV-A	Batangas	307713	San Nicolas National High School	SAN NICOLAS	Food and Beverage Services (NC II)	1
Region IV-A	Batangas	342197	SHS within Tala Elementary School	NASUGBU	Food and Beverage Services (NC II)	1
Region IV-A	Batangas	301102	Gov. Feliciano Leviste MNHS	LEMERY	Gas Metal Arc Welding- GMAW (NC II)	2
Region IV-A	Batangas	301098	Dagatan National High School	TAYSAN	Gas Metal Arc Welding- GMAW (NC II)	1
Region IV-A	Batangas	301108	Laiya NHS	SAN JUAN	Housekeeping (NC II)	4
Region IV-A	Batangas	342211	SHS in Calatagan	CALATAGAN	Housekeeping (NC II)	4
Region IV-A	Batangas	301090	Buhaynasapa NHS	SAN JUAN	Housekeeping (NC II)	2
Region IV-A	Batangas	342203	SHS within Bayorbor Elementary School	MATAASNAKAHOY	Housekeeping (NC II)	2
Region IV-A	Batangas	342217	SHS in Malvar	MALVAR	Housekeeping (NC II)	2
Region IV-A	Batangas	342221	SHS in Taysan	TAYSAN	Housekeeping (NC II)	2
Region IV-A	Batangas	342212	SHS in Lobo	LOBO	Housekeeping (NC II)	1
Region IV-A	Batangas	301130	Palahanan NHS	SAN JUAN	Housekeeping (NC II)	1
Region IV-A	Batangas	342219	SHS in Sto. Tomas	SANTO TOMAS	Housekeeping (NC II)	1
Region IV-A	Batangas	307713	San Nicolas National High School	SAN NICOLAS	Housekeeping (NC II)	1
Region IV-A	Batangas	301129	Padre Garcia NHS	PADRE GARCIA	Organic Agriculture (NC II)	1
Region IV-A	Batangas	301102	Gov. Feliciano Leviste MNHS	LEMERY	Shielded Metal Arc Welding (NC I and NC II)	3
Region IV-A	Batangas	342205	SHS in Calaca	CALACA	Shielded Metal Arc Welding (NC I and NC II)	2
Region IV-A	Batangas	301115	Anselmo Sandoval MNHS (Mabini NHS)	MABINI	Shielded Metal Arc Welding (NC I and NC II)	2
Region IV-A	Batangas	342221	SHS in Taysan	TAYSAN	Shielded Metal Arc Welding (NC I and NC II)	2
Region IV-A	Batangas	301098	Dagatan National High School	TAYSAN	Shielded Metal Arc Welding (NC I and NC II)	2
Region IV-A	Batangas	342212	SHS in Lobo	LOBO	Travel Services (NC II)	1
Region IV-A	Batangas City	342234	Gulod Senior High School	BATANGAS CITY (Capital)	Cookery (NC II)	1
Region IV-A	Batangas City	342234	Gulod Senior High School	BATANGAS CITY (Capital)	Food and Beverage Services (NC II)	1
Region IV-A	Batangas City	342234	Gulod Senior High School	BATANGAS CITY (Capital)	Shielded Metal Arc Welding (NC I and NC II)	2
Region IV-A	Batangas City	301481	Tabangao Senior High School	BATANGAS CITY (Capital)	Shielded Metal Arc Welding (NC I and NC II)	2
Region IV-A	Binan City	342242	Biñan City Senior High School-San Anton	CITY OF BIÑAN	Food and Beverage Services (NC II)	2
Region IV-A	Binan City	342240	Stand Alone 2 (AFP-PNP)	CITY OF BIÑAN	Food and Beverage Services (NC II)	1
Region IV-A	Binan City	342242	Biñan City Senior High School-San Anton	CITY OF BIÑAN	Housekeeping (NC II)	2
Region IV-A	Binan City	342240	Stand Alone 2 (AFP-PNP)	CITY OF BIÑAN	Housekeeping (NC II)	1
Region IV-A	Binan City	342242	Biñan City Senior High School-San Anton	CITY OF BIÑAN	Shielded Metal Arc Welding (NC I and NC II)	2
Region IV-A	Binan City	342240	Stand Alone 2 (AFP-PNP)	CITY OF BIÑAN	Shielded Metal Arc Welding (NC I and NC II)	1
Region IV-A	Binan City	342240	Stand Alone 2 (AFP-PNP)	CITY OF BIÑAN	Travel Services (NC II)	1
Region IV-A	Calamba City	301516	Camp Vicente Lim Integrated School	CITY OF CALAMBA	Cookery (NC II)	2
Region IV-A	Calamba City	301521	Kapayapaan Integrated School	CITY OF CALAMBA	Cookery (NC II)	1



DEPARTMENT OF EDUCATION
BUREAU OF LEARNING RESOURCES
FY 2018 TVL Tools and Equipment Allocation List

Lot No. 3 Mass Production

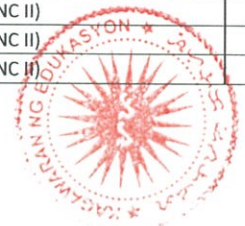
Region	Division	School_id	School_name	Municipality	Program/Specialization (EBEIS)	2018 No. of Packages
Region IV-A	Calamba City	301515	Calamba National Integrated School	CITY OF CALAMBA	Cookery (NC II)	1
Region IV-A	Calamba City	301514	Calamba Bayside Integrated School	CITY OF CALAMBA	Cookery (NC II)	1
Region IV-A	Calamba City	301516	Camp Vicente Lim Integrated School	CITY OF CALAMBA	Food and Beverage Services (NC II)	2
Region IV-A	Calamba City	301521	Kapayapaan Integrated School	CITY OF CALAMBA	Food and Beverage Services (NC II)	1
Region IV-A	Calamba City	301515	Calamba National Integrated School	CITY OF CALAMBA	Food and Beverage Services (NC II)	1
Region IV-A	Calamba City	301514	Calamba Bayside Integrated School	CITY OF CALAMBA	Food and Beverage Services (NC II)	1
Region IV-A	Calamba City	301516	Camp Vicente Lim Integrated School	CITY OF CALAMBA	Shielded Metal Arc Welding (NC I and NC II)	1
Region IV-A	Calamba City	301521	Kapayapaan Integrated School	CITY OF CALAMBA	Shielded Metal Arc Welding (NC I and NC II)	1
Region IV-A	Cavite	301192	Gen. Mariano Alvarez Tech. HS	GEN. MARIANO ALVAREZ	Cookery (NC II)	2
Region IV-A	Cavite	301219	Tanza National Trade School	TANZA	Cookery (NC II)	3
Region IV-A	Cavite	342285	Luis Y. Ferrer Jr. Senior High School	CITY OF GENERAL TRIAS	Cookery (NC II)	3
Region IV-A	Cavite	301189	Emiliano T. Tirona MNHS	KAWIT	Cookery (NC II)	2
Region IV-A	Cavite	301180	Bulihan NHS	SILANG	Cookery (NC II)	2
Region IV-A	Cavite	301207	Naic NHS	NAIC	Cookery (NC II)	2
Region IV-A	Cavite	342284	SHS in Carmona	CARMONA	Cookery (NC II)	2
Region IV-A	Cavite	301201	Lumampong NHS - Indang Annex	INDANG	Cookery (NC II)	2
Region IV-A	Cavite	301167	Amaya Sch. of Home Industries	TANZA	Cookery (NC II)	2
Region IV-A	Cavite	301216	Tagaytay City National High School	TAGAYTAY CITY	Cookery (NC II)	2
Region IV-A	Cavite	342292	Trece Martires City Senior High School	TRECE MARTIRES CITY (Capital)	Cookery (NC II)	2
Region IV-A	Cavite	301199	Lucsuhin National High School	ALFONSO	Cookery (NC II)	1
Region IV-A	Cavite	301198	Kaytitinga NHS	ALFONSO	Cookery (NC II)	1
Region IV-A	Cavite	301202	Lumil NHS	SILANG	Cookery (NC II)	1
Region IV-A	Cavite	301175	Bucal NHS	MARAGONDON	Cookery (NC II)	1
Region IV-A	Cavite	301192	Gen. Mariano Alvarez Tech. HS	GEN. MARIANO ALVAREZ	Food and Beverage Services (NC II)	2
Region IV-A	Cavite	301219	Tanza National Trade School	TANZA	Food and Beverage Services (NC II)	2
Region IV-A	Cavite	342285	Luis Y. Ferrer Jr. Senior High School	CITY OF GENERAL TRIAS	Food and Beverage Services (NC II)	3
Region IV-A	Cavite	301189	Emiliano T. Tirona MNHS	KAWIT	Food and Beverage Services (NC II)	2
Region IV-A	Cavite	301180	Bulihan NHS	SILANG	Food and Beverage Services (NC II)	2
Region IV-A	Cavite	301207	Naic NHS	NAIC	Food and Beverage Services (NC II)	2
Region IV-A	Cavite	301166	Amadeo National High School	AMADEO	Food and Beverage Services (NC II)	2
Region IV-A	Cavite	301221	Ternate NHS	TERNATE	Food and Beverage Services (NC II)	2
Region IV-A	Cavite	342284	SHS in Carmona	CARMONA	Food and Beverage Services (NC II)	2
Region IV-A	Cavite	301167	Amaya Sch. of Home Industries	TANZA	Food and Beverage Services (NC II)	2
Region IV-A	Cavite	301216	Tagaytay City National High School	TAGAYTAY CITY	Food and Beverage Services (NC II)	2
Region IV-A	Cavite	301193	Gen. Vito Belarmino NHS	SILANG	Food and Beverage Services (NC II)	2
Region IV-A	Cavite	342292	Trece Martires City Senior High School	TRECE MARTIRES CITY (Capital)	Food and Beverage Services (NC II)	2
Region IV-A	Cavite	301199	Lucsuhin National High School	ALFONSO	Food and Beverage Services (NC II)	1
Region IV-A	Cavite	301213	San Jose Community HS	GEN. MARIANO ALVAREZ	Food and Beverage Services (NC II)	1
Region IV-A	Cavite	301198	Kaytitinga NHS	ALFONSO	Food and Beverage Services (NC II)	1
Region IV-A	Cavite	301202	Lumil NHS	SILANG	Food and Beverage Services (NC II)	1
Region IV-A	Cavite	301201	Lumampong NHS - Indang Annex	INDANG	Horticulture (NC II)	1
Region IV-A	Cavite	301205	Munting Ilog NHS	SILANG	Horticulture (NC II)	1
Region IV-A	Cavite	301207	Naic NHS	NAIC	Horticulture (NC II)	1
Region IV-A	Cavite	301189	Emiliano T. Tirona MNHS	KAWIT	Housekeeping (NC II)	2
Region IV-A	Cavite	301221	Ternate NHS	TERNATE	Housekeeping (NC II)	2
Region IV-A	Cavite	342285	Luis Y. Ferrer Jr. Senior High School	CITY OF GENERAL TRIAS	Shielded Metal Arc Welding (NC I and NC II)	2
Region IV-A	Cavite	301219	Tanza National Trade School	TANZA	Shielded Metal Arc Welding (NC I and NC II)	2
Region IV-A	Cavite	301180	Bulihan NHS	SILANG	Shielded Metal Arc Welding (NC I and NC II)	2
Region IV-A	Cavite	342284	SHS in Carmona	CARMONA	Shielded Metal Arc Welding (NC I and NC II)	2
Region IV-A	Cavite	301167	Amaya Sch. of Home Industries	TANZA	Shielded Metal Arc Welding (NC I and NC II)	2
Region IV-A	Cavite	301192	Gen. Mariano Alvarez Tech. HS	GEN. MARIANO ALVAREZ	Shielded Metal Arc Welding (NC I and NC II)	1
Region IV-A	Cavite	301189	Emiliano T. Tirona MNHS	KAWIT	Travel Services (NC II)	2



DEPARTMENT OF EDUCATION
BUREAU OF LEARNING RESOURCES
FY 2018 TVL Tools and Equipment Allocation List

Lot No. 3 Mass Production

Region	Division	School_id	School_name	Municipality	Program/Specialization (EBEIS)	2018 No. of Packages
Region IV-A	Cavite City	301484	Cavite National High School	CAVITE CITY	Cookery (NC II)	2
Region IV-A	Cavite City	301484	Cavite National High School	CAVITE CITY	Food and Beverage Services (NC II)	2
Region IV-A	Cavite City	301485	Sangley Point NHS	CAVITE CITY	Shielded Metal Arc Welding (NC I and NC II)	1
Region IV-A	Dasmariñas City	342298	Paliparan III SHS	CITY OF DASMARIÑAS	Cookery (NC II)	3
Region IV-A	Dasmariñas City	301179	Congressional NHS	CITY OF DASMARIÑAS	Cookery (NC II)	2
Region IV-A	Dasmariñas City	342298	Paliparan III SHS	CITY OF DASMARIÑAS	Food and Beverage Services (NC II)	3
Region IV-A	Dasmariñas City	301186	Dasmariñas NHS	CITY OF DASMARIÑAS	Food and Beverage Services (NC II)	2
Region IV-A	Dasmariñas City	301179	Congressional NHS	CITY OF DASMARIÑAS	Food and Beverage Services (NC II)	2
Region IV-A	Dasmariñas City	301186	Dasmariñas NHS	CITY OF DASMARIÑAS	Housekeeping (NC II)	1
Region IV-A	Dasmariñas City	301186	Dasmariñas NHS	CITY OF DASMARIÑAS	Shielded Metal Arc Welding (NC I and NC II)	2
Region IV-A	Imus City	342587	GOV. JUANITO REYES REMULLA SHS (SHS in Anal	IMUS	Housekeeping (NC II)	1
Region IV-A	Imus City	342587	GOV. JUANITO REYES REMULLA SHS (SHS in Anal	IMUS	Shielded Metal Arc Welding (NC I and NC II)	2
Region IV-A	Imus City	342590	GEN. JUAN CASTAÑEDA SHS (SHS in Anal	IMUS	Shielded Metal Arc Welding (NC I and NC II)	1
Region IV-A	Laguna	307907	San Pedro Relocation Center National High School	SAN PEDRO	Cookery (NC II)	2
Region IV-A	Laguna	301269	Sta. Maria NHS	SANTA MARIA	Cookery (NC II)	2
Region IV-A	Laguna	301268	Sta. Catalina NHS	MAJAYJAY	Cookery (NC II)	2
Region IV-A	Laguna	301234	Cabuyao NHS	CABUYAO	Cookery (NC II)	2
Region IV-A	Laguna	307923	Southville I NHS	CABUYAO	Cookery (NC II)	2
Region IV-A	Laguna	301226	Balian NHS	PANGIL	Cookery (NC II)	2
Region IV-A	Laguna	342354	Stand Alone SHS No. 12 Pulo	CABUYAO	Cookery (NC II)	2
Region IV-A	Laguna	342359	Stand Alone SHS No. 17 Calauan	CALAUAN	Cookery (NC II)	2
Region IV-A	Laguna	301250	Masapang NHS	VICTORIA	Cookery (NC II)	1
Region IV-A	Laguna	342358	Stand Alone SHS No. 16 Pila	PILA	Cookery (NC II)	1
Region IV-A	Laguna	307937	Magdalena NHS (Buenavista Annex)	MAGDALENA	Cookery (NC II)	1
Region IV-A	Laguna	301278	Upland Integrated National High School	NAGCARLAN	Cookery (NC II)	1
Region IV-A	Laguna	307907	San Pedro Relocation Center National High School	SAN PEDRO	Dressmaking (NC II)	1
Region IV-A	Laguna	307907	San Pedro Relocation Center National High School	SAN PEDRO	Food and Beverage Services (NC II)	2
Region IV-A	Laguna	301258	Plaridel NHS	NAGCARLAN	Food and Beverage Services (NC II)	2
Region IV-A	Laguna	301269	Sta. Maria NHS	SANTA MARIA	Food and Beverage Services (NC II)	2
Region IV-A	Laguna	301268	Sta. Catalina NHS	MAJAYJAY	Food and Beverage Services (NC II)	2
Region IV-A	Laguna	342351	Stand Alone SHS No. 9 Lalakay	LOS BAÑOS	Food and Beverage Services (NC II)	2
Region IV-A	Laguna	301234	Cabuyao NHS	CABUYAO	Food and Beverage Services (NC II)	2
Region IV-A	Laguna	307923	Southville I NHS	CABUYAO	Food and Beverage Services (NC II)	2
Region IV-A	Laguna	301240	Famy National High School	FAMY	Food and Beverage Services (NC II)	2
Region IV-A	Laguna	307903	Cristobal S. Conducto Memorial National High School	RIZAL	Food and Beverage Services (NC II)	2
Region IV-A	Laguna	342362	Stand Alone SHS No. 20 Santa Cruz	SANTA CRUZ (Capital)	Food and Beverage Services (NC II)	2
Region IV-A	Laguna	301226	Balian NHS	PANGIL	Food and Beverage Services (NC II)	2
Region IV-A	Laguna	342354	Stand Alone SHS No. 12 Pulo	CABUYAO	Food and Beverage Services (NC II)	2
Region IV-A	Laguna	301265	Alaminos National High School	ALAMINOS	Food and Beverage Services (NC II)	2
Region IV-A	Laguna	342359	Stand Alone SHS No. 17 Calauan	CALAUAN	Food and Beverage Services (NC II)	2
Region IV-A	Laguna	301250	Masapang NHS	VICTORIA	Food and Beverage Services (NC II)	1
Region IV-A	Laguna	342358	Stand Alone SHS No. 16 Pila	PILA	Food and Beverage Services (NC II)	1
Region IV-A	Laguna	301271	Santa Maria NHS - J. Santiago Annex	SANTA MARIA	Food and Beverage Services (NC II)	1
Region IV-A	Laguna	307937	Magdalena NHS (Buenavista Annex)	MAGDALENA	Food and Beverage Services (NC II)	1
Region IV-A	Laguna	307914	San Pedro Relocation CNHS - Landayan A	SAN PEDRO	Food and Beverage Services (NC II)	1
Region IV-A	Laguna	342347	Stand Alone SHS No. 5 Nagcarlan	NAGCARLAN	Food and Beverage Services (NC II)	1
Region IV-A	Laguna	301278	Upland Integrated National High School	NAGCARLAN	Food and Beverage Services (NC II)	1
Region IV-A	Laguna	301273	Siniloan National High School	SINILOAN	Horticulture (NC II)	2
Region IV-A	Laguna	342351	Stand Alone SHS No. 9 Lalakay	LOS BAÑOS	Housekeeping (NC II)	2
Region IV-A	Laguna	301253	Pagsanjan National High School	PAGSANJAN	Housekeeping (NC II)	2
Region IV-A	Laguna	301240	Famy National High School	FAMY	Housekeeping (NC II)	2
Region IV-A	Laguna	301271	Santa Maria NHS - J. Santiago Annex	SANTA MARIA	Housekeeping (NC II)	1



DEPARTMENT OF EDUCATION
BUREAU OF LEARNING RESOURCES
FY 2018 TVL Tools and Equipment Allocation List

Lot No. 3 Mass Production

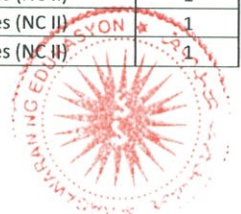
Region	Division	School_id	School_name	Municipality	Program/Specialization (EBEIS)	2018 No. of Packages
Region IV-A	Laguna	301234	Cabuyao NHS	CABUYAO	Housekeeping (NC II)	1
Region IV-A	Laguna	307914	San Pedro Relocation CNHS - Landayan A	SAN PEDRO	Housekeeping (NC II)	1
Region IV-A	Laguna	301229	Bigaa NHS	CABUYAO	Housekeeping (NC II)	1
Region IV-A	Laguna	301274	GOV. FELICISIMO T. SAN LUIS NATIONAL	SINILOAN	Organic Agriculture (NC II)	1
Region IV-A	Laguna	301268	Sta. Catalina NHS	MAJAYJAY	Organic Agriculture (NC II)	1
Region IV-A	Laguna	342358	Stand Alone SHS No. 16 Pila	PILA	Shielded Metal Arc Welding (NC I and NC II)	2
Region IV-A	Laguna	307907	San Pedro Relocation Center National Hi	SAN PEDRO	Shielded Metal Arc Welding (NC I and NC II)	2
Region IV-A	Laguna	342348	Victoria Senior High School	VICTORIA	Shielded Metal Arc Welding (NC I and NC II)	1
Region IV-A	Laguna	301232	Buenavista NHS	MAGDALENA	Shielded Metal Arc Welding (NC I and NC II)	1
Region IV-A	Laguna	342346	LAGUNA SENIOR HIGH SCHOOL	SANTA CRUZ (Capital)	Shielded Metal Arc Welding (NC II)	4
Region IV-A	Laguna	301229	Bigaa NHS	CABUYAO	Travel Services (NC II)	1
Region IV-A	Lipa City	301491	Inosloban-Marawoy NHS	LIPA CITY	Cookery (NC II)	2
Region IV-A	Lipa City	301497	Pinagtongulan NHS	LIPA CITY	Cookery (NC II)	1
Region IV-A	Lipa City	301487	BOLBOK NATIONAL HIGH SCHOOL	LIPA CITY	Cookery (NC II)	1
Region IV-A	Lipa City	301491	Inosloban-Marawoy NHS	LIPA CITY	Food and Beverage Services (NC II)	2
Region IV-A	Lipa City	301496	Pinagkawitan NHS	LIPA CITY	Food and Beverage Services (NC II)	2
Region IV-A	Lipa City	301497	Pinagtongulan NHS	LIPA CITY	Food and Beverage Services (NC II)	1
Region IV-A	Lipa City	301487	BOLBOK NATIONAL HIGH SCHOOL	LIPA CITY	Food and Beverage Services (NC II)	1
Region IV-A	Lipa City	301499	San Celestino National High School	LIPA CITY	Food and Beverage Services (NC II)	1
Region IV-A	Lipa City	301497	Pinagtongulan NHS	LIPA CITY	Organic Agriculture (NC II)	1
Region IV-A	Lipa City	301496	Pinagkawitan NHS	LIPA CITY	Travel Services (NC II)	2
Region IV-A	Lucena City	308501	Lucena Dalahican NHS	LUCENA CITY (Capital)	Cookery (NC II)	2
Region IV-A	Lucena City	301501	Lucena City National High School	LUCENA CITY (Capital)	Cookery (NC II)	1
Region IV-A	Lucena City	308501	Lucena Dalahican NHS	LUCENA CITY (Capital)	Food and Beverage Services (NC II)	2
Region IV-A	Lucena City	301501	Lucena City National High School	LUCENA CITY (Capital)	Food and Beverage Services (NC II)	1
Region IV-A	Lucena City	308505	Lucena City NHS -Mayao Parada Extensio	LUCENA CITY (Capital)	Organic Agriculture (NC II)	1
Region IV-A	Lucena City	301501	Lucena City National High School	LUCENA CITY (Capital)	Shielded Metal Arc Welding (NC I and NC II)	1
Region IV-A	Quezon	308010	San Vicente Kanluran NHS	CATANAUAN	Agricultural Crops Production (NC I)	1
Region IV-A	Quezon	301380	Recto MNHS	TIAONG	Cookery (NC II)	2
Region IV-A	Quezon	301319	Dr. Maria D. Pastrana National High Sch	MAUBAN	Cookery (NC II)	2
Region IV-A	Quezon	301332	Infanta NHS	INFANTA	Cookery (NC II)	2
Region IV-A	Quezon	301361	Paaralang Sek. Ng Hen. Nakar	GENERAL NAKAR	Cookery (NC II)	2
Region IV-A	Quezon	301345	Lopez National Comprehensive High Sch	LOPEZ	Cookery (NC II)	2
Region IV-A	Quezon	301371	Leonarda D. Vera Cruz NHS (Formerly Pa	UNISAN	Cookery (NC II)	2
Region IV-A	Quezon	301286	Atimonan NCHS	ATIMONAN	Cookery (NC II)	2
Region IV-A	Quezon	301407	Talipan National High School	PAGBILAO	Cookery (NC II)	2
Region IV-A	Quezon	301377	Polillo National High School	POLILLO	Cookery (NC II)	2
Region IV-A	Quezon	301295	Bondoc Peninsula Agri. HS	MULANAY	Cookery (NC II)	2
Region IV-A	Quezon	301314	Cesar C. Tan Memorial National High Sch	QUEZON	Cookery (NC II)	2
Region IV-A	Quezon	308016	Dolores Macasaet National High School	CANDELARIA	Cookery (NC II)	2
Region IV-A	Quezon	301403	Sta. Catalina National High School	CANDELARIA	Cookery (NC II)	2
Region IV-A	Quezon	308004	Pagbilao NHS	PAGBILAO	Cookery (NC II)	2
Region IV-A	Quezon	301306	Camflora NHS	SAN ANDRES	Cookery (NC II)	2
Region IV-A	Quezon	301349	Lutucan National High School	SARIAYA	Cookery (NC II)	2
Region IV-A	Quezon	301305	Callejon NHS	SAN ANTONIO	Cookery (NC II)	2
Region IV-A	Quezon	301343	Langgas NHS	INFANTA	Cookery (NC II)	2
Region IV-A	Quezon	301375	Perez National High School	PEREZ	Cookery (NC II)	1
Region IV-A	Quezon	301390	Marcial B. Villanueva NHS (Formerly San	SAN FRANCISCO (AURORA)	Cookery (NC II)	1
Region IV-A	Quezon	301284	Alabat Island National High School	ALABAT	Cookery (NC II)	1
Region IV-A	Quezon	301296	Buenavista NHS	BUENAVISTA	Cookery (NC II)	1
Region IV-A	Quezon	301297	Bukal Sur National High School	CANDELARIA	Cookery (NC II)	1
Region IV-A	Quezon	301329	Ilayang Yuni NHS	MULANAY	Cookery (NC II)	1



DEPARTMENT OF EDUCATION
BUREAU OF LEARNING RESOURCES
FY 2018 TVL Tools and Equipment Allocation List

Lot No. 3 Mass Production

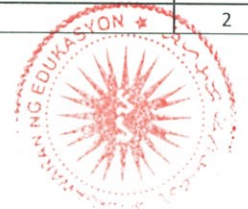
Region	Division	School_id	School_name	Municipality	Program/Specialization (EBEIS)	2018 No. of Packages
Region IV-A	Quezon	301350	Manuel S. Enverga Memorial School of A	MAUBAN	Cookery (NC II)	1
Region IV-A	Quezon	301414	Unisan NHS	UNISAN	Cookery (NC II)	1
Region IV-A	Quezon	301299	Cabay NHS	TIAONG	Cookery (NC II)	1
Region IV-A	Quezon	301307	Camohaguin National High School	GUMACA	Cookery (NC II)	1
Region IV-A	Quezon	308007	Liwawayway National High School	MAUBAN	Cookery (NC II)	1
Region IV-A	Quezon	301364	Paaralang Sek. Ng Lukban	LUCBAN	Cookery (NC II)	1
Region IV-A	Quezon	301327	Hondagua NHS	LOPEZ	Cookery (NC II)	1
Region IV-A	Quezon	500444	Gumaca Integrated School	GUMACA	Cookery (NC II)	1
Region IV-A	Quezon	301304	Calauag NHS	CALAUAG	Cookery (NC II)	1
Region IV-A	Quezon	301313	Evaristo R. Macalintal MNHS (Formerly C	QUEZON	Cookery (NC II)	1
Region IV-A	Quezon	301323	Guinayangan NHS	GUINAYANGAN	Cookery (NC II)	1
Region IV-A	Quezon	301325	Gumaca National High School	GUMACA	Cookery (NC II)	1
Region IV-A	Quezon	301360	Olongtao National High School	MACALELON	Cookery (NC II)	1
Region IV-A	Quezon	301376	Pitogo Community High School	PITOGO	Cookery (NC II)	1
Region IV-A	Quezon	301357	Malusak National High School	ATIMONAN	Cookery (NC II)	1
Region IV-A	Quezon	301399	Godofredo M. Tan Memorial School of A	SAN NARCISO	Cookery (NC II)	1
Region IV-A	Quezon	308024	Camflora National High School (Annex)	SAN ANDRES	Cookery (NC II)	1
Region IV-A	Quezon	301334	Burdeos NHS (Judith NHS)	BURDEOS	Cookery (NC II)	1
Region IV-A	Quezon	301368	Renato Edaño Vicencio NHS (Formerly Pa	SAN FRANCISCO (AURORA)	Cookery (NC II)	1
Region IV-A	Quezon	301340	Lamon Bay SOF - Main Gumaca	GUMACA	Cookery (NC II)	1
Region IV-A	Quezon	301367	Pagbilao Grande Island NHS	PAGBILAO	Cookery (NC II)	1
Region IV-A	Quezon	301310	Catanauan National High School	CATANAUAN	Cookery (NC II)	1
Region IV-A	Quezon	301391	San Isidro National High School	CATANAUAN	Cookery (NC II)	1
Region IV-A	Quezon	301359	Nabangka NHS	GUINAYANGAN	Cookery (NC II)	1
Region IV-A	Quezon	301300	Cabulihan NHS	PITOGO	Cookery (NC II)	1
Region IV-A	Quezon	301318	Sta. Lucia NHS (Formerly Dagatan NHS A	DOLORES	Cookery (NC II)	1
Region IV-A	Quezon	301292	Batangan National High School	GENERAL NAKAR	Cookery (NC II)	1
Region IV-A	Quezon	301303	Calantas NHS	MACALELON	Cookery (NC II)	1
Region IV-A	Quezon	308031	White Cliff NHS	SAN NARCISO	Cookery (NC II)	1
Region IV-A	Quezon	301348	Lusacan National High School	TIAONG	Cookery (NC II)	1
Region IV-A	Quezon	308019	Dr. Panfilo Castro NHS (Formerly Bukal S	CANDELARIA	Cookery (NC II)	1
Region IV-A	Quezon	301319	Dr. Maria D. Pastrana National High Sch	MAUBAN	Food and Beverage Services (NC II)	2
Region IV-A	Quezon	301332	Infanta NHS	INFANTA	Food and Beverage Services (NC II)	2
Region IV-A	Quezon	301361	Paaralang Sek. Ng Hen. Nakar	GENERAL NAKAR	Food and Beverage Services (NC II)	2
Region IV-A	Quezon	301345	Lopez National Comprehensive High Sch	LOPEZ	Food and Beverage Services (NC II)	2
Region IV-A	Quezon	301371	Leonarda D. Vera Cruz NHS (Formerly Pa	UNISAN	Food and Beverage Services (NC II)	2
Region IV-A	Quezon	301286	Atimonan NCHS	ATIMONAN	Food and Beverage Services (NC II)	2
Region IV-A	Quezon	301407	Talipan National High School	PAGBILAO	Food and Beverage Services (NC II)	2
Region IV-A	Quezon	301377	Polillo National High School	POLILLO	Food and Beverage Services (NC II)	2
Region IV-A	Quezon	301295	Bondoc Peninsula Agri. HS	MULANAY	Food and Beverage Services (NC II)	2
Region IV-A	Quezon	301314	Cesar C. Tan Memorial National High Sch	QUEZON	Food and Beverage Services (NC II)	2
Region IV-A	Quezon	308016	Dolores Macasaet National High School	CANDELARIA	Food and Beverage Services (NC II)	2
Region IV-A	Quezon	301403	Sta. Catalina National High School	CANDELARIA	Food and Beverage Services (NC II)	2
Region IV-A	Quezon	308004	Pagbilao NHS	PAGBILAO	Food and Beverage Services (NC II)	2
Region IV-A	Quezon	301306	Camflora NHS	SAN ANDRES	Food and Beverage Services (NC II)	2
Region IV-A	Quezon	301349	Lutucan National High School	SARIAYA	Food and Beverage Services (NC II)	2
Region IV-A	Quezon	301305	Callejon NHS	SAN ANTONIO	Food and Beverage Services (NC II)	2
Region IV-A	Quezon	301343	Langgas NHS	INFANTA	Food and Beverage Services (NC II)	2
Region IV-A	Quezon	301375	Perez National High School	PEREZ	Food and Beverage Services (NC II)	1
Region IV-A	Quezon	301390	Marcial B. Villanueva NHS (Formerly San	SAN FRANCISCO (AURORA)	Food and Beverage Services (NC II)	1
Region IV-A	Quezon	301284	Alabat Island National High School	ALABAT	Food and Beverage Services (NC II)	1
Region IV-A	Quezon	301296	Buenavista NHS	BUENAVISTA	Food and Beverage Services (NC II)	1



DEPARTMENT OF EDUCATION
BUREAU OF LEARNING RESOURCES
FY 2018 TVL Tools and Equipment Allocation List

Lot No. 3 Mass Production

Region	Division	School_id	School_name	Municipality	Program/Specialization (EBEIS)	2018 No. of Packages
Region IV-A	Quezon	301297	Bukal Sur National High School	CANDELARIA	Food and Beverage Services (NC II)	1
Region IV-A	Quezon	301329	Ilayang Yuni NHS	MULANAY	Food and Beverage Services (NC II)	1
Region IV-A	Quezon	301350	Manuel S. Enverga Memorial School of A	MAUBAN	Food and Beverage Services (NC II)	1
Region IV-A	Quezon	301414	Unisan NHS	UNISAN	Food and Beverage Services (NC II)	1
Region IV-A	Quezon	301299	Cabay NHS	TIAONG	Food and Beverage Services (NC II)	1
Region IV-A	Quezon	301307	Camohaguin National High School	GUMACA	Food and Beverage Services (NC II)	1
Region IV-A	Quezon	308007	Lidayway National High School	MAUBAN	Food and Beverage Services (NC II)	1
Region IV-A	Quezon	301364	Paaralang Sek. Ng Lukban	LUCBAN	Food and Beverage Services (NC II)	1
Region IV-A	Quezon	301327	Hondagua NHS	LOPEZ	Food and Beverage Services (NC II)	1
Region IV-A	Quezon	301304	Calauag NHS	CALAUAG	Food and Beverage Services (NC II)	1
Region IV-A	Quezon	301313	Evaristo R. Macalintal MNHS (Formerly C	QUEZON	Food and Beverage Services (NC II)	1
Region IV-A	Quezon	301323	Guinayangan NHS	GUINAYANGAN	Food and Beverage Services (NC II)	1
Region IV-A	Quezon	301325	Gumaca National High School	GUMACA	Food and Beverage Services (NC II)	1
Region IV-A	Quezon	301360	Olongtao National High School	MACALELON	Food and Beverage Services (NC II)	1
Region IV-A	Quezon	301376	Pitogo Community High School	PITOGO	Food and Beverage Services (NC II)	1
Region IV-A	Quezon	301357	Malusak National High School	ATIMONAN	Food and Beverage Services (NC II)	1
Region IV-A	Quezon	301399	Godofredo M. Tan Memorial School of A	SAN NARCISO	Food and Beverage Services (NC II)	1
Region IV-A	Quezon	308024	Camflora National High School (Annex)	SAN ANDRES	Food and Beverage Services (NC II)	1
Region IV-A	Quezon	301334	Burdeos NHS (Judith NHS)	BURDEOS	Food and Beverage Services (NC II)	1
Region IV-A	Quezon	301368	Renato Edaño Vicencio NHS (Formerly Pa	SAN FRANCISCO (AURORA)	Food and Beverage Services (NC II)	1
Region IV-A	Quezon	301340	Lamon Bay SOF - Main Gumaca	GUMACA	Food and Beverage Services (NC II)	1
Region IV-A	Quezon	301367	Pagbilao Grande Island NHS	PAGBILAO	Food and Beverage Services (NC II)	1
Region IV-A	Quezon	301310	Catanauan National High School	CATANAUAN	Food and Beverage Services (NC II)	1
Region IV-A	Quezon	301391	San Isidro National High School	CATANAUAN	Food and Beverage Services (NC II)	1
Region IV-A	Quezon	301359	Nabangka NHS	GUINAYANGAN	Food and Beverage Services (NC II)	1
Region IV-A	Quezon	301300	Cabulihan NHS	PITOGO	Food and Beverage Services (NC II)	1
Region IV-A	Quezon	301318	Sta. Lucia NHS (Formerly Dagatan NHS A	DOLORES	Food and Beverage Services (NC II)	1
Region IV-A	Quezon	301292	Batangan National High School	GENERAL NAKAR	Food and Beverage Services (NC II)	1
Region IV-A	Quezon	301303	Calantas NHS	MACALELON	Food and Beverage Services (NC II)	1
Region IV-A	Quezon	308031	White Cliff NHS	SAN NARCISO	Food and Beverage Services (NC II)	1
Region IV-A	Quezon	301348	Lusacan National High School	TIAONG	Food and Beverage Services (NC II)	1
Region IV-A	Quezon	301345	Lopez National Comprehensive High Sch	LOPEZ	Horticulture (NC II)	1
Region IV-A	Quezon	301360	Olongtao National High School	MACALELON	Horticulture (NC II)	1
Region IV-A	Quezon	301295	Bondoc Peninsula Agri. HS	MULANAY	Horticulture (NC II)	1
Region IV-A	Quezon	301325	Gumaca National High School	GUMACA	Horticulture (NC II)	1
Region IV-A	Quezon	301380	Recto MNHS	TIAONG	Housekeeping (NC II)	2
Region IV-A	Quezon	301286	Atimonan NCHS	ATIMONAN	Housekeeping (NC II)	2
Region IV-A	Quezon	500444	Gumaca Integrated School	GUMACA	Housekeeping (NC II)	1
Region IV-A	Quezon	308019	Dr. Panfilo Castro NHS (Formerly Bukal S	CANDELARIA	Housekeeping (NC II)	1
Region IV-A	Quezon	301318	Sta. Lucia NHS (Formerly Dagatan NHS A	DOLORES	Organic Agriculture (NC II)	1
Region IV-A	Quezon	308010	San Vicente Kanluran NHS	CATANAUAN	Organic Agriculture (NC II)	1
Region IV-A	Quezon	301295	Bondoc Peninsula Agri. HS	MULANAY	Organic Agriculture (NC II)	1
Region IV-A	Quezon	301349	Lutucan National High School	SARIAYA	Shielded Metal Arc Welding (NC I and NC II)	2
Region IV-A	Quezon	301350	Manuel S. Enverga Memorial School of A	MAUBAN	Shielded Metal Arc Welding (NC I and NC II)	2
Region IV-A	Quezon	301325	Gumaca National High School	GUMACA	Shielded Metal Arc Welding (NC I and NC II)	2
Region IV-A	Quezon	301284	Alabat Island National High School	ALABAT	Shielded Metal Arc Welding (NC I and NC II)	1
Region IV-A	Quezon	301348	Lusacan National High School	TIAONG	Shielded Metal Arc Welding (NC I and NC II)	1
Region IV-A	Quezon	301414	Unisan NHS	UNISAN	Shielded Metal Arc Welding (NC I and NC II)	1
Region IV-A	Quezon	301308	Canda National High School	SARIAYA	Shielded Metal Arc Welding (NC I and NC II)	1
Region IV-A	Quezon	301296	Buenavista NHS	BUENAVISTA	Shielded Metal Arc Welding (NC I)	1
Region IV-A	Quezon	301301	Cagbalete Island NHS	MAUBAN	Travel Services (NC II)	2
Region IV-A	Rizal	342570	San Isidro Senior High School	RODRIGUEZ (MONTALBAN)	Cookery (NC II)	2



DEPARTMENT OF EDUCATION
BUREAU OF LEARNING RESOURCES
FY 2018 TVL Tools and Equipment Allocation List

Lot No. 3 Mass Production

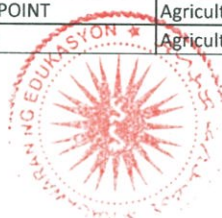
Region	Division	School_id	School_name	Municipality	Program/Specialization (EBEIS)	2018 No. of Packages
Region IV-A	Rizal	342566	Stand alone SHS 5	RODRIGUEZ (MONTALBAN)	Cookery (NC II)	2
Region IV-A	Rizal	301452	Morong National High School	MORONG	Cookery (NC II)	2
Region IV-A	Rizal	301417	Angono NHS	ANGONO	Cookery (NC II)	2
Region IV-A	Rizal	342564	Cainta Senior High School	CAINTA	Cookery (NC II)	2
Region IV-A	Rizal	342568	Baras Senior High School	BARAS	Cookery (NC II)	2
Region IV-A	Rizal	301433	Carlos "Botong" V. Francisco MNHS	ANGONO	Cookery (NC II)	2
Region IV-A	Rizal	342563	San Mateo SHS	SAN MATEO	Cookery (NC II)	2
Region IV-A	Rizal	301432	Bernardo F. San Juan NHS	CARDONA	Cookery (NC II)	2
Region IV-A	Rizal	301467	Teresa National High School	TERESA	Cookery (NC II)	2
Region IV-A	Rizal	308124	Baras-Pinugay NHS	BARAS	Cookery (NC II)	1
Region IV-A	Rizal	301430	Bayugo NHS	JALA-JALA	Dressmaking (NC II)	1
Region IV-A	Rizal	301469	Vicente Madrigal NHS	BINANGONAN	Food and Beverage Services (NC II)	2
Region IV-A	Rizal	342570	San Isidro Senior High School	RODRIGUEZ (MONTALBAN)	Food and Beverage Services (NC II)	2
Region IV-A	Rizal	342566	Stand alone SHS 5	RODRIGUEZ (MONTALBAN)	Food and Beverage Services (NC II)	2
Region IV-A	Rizal	301452	Morong National High School	MORONG	Food and Beverage Services (NC II)	2
Region IV-A	Rizal	301417	Angono NHS	ANGONO	Food and Beverage Services (NC II)	2
Region IV-A	Rizal	342564	Cainta Senior High School	CAINTA	Food and Beverage Services (NC II)	2
Region IV-A	Rizal	342568	Baras Senior High School	BARAS	Food and Beverage Services (NC II)	2
Region IV-A	Rizal	301433	Carlos "Botong" V. Francisco MNHS	ANGONO	Food and Beverage Services (NC II)	2
Region IV-A	Rizal	342563	San Mateo SHS	SAN MATEO	Food and Beverage Services (NC II)	2
Region IV-A	Rizal	301432	Bernardo F. San Juan NHS	CARDONA	Food and Beverage Services (NC II)	2
Region IV-A	Rizal	301467	Teresa National High School	TERESA	Food and Beverage Services (NC II)	2
Region IV-A	Rizal	308124	Baras-Pinugay NHS	BARAS	Food and Beverage Services (NC II)	1
Region IV-A	Rizal	301461	Sto. Nino Integrated School	TANAY	Housekeeping (NC II)	1
Region IV-A	Rizal	301417	Angono NHS	ANGONO	Shielded Metal Arc Welding (NC I and NC II)	2
Region IV-A	Rizal	301432	Bernardo F. San Juan NHS	CARDONA	Shielded Metal Arc Welding (NC I and NC II)	1
Region IV-A	Rizal	301452	Morong National High School	MORONG	Shielded Metal Arc Welding (NC I and NC II)	1
Region IV-A	Rizal	342566	Stand alone SHS 5	RODRIGUEZ (MONTALBAN)	Shielded Metal Arc Welding (NC I and NC II)	1
Region IV-A	Rizal	342569	Taytay Senior High School	TAYTAY	Shielded Metal Arc Welding (NC I and NC II)	1
Region IV-A	Rizal	301430	Bayugo NHS	JALA-JALA	Tailoring (NC II)	1
Region IV-A	Rizal	301456	Sampaloc NHS	TANAY	Travel Services (NC II)	1
Region IV-A	Sta. Rosa City	301227	Balibago National High School	CITY OF SANTA ROSA	Cookery (NC II)	1
Region IV-A	Sta. Rosa City	301239	Don Jose National High School	CITY OF SANTA ROSA	Cookery (NC II)	1
Region IV-A	Sta. Rosa City	301227	Balibago National High School	CITY OF SANTA ROSA	Food and Beverage Services (NC II)	1
Region IV-A	Sta. Rosa City	301239	Don Jose National High School	CITY OF SANTA ROSA	Food and Beverage Services (NC II)	1
Region IV-A	Sta. Rosa City	342597	Sinalhan Senior High School	CITY OF SANTA ROSA	Shielded Metal Arc Welding (NC I and NC II)	1
Region IV-A	Tanauan City	301154	Tanauan School of Fisheries	CITY OF TANAUAN	Aquaculture (NC II)	1
Region IV-A	Tanauan City	301154	Tanauan School of Fisheries	CITY OF TANAUAN	Cookery (NC II)	2
Region IV-A	Tanauan City	301154	Tanauan School of Fisheries	CITY OF TANAUAN	Food and Beverage Services (NC II)	2
Region IV-A	Tayabas City	342576	Tayabas City Division Stand Alone SHS	CITY OF TAYABAS	Cookery (NC II)	2
Region IV-A	Tayabas City	342576	Tayabas City Division Stand Alone SHS	CITY OF TAYABAS	Food and Beverage Services (NC II)	2
Region IV-A	Tayabas City	342576	Tayabas City Division Stand Alone SHS	CITY OF TAYABAS	Horticulture (NC II)	1
Region IV-A	Tayabas City	342576	Tayabas City Division Stand Alone SHS	CITY OF TAYABAS	Shielded Metal Arc Welding (NC I and NC II)	1
Region IV-B	Calapan City	301805	Managpi National High School	CITY OF CALAPAN (Capital)	Agricultural Crops Production (NC I)	1
Region IV-B	Calapan City	301802	Nag-iba National High School	CITY OF CALAPAN (Capital)	Cookery (NC II)	1
Region IV-B	Calapan City	301800	Oriental Mindoro National High School	CITY OF CALAPAN (Capital)	Food and Beverage Services (NC II)	3
Region IV-B	Calapan City	301802	Nag-iba National High School	CITY OF CALAPAN (Capital)	Food and Beverage Services (NC II)	1
Region IV-B	Calapan City	301798	Canubing National High School	CITY OF CALAPAN (Capital)	Food and Beverage Services (NC II)	1
Region IV-B	Calapan City	301800	Oriental Mindoro National High School	CITY OF CALAPAN (Capital)	Housekeeping (NC II)	3
Region IV-B	Calapan City	301805	Managpi National High School	CITY OF CALAPAN (Capital)	Organic Agriculture (NC II)	1
Region IV-B	Marinduque	301535	Buenavista NHS	BUENA VISTA	Cookery (NC II)	2
Region IV-B	Marinduque	301554	Marinduque NHS	BOAC (Capital)	Cookery (NC II)	2



DEPARTMENT OF EDUCATION
BUREAU OF LEARNING RESOURCES
FY 2018 TVL Tools and Equipment Allocation List

Lot No. 3 Mass Production

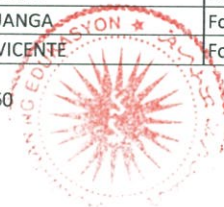
Region	Division	School_id	School_name	Municipality	Program/Specialization (EBEIS)	2018 No. of Packages
Region IV-B	Marinduque	301531	Bangbang National High School	GASAN	Cookery (NC II)	2
Region IV-B	Marinduque	301548	Landy National High School	SANTA CRUZ	Cookery (NC II)	1
Region IV-B	Marinduque	301565	Tapuyan NHS	GASAN	Cookery (NC II)	1
Region IV-B	Marinduque	301535	Buenavista NHS	BUENAVISTA	Food and Beverage Services (NC II)	2
Region IV-B	Marinduque	301554	Marinduque NHS	BOAC (Capital)	Food and Beverage Services (NC II)	2
Region IV-B	Marinduque	301531	Bangbang National High School	GASAN	Food and Beverage Services (NC II)	2
Region IV-B	Marinduque	301548	Landy National High School	SANTA CRUZ	Food and Beverage Services (NC II)	1
Region IV-B	Marinduque	301530	Balanacan NHS	MOGPOG	Housekeeping (NC II)	2
Region IV-B	Marinduque	301531	Bangbang National High School	GASAN	Housekeeping (NC II)	2
Region IV-B	Marinduque	301565	Tapuyan NHS	GASAN	Housekeeping (NC II)	1
Region IV-B	Marinduque	301554	Marinduque NHS	BOAC (Capital)	Shielded Metal Arc Welding (NC I and NC II)	2
Region IV-B	Marinduque	301557	Mogpog National Comprehensive High School	MOGPOG	Shielded Metal Arc Welding (NC I and NC II)	1
Region IV-B	Marinduque	301553	Maranlig National High School	TORRIJOS	Shielded Metal Arc Welding (NC I and NC II)	1
Region IV-B	Occidental Mindoro	301586	LUBANG VOCATIONAL HIGH SCHOOL	LUBANG	Cookery (NC II)	1
Region IV-B	Occidental Mindoro	301586	LUBANG VOCATIONAL HIGH SCHOOL	LUBANG	Food and Beverage Services (NC II)	1
Region IV-B	Oriental Mindoro	301654	Vicente B. Ylagan NHS	BONGABONG	Agricultural Crops Production (NC I)	1
Region IV-B	Oriental Mindoro	301613	Aurelio Arago MNHS	VICTORIA	Cookery (NC II)	2
Region IV-B	Oriental Mindoro	301655	Villapagasa NHS	BANSUD	Cookery (NC II)	2
Region IV-B	Oriental Mindoro	301627	Domingo Yu Chu NHS	POLA	Cookery (NC II)	2
Region IV-B	Oriental Mindoro	301644	Nabuslot NHS	PINAMALAYAN	Cookery (NC II)	1
Region IV-B	Oriental Mindoro	301651	San Agustin NHS	NAUJAN	Cookery (NC II)	1
Region IV-B	Oriental Mindoro	301634	Leuteboro NHS	SOCORRO	Cookery (NC II)	1
Region IV-B	Oriental Mindoro	301610	Alcadesma NHS	BANSUD	Cookery (NC II)	1
Region IV-B	Oriental Mindoro	301639	Marcelo I. Cabrera Vocational High School	ROXAS	Cookery (NC II)	1
Region IV-B	Oriental Mindoro	301642	Melgar NHS	NAUJAN	Cookery (NC II)	1
Region IV-B	Oriental Mindoro	309004	Puerto Galera NHS	PUERTO GALERA	Cookery (NC II)	1
Region IV-B	Oriental Mindoro	301639	Marcelo I. Cabrera Vocational High School	ROXAS	Dressmaking (NC II)	1
Region IV-B	Oriental Mindoro	301613	Aurelio Arago MNHS	VICTORIA	Food and Beverage Services (NC II)	2
Region IV-B	Oriental Mindoro	301655	Villapagasa NHS	BANSUD	Food and Beverage Services (NC II)	2
Region IV-B	Oriental Mindoro	301627	Domingo Yu Chu NHS	POLA	Food and Beverage Services (NC II)	2
Region IV-B	Oriental Mindoro	301644	Nabuslot NHS	PINAMALAYAN	Food and Beverage Services (NC II)	1
Region IV-B	Oriental Mindoro	301639	Marcelo I. Cabrera Vocational High School	ROXAS	Food and Beverage Services (NC II)	1
Region IV-B	Oriental Mindoro	301651	San Agustin NHS	NAUJAN	Food and Beverage Services (NC II)	1
Region IV-B	Oriental Mindoro	301634	Leuteboro NHS	SOCORRO	Food and Beverage Services (NC II)	1
Region IV-B	Oriental Mindoro	301610	Alcadesma NHS	BANSUD	Food and Beverage Services (NC II)	1
Region IV-B	Oriental Mindoro	301642	Melgar NHS	NAUJAN	Food and Beverage Services (NC II)	1
Region IV-B	Oriental Mindoro	309004	Puerto Galera NHS	PUERTO GALERA	Food and Beverage Services (NC II)	1
Region IV-B	Oriental Mindoro	301624	Cawayan NHS	BONGABONG	Horticulture (NC II)	1
Region IV-B	Oriental Mindoro	309035	Puerto Galera NHS - San Isidro Ext.	PUERTO GALERA	Housekeeping (NC II)	2
Region IV-B	Oriental Mindoro	301654	Vicente B. Ylagan NHS	BONGABONG	Organic Agriculture (NC II)	1
Region IV-B	Oriental Mindoro	301631	Fe del Mundo NHS	MANSALAY	Shielded Metal Arc Welding (NC I and NC II)	2
Region IV-B	Oriental Mindoro	301613	Aurelio Arago MNHS	VICTORIA	Shielded Metal Arc Welding (NC I and NC II)	2
Region IV-B	Oriental Mindoro	301652	San Mariano NHS	ROXAS	Shielded Metal Arc Welding (NC I and NC II)	1
Region IV-B	Oriental Mindoro	301639	Marcelo I. Cabrera Vocational High School	ROXAS	Shielded Metal Arc Welding (NC I and NC II)	1
Region IV-B	Oriental Mindoro	301639	Marcelo I. Cabrera Vocational High School	ROXAS	Tailoring (NC II)	1
Region IV-B	Oriental Mindoro	301640	Dangay NHS	ROXAS	Tailoring (NC II)	1
Region IV-B	Palawan	301668	Bataraza National High School	BATARAZA	Agricultural Crops Production (NC I)	1
Region IV-B	Palawan	301666	Balabac National High School	BALABAC	Agricultural Crops Production (NC I)	1
Region IV-B	Palawan	301702	Jose P. Rizal National High School	RIZAL (MARCOS)	Agricultural Crops Production (NC I)	1
Region IV-B	Palawan	301722	Plaridel National High School	ABORLAN	Agricultural Crops Production (NC I)	1
Region IV-B	Palawan	301704	Maasin National High School (Bernas NHS)	BROOKE'S POINT	Agricultural Crops Production (NC I)	1
Region IV-B	Palawan	309109	Bacao National High School (Dumaran NHS)	DUMARAN	Agricultural Crops Production (NC I)	1



DEPARTMENT OF EDUCATION
BUREAU OF LEARNING RESOURCES
FY 2018 TVL Tools and Equipment Allocation List

Lot No. 3 Mass Production

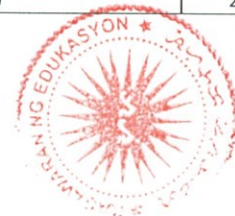
Region	Division	School_id	School_name	Municipality	Program/Specialization (EBEIS)	2018 No. of Packages
Region IV-B	Palawan	301657	Abo-Abo National High School	SOFRONIO ESPAÑOLA	Agricultural Crops Production (NC I)	1
Region IV-B	Palawan	301661	Apurawan National High School	ABORLAN	Agricultural Crops Production (NC I)	1
Region IV-B	Palawan	301669	Bato National High School	TAYTAY	Agricultural Crops Production (NC I)	1
Region IV-B	Palawan	309107	PANCOL NATIONAL HIGH SCHOOL - BAN	TAYTAY	Agricultural Crops Production (NC I)	1
Region IV-B	Palawan	309146	Panalingaan National High School	RIZAL (MARCOS)	Agricultural Crops Production (NC I)	1
Region IV-B	Palawan	309160	Canipaan National High School	RIZAL (MARCOS)	Agricultural Crops Production (NC I)	1
Region IV-B	Palawan	301713	New Ibajay National High School	EL NIDO (BACUIT)	Agricultural Crops Production (NC I)	1
Region IV-B	Palawan	301684	Coron School of Fisheries	CORON	Aquaculture (NC II)	1
Region IV-B	Palawan	301684	Coron School of Fisheries	CORON	Cookery (NC II)	3
Region IV-B	Palawan	301737	San Miguel National High School (Gau	LINAPACAN	Cookery (NC II)	2
Region IV-B	Palawan	301726	Quezon National High School	QUEZON	Cookery (NC II)	2
Region IV-B	Palawan	301731	Roxas National Comprehensive High Sch	ROXAS	Cookery (NC II)	2
Region IV-B	Palawan	301693	El Nido National High School	EL NIDO (BACUIT)	Cookery (NC II)	2
Region IV-B	Palawan	301710	Narra National High School	NARRA	Cookery (NC II)	1
Region IV-B	Palawan	301689	Danawan National High School	MAGSAYSAY	Cookery (NC II)	1
Region IV-B	Palawan	342752	Central Taytay Senior High School	TAYTAY	Cookery (NC II)	1
Region IV-B	Palawan	301708	Manamoc National High School	CUYO	Cookery (NC II)	1
Region IV-B	Palawan	301682	Casian National High School	TAYTAY	Cookery (NC II)	1
Region IV-B	Palawan	301688	Cuyo National High School	CUYO	Cookery (NC II)	1
Region IV-B	Palawan	301730	Rio Tuba National High School	BATARAZA	Cookery (NC II)	1
Region IV-B	Palawan	301681	Caruray National High School	SAN VICENTE	Cookery (NC II)	1
Region IV-B	Palawan	301668	Bataraza National High School	BATARAZA	Cookery (NC II)	1
Region IV-B	Palawan	301671	Brooke's Point National High School - Pa	BROOKE'S POINT	Cookery (NC II)	1
Region IV-B	Palawan	301660	Alimanguan National High School	SAN VICENTE	Cookery (NC II)	1
Region IV-B	Palawan	301674	Mangsee National High School	BALABAC	Cookery (NC II)	1
Region IV-B	Palawan	301738	San Vicente National High School	SAN VICENTE	Cookery (NC II)	1
Region IV-B	Palawan	301687	Culion Sanitarium Special National High S	CULION	Cookery (NC II)	1
Region IV-B	Palawan	301699	Gov. Alfredo Abueg Sr. National Technol	BROOKE'S POINT	Cookery (NC II)	1
Region IV-B	Palawan	301723	Port Barton National High School	SAN VICENTE	Cookery (NC II)	1
Region IV-B	Palawan	301705	Magara School for Philippine Craftsmen	ROXAS	Cookery (NC II)	1
Region IV-B	Palawan	301725	Pulot National High School	SOFRONIO ESPAÑOLA	Cookery (NC II)	1
Region IV-B	Palawan	301663	Aramaywan National High School	NARRA	Cookery (NC II)	1
Region IV-B	Palawan	301669	Bato National High School	TAYTAY	Cookery (NC II)	1
Region IV-B	Palawan	309115	Sumbiling National High School	BATARAZA	Cookery (NC II)	1
Region IV-B	Palawan	301724	Princess Urduja National High School	NARRA	Cookery (NC II)	1
Region IV-B	Palawan	301666	Balabac National High School	BALABAC	Cookery (NC II)	1
Region IV-B	Palawan	301722	Plaridel National High School	ABORLAN	Cookery (NC II)	1
Region IV-B	Palawan	309126	Tarusan National High School	BATARAZA	Dressmaking (NC II)	1
Region IV-B	Palawan	301684	Coron School of Fisheries	CORON	Food and Beverage Services (NC II)	3
Region IV-B	Palawan	301737	San Miguel National High School (Gau	LINAPACAN	Food and Beverage Services (NC II)	2
Region IV-B	Palawan	301726	Quezon National High School	QUEZON	Food and Beverage Services (NC II)	2
Region IV-B	Palawan	301731	Roxas National Comprehensive High Sch	ROXAS	Food and Beverage Services (NC II)	2
Region IV-B	Palawan	301693	El Nido National High School	EL NIDO (BACUIT)	Food and Beverage Services (NC II)	2
Region IV-B	Palawan	301710	Narra National High School	NARRA	Food and Beverage Services (NC II)	1
Region IV-B	Palawan	301689	Danawan National High School	MAGSAYSAY	Food and Beverage Services (NC II)	1
Region IV-B	Palawan	342752	Central Taytay Senior High School	TAYTAY	Food and Beverage Services (NC II)	1
Region IV-B	Palawan	301708	Manamoc National High School	CUYO	Food and Beverage Services (NC II)	1
Region IV-B	Palawan	301682	Casian National High School	TAYTAY	Food and Beverage Services (NC II)	1
Region IV-B	Palawan	301688	Cuyo National High School	CUYO	Food and Beverage Services (NC II)	1
Region IV-B	Palawan	301730	Rio Tuba National High School	BATARAZA	Food and Beverage Services (NC II)	1
Region IV-B	Palawan	301734	Salvacion National High School	BUSUANGA	Food and Beverage Services (NC II)	1
Region IV-B	Palawan	301681	Caruray National High School	SAN VICENTE	Food and Beverage Services (NC II)	1



DEPARTMENT OF EDUCATION
BUREAU OF LEARNING RESOURCES
FY 2018 TVL Tools and Equipment Allocation List

Lot No. 3 Mass Production

Region	Division	School_id	School_name	Municipality	Program/Specialization (EBEIS)	2018 No. of Packages
Region IV-B	Palawan	301668	Bataraza National High School	BATARAZA	Food and Beverage Services (NC II)	1
Region IV-B	Palawan	301671	Brooke's Point National High School - Palawan	BROOKE'S POINT	Food and Beverage Services (NC II)	1
Region IV-B	Palawan	301660	Alimanguan National High School	SAN VICENTE	Food and Beverage Services (NC II)	1
Region IV-B	Palawan	301674	Mangsee National High School	BALABAC	Food and Beverage Services (NC II)	1
Region IV-B	Palawan	301738	San Vicente National High School	SAN VICENTE	Food and Beverage Services (NC II)	1
Region IV-B	Palawan	301687	Culion Sanitarium Special National High School	CULION	Food and Beverage Services (NC II)	1
Region IV-B	Palawan	301699	Gov. Alfredo Abueg Sr. National Technological High School	BROOKE'S POINT	Food and Beverage Services (NC II)	1
Region IV-B	Palawan	301723	Port Barton National High School	SAN VICENTE	Food and Beverage Services (NC II)	1
Region IV-B	Palawan	301705	Magara School for Philippine Craftsmen	ROXAS	Food and Beverage Services (NC II)	1
Region IV-B	Palawan	309113	Bancalaan National High School	BALABAC	Food and Beverage Services (NC II)	1
Region IV-B	Palawan	301725	Pulot National High School	SOFRONIO ESPAÑOLA	Food and Beverage Services (NC II)	1
Region IV-B	Palawan	301663	Aramaywan National High School	NARRA	Food and Beverage Services (NC II)	1
Region IV-B	Palawan	301669	Bato National High School	TAYTAY	Food and Beverage Services (NC II)	1
Region IV-B	Palawan	309115	Sumbiling National High School	BATARAZA	Food and Beverage Services (NC II)	1
Region IV-B	Palawan	301724	Princess Urduja National High School	NARRA	Food and Beverage Services (NC II)	1
Region IV-B	Palawan	301666	Balabac National High School	BALABAC	Food and Beverage Services (NC II)	1
Region IV-B	Palawan	301726	Quezon National High School	QUEZON	Horticulture (NC II)	1
Region IV-B	Palawan	301725	Pulot National High School	SOFRONIO ESPAÑOLA	Horticulture (NC II)	1
Region IV-B	Palawan	301732	San Jose (Roxas) National High School	ROXAS	Horticulture (NC II)	1
Region IV-B	Palawan	301727	Quezon-Aramaywan National High School	QUEZON	Horticulture (NC II)	1
Region IV-B	Palawan	301731	Roxas National Comprehensive High School	ROXAS	Horticulture (NC II)	1
Region IV-B	Palawan	301671	Brooke's Point National High School - Palawan	BROOKE'S POINT	Horticulture (NC II)	1
Region IV-B	Palawan	301667	Barotuan National High School	EL NIDO (BACUIT)	Housekeeping (NC II)	2
Region IV-B	Palawan	301688	Cuyo National High School	CUYO	Housekeeping (NC II)	2
Region IV-B	Palawan	301685	Borac National High School	CORON	Housekeeping (NC II)	2
Region IV-B	Palawan	301705	Magara School for Philippine Craftsmen	ROXAS	Housekeeping (NC II)	1
Region IV-B	Palawan	342752	Central Taytay Senior High School	TAYTAY	Housekeeping (NC II)	1
Region IV-B	Palawan	301693	El Nido National High School	EL NIDO (BACUIT)	Housekeeping (NC II)	1
Region IV-B	Palawan	301699	Gov. Alfredo Abueg Sr. National Technological High School	BROOKE'S POINT	Housekeeping (NC II)	1
Region IV-B	Palawan	301726	Quezon National High School	QUEZON	Housekeeping (NC II)	1
Region IV-B	Palawan	301668	Bataraza National High School	BATARAZA	Organic Agriculture (NC II)	2
Region IV-B	Palawan	301666	Balabac National High School	BALABAC	Organic Agriculture (NC II)	1
Region IV-B	Palawan	301702	Jose P. Rizal National High School	RIZAL (MARCOS)	Organic Agriculture (NC II)	1
Region IV-B	Palawan	301722	Plaridel National High School	ABORLAN	Organic Agriculture (NC II)	1
Region IV-B	Palawan	301724	Princess Urduja National High School	NARRA	Organic Agriculture (NC II)	1
Region IV-B	Palawan	301704	Maasin National High School (Bernas National High School)	BROOKE'S POINT	Organic Agriculture (NC II)	1
Region IV-B	Palawan	309109	Bacao National High School (Dumaran National High School)	DUMARAN	Organic Agriculture (NC II)	1
Region IV-B	Palawan	301661	Apurawan National High School	ABORLAN	Organic Agriculture (NC II)	1
Region IV-B	Palawan	309107	PANCOL NATIONAL HIGH SCHOOL - BANGALANG	TAYTAY	Organic Agriculture (NC II)	1
Region IV-B	Palawan	309146	Panalingaan National High School	RIZAL (MARCOS)	Organic Agriculture (NC II)	1
Region IV-B	Palawan	309160	Canipaan National High School	RIZAL (MARCOS)	Organic Agriculture (NC II)	1
Region IV-B	Palawan	301713	New Ibajay National High School	EL NIDO (BACUIT)	Organic Agriculture (NC II)	1
Region IV-B	Palawan	301680	Candawaga National High School	RIZAL (MARCOS)	Organic Agriculture (NC II)	1
Region IV-B	Palawan	301725	Pulot National High School	SOFRONIO ESPAÑOLA	Shielded Metal Arc Welding (NC I and NC II)	1
Region IV-B	Palawan	301702	Jose P. Rizal National High School	RIZAL (MARCOS)	Shielded Metal Arc Welding (NC I and NC II)	1
Region IV-B	Palawan	301726	Quezon National High School	QUEZON	Shielded Metal Arc Welding (NC I and NC II)	1
Region IV-B	Palawan	301680	Candawaga National High School	RIZAL (MARCOS)	Shielded Metal Arc Welding (NC I and NC II)	1
Region IV-B	Palawan	301730	Rio Tuba National High School	BATARAZA	Shielded Metal Arc Welding (NC I and NC II)	1
Region IV-B	Palawan	301671	Brooke's Point National High School - Palawan	BROOKE'S POINT	Shielded Metal Arc Welding (NC I and NC II)	1
Region IV-B	Palawan	301739	Sandoval National High School	NARRA	Shielded Metal Arc Welding (NC I and NC II)	1
Region IV-B	Palawan	301705	Magara School for Philippine Craftsmen	ROXAS	Shielded Metal Arc Welding (NC I and NC II)	1
Region IV-B	Palawan	301667	Barotuan National High School	EL NIDO (BACUIT)	Travel Services (NC II)	2



DEPARTMENT OF EDUCATION
 BUREAU OF LEARNING RESOURCES
 FY 2018 TVL Tools and Equipment Allocation List

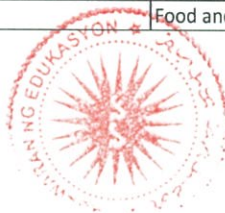
Lot No. 3 Mass Production

Region	Division	School_id	School_name	Municipality	Program/Specialization (EBEIS)	2018 No. of Packages
Region IV-B	Palawan	301685	Borac National High School	CORON	Travel Services (NC II)	2
Region IV-B	Palawan	301693	El Nido National High School	EL NIDO (BACUIT)	Travel Services (NC II)	2
Region IV-B	Palawan	301738	San Vicente National High School	SAN VICENTE	Travel Services (NC II)	2
Region IV-B	Palawan	301699	Gov. Alfredo Abueg Sr. National Technol	BROOKE'S POINT	Travel Services (NC II)	1
Region IV-B	Palawan	301734	Salvacion National High School	BUSUANGA	Travel Services (NC II)	1
Region IV-B	Palawan	301705	Magara School for Philippine Craftsmen	ROXAS	Travel Services (NC II)	1
Region IV-B	Puerto Princesa C	309301	PALAWAN NATIONAL SCHOOL	PUERTO PRINCESA CITY (Capi	Food and Beverage Services (NC II)	2
Region IV-B	Puerto Princesa C	301793	San Jose NHS	PUERTO PRINCESA CITY (Capi	Food and Beverage Services (NC II)	1
Region IV-B	Puerto Princesa C	301780	Bahile NHS	PUERTO PRINCESA CITY (Capi	Food and Beverage Services (NC II)	1
Region IV-B	Puerto Princesa C	301796	Sicsican NHS	PUERTO PRINCESA CITY (Capi	Food and Beverage Services (NC II)	1
Region IV-B	Puerto Princesa C	301789	Mangingisda NHS	PUERTO PRINCESA CITY (Capi	Food and Beverage Services (NC II)	1
Region IV-B	Puerto Princesa C	301780	Bahile NHS	PUERTO PRINCESA CITY (Capi	Housekeeping (NC II)	1
Region IV-B	Puerto Princesa C	301789	Mangingisda NHS	PUERTO PRINCESA CITY (Capi	Housekeeping (NC II)	1
Region IV-B	Puerto Princesa C	301796	Sicsican NHS	PUERTO PRINCESA CITY (Capi	Organic Agriculture (NC II)	1
Region IV-B	Puerto Princesa C	309301	PALAWAN NATIONAL SCHOOL	PUERTO PRINCESA CITY (Capi	Tailoring (NC II)	2
Region IV-B	Puerto Princesa C	301796	Sicsican NHS	PUERTO PRINCESA CITY (Capi	Tailoring (NC II)	1
Region IV-B	Puerto Princesa C	301793	San Jose NHS	PUERTO PRINCESA CITY (Capi	Tailoring (NC II)	1
Region IV-B	Romblon	301768	Magdiwang NHS	MAGDIWANG	Cookery (NC II)	2
Region IV-B	Romblon	301766	Mabini NHS	CORCUERA	Cookery (NC II)	1
Region IV-B	Romblon	301761	Ferrol National High School	FERROL	Cookery (NC II)	1
Region IV-B	Romblon	301768	Magdiwang NHS	MAGDIWANG	Food and Beverage Services (NC II)	2
Region IV-B	Romblon	301765	LOOC NATIONAL HIGH SCHOOL	LOOC	Food and Beverage Services (NC II)	2
Region IV-B	Romblon	301766	Mabini NHS	CORCUERA	Food and Beverage Services (NC II)	1
Region IV-B	Romblon	301761	Ferrol National High School	FERROL	Food and Beverage Services (NC II)	1
Region IX	Dapitan City	303880	Dapitan City National High School	DAPITAN CITY	Cookery (NC II)	2
Region IX	Dapitan City	303878	Baylimango NHS	DAPITAN CITY	Cookery (NC II)	1
Region IX	Dapitan City	303884	Sulangon NHS	DAPITAN CITY	Cookery (NC II)	1
Region IX	Dapitan City	303878	Baylimango NHS	DAPITAN CITY	Food and Beverage Services (NC II)	1
Region IX	Dapitan City	303884	Sulangon NHS	DAPITAN CITY	Food and Beverage Services (NC II)	1
Region IX	Dipolog City	303890	Pamansalan Eco. Tech. HS	DIPOLOG CITY (Capital)	Agricultural Crops Production (NC II)	1
Region IX	Dipolog City	303885	Alfredo Q. Usay Mem. Agro-Tech. I. Sci. H	DIPOLOG CITY (Capital)	Aquaculture (NC II)	1
Region IX	Dipolog City	303893	Zamboanga Norte NHS	DIPOLOG CITY (Capital)	Cookery (NC II)	2
Region IX	Dipolog City	303893	Zamboanga Norte NHS	DIPOLOG CITY (Capital)	Food and Beverage Services (NC II)	2

DEPARTMENT OF EDUCATION
BUREAU OF LEARNING RESOURCES
FY 2018 TVL Tools and Equipment Allocation List

Lot No. 3 Mass Production

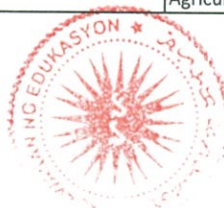
Region	Division	School_id	School_name	Municipality	Program/Specialization (EBEIS)	2018 No. of Packages
Region IX	Zamboanga City	303921	Curuan NHS	ZAMBOANGA CITY	Food and Beverage Services (NC II)	1
Region IX	Zamboanga City	345869	ZNHS West-Baliwasan Senior High School	ZAMBOANGA CITY	Food and Beverage Services (NC II)	1
Region IX	Zamboanga City	303930	Sangali NHS	ZAMBOANGA CITY	Housekeeping (NC II)	2
Region IX	Zamboanga City	303914	Arena Blanco NHS	ZAMBOANGA CITY	Housekeeping (NC II)	1
Region IX	Zamboanga City	303939	Vitali NHS	ZAMBOANGA CITY	Organic Agriculture (NC II)	1
Region IX	Zamboanga City	303915	Ayala NHS	ZAMBOANGA CITY	Shielded Metal Arc Welding (NC I)	1
Region IX	Zamboanga del N	303703	Kipit Agro-Fishery NHS	LABASON	Aquaculture (NC II)	1
Region IX	Zamboanga del N	303745	Tampilisan NHS	TAMPILISAN	Cookery (NC II)	2
Region IX	Zamboanga del N	303710	Manukan NHS	MANUKAN	Cookery (NC II)	2
Region IX	Zamboanga del N	303708	Malayal NHS	SIBUCO	Cookery (NC II)	1
Region IX	Zamboanga del N	303689	Julian Soriano Memorial Comprehensive	SIOCON	Cookery (NC II)	1
Region IX	Zamboanga del N	303716	Polanco NHS	POLANCO	Cookery (NC II)	1
Region IX	Zamboanga del N	303721	Salug National High School	SALUG	Cookery (NC II)	1
Region IX	Zamboanga del N	303689	Julian Soriano Memorial Comprehensive	SIOCON	Dressmaking (NC II)	1
Region IX	Zamboanga del N	303738	SINDANGAN NATIONAL AGRICULTURAL	SINDANGAN	Dressmaking (NC II)	1
Region IX	Zamboanga del N	303696	Katipunan National High School	KATIPUNAN	Food and Beverage Services (NC II)	2
Region IX	Zamboanga del N	303745	Tampilisan NHS	TAMPILISAN	Food and Beverage Services (NC II)	2
Region IX	Zamboanga del N	303710	Manukan NHS	MANUKAN	Food and Beverage Services (NC II)	2
Region IX	Zamboanga del N	303740	Siocon National High School	SIOCON	Food and Beverage Services (NC II)	1
Region IX	Zamboanga del N	303708	Malayal NHS	SIBUCO	Food and Beverage Services (NC II)	1
Region IX	Zamboanga del N	303716	Polanco NHS	POLANCO	Food and Beverage Services (NC II)	1
Region IX	Zamboanga del N	303721	Salug National High School	SALUG	Food and Beverage Services (NC II)	1
Region IX	Zamboanga del N	303713	Mutia NHS	MUTIA	Horticulture (NC II)	1
Region IX	Zamboanga del N	303706	Liloy National High School	LILOY	Horticulture (NC II)	1
Region IX	Zamboanga del N	303710	Manukan NHS	MANUKAN	Shielded Metal Arc Welding (NC I and NC II)	1
Region IX	Zamboanga del N	303716	Polanco NHS	POLANCO	Shielded Metal Arc Welding (NC I and NC II)	1
Region IX	Zamboanga del N	303684	GODOD NATIONAL HIGH SCHOOL	GODOD	Shielded Metal Arc Welding (NC I and NC II)	1
Region IX	Zamboanga del N	303706	Liloy National High School	LILOY	Shielded Metal Arc Welding (NC II)	1
Region IX	Zamboanga del S	303808	Rebokon AVHS	DUMALINAO	Agricultural Crops Production (NC I)	1
Region IX	Zamboanga del S	303782	Kabatan National High School	VINCENZO A. SAGUN	Cookery (NC II)	2
Region IX	Zamboanga del S	303778	Guipos NHS	GUIPOS	Cookery (NC II)	2
Region IX	Zamboanga del S	303819	Tambulig NHS	TAMBULIG	Cookery (NC II)	2
Region IX	Zamboanga del S	303817	Sominot National High School	SOMINOT (DON MARIANO M	Cookery (NC II)	1
Region IX	Zamboanga del S	303813	San Pablo NHS	SAN PABLO	Cookery (NC II)	1
Region IX	Zamboanga del S	303783	Kalian NHS	MARGOSATUBIG	Cookery (NC II)	1
Region IX	Zamboanga del S	303811	Tukuran Tech. Voc'l. HS	TUKURAN	Cookery (NC II)	1
Region IX	Zamboanga del S	303784	Kumalarang NHS	KUMALARANG	Cookery (NC II)	1
Region IX	Zamboanga del S	303774	Dumalinao NHS	DUMALINAO	Cookery (NC II)	1
Region IX	Zamboanga del S	314228	Sapa Anding NHS - Ramon Magsaysay Ex	RAMON MAGSAYSAY (LIARGO	Cookery (NC II)	1
Region IX	Zamboanga del S	303780	Aurora National High School	AURORA	Cookery (NC II)	1
Region IX	Zamboanga del S	303822	Toribio Minor NHS	MARGOSATUBIG	Cookery (NC II)	1
Region IX	Zamboanga del S	303792	Leonardo NHS	JOSEFINA	Cookery (NC II)	1
Region IX	Zamboanga del S	303803	Mahayag School of Arts and Trade (Mah	MAHAYAG	Cookery (NC II)	1
Region IX	Zamboanga del S	303796	Midsalip NHS- Main	MIDSALIP	Cookery (NC II)	1
Region IX	Zamboanga del S	303804	Paulino Dari NHS	PITOGO	Cookery (NC II)	1
Region IX	Zamboanga del S	303757	Bayog NHS	BAYOG	Cookery (NC II)	1
Region IX	Zamboanga del S	303771	Dinas NHS	DINAS	Dressmaking (NC II)	1
Region IX	Zamboanga del S	303811	Tukuran Tech. Voc'l. HS	TUKURAN	Dressmaking (NC II)	1
Region IX	Zamboanga del S	303757	Bayog NHS	BAYOG	Dressmaking (NC II)	1
Region IX	Zamboanga del S	303766	Commonwealth NHS	AURORA	Dressmaking (NC II)	1
Region IX	Zamboanga del S	303782	Kabatan National High School	VINCENZO A. SAGUN	Food and Beverage Services (NC II)	2
Region IX	Zamboanga del S	303778	Guipos NHS	GUIPOS	Food and Beverage Services (NC II)	2



DEPARTMENT OF EDUCATION
BUREAU OF LEARNING RESOURCES
FY 2018 TVL Tools and Equipment Allocation List

Lot No. 3 Mass Production

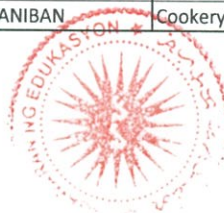
Region	Division	School_id	School_name	Municipality	Program/Specialization (EBEIS)	2018 No. of Packages
Region IX	Zamboanga del Si	303811	Tukuran Tech. Voc'l. HS	TUKURAN	Food and Beverage Services (NC II)	2
Region IX	Zamboanga del Si	303813	San Pablo NHS	SAN PABLO	Food and Beverage Services (NC II)	1
Region IX	Zamboanga del Si	303784	Kumalarang NHS	KUMALARANG	Food and Beverage Services (NC II)	1
Region IX	Zamboanga del Si	303774	Dumalinao NHS	DUMALINAO	Food and Beverage Services (NC II)	1
Region IX	Zamboanga del Si	314228	Sapa Anding NHS - Ramon Magsaysay Ex	RAMON MAGSAYSAY (LIARGO)	Food and Beverage Services (NC II)	1
Region IX	Zamboanga del Si	303753	Antonio NHS	TIGBAO	Horticulture (NC II)	1
Region IX	Zamboanga del Si	303792	Leonardo NHS	JOSEFINA	Horticulture (NC II)	1
Region IX	Zamboanga del Si	303769	Culabay NHS	TABINA	Shielded Metal Arc Welding (NC I and NC II)	2
Region IX	Zamboanga del Si	303791	Betinan NHS	SAN MIGUEL	Shielded Metal Arc Welding (NC I and NC II)	1
Region IX	Zamboanga del Si	303757	Bayog NHS	BAYOG	Shielded Metal Arc Welding (NC I and NC II)	1
Region IX	Zamboanga del Si	303784	Kumalarang NHS	KUMALARANG	Shielded Metal Arc Welding (NC I and NC II)	1
Region IX	Zamboanga del Si	303797	Molave Vocational Technical School	MOLAVE	Shielded Metal Arc Welding (NC I and NC II)	1
Region IX	Zamboanga del Si	303823	Tubod NHS	LAKEWOOD	Shielded Metal Arc Welding (NC I and NC II)	1
Region IX	Zamboanga del Si	303783	Kalian NHS	MARGOSATUBIG	Shielded Metal Arc Welding (NC I and NC II)	1
Region IX	Zamboanga del Si	303771	Dinas NHS	DINAS	Shielded Metal Arc Welding (NC I and NC II)	1
Region IX	Zamboanga del Si	303770	Dimataling National High School	DIMATALING	Shielded Metal Arc Welding (NC I and NC II)	1
Region IX	Zamboanga del Si	303804	Paulino Dari NHS	PITOGO	Shielded Metal Arc Welding (NC I)	1
Region IX	Zamboanga del Si	303817	Sominot National High School	SOMINOT (DON MARIANO M)	Tailoring (NC II)	1
Region IX	Zamboanga del Si	303757	Bayog NHS	BAYOG	Tailoring (NC II)	1
Region IX	Zamboanga Sibug	303852	Mabuhay NHS	MABUHAY	Cookery (NC II)	2
Region IX	Zamboanga Sibug	303837	Imelda NHS	IMELDA	Cookery (NC II)	1
Region IX	Zamboanga Sibug	303861	Sta. Clara NHS	NAGA	Cookery (NC II)	1
Region IX	Zamboanga Sibug	303872	Titay NHS	TITAY	Cookery (NC II)	1
Region IX	Zamboanga Sibug	303829	Buug NHS	BUUG	Cookery (NC II)	1
Region IX	Zamboanga Sibug	303838	Ipil NHS	IPIL	Cookery (NC II)	1
Region IX	Zamboanga Sibug	303874	Tungawan NHS	TUNGAWAN	Cookery (NC II)	1
Region IX	Zamboanga Sibug	303845	Malangas NHS	MALANGAS	Cookery (NC II)	1
Region IX	Zamboanga Sibug	303851	Olutanga NHS	OLUTANGA	Cookery (NC II)	1
Region IX	Zamboanga Sibug	303837	Imelda NHS	IMELDA	Dressmaking (NC II)	1
Region IX	Zamboanga Sibug	303839	Kabasalan NHS	KABASALAN	Dressmaking (NC II)	1
Region IX	Zamboanga Sibug	303866	Surabay NHS	ROSELLER LIM	Dressmaking (NC II)	1
Region IX	Zamboanga Sibug	303828	Diplahan NHS	DIPLAHAN	Food and Beverage Services (NC II)	2
Region IX	Zamboanga Sibug	303852	Mabuhay NHS	MABUHAY	Food and Beverage Services (NC II)	2
Region IX	Zamboanga Sibug	303839	Kabasalan NHS	KABASALAN	Food and Beverage Services (NC II)	1
Region IX	Zamboanga Sibug	303872	Titay NHS	TITAY	Food and Beverage Services (NC II)	1
Region IX	Zamboanga Sibug	303829	Buug NHS	BUUG	Food and Beverage Services (NC II)	1
Region IX	Zamboanga Sibug	303838	Ipil NHS	IPIL	Food and Beverage Services (NC II)	1
Region IX	Zamboanga Sibug	303874	Tungawan NHS	TUNGAWAN	Food and Beverage Services (NC II)	1
Region IX	Zamboanga Sibug	303845	Malangas NHS	MALANGAS	Food and Beverage Services (NC II)	1
Region IX	Zamboanga Sibug	303851	Olutanga NHS	OLUTANGA	Food and Beverage Services (NC II)	1
Region IX	Zamboanga Sibug	303856	Payao NHS	PAYAO	Food and Beverage Services (NC II)	1
Region IX	Zamboanga Sibug	303866	Surabay NHS	ROSELLER LIM	Food and Beverage Services (NC II)	1
Region IX	Zamboanga Sibug	303874	Tungawan NHS	TUNGAWAN	Horticulture (NC II)	1
Region IX	Zamboanga Sibug	303837	Imelda NHS	IMELDA	Horticulture (NC II)	1
Region IX	Zamboanga Sibug	303866	Surabay NHS	ROSELLER LIM	Housekeeping (NC II)	1
Region IX	Zamboanga Sibug	303866	Surabay NHS	ROSELLER LIM	Organic Agriculture (NC II)	1
Region IX	Zamboanga Sibug	303866	Surabay NHS	ROSELLER LIM	Shielded Metal Arc Welding (NC I and NC II)	1
Region IX	Zamboanga Sibug	303872	Titay NHS	TITAY	Shielded Metal Arc Welding (NC I and NC II)	1
Region IX	Zamboanga Sibug	303824	Alicia NHS	ALICIA	Shielded Metal Arc Welding (NC I and NC II)	1
Region IX	Zamboanga Sibug	303836	Guintolan NHS	PAYAO	Shielded Metal Arc Welding (NC I)	1
Region IX	Zamboanga Sibug	303839	Kabasalan NHS	KABASALAN	Shielded Metal Arc Welding (NC II)	1
Region V	Albay	309507	Manuel Andaya Bustamante High School	OAS	Agricultural Crops Production (NC I)	1



DEPARTMENT OF EDUCATION
BUREAU OF LEARNING RESOURCES
FY 2018 TVL Tools and Equipment Allocation List

Lot No. 3 Mass Production

Region	Division	School_id	School_name	Municipality	Program/Specialization (EBEIS)	2018 No. of Packages
Region V	Albay	301863	Pili National High School	BACACAY	Aquaculture (NC II)	1
Region V	Albay	301849	Marcial O. Rañola Memorial School	GUINOBATAN	Cookery (NC II)	2
Region V	Albay	301865	Polangui General Comprehensive High School	POLANGUI	Cookery (NC II)	2
Region V	Albay	301879	Sto. Domingo National High School	SANTO DOMINGO (LIBOG)	Cookery (NC II)	2
Region V	Albay	301853	Naga National High School	TIWI	Cookery (NC II)	2
Region V	Albay	301864	Pio Duran National High School	PIO DURAN	Cookery (NC II)	2
Region V	Albay	309516	Malidong National High School	PIO DURAN	Cookery (NC II)	1
Region V	Albay	301875	San Jose National High School	MALILIPOT	Cookery (NC II)	1
Region V	Albay	301848	Maramba National High School	OAS	Cookery (NC II)	1
Region V	Albay	309502	San Pablo High School	BACACAY	Cookery (NC II)	1
Region V	Albay	301885	Vinisitahan National High School	BACACAY	Cookery (NC II)	1
Region V	Albay	301856	San Juan High School	OAS	Cookery (NC II)	1
Region V	Albay	309509	Bilbao National High School	RAPU-RAPU	Cookery (NC II)	1
Region V	Albay	301881	Joroan High School	TIWI	Cookery (NC II)	1
Region V	Albay	301841	Malabog National High School	DARAGA (LOCSIN)	Cookery (NC II)	1
Region V	Albay	301869	Rapu-Rapu National High School	RAPU-RAPU	Cookery (NC II)	1
Region V	Albay	301868	Ponso National HS	POLANGUI	Cookery (NC II)	1
Region V	Albay	301880	Tiwi Agro-Industrial School	TIWI	Dressmaking (NC II)	1
Region V	Albay	301879	Sto. Domingo National High School	SANTO DOMINGO (LIBOG)	Food and Beverage Services (NC II)	2
Region V	Albay	301853	Naga National High School	TIWI	Food and Beverage Services (NC II)	2
Region V	Albay	301864	Pio Duran National High School	PIO DURAN	Food and Beverage Services (NC II)	2
Region V	Albay	309516	Malidong National High School	PIO DURAN	Food and Beverage Services (NC II)	1
Region V	Albay	301875	San Jose National High School	MALILIPOT	Food and Beverage Services (NC II)	1
Region V	Albay	301848	Maramba National High School	OAS	Food and Beverage Services (NC II)	1
Region V	Albay	301880	Tiwi Agro-Industrial School	TIWI	Food and Beverage Services (NC II)	1
Region V	Albay	309502	San Pablo High School	BACACAY	Food and Beverage Services (NC II)	1
Region V	Albay	301885	Vinisitahan National High School	BACACAY	Food and Beverage Services (NC II)	1
Region V	Albay	301856	San Juan High School	OAS	Food and Beverage Services (NC II)	1
Region V	Albay	309509	Bilbao National High School	RAPU-RAPU	Food and Beverage Services (NC II)	1
Region V	Albay	301881	Joroan High School	TIWI	Food and Beverage Services (NC II)	1
Region V	Albay	301841	Malabog National High School	DARAGA (LOCSIN)	Food and Beverage Services (NC II)	1
Region V	Albay	301869	Rapu-Rapu National High School	RAPU-RAPU	Food and Beverage Services (NC II)	1
Region V	Albay	301876	San Isidro National High School	MALILIPOT	Food and Beverage Services (NC II)	1
Region V	Albay	309515	Malilipot National High School	MALILIPOT	Food and Beverage Services (NC II)	1
Region V	Albay	301851	Masarawag National High School	GUINOBATAN	Food and Beverage Services (NC II)	1
Region V	Albay	301833	Libon Agro-Industrial High School	LIBON	Horticulture (NC II)	1
Region V	Albay	301851	Masarawag National High School	GUINOBATAN	Horticulture (NC II)	1
Region V	Albay	301850	Lower Binogsacan National High School	GUINOBATAN	Horticulture (NC II)	1
Region V	Albay	301866	Balogo National High School	OAS	Horticulture (NC II)	1
Region V	Albay	301842	Malipo National High School	GUINOBATAN	Horticulture (NC II)	1
Region V	Albay	301880	Tiwi Agro-Industrial School	TIWI	Horticulture (NC II)	1
Region V	Albay	309507	Manuel Andaya Bustamante High School	OAS	Organic Agriculture (NC II)	1
Region V	Albay	301868	Ponso National HS	POLANGUI	Organic Agriculture (NC II)	1
Region V	Albay	301865	Polangui General Comprehensive High School	POLANGUI	Shielded Metal Arc Welding (NC I and NC II)	1
Region V	Camarines Norte	500030	Moreno Integrated School	DAET (Capital)	Cookery (NC II)	2
Region V	Camarines Norte	301910	PARACALE NATIONAL HIGH SCHOOL	PARACALE	Cookery (NC II)	2
Region V	Camarines Norte	301925	Vinzons Pilot High School	VINZONS	Cookery (NC II)	1
Region V	Camarines Norte	301894	Labo Science and Tech. HS	LABO	Cookery (NC II)	1
Region V	Camarines Norte	301896	Gonzalo Aler NHS	CAPALONGA	Cookery (NC II)	1
Region V	Camarines Norte	301886	Bagong Silang I HS	LABO	Cookery (NC II)	1
Region V	Camarines Norte	301890	Batobalani National High School	PARACALE	Cookery (NC II)	1
Region V	Camarines Norte	301920	Sta. Cruz NHS	JOSE PANGANIBAN	Cookery (NC II)	1



DEPARTMENT OF EDUCATION
BUREAU OF LEARNING RESOURCES
FY 2018 TVL Tools and Equipment Allocation List

Lot No. 3 Mass Production

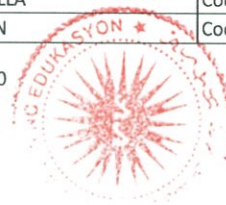
Region	Division	School_id	School_name	Municipality	Program/Specialization (EBEIS)	2018 No. of Packages
Region V	Camarines Norte	500030	Moreno Integrated School	DAET (Capital)	Food and Beverage Services (NC II)	2
Region V	Camarines Norte	301910	PARACALE NATIONAL HIGH SCHOOL	PARACALE	Food and Beverage Services (NC II)	2
Region V	Camarines Norte	301925	Vinzons Pilot High School	VINZONS	Food and Beverage Services (NC II)	1
Region V	Camarines Norte	301894	Labo Science and Tech. HS	LABO	Food and Beverage Services (NC II)	1
Region V	Camarines Norte	301896	Gonzalo Aler NHS	CAPALONGA	Food and Beverage Services (NC II)	1
Region V	Camarines Norte	301886	Bagong Silang I HS	LABO	Food and Beverage Services (NC II)	1
Region V	Camarines Norte	301890	Batobalani National High School	PARACALE	Food and Beverage Services (NC II)	1
Region V	Camarines Norte	301920	Sta. Cruz NHS	JOSE PANGANIBAN	Food and Beverage Services (NC II)	1
Region V	Camarines Norte	301922	Tulay Na Lupa National High School	LABO	Food and Beverage Services (NC II)	1
Region V	Camarines Norte	301889	Basud National High School	BASUD	Housekeeping (NC II)	1
Region V	Camarines Norte	301923	Talobatib HS	LABO	Organic Agriculture (NC II)	1
Region V	Camarines Norte	301889	Basud National High School	BASUD	Organic Agriculture (NC II)	1
Region V	Camarines Norte	301903	San Lorenzo Ruiz National High School	SAN LORENZO RUIZ (IMELDA)	Organic Agriculture (NC II)	1
Region V	Camarines Norte	301898	Jose Panganiban NHS	JOSE PANGANIBAN	Organic Agriculture (NC II)	1
Region V	Camarines Norte	301891	Camarines Norte National HS	DAET (Capital)	Organic Agriculture (NC II)	1
Region V	Camarines Norte	500030	Moreno Integrated School	DAET (Capital)	Organic Agriculture (NC II)	1
Region V	Camarines Norte	301891	Camarines Norte National HS	DAET (Capital)	Tailoring (NC II)	1
Region V	Camarines Norte	301889	Basud National High School	BASUD	Tailoring (NC II)	1
Region V	Camarines Norte	302033	San Isidro National High School	LIBMANAN	Cookery (NC II)	2
Region V	Camarines Sur	309731	Antipolo HS, Minalabac	MINALABAC	Cookery (NC II)	2
Region V	Camarines Sur	309705	Pinamasagan National High School	SAN FERNANDO	Cookery (NC II)	1
Region V	Camarines Sur	301964	Dalupaon National High School	PASACAO	Cookery (NC II)	1
Region V	Camarines Sur	302003	Victor Bernal High School	NABUA	Cookery (NC II)	1
Region V	Camarines Sur	301944	Binagasbasan NHS	GARCHITORENA	Cookery (NC II)	1
Region V	Camarines Sur	302033	San Isidro National High School	LIBMANAN	Food and Beverage Services (NC II)	2
Region V	Camarines Sur	309731	Antipolo HS, Minalabac	MINALABAC	Food and Beverage Services (NC II)	2
Region V	Camarines Sur	301964	Dalupaon National High School	PASACAO	Food and Beverage Services (NC II)	1
Region V	Camarines Sur	302003	Victor Bernal High School	NABUA	Food and Beverage Services (NC II)	1
Region V	Camarines Sur	301944	Binagasbasan NHS	GARCHITORENA	Food and Beverage Services (NC II)	1
Region V	Camarines Sur	302064	Tomas A. Andaya, Sr. National High School	RAGAY	Food and Beverage Services (NC II)	1
Region V	Camarines Sur	309731	Antipolo HS, Minalabac	MINALABAC	Horticulture (NC II)	1
Region V	Camarines Sur	309758	Eduardo V. Agomaa National High School	LIBMANAN	Housekeeping (NC II)	1
Region V	Camarines Sur	302068	Villazar National High School	SIPOCOT	Shielded Metal Arc Welding (NC I)	1
Region V	Camarines Sur	302034	Magarao NHS (formerly: San Isidro NHS)	MAGARAO	Shielded Metal Arc Welding (NC I)	1
Region V	Catanduanes	302083	Catanduanes NHS	VIRAC (Capital)	Cookery (NC II)	2
Region V	Catanduanes	302096	San Andres Vocational School	SAN ANDRES (CALOLBON)	Cookery (NC II)	2
Region V	Catanduanes	302081	Caramoran Rural Development High School	CARAMORAN	Cookery (NC II)	2
Region V	Catanduanes	302084	Calatagan High School	VIRAC (Capital)	Cookery (NC II)	2
Region V	Catanduanes	302104	Tambogñon NHS	VIGA	Cookery (NC II)	2
Region V	Catanduanes	302074	Bato Rural Development High School	BATO	Cookery (NC II)	1
Region V	Catanduanes	302093	Palta NHS	VIRAC (Capital)	Cookery (NC II)	1
Region V	Catanduanes	302078	Cabcab NHS	SAN ANDRES (CALOLBON)	Cookery (NC II)	1
Region V	Catanduanes	500031	Buyo Integrated School	VIRAC (Capital)	Cookery (NC II)	1
Region V	Catanduanes	302097	San Jose NHS	VIGA	Cookery (NC II)	1
Region V	Catanduanes	302106	Tubli National High School	CARAMORAN	Cookery (NC II)	1
Region V	Catanduanes	302096	San Andres Vocational School	SAN ANDRES (CALOLBON)	Dressmaking (NC II)	2
Region V	Catanduanes	302072	Bagamanoc Rural DHS	BAGAMANOC	Dressmaking (NC II)	1
Region V	Catanduanes	302092	Mayngaway NHS	SAN ANDRES (CALOLBON)	Dressmaking (NC II)	1
Region V	Catanduanes	302096	San Andres Vocational School	SAN ANDRES (CALOLBON)	Food and Beverage Services (NC II)	2
Region V	Catanduanes	302081	Caramoran Rural Development High School	CARAMORAN	Food and Beverage Services (NC II)	2
Region V	Catanduanes	302084	Calatagan High School	VIRAC (Capital)	Food and Beverage Services (NC II)	2
Region V	Catanduanes	302073	Baras Rural DHS	BARAS	Food and Beverage Services (NC II)	2



DEPARTMENT OF EDUCATION
BUREAU OF LEARNING RESOURCES
FY 2018 TVL Tools and Equipment Allocation List

Lot No. 3 Mass Production

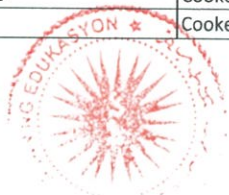
Region	Division	School_id	School_name	Municipality	Program/Specialization (EBEIS)	2018 No. of Packages
Region V	Catanduanes	302072	Bagamanoc Rural DHS	BAGAMANOC	Food and Beverage Services (NC II)	1
Region V	Catanduanes	302074	Bato Rural Development High School	BATO	Food and Beverage Services (NC II)	1
Region V	Catanduanes	302103	Leandro I. Verceles Sr. NHS	PANDAN	Food and Beverage Services (NC II)	1
Region V	Catanduanes	302093	Palta NHS	VIRAC (Capital)	Food and Beverage Services (NC II)	1
Region V	Catanduanes	302078	Cabcab NHS	SAN ANDRES (CALOLBON)	Food and Beverage Services (NC II)	1
Region V	Catanduanes	500031	Buyo Integrated School	VIRAC (Capital)	Food and Beverage Services (NC II)	1
Region V	Catanduanes	302102	Supang-Datag National High School	CARAMORAN	Food and Beverage Services (NC II)	1
Region V	Catanduanes	302097	San Jose NHS	VIGA	Food and Beverage Services (NC II)	1
Region V	Catanduanes	302106	Tubli National High School	CARAMORAN	Food and Beverage Services (NC II)	1
Region V	Catanduanes	302088	Gigmoto Rural DHS	GIGMOTO	Food and Beverage Services (NC II)	1
Region V	Catanduanes	302092	Mayngaway NHS	SAN ANDRES (CALOLBON)	Horticulture (NC II)	1
Region V	Catanduanes	302104	Tambogñon NHS	VIGA	Housekeeping (NC II)	2
Region V	Catanduanes	302102	Supang-Datag National High School	CARAMORAN	Housekeeping (NC II)	1
Region V	Catanduanes	302096	San Andres Vocational School	SAN ANDRES (CALOLBON)	Housekeeping (NC II)	1
Region V	Catanduanes	309801	Panganiban NHS (CAIC Compound)	PANGANIBAN (PAYO)	Organic Agriculture (NC II)	1
Region V	Catanduanes	302094	Pandan SAT	PANDAN	Shielded Metal Arc Welding (NC I and NC II)	2
Region V	Catanduanes	302096	San Andres Vocational School	SAN ANDRES (CALOLBON)	Shielded Metal Arc Welding (NC I and NC II)	2
Region V	Catanduanes	302083	Catanduanes NHS	VIRAC (Capital)	Shielded Metal Arc Welding (NC I and NC II)	1
Region V	Catanduanes	302096	San Andres Vocational School	SAN ANDRES (CALOLBON)	Tailoring (NC II)	2
Region V	Iriga City	302249	Perpetual Help NHS	IRIGA CITY	Food and Beverage Services (NC II)	1
Region V	Iriga City	302251	Rinconada National Technical Vocational	IRIGA CITY	Gas Metal Arc Welding- GMAW (NC II)	1
Region V	Iriga City	302250	Sta. Maria HS	IRIGA CITY	Organic Agriculture (NC II)	1
Region V	Ligao City	301838	Bacong HS	CITY OF LIGAO	Shielded Metal Arc Welding (NC I and NC II)	1
Region V	Masbate	302147	Masbate School of Fisheries	MILAGROS	Cookery (NC II)	1
Region V	Masbate	302147	Masbate School of Fisheries	MILAGROS	Food and Beverage Services (NC II)	1
Region V	Masbate	309904	Palanas National Agriculture High School	PALANAS	Horticulture (NC II)	1
Region V	Masbate	302126	Tito R. Espinosa Memorial National Agricultural	CLAVERIA	Horticulture (NC II)	1
Region V	Masbate	302126	Tito R. Espinosa Memorial National Agricultural	CLAVERIA	Organic Agriculture (NC II)	1
Region V	Masbate City	302148	Masbate National Comprehensive High School	CITY OF MASBATE (Capital)	Cookery (NC II)	2
Region V	Masbate City	302133	Capitolina O. Legaspi Memorial High School	CITY OF MASBATE (Capital)	Cookery (NC II)	1
Region V	Masbate City	321802	Usab High School	CITY OF MASBATE (Capital)	Cookery (NC II)	1
Region V	Masbate City	302148	Masbate National Comprehensive High School	CITY OF MASBATE (Capital)	Food and Beverage Services (NC II)	2
Region V	Masbate City	302133	Capitolina O. Legaspi Memorial High School	CITY OF MASBATE (Capital)	Food and Beverage Services (NC II)	1
Region V	Masbate City	321802	Usab High School	CITY OF MASBATE (Capital)	Food and Beverage Services (NC II)	1
Region V	Masbate City	321804	Bayombon High School	CITY OF MASBATE (Capital)	Horticulture (NC II)	1
Region V	Masbate City	321805	Bantigue High School	CITY OF MASBATE (Capital)	Horticulture (NC II)	1
Region V	Masbate City	302133	Capitolina O. Legaspi Memorial High School	CITY OF MASBATE (Capital)	Shielded Metal Arc Welding (NC I and NC II)	1
Region V	Sorsogon	302212	Gallanosa National High School	IROSIN	Cookery (NC II)	2
Region V	Sorsogon	302214	Gubat National High School	GUBAT	Cookery (NC II)	2
Region V	Sorsogon	302190	Bulan NHS	BULAN	Cookery (NC II)	2
Region V	Sorsogon	302184	Barcelona National Comprehensive High School	BARCELONA	Cookery (NC II)	2
Region V	Sorsogon	302197	Casiguran Technical Vocational School	CASIGURAN	Cookery (NC II)	2
Region V	Sorsogon	302204	Donsol National Comprehensive HS	DONSOL	Cookery (NC II)	2
Region V	Sorsogon	302206	Donsol National Comprehensive HS - Sta	DONSOL	Cookery (NC II)	2
Region V	Sorsogon	302192	Bulusan NHS	BULUSAN	Cookery (NC II)	2
Region V	Sorsogon	302245	Sta. Magdalena National High School	SANTA MAGDALENA	Cookery (NC II)	1
Region V	Sorsogon	302237	San Francisco NHS	BULAN	Cookery (NC II)	1
Region V	Sorsogon	302201	Cumadcad NHS	CASTILLA	Cookery (NC II)	1
Region V	Sorsogon	302199	Buenavista NHS	CASTILLA	Cookery (NC II)	1
Region V	Sorsogon	302230	Pilar National Comprehensive HS	PILAR	Cookery (NC II)	1
Region V	Sorsogon	302202	Dinapa NHS	CASTILLA	Cookery (NC II)	1
Region V	Sorsogon	302211	Gabao NHS	IROSIN	Cookery (NC II)	1



DEPARTMENT OF EDUCATION
BUREAU OF LEARNING RESOURCES
FY 2018 TVL Tools and Equipment Allocation List

Lot No. 3 Mass Production

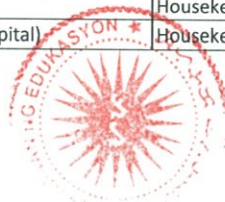
Region	Division	School_id	School_name	Municipality	Program/Specialization (EBEIS)	2018 No. of Packages
Region V	Sorsogon	302247	Talaonga National High School	SANTA MAGDALENA	Cookery (NC II)	1
Region V	Sorsogon	302236	Salvacion National High School	PILAR	Cookery (NC II)	1
Region V	Sorsogon	302200	Culasi NHS	MATNOG	Cookery (NC II)	1
Region V	Sorsogon	302182	Bagacay NHS	GUBAT	Cookery (NC II)	1
Region V	Sorsogon	302187	Juban National High School	JUBAN	Cookery (NC II)	1
Region V	Sorsogon	302188	Buhang National High School	BULUSAN	Cookery (NC II)	1
Region V	Sorsogon	302233	Quezon NHS	BULAN	Cookery (NC II)	1
Region V	Sorsogon	302238	Louella Gotladera Alcoba NHS	BULAN	Dressmaking (NC II)	1
Region V	Sorsogon	302190	Bulan NHS	BULAN	Dressmaking (NC II)	1
Region V	Sorsogon	302206	Donsol National Comprehensive HS - Sta	DONSOL	Food and Beverage Services (NC II)	2
Region V	Sorsogon	302245	Sta. Magdalena National High School	SANTA MAGDALENA	Food and Beverage Services (NC II)	1
Region V	Sorsogon	302237	San Francisco NHS	BULAN	Food and Beverage Services (NC II)	1
Region V	Sorsogon	302201	Cumadcad NHS	CASTILLA	Food and Beverage Services (NC II)	1
Region V	Sorsogon	302230	Pilar National Comprehensive HS	PILAR	Food and Beverage Services (NC II)	1
Region V	Sorsogon	302202	Dinapa NHS	CASTILLA	Food and Beverage Services (NC II)	1
Region V	Sorsogon	302215	Irosin North HS	IROSIN	Food and Beverage Services (NC II)	1
Region V	Sorsogon	302211	Gabao NHS	IROSIN	Food and Beverage Services (NC II)	1
Region V	Sorsogon	302247	Talaonga National High School	SANTA MAGDALENA	Food and Beverage Services (NC II)	1
Region V	Sorsogon	302236	Salvacion National High School	PILAR	Food and Beverage Services (NC II)	1
Region V	Sorsogon	302200	Culasi NHS	MATNOG	Food and Beverage Services (NC II)	1
Region V	Sorsogon	302182	Bagacay NHS	GUBAT	Food and Beverage Services (NC II)	1
Region V	Sorsogon	302187	Juban National High School	JUBAN	Food and Beverage Services (NC II)	1
Region V	Sorsogon	302188	Buhang National High School	BULUSAN	Food and Beverage Services (NC II)	1
Region V	Sorsogon	302233	Quezon NHS	BULAN	Food and Beverage Services (NC II)	1
Region V	Sorsogon	302222	Magallanes National High School	MAGALLANES	Food and Beverage Services (NC II)	1
Region V	Sorsogon	302207	Donsol Vocational HS	DONSOL	Food and Beverage Services (NC II)	1
Region V	Sorsogon	302202	Dinapa NHS	CASTILLA	Horticulture (NC II)	1
Region V	Sorsogon	302232	Prieto Diaz National High School	PRIETO DIAZ	Horticulture (NC II)	1
Region V	Sorsogon	302214	Gubat National High School	GUBAT	Horticulture (NC II)	1
Region V	Sorsogon	302230	Pilar National Comprehensive HS	PILAR	Horticulture (NC II)	1
Region V	Sorsogon	302190	Bulan NHS	BULAN	Horticulture (NC II)	1
Region V	Sorsogon	302194	Cabugao NHS	DONSOL	Horticulture (NC II)	1
Region V	Sorsogon	302237	San Francisco NHS	BULAN	Horticulture (NC II)	1
Region V	Sorsogon	302184	Barcelona National Comprehensive High	BARCELONA	Horticulture (NC II)	1
Region V	Sorsogon	302214	Gubat National High School	GUBAT	Shielded Metal Arc Welding (NC I and NC II)	1
Region V	Sorsogon	302236	Salvacion National High School	PILAR	Shielded Metal Arc Welding (NC I and NC II)	2
Region V	Sorsogon	302197	Casiguran Technical Vocational School	CASIGURAN	Shielded Metal Arc Welding (NC I and NC II)	1
Region V	Sorsogon	302220	Magallanes National Vocational HS	MAGALLANES	Shielded Metal Arc Welding (NC I and NC II)	1
Region V	Sorsogon	302192	Bulusan NHS	BULUSAN	Shielded Metal Arc Welding (NC I and NC II)	1
Region V	Sorsogon	302238	Louella Gotladera Alcoba NHS	BULAN	Tailoring (NC II)	1
Region V	Sorsogon	302190	Bulan NHS	BULAN	Tailoring (NC II)	1
Region V	Tabaco City	302285	Tabaco National High School	CITY OF TABACO	Cookery (NC II)	1
Region VI	Aklan	302310	Libacao National Forestry Vocational High	LIBACAO	Agricultural Crops Production (NC I)	1
Region VI	Aklan	302328	Ochando National High School	NEW WASHINGTON	Aquaculture (NC II)	1
Region VI	Aklan	302339	Unidos NHS	NABAS	Cookery (NC II)	2
Region VI	Aklan	310611	Manocmanoc National High School	MALAY	Cookery (NC II)	2
Region VI	Aklan	302327	Numancia National Sch. Of Fisheries	NUMANCIA	Cookery (NC II)	2
Region VI	Aklan	302322	Naisud NHS	IBAJAY	Cookery (NC II)	2
Region VI	Aklan	302324	Aklan NHS for Arts & Trades	KALIBO (Capital)	Cookery (NC II)	2
Region VI	Aklan	302315	Madalag NHS	MADALAG	Cookery (NC II)	2
Region VI	Aklan	302286	Altavas National School	ALTAVAS	Cookery (NC II)	2
Region VI	Aklan	302340	Union National High School	NABAS	Cookery (NC II)	2



DEPARTMENT OF EDUCATION
BUREAU OF LEARNING RESOURCES
FY 2018 TVL Tools and Equipment Allocation List

Lot No. 3 Mass Production

Region	Division	School_id	School_name	Municipality	Program/Specialization (EBEIS)	2018 No. of Packages
Region VI	Aklan	302310	Libacao National Forestry Vocational High School	LIBACAO	Cookery (NC II)	1
Region VI	Aklan	302297	Buruanga Vocational School	BURUANGA	Cookery (NC II)	1
Region VI	Aklan	302306	Daja Sur National High School	BANGA	Cookery (NC II)	1
Region VI	Aklan	302335	Solido National High School	NABAS	Cookery (NC II)	1
Region VI	Aklan	310603	LAMBERTO H. TIROL NATIONAL HIGH SCHOOL	MALAY	Cookery (NC II)	1
Region VI	Aklan	302339	Unidos NHS	NABAS	Dressmaking (NC II)	2
Region VI	Aklan	302320	Maloco NHS	IBAJAY	Dressmaking (NC II)	2
Region VI	Aklan	302336	Tangalan National High School	TANGALAN	Dressmaking (NC II)	2
Region VI	Aklan	302322	Naisud NHS	IBAJAY	Dressmaking (NC II)	2
Region VI	Aklan	500035	Numancia Integrated School	NUMANCIA	Dressmaking (NC II)	2
Region VI	Aklan	302338	Torralba NHS	BANGA	Dressmaking (NC II)	2
Region VI	Aklan	302309	Jose Feliciano Meñez Memorial National High School	BALETE	Dressmaking (NC II)	1
Region VI	Aklan	302337	Toledo NHS	NABAS	Food and Beverage Services (NC II)	3
Region VI	Aklan	302303	New Washington NCHS	NEW WASHINGTON	Food and Beverage Services (NC II)	2
Region VI	Aklan	302320	Maloco NHS	IBAJAY	Food and Beverage Services (NC II)	2
Region VI	Aklan	302295	Boracay NHS-Main	MALAY	Food and Beverage Services (NC II)	2
Region VI	Aklan	500170	Aguinaldo T. Repiedad, Sr. IS	BANGA	Food and Beverage Services (NC II)	2
Region VI	Aklan	302319	Malinao Sch. For Phil. Craftsmen	MALINAO	Food and Beverage Services (NC II)	2
Region VI	Aklan	302289	Bacan National High School	BANGA	Food and Beverage Services (NC II)	2
Region VI	Aklan	302336	Tangalan National High School	TANGALAN	Food and Beverage Services (NC II)	2
Region VI	Aklan	302286	Altavas National School	ALTAVAS	Food and Beverage Services (NC II)	2
Region VI	Aklan	302313	Linabuan NHS	KALIBO (Capital)	Food and Beverage Services (NC II)	2
Region VI	Aklan	302308	Jose Borromeo Legaspi Memorial National High School	BALETE	Food and Beverage Services (NC II)	2
Region VI	Aklan	500172	Makato Integrated School	MAKATO	Food and Beverage Services (NC II)	2
Region VI	Aklan	302324	Aklan NHS for Arts & Trades	KALIBO (Capital)	Food and Beverage Services (NC II)	2
Region VI	Aklan	302315	Madalag NHS	MADALAG	Food and Beverage Services (NC II)	2
Region VI	Aklan	302338	Torralba NHS	BANGA	Food and Beverage Services (NC II)	2
Region VI	Aklan	302340	Union National High School	NABAS	Food and Beverage Services (NC II)	2
Region VI	Aklan	310602	Mangan National High School	BANGA	Food and Beverage Services (NC II)	2
Region VI	Aklan	302329	Ondoy National High School	IBAJAY	Food and Beverage Services (NC II)	1
Region VI	Aklan	302298	Dr. Ramon B. Legaspi, Sr. National High School	MAKATO	Food and Beverage Services (NC II)	1
Region VI	Aklan	302310	Libacao National Forestry Vocational High School	LIBACAO	Food and Beverage Services (NC II)	1
Region VI	Aklan	302297	Buruanga Vocational School	BURUANGA	Food and Beverage Services (NC II)	1
Region VI	Aklan	302309	Jose Feliciano Meñez Memorial National High School	BALETE	Food and Beverage Services (NC II)	1
Region VI	Aklan	302307	Father Julian C. Rago Memorial NHS	BALETE	Food and Beverage Services (NC II)	1
Region VI	Aklan	302291	Batan Academy (A Nat'L Sch.)	BATAN	Food and Beverage Services (NC II)	1
Region VI	Aklan	302302	Candelaria NHS	NEW WASHINGTON	Food and Beverage Services (NC II)	1
Region VI	Aklan	302311	Guadalupe NHS	LIBACAO	Food and Beverage Services (NC II)	1
Region VI	Aklan	302335	Solido National High School	NABAS	Food and Beverage Services (NC II)	1
Region VI	Aklan	302334	Rosario National High School	MALINAO	Food and Beverage Services (NC II)	1
Region VI	Aklan	310603	LAMBERTO H. TIROL NATIONAL HIGH SCHOOL	MALAY	Food and Beverage Services (NC II)	1
Region VI	Aklan	302294	Bay-ang-Magpag-ong NHS	BATAN	Food and Beverage Services (NC II)	1
Region VI	Aklan	302299	CALIZO NATIONAL HIGH SCHOOL	BALETE	Food and Beverage Services (NC II)	1
Region VI	Aklan	302321	Naile NHS	IBAJAY	Horticulture (NC II)	1
Region VI	Aklan	302315	Madalag NHS	MADALAG	Horticulture (NC II)	1
Region VI	Aklan	302322	Naisud NHS	IBAJAY	Horticulture (NC II)	1
Region VI	Aklan	302317	Malay National High School	MALAY	Horticulture (NC II)	1
Region VI	Aklan	302337	Toledo NHS	NABAS	Housekeeping (NC II)	3
Region VI	Aklan	302317	Malay National High School	MALAY	Housekeeping (NC II)	2
Region VI	Aklan	500170	Aguinaldo T. Repiedad, Sr. IS	BANGA	Housekeeping (NC II)	2
Region VI	Aklan	302286	Altavas National School	ALTAVAS	Housekeeping (NC II)	2
Region VI	Aklan	302313	Linabuan NHS	KALIBO (Capital)	Housekeeping (NC II)	2



DEPARTMENT OF EDUCATION
BUREAU OF LEARNING RESOURCES
FY 2018 TVL Tools and Equipment Allocation List

Lot No. 3 Mass Production

Region	Division	School_id	School_name	Municipality	Program/Specialization (EBEIS)	2018 No. of Packages
Region VI	Aklan	500035	Numancia Integrated School	NUMANCIA	Housekeeping (NC II)	2
Region VI	Aklan	310602	Mangan National High School	BANGA	Housekeeping (NC II)	2
Region VI	Aklan	302310	Libacao National Forestry Vocational High School	LIBACAO	Housekeeping (NC II)	1
Region VI	Aklan	302309	Jose Feliciano Meñez Memorial National High School	BALETE	Housekeeping (NC II)	1
Region VI	Aklan	302302	Candelaria NHS	NEW WASHINGTON	Housekeeping (NC II)	1
Region VI	Aklan	302311	Guadalupe NHS	LIBACAO	Housekeeping (NC II)	1
Region VI	Aklan	302335	Solido National High School	NABAS	Housekeeping (NC II)	1
Region VI	Aklan	302340	Union National High School	NABAS	Housekeeping (NC II)	1
Region VI	Aklan	302287	Justicia Morales-Young National High School	ALTAVAS	Organic Agriculture (NC II)	1
Region VI	Aklan	302302	Candelaria NHS	NEW WASHINGTON	Organic Agriculture (NC II)	1
Region VI	Aklan	302289	Bacan National High School	BANGA	Shielded Metal Arc Welding (NC II)	1
Region VI	Aklan	302286	Altavas National School	ALTAVAS	Tailoring (NC II)	2
Region VI	Aklan	302306	Daja Sur National High School	BANGA	Tailoring (NC II)	1
Region VI	Aklan	302334	Rosario National High School	MALINAO	Tailoring (NC II)	1
Region VI	Antique	302341	Antique NS	SAN JOSE (Capital)	Cookery (NC II)	2
Region VI	Antique	302367	Northern Antique Vocational School	CULASI	Cookery (NC II)	2
Region VI	Antique	302369	Pandan NVHS	PANDAN	Cookery (NC II)	2
Region VI	Antique	302351	Col. Ruperto Abellon NHS	LAUA-AN	Cookery (NC II)	2
Region VI	Antique	302347	Belison NS	BELISON	Cookery (NC II)	2
Region VI	Antique	302384	Valderrama NHS	VALDERRAMA	Cookery (NC II)	1
Region VI	Antique	302363	Libertad NVS	LIBERTAD	Cookery (NC II)	1
Region VI	Antique	310704	Gen. Leandro Fullon NS	HAMTIC	Cookery (NC II)	1
Region VI	Antique	302370	Pangpang NHS	SIBALOM	Cookery (NC II)	1
Region VI	Antique	310710	Dr. Luis E. Baraquia NHS	SIBALOM	Cookery (NC II)	1
Region VI	Antique	302369	Pandan NVHS	PANDAN	Food and Beverage Services (NC II)	2
Region VI	Antique	302351	Col. Ruperto Abellon NHS	LAUA-AN	Food and Beverage Services (NC II)	2
Region VI	Antique	302347	Belison NS	BELISON	Food and Beverage Services (NC II)	2
Region VI	Antique	302373	Pis-anan National High School	SIBALOM	Food and Beverage Services (NC II)	1
Region VI	Antique	302356	Governor Julian Fullon Pacificador National High School	HAMTIC	Food and Beverage Services (NC II)	1
Region VI	Antique	302384	Valderrama NHS	VALDERRAMA	Food and Beverage Services (NC II)	1
Region VI	Antique	310703	Sibalom National High School	SIBALOM	Food and Beverage Services (NC II)	1
Region VI	Antique	310705	Semirara NHS	CALUYA	Food and Beverage Services (NC II)	1
Region VI	Antique	302370	Pangpang NHS	SIBALOM	Food and Beverage Services (NC II)	1
Region VI	Antique	310710	Dr. Luis E. Baraquia NHS	SIBALOM	Food and Beverage Services (NC II)	1
Region VI	Antique	302367	Northern Antique Vocational School	CULASI	Gas Metal Arc Welding- GMAW (NC II)	1
Region VI	Antique	310702	Tario Lim National Memorial High School	TIBIAO	Horticulture (NC II)	1
Region VI	Antique	302341	Antique NS	SAN JOSE (Capital)	Horticulture (NC II)	1
Region VI	Antique	302347	Belison NS	BELISON	Housekeeping (NC II)	2
Region VI	Antique	302376	San Roque-Ezpeleta NHS	ANINI-Y	Housekeeping (NC II)	2
Region VI	Antique	302366	Moscoso-Rios NHS	HAMTIC	Housekeeping (NC II)	1
Region VI	Antique	310703	Sibalom National High School	SIBALOM	Shielded Metal Arc Welding (NC I and NC II)	2
Region VI	Antique	302351	Col. Ruperto Abellon NHS	LAUA-AN	Shielded Metal Arc Welding (NC I and NC II)	2
Region VI	Antique	302358	Gov. Julio V. Macuja MCHS	HAMTIC	Shielded Metal Arc Welding (NC I and NC II)	1
Region VI	Antique	302370	Pangpang NHS	SIBALOM	Shielded Metal Arc Welding (NC I and NC II)	1
Region VI	Antique	310710	Dr. Luis E. Baraquia NHS	SIBALOM	Shielded Metal Arc Welding (NC I and NC II)	1
Region VI	Antique	310704	Gen. Leandro Fullon NS	HAMTIC	Tailoring (NC II)	1
Region VI	Antique	302376	San Roque-Ezpeleta NHS	ANINI-Y	Travel Services (NC II)	2
Region VI	Antique	302364	Lirio M. Escaño NHS	PATNONGON	Travel Services (NC II)	1
Region VI	Bacolod City	302716	Sum-ag National High School	BACOLOD CITY (Capital)	Cookery (NC II)	1
Region VI	Bacolod City	302715	Paglaum Village NHS	BACOLOD CITY (Capital)	Food and Beverage Services (NC II)	2
Region VI	Bacolod City	302701	Bacolod City NHS	BACOLOD CITY (Capital)	Food and Beverage Services (NC II)	2
Region VI	Bacolod City	302716	Sum-ag National High School	BACOLOD CITY (Capital)	Food and Beverage Services (NC II)	1



DEPARTMENT OF EDUCATION
BUREAU OF LEARNING RESOURCES
FY 2018 TVL Tools and Equipment Allocation List

Lot No. 3 Mass Production

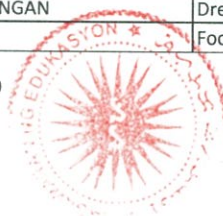
Region	Division	School_id	School_name	Municipality	Program/Specialization (EBEIS)	2018 No. of Packages
Region VI	Bacolod City	302716	Sum-ag National High School	BACOLOD CITY (Capital)	Horticulture (NC II)	1
Region VI	Bacolod City	302715	Paglaum Village NHS	BACOLOD CITY (Capital)	Housekeeping (NC II)	2
Region VI	Bacolod City	302710	Mandalagan National High School	BACOLOD CITY (Capital)	Housekeeping (NC II)	1
Region VI	Bacolod City	302701	Bacolod City NHS	BACOLOD CITY (Capital)	Shielded Metal Arc Welding (NC I and NC II)	2
Region VI	Bacolod City	302709	Luis Hervias NHS	BACOLOD CITY (Capital)	Shielded Metal Arc Welding (NC I and NC II)	1
Region VI	Bacolod City	500190	Fr. Gratian Murray, AFSC IS	BACOLOD CITY (Capital)	Travel Services (NC II)	2
Region VI	Bago City	302723	Ramon Torres Sagasa National High School	BAGO CITY	Agricultural Crops Production (NC I)	2
Region VI	Bago City	302722	Ramon Torres Malingin National High School	BAGO CITY	Agricultural Crops Production (NC I)	2
Region VI	Bago City	302720	Ramon Torres Dulao NHS	BAGO CITY	Agricultural Crops Production (NC I)	1
Region VI	Bago City	302721	Ramon Torres Ma-ao Sugar Central NHS	BAGO CITY	Cookery (NC II)	1
Region VI	Bago City	302720	Ramon Torres Dulao NHS	BAGO CITY	Cookery (NC II)	1
Region VI	Bago City	302721	Ramon Torres Ma-ao Sugar Central NHS	BAGO CITY	Food and Beverage Services (NC II)	1
Region VI	Bago City	302720	Ramon Torres Dulao NHS	BAGO CITY	Food and Beverage Services (NC II)	1
Region VI	Bago City	302723	Ramon Torres Sagasa National High School	BAGO CITY	Housekeeping (NC II)	2
Region VI	Bago City	302720	Ramon Torres Dulao NHS	BAGO CITY	Organic Agriculture (NC II)	1
Region VI	Bago City	302724	Ramon Torres Louisiana NHS	BAGO CITY	Travel Services (NC II)	2
Region VI	Cadiz City	302730	Dr. Vicente F. Gustilo Memorial NHS	CADIZ CITY	Cookery (NC II)	2
Region VI	Cadiz City	302728	Caduha-an NHS	CADIZ CITY	Cookery (NC II)	2
Region VI	Cadiz City	302728	Caduha-an NHS	CADIZ CITY	Food and Beverage Services (NC II)	2
Region VI	Cadiz City	302736	Jerusalem National High School	CADIZ CITY	Housekeeping (NC II)	1
Region VI	Cadiz City	302730	Dr. Vicente F. Gustilo Memorial NHS	CADIZ CITY	Shielded Metal Arc Welding (NC I and NC II)	2
Region VI	Cadiz City	302728	Caduha-an NHS	CADIZ CITY	Shielded Metal Arc Welding (NC I and NC II)	2
Region VI	Cadiz City	302732	SPED High School	CADIZ CITY	Shielded Metal Arc Welding (NC I and NC II)	1
Region VI	Capiz	302405	Jose Diva Avelino Jr. NHS	PONTEVEDRA	Agricultural Crops Production (NC I)	1
Region VI	Capiz	302414	MALONNOY NATIONAL HIGH SCHOOL	DAO	Agricultural Crops Production (NC I)	1
Region VI	Capiz	302419	Marciano M. Patricio (Pilar)	PILAR	Agricultural Crops Production (NC I)	1
Region VI	Capiz	302420	Pontevedra NHS	PONTEVEDRA	Cookery (NC II)	2
Region VI	Capiz	302405	Jose Diva Avelino Jr. NHS	PONTEVEDRA	Cookery (NC II)	2
Region VI	Capiz	302386	Bungsuan NHS	DUMARAO	Cookery (NC II)	2
Region VI	Capiz	302413	Maayon NHS	MA-AYON	Cookery (NC II)	2
Region VI	Capiz	302388	Cabugcabug NHS	PRESIDENT ROXAS	Cookery (NC II)	2
Region VI	Capiz	310806	Dumalag Central NHS	DUMALAG	Cookery (NC II)	2
Region VI	Capiz	302424	Sapian National High School	SAPI-AN	Cookery (NC II)	2
Region VI	Capiz	302395	Comsr. Luis R. Asis NHS	PANAY	Cookery (NC II)	2
Region VI	Capiz	310802	Dao National High School	DAO	Cookery (NC II)	1
Region VI	Capiz	302396	Cuartero NHS	CUARTERO	Cookery (NC II)	1
Region VI	Capiz	302402	Estefania Montemayor NHS	DUMARAO	Cookery (NC II)	1
Region VI	Capiz	310803	Tapaz NHS	TAPAZ	Cookery (NC II)	1
Region VI	Capiz	302419	Marciano M. Patricio (Pilar)	PILAR	Cookery (NC II)	1
Region VI	Capiz	302409	Jamindan National High School	JAMINDAN	Cookery (NC II)	1
Region VI	Capiz	302391	Capiz National High School	ROXAS CITY (Capital)	Cookery (NC II)	1
Region VI	Capiz	302416	Manuel F. Onato NHS	DUMARAO	Cookery (NC II)	1
Region VI	Capiz	310806	Dumalag Central NHS	DUMALAG	Dressmaking (NC II)	1
Region VI	Capiz	302391	Capiz National High School	ROXAS CITY (Capital)	Dressmaking (NC II)	1
Region VI	Capiz	302420	Pontevedra NHS	PONTEVEDRA	Food and Beverage Services (NC II)	2
Region VI	Capiz	302405	Jose Diva Avelino Jr. NHS	PONTEVEDRA	Food and Beverage Services (NC II)	2
Region VI	Capiz	302386	Bungsuan NHS	DUMARAO	Food and Beverage Services (NC II)	2
Region VI	Capiz	302413	Maayon NHS	MA-AYON	Food and Beverage Services (NC II)	2
Region VI	Capiz	302388	Cabugcabug NHS	PRESIDENT ROXAS	Food and Beverage Services (NC II)	2
Region VI	Capiz	310806	Dumalag Central NHS	DUMALAG	Food and Beverage Services (NC II)	2
Region VI	Capiz	302395	Comsr. Luis R. Asis NHS	PANAY	Food and Beverage Services (NC II)	2
Region VI	Capiz	302418	Panitan National High School	PANITAN	Food and Beverage Services (NC II)	2



DEPARTMENT OF EDUCATION
BUREAU OF LEARNING RESOURCES
FY 2018 TVL Tools and Equipment Allocation List

Lot No. 3 Mass Production

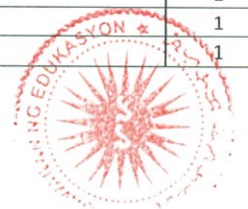
Region	Division	School_id	School_name	Municipality	Program/Specialization (EBEIS)	2018 No. of Packages
Region VI	Capiz	310802	Dao National High School	DAO	Food and Beverage Services (NC II)	1
Region VI	Capiz	302396	Cuartero NHS	CUARTERO	Food and Beverage Services (NC II)	1
Region VI	Capiz	302402	Estefania Montemayor NHS	DUMARAO	Food and Beverage Services (NC II)	1
Region VI	Capiz	310803	Tapaz NHS	TAPAZ	Food and Beverage Services (NC II)	1
Region VI	Capiz	302419	Marciano M. Patricio (Pilar)	PILAR	Food and Beverage Services (NC II)	1
Region VI	Capiz	302409	Jamindan National High School	JAMINDAN	Food and Beverage Services (NC II)	1
Region VI	Capiz	302391	Capiz National High School	ROXAS CITY (Capital)	Food and Beverage Services (NC II)	1
Region VI	Capiz	302416	Manuel F. Onato NHS	DUMARAO	Food and Beverage Services (NC II)	1
Region VI	Capiz	302388	Cabugcabug NHS	PRESIDENT ROXAS	Housekeeping (NC II)	2
Region VI	Capiz	302391	Capiz National High School	ROXAS CITY (Capital)	Housekeeping (NC II)	1
Region VI	Capiz	302405	Jose Diva Avelino Jr. NHS	PONTEVEDRA	Organic Agriculture (NC II)	1
Region VI	Capiz	302414	MALONoy NATIONAL HIGH SCHOOL	DAO	Organic Agriculture (NC II)	1
Region VI	Capiz	302419	Marciano M. Patricio (Pilar)	PILAR	Organic Agriculture (NC II)	1
Region VI	Capiz	302413	Maayon NHS	MA-AYON	Shielded Metal Arc Welding (NC I and NC II)	2
Region VI	Capiz	302406	Ivisan NHS	IVISAN	Shielded Metal Arc Welding (NC I and NC II)	1
Region VI	Capiz	302417	Ramon A. Benjamin Sr. National High School	DUMARAO	Shielded Metal Arc Welding (NC I and NC II)	1
Region VI	Capiz	302409	Jamindan National High School	JAMINDAN	Shielded Metal Arc Welding (NC II)	1
Region VI	Capiz	310806	Dumalag Central NHS	DUMALAG	Tailoring (NC II)	1
Region VI	Capiz	302391	Capiz National High School	ROXAS CITY (Capital)	Tailoring (NC II)	1
Region VI	Escalante City	302660	Mabini National High School	CITY OF ESCALANTE	Food and Beverage Services (NC II)	2
Region VI	Guimaras	302438	Trinidad V. Canja-Sta. Teresa NHS	JORDAN (Capital)	Agricultural Crops Production (NC I)	1
Region VI	Guimaras	302425	Alegria NHS	SIBUNAG	Dressmaking (NC II)	1
Region VI	Guimaras	302434	Nueva Valencia National High School	NUEVA VALENCIA	Food and Beverage Services (NC II)	1
Region VI	Guimaras	302438	Trinidad V. Canja-Sta. Teresa NHS	JORDAN (Capital)	Food and Beverage Services (NC II)	1
Region VI	Guimaras	302438	Trinidad V. Canja-Sta. Teresa NHS	JORDAN (Capital)	Housekeeping (NC II)	1
Region VI	Guimaras	302430	East Valencia National High School	BUENAVISTA	Shielded Metal Arc Welding (NC I and NC II)	1
Region VI	Guimaras	302425	Alegria NHS	SIBUNAG	Shielded Metal Arc Welding (NC II)	1
Region VI	Iloilo	302490	Dingle NHS	DINGLE	Agricultural Crops Production (NC I)	1
Region VI	Iloilo	302543	Pagdugue National High School	DUMANGAS	Agricultural Crops Production (NC I)	1
Region VI	Iloilo	302566	SAN JOAQUIN SCHOOL OF FISHERIES	SAN JOAQUIN	Aquaculture (NC II)	1
Region VI	Iloilo	302516	Leonora S. Salapantan NHS	SAN MIGUEL	Cookery (NC II)	2
Region VI	Iloilo	302556	Pototan National Comprehensive High School	POTOTAN	Cookery (NC II)	2
Region VI	Iloilo	302578	Tigbauan NHS	TIGBAUAN	Cookery (NC II)	2
Region VI	Iloilo	302458	Barotac Viejo National High School	BAROTAC VIEJO	Cookery (NC II)	2
Region VI	Iloilo	302494	Don Casimero Andrada NHS	CARLES	Cookery (NC II)	2
Region VI	Iloilo	302520	Leganes National High School	LEGANES	Cookery (NC II)	2
Region VI	Iloilo	302477	Calinog NCHS	CALINOG	Cookery (NC II)	2
Region VI	Iloilo	302573	Santa Barbara National Comprehensive High School	SANTA BARBARA	Cookery (NC II)	2
Region VI	Iloilo	302457	Barotac Nuevo National Comprehensive High School	BAROTAC NUEVO	Cookery (NC II)	2
Region VI	Iloilo	302507	Igbaras NHS	IGBARAS	Cookery (NC II)	2
Region VI	Iloilo	302521	Lemery National High School	LEMERY	Cookery (NC II)	2
Region VI	Iloilo	311006	P.D. Monfort National Science HS	DUMANGAS	Cookery (NC II)	2
Region VI	Iloilo	302569	San Rafael NHS (San Rafael)	SAN RAFAEL	Cookery (NC II)	1
Region VI	Iloilo	311011	Adriano Cabardo NHS	ALIMODIAN	Cookery (NC II)	1
Region VI	Iloilo	302546	PALANGUIA NATIONAL HIGH SCHOOL	POTOTAN	Cookery (NC II)	1
Region VI	Iloilo	311025	Jovita Alfaras Rivera National High School	BINGAWAN	Cookery (NC II)	1
Region VI	Iloilo	302493	Carlos Lopez NHS	SAN DIONISIO	Cookery (NC II)	1
Region VI	Iloilo	302569	San Rafael NHS (San Rafael)	SAN RAFAEL	Dressmaking (NC II)	2
Region VI	Iloilo	302514	Jose Facultad Memorial National High School	POTOTAN	Dressmaking (NC II)	1
Region VI	Iloilo	311008	Rufino G. Palabrica, Sr. NHS	DINGLE	Dressmaking (NC II)	1
Region VI	Iloilo	302580	Tina National High School	BADIANGAN	Dressmaking (NC II)	1
Region VI	Iloilo	302542	Oton National High School	OTON	Food and Beverage Services (NC II)	4



DEPARTMENT OF EDUCATION
BUREAU OF LEARNING RESOURCES
FY 2018 TVL Tools and Equipment Allocation List

Lot No. 3 Mass Production

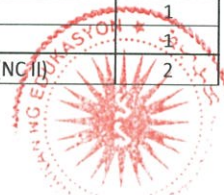
Region	Division	School_id	School_name	Municipality	Program/Specialization (EBEIS)	2018 No. of Packages
Region VI	Iloilo	302500	Estancia National High School	ESTANCIA	Food and Beverage Services (NC II)	3
Region VI	Iloilo	302550	Pavia National High School	PAVIA	Food and Beverage Services (NC II)	3
Region VI	Iloilo	302531	Miagao NHS	MIAGAO	Food and Beverage Services (NC II)	3
Region VI	Iloilo	302454	Balasan NHS	BALASAN	Food and Beverage Services (NC II)	3
Region VI	Iloilo	302473	Cabatuan NCHS	CABATUAN	Food and Beverage Services (NC II)	2
Region VI	Iloilo	302570	Sara NHS	SARA	Food and Beverage Services (NC II)	2
Region VI	Iloilo	302512	Janiuay NCHS	JANIUAY	Food and Beverage Services (NC II)	2
Region VI	Iloilo	302516	Leonora S. Salapantan NHS	SAN MIGUEL	Food and Beverage Services (NC II)	2
Region VI	Iloilo	302556	Pototan National Comprehensive High School	POTOTAN	Food and Beverage Services (NC II)	2
Region VI	Iloilo	302517	Lambunao National High School	LAMBUNAO	Food and Beverage Services (NC II)	2
Region VI	Iloilo	302533	Mina NHS	MINA	Food and Beverage Services (NC II)	2
Region VI	Iloilo	302566	SAN JOAQUIN SCHOOL OF FISHERIES	SAN JOAQUIN	Food and Beverage Services (NC II)	2
Region VI	Iloilo	302443	Ajuy NHS	AJUY	Food and Beverage Services (NC II)	2
Region VI	Iloilo	302484	Roberto H. Tirol High School	CONCEPCION	Food and Beverage Services (NC II)	2
Region VI	Iloilo	302578	Tigbauan NHS	TIGBAUAN	Food and Beverage Services (NC II)	2
Region VI	Iloilo	302585	Zarraga National High School	ZARRAGA	Food and Beverage Services (NC II)	2
Region VI	Iloilo	302458	Barotac Viejo National High School	BAROTAC VIEJO	Food and Beverage Services (NC II)	2
Region VI	Iloilo	302455	Banate NHS	BANATE	Food and Beverage Services (NC II)	2
Region VI	Iloilo	302494	Don Casimero Andrada NHS	CARLES	Food and Beverage Services (NC II)	2
Region VI	Iloilo	302520	Leganes National High School	LEGANES	Food and Beverage Services (NC II)	2
Region VI	Iloilo	302497	Duenas General Comprehensive High School	DUEÑAS	Food and Beverage Services (NC II)	2
Region VI	Iloilo	302477	Calinog NCHS	CALINOG	Food and Beverage Services (NC II)	2
Region VI	Iloilo	302446	Alimodian NCHS	ALIMODIAN	Food and Beverage Services (NC II)	2
Region VI	Iloilo	302573	Santa Barbara National Comprehensive High School	SANTA BARBARA	Food and Beverage Services (NC II)	2
Region VI	Iloilo	302509	Iloilo NHS	ILOILO CITY (Capital)	Food and Beverage Services (NC II)	2
Region VI	Iloilo	302460	Batad National High School	BATAD	Food and Beverage Services (NC II)	2
Region VI	Iloilo	302486	Culasi NHS	AJUY	Food and Beverage Services (NC II)	2
Region VI	Iloilo	302457	Barotac Nuevo National Comprehensive High School	BAROTAC NUEVO	Food and Beverage Services (NC II)	2
Region VI	Iloilo	302507	Igbaras NHS	IGBARAS	Food and Beverage Services (NC II)	2
Region VI	Iloilo	302524	Maasin National Comprehensive High School	MAASIN	Food and Beverage Services (NC II)	2
Region VI	Iloilo	302564	San Enrique NCHS	SAN ENRIQUE	Food and Beverage Services (NC II)	2
Region VI	Iloilo	302521	Lemery National High School	LEMERY	Food and Beverage Services (NC II)	2
Region VI	Iloilo	311006	P.D. Monfort National Science HS	DUMANGAS	Food and Beverage Services (NC II)	2
Region VI	Iloilo	302552	Pili NHS	AJUY	Food and Beverage Services (NC II)	1
Region VI	Iloilo	302569	San Rafael NHS (San Rafael)	SAN RAFAEL	Food and Beverage Services (NC II)	1
Region VI	Iloilo	302490	Dingle NHS	DINGLE	Food and Beverage Services (NC II)	1
Region VI	Iloilo	302449	Anilao NHS	ANILAO	Food and Beverage Services (NC II)	1
Region VI	Iloilo	311005	Lanag Norte National High School	TUBUNGAN	Food and Beverage Services (NC II)	1
Region VI	Iloilo	311011	Adriano Cabardo NHS	ALIMODIAN	Food and Beverage Services (NC II)	1
Region VI	Iloilo	311008	Rufino G. Palabrica, Sr. NHS	DINGLE	Food and Beverage Services (NC II)	1
Region VI	Iloilo	302546	PALANGUIA NATIONAL HIGH SCHOOL	POTOTAN	Food and Beverage Services (NC II)	1
Region VI	Iloilo	311025	Jovita Alfaras Rivera National High School	BINGAWAN	Food and Beverage Services (NC II)	1
Region VI	Iloilo	302493	Carlos Lopez NHS	SAN DIONISIO	Food and Beverage Services (NC II)	1
Region VI	Iloilo	302569	San Rafael NHS (San Rafael)	SAN RAFAEL	Horticulture (NC II)	2
Region VI	Iloilo	302455	Banate NHS	BANATE	Horticulture (NC II)	1
Region VI	Iloilo	302570	Sara NHS	SARA	Horticulture (NC II)	1
Region VI	Iloilo	311003	Jayobo National High School	LAMBUNAO	Horticulture (NC II)	1
Region VI	Iloilo	302533	Mina NHS	MINA	Horticulture (NC II)	1
Region VI	Iloilo	302564	San Enrique NCHS	SAN ENRIQUE	Horticulture (NC II)	1
Region VI	Iloilo	302458	Barotac Viejo National High School	BAROTAC VIEJO	Horticulture (NC II)	1
Region VI	Iloilo	311011	Adriano Cabardo NHS	ALIMODIAN	Horticulture (NC II)	1
Region VI	Iloilo	302486	Culasi NHS	AJUY	Horticulture (NC II)	1



DEPARTMENT OF EDUCATION
BUREAU OF LEARNING RESOURCES
FY 2018 TVL Tools and Equipment Allocation List

Lot No. 3 Mass Production

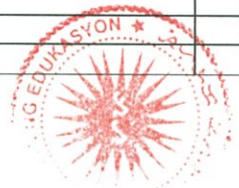
Region	Division	School_id	School_name	Municipality	Program/Specialization (EBEIS)	2018 No. of Packages
Region VI	Iloilo	302580	Tina National High School	BADIANGAN	Horticulture (NC II)	1
Region VI	Iloilo	302546	PALANGUIA NATIONAL HIGH SCHOOL	POTOTAN	Horticulture (NC II)	1
Region VI	Iloilo	311004	Santiago NHS	BAROTAC VIEJO	Horticulture (NC II)	1
Region VI	Iloilo	302473	Cabatuan NCHS	CABATUAN	Horticulture (NC II)	1
Region VI	Iloilo	302569	San Rafael NHS (San Rafael)	SAN RAFAEL	Housekeeping (NC II)	2
Region VI	Iloilo	302446	Alimodian NCHS	ALIMODIAN	Housekeeping (NC II)	1
Region VI	Iloilo	311008	Rufino G. Palabrica, Sr. NHS	DINGLE	Housekeeping (NC II)	1
Region VI	Iloilo	302497	Duenas General Comprehensive High School	DUEÑAS	Organic Agriculture (NC II)	1
Region VI	Iloilo	302490	Dingle NHS	DINGLE	Organic Agriculture (NC II)	1
Region VI	Iloilo	302543	Pagdugue National High School	DUMANGAS	Organic Agriculture (NC II)	1
Region VI	Iloilo	302556	Pototan National Comprehensive High School	POTOTAN	Shielded Metal Arc Welding (NC I and NC II)	2
Region VI	Iloilo	302531	Miagao NHS	MIAGAO	Shielded Metal Arc Welding (NC I and NC II)	2
Region VI	Iloilo	302455	Banate NHS	BANATE	Shielded Metal Arc Welding (NC I and NC II)	2
Region VI	Iloilo	302550	Pavia National High School	PAVIA	Shielded Metal Arc Welding (NC I and NC II)	2
Region VI	Iloilo	302458	Barotac Viejo National High School	BAROTAC VIEJO	Shielded Metal Arc Welding (NC I and NC II)	2
Region VI	Iloilo	302500	Estancia National High School	ESTANCIA	Shielded Metal Arc Welding (NC I and NC II)	2
Region VI	Iloilo	302498	Dumangas NHS	DUMANGAS	Shielded Metal Arc Welding (NC I and NC II)	2
Region VI	Iloilo	302473	Cabatuan NCHS	CABATUAN	Shielded Metal Arc Welding (NC I and NC II)	2
Region VI	Iloilo	302512	Janiuay NCHS	JANIUAY	Shielded Metal Arc Welding (NC I and NC II)	1
Region VI	Iloilo	302539	New Lucena National Comprehensive High School	NEW LUCENA	Shielded Metal Arc Welding (NC I and NC II)	1
Region VI	Iloilo	302520	Leganes National High School	LEGANES	Shielded Metal Arc Welding (NC I and NC II)	1
Region VI	Iloilo	302573	Santa Barbara National Comprehensive High School	SANTA BARBARA	Shielded Metal Arc Welding (NC I and NC II)	1
Region VI	Iloilo	302454	Balasan NHS	BALASAN	Shielded Metal Arc Welding (NC II)	1
Region VI	Iloilo	302559	Leon Mediana NHS	MAASIN	Shielded Metal Arc Welding (NC II)	1
Region VI	Iloilo	302531	Miagao NHS	MIAGAO	Tailoring (NC II)	3
Region VI	Iloilo	302473	Cabatuan NCHS	CABATUAN	Tailoring (NC II)	2
Region VI	Iloilo	302509	Iloilo NHS	ILOILO CITY (Capital)	Tailoring (NC II)	2
Region VI	Iloilo	302460	Batad National High School	BATAD	Tailoring (NC II)	2
Region VI	Iloilo	302498	Dumangas NHS	DUMANGAS	Tailoring (NC II)	2
Region VI	Iloilo	302578	Tigbauan NHS	TIGBAUAN	Tailoring (NC II)	1
Region VI	Iloilo	302514	Jose Facultad Memorial National High School	POTOTAN	Tailoring (NC II)	1
Region VI	Iloilo	302522	Leon National High School	LEON	Tailoring (NC II)	1
Region VI	Iloilo	311005	Lanag Norte National High School	TUBUNGAN	Tailoring (NC II)	1
Region VI	Iloilo	302580	Tina National High School	BADIANGAN	Tailoring (NC II)	1
Region VI	Iloilo	302573	Santa Barbara National Comprehensive High School	SANTA BARBARA	Tailoring (NC II)	1
Region VI	Iloilo City	302747	La Paz NHS	ILOILO CITY (Capital)	Cookery (NC II)	2
Region VI	Iloilo City	302749	Mandurriao NHS	ILOILO CITY (Capital)	Cookery (NC II)	2
Region VI	Iloilo City	302750	Ramon Avancena NHS	ILOILO CITY (Capital)	Cookery (NC II)	1
Region VI	Iloilo City	302737	Fort San Pedro National High School	ILOILO CITY (Capital)	Cookery (NC II)	1
Region VI	Iloilo City	302744	Jaro National High School	ILOILO CITY (Capital)	Food and Beverage Services (NC II)	2
Region VI	Iloilo City	302747	La Paz NHS	ILOILO CITY (Capital)	Food and Beverage Services (NC II)	2
Region VI	Iloilo City	302750	Ramon Avancena NHS	ILOILO CITY (Capital)	Food and Beverage Services (NC II)	1
Region VI	Iloilo City	302737	Fort San Pedro National High School	ILOILO CITY (Capital)	Food and Beverage Services (NC II)	1
Region VI	Iloilo City	302738	Iloilo City NHS	ILOILO CITY (Capital)	Housekeeping (NC II)	2
Region VI	Kabankalan City	302793	Florentino Galang Sr. NHS	CITY OF KABANKALAN	Agricultural Crops Production (NC I)	1
Region VI	Kabankalan City	302785	Bantayan National High School	CITY OF KABANKALAN	Agricultural Crops Production (NC I)	1
Region VI	Kabankalan City	302793	Florentino Galang Sr. NHS	CITY OF KABANKALAN	Cookery (NC II)	2
Region VI	Kabankalan City	302796	Salong NHS	CITY OF KABANKALAN	Cookery (NC II)	2
Region VI	Kabankalan City	302785	Bantayan National High School	CITY OF KABANKALAN	Cookery (NC II)	1
Region VI	Kabankalan City	302800	Tampalon NHS	CITY OF KABANKALAN	Cookery (NC II)	1
Region VI	Kabankalan City	302797	Tabugon NHS	CITY OF KABANKALAN	Cookery (NC II)	1
Region VI	Kabankalan City	302793	Florentino Galang Sr. NHS	CITY OF KABANKALAN	Food and Beverage Services (NC II)	2



DEPARTMENT OF EDUCATION
BUREAU OF LEARNING RESOURCES
FY 2018 TVL Tools and Equipment Allocation List

Lot No. 3 Mass Production

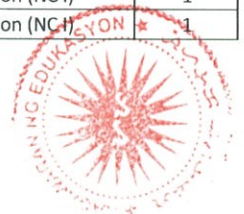
Region	Division	School_id	School_name	Municipality	Program/Specialization (EBEIS)	2018 No. of Packages
Region VI	Kabankalan City	302796	Salong NHS	CITY OF KABANKALAN	Food and Beverage Services (NC II)	2
Region VI	Kabankalan City	302785	Bantayan National High School	CITY OF KABANKALAN	Food and Beverage Services (NC II)	1
Region VI	Kabankalan City	302800	Tampalon NHS	CITY OF KABANKALAN	Food and Beverage Services (NC II)	1
Region VI	Kabankalan City	302797	Tabugon NHS	CITY OF KABANKALAN	Food and Beverage Services (NC II)	1
Region VI	Kabankalan City	312101	TAN-AWAN NATIONAL HIGH SCHOOL	CITY OF KABANKALAN	Horticulture (NC II)	1
Region VI	Kabankalan City	302793	Florentino Galang Sr. NHS	CITY OF KABANKALAN	Organic Agriculture (NC II)	1
Region VI	Kabankalan City	302797	Tabugon NHS	CITY OF KABANKALAN	Organic Agriculture (NC II)	1
Region VI	Kabankalan City	302797	Tabugon NHS	CITY OF KABANKALAN	Shielded Metal Arc Welding (NC I and NC II)	2
Region VI	Kabankalan City	302787	CAROL-AN NHS	CITY OF KABANKALAN	Shielded Metal Arc Welding (NC I and NC II)	1
Region VI	Kabankalan City	302798	PINAGUINPINAN NHS	CITY OF KABANKALAN	Shielded Metal Arc Welding (NC I and NC II)	1
Region VI	La Carlota City	302751	Doña Hortencia Salas Benedicto NHS	LA CARLOTA CITY	Food and Beverage Services (NC II)	2
Region VI	La Carlota City	302754	San Miguel NHS	LA CARLOTA CITY	Food and Beverage Services (NC II)	1
Region VI	La Carlota City	302751	Doña Hortencia Salas Benedicto NHS	LA CARLOTA CITY	Housekeeping (NC II)	2
Region VI	La Carlota City	302751	Doña Hortencia Salas Benedicto NHS	LA CARLOTA CITY	Shielded Metal Arc Welding (NC I and NC II)	2
Region VI	La Carlota City	302752	La Granja NHS	LA CARLOTA CITY	Shielded Metal Arc Welding (NC I and NC II)	1
Region VI	Negros Occidental	302629	Eva J. Montilla NHS	CAUAYAN	Agricultural Crops Production (NC I)	1
Region VI	Negros Occidental	302636	Gil Montilla NHS - Camindangan Ext.	CITY OF SIPALAY	Agricultural Crops Production (NC I)	1
Region VI	Negros Occidental	302608	Quirico G. Manzano NHS	CANDONI	Agricultural Crops Production (NC I)	1
Region VI	Negros Occidental	302654	Libas National High School	ISABELA	Agricultural Crops Production (NC I)	1
Region VI	Negros Occidental	302664	Nabulao NHS	CITY OF SIPALAY	Agricultural Crops Production (NC I)	1
Region VI	Negros Occidental	302604	Laga-an National High School	CALATRAVA	Agricultural Crops Production (NC I)	1
Region VI	Negros Occidental	302651	Hinigaran NHS	HINIGARAN	Cookery (NC II)	3
Region VI	Negros Occidental	302677	Pontevedra NHS	PONTEVEDRA	Cookery (NC II)	2
Region VI	Negros Occidental	302656	La Castellana NHS	LA CASTELLANA	Cookery (NC II)	2
Region VI	Negros Occidental	302695	Victorias NHS	CITY OF VICTORIAS	Cookery (NC II)	2
Region VI	Negros Occidental	302669	Negros Occidental HS	BACOLOD CITY (Capital)	Cookery (NC II)	2
Region VI	Negros Occidental	302599	Bulwangan NHS	HINOBA-AN (ASIA)	Cookery (NC II)	2
Region VI	Negros Occidental	302653	Isabela National High School	ISABELA	Cookery (NC II)	2
Region VI	Negros Occidental	302632	GIL MONTILLA NATIONAL HIGH SCHOOL	CITY OF SIPALAY	Cookery (NC II)	2
Region VI	Negros Occidental	302659	Lopez Jaena NHS	MURCIA	Cookery (NC II)	2
Region VI	Negros Occidental	302662	Manapla National High School	MANAPLA	Cookery (NC II)	2
Region VI	Negros Occidental	302678	Rafael B. Lacson NHS	CITY OF TALISAY	Cookery (NC II)	2
Region VI	Negros Occidental	302646	Guinpana-an NHS	MOISES PADILLA (MAGALONAN)	Cookery (NC II)	2
Region VI	Negros Occidental	302607	Caningay NHS - Banga Ext.	CANDONI	Cookery (NC II)	1
Region VI	Negros Occidental	302590	Andulauan NHS - Ilog Poblacion Ext.	ILOG	Cookery (NC II)	1
Region VI	Negros Occidental	302641	Guiljungan NHS	CAUAYAN	Cookery (NC II)	1
Region VI	Negros Occidental	302666	Nabulao NHS - Maricalum Ext.	CITY OF SIPALAY	Cookery (NC II)	1
Region VI	Negros Occidental	302621	Enrique B. Magalona NHS	ENRIQUE B. MAGALONA (SARAYAN)	Cookery (NC II)	1
Region VI	Negros Occidental	302600	Bilbao Uyubico NHS	HINOBA-AN (ASIA)	Cookery (NC II)	1
Region VI	Negros Occidental	302659	Lopez Jaena NHS	MURCIA	Food and Beverage Services (NC II)	2
Region VI	Negros Occidental	302646	Guinpana-an NHS	MOISES PADILLA (MAGALONAN)	Food and Beverage Services (NC II)	2
Region VI	Negros Occidental	302607	Caningay NHS - Banga Ext.	CANDONI	Food and Beverage Services (NC II)	1
Region VI	Negros Occidental	302590	Andulauan NHS - Ilog Poblacion Ext.	ILOG	Food and Beverage Services (NC II)	1
Region VI	Negros Occidental	302641	Guiljungan NHS	CAUAYAN	Food and Beverage Services (NC II)	1
Region VI	Negros Occidental	302662	Manapla National High School	MANAPLA	Food and Beverage Services (NC II)	1
Region VI	Negros Occidental	302666	Nabulao NHS - Maricalum Ext.	CITY OF SIPALAY	Food and Beverage Services (NC II)	1
Region VI	Negros Occidental	302621	Enrique B. Magalona NHS	ENRIQUE B. MAGALONA (SARAYAN)	Food and Beverage Services (NC II)	1
Region VI	Negros Occidental	302600	Bilbao Uyubico NHS	HINOBA-AN (ASIA)	Food and Beverage Services (NC II)	1
Region VI	Negros Occidental	302592	Biao National High School	BINALBAGAN	Horticulture (NC II)	1
Region VI	Negros Occidental	302661	Juan Gequillana NHS (Manalad NHS)	ILOG	Horticulture (NC II)	1
Region VI	Negros Occidental	302666	Nabulao NHS - Maricalum Ext.	CITY OF SIPALAY	Horticulture (NC II)	1
Region VI	Negros Occidental	302599	Bulwangan NHS	HINOBA-AN (ASIA)	Horticulture (NC II)	1



DEPARTMENT OF EDUCATION
BUREAU OF LEARNING RESOURCES
FY 2018 TVL Tools and Equipment Allocation List

Lot No. 3 Mass Production

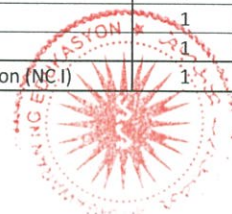
Region	Division	School_id	School_name	Municipality	Program/Specialization (EBEIS)	2018 No. of Packages
Region VI	Negros Occidental	302632	GIL MONTILLA NATIONAL HIGH SCHOOL	CITY OF SIPALAY	Housekeeping (NC II)	2
Region VI	Negros Occidental	302651	Hinigaran NHS	HINIGARAN	Housekeeping (NC II)	1
Region VI	Negros Occidental	302593	Bocana NHS	ILOG	Housekeeping (NC II)	1
Region VI	Negros Occidental	302670	Murcia National High School	MURCIA	Housekeeping (NC II)	1
Region VI	Negros Occidental	302629	Eva J. Montilla NHS	CAUAYAN	Organic Agriculture (NC II)	1
Region VI	Negros Occidental	302609	Cansilayan NHS	MURCIA	Organic Agriculture (NC II)	1
Region VI	Negros Occidental	302636	Gil Montilla NHS - Camindangan Ext.	CITY OF SIPALAY	Organic Agriculture (NC II)	1
Region VI	Negros Occidental	302608	Quirico G. Manzano NHS	CANDONI	Organic Agriculture (NC II)	1
Region VI	Negros Occidental	302654	Libas National High School	ISABELA	Organic Agriculture (NC II)	1
Region VI	Negros Occidental	302664	Nabulao NHS	CITY OF SIPALAY	Organic Agriculture (NC II)	1
Region VI	Negros Occidental	302656	La Castellana NHS	LA CASTELLANA	Organic Agriculture (NC II)	1
Region VI	Negros Occidental	302668	Negros Occ. NAISHI	HINIGARAN	Organic Agriculture (NC II)	1
Region VI	Negros Occidental	302695	Victorias NHS	CITY OF VICTORIAS	Shielded Metal Arc Welding (NC I and NC II)	4
Region VI	Negros Occidental	302599	Bulwangan NHS	HINOBA-AN (ASIA)	Shielded Metal Arc Welding (NC I and NC II)	2
Region VI	Negros Occidental	302649	Himamaylan NHS	CITY OF HIMAMAYLAN	Shielded Metal Arc Welding (NC I and NC II)	2
Region VI	Negros Occidental	343897	SHS in Calatrava	CALATRAVA	Shielded Metal Arc Welding (NC I and NC II)	2
Region VI	Negros Occidental	302653	Isabela National High School	ISABELA	Shielded Metal Arc Welding (NC I and NC II)	2
Region VI	Negros Occidental	302683	San Enrique NHS	SAN ENRIQUE	Shielded Metal Arc Welding (NC I and NC II)	2
Region VI	Negros Occidental	302652	Inocencio V. Ferrer SOF (TASOF)	CITY OF TALISAY	Shielded Metal Arc Welding (NC I and NC II)	2
Region VI	Negros Occidental	302659	Lopez Jaena NHS	MURCIA	Shielded Metal Arc Welding (NC I and NC II)	2
Region VI	Negros Occidental	302656	La Castellana NHS	LA CASTELLANA	Shielded Metal Arc Welding (NC I and NC II)	2
Region VI	Negros Occidental	302632	GIL MONTILLA NATIONAL HIGH SCHOOL	CITY OF SIPALAY	Shielded Metal Arc Welding (NC I and NC II)	2
Region VI	Negros Occidental	302624	Enriqueta Montilla De Esteban MHS	PULUPANDAN	Shielded Metal Arc Welding (NC I and NC II)	2
Region VI	Negros Occidental	302662	Manapla National High School	MANAPLA	Shielded Metal Arc Welding (NC I and NC II)	1
Region VI	Negros Occidental	302600	Bilbao Uybico NHS	HINOBA-AN (ASIA)	Shielded Metal Arc Welding (NC I and NC II)	1
Region VI	Negros Occidental	302684	Andres Gumban MNHS	TOBOSO	Shielded Metal Arc Welding (NC I and NC II)	1
Region VI	Negros Occidental	302621	Enrique B. Magalona NHS	ENRIQUE B. MAGALONA (SAR)	Shielded Metal Arc Welding (NC II)	1
Region VI	Passi City	302804	Mulapula National High School	CITY OF PASSI	Food and Beverage Services (NC II)	1
Region VI	Passi City	302804	Mulapula National High School	CITY OF PASSI	Housekeeping (NC II)	1
Region VI	Roxas City	302757	Cong. Ramon A. Arnaldo HS	ROXAS CITY (Capital)	Cookery (NC II)	1
Region VI	Roxas City	302759	Dumolog NHS	ROXAS CITY (Capital)	Cookery (NC II)	1
Region VI	Roxas City	302757	Cong. Ramon A. Arnaldo HS	ROXAS CITY (Capital)	Dressmaking (NC II)	1
Region VI	Roxas City	302757	Cong. Ramon A. Arnaldo HS	ROXAS CITY (Capital)	Food and Beverage Services (NC II)	1
Region VI	Roxas City	302759	Dumolog NHS	ROXAS CITY (Capital)	Food and Beverage Services (NC II)	1
Region VI	Roxas City	302757	Cong. Ramon A. Arnaldo HS	ROXAS CITY (Capital)	Tailoring (NC II)	1
Region VI	Sagay City	302768	Bulanon National High School	SAGAY CITY	Aquaculture (NC II)	2
Region VI	Sagay City	500038	Himogaan Baybay Integrated School	SAGAY CITY	Cookery (NC II)	2
Region VI	Sagay City	311803	Sagay National High School-Lopez Jaena	SAGAY CITY	Cookery (NC II)	1
Region VI	Sagay City	343922	Sagay City Senior High School (Stand Alone)	SAGAY CITY	Food and Beverage Services (NC II)	2
Region VI	Sagay City	500037	Eusebio Lopez Memorial Integrated School	SAGAY CITY	Food and Beverage Services (NC II)	2
Region VI	Sagay City	500038	Himogaan Baybay Integrated School	SAGAY CITY	Food and Beverage Services (NC II)	2
Region VI	Sagay City	311803	Sagay National High School-Lopez Jaena	SAGAY CITY	Food and Beverage Services (NC II)	1
Region VI	Sagay City	302768	Bulanon National High School	SAGAY CITY	Food and Beverage Services (NC II)	1
Region VI	Sagay City	302771	Vito National High School	SAGAY CITY	Food and Beverage Services (NC II)	1
Region VI	Sagay City	302771	Vito National High School	SAGAY CITY	Horticulture (NC II)	1
Region VI	Sagay City	343922	Sagay City Senior High School (Stand Alone)	SAGAY CITY	Shielded Metal Arc Welding (NC I and NC II)	2
Region VI	Sagay City	302762	Bato National High School	SAGAY CITY	Shielded Metal Arc Welding (NC I and NC II)	2
Region VI	Silay City	302780	Doña Montserrat Lopez MHS	SILAY CITY	Cookery (NC II)	2
Region VI	Silay City	302780	Doña Montserrat Lopez MHS	SILAY CITY	Shielded Metal Arc Welding (NC I and NC II)	2
Region VII	Bayawan City	321905	Lapay High School	CITY OF BAYAWAN (TULONG)	Agricultural Crops Production (NC I)	1
Region VII	Bayawan City	303221	Bayawan National High School	CITY OF BAYAWAN (TULONG)	Agricultural Crops Production (NC I)	1
Region VII	Bayawan City	303242	Tayawan National High School	CITY OF BAYAWAN (TULONG)	Agricultural Crops Production (NC I)	1



DEPARTMENT OF EDUCATION
BUREAU OF LEARNING RESOURCES
FY 2018 TVL Tools and Equipment Allocation List

Lot No. 3 Mass Production

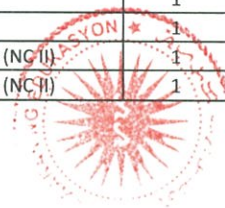
Region	Division	School_id	School_name	Municipality	Program/Specialization (EBEIS)	2018 No. of Packages
Region VII	Bayawan City	303239	Kalamtukan High School	CITY OF BAYAWAN (TULONG)	Agricultural Crops Production (NC I)	1
Region VII	Bayawan City	321901	Banaybanay National High School	CITY OF BAYAWAN (TULONG)	Agricultural Crops Production (NC I)	1
Region VII	Bayawan City	321911	Abundio Agarpao, Sr. Memorial High School	CITY OF BAYAWAN (TULONG)	Agricultural Crops Production (NC I)	1
Region VII	Bayawan City	303238	Bugay National High School	CITY OF BAYAWAN (TULONG)	Agricultural Crops Production (NC I)	1
Region VII	Bayawan City	321904	Villasol High School	CITY OF BAYAWAN (TULONG)	Agricultural Crops Production (NC I)	1
Region VII	Bayawan City	303241	Tabuan Provincial Community High School	CITY OF BAYAWAN (TULONG)	Agricultural Crops Production (NC I)	1
Region VII	Bayawan City	303254	NARRA National High School	CITY OF BAYAWAN (TULONG)	Agricultural Crops Production (NC I)	1
Region VII	Bayawan City	303240	Manduaw National High School	CITY OF BAYAWAN (TULONG)	Agricultural Crops Production (NC I)	1
Region VII	Bayawan City	321912	Cansumalig High School	CITY OF BAYAWAN (TULONG)	Agricultural Crops Production (NC I)	1
Region VII	Bayawan City	321903	Minaba National High School	CITY OF BAYAWAN (TULONG)	Agricultural Crops Production (NC I)	1
Region VII	Bayawan City	321910	Pagatban Senior High School	CITY OF BAYAWAN (TULONG)	Agricultural Crops Production (NC I)	1
Region VII	Bayawan City	303227	Dawis National High School	CITY OF BAYAWAN (TULONG)	Agricultural Crops Production (NC I)	1
Region VII	Bayawan City	321909	Malabugas HS	CITY OF BAYAWAN (TULONG)	Agricultural Crops Production (NC I)	1
Region VII	Bayawan City	321908	Antonio M. Lacson, Sr. Memorial High School	CITY OF BAYAWAN (TULONG)	Agricultural Crops Production (NC I)	1
Region VII	Bayawan City	303221	Bayawan National High School	CITY OF BAYAWAN (TULONG)	Cookery (NC II)	3
Region VII	Bayawan City	303237	Kalumboyan National High School	CITY OF BAYAWAN (TULONG)	Cookery (NC II)	1
Region VII	Bayawan City	303227	Dawis National High School	CITY OF BAYAWAN (TULONG)	Cookery (NC II)	1
Region VII	Bayawan City	303217	Basay National High School	BASAY	Horticulture (NC II)	1
Region VII	Bayawan City	303221	Bayawan National High School	CITY OF BAYAWAN (TULONG)	Shielded Metal Arc Welding (NC I and NC II)	2
Region VII	Bohol	302905	Sierra Bullones Technical Vocational High School	SIERRA BULLONES	Agricultural Crops Production (NC I)	1
Region VII	Bohol	302873	Mahayag National High School	SAN MIGUEL	Agricultural Crops Production (NC I)	1
Region VII	Bohol	302809	Alicia Technical-Voc'l HS	ALICIA	Agricultural Crops Production (NC I)	1
Region VII	Bohol	302897	San Miguel Technical Vocational School	SAN MIGUEL	Cookery (NC II)	2
Region VII	Bohol	302859	Southern Inabanga HS	INABANGA	Cookery (NC II)	1
Region VII	Bohol	302809	Alicia Technical-Voc'l HS	ALICIA	Cookery (NC II)	1
Region VII	Bohol	302892	Inabanga HS- Nabuad	INABANGA	Cookery (NC II)	1
Region VII	Bohol	302858	Hinlayagan NHS	TRINIDAD	Cookery (NC II)	1
Region VII	Bohol	302872	Lourdes NHS	PANGLAO	Cookery (NC II)	1
Region VII	Bohol	302908	Tabalong NHS	DAUIS	Cookery (NC II)	1
Region VII	Bohol	302910	Tagum Sur NHS	TRINIDAD	Cookery (NC II)	1
Region VII	Bohol	302884	Pilar Technical-Vocational HS	PILAR	Cookery (NC II)	1
Region VII	Bohol	302849	Faraon NHS	JAGNA	Cookery (NC II)	1
Region VII	Bohol	302865	Candijay National High School	CANDIJAY	Cookery (NC II)	1
Region VII	Bohol	302840	Dagohoy NHS / Integrated SHS	DAGOHOY	Cookery (NC II)	1
Region VII	Bohol	302873	Mahayag National High School	SAN MIGUEL	Cookery (NC II)	1
Region VII	Bohol	302886	Pres. Carlos P. Garcia Technical Vocational School	BIEN UNIDO	Cookery (NC II)	1
Region VII	Bohol	302830	Cangawa NHS	BUENAVISTA	Cookery (NC II)	1
Region VII	Bohol	312334	Bulilis High School	UBAY	Cookery (NC II)	1
Region VII	Bohol	312303	Mayor Inocencio B. Mendez HS	PRES. CARLOS P. GARCIA (PIT)	Cookery (NC II)	1
Region VII	Bohol	302897	San Miguel Technical Vocational School	SAN MIGUEL	Horticulture (NC II)	1
Region VII	Bohol	302841	Danao NHS	DANAO	Horticulture (NC II)	1
Region VII	Bohol	302907	Bantolinao National High School	ANTEQUERA	Horticulture (NC II)	1
Region VII	Bohol	302899	San Pascual National Agr'l HS	UBAY	Horticulture (NC II)	1
Region VII	Bohol	302872	Lourdes NHS	PANGLAO	Housekeeping (NC II)	1
Region VII	Bohol	302897	San Miguel Technical Vocational School	SAN MIGUEL	Shielded Metal Arc Welding (NC I and NC II)	1
Region VII	Bohol	302892	Inabanga HS- Nabuad	INABANGA	Shielded Metal Arc Welding (NC I and NC II)	1
Region VII	Bohol	302893	San Jose NHS	TALIBON	Shielded Metal Arc Welding (NC I and NC II)	1
Region VII	Bohol	302886	Pres. Carlos P. Garcia Technical Vocational School	BIEN UNIDO	Shielded Metal Arc Welding (NC II)	2
Region VII	Bohol	302858	Hinlayagan NHS	TRINIDAD	Tailoring (NC II)	1
Region VII	Bohol	302859	Southern Inabanga HS	INABANGA	Tailoring (NC II)	1
Region VII	Bohol	302897	San Miguel Technical Vocational School	SAN MIGUEL	Tailoring (NC II)	1
Region VII	Cebu	312414	Sta. Rita NHS	ASTURIAS	Agricultural Crops Production (NC I)	1



DEPARTMENT OF EDUCATION
BUREAU OF LEARNING RESOURCES
FY 2018 TVL Tools and Equipment Allocation List

Lot No. 3 Mass Production

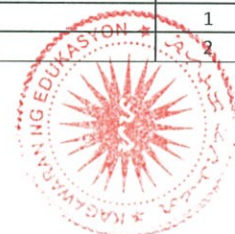
Region	Division	School_id	School_name	Municipality	Program/Specialization (EBEIS)	2018 No. of Packages
Region VII	Cebu	302985	Argao National High School	ARGAO	Agricultural Crops Production (NC I)	1
Region VII	Cebu	303124	Calagasan National High School	ARGAO	Agricultural Crops Production (NC I)	1
Region VII	Cebu	303029	Lamac National High School	PINAMUNGAHAN	Agricultural Crops Production (NC I)	1
Region VII	Cebu	302985	Argao National High School	ARGAO	Cookery (NC II)	2
Region VII	Cebu	302955	Cordova NHS	CORDOVA	Cookery (NC II)	2
Region VII	Cebu	302941	Dumanjug NHS	DUMANJUG	Cookery (NC II)	2
Region VII	Cebu	303052	Mantalongon NHS	BARILI	Cookery (NC II)	2
Region VII	Cebu	303125	Cansuje National High School - Usmad Ex	ARGAO	Cookery (NC II)	1
Region VII	Cebu	303110	Mohon NHS	SOGOD	Cookery (NC II)	1
Region VII	Cebu	302940	Bitoon NVHS	DUMANJUG	Cookery (NC II)	1
Region VII	Cebu	303069	Bartolome & Manuela Pañares MNHS	BARILI	Cookery (NC II)	1
Region VII	Cebu	302921	Badian NHS	BADIAN	Cookery (NC II)	1
Region VII	Cebu	303116	Tubod National High School	MINGLANILLA	Cookery (NC II)	1
Region VII	Cebu	302938	Bantayan Senior High School	BANTAYAN	Cookery (NC II)	1
Region VII	Cebu	302979	Ceferino Sususco MNHS	CATMON	Dressmaking (NC II)	1
Region VII	Cebu	302941	Dumanjug NHS	DUMANJUG	Food and Beverage Services (NC II)	2
Region VII	Cebu	303104	Tabunan NHS	BORBON	Horticulture (NC II)	1
Region VII	Cebu	302968	Cabonga-an NHS	SAN FRANCISCO	Horticulture (NC II)	1
Region VII	Cebu	303075	Pinamungajan NHS	PINAMUNGAHAN	Horticulture (NC II)	1
Region VII	Cebu	302988	Consolacion NHS - Day Class	CONSOLACION	Shielded Metal Arc Welding (NC I and NC II)	1
Region VII	Cebu	302921	Badian NHS	BADIAN	Shielded Metal Arc Welding (NC I and NC II)	1
Region VII	Cebu	302979	Ceferino Sususco MNHS	CATMON	Tailoring (NC II)	1
Region VII	Cebu	302940	Bitoon NVHS	DUMANJUG	Tailoring (NC II)	1
Region VII	Cebu City	303142	Don Carlos Gothong Memorial NHS	CEBU CITY (Capital)	Cookery (NC II)	1
Region VII	Cebu City	303150	Don Sergio Osmeña, Sr. Memorial HS (D	CEBU CITY (Capital)	Cookery (NC II)	1
Region VII	Cebu City	303133	Don Vicente Rama Mem. NHS (Basak NH	CEBU CITY (Capital)	Cookery (NC II)	1
Region VII	Cebu City	312506	Tisa National High School (Day & Night)	CEBU CITY (Capital)	Cookery (NC II)	1
Region VII	Cebu City	303155	Tejero NHS (Day & Night)	CEBU CITY (Capital)	Cookery (NC II)	1
Region VII	Cebu City	303160	Pit-os National High School	CEBU CITY (Capital)	Cookery (NC II)	1
Region VII	Cebu City	303159	Pardo NHS (Day & Night)	CEBU CITY (Capital)	Cookery (NC II)	1
Region VII	Cebu City	303128	Abellana NHS (Day & Night)	CEBU CITY (Capital)	Gas Metal Arc Welding- GMAW (NC II)	1
Region VII	City of Naga, Cebu	303065	Naga National High School	CITY OF NAGA	Shielded Metal Arc Welding (NC I and NC II)	1
Region VII	Guihulngan City	303233	Guihulngan NHS - Hilaitan	CITY OF GUIHULNGAN	Cookery (NC II)	1
Region VII	Guihulngan City	303292	Vallehermoso National High School	VALLEHERMOSO	Shielded Metal Arc Welding (NC I and NC II)	1
Region VII	Lapu-Lapu City	303184	Pajo National High School	LAPU-LAPU CITY (OPON)	Cookery (NC II)	2
Region VII	Lapu-Lapu City	303178	Mactan National High School	LAPU-LAPU CITY (OPON)	Cookery (NC II)	1
Region VII	Lapu-Lapu City	303184	Pajo National High School	LAPU-LAPU CITY (OPON)	Tailoring (NC II)	1
Region VII	Negros Oriental	303225	Dauin National High School	DAUIN	Cookery (NC II)	1
Region VII	Negros Oriental	303207	Amlan National High School	AMLAN (AYUQUITAN)	Cookery (NC II)	1
Region VII	Negros Oriental	303235	Jimalalud National High School	JIMALALUD	Cookery (NC II)	2
Region VII	Negros Oriental	303228	Demetrio L. Alviola NHS	BINDOY (PAYABON)	Cookery (NC II)	1
Region VII	Negros Oriental	303258	Pacuan National High School	LA LIBERTAD	Cookery (NC II)	1
Region VII	Negros Oriental	303252	Maria Macahig National High School	SIATON	Cookery (NC II)	1
Region VII	Negros Oriental	303289	Tayasan National High School (Main)	TAYASAN	Cookery (NC II)	1
Region VII	Negros Oriental	303211	Bagtic National High School	MABINAY	Cookery (NC II)	1
Region VII	Negros Oriental	303291	Valencia National High School (Valencia	VALENCIA (LUZURRIAGA)	Cookery (NC II)	1
Region VII	Negros Oriental	303210	Ayungon NHS	AYUNGON	Cookery (NC II)	1
Region VII	Negros Oriental	303265	Sta. Catalina National High School	SANTA CATALINA	Cookery (NC II)	1
Region VII	Negros Oriental	312921	Froilan A. Alanano Memorial High School	DAUIN	Cookery (NC II)	1
Region VII	Negros Oriental	312917	Cabcaban CHS	BINDOY (PAYABON)	Cookery (NC II)	1
Region VII	Negros Oriental	312921	Froilan A. Alanano Memorial High School	DAUIN	Food and Beverage Services (NC II)	1
Region VII	Negros Oriental	312917	Cabcaban CHS	BINDOY (PAYABON)	Food and Beverage Services (NC II)	1



DEPARTMENT OF EDUCATION
BUREAU OF LEARNING RESOURCES
FY 2018 TVL Tools and Equipment Allocation List

Lot No. 3 Mass Production

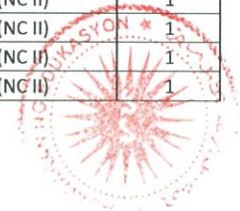
Region	Division	School_id	School_name	Municipality	Program/Specialization (EBEIS)	2018 No. of Packages
Region VII	Negros Oriental	303277	Mabato Provincial Community HS	AYUNGON	Horticulture (NC II)	1
Region VII	Negros Oriental	312919	Malongcay Dacu High School	DAUIN	Horticulture (NC II)	1
Region VII	Negros Oriental	303266	San Miguel National High School	BACONG	Horticulture (NC II)	1
Region VII	Negros Oriental	312932	Eligio T. Monte De Ramos High School	SANTA CATALINA	Horticulture (NC II)	1
Region VII	Negros Oriental	303265	Sta. Catalina National High School	SANTA CATALINA	Horticulture (NC II)	1
Region VII	Siquijor	303306	DepED-Lazi National Agricultural School	LAZI	Cookery (NC II)	1
Region VII	Siquijor	303300	Tambisan National High School	SAN JUAN	Cookery (NC II)	1
Region VII	Siquijor	303305	Catulayan National High School	SAN JUAN	Cookery (NC II)	1
Region VII	Siquijor	303293	Campalanas National High School	LAZI	Cookery (NC II)	1
Region VII	Siquijor	303302	Banban National High School	SIQUIJOR (Capital)	Cookery (NC II)	1
Region VII	Siquijor	303304	Candaping National High School	MARIA	Cookery (NC II)	1
Region VII	Siquijor	303306	DepED-Lazi National Agricultural School	LAZI	Horticulture (NC II)	1
Region VII	Siquijor	303293	Campalanas National High School	LAZI	Horticulture (NC II)	1
Region VII	Siquijor	303303	BASAC NATIONAL HIGH SCHOOL	LARENA	Horticulture (NC II)	1
Region VII	Siquijor	303304	Candaping National High School	MARIA	Horticulture (NC II)	1
Region VII	Siquijor	303297	Enrique Villanueva National High School	ENRIQUE VILLANUEVA	Horticulture (NC II)	1
Region VII	Siquijor	303305	Catulayan National High School	SAN JUAN	Horticulture (NC II)	1
Region VII	Siquijor	303306	DepED-Lazi National Agricultural School	LAZI	Tailoring (NC II)	1
Region VII	Talisay City	303040	Lawaan NHS, Talisay	CITY OF TALISAY	Housekeeping (NC II)	1
Region VII	Talisay City	303056	Mohon (Divino Amore) National High School	CITY OF TALISAY	Tailoring (NC II)	1
Region VII	Toledo City	303316	Toledo National Vocational School	TOLEDO CITY	Cookery (NC II)	2
Region VII	Toledo City	303310	Don Andres Soriano NHS	TOLEDO CITY	Cookery (NC II)	1
Region VII	Toledo City	303313	Matab-ang NHS	TOLEDO CITY	Cookery (NC II)	1
Region VII	Toledo City	303313	Matab-ang NHS	TOLEDO CITY	Food and Beverage Services (NC II)	1
Region VII	Toledo City	303316	Toledo National Vocational School	TOLEDO CITY	Tailoring (NC II)	1
Region VIII	Baybay City	303420	Pomponan National High School	CITY OF BAYBAY	Agricultural Crops Production (NC I)	1
Region VIII	Baybay City	344593	Baybay City Senior High School	CITY OF BAYBAY	Cookery (NC II)	2
Region VIII	Baybay City	303360	Caridad National High School	CITY OF BAYBAY	Cookery (NC II)	2
Region VIII	Baybay City	313323	Ciabu National High School	CITY OF BAYBAY	Cookery (NC II)	1
Region VIII	Baybay City	313312	Mailhi National High School	CITY OF BAYBAY	Dressmaking (NC II)	1
Region VIII	Baybay City	313323	Ciabu National High School	CITY OF BAYBAY	Dressmaking (NC II)	1
Region VIII	Baybay City	344593	Baybay City Senior High School	CITY OF BAYBAY	Food and Beverage Services (NC II)	2
Region VIII	Baybay City	344593	Baybay City Senior High School	CITY OF BAYBAY	Horticulture (NC II)	1
Region VIII	Baybay City	303360	Caridad National High School	CITY OF BAYBAY	Shielded Metal Arc Welding (NC II)	2
Region VIII	Baybay City	313312	Mailhi National High School	CITY OF BAYBAY	Tailoring (NC II)	1
Region VIII	Biliran	303320	Biliran National Agricultural High School	BILIRAN	Agricultural Crops Production (NC I)	1
Region VIII	Biliran	303331	Naval School of Fisheries	NAVAL (Capital)	Aquaculture (NC II)	1
Region VIII	Biliran	303330	Naval National High School	NAVAL (Capital)	Cookery (NC II)	2
Region VIII	Biliran	303322	Cabucgayan National School of Arts and	CABUCGAYAN	Cookery (NC II)	2
Region VIII	Biliran	303329	Maripipi NVS	MARIPIPI	Cookery (NC II)	2
Region VIII	Biliran	303321	Bool NHS	CULABA	Cookery (NC II)	2
Region VIII	Biliran	303326	Kawayan National High School	KAWAYAN	Cookery (NC II)	1
Region VIII	Biliran	313203	ICT High School of Eastern Biliran	CAIBIRAN	Cookery (NC II)	1
Region VIII	Biliran	303330	Naval National High School	NAVAL (Capital)	Food and Beverage Services (NC II)	2
Region VIII	Biliran	303322	Cabucgayan National School of Arts and	CABUCGAYAN	Food and Beverage Services (NC II)	2
Region VIII	Biliran	303329	Maripipi NVS	MARIPIPI	Food and Beverage Services (NC II)	2
Region VIII	Biliran	303321	Bool NHS	CULABA	Food and Beverage Services (NC II)	2
Region VIII	Biliran	303326	Kawayan National High School	KAWAYAN	Food and Beverage Services (NC II)	1
Region VIII	Biliran	313203	ICT High School of Eastern Biliran	CAIBIRAN	Food and Beverage Services (NC II)	1
Region VIII	Biliran	303333	Tucdao National High School	KAWAYAN	Shielded Metal Arc Welding (NC I)	2
Region VIII	Biliran	303319	Almeria NHS	ALMERIA	Travel Services (NC II)	1
Region VIII	Borongan City	303500	E. Samar NCHS	CITY OF BORONGAN (Capital)	Cookery (NC II)	2



DEPARTMENT OF EDUCATION
BUREAU OF LEARNING RESOURCES
FY 2018 TVL Tools and Equipment Allocation List

Lot No. 3 Mass Production

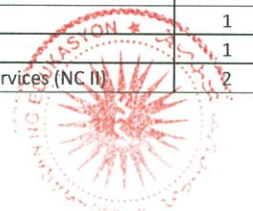
Region	Division	School_id	School_name	Municipality	Program/Specialization (EBEIS)	2018 No. of Packages
Region VIII	Borongan City	303526	Maypangdan NHS	CITY OF BORONGAN (Capital)	Cookery (NC II)	1
Region VIII	Borongan City	303500	E. Samar NCHS	CITY OF BORONGAN (Capital)	Food and Beverage Services (NC II)	2
Region VIII	Borongan City	303526	Maypangdan NHS	CITY OF BORONGAN (Capital)	Food and Beverage Services (NC II)	1
Region VIII	Borongan City	303525	Sta. Fe NHS	CITY OF BORONGAN (Capital)	Organic Agriculture (NC II)	1
Region VIII	Borongan City	303526	Maypangdan NHS	CITY OF BORONGAN (Capital)	Shielded Metal Arc Welding (NC I and NC II)	1
Region VIII	Borongan City	303500	E. Samar NCHS	CITY OF BORONGAN (Capital)	Travel Services (NC II)	1
Region VIII	Calbayog City	303648	Pilar National Agricultural High School	CALBAYOG CITY	Agricultural Crops Production (NC I)	2
Region VIII	Calbayog City	303649	R. Lentejas Mem. School Of Fisheries	CALBAYOG CITY	Cookery (NC II)	2
Region VIII	Calbayog City	500807	Bagacay Integrated School	CALBAYOG CITY	Cookery (NC II)	1
Region VIII	Calbayog City	303649	R. Lentejas Mem. School Of Fisheries	CALBAYOG CITY	Food and Beverage Services (NC II)	2
Region VIII	Calbayog City	500807	Bagacay Integrated School	CALBAYOG CITY	Housekeeping (NC II)	1
Region VIII	Catbalogan City	303621	Guinsorongan NHS	CITY OF CATBALOGAN (Capital)	Cookery (NC II)	2
Region VIII	Catbalogan City	303620	Samar National School	CITY OF CATBALOGAN (Capital)	Cookery (NC II)	1
Region VIII	Catbalogan City	303621	Guinsorongan NHS	CITY OF CATBALOGAN (Capital)	Dressmaking (NC II)	1
Region VIII	Catbalogan City	303621	Guinsorongan NHS	CITY OF CATBALOGAN (Capital)	Housekeeping (NC II)	2
Region VIII	Catbalogan City	303621	Guinsorongan NHS	CITY OF CATBALOGAN (Capital)	Shielded Metal Arc Welding (NC II)	1
Region VIII	Eastern Samar	303499	Dolores National High School	DOLORES	Agricultural Crops Production (NC I)	1
Region VIII	Eastern Samar	313509	Salcedo Vocational High School	SALCEDO	Agricultural Crops Production (NC I)	1
Region VIII	Eastern Samar	303501	Gen. MacArthur National Agricultural School	GENERAL MACARTHUR	Agricultural Crops Production (NC I)	1
Region VIII	Eastern Samar	303523	Samar National Pilot Opportunity School	SAN POLICARPO	Agricultural Crops Production (NC I)	1
Region VIII	Eastern Samar	303516	Matarinao School of Fisheries	SALCEDO	Aquaculture (NC II)	1
Region VIII	Eastern Samar	303499	Dolores National High School	DOLORES	Cookery (NC II)	2
Region VIII	Eastern Samar	303503	Guiuan National High School	GUIUAN	Cookery (NC II)	2
Region VIII	Eastern Samar	303529	Taft National High School	TAFT	Cookery (NC II)	2
Region VIII	Eastern Samar	303520	Oras National High School	ORAS	Cookery (NC II)	2
Region VIII	Eastern Samar	303494	Arteche National High School	ARTECHE	Cookery (NC II)	2
Region VIII	Eastern Samar	313502	Southern Samar National Comprehensive High School	BALANGIGA	Cookery (NC II)	1
Region VIII	Eastern Samar	303524	San Julian National High School	SAN JULIAN	Cookery (NC II)	1
Region VIII	Eastern Samar	303512	Lawaan National School of Craftsmanship	LAWAAN	Cookery (NC II)	1
Region VIII	Eastern Samar	303505	Pedro E. Candido Memorial National High School	HERNANI	Cookery (NC II)	1
Region VIII	Eastern Samar	303527	Sulat National High School	SULAT	Cookery (NC II)	1
Region VIII	Eastern Samar	303513	Llorente National High School	LLORENTE	Cookery (NC II)	1
Region VIII	Eastern Samar	303523	Samar National Pilot Opportunity School	SAN POLICARPO	Cookery (NC II)	1
Region VIII	Eastern Samar	313509	Salcedo Vocational High School	SALCEDO	Cookery (NC II)	1
Region VIII	Eastern Samar	303502	Giporlos National Trade School	GIPORLOS	Cookery (NC II)	1
Region VIII	Eastern Samar	313514	Maydolong National High School	MAYDOLONG	Cookery (NC II)	1
Region VIII	Eastern Samar	303495	Balangkayan National High School	BALANGKAYAN	Cookery (NC II)	1
Region VIII	Eastern Samar	303499	Dolores National High School	DOLORES	Food and Beverage Services (NC II)	2
Region VIII	Eastern Samar	303503	Guiuan National High School	GUIUAN	Food and Beverage Services (NC II)	2
Region VIII	Eastern Samar	303494	Arteche National High School	ARTECHE	Food and Beverage Services (NC II)	2
Region VIII	Eastern Samar	303529	Taft National High School	TAFT	Food and Beverage Services (NC II)	2
Region VIII	Eastern Samar	303520	Oras National High School	ORAS	Food and Beverage Services (NC II)	2
Region VIII	Eastern Samar	313502	Southern Samar National Comprehensive High School	BALANGIGA	Food and Beverage Services (NC II)	1
Region VIII	Eastern Samar	303524	San Julian National High School	SAN JULIAN	Food and Beverage Services (NC II)	1
Region VIII	Eastern Samar	303512	Lawaan National School of Craftsmanship	LAWAAN	Food and Beverage Services (NC II)	1
Region VIII	Eastern Samar	303505	Pedro E. Candido Memorial National High School	HERNANI	Food and Beverage Services (NC II)	1
Region VIII	Eastern Samar	303527	Sulat National High School	SULAT	Food and Beverage Services (NC II)	1
Region VIII	Eastern Samar	303513	Llorente National High School	LLORENTE	Food and Beverage Services (NC II)	1
Region VIII	Eastern Samar	303523	Samar National Pilot Opportunity School	SAN POLICARPO	Food and Beverage Services (NC II)	1
Region VIII	Eastern Samar	313509	Salcedo Vocational High School	SALCEDO	Food and Beverage Services (NC II)	1
Region VIII	Eastern Samar	303502	Giporlos National Trade School	GIPORLOS	Food and Beverage Services (NC II)	1
Region VIII	Eastern Samar	313514	Maydolong National High School	MAYDOLONG	Food and Beverage Services (NC II)	1



DEPARTMENT OF EDUCATION
BUREAU OF LEARNING RESOURCES
FY 2018 TVL Tools and Equipment Allocation List

Lot No. 3 Mass Production

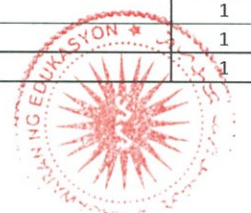
Region	Division	School_id	School_name	Municipality	Program/Specialization (EBEIS)	2018 No. of Packages
Region VIII	Eastern Samar	303495	Balangkayan National High School	BALANGKAYAN	Food and Beverage Services (NC II)	1
Region VIII	Eastern Samar	313501	Can-avid National High School	CAN-AVID	Horticulture (NC II)	1
Region VIII	Eastern Samar	313501	Can-avid National High School	CAN-AVID	Housekeeping (NC II)	2
Region VIII	Eastern Samar	303512	Lawaan National School of Craftsmanship	LAWAAN	Housekeeping (NC II)	1
Region VIII	Eastern Samar	303523	Samar National Pilot Opportunity School	SAN POLICARPO	Housekeeping (NC II)	1
Region VIII	Eastern Samar	303494	Arteche National High School	ARTECHE	Housekeeping (NC II)	1
Region VIII	Eastern Samar	303499	Dolores National High School	DOLORES	Organic Agriculture (NC II)	1
Region VIII	Eastern Samar	313509	Salcedo Vocational High School	SALCEDO	Organic Agriculture (NC II)	1
Region VIII	Eastern Samar	303501	Gen. MacArthur National Agricultural School	GENERAL MACARTHUR	Organic Agriculture (NC II)	1
Region VIII	Eastern Samar	303523	Samar National Pilot Opportunity School	SAN POLICARPO	Organic Agriculture (NC II)	1
Region VIII	Eastern Samar	313514	Maydolong National High School	MAYDOLONG	Organic Agriculture (NC II)	1
Region VIII	Eastern Samar	303513	Llorente National High School	LLORENTE	Shielded Metal Arc Welding (NC II)	1
Region VIII	Eastern Samar	303502	Giporlos National Trade School	GIPORLOS	Shielded Metal Arc Welding (NC II)	1
Region VIII	Eastern Samar	303520	Oras National High School	ORAS	Shielded Metal Arc Welding (NC II)	1
Region VIII	Eastern Samar	313501	Can-avid National High School	CAN-AVID	Tailoring (NC II)	2
Region VIII	Leyte	303430	Sta. Fe National High School	SANTA FE	Agricultural Crops Production (NC I)	1
Region VIII	Leyte	303353	Burauen Comprehensive National High School	BARAUEN	Cookery (NC II)	2
Region VIII	Leyte	303362	Carigara National Vocational School	CARIGARA	Cookery (NC II)	2
Region VIII	Leyte	303368	Dr. Geronimo B. Zaldivar Memorial School	ALBUERA	Cookery (NC II)	2
Region VIII	Leyte	303369	Dulag National High School	DULAG	Cookery (NC II)	2
Region VIII	Leyte	303371	Granja-Kalinawan National High School	JARO	Cookery (NC II)	2
Region VIII	Leyte	313307	Jugaban National High School	CARIGARA	Cookery (NC II)	2
Region VIII	Leyte	303440	Tolosa National High School	TOLOSA	Cookery (NC II)	2
Region VIII	Leyte	303358	Calubian National High School (Calubian)	CALUBIAN	Cookery (NC II)	2
Region VIII	Leyte	303355	Cabacungan National High School	DULAG	Cookery (NC II)	2
Region VIII	Leyte	303388	Tanauan Sch. Of Craftsmanship & Home	TANAUAN	Cookery (NC II)	2
Region VIII	Leyte	313306	Palompon National High School	PALOMPON	Cookery (NC II)	2
Region VIII	Leyte	303342	Atty. Roque A. Marcos Memorial School	LA PAZ	Cookery (NC II)	2
Region VIII	Leyte	303432	Sta. Mesa National High School	DAGAMI	Cookery (NC II)	2
Region VIII	Leyte	303366	Damulaan National High School	ALBUERA	Cookery (NC II)	2
Region VIII	Leyte	303338	Anahawan National High School	BATO	Cookery (NC II)	2
Region VIII	Leyte	303380	Juan Villablanca Memorial High School	PASTRANA	Cookery (NC II)	2
Region VIII	Leyte	303442	Villaba National Comprehensive High School	VILLABA	Cookery (NC II)	2
Region VIII	Leyte	303398	Mahaplag National High School	MAHAPLAG	Cookery (NC II)	2
Region VIII	Leyte	303441	Gregorio C. Catenza NHS (Tunga NHS)	TUNGA	Cookery (NC II)	2
Region VIII	Leyte	303354	Burauen National High School	BARAUEN	Cookery (NC II)	2
Region VIII	Leyte	303403	Marcelino R. Veloso National High School	TABANGO	Cookery (NC II)	1
Region VIII	Leyte	303407	Mayorga National High School	MAYORGA	Cookery (NC II)	1
Region VIII	Leyte	303344	Balocawehay National High School	ABUYOG	Cookery (NC II)	1
Region VIII	Leyte	303379	Javier National High School	JAVIER (BUGHO)	Cookery (NC II)	1
Region VIII	Leyte	303397	Macarthur National High School	MACARTHUR	Cookery (NC II)	1
Region VIII	Leyte	303395	Lim-ao National High School	KANANGA	Cookery (NC II)	1
Region VIII	Leyte	313302	Isabel National Comprehensive High School	ISABEL	Cookery (NC II)	1
Region VIII	Leyte	303346	Bato National High School	BATO	Cookery (NC II)	1
Region VIII	Leyte	303343	Juan S. Tismo National High School (Babatngon)	BABATNGON	Cookery (NC II)	1
Region VIII	Leyte	303387	Leyte Agro-Industrial School	LEYTE	Cookery (NC II)	1
Region VIII	Leyte	303423	San Isidro National High School	SAN ISIDRO	Cookery (NC II)	1
Region VIII	Leyte	303405	Matalom National High School	MATALOM	Cookery (NC II)	1
Region VIII	Leyte	303361	Carigara National High School	CARIGARA	Dressmaking (NC II)	1
Region VIII	Leyte	303380	Juan Villablanca Memorial High School	PASTRANA	Dressmaking (NC II)	1
Region VIII	Leyte	303387	Leyte Agro-Industrial School	LEYTE	Dressmaking (NC II)	1
Region VIII	Leyte	303362	Carigara National Vocational School	CARIGARA	Food and Beverage Services (NC II)	2



DEPARTMENT OF EDUCATION
BUREAU OF LEARNING RESOURCES
FY 2018 TVL Tools and Equipment Allocation List

Lot No. 3 Mass Production

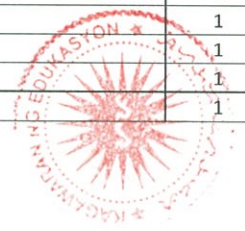
Region	Division	School_id	School_name	Municipality	Program/Specialization (EBEIS)	2018 No. of Packages
Region VIII	Leyte	303368	Dr. Geronimo B. Zaldivar Memorial Scho	ALBUERA	Food and Beverage Services (NC II)	2
Region VIII	Leyte	303369	Dulag National High School	DULAG	Food and Beverage Services (NC II)	2
Region VIII	Leyte	303371	Granja-Kalinawan National High School	JARO	Food and Beverage Services (NC II)	2
Region VIII	Leyte	313307	Jugaban National High School	CARIGARA	Food and Beverage Services (NC II)	2
Region VIII	Leyte	303440	Tolosa National High School	TOLOSA	Food and Beverage Services (NC II)	2
Region VIII	Leyte	303358	Calubian National High School (Calubian	CALUBIAN	Food and Beverage Services (NC II)	2
Region VIII	Leyte	303355	Cabacungan National High School	DULAG	Food and Beverage Services (NC II)	2
Region VIII	Leyte	303388	Tanauan Sch. Of Craftsmanship & Home	TANAUAN	Food and Beverage Services (NC II)	2
Region VIII	Leyte	313306	Palompon National High School	PALOMPON	Food and Beverage Services (NC II)	2
Region VIII	Leyte	303342	Atty. Roque A. Marcos Memorial School	LA PAZ	Food and Beverage Services (NC II)	2
Region VIII	Leyte	303432	Sta. Mesa National High School	DAGAMI	Food and Beverage Services (NC II)	2
Region VIII	Leyte	303366	Damulaan National High School	ALBUERA	Food and Beverage Services (NC II)	2
Region VIII	Leyte	303338	Anahawan National High School	BATO	Food and Beverage Services (NC II)	2
Region VIII	Leyte	303380	Juan Villablanca Memorial High School	PASTRANA	Food and Beverage Services (NC II)	2
Region VIII	Leyte	303442	Villaba National Comprehensive High Sch	VILLABA	Food and Beverage Services (NC II)	2
Region VIII	Leyte	303398	Mahaplag National High School	MAHAPLAG	Food and Beverage Services (NC II)	2
Region VIII	Leyte	303441	Gregorio C. Catenza NHS (Tunga NHS)	TUNGA	Food and Beverage Services (NC II)	2
Region VIII	Leyte	303354	Burauen National High School	BARAUEN	Food and Beverage Services (NC II)	2
Region VIII	Leyte	303403	Marcelino R. Veloso National High Schoo	TABANGO	Food and Beverage Services (NC II)	1
Region VIII	Leyte	303407	Mayorga National High School	MAYORGA	Food and Beverage Services (NC II)	1
Region VIII	Leyte	303344	Balocawehay National High School	ABUYOG	Food and Beverage Services (NC II)	1
Region VIII	Leyte	303379	Javier National High School	JAVIER (BUGHO)	Food and Beverage Services (NC II)	1
Region VIII	Leyte	303397	Macarthur National High School	MACARTHUR	Food and Beverage Services (NC II)	1
Region VIII	Leyte	303395	Lim-ao National High School	KANANGA	Food and Beverage Services (NC II)	1
Region VIII	Leyte	313302	Isabel National Comprehensive High Sch	ISABEL	Food and Beverage Services (NC II)	1
Region VIII	Leyte	303346	Bato National High School	BATO	Food and Beverage Services (NC II)	1
Region VIII	Leyte	303343	Juan S. Tismo National High School (Baba	BABATNGON	Food and Beverage Services (NC II)	1
Region VIII	Leyte	303387	Leyte Agro-Industrial School	LEYTE	Food and Beverage Services (NC II)	1
Region VIII	Leyte	303423	San Isidro National High School	SAN ISIDRO	Food and Beverage Services (NC II)	1
Region VIII	Leyte	303405	Matalom National High School	MATALOM	Food and Beverage Services (NC II)	1
Region VIII	Leyte	303358	Calubian National High School (Calubian	CALUBIAN	Horticulture (NC II)	2
Region VIII	Leyte	303387	Leyte Agro-Industrial School	LEYTE	Horticulture (NC II)	1
Region VIII	Leyte	303432	Sta. Mesa National High School	DAGAMI	Horticulture (NC II)	1
Region VIII	Leyte	303395	Lim-ao National High School	KANANGA	Horticulture (NC II)	1
Region VIII	Leyte	303362	Carigara National Vocational School	CARIGARA	Horticulture (NC II)	1
Region VIII	Leyte	303371	Granja-Kalinawan National High School	JARO	Organic Agriculture (NC II)	1
Region VIII	Leyte	303361	Carigara National High School	CARIGARA	Shielded Metal Arc Welding (NC I and NC II)	1
Region VIII	Leyte	303408	Merida Vocational School	MERIDA	Shielded Metal Arc Welding (NC I and NC II)	2
Region VIII	Leyte	303398	Mahaplag National High School	MAHAPLAG	Shielded Metal Arc Welding (NC I and NC II)	2
Region VIII	Leyte	303371	Granja-Kalinawan National High School	JARO	Shielded Metal Arc Welding (NC I and NC II)	2
Region VIII	Leyte	303346	Bato National High School	BATO	Shielded Metal Arc Welding (NC I and NC II)	2
Region VIII	Leyte	303435	Taberna National High School	PALOMPON	Shielded Metal Arc Welding (NC I and NC II)	1
Region VIII	Leyte	303442	Villaba National Comprehensive High Sch	VILLABA	Shielded Metal Arc Welding (NC I and NC II)	1
Region VIII	Leyte	303343	Juan S. Tismo National High School (Baba	BABATNGON	Shielded Metal Arc Welding (NC I and NC II)	1
Region VIII	Leyte	303423	San Isidro National High School	SAN ISIDRO	Shielded Metal Arc Welding (NC I and NC II)	1
Region VIII	Leyte	303432	Sta. Mesa National High School	DAGAMI	Shielded Metal Arc Welding (NC I and NC II)	1
Region VIII	Leyte	303403	Marcelino R. Veloso National High Schoo	TABANGO	Shielded Metal Arc Welding (NC I and NC II)	1
Region VIII	Leyte	303405	Matalom National High School	MATALOM	Shielded Metal Arc Welding (NC I and NC II)	1
Region VIII	Leyte	303392	Alangalang Agro-Industrial School (LSU -	ALANGALANG	Shielded Metal Arc Welding (NC II)	1
Region VIII	Leyte	303361	Carigara National High School	CARIGARA	Tailoring (NC II)	1
Region VIII	Leyte	303380	Juan Villablanca Memorial High School	PASTRANA	Tailoring (NC II)	1
Region VIII	Leyte	303387	Leyte Agro-Industrial School	LEYTE	Tailoring (NC II)	1



DEPARTMENT OF EDUCATION
BUREAU OF LEARNING RESOURCES
FY 2018 TVL Tools and Equipment Allocation List

Lot No. 3 Mass Production

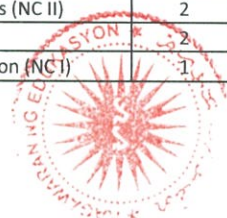
Region	Division	School_id	School_name	Municipality	Program/Specialization (EBEIS)	2018 No. of Packages
Region VIII	Maasin City	303454	Dongon NHS	CITY OF MAASIN (Capital)	Food and Beverage Services (NC II)	1
Region VIII	Maasin City	303454	Dongon NHS	CITY OF MAASIN (Capital)	Housekeeping (NC II)	1
Region VIII	Northern Samar	303570	Polangi National High School	CATARMAN (Capital)	Agricultural Crops Production (NC I)	1
Region VIII	Northern Samar	303559	Lorenzo S. Menzon AIS	LAPINIG	Agricultural Crops Production (NC I)	1
Region VIII	Northern Samar	303556	Laoang National Technical High School	LAOANG	Cookery (NC II)	2
Region VIII	Northern Samar	303584	SUMOROY AGRO-INDUSTRIAL SCHOOL	PALAPAG	Cookery (NC II)	2
Region VIII	Northern Samar	344946	Lope de Vega NHS (Stand Alone)	LOPE DE VEGA	Cookery (NC II)	2
Region VIII	Northern Samar	303575	San Antonio Agricultural & Vocational School	SAN ANTONIO	Cookery (NC II)	2
Region VIII	Northern Samar	303561	Basilio B. Chan Mem. Agricultural and Industrial School	LAVEZARES	Cookery (NC II)	2
Region VIII	Northern Samar	303551	Gala Vocational School	GAMAY	Cookery (NC II)	2
Region VIII	Northern Samar	303577	San Isidro Agro-Industrial High School	SAN ISIDRO	Cookery (NC II)	2
Region VIII	Northern Samar	303535	Bobon School for Philippine Craftsmen	BOBON	Cookery (NC II)	1
Region VIII	Northern Samar	303566	Mondragon Agro-Ind'L HS	MONDRAGON	Cookery (NC II)	1
Region VIII	Northern Samar	344947	Victoria SHS (Stand Alone)	VICTORIA	Cookery (NC II)	1
Region VIII	Northern Samar	303586	Vigo National High School	LAOANG	Cookery (NC II)	1
Region VIII	Northern Samar	303584	SUMOROY AGRO-INDUSTRIAL SCHOOL	PALAPAG	Dressmaking (NC II)	1
Region VIII	Northern Samar	303551	Gala Vocational School	GAMAY	Dressmaking (NC II)	1
Region VIII	Northern Samar	303556	Laoang National Technical High School	LAOANG	Food and Beverage Services (NC II)	2
Region VIII	Northern Samar	303584	SUMOROY AGRO-INDUSTRIAL SCHOOL	PALAPAG	Food and Beverage Services (NC II)	2
Region VIII	Northern Samar	303575	San Antonio Agricultural & Vocational School	SAN ANTONIO	Food and Beverage Services (NC II)	2
Region VIII	Northern Samar	303561	Basilio B. Chan Mem. Agricultural and Industrial School	LAVEZARES	Food and Beverage Services (NC II)	2
Region VIII	Northern Samar	303551	Gala Vocational School	GAMAY	Food and Beverage Services (NC II)	2
Region VIII	Northern Samar	303577	San Isidro Agro-Industrial High School	SAN ISIDRO	Food and Beverage Services (NC II)	2
Region VIII	Northern Samar	303534	BIRI NATIONAL HIGH SCHOOL	BIRI	Food and Beverage Services (NC II)	1
Region VIII	Northern Samar	303535	Bobon School for Philippine Craftsmen	BOBON	Food and Beverage Services (NC II)	1
Region VIII	Northern Samar	303566	Mondragon Agro-Ind'L HS	MONDRAGON	Food and Beverage Services (NC II)	1
Region VIII	Northern Samar	344946	Lope de Vega NHS (Stand Alone)	LOPE DE VEGA	Food and Beverage Services (NC II)	1
Region VIII	Northern Samar	344947	Victoria SHS (Stand Alone)	VICTORIA	Food and Beverage Services (NC II)	1
Region VIII	Northern Samar	303586	Vigo National High School	LAOANG	Food and Beverage Services (NC II)	1
Region VIII	Northern Samar	303584	SUMOROY AGRO-INDUSTRIAL SCHOOL	PALAPAG	Horticulture (NC II)	1
Region VIII	Northern Samar	303544	Catubig Valley NHS	CATUBIG	Horticulture (NC II)	1
Region VIII	Northern Samar	303577	San Isidro Agro-Industrial High School	SAN ISIDRO	Horticulture (NC II)	1
Region VIII	Northern Samar	303570	Polangi National High School	CATARMAN (Capital)	Organic Agriculture (NC II)	1
Region VIII	Northern Samar	303559	Lorenzo S. Menzon AIS	LAPINIG	Organic Agriculture (NC II)	1
Region VIII	Northern Samar	303580	San Jose Technical HS	SAN JOSE	Shielded Metal Arc Welding (NC I and NC II)	1
Region VIII	Northern Samar	303566	Mondragon Agro-Ind'L HS	MONDRAGON	Shielded Metal Arc Welding (NC I and NC II)	1
Region VIII	Northern Samar	303584	SUMOROY AGRO-INDUSTRIAL SCHOOL	PALAPAG	Tailoring (NC II)	1
Region VIII	Northern Samar	303551	Gala Vocational School	GAMAY	Tailoring (NC II)	1
Region VIII	Ormoc City	313904	Matica-a National High School	ORMOC CITY	Cookery (NC II)	1
Region VIII	Ormoc City	303661	Genaro B. Lureana National High School	ORMOC CITY	Cookery (NC II)	1
Region VIII	Ormoc City	313904	Matica-a National High School	ORMOC CITY	Food and Beverage Services (NC II)	1
Region VIII	Samar (Western Samar)	303597	CALBIGA NHS	CALBIGA	Cookery (NC II)	2
Region VIII	Samar (Western Samar)	303618	Ramon T. Diaz NHS	GANDARA	Cookery (NC II)	2
Region VIII	Samar (Western Samar)	303599	Clarencio Calagos Mem SOF	SANTA MARGARITA	Cookery (NC II)	2
Region VIII	Samar (Western Samar)	303628	Simeon Ocdol NHS	BASEY	Cookery (NC II)	2
Region VIII	Samar (Western Samar)	303639	Villareal NHS	VILLAREAL	Cookery (NC II)	1
Region VIII	Samar (Western Samar)	313708	San Jorge NHS	SAN JORGE	Cookery (NC II)	1
Region VIII	Samar (Western Samar)	303601	Daram NHS	DARAM	Cookery (NC II)	1
Region VIII	Samar (Western Samar)	303640	Quintin Quijano SAS	PINABACDAO	Cookery (NC II)	1
Region VIII	Samar (Western Samar)	303636	Tominamos IS	SANTA RITA	Cookery (NC II)	1
Region VIII	Samar (Western Samar)	303637	Valeriano C. Yancha MAS	BASEY	Cookery (NC II)	1
Region VIII	Samar (Western Samar)	303594	Old San Agustin NHS	BASEY	Cookery (NC II)	1



DEPARTMENT OF EDUCATION
BUREAU OF LEARNING RESOURCES
FY 2018 TVL Tools and Equipment Allocation List

Lot No. 3 Mass Production

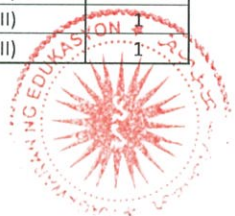
Region	Division	School_id	School_name	Municipality	Program/Specialization (EBEIS)	2018 No. of Packages
Region VIII	Samar (Western S	303614	Osmeña NHS	MARABUT	Cookery (NC II)	1
Region VIII	Samar (Western S	303632	Sto. Nino NHS	SANTO NIÑO	Cookery (NC II)	1
Region VIII	Samar (Western S	303608	Independencia NHS	TALALORA	Cookery (NC II)	1
Region VIII	Samar (Western S	303643	Zumarraga NHS	ZUMARRAGA	Cookery (NC II)	1
Region VIII	Samar (Western S	303636	Tominamos IS	SANTA RITA	Dressmaking (NC II)	1
Region VIII	Samar (Western S	303618	Ramon T. Diaz NHS	GANDARA	Dressmaking (NC II)	1
Region VIII	Samar (Western S	303601	Daram NHS	DARAM	Dressmaking (NC II)	1
Region VIII	Samar (Western S	303597	CALBIGA NHS	CALBIGA	Food and Beverage Services (NC II)	2
Region VIII	Samar (Western S	303618	Ramon T. Diaz NHS	GANDARA	Food and Beverage Services (NC II)	2
Region VIII	Samar (Western S	303599	Clarencio Calagos Mem SOF	SANTA MARGARITA	Food and Beverage Services (NC II)	2
Region VIII	Samar (Western S	303628	Simeon Ocdol NHS	BASEY	Food and Beverage Services (NC II)	2
Region VIII	Samar (Western S	303639	Villareal NHS	VILLAREAL	Food and Beverage Services (NC II)	1
Region VIII	Samar (Western S	313708	San Jorge NHS	SAN JORGE	Food and Beverage Services (NC II)	1
Region VIII	Samar (Western S	303601	Daram NHS	DARAM	Food and Beverage Services (NC II)	1
Region VIII	Samar (Western S	303640	Quintin Quijano SAS	PINABACDAO	Food and Beverage Services (NC II)	1
Region VIII	Samar (Western S	303637	Valeriano C. Yancha MAS	BASEY	Food and Beverage Services (NC II)	1
Region VIII	Samar (Western S	303594	Old San Agustin NHS	BASEY	Food and Beverage Services (NC II)	1
Region VIII	Samar (Western S	303614	Osmeña NHS	MARABUT	Food and Beverage Services (NC II)	1
Region VIII	Samar (Western S	303632	Sto. Nino NHS	SANTO NIÑO	Food and Beverage Services (NC II)	1
Region VIII	Samar (Western S	303608	Independencia NHS	TALALORA	Food and Beverage Services (NC II)	1
Region VIII	Samar (Western S	303643	Zumarraga NHS	ZUMARRAGA	Food and Beverage Services (NC II)	1
Region VIII	Samar (Western S	303637	Valeriano C. Yancha MAS	BASEY	Horticulture (NC II)	1
Region VIII	Samar (Western S	303640	Quintin Quijano SAS	PINABACDAO	Horticulture (NC II)	1
Region VIII	Samar (Western S	303601	Daram NHS	DARAM	Housekeeping (NC II)	1
Region VIII	Samar (Western S	303609	Jiabong National High School	JIABONG	Shielded Metal Arc Welding (NC I and NC II)	2
Region VIII	Samar (Western S	303618	Ramon T. Diaz NHS	GANDARA	Tailoring (NC II)	1
Region VIII	Samar (Western S	303597	CALBIGA NHS	CALBIGA	Travel Services (NC II)	1
Region VIII	Southern Leyte	303472	Rito Monte de Ramos Sr. MHS (Nahaong	LIBAGON	Cookery (NC II)	2
Region VIII	Southern Leyte	303462	Ichon Integrated Senior High School	MACROHON	Cookery (NC II)	2
Region VIII	Southern Leyte	313403	Bontoc National High School	BONTOC	Cookery (NC II)	2
Region VIII	Southern Leyte	313409	Liloan National Technical Vocational High	LILOAN	Cookery (NC II)	2
Region VIII	Southern Leyte	303466	Lungsodaan National High School	HINUNDAYAN	Cookery (NC II)	2
Region VIII	Southern Leyte	303488	Sta. Cruz NHS	MALITBOG	Cookery (NC II)	2
Region VIII	Southern Leyte	303492	VILLA JACINTA NATIONAL VOCATIONAL HIGH	MACROHON	Cookery (NC II)	2
Region VIII	Southern Leyte	303477	Pintuyan National Vocational High School	PINTUYAN	Cookery (NC II)	2
Region VIII	Southern Leyte	303447	Hinunangan National High School	HINUNANGAN	Cookery (NC II)	1
Region VIII	Southern Leyte	303481	San Juan NHS	SAN JUAN (CABALIAN)	Cookery (NC II)	1
Region VIII	Southern Leyte	313409	Liloan National Technical Vocational High	LILOAN	Dressmaking (NC II)	2
Region VIII	Southern Leyte	303462	Ichon Integrated Senior High School	MACROHON	Food and Beverage Services (NC II)	2
Region VIII	Southern Leyte	303466	Lungsodaan National High School	HINUNDAYAN	Food and Beverage Services (NC II)	2
Region VIII	Southern Leyte	303492	VILLA JACINTA NATIONAL VOCATIONAL HIGH	MACROHON	Food and Beverage Services (NC II)	2
Region VIII	Southern Leyte	303447	Hinunangan National High School	HINUNANGAN	Food and Beverage Services (NC II)	1
Region VIII	Southern Leyte	313403	Bontoc National High School	BONTOC	Horticulture (NC II)	2
Region VIII	Southern Leyte	303472	Rito Monte de Ramos Sr. MHS (Nahaong	LIBAGON	Housekeeping (NC II)	2
Region VIII	Southern Leyte	303477	Pintuyan National Vocational High School	PINTUYAN	Housekeeping (NC II)	2
Region VIII	Southern Leyte	303481	San Juan NHS	SAN JUAN (CABALIAN)	Housekeeping (NC II)	1
Region VIII	Southern Leyte	313409	Liloan National Technical Vocational High	LILOAN	Shielded Metal Arc Welding (NC I and NC II)	1
Region VIII	Southern Leyte	303477	Pintuyan National Vocational High School	PINTUYAN	Shielded Metal Arc Welding (NC I and NC II)	1
Region VIII	Tacloban City	303666	Sagkahan National High School	TACLOBAN CITY (Capital)	Cookery (NC II)	2
Region VIII	Tacloban City	303666	Sagkahan National High School	TACLOBAN CITY (Capital)	Food and Beverage Services (NC II)	2
Region VIII	Tacloban City	303666	Sagkahan National High School	TACLOBAN CITY (Capital)	Housekeeping (NC II)	2
Region X	Bukidnon	314930	Quezon NHS - Apyao Annex	QUEZON	Agricultural Crops Production (NC I)	1



DEPARTMENT OF EDUCATION
BUREAU OF LEARNING RESOURCES
FY 2018 TVL Tools and Equipment Allocation List

Lot No. 3 Mass Production

Region	Division	School_id	School_name	Municipality	Program/Specialization (EBEIS)	2018 No. of Packages
Region X	Bukidnon	303952	Cabulohan-Paradise NHS	CABANGLASAN	Agricultural Crops Production (NC I)	1
Region X	Bukidnon	303951	Bukidnon NSHI	MARAMAG	Cookery (NC II)	2
Region X	Bukidnon	303958	Kalilangan National High School	KALILANGAN	Cookery (NC II)	2
Region X	Bukidnon	314903	San Vicente National High School	SUMILAO	Cookery (NC II)	2
Region X	Bukidnon	303974	Manolo Fortich NHS	MANOLO FORTICH	Cookery (NC II)	2
Region X	Bukidnon	303985	Sinuda National High School	KITAOTAO	Cookery (NC II)	2
Region X	Bukidnon	303976	Old Damulog NHS	DAMULOG	Cookery (NC II)	1
Region X	Bukidnon	303967	Lantapan National High School	ANTAPAN	Cookery (NC II)	1
Region X	Bukidnon	303955	Halapitan National High School	SAN FERNANDO	Cookery (NC II)	1
Region X	Bukidnon	303961	Kiburiao National High School	QUEZON	Cookery (NC II)	1
Region X	Bukidnon	303965	KUYA NATIONAL HIGH SCHOOL	MARAMAG	Cookery (NC II)	1
Region X	Bukidnon	303947	Baungon National High School	BAUNGON	Cookery (NC II)	1
Region X	Bukidnon	314908	Cabulohan-Paradise NHS - Townsite Ann	CABANGLASAN	Cookery (NC II)	1
Region X	Bukidnon	303980	San Andres National High School	KADINGILAN	Cookery (NC II)	1
Region X	Bukidnon	303968	Libona NHS	LIBONA	Cookery (NC II)	1
Region X	Bukidnon	303944	Alae NHS	MANOLO FORTICH	Cookery (NC II)	1
Region X	Bukidnon	303979	Salawagan NHS	QUEZON	Cookery (NC II)	1
Region X	Bukidnon	303951	Bukidnon NSHI	MARAMAG	Food and Beverage Services (NC II)	2
Region X	Bukidnon	303958	Kalilangan National High School	KALILANGAN	Food and Beverage Services (NC II)	2
Region X	Bukidnon	303974	Manolo Fortich NHS	MANOLO FORTICH	Food and Beverage Services (NC II)	2
Region X	Bukidnon	303976	Old Damulog NHS	DAMULOG	Food and Beverage Services (NC II)	1
Region X	Bukidnon	303967	Lantapan National High School	ANTAPAN	Food and Beverage Services (NC II)	1
Region X	Bukidnon	303955	Halapitan National High School	SAN FERNANDO	Food and Beverage Services (NC II)	1
Region X	Bukidnon	303965	KUYA NATIONAL HIGH SCHOOL	MARAMAG	Food and Beverage Services (NC II)	1
Region X	Bukidnon	303947	Baungon National High School	BAUNGON	Food and Beverage Services (NC II)	1
Region X	Bukidnon	303980	San Andres National High School	KADINGILAN	Food and Beverage Services (NC II)	1
Region X	Bukidnon	303968	Libona NHS	LIBONA	Food and Beverage Services (NC II)	1
Region X	Bukidnon	303944	Alae NHS	MANOLO FORTICH	Food and Beverage Services (NC II)	1
Region X	Bukidnon	303968	Libona NHS	LIBONA	Horticulture (NC II)	1
Region X	Bukidnon	314919	Tikalaan National High School	TALAKAG	Horticulture (NC II)	1
Region X	Bukidnon	303974	Manolo Fortich NHS	MANOLO FORTICH	Horticulture (NC II)	1
Region X	Bukidnon	303951	Bukidnon NSHI	MARAMAG	Horticulture (NC II)	1
Region X	Bukidnon	303947	Baungon National High School	BAUNGON	Horticulture (NC II)	1
Region X	Bukidnon	303967	Lantapan National High School	ANTAPAN	Horticulture (NC II)	1
Region X	Bukidnon	314908	Cabulohan-Paradise NHS - Townsite Ann	CABANGLASAN	Horticulture (NC II)	1
Region X	Bukidnon	303961	Kiburiao National High School	QUEZON	Housekeeping (NC II)	1
Region X	Bukidnon	314908	Cabulohan-Paradise NHS - Townsite Ann	CABANGLASAN	Housekeeping (NC II)	1
Region X	Bukidnon	303968	Libona NHS	LIBONA	Housekeeping (NC II)	1
Region X	Bukidnon	303979	Salawagan NHS	QUEZON	Housekeeping (NC II)	1
Region X	Bukidnon	303952	Cabulohan-Paradise NHS	CABANGLASAN	Organic Agriculture (NC II)	1
Region X	Bukidnon	303972	Malitbog Nat. Agr'l. HS	MALITBOG	Organic Agriculture (NC II)	1
Region X	Bukidnon	303967	Lantapan National High School	ANTAPAN	Shielded Metal Arc Welding (NC I and NC II)	1
Region X	Bukidnon	303978	Pangantucan NHS	PANGANTUCAN	Shielded Metal Arc Welding (NC I and NC II)	1
Region X	Bukidnon	303974	Manolo Fortich NHS	MANOLO FORTICH	Shielded Metal Arc Welding (NC I)	2
Region X	Bukidnon	303960	KIBAWA NATIONAL HIGH SCHOOL	KIBAWA	Shielded Metal Arc Welding (NC I)	1
Region X	Bukidnon	314913	Don Carlos NHS	DON CARLOS	Shielded Metal Arc Welding (NC I)	1
Region X	Bukidnon	303944	Alae NHS	MANOLO FORTICH	Shielded Metal Arc Welding (NC II)	2
Region X	Bukidnon	303980	San Andres National High School	KADINGILAN	Shielded Metal Arc Welding (NC II)	2
Region X	Bukidnon	303985	Sinuda National High School	KITAOTAO	Shielded Metal Arc Welding (NC II)	2
Region X	Bukidnon	303961	Kiburiao National High School	QUEZON	Shielded Metal Arc Welding (NC II)	1
Region X	Bukidnon	314929	Macapari NHS	DAMULOG	Shielded Metal Arc Welding (NC II)	1
Region X	Bukidnon	303986	Sumilao NHS	SUMILAO	Shielded Metal Arc Welding (NC II)	1



DEPARTMENT OF EDUCATION
BUREAU OF LEARNING RESOURCES
FY 2018 TVL Tools and Equipment Allocation List

Lot No. 3 Mass Production

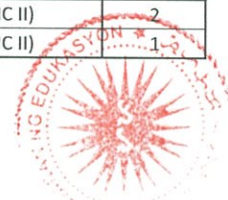
Region	Division	School_id	School_name	Municipality	Program/Specialization (EBEIS)	2018 No. of Packages
Region X	Cagayan de Oro C	304111	CAGAYAN DE ORO NATIONAL HIGH SCHOOL	CAGAYAN DE ORO CITY (Capital)	Cookery (NC II)	2
Region X	Cagayan de Oro C	304108	Bulua National High School	CAGAYAN DE ORO CITY (Capital)	Cookery (NC II)	1
Region X	Cagayan de Oro C	304116	Indahag National High School	CAGAYAN DE ORO CITY (Capital)	Cookery (NC II)	1
Region X	Cagayan de Oro C	304111	CAGAYAN DE ORO NATIONAL HIGH SCHOOL	CAGAYAN DE ORO CITY (Capital)	Food and Beverage Services (NC II)	2
Region X	Cagayan de Oro C	304112	Carmen National High School	CAGAYAN DE ORO CITY (Capital)	Food and Beverage Services (NC II)	1
Region X	Cagayan de Oro C	304108	Bulua National High School	CAGAYAN DE ORO CITY (Capital)	Food and Beverage Services (NC II)	1
Region X	Cagayan de Oro C	304116	Indahag National High School	CAGAYAN DE ORO CITY (Capital)	Food and Beverage Services (NC II)	1
Region X	Cagayan de Oro C	315411	Kauswagan National High School	CAGAYAN DE ORO CITY (Capital)	Food and Beverage Services (NC II)	1
Region X	Cagayan de Oro C	304119	Lumbia National High School	CAGAYAN DE ORO CITY (Capital)	Horticulture (NC II)	1
Region X	Cagayan de Oro C	304112	Carmen National High School	CAGAYAN DE ORO CITY (Capital)	Housekeeping (NC II)	1
Region X	Cagayan de Oro C	304119	Lumbia National High School	CAGAYAN DE ORO CITY (Capital)	Housekeeping (NC II)	1
Region X	Cagayan de Oro C	315411	Kauswagan National High School	CAGAYAN DE ORO CITY (Capital)	Housekeeping (NC II)	1
Region X	Cagayan de Oro C	304108	Bulua National High School	CAGAYAN DE ORO CITY (Capital)	Shielded Metal Arc Welding (NC I and NC II)	1
Region X	Cagayan de Oro C	304116	Indahag National High School	CAGAYAN DE ORO CITY (Capital)	Shielded Metal Arc Welding (NC I and NC II)	1
Region X	Cagayan de Oro C	315403	Cagayan de Oro NHS - Balulang Annex	CAGAYAN DE ORO CITY (Capital)	Shielded Metal Arc Welding (NC I and NC II)	1
Region X	Camiguin	303994	Mambajao NHS	MAMBAJAO (Capital)	Cookery (NC II)	2
Region X	Camiguin	303990	Camiguin NHS	CATARMAN	Cookery (NC II)	1
Region X	Camiguin	303990	Camiguin NHS	CATARMAN	Food and Beverage Services (NC II)	1
Region X	Camiguin	315001	Maac National High School	GUINSILIBAN	Horticulture (NC II)	1
Region X	Camiguin	303994	Mambajao NHS	MAMBAJAO (Capital)	Housekeeping (NC II)	2
Region X	Camiguin	303997	Yumbing National High School	MAMBAJAO (Capital)	Shielded Metal Arc Welding (NC I and NC II)	2
Region X	Camiguin	303994	Mambajao NHS	MAMBAJAO (Capital)	Travel Services (NC II)	2
Region X	El Salvador	315305	MOLUGAN NATIONAL HIGH SCHOOL	CITY OF EL SALVADOR	Cookery (NC II)	2
Region X	El Salvador	315318	Hinigdaan NHS	CITY OF EL SALVADOR	Cookery (NC II)	1
Region X	El Salvador	315305	MOLUGAN NATIONAL HIGH SCHOOL	CITY OF EL SALVADOR	Food and Beverage Services (NC II)	2
Region X	El Salvador	315318	Hinigdaan NHS	CITY OF EL SALVADOR	Food and Beverage Services (NC II)	1
Region X	El Salvador	304065	Cogon NHS	CITY OF EL SALVADOR	Shielded Metal Arc Welding (NC I and NC II)	1
Region X	Gingoog City	304130	Gingoog City CNHS	GINGOOG CITY	Cookery (NC II)	2
Region X	Gingoog City	315502	Odiongan NHS - Talisay NHS Annex	GINGOOG CITY	Cookery (NC II)	1
Region X	Gingoog City	315504	Gingoog City CNHS - PUNDASAN NHS Annex	GINGOOG CITY	Cookery (NC II)	1
Region X	Gingoog City	315507	Lunao National High School	GINGOOG CITY	Cookery (NC II)	1
Region X	Gingoog City	304135	Mimbunga National High School	GINGOOG CITY	Dressmaking (NC II)	1
Region X	Gingoog City	304130	Gingoog City CNHS	GINGOOG CITY	Dressmaking (NC II)	1
Region X	Gingoog City	304130	Gingoog City CNHS	GINGOOG CITY	Food and Beverage Services (NC II)	2
Region X	Gingoog City	315502	Odiongan NHS - Talisay NHS Annex	GINGOOG CITY	Food and Beverage Services (NC II)	1
Region X	Gingoog City	315507	Lunao National High School	GINGOOG CITY	Food and Beverage Services (NC II)	1
Region X	Gingoog City	304135	Mimbunga National High School	GINGOOG CITY	Food and Beverage Services (NC II)	1
Region X	Gingoog City	304136	Jacinto D. Malimas Sr. National High School	GINGOOG CITY	Horticulture (NC II)	1
Region X	Gingoog City	315502	Odiongan NHS - Talisay NHS Annex	GINGOOG CITY	Housekeeping (NC II)	1
Region X	Gingoog City	315504	Gingoog City CNHS - PUNDASAN NHS Annex	GINGOOG CITY	Housekeeping (NC II)	1
Region X	Gingoog City	304133	Malibud National High School	GINGOOG CITY	Housekeeping (NC II)	1
Region X	Gingoog City	304130	Gingoog City CNHS	GINGOOG CITY	Shielded Metal Arc Welding (NC I and NC II)	1
Region X	Gingoog City	304130	Gingoog City CNHS	GINGOOG CITY	Tailoring (NC II)	1
Region X	Iligan City	304150	Iligan City NSOF	ILIGAN CITY	Aquaculture (NC II)	1
Region X	Iligan City	304145	Iligan City NHS	ILIGAN CITY	Cookery (NC II)	2
Region X	Iligan City	304146	Iligan City East National HS (Sta. Filomena)	ILIGAN CITY	Cookery (NC II)	2
Region X	Iligan City	304138	Acelo C. Badelles, Sr. MHS (Tipanoy NHS)	ILIGAN CITY	Cookery (NC II)	1
Region X	Iligan City	304150	Iligan City NSOF	ILIGAN CITY	Cookery (NC II)	1
Region X	Iligan City	304147	KIWALAN NATIONAL HIGH SCHOOL	ILIGAN CITY	Cookery (NC II)	1
Region X	Iligan City	304143	Dalipuga National High School	ILIGAN CITY	Cookery (NC II)	1
Region X	Iligan City	304152	Maria Cristina National High School	ILIGAN CITY	Cookery (NC II)	1
Region X	Iligan City	304154	Esperidion F. Encabo I MHS (Pugaan NHS)	ILIGAN CITY	Cookery (NC II)	1



DEPARTMENT OF EDUCATION
BUREAU OF LEARNING RESOURCES
FY 2018 TVL Tools and Equipment Allocation List

Lot No. 3 Mass Production

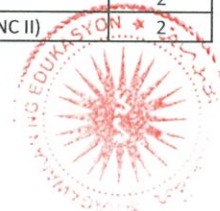
Region	Division	School_id	School_name	Municipality	Program/Specialization (EBEIS)	2018 No. of Packages
Region X	Iligan City	304145	Iligan City NHS	ILIGAN CITY	Food and Beverage Services (NC II)	2
Region X	Iligan City	304146	Iligan City East National HS (Sta. Filomen	ILIGAN CITY	Food and Beverage Services (NC II)	2
Region X	Iligan City	304150	Iligan City NSOF	ILIGAN CITY	Food and Beverage Services (NC II)	1
Region X	Iligan City	304147	KIWALAN NATIONAL HIGH SCHOOL	ILIGAN CITY	Food and Beverage Services (NC II)	1
Region X	Iligan City	304143	Dalipuga National High School	ILIGAN CITY	Food and Beverage Services (NC II)	1
Region X	Iligan City	304152	Maria Cristina National High School	ILIGAN CITY	Food and Beverage Services (NC II)	1
Region X	Iligan City	500696	Francisco Laya Memorial Integrated Sch	ILIGAN CITY	Food and Beverage Services (NC II)	1
Region X	Iligan City	304152	Maria Cristina National High School	ILIGAN CITY	Housekeeping (NC II)	1
Region X	Iligan City	304145	Iligan City NHS	ILIGAN CITY	Housekeeping (NC II)	1
Region X	Iligan City	304150	Iligan City NSOF	ILIGAN CITY	Shielded Metal Arc Welding (NC I and NC II)	2
Region X	Iligan City	304145	Iligan City NHS	ILIGAN CITY	Shielded Metal Arc Welding (NC I and NC II)	2
Region X	Iligan City	304149	Iligan City East High School - Hinaplanon	ILIGAN CITY	Shielded Metal Arc Welding (NC I and NC II)	1
Region X	Iligan City	304146	Iligan City East National HS (Sta. Filomen	ILIGAN CITY	Shielded Metal Arc Welding (NC I)	2
Region X	Lanao del Norte	304013	Diego H. Patigayon NHS (Mukas NHS)	KOLAMBUGAN	Aquaculture (NC II)	1
Region X	Lanao del Norte	304017	Panoloan NHS	SAPAD	Cookery (NC II)	1
Region X	Lanao del Norte	304007	Liangan NHS	BACOLOD	Dressmaking (NC II)	1
Region X	Lanao del Norte	304019	Pantar NHS	PANTAR	Dressmaking (NC II)	1
Region X	Lanao del Norte	304003	Kapatagan NHS	KAPATAGAN	Food and Beverage Services (NC II)	2
Region X	Lanao del Norte	304004	Lala NHS	LALA	Food and Beverage Services (NC II)	2
Region X	Lanao del Norte	304020	Geronima Cabrera NHS (Riverside NHS)	KOLAMBUGAN	Food and Beverage Services (NC II)	2
Region X	Lanao del Norte	304015	Teofila C. Quibranza NHS (New Pualas N	TUBOD (Capital)	Food and Beverage Services (NC II)	2
Region X	Lanao del Norte	304005	Lanao del Norte NCHS	BAROY	Food and Beverage Services (NC II)	2
Region X	Lanao del Norte	303998	Baloi National High School	BALOI	Food and Beverage Services (NC II)	1
Region X	Lanao del Norte	304007	Liangan NHS	BACOLOD	Food and Beverage Services (NC II)	1
Region X	Lanao del Norte	304011	Marcela T. Mabanta NHS	KAUSWAGAN	Food and Beverage Services (NC II)	1
Region X	Lanao del Norte	304023	Salvador NHS (Salvador Trade HS)	SALVADOR	Food and Beverage Services (NC II)	1
Region X	Lanao del Norte	304019	Pantar NHS	PANTAR	Food and Beverage Services (NC II)	1
Region X	Lanao del Norte	304017	Panoloan NHS	SAPAD	Food and Beverage Services (NC II)	1
Region X	Lanao del Norte	304023	Salvador NHS (Salvador Trade HS)	SALVADOR	Horticulture (NC II)	2
Region X	Lanao del Norte	304015	Teofila C. Quibranza NHS (New Pualas N	TUBOD (Capital)	Housekeeping (NC II)	2
Region X	Lanao del Norte	303998	Baloi National High School	BALOI	Housekeeping (NC II)	1
Region X	Lanao del Norte	304004	Lala NHS	LALA	Housekeeping (NC II)	1
Region X	Lanao del Norte	303999	Bansarvil NHS	KAPATAGAN	Organic Agriculture (NC II)	1
Region X	Lanao del Norte	304004	Lala NHS	LALA	Shielded Metal Arc Welding (NC I and NC II)	2
Region X	Lanao del Norte	304005	Lanao del Norte NCHS	BAROY	Shielded Metal Arc Welding (NC I and NC II)	2
Region X	Lanao del Norte	304003	Kapatagan NHS	KAPATAGAN	Shielded Metal Arc Welding (NC I)	2
Region X	Lanao del Norte	304008	Linamon NHS	LINAMON	Shielded Metal Arc Welding (NC I)	2
Region X	Lanao del Norte	304004	Lala NHS	LALA	Tailoring (NC II)	2
Region X	Lanao del Norte	304020	Geronima Cabrera NHS (Riverside NHS)	KOLAMBUGAN	Tailoring (NC II)	2
Region X	Lanao del Norte	304011	Marcela T. Mabanta NHS	KAUSWAGAN	Tailoring (NC II)	1
Region X	Lanao del Norte	304013	Diego H. Patigayon NHS (Mukas NHS)	KOLAMBUGAN	Tailoring (NC II)	1
Region X	Malaybalay City	303950	Bukidnon NHS	CITY MALAYBALAY (Capital)	Cookery (NC II)	2
Region X	Malaybalay City	303946	Bangcud National High School	CITY MALAYBALAY (Capital)	Cookery (NC II)	2
Region X	Malaybalay City	303950	Bukidnon NHS	CITY MALAYBALAY (Capital)	Food and Beverage Services (NC II)	2
Region X	Malaybalay City	303946	Bangcud National High School	CITY MALAYBALAY (Capital)	Food and Beverage Services (NC II)	2
Region X	Malaybalay City	303946	Bangcud National High School	CITY MALAYBALAY (Capital)	Shielded Metal Arc Welding (NC I and NC II)	2
Region X	Misamis Occident	304031	Clarín NHS	CLARIN	Cookery (NC II)	2
Region X	Misamis Occident	304055	Sinonoc NHS	SINACABAN	Cookery (NC II)	1
Region X	Misamis Occident	304028	Bonifacio NHS	BONIFACIO	Cookery (NC II)	1
Region X	Misamis Occident	304058	Tudela National Comprehensive High Sch	TUDELA	Cookery (NC II)	1
Region X	Misamis Occident	304031	Clarín NHS	CLARIN	Food and Beverage Services (NC II)	2
Region X	Misamis Occident	304055	Sinonoc NHS	SINACABAN	Food and Beverage Services (NC II)	1-3



DEPARTMENT OF EDUCATION
BUREAU OF LEARNING RESOURCES
FY 2018 TVL Tools and Equipment Allocation List

Lot No. 3 Mass Production

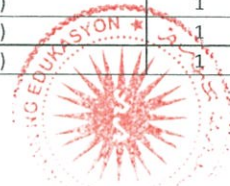
Region	Division	School_id	School_name	Municipality	Program/Specialization (EBEIS)	2018 No. of Packages
Region X	Misamis Occident	304028	Bonifacio NHS	BONIFACIO	Food and Beverage Services (NC II)	1
Region X	Misamis Occident	304058	Tudela National Comprehensive High School	TUDELA	Food and Beverage Services (NC II)	1
Region X	Misamis Occident	304031	Clarín NHS	CLARIN	Horticulture (NC II)	1
Region X	Misamis Occident	304024	Aloran Trade HS	ALORAN	Shielded Metal Arc Welding (NC I and NC II)	2
Region X	Misamis Occident	304031	Clarín NHS	CLARIN	Shielded Metal Arc Welding (NC I and NC II)	1
Region X	Misamis Oriental	304078	Laguindingan NHS	LAGUINDINGAN	Cookery (NC II)	2
Region X	Misamis Oriental	304059	Alubijid NCHS	ALUBIJID	Cookery (NC II)	2
Region X	Misamis Oriental	304096	Salay NHS	SALAY	Cookery (NC II)	2
Region X	Misamis Oriental	304094	Opol NSTS	OPOL	Cookery (NC II)	2
Region X	Misamis Oriental	360847	Lugait SHS (within TESDA site)	LUGAIT	Cookery (NC II)	2
Region X	Misamis Oriental	304089	Medina NCHS	MEDINA	Cookery (NC II)	2
Region X	Misamis Oriental	341230	SHS within Maputi ES	NAAWAN	Cookery (NC II)	2
Region X	Misamis Oriental	304072	Initao NCHS	INITAO	Cookery (NC II)	2
Region X	Misamis Oriental	304095	Portulin NHS	MEDINA	Cookery (NC II)	1
Region X	Misamis Oriental	304093	Talisayan NHS	TALISAYAN	Cookery (NC II)	1
Region X	Misamis Oriental	315304	Lumbo NHS	LAGONGLONG	Cookery (NC II)	1
Region X	Misamis Oriental	304079	Libertad NHS	LIBERTAD	Cookery (NC II)	1
Region X	Misamis Oriental	304073	Jasaan NHS	JASAAN	Cookery (NC II)	1
Region X	Misamis Oriental	304069	Dr. Gerardo Sabal MNHS	CLAVERIA	Cookery (NC II)	1
Region X	Misamis Oriental	304078	Laguindingan NHS	LAGUINDINGAN	Food and Beverage Services (NC II)	2
Region X	Misamis Oriental	304059	Alubijid NCHS	ALUBIJID	Food and Beverage Services (NC II)	2
Region X	Misamis Oriental	304096	Salay NHS	SALAY	Food and Beverage Services (NC II)	2
Region X	Misamis Oriental	304089	Medina NCHS	MEDINA	Food and Beverage Services (NC II)	2
Region X	Misamis Oriental	341230	SHS within Maputi ES	NAAWAN	Food and Beverage Services (NC II)	2
Region X	Misamis Oriental	304072	Initao NCHS	INITAO	Food and Beverage Services (NC II)	2
Region X	Misamis Oriental	304093	Talisayan NHS	TALISAYAN	Food and Beverage Services (NC II)	1
Region X	Misamis Oriental	315304	Lumbo NHS	LAGONGLONG	Food and Beverage Services (NC II)	1
Region X	Misamis Oriental	304079	Libertad NHS	LIBERTAD	Food and Beverage Services (NC II)	1
Region X	Misamis Oriental	304073	Jasaan NHS	JASAAN	Food and Beverage Services (NC II)	1
Region X	Misamis Oriental	304069	Dr. Gerardo Sabal MNHS	CLAVERIA	Food and Beverage Services (NC II)	1
Region X	Misamis Oriental	360847	Lugait SHS (within TESDA site)	LUGAIT	Housekeeping (NC II)	2
Region X	Misamis Oriental	304093	Talisayan NHS	TALISAYAN	Housekeeping (NC II)	1
Region X	Misamis Oriental	304094	Opol NSTS	OPOL	Shielded Metal Arc Welding (NC I and NC II)	2
Region X	Misamis Oriental	304073	Jasaan NHS	JASAAN	Shielded Metal Arc Welding (NC I)	2
Region X	Misamis Oriental	304059	Alubijid NCHS	ALUBIJID	Shielded Metal Arc Welding (NC I)	2
Region X	Misamis Oriental	360847	Lugait SHS (within TESDA site)	LUGAIT	Shielded Metal Arc Welding (NC I)	2
Region X	Misamis Oriental	304061	Baliwagan NHS	BALINGASAG	Shielded Metal Arc Welding (NC I)	2
Region X	Misamis Oriental	304089	Medina NCHS	MEDINA	Shielded Metal Arc Welding (NC I)	2
Region X	Misamis Oriental	304095	Portulin NHS	MEDINA	Shielded Metal Arc Welding (NC I)	1
Region X	Misamis Oriental	304066	Consuelo NHS	MAGSAYSAY (LINUGOS)	Shielded Metal Arc Welding (NC I)	1
Region X	Misamis Oriental	315307	Manticao NHS	MANTICAO	Shielded Metal Arc Welding (NC I)	1
Region X	Misamis Oriental	304072	Initao NCHS	INITAO	Shielded Metal Arc Welding (NC I)	1
Region X	Misamis Oriental	304093	Talisayan NHS	TALISAYAN	Travel Services (NC II)	1
Region X	Ozamis City	304168	Ozamis City School of Arts and Trades	OZAMIS CITY	Cookery (NC II)	2
Region X	Ozamis City	304166	Montol National High School	OZAMIS CITY	Cookery (NC II)	1
Region X	Ozamis City	304168	Ozamis City School of Arts and Trades	OZAMIS CITY	Food and Beverage Services (NC II)	2
Region X	Ozamis City	304166	Montol National High School	OZAMIS CITY	Food and Beverage Services (NC II)	1
Region X	Ozamis City	304168	Ozamis City School of Arts and Trades	OZAMIS CITY	Shielded Metal Arc Welding (NC I and NC II)	2
Region X	Ozamis City	304169	Pulot National High School	OZAMIS CITY	Shielded Metal Arc Welding (NC I and NC II)	1
Region X	Ozamis City	304163	Labo National High School	OZAMIS CITY	Shielded Metal Arc Welding (NC I and NC II)	1
Region X	Valencia City	303988	Valencia NHS	CITY OF VALENCIA	Cookery (NC II)	2
Region X	Valencia City	303988	Valencia NHS	CITY OF VALENCIA	Food and Beverage Services (NC II)	2



DEPARTMENT OF EDUCATION
BUREAU OF LEARNING RESOURCES
FY 2018 TVL Tools and Equipment Allocation List

Lot No. 3 Mass Production

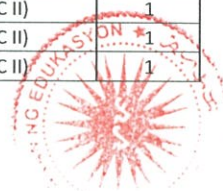
Region	Division	School_id	School_name	Municipality	Program/Specialization (EBEIS)	2018 No. of Packages
Region X	Valencia City	323802	Catumbalon National High School	CITY OF VALENCIA	Horticulture (NC II)	1
Region X	Valencia City	303970	Lurugan National High School	CITY OF VALENCIA	Organic Agriculture (NC II)	1
Region XI	Compostela Valle	304205	Nabunturan NCHS	NABUNTURAN (Capital)	Agricultural Crops Production (NC I)	1
Region XI	Compostela Valle	304197	Mapawa NHS	MARAGUSAN (SAN MARIANO)	Agricultural Crops Production (NC I)	1
Region XI	Compostela Valle	304203	Montevista NHS - Annex (DNAS Campus)	MONTEVISTA	Agricultural Crops Production (NC I)	1
Region XI	Compostela Valle	304205	Nabunturan NCHS	NABUNTURAN (Capital)	Cookery (NC II)	2
Region XI	Compostela Valle	304181	Compostela NHS	COMPOSTELA	Cookery (NC II)	2
Region XI	Compostela Valle	304202	Montevista NHS	MONTEVISTA	Cookery (NC II)	2
Region XI	Compostela Valle	304213	Tupaz NHS	MARAGUSAN (SAN MARIANO)	Cookery (NC II)	1
Region XI	Compostela Valle	315802	Nuevo Iloco NHS	MAWAB	Cookery (NC II)	1
Region XI	Compostela Valle	304194	Mainit NHS	NABUNTURAN (Capital)	Cookery (NC II)	1
Region XI	Compostela Valle	304198	Maragusan NHS	MARAGUSAN (SAN MARIANO)	Cookery (NC II)	1
Region XI	Compostela Valle	315809	Union NHS-Mt. Diwata HS Annex	MONKAYO	Cookery (NC II)	1
Region XI	Compostela Valle	315815	New Albay NHS	MARAGUSAN (SAN MARIANO)	Cookery (NC II)	1
Region XI	Compostela Valle	304208	Pantukan NHS	PANTUKAN	Cookery (NC II)	1
Region XI	Compostela Valle	304189	Laak NHS	LAAK (SAN VICENTE)	Cookery (NC II)	1
Region XI	Compostela Valle	304185	Don Vicente Romualdez NHS	LAAK (SAN VICENTE)	Cookery (NC II)	1
Region XI	Compostela Valle	304184	Consuelo M. Valderrama NHS	COMPOSTELA	Cookery (NC II)	1
Region XI	Compostela Valle	315806	Kao NHS	NABUNTURAN (Capital)	Cookery (NC II)	1
Region XI	Compostela Valle	315807	Magnaga NHS	PANTUKAN	Cookery (NC II)	1
Region XI	Compostela Valle	315805	Pindasan NHS	MABINI (DOÑA ALICIA)	Cookery (NC II)	1
Region XI	Compostela Valle	304205	Nabunturan NCHS	NABUNTURAN (Capital)	Food and Beverage Services (NC II)	2
Region XI	Compostela Valle	304181	Compostela NHS	COMPOSTELA	Food and Beverage Services (NC II)	2
Region XI	Compostela Valle	304202	Montevista NHS	MONTEVISTA	Food and Beverage Services (NC II)	2
Region XI	Compostela Valle	304213	Tupaz NHS	MARAGUSAN (SAN MARIANO)	Food and Beverage Services (NC II)	1
Region XI	Compostela Valle	315802	Nuevo Iloco NHS	MAWAB	Food and Beverage Services (NC II)	1
Region XI	Compostela Valle	304194	Mainit NHS	NABUNTURAN (Capital)	Food and Beverage Services (NC II)	1
Region XI	Compostela Valle	304198	Maragusan NHS	MARAGUSAN (SAN MARIANO)	Food and Beverage Services (NC II)	1
Region XI	Compostela Valle	315809	Union NHS-Mt. Diwata HS Annex	MONKAYO	Food and Beverage Services (NC II)	1
Region XI	Compostela Valle	315815	New Albay NHS	MARAGUSAN (SAN MARIANO)	Food and Beverage Services (NC II)	1
Region XI	Compostela Valle	304208	Pantukan NHS	PANTUKAN	Food and Beverage Services (NC II)	1
Region XI	Compostela Valle	304189	Laak NHS	LAAK (SAN VICENTE)	Food and Beverage Services (NC II)	1
Region XI	Compostela Valle	304185	Don Vicente Romualdez NHS	LAAK (SAN VICENTE)	Food and Beverage Services (NC II)	1
Region XI	Compostela Valle	304184	Consuelo M. Valderrama NHS	COMPOSTELA	Food and Beverage Services (NC II)	1
Region XI	Compostela Valle	315806	Kao NHS	NABUNTURAN (Capital)	Food and Beverage Services (NC II)	1
Region XI	Compostela Valle	315807	Magnaga NHS	PANTUKAN	Food and Beverage Services (NC II)	1
Region XI	Compostela Valle	315805	Pindasan NHS	MABINI (DOÑA ALICIA)	Food and Beverage Services (NC II)	1
Region XI	Compostela Valle	304206	New Bataan NHS	NEW BATAAN	Horticulture (NC II)	1
Region XI	Compostela Valle	304195	Manat NHS	NABUNTURAN (Capital)	Horticulture (NC II)	1
Region XI	Compostela Valle	315805	Pindasan NHS	MABINI (DOÑA ALICIA)	Horticulture (NC II)	1
Region XI	Compostela Valle	304172	Andili NHS	MAWAB	Horticulture (NC II)	1
Region XI	Compostela Valle	304208	Pantukan NHS	PANTUKAN	Horticulture (NC II)	1
Region XI	Compostela Valle	315807	Magnaga NHS	PANTUKAN	Horticulture (NC II)	1
Region XI	Compostela Valle	304185	Don Vicente Romualdez NHS	LAAK (SAN VICENTE)	Horticulture (NC II)	1
Region XI	Compostela Valle	304203	Montevista NHS - Annex (DNAS Campus)	MONTEVISTA	Horticulture (NC II)	1
Region XI	Compostela Valle	304192	Mabini NHS	MABINI (DOÑA ALICIA)	Housekeeping (NC II)	2
Region XI	Compostela Valle	304189	Laak NHS	LAAK (SAN VICENTE)	Organic Agriculture (NC II)	1
Region XI	Compostela Valle	304198	Maragusan NHS	MARAGUSAN (SAN MARIANO)	Organic Agriculture (NC II)	1
Region XI	Compostela Valle	304197	Mapawa NHS	MARAGUSAN (SAN MARIANO)	Organic Agriculture (NC II)	1
Region XI	Compostela Valle	304203	Montevista NHS - Annex (DNAS Campus)	MONTEVISTA	Organic Agriculture (NC II)	1
Region XI	Compostela Valle	304186	Elizalde NHS	MACO	Organic Agriculture (NC II)	1
Region XI	Compostela Valle	304180	Camanlangan NHS	NEW BATAAN	Organic Agriculture (NC II)	1



DEPARTMENT OF EDUCATION
BUREAU OF LEARNING RESOURCES
FY 2018 TVL Tools and Equipment Allocation List

Lot No. 3 Mass Production

Region	Division	School_id	School_name	Municipality	Program/Specialization (EBEIS)	2018 No. of Packages
Region XI	Compostela Valle	304191	Lorenzo S. Sarmiento Sr. NHS	MAWAB	Organic Agriculture (NC II)	1
Region XI	Compostela Valle	304198	Maragusan NHS	MARAGUSAN (SAN MARIANO)	Shielded Metal Arc Welding (NC I)	1
Region XI	Compostela Valle	304192	Mabini NHS	MABINI (DOÑA ALICIA)	Travel Services (NC II)	2
Region XI	Davao City	304367	Dr. Santiago Dakudao Sr. National High School	DAVAO CITY	Cookery (NC II)	1
Region XI	Davao City	304368	F. Bustamante NHS	DAVAO CITY	Cookery (NC II)	1
Region XI	Davao City	304366	F. Bangoy NHS	DAVAO CITY	Cookery (NC II)	1
Region XI	Davao City	304343	Baguio National School of Arts and Trade	DAVAO CITY	Cookery (NC II)	1
Region XI	Davao City	304370	Teofilo V. Fernandez National High School	DAVAO CITY	Cookery (NC II)	1
Region XI	Davao City	304380	Mandug NHS (Pablo Lorenzo NHS)	DAVAO CITY	Cookery (NC II)	1
Region XI	Davao City	304367	Dr. Santiago Dakudao Sr. National High School	DAVAO CITY	Food and Beverage Services (NC II)	1
Region XI	Davao City	304368	F. Bustamante NHS	DAVAO CITY	Food and Beverage Services (NC II)	1
Region XI	Davao City	304345	Bernardo D. Carpio National High School	DAVAO CITY	Food and Beverage Services (NC II)	1
Region XI	Davao City	304366	F. Bangoy NHS	DAVAO CITY	Food and Beverage Services (NC II)	1
Region XI	Davao City	304343	Baguio National School of Arts and Trade	DAVAO CITY	Food and Beverage Services (NC II)	1
Region XI	Davao City	304370	Teofilo V. Fernandez National High School	DAVAO CITY	Food and Beverage Services (NC II)	1
Region XI	Davao City	304380	Mandug NHS (Pablo Lorenzo NHS)	DAVAO CITY	Food and Beverage Services (NC II)	1
Region XI	Davao City	304345	Bernardo D. Carpio National High School	DAVAO CITY	Housekeeping (NC II)	1
Region XI	Davao City	316202	Catalunan Pequeno National High School	DAVAO CITY	Housekeeping (NC II)	1
Region XI	Davao City	304368	F. Bustamante NHS	DAVAO CITY	Shielded Metal Arc Welding (NC I and NC II)	2
Region XI	Davao del Norte	304258	Datu Jose A. Libayao Memorial NHS	TALAINGOD	Agricultural Crops Production (NC I)	1
Region XI	Davao del Norte	304254	Sto Tomas NHS	SANTO TOMAS	Cookery (NC II)	2
Region XI	Davao del Norte	304222	Carmen NHS	CARMEN	Cookery (NC II)	2
Region XI	Davao del Norte	304219	Balagunan National High School	SANTO TOMAS	Cookery (NC II)	1
Region XI	Davao del Norte	315902	Tulalian NHS	SANTO TOMAS	Cookery (NC II)	1
Region XI	Davao del Norte	304255	La Libertad National High School	SANTO TOMAS	Cookery (NC II)	1
Region XI	Davao del Norte	304251	Sawata NHS	SAN ISIDRO	Cookery (NC II)	1
Region XI	Davao del Norte	304229	Dujali National High School	BRAULIO E. DUJALI	Cookery (NC II)	1
Region XI	Davao del Norte	315902	Tulalian NHS	SANTO TOMAS	Dressmaking (NC II)	1
Region XI	Davao del Norte	304254	Sto Tomas NHS	SANTO TOMAS	Food and Beverage Services (NC II)	2
Region XI	Davao del Norte	304222	Carmen NHS	CARMEN	Food and Beverage Services (NC II)	2
Region XI	Davao del Norte	304219	Balagunan National High School	SANTO TOMAS	Food and Beverage Services (NC II)	1
Region XI	Davao del Norte	304217	Asuncion National High School	ASUNCION (SAUG)	Horticulture (NC II)	1
Region XI	Davao del Norte	304251	Sawata NHS	SAN ISIDRO	Horticulture (NC II)	1
Region XI	Davao del Norte	304255	La Libertad National High School	SANTO TOMAS	Housekeeping (NC II)	1
Region XI	Davao del Norte	304258	Datu Jose A. Libayao Memorial NHS	TALAINGOD	Organic Agriculture (NC II)	1
Region XI	Davao del Norte	304254	Sto Tomas NHS	SANTO TOMAS	Shielded Metal Arc Welding (NC I and NC II)	2
Region XI	Davao del Norte	304229	Dujali National High School	BRAULIO E. DUJALI	Shielded Metal Arc Welding (NC I and NC II)	1
Region XI	Davao del Norte	315902	Tulalian NHS	SANTO TOMAS	Shielded Metal Arc Welding (NC I and NC II)	1
Region XI	Davao del Norte	304219	Balagunan National High School	SANTO TOMAS	Shielded Metal Arc Welding (NC I and NC II)	1
Region XI	Davao del Sur	304288	Matanao National High School	MATANAO	Cookery (NC II)	2
Region XI	Davao del Sur	304270	Davao Del Sur SOF	MALALAG	Cookery (NC II)	2
Region XI	Davao del Sur	304265	Barayong National High School	MAGSAYSAY	Cookery (NC II)	2
Region XI	Davao del Sur	304294	Sta. Cruz National High School	SANTA CRUZ	Cookery (NC II)	1
Region XI	Davao del Sur	304275	Hagonoy National High School	HAGONOY	Cookery (NC II)	1
Region XI	Davao del Sur	316005	Felipe-Inocencia Deluao NHS	SULOP	Cookery (NC II)	1
Region XI	Davao del Sur	304270	Davao Del Sur SOF	MALALAG	Food and Beverage Services (NC II)	2
Region XI	Davao del Sur	304288	Matanao National High School	MATANAO	Food and Beverage Services (NC II)	2
Region XI	Davao del Sur	304265	Barayong National High School	MAGSAYSAY	Food and Beverage Services (NC II)	2
Region XI	Davao del Sur	304277	Ihan NHS	KIBLAWAN	Food and Beverage Services (NC II)	1
Region XI	Davao del Sur	304294	Sta. Cruz National High School	SANTA CRUZ	Food and Beverage Services (NC II)	1
Region XI	Davao del Sur	304275	Hagonoy National High School	HAGONOY	Food and Beverage Services (NC II)	1
Region XI	Davao del Sur	304263	Federico Yap National High School	SANTA CRUZ	Food and Beverage Services (NC II)	1



DEPARTMENT OF EDUCATION
BUREAU OF LEARNING RESOURCES
FY 2018 TVL Tools and Equipment Allocation List

Lot No. 3 Mass Production

Region	Division	School_id	School_name	Municipality	Program/Specialization (EBEIS)	2018 No. of Packages
Region XI	Davao del Sur	316005	Felipe-Inocencia Deluao NHS	SULOP	Food and Beverage Services (NC II)	1
Region XI	Davao del Sur	304275	Hagonoy National High School	HAGONOY	Horticulture (NC II)	1
Region XI	Davao del Sur	304285	Pedro A. Arches NHS	BANSALAN	Housekeeping (NC II)	1
Region XI	Davao del Sur	304263	Federico Yap National High School	SANTA CRUZ	Shielded Metal Arc Welding (NC I and NC II)	1
Region XI	Davao del Sur	304278	Inawayan National High School	SANTA CRUZ	Shielded Metal Arc Welding (NC I and NC II)	1
Region XI	Davao del Sur	304265	Barayong National High School	MAGSAYSAY	Shielded Metal Arc Welding (NC I)	2
Region XI	Davao del Sur	316003	SALUD CAGAS TECH. & VOC. H.S	MATANAO	Shielded Metal Arc Welding (NC I)	1
Region XI	Davao del Sur	304288	Matanao National High School	MATANAO	Shielded Metal Arc Welding (NC II)	1
Region XI	Davao Occidental	304262	Alberto Olarte, Sr. NHS	SARANGANI	Cookery (NC II)	1
Region XI	Davao Occidental	304293	Ticulon NHS	MALITA	Cookery (NC II)	1
Region XI	Davao Occidental	304276	Heracleo Casco MNHS	SANTA MARIA	Cookery (NC II)	1
Region XI	Davao Occidental	304262	Alberto Olarte, Sr. NHS	SARANGANI	Food and Beverage Services (NC II)	1
Region XI	Davao Occidental	304293	Ticulon NHS	MALITA	Food and Beverage Services (NC II)	1
Region XI	Davao Occidental	304276	Heracleo Casco MNHS	SANTA MARIA	Food and Beverage Services (NC II)	1
Region XI	Davao Occidental	304281	Jose Abad Santos NHS	JOSE ABAD SANTOS (TRINIDAD)	Food and Beverage Services (NC II)	1
Region XI	Davao Occidental	304276	Heracleo Casco MNHS	SANTA MARIA	Housekeeping (NC II)	2
Region XI	Davao Occidental	304281	Jose Abad Santos NHS	JOSE ABAD SANTOS (TRINIDAD)	Housekeeping (NC II)	1
Region XI	Davao Occidental	304266	Basiawan NHS	SANTA MARIA	Housekeeping (NC II)	1
Region XI	Davao Occidental	304291	Lawa NHS	DON MARCELINO	Organic Agriculture (NC II)	1
Region XI	Davao Occidental	304281	Jose Abad Santos NHS	JOSE ABAD SANTOS (TRINIDAD)	Tailoring (NC II)	1
Region XI	Davao Oriental	304312	Crispin E. Rojas National High School	BAGANGA	Cookery (NC II)	1
Region XI	Davao Oriental	304312	Crispin E. Rojas National High School	BAGANGA	Food and Beverage Services (NC II)	1
Region XI	Davao Oriental	304312	Crispin E. Rojas National High School	BAGANGA	Housekeeping (NC II)	1
Region XI	Davao Oriental	304316	DR. BEATO C. MACAYRA NATIONAL HIGH SCHOOL	BAGANGA	Organic Agriculture (NC II)	1
Region XI	Digos City	341513	SHS in Digos City	CITY OF DIGOS (Capital)	Food and Beverage Services (NC II)	2
Region XI	Island Garden City	304216	Anonang National High School	ISLAND GARDEN CITY OF SAMAR	Cookery (NC II)	1
Region XI	Island Garden City	304216	Anonang National High School	ISLAND GARDEN CITY OF SAMAR	Food and Beverage Services (NC II)	1
Region XI	Island Garden City	304253	Sta. Cruz National High School	ISLAND GARDEN CITY OF SAMAR	Food and Beverage Services (NC II)	1
Region XI	Island Garden City	304253	Sta. Cruz National High School	ISLAND GARDEN CITY OF SAMAR	Housekeeping (NC II)	1
Region XI	Mati City	304301	Manuel B. Guifnez Sr. NHS	BANAYBANAY	Cookery (NC II)	2
Region XI	Mati City	304332	San Isidro NHS	SAN ISIDRO	Cookery (NC II)	2
Region XI	Mati City	304322	Luzon National High School	GOVERNOR GENEROSO	Cookery (NC II)	2
Region XI	Mati City	304337	Taguppo NHS	LUPON	Cookery (NC II)	1
Region XI	Mati City	304326	Mati SAT	CITY OF MATI (Capital)	Cookery (NC II)	1
Region XI	Mati City	316104	Don Salvador Lopez NHS	CITY OF MATI (Capital)	Cookery (NC II)	1
Region XI	Mati City	304336	Sigaboy Agri. Voc. HS	GOVERNOR GENEROSO	Cookery (NC II)	1
Region XI	Mati City	304301	Manuel B. Guifnez Sr. NHS	BANAYBANAY	Food and Beverage Services (NC II)	2
Region XI	Mati City	304332	San Isidro NHS	SAN ISIDRO	Food and Beverage Services (NC II)	2
Region XI	Mati City	304322	Luzon National High School	GOVERNOR GENEROSO	Food and Beverage Services (NC II)	2
Region XI	Mati City	304326	Mati SAT	CITY OF MATI (Capital)	Food and Beverage Services (NC II)	1
Region XI	Mati City	316104	Don Salvador Lopez NHS	CITY OF MATI (Capital)	Food and Beverage Services (NC II)	1
Region XI	Mati City	304336	Sigaboy Agri. Voc. HS	GOVERNOR GENEROSO	Food and Beverage Services (NC II)	1
Region XI	Mati City	304336	Sigaboy Agri. Voc. HS	GOVERNOR GENEROSO	Horticulture (NC II)	1
Region XI	Mati City	304337	Taguppo NHS	LUPON	Housekeeping (NC II)	1
Region XI	Mati City	304326	Mati SAT	CITY OF MATI (Capital)	Shielded Metal Arc Welding (NC I and NC II)	1
Region XI	Mati City	304336	Sigaboy Agri. Voc. HS	GOVERNOR GENEROSO	Shielded Metal Arc Welding (NC I and NC II)	1
Region XI	Panabo City	304403	A. O. Floirendo National High School	CITY OF PANABO	Cookery (NC II)	1
Region XI	Panabo City	304405	Don Manuel A. Javellana Memorial National High School	CITY OF PANABO	Cookery (NC II)	1
Region XI	Panabo City	304403	A. O. Floirendo National High School	CITY OF PANABO	Food and Beverage Services (NC II)	1
Region XI	Panabo City	304405	Don Manuel A. Javellana Memorial National High School	CITY OF PANABO	Food and Beverage Services (NC II)	1
Region XI	Panabo City	304407	Manay National High School	CITY OF PANABO	Housekeeping (NC II)	1
Region XI	Panabo City	304403	A. O. Floirendo National High School	CITY OF PANABO	Housekeeping (NC II)	1



DEPARTMENT OF EDUCATION
BUREAU OF LEARNING RESOURCES
FY 2018 TVL Tools and Equipment Allocation List

Lot No. 3 Mass Production

Region	Division	School_id	School_name	Municipality	Program/Specialization (EBEIS)	2018 No. of Packages
Region XI	Panabo City	304403	A. O. Floirendo National High School	CITY OF PANABO	Organic Agriculture (NC II)	2
Region XI	Tagum City	304232	Pipisan Maug National High School	CITY OF TAGUM (Capital)	Cookery (NC II)	1
Region XI	Tagum City	304231	Jose Tuason Jr. Memorial National High School	CITY OF TAGUM (Capital)	Dressmaking (NC II)	1
Region XI	Tagum City	304232	Pipisan Maug National High School	CITY OF TAGUM (Capital)	Food and Beverage Services (NC II)	1
Region XI	Tagum City	304231	Jose Tuason Jr. Memorial National High School	CITY OF TAGUM (Capital)	Horticulture (NC II)	2
Region XI	Tagum City	304232	Pipisan Maug National High School	CITY OF TAGUM (Capital)	Housekeeping (NC II)	1
Region XI	Tagum City	304231	Jose Tuason Jr. Memorial National High School	CITY OF TAGUM (Capital)	Tailoring (NC II)	1
Region XII	General Santos City	304639	Bula National School of Fisheries	GENERAL SANTOS CITY (DADIS)	Aquaculture (NC II)	1
Region XII	General Santos City	304642	General Santos City National High School	GENERAL SANTOS CITY (DADIS)	Cookery (NC II)	2
Region XII	General Santos City	304642	General Santos City National High School	GENERAL SANTOS CITY (DADIS)	Food and Beverage Services (NC II)	2
Region XII	General Santos City	304642	General Santos City National High School	GENERAL SANTOS CITY (DADIS)	Shielded Metal Arc Welding (NC I and NC II)	2
Region XII	North Cotabato	304505	Silik High School	PIKIT	Cookery (NC II)	1
Region XII	North Cotabato	304505	Silik High School	PIKIT	Food and Beverage Services (NC II)	1
Region XII	North Cotabato	304515	Tulunang NHS	TULUNANG	Shielded Metal Arc Welding (NC I and NC II)	1
Region XII	Sarangani	304518	Alabel National High School	ALABEL (Capital)	Cookery (NC II)	1
Region XII	Sarangani	304518	Alabel National High School	ALABEL (Capital)	Food and Beverage Services (NC II)	1
Region XII	Sarangani	304518	Alabel National High School	ALABEL (Capital)	Gas Metal Arc Welding- GMAW (NC II)	1
Region XII	Sarangani	304518	Alabel National High School	ALABEL (Capital)	Shielded Metal Arc Welding (NC II)	1
Region XII	South Cotabato	304559	Poblacion Polomolok NHS	POLOMOLOK	Cookery (NC II)	2
Region XII	South Cotabato	304555	Libertad NHS	SURALLAH	Cookery (NC II)	1
Region XII	South Cotabato	304559	Poblacion Polomolok NHS	POLOMOLOK	Food and Beverage Services (NC II)	2
Region XII	South Cotabato	304555	Libertad NHS	SURALLAH	Food and Beverage Services (NC II)	1
Region XII	South Cotabato	304559	Poblacion Polomolok NHS	POLOMOLOK	Organic Agriculture (NC II)	1
Region XII	South Cotabato	304555	Libertad NHS	SURALLAH	Shielded Metal Arc Welding (NC I and NC II)	2
Region XII	Sultan Kudarat	304615	Palimbang National High School	PALIMBANG	Cookery (NC II)	2
Region XII	Sultan Kudarat	304587	Busok National High School	BAGUMBAYAN	Cookery (NC II)	1
Region XII	Sultan Kudarat	304615	Palimbang National High School	PALIMBANG	Food and Beverage Services (NC II)	2
Region XII	Sultan Kudarat	304587	Busok National High School	BAGUMBAYAN	Food and Beverage Services (NC II)	1

