

1 ISOMETRIC VIEW  
1 SCALE - M

### TECHNICAL SPECIFICATIONS OF STUDENT TABLE

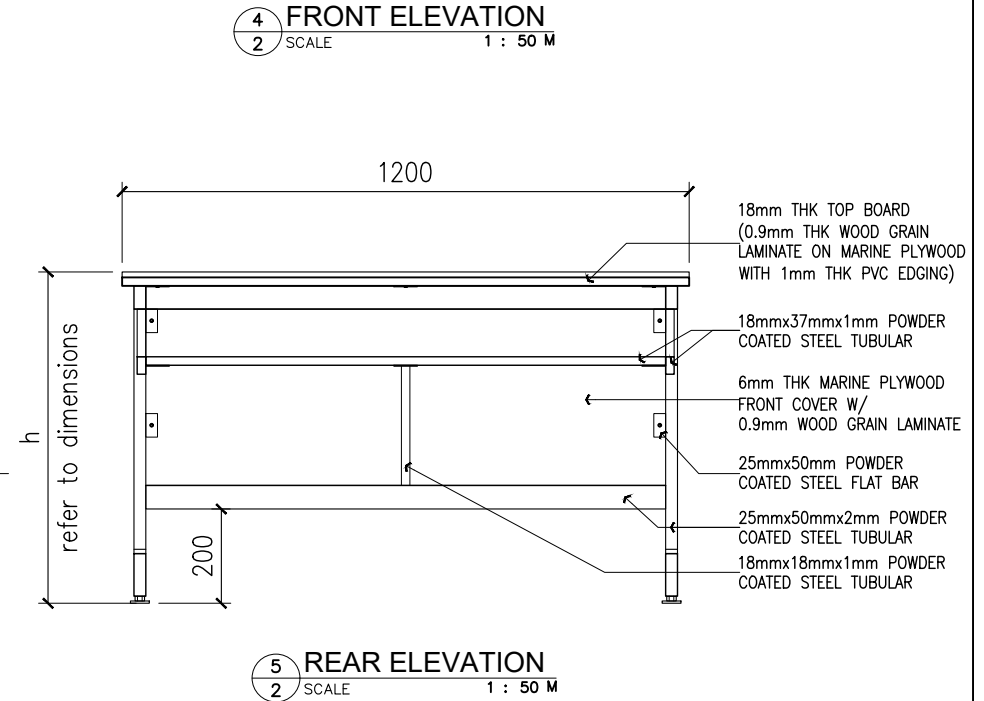
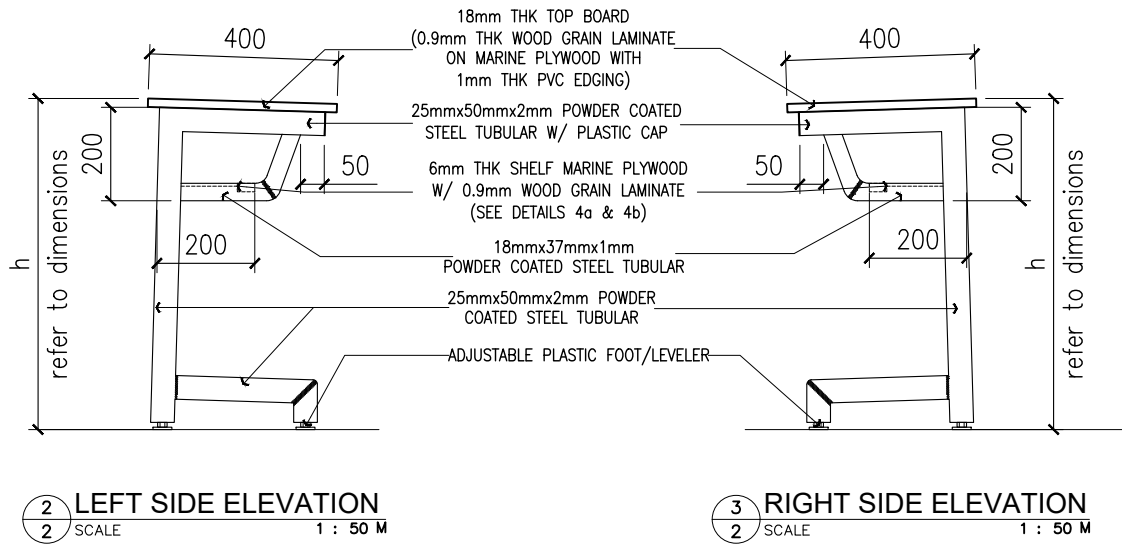
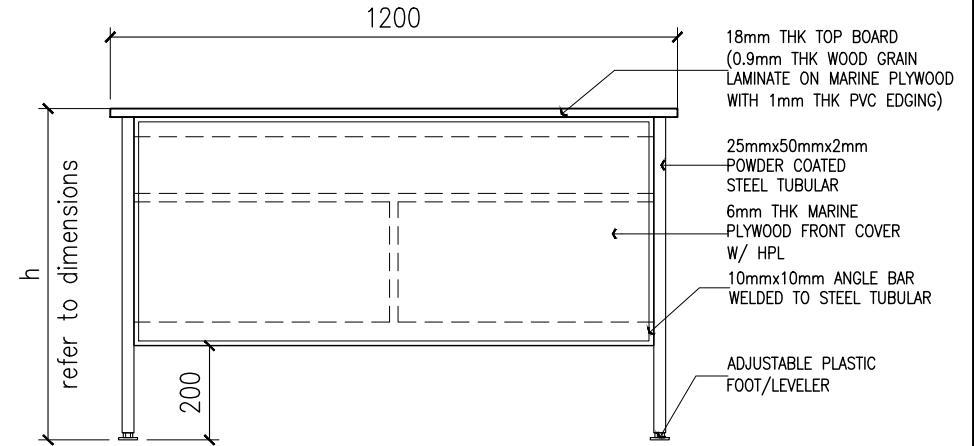
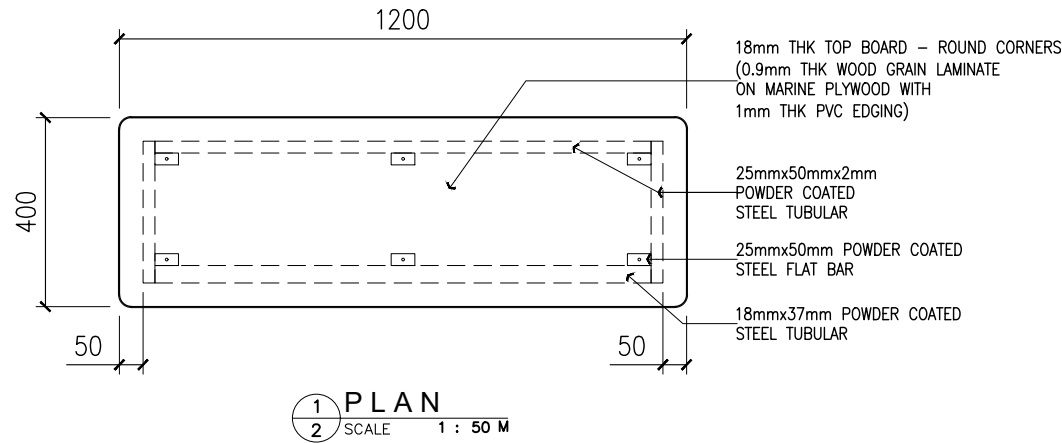
MARK	COMPONENT	SPECIFICATIONS
A	TABLE TOP	18mm THK TOP BOARD WITH ROUND CORNERS (0.9mm THK HIGH PRESSURE WOOD GRAIN LAMINATE ON MARINE PLYWOOD)
B	EDGING	1mm THK PVC EDGING
C	SHELF	6mm THK MARINE PLYWOOD W/ 0.9mm HIGH PRESSURE WOOD GRAIN LAMINATE
D	FRONT COVER	6mm THK MARINE PLYWOOD W/ 0.9mm HIGH PRESSURE WOOD GRAIN LAMINATE
E	MAIN FRAME	25mmx50mmx2mm (1"x2") STEEL TUBULAR
F	SECONDARY FRAME	18mmx37mmx1mm (3/4"x1 1/2") STEEL TUBULAR
G	ADJUSTABLE LEVELER	12mm $\phi$ x50mm (thread size) with 40mm $\phi$ PLASTIC BASE
	FLAT BAR	25mm x 50mm x 4mm THK
	FINISH	REFER TO SCHEDULE OF FINISHES
	CONNECTION	WOOD TO STEEL: SCREW; RIVETS STEEL TO STEEL: <u>FULL WELDING</u>

### SCHEDULE OF FINISHES

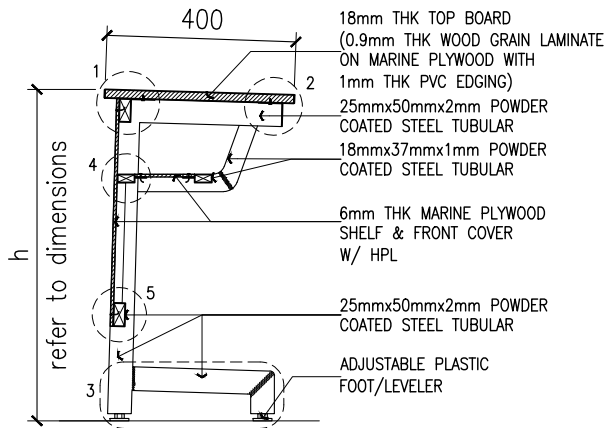
TOP BOARD	0.9mm THK HIGH PRESSURE WOOD GRAIN LAMINATE w/ 1.0mm THK PVC EDGING
FRONT COVER	0.9mm THK HIGH PRESSURE WOOD GRAIN LAMINATE W/ STEEL U-FRAME ON ALL SIDES / EDGES (SEE DETAILS 6 & 7)
SHELF	0.9mm THK HIGH PRESSURE WOOD GRAIN LAMINATE
STEEL TUBULAR	ALL SURFACE SHALL BE POWDER COATED (BLACK)

### DIMENSIONS OF STUDENT TABLE (mm)

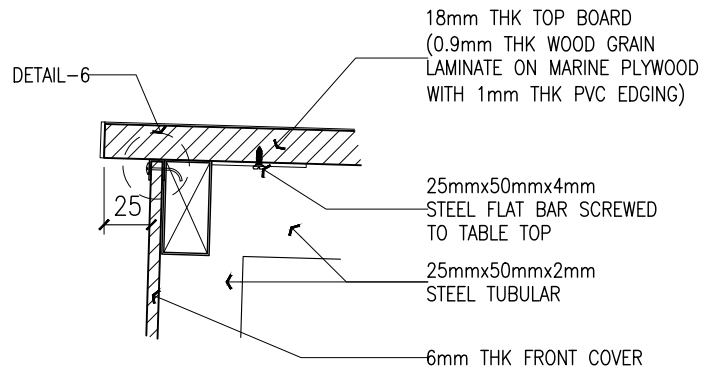
MARK	COMPONENT	DIMENSIONS	
		ELEMENTARY	SECONDARY
a	TABLE HEIGHT	670 ( $\pm 10$ )	710 ( $\pm 10$ )
b	TABLE LENGTH	1200	1200
c	TABLE WIDTH	400	400



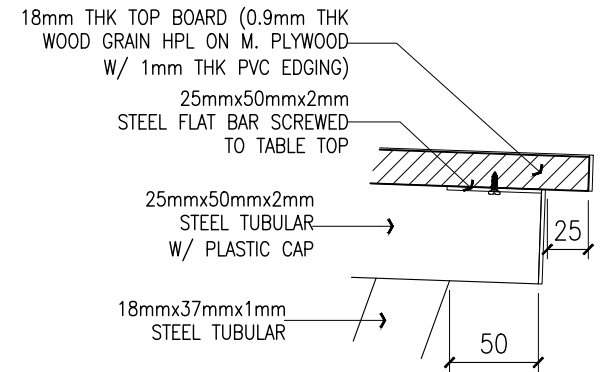
NOTE:  
HPL = HIGH PRESSURE LAMINATE



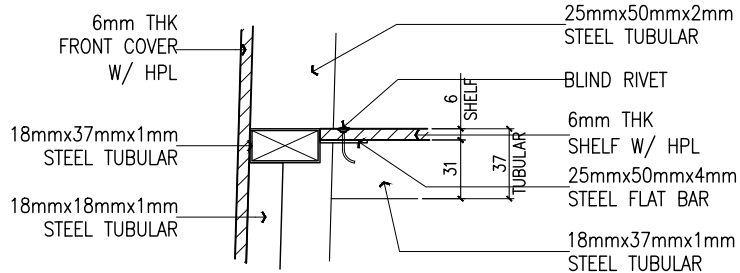
1 CROSS SECTION  
3 SCALE 1 : 50 M



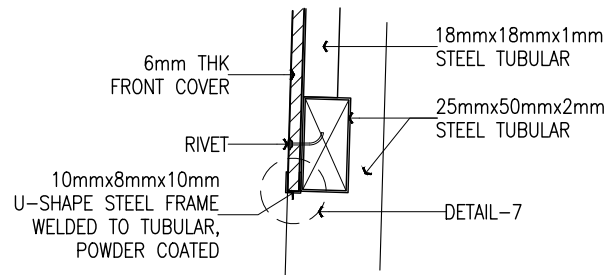
2 DETAIL - 1  
3 SCALE 1 : 20 M



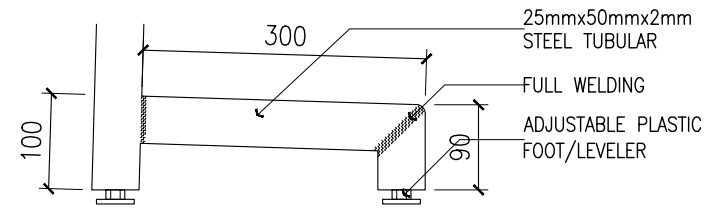
3 DETAIL - 2  
3 SCALE 1 : 20 M



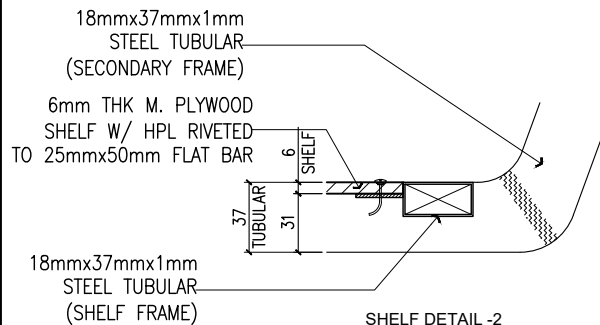
4 SHELF DETAIL - 1  
3 SCALE 1 : 20 M



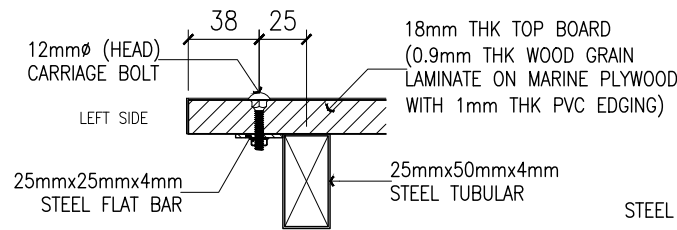
5 DETAIL - 5  
3 SCALE 1 : 20 M



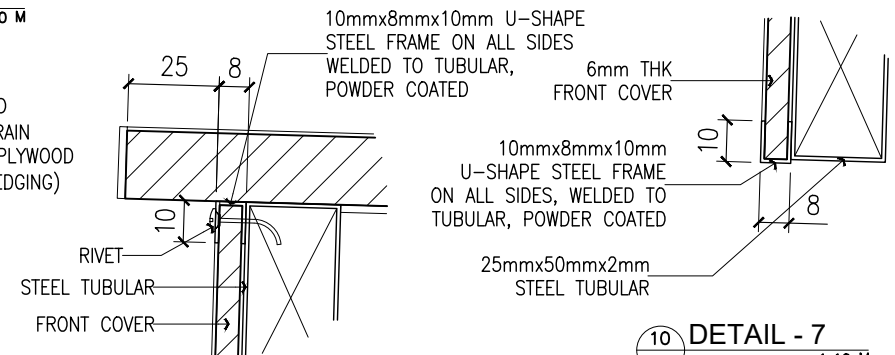
6 DETAIL - 3  
3 SCALE 1 : 20 M



7 SHELF DETAIL - 2  
3 SCALE 1 : 20 M



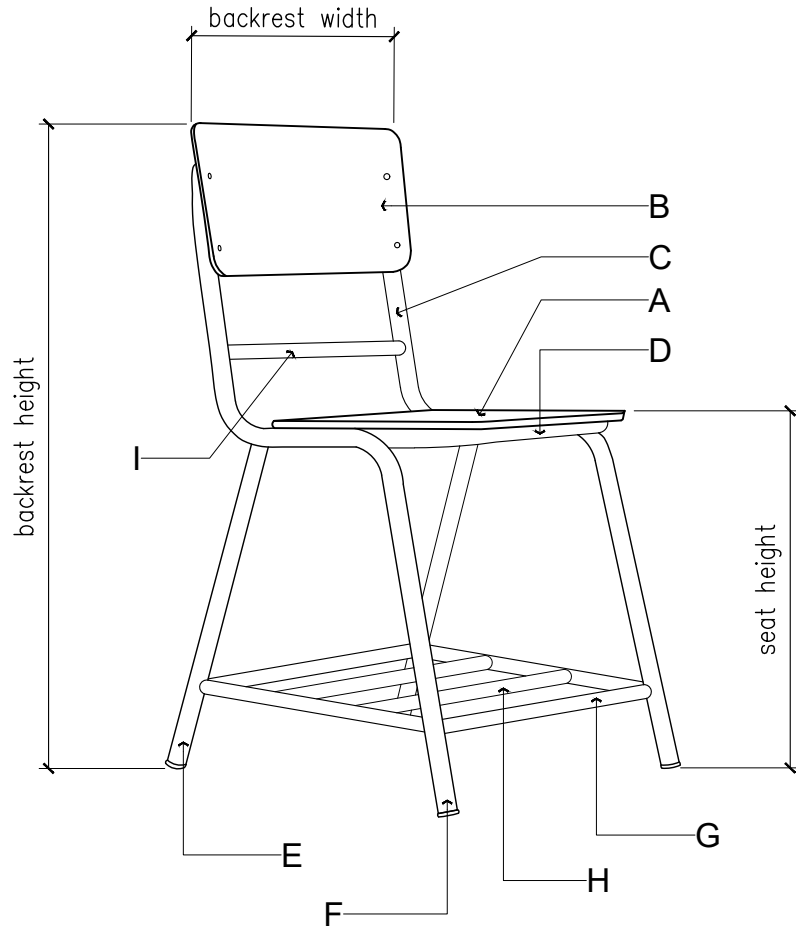
8 CONNECTION ON CORNERS  
3 SCALE 1 : 20 M



9 DETAIL - 6  
3 SCALE 1 : 20 M

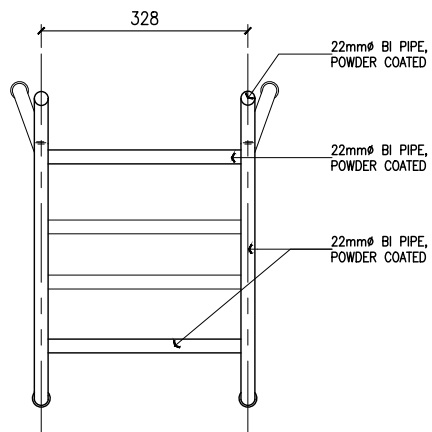
ABBREVIATIONS / NOTES:  
HPL = HIGH PRESSURE LAMINATE  
M. PLYWOOD = MARINE PLYWOOD

10 DETAIL - 7  
3 SCALE 1 : 10 M

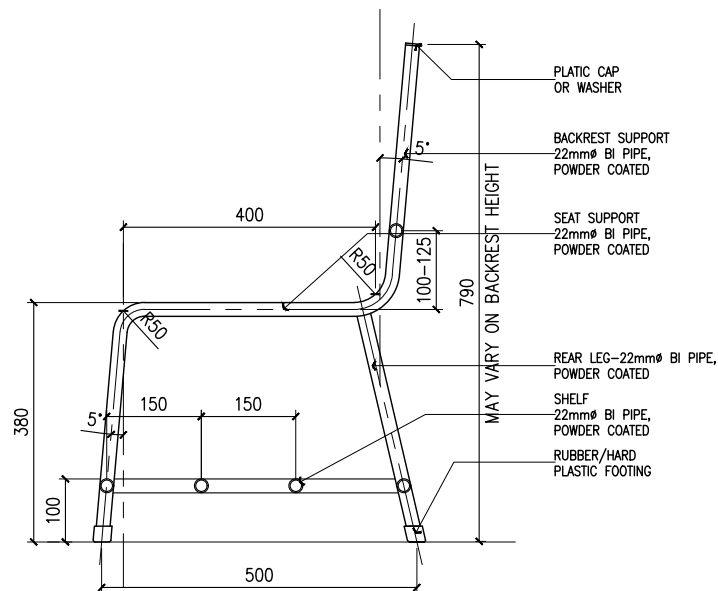


1 ISOMETRIC- STUDENT CHAIR  
1 SCALE - M

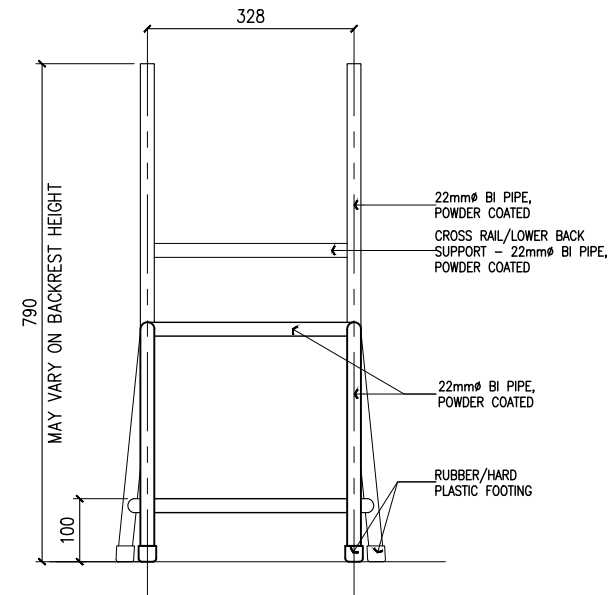
TECHNICAL SPECIFICATIONS OF STUDENT CHAIR		
MARK	COMPONENT	SPECIFICATIONS
A	SEAT	18mm THK MARINE PLYWOOD OR 6mm THK POLYPROPYLENE PLASTIC (min.)
B	BACKREST	18mm THK MARINE PLYWOOD OR 6mm THK POLYPROPYLENE PLASTIC (min.)
C	BACKREST SUPPORT	22mmØ B.I. PIPE
D	SEAT SUPPORT	22mmØ B.I. PIPE
E	BACK LEG	22mmØ B.I. PIPE
F	FRONT LEG	22mmØ B.I. PIPE
G	LEG SUPPORT	22mmØ B.I. PIPE
H	SHELF	22mmØ B.I. PIPE
I	CROSS RAIL / LOWER BACK SUPPORT	22mmØ B.I. PIPE
	PIPE END COVER/CAP	4mm THK RUBBER OR HARD PLASTIC
	CONNECTORS	
	WOOD & STEEL	6mmØ CARRIAGE ROUND HEAD NUT & BOLT 25mmx50mmx2mm STEEL FLAT BAR
	PLASTIC & STEEL	RIVETS
SCHEDULE OF FINISHES		
MARINE PLYWOOD	0.9mm THK HIGH PRESSURE WOOD GRAIN LAMINATE w/ 1.0mm THK PVC EDGING	
POLYPROPYLENE PLASTIC	ALL SURFACE SHALL HAVE SMOOTH, GLOSSY FINISH (COLOR AS APPROVED BY THE OWNER)	
STEEL / BI PIPE	ALL SURFACE SHALL BE POWDER COATED (BLACK)	
DIMENSIONS (mm)		
COMPONENT	ELEMENTARY	SECONDARY
SEAT HEIGHT	390 (±10)	410 (±10)
SEAT DEPTH	400 (±10)	400 (±10)
SEAT WIDTH	400 (±10)	400 (±10)
BACKREST HEIGHT	800 (±10)	800 (±10)
BACKREST WIDTH	400 (±10)	400 (±10)



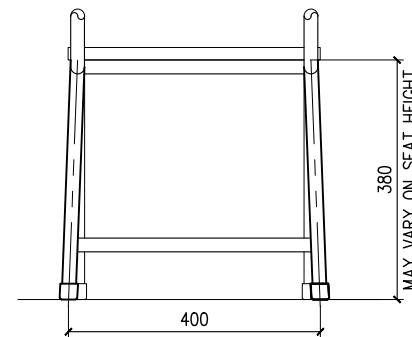
1 PLAN OF B.I. PIPE  
2 SCALE 1 : 40 M



B.I. PIPE  
2 SIDE ELEVATION  
2 SCALE 1 : 40 M



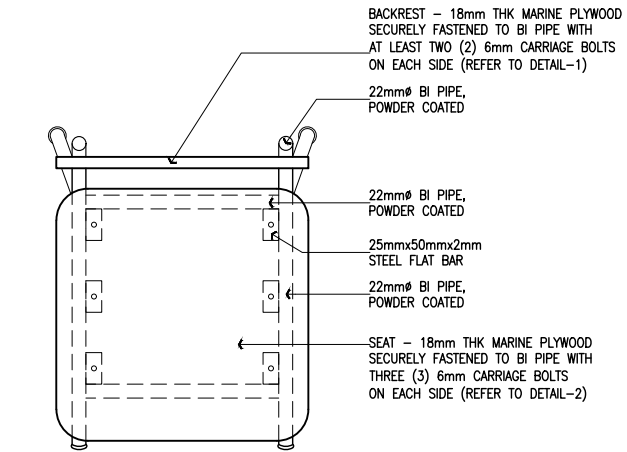
B.I. PIPE  
3 FRONT ELEVATION  
2 SCALE 1 : 40 M



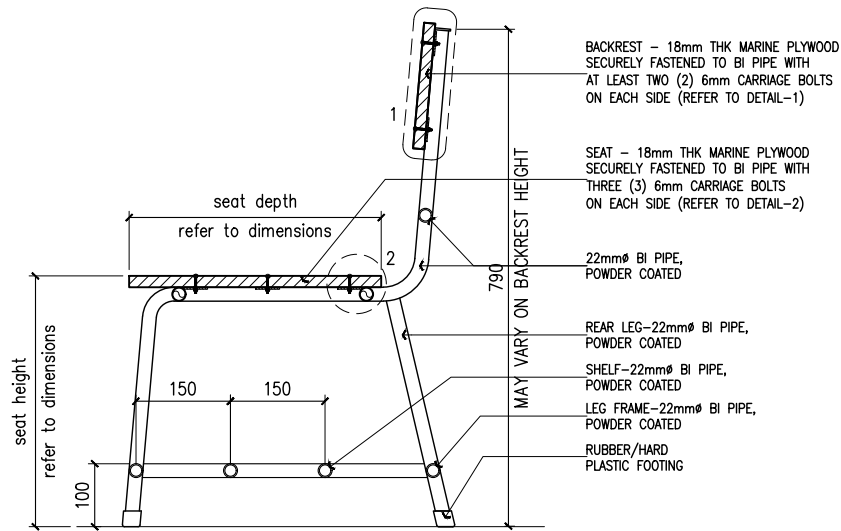
B.I. PIPE  
4 REAR ELEVATION  
2 SCALE 1 : 40 M

NOTE:  
CROSS RAIL HEIGHT/LOWER BACK SUPPORT MAY VARY DEPENDING ON BACKREST HEIGHT

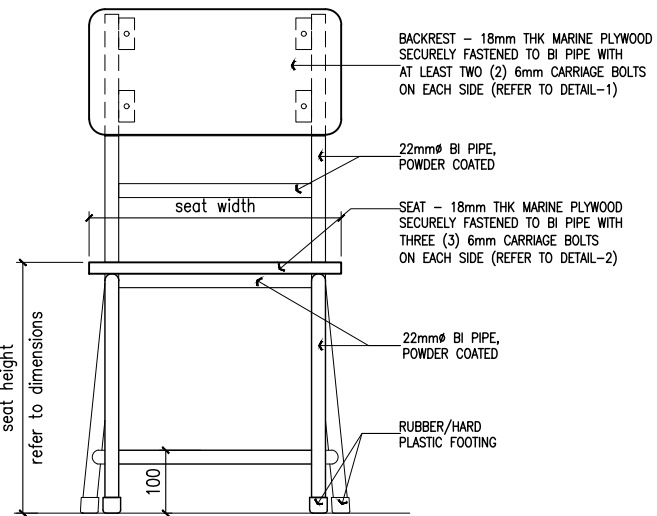
## DETAILS OF B.I. PIPE FRAME



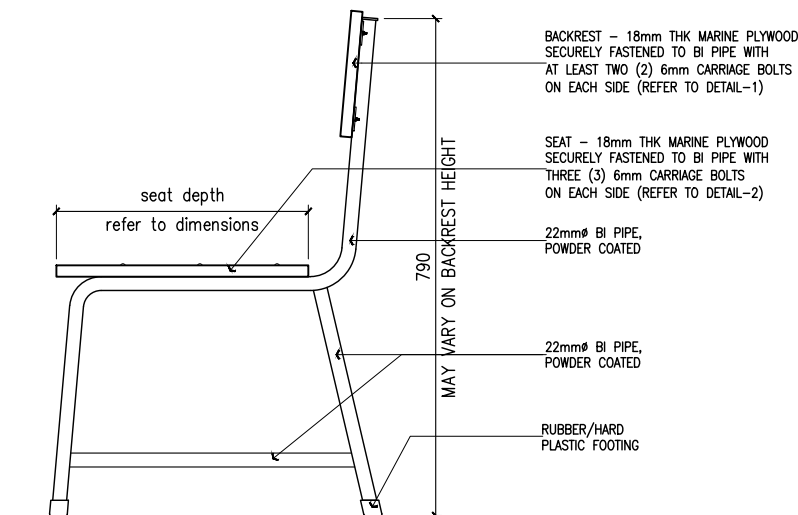
WOOD & STEEL COMBINATION  
**1**  
**3** SCALE 1 : 40 M  
**PLAN OF STUDENT CHAIR**



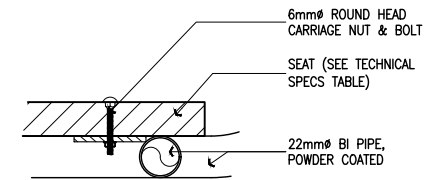
WOOD & STEEL COMBINATION  
**3**  
**3** SCALE 1 : 40 M  
**CROSS SECTION**



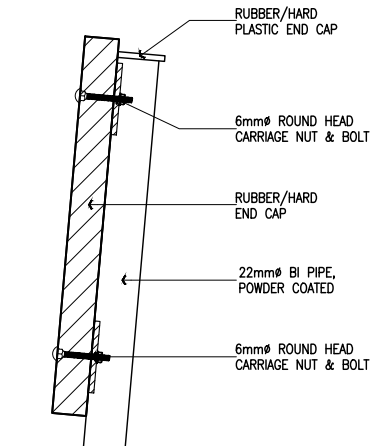
WOOD & STEEL COMBINATION  
**2**  
**3** SCALE 1 : 40 M  
**FRONT ELEVATION**



WOOD & STEEL COMBINATION  
**4**  
**3** SCALE 1 : 40 M  
**SIDE ELEVATION**



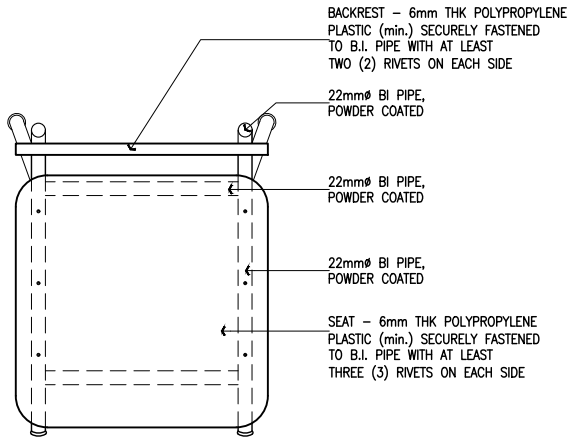
**5**  
**3** SCALE 1 : 25 M  
**DETAIL - 2**



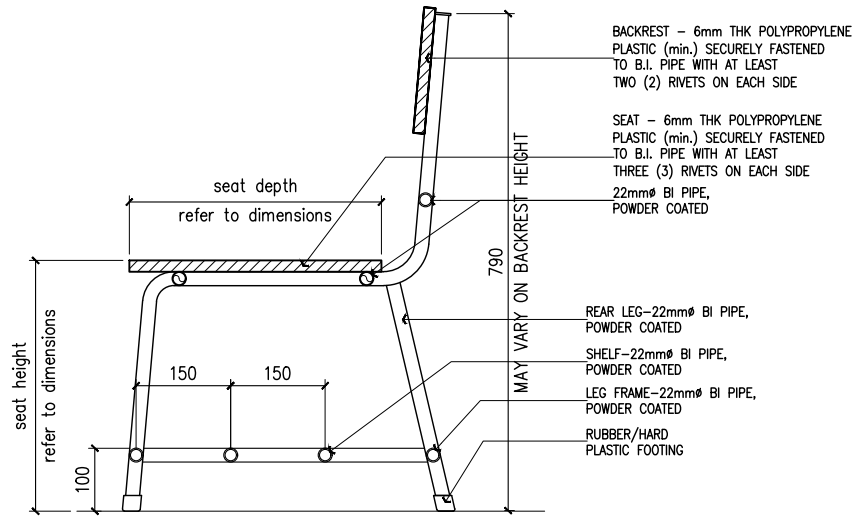
**6**  
**3** SCALE 1 : 25 M  
**DETAIL - 1**

**DETAILS FOR WOOD & STEEL STUDENT CHAIR**

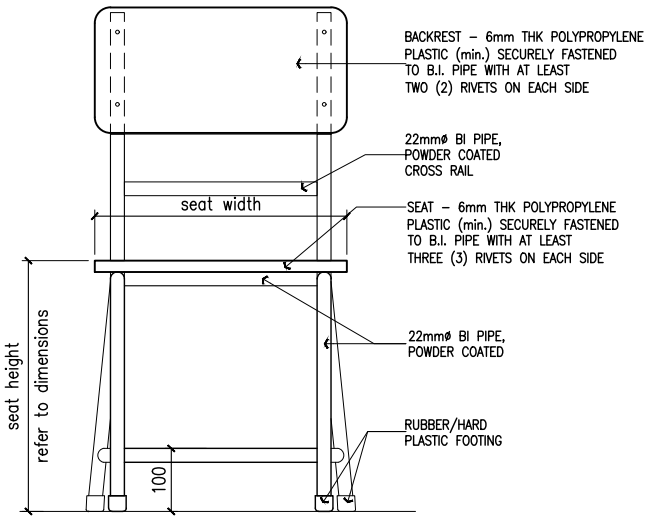
NOTE:  
 CROSS RAIL HEIGHT/LOWER BACK SUPPORT MAY VARY DEPENDING ON BACKREST HEIGHT



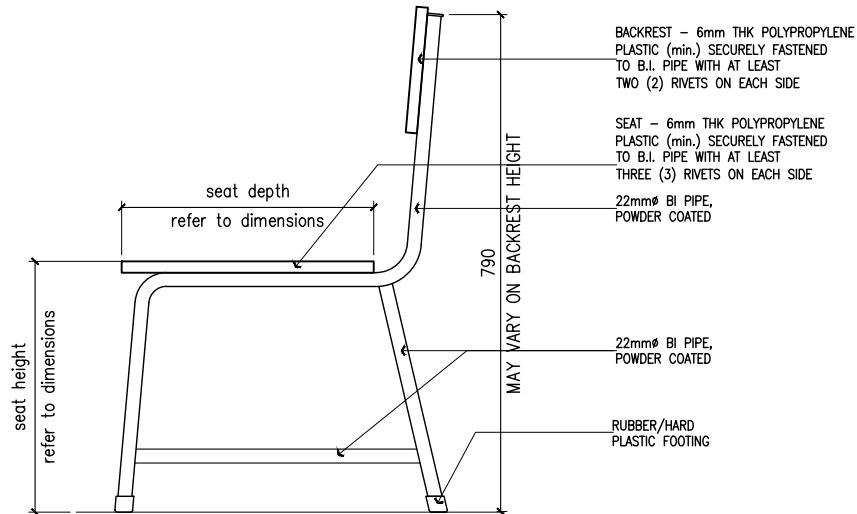
1  
4  
PLASTIC & STEEL COMBINATION  
PLAN OF STUDENT CHAIR  
SCALE 1 : 40 M



3  
4  
PLASTIC & STEEL COMBINATION  
CROSS SECTION  
SCALE 1 : 40 M



2  
4  
PLASTIC & STEEL COMBINATION  
FRONT ELEVATION  
SCALE 1 : 40 M



4  
4  
PLASTIC & STEEL COMBINATION  
SIDE ELEVATION  
SCALE 1 : 40 M

NOTE:  
CROSS RAIL HEIGHT/LOWER BACK SUPPORT MAY VARY DEPENDING ON BACKREST HEIGHT

## DETAILS FOR PLASTIC & STEEL STUDENT CHAIR