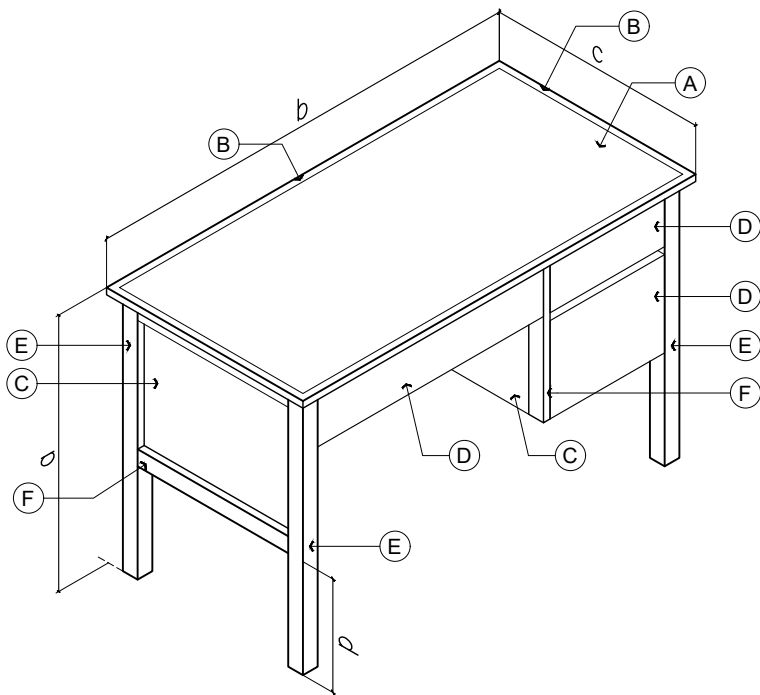


DIMENSIONS OF TEACHER'S TABLE (mm)			
MARK	COMPONENT	DIMENSION	REMARKS
a	TABLE HEIGHT	750	ALL DIMENSIONS SHALL BE SUBJECTED TO A MAXIMUM TOLERANCE OF PLUS OR MINUS 10mm
b	TABLE LENGTH	1200	
c	TABLE WIDTH	600	
d	SIDINGS/BACKING HEIGHT	300	

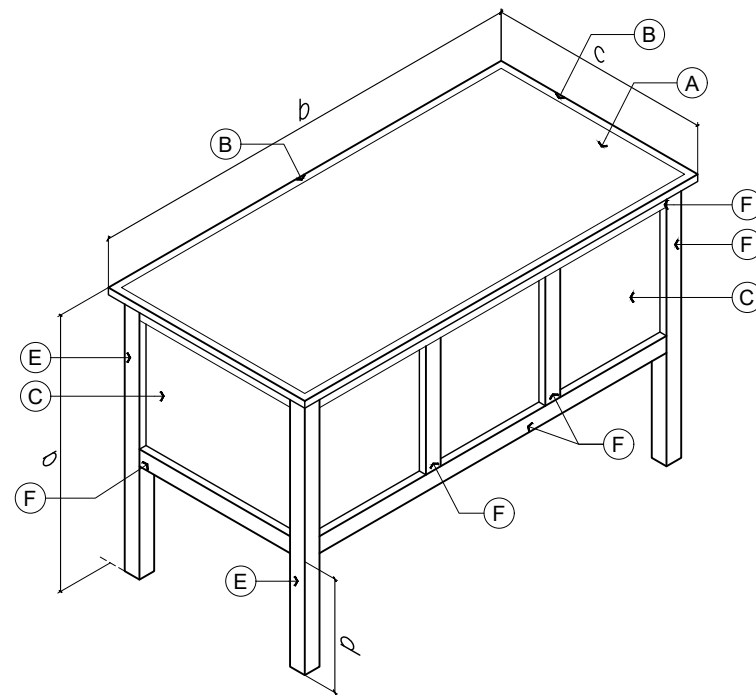
PAINTING SCHEDULE	
SANDING	ALL SURFACE TO BE COATED SHALL BE SMOOTHLY SANDED
1st COAT	OIL WOOD STAIN - OAK FULL COLOR (4 COATS)
INTERMEDIATE COAT	LACQUER SANDING SEALER (2 COATS)
TOP COAT	CLEAR GLOSS LACQUER (2 COATS)

TECHNICAL SPECIFICATIONS OF TEACHER'S TABLE			
MARK	COMPONENT	SPECIFICATIONS	REMARKS
A	TABLE TOP	18mm THK SOLID WOOD OR 18mm THK MARINE PLYWOOD	ALL THICKNESS OF WOOD EXCEPT FOR MARINE PLYWOOD SHALL BE SUBJECTED TO A TOLERANCE OF PLUS OR MINUS 2mm
B	EDGING	18mmx20mm SOLID WOOD	
C	SIDING/BACKING	6mm THK MARINE PLYWOOD	
D	DRAWER	(REFER TO 'TECHNICAL SPECIFICATIONS OF DRAWERS'- SHEET NO. 7 OF 10)	
E	LEG	45mmx45mm SOLID WOOD	
F	FRAME/NAILER	20mmx45mm THK SOLID WOOD	
	FINISH	SMOOTH FINISH; REFER TO PAINTING SCHEDULE	

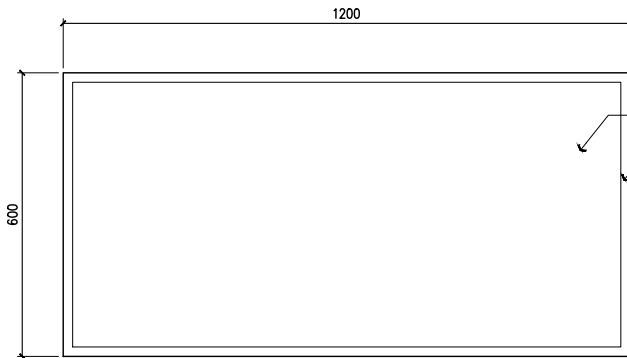
NOTE: ALL SOLID WOOD MUST BE TREATED (SUN-DRIED OR KILN-DRIED)  
SPECIE: TANGUILE, GEMELINA OR RED LAUAN



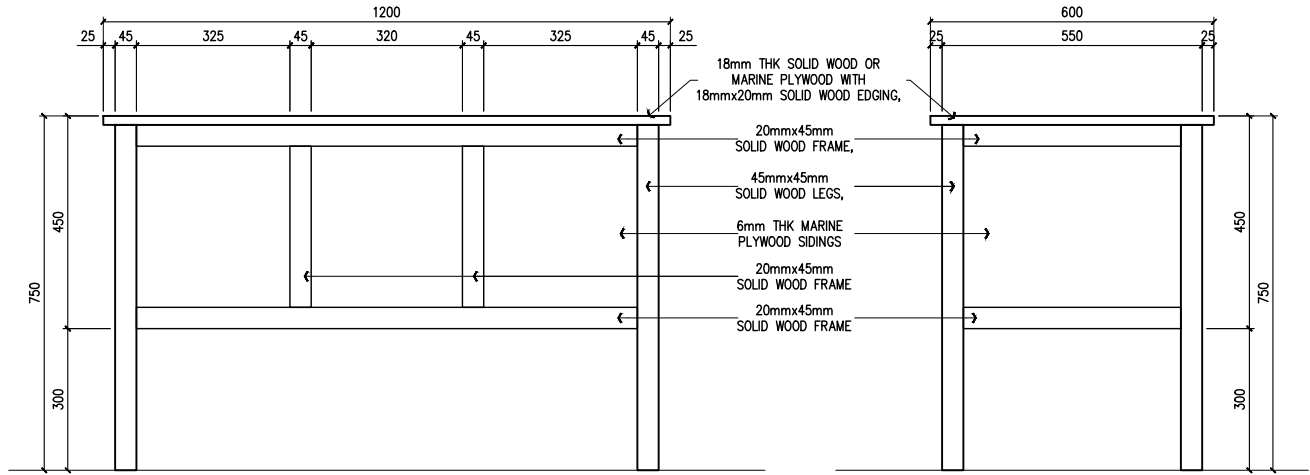
FRONT-LEFT SIDE  
1 ISOMETRIC VIEW  
2 SCALE 1 : 50 M



REAR-RIGHT SIDE  
2 ISOMETRIC VIEW  
2 SCALE 1 : 50 M

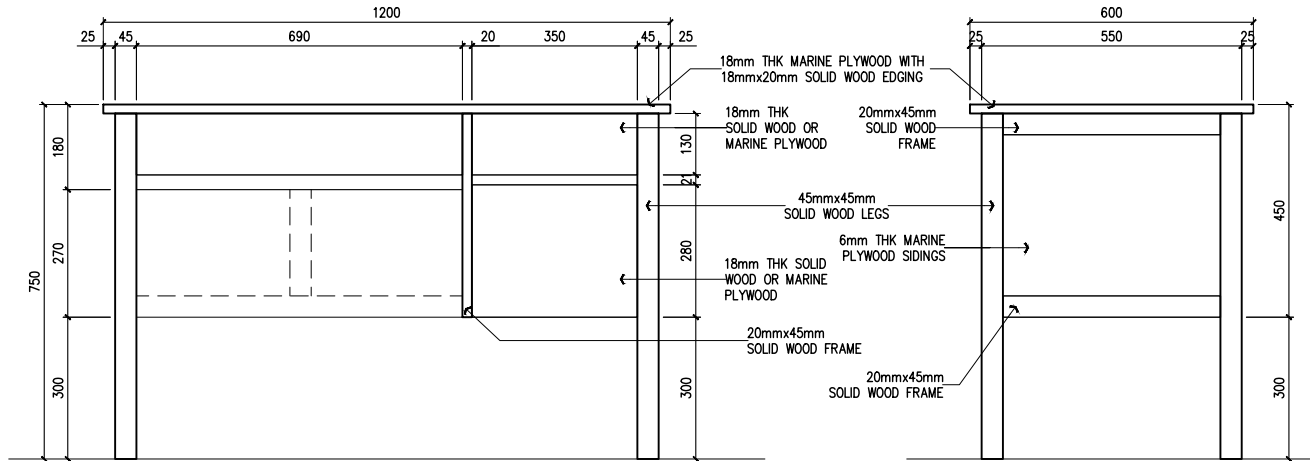


1 PLAN  
2 SCALE 1 : 40 M



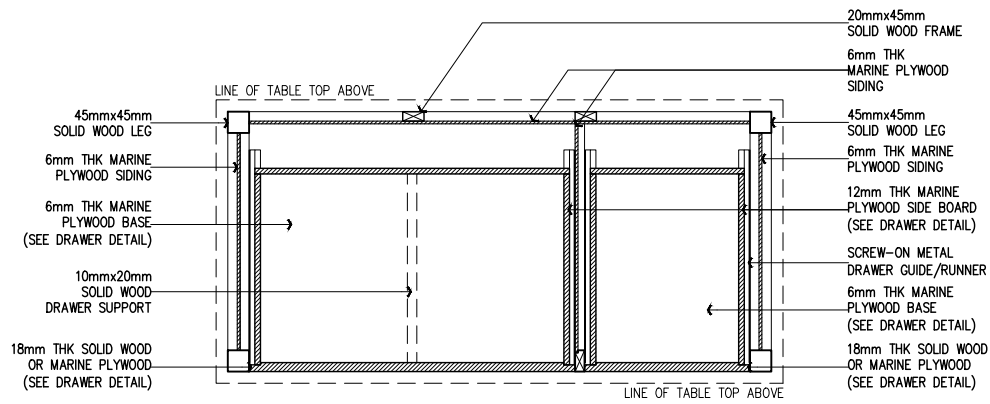
2 FRONT ELEVATION  
2 SCALE 1 : 40 M

3 RIGHT-SIDE ELEVATION  
2 SCALE 1 : 40 M

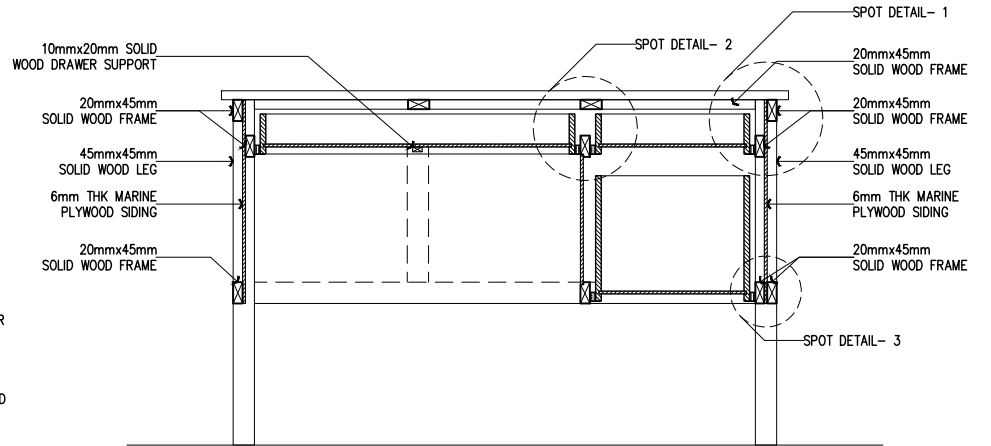


4 REAR ELEVATION  
2 SCALE 1 : 40 M

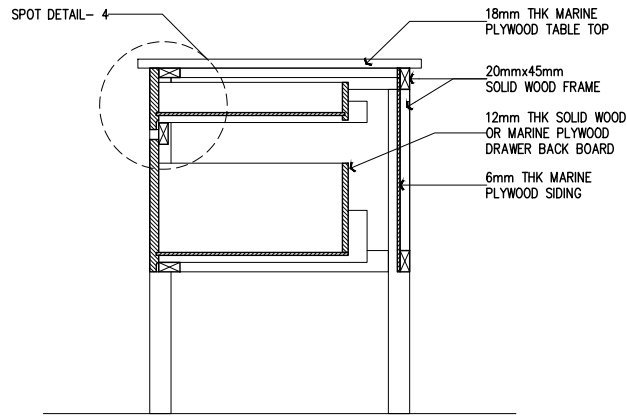
5 LEFT-SIDE ELEVATION  
2 SCALE 1 : 40 M



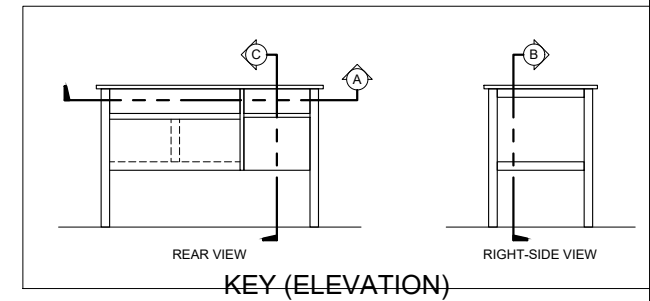
1 SECTION THRU- A  
3 SCALE 1 : 40 M

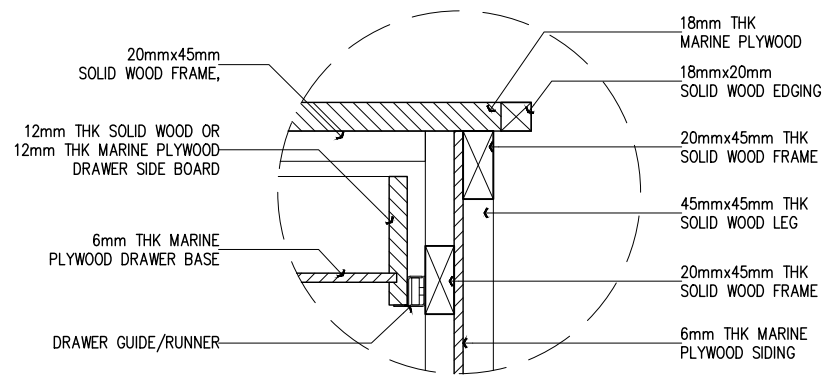


1 SECTION THRU- B  
3 SCALE 1 : 40 M

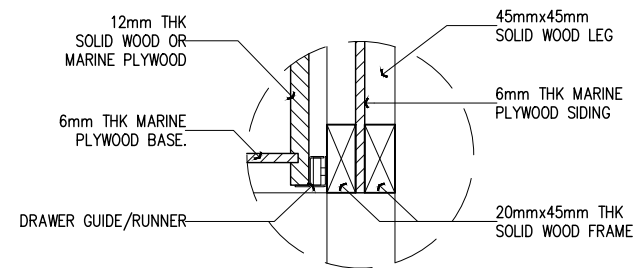


1 SECTION THRU- C  
3 SCALE 1 : 40 M

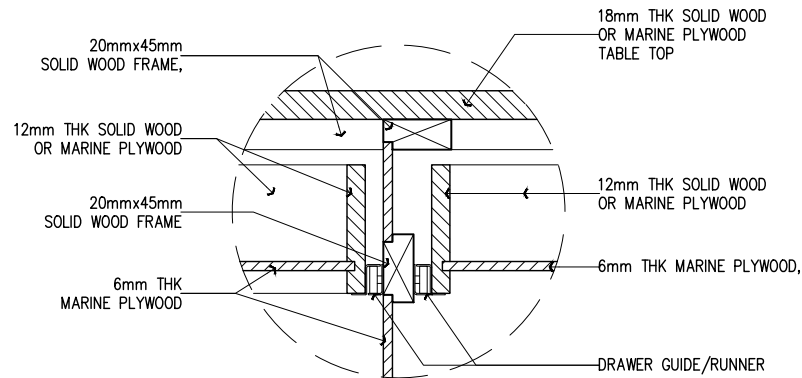




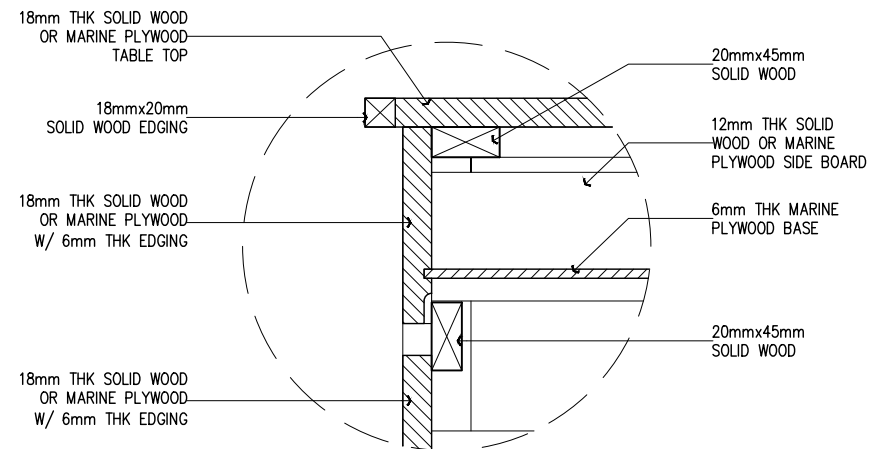
1 SPOT DETAIL- 1  
4 SCALE 1 : 25 M



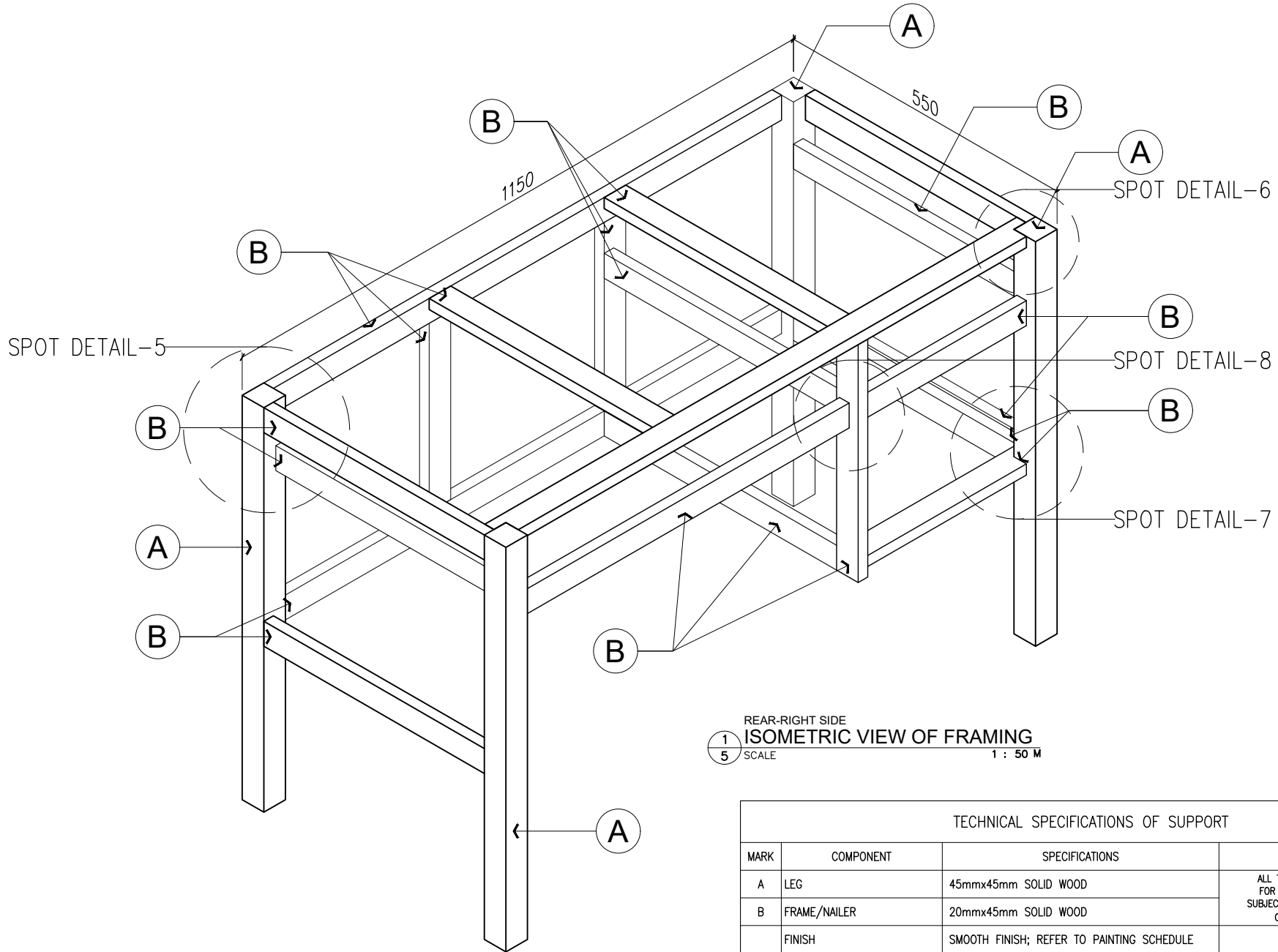
3 SPOT DETAIL- 3  
4 SCALE 1 : 25 M



2 SPOT DETAIL- 2  
4 SCALE 1 : 25 M



4 SPOT DETAIL- 4  
4 SCALE 1 : 25 M

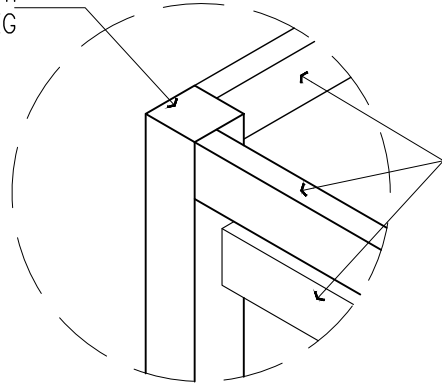


REAR-RIGHT SIDE  
**ISOMETRIC VIEW OF FRAMING**  
 1/5 SCALE 1 : 50 M

TECHNICAL SPECIFICATIONS OF SUPPORT			
MARK	COMPONENT	SPECIFICATIONS	REMARKS
A	LEG	45mmx45mm SOLID WOOD	ALL THICKNESS OF WOOD EXCEPT FOR MARINE PLYWOOD SHALL BE SUBJECTED TO A MAXIMUM TOLERANCE OF PLUS OR MINUS 2mm
B	FRAME/NAILER	20mmx45mm SOLID WOOD	
	FINISH	SMOOTH FINISH; REFER TO PAINTING SCHEDULE	

NOTE: ALL SOLID WOOD MUST BE TREATED (SUN-DRIED OR KILN-DRIED)

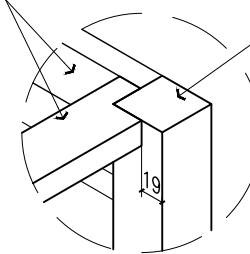
45mmx45mm  
SOLID WOOD LEG



20mmx45mm  
SOLID WOOD  
FRAME/NAILER

1 SPOT DETAIL- 5  
6 SCALE 1 : 25 M

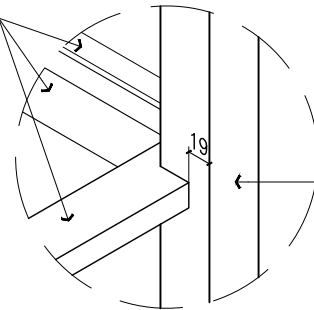
20mmx45mm  
SOLID WOOD  
FRAME/NAILER,  
MAPLE PAINT FIN.



45mmx45mm  
SOLID WOOD LEG

2 SPOT DETAIL- 6  
6 SCALE 1 : 25 M

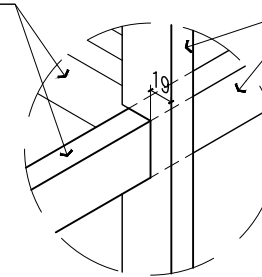
20mmx45mm  
SOLID WOOD  
FRAME/NAILER



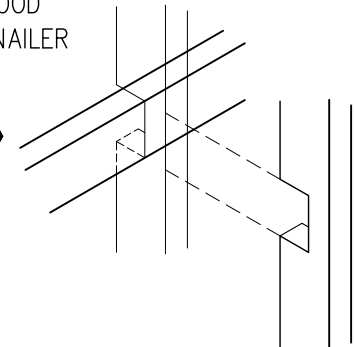
45mmx45mm  
SOLID WOOD LEG

3 SPOT DETAIL- 7  
6 SCALE 1 : 25 M

20mmx45mm  
SOLID WOOD  
FRAME/NAILER



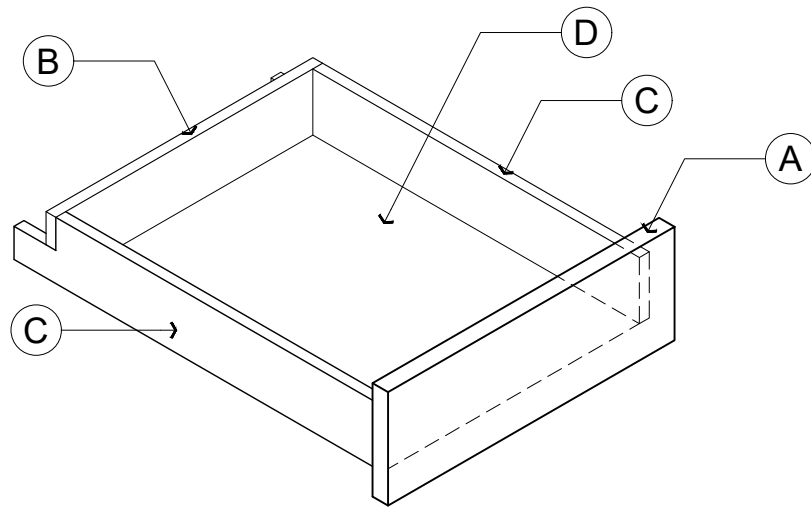
20mmx45mm  
SOLID WOOD  
FRAME/NAILER



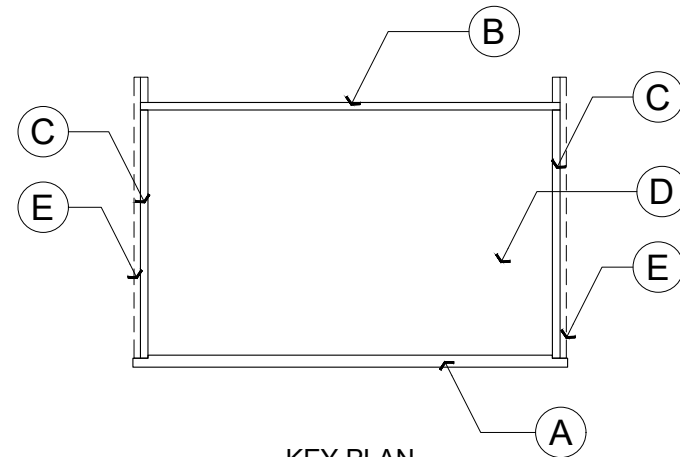
4 SPOT DETAIL- 8  
6 SCALE 1 : 25 M

TECHNICAL SPECIFICATIONS OF DRAWERS			
MARK	COMPONENT	SPECIFICATIONS	REMARKS
A	FRONT BOARD	18mm THK SOLID WOOD OR 18mm THK MARINE PLYWOOD WITH 6mm WOOD EDGING	ALL THICKNESS OF WOOD EXCEPT FOR MARINE PLYWOOD SHALL BE SUBJECTED TO A TOLERANCE OF PLUS OR MINUS 2mm
B	BACK BOARD	12mm THK SOLID WOOD OR 12mm THK MARINE PLYWOOD WITH 6mm WOOD EDGING	
C	SIDE BOARD	12mm THK SOLID WOOD OR 12mm THK MARINE PLYWOOD WITH 6mm WOOD EDGING	
D	BASE BOARD	6mm MARINE PLYWOOD	
E	DRAWER GUIDE / RUNNER	1.2mm THK x 450mm LENGTH SCREW-ON, SLIDING TYPE METAL GUIDE/RUNNER WITH HARD PLASTIC ROLLER	
	FINISH	SMOOTH FINISH; REFER TO PAINTING SCHEDULE SHEET 1 OF 10	

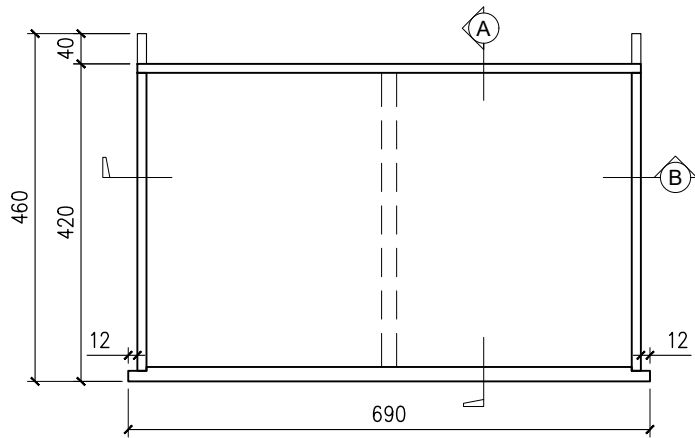
NOTE: ALL SOLID WOOD MUST BE TREATED (SUN-DRIED OR KILN-DRIED)  
SPECIE: TANGUILE, GEMELINA OR RED LAUAN



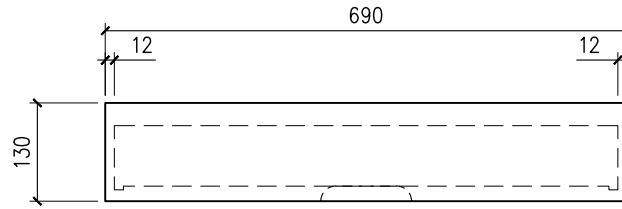
KEY- ISOMETRIC VIEW



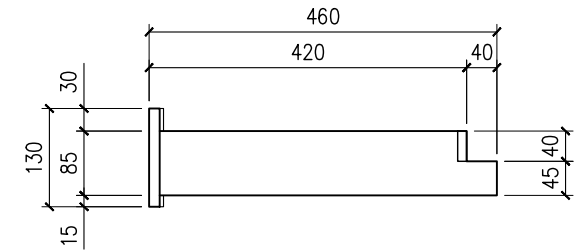
KEY PLAN



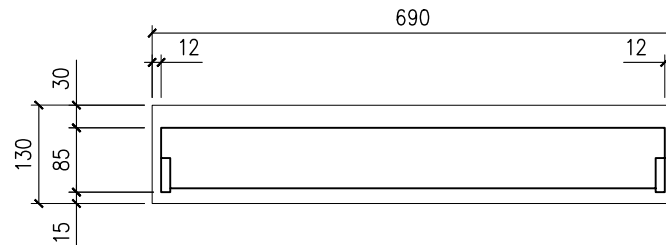
1 TOP VIEW  
8 SCALE 1 : 25 M



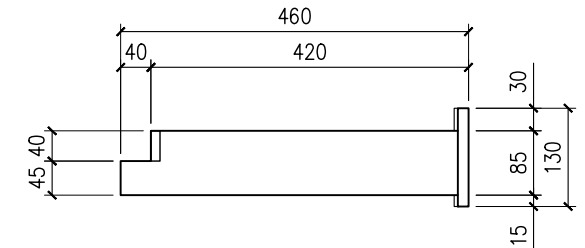
3 FRONT VIEW  
8 SCALE 1 : 25 M



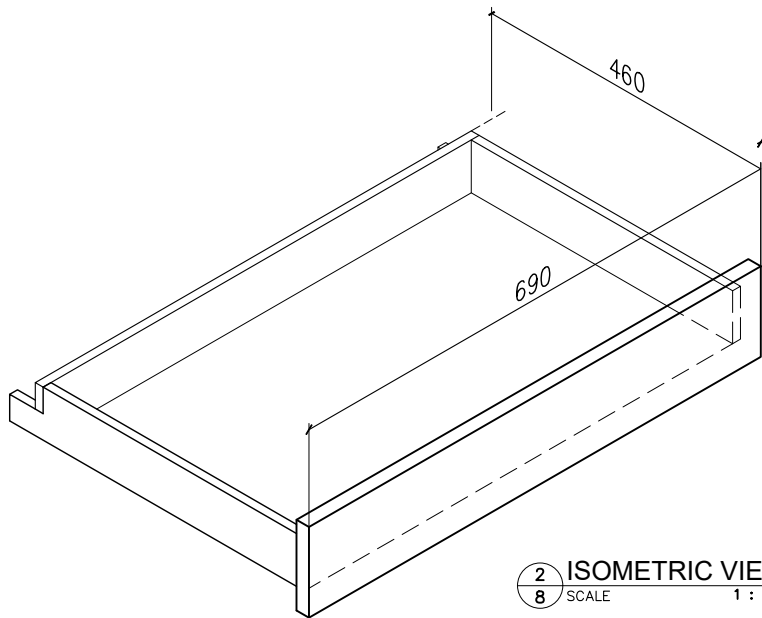
4 RIGHT-SIDE VIEW  
8 SCALE 1 : 25 M



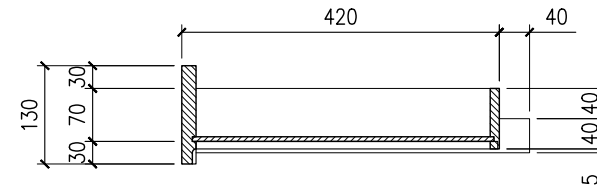
5 REAR VIEW  
8 SCALE 1 : 25 M



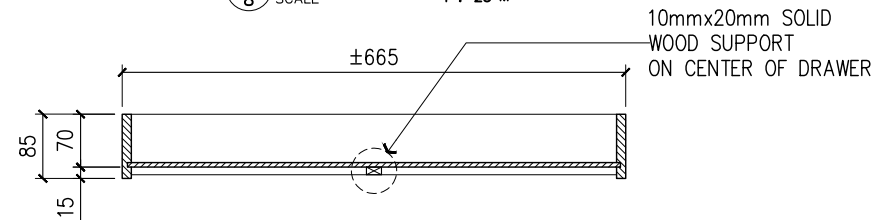
6 LEFT-SIDE VIEW  
8 SCALE 1 : 25 M



2 ISOMETRIC VIEW  
8 SCALE 1 : 25 M

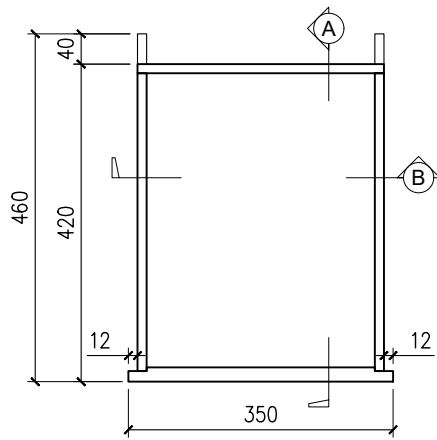


7 SECTION THRU-A  
8 SCALE 1 : 25 M

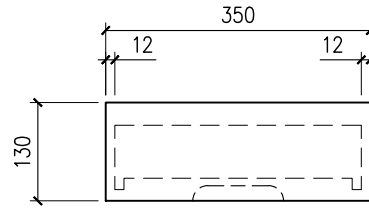


8 SECTION THRU-B  
8 SCALE 1 : 25 M

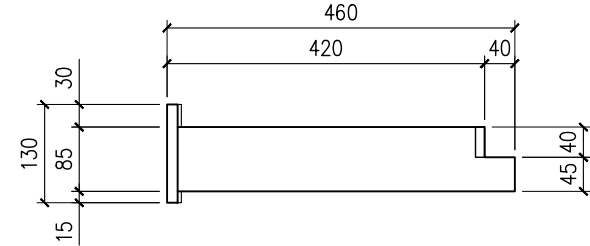
### DETAIL OF DRAWER-1



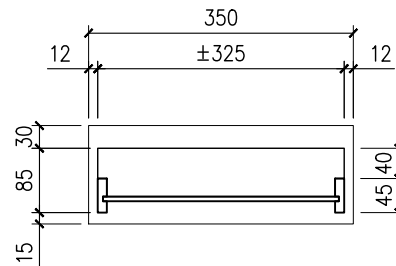
1 PLAN  
9 SCALE 1 : 25 M



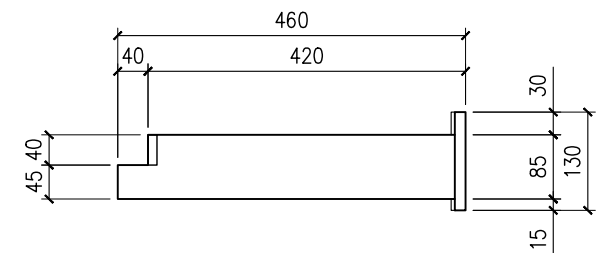
3 FRONT VIEW  
9 SCALE 1 : 25 M



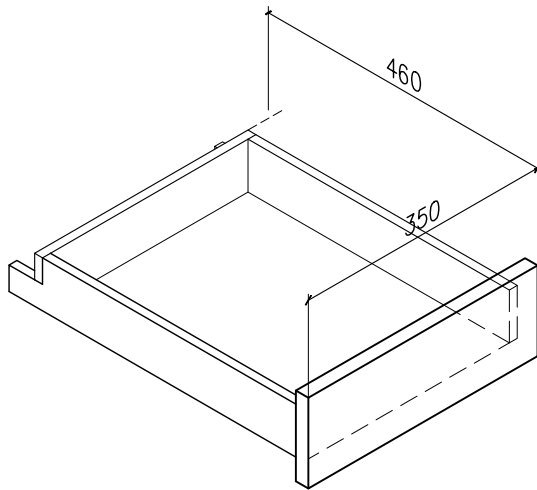
4 RIGHT-SIDE VIEW  
9 SCALE 1 : 25 M



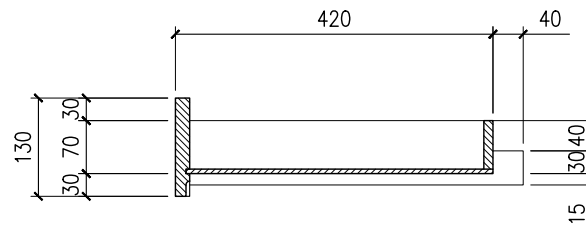
5 REAR VIEW  
9 SCALE 1 : 25 M



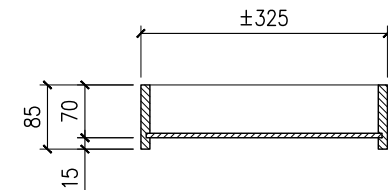
6 LEFT-SIDE VIEW  
9 SCALE 1 : 25 M



2 ISOMETRIC VIEW  
9 SCALE 1 : 25 M

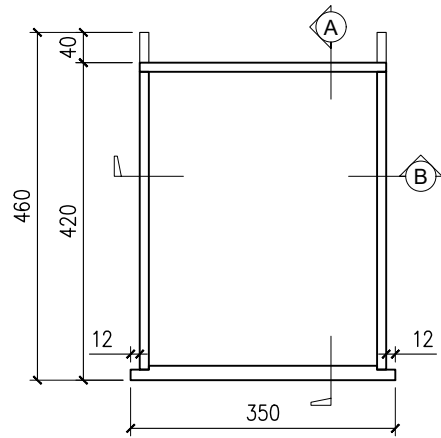


7 SECTION THRU-A  
9 SCALE 1 : 25 M

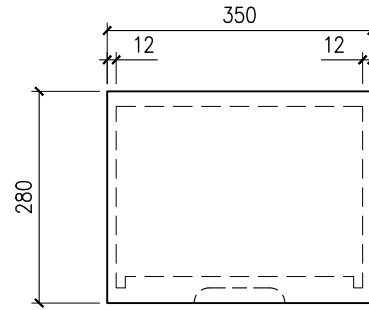


8 SECTION THRU-B  
9 SCALE 1 : 25 M

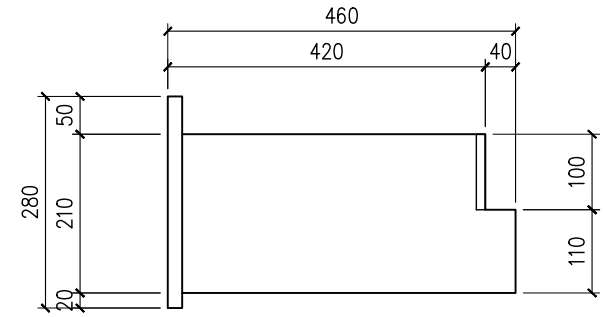
## DETAIL OF DRAWER- 2



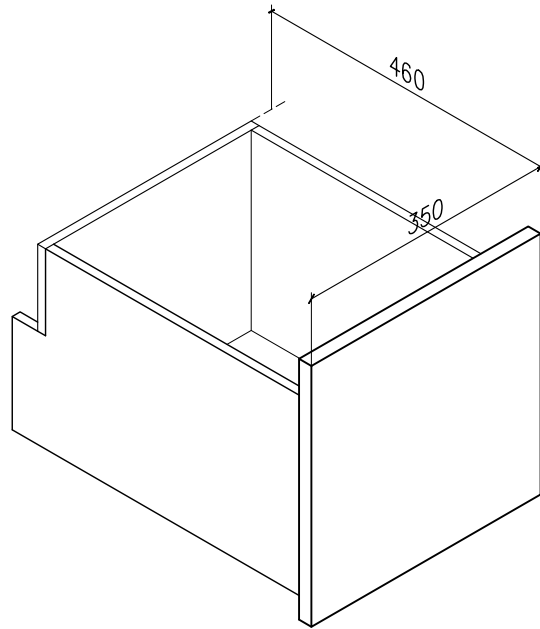
1 TOP VIEW  
10 SCALE 1 : 25 M



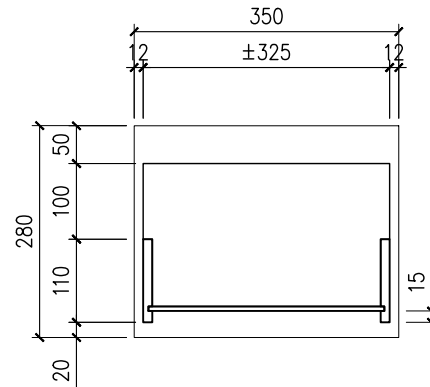
3 FRONT VIEW  
10 SCALE 1 : 25 M



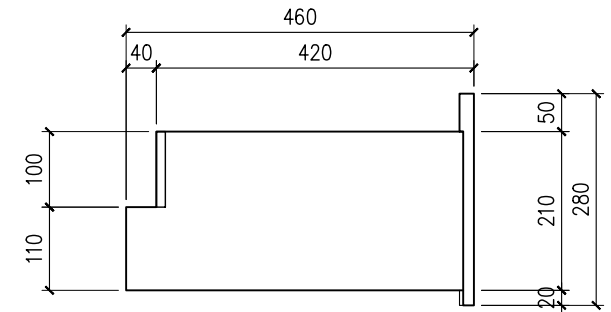
4 RIGHT-SIDE VIEW  
10 SCALE 1 : 25 M



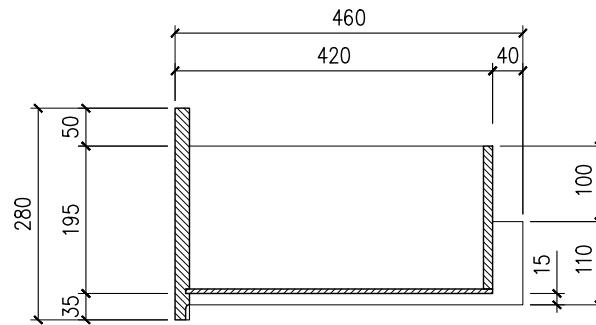
2 ISOMETRIC VIEW  
10 SCALE 1 : 25 M



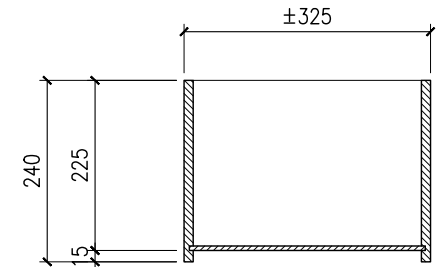
5 REAR VIEW  
10 SCALE 1 : 25 M



6 LEFT-SIDE VIEW  
10 SCALE 1 : 25 M



7 SECTION THRU-A  
10 SCALE 1 : 25 M



8 SECTION THRU-B  
10 SCALE 1 : 25 M

## DETAIL OF DRAWER- 3

