

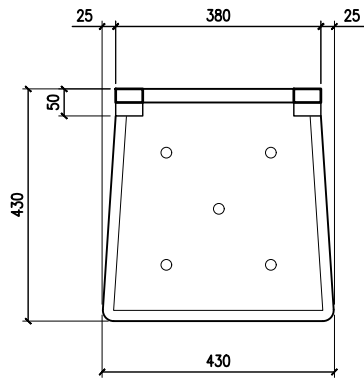
1 ISOMETRIC VIEW
1 SCALE 1 : 25 M

DIMENSIONS OF TEACHER'S CHAIR (mm)			
MARK	COMPONENT	DIMENSION	REMARKS
A	SEAT HEIGHT	440	ALL DIMENSIONS SHALL BE SUBJECT TO A MAXIMUM TOLERANCE OF PLUS OR MINUS 10mm
B	SEAT DEPTH	430	
C	SEAT WIDTH	430	
D	BACKREST HEIGHT	885	
E	BACKREST WIDTH	380	

TECHNICAL SPECIFICATIONS OF TEACHER'S CHAIR			
MARK	COMPONENT	SPECIFICATIONS	REMARKS
1	SEAT BOARD	18mm THK SOLID WOOD W/ 18mmx20mm SOLID WOOD EDGING OR 18mm THK MARINE PLYWOOD WITH 6mm (MIN.) WOOD EDGING; PROVIDE 5 SEAT VENTILATION HOLES	ALL THICKNESS OF WOOD EXCEPT FOR MARINE PLYWOOD SHALL BE SUBJECT TO A MAXIMUM TOLERANCE OF PLUS OR MINUS 2mm
2	LEG (FRONT & BACK)	50mmx50mm THK SOLID WOOD	
3	BACK REST	a: 20mm THK x 100mm SOLID WOOD b: 25mm THK x 50mm SOLID WOOD	
4	LEG SUPPORT	4-25mmx50mm THK SOLID WOOD	
5	SEAT SUPPORT	4-25mmx75mm THK SOLID WOOD	
	FINISH	SMOOTH FINISH; REFER TO PAINTING SCHEDULE	

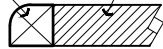
NOTE: ALL SOLID WOOD MUST BE TREATED (SUN-DRIED OR KILN-DRIED)
SPECIE: TANGUILE, GEMELINA OR RED LAUAN

PAINTING SCHEDULE	
SANDING	ALL SURFACE TO BE COATED SHALL BE SMOOTHLY SANDED
1st COAT	OIL WOOD STAIN - OAK FULL COLOR (4 COATS)
INTERMEDIATE COAT	LACQUER SANDING SEALER (2 COATS)
TOP COAT	CLEAR GLOSS LACQUER (2 COATS)



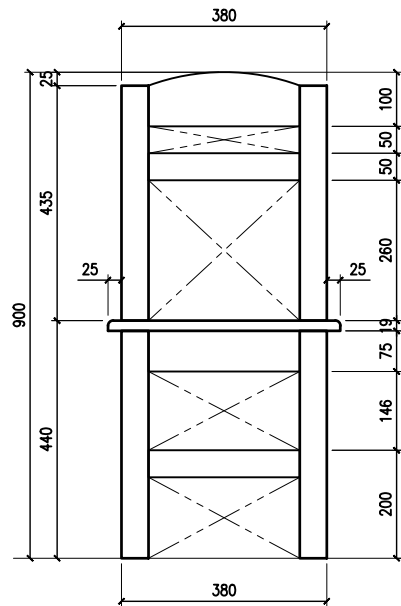
1 TOP VIEW
2 SCALE 1:25 M

18mmx20mm
SOLID WOOD
EDGING

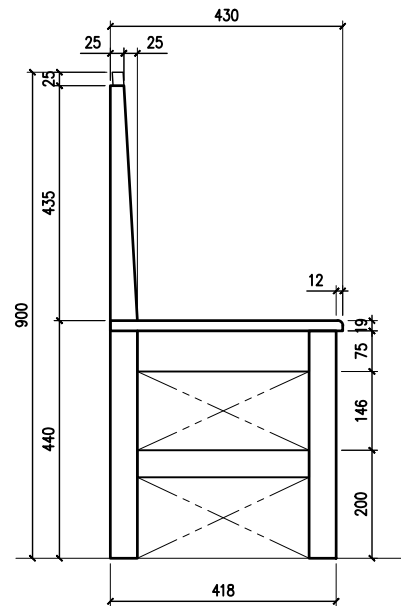


6 SPOT DETAIL- 1
2 SCALE 1:25 M

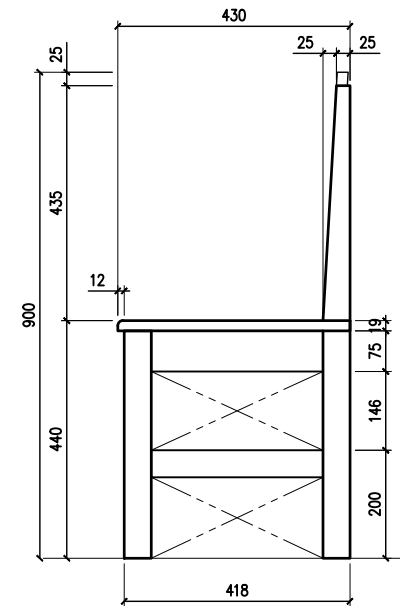
18mm THK
SOLID WOOD
OR 19mm THK
MARINE PLYWOOD



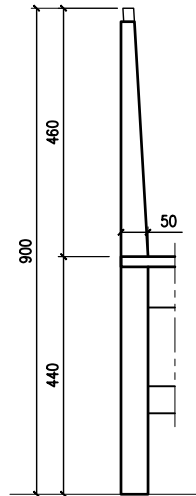
2 FRONT VIEW
2 SCALE 1:25 M



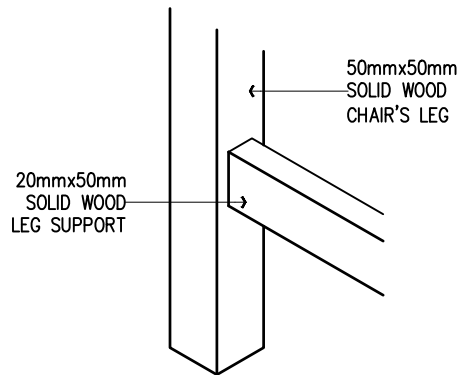
3 LEFT-SIDE VIEW
2 SCALE 1:25 M



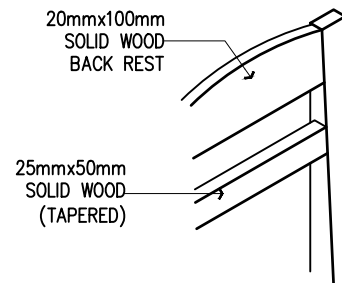
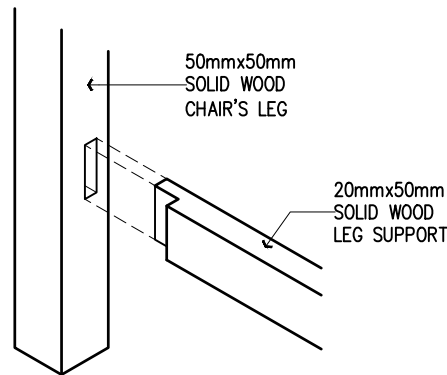
4 RIGHT-SIDE VIEW
2 SCALE 1:25 M



5 BACK LEG
DETAIL
2 SCALE 1:25 M



7 TYPICAL WOOD JOINT
SPOT DETAIL- 2
2 SCALE 1:25 M



8 WOOD JOINT- BACK REST
SPOT DETAIL- 3
2 SCALE 1:25 M

