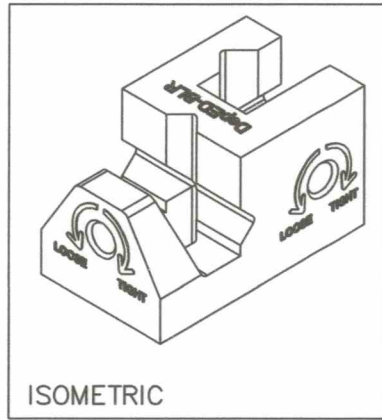
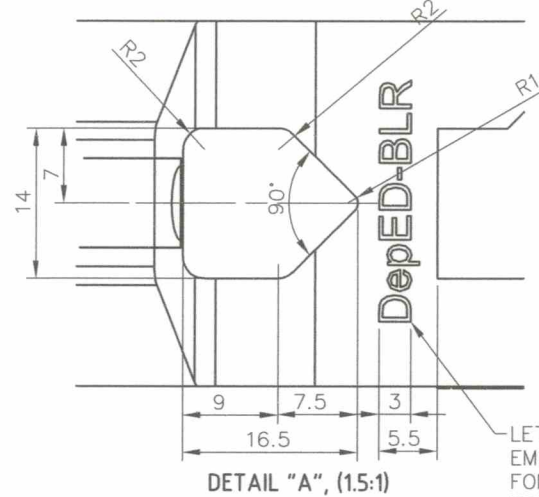
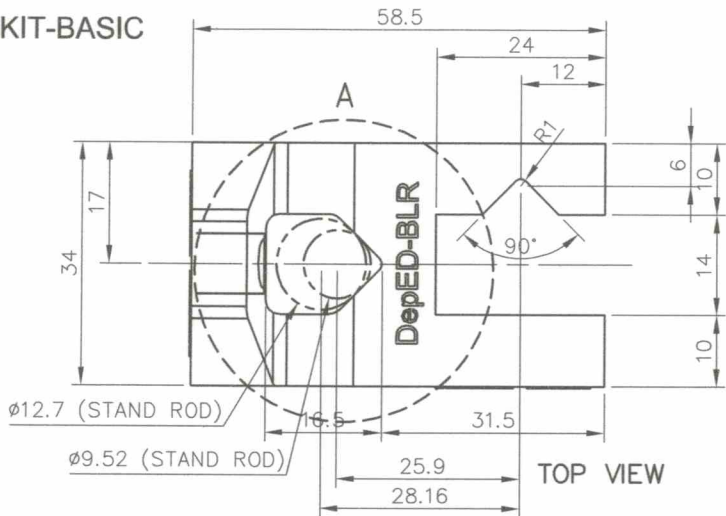
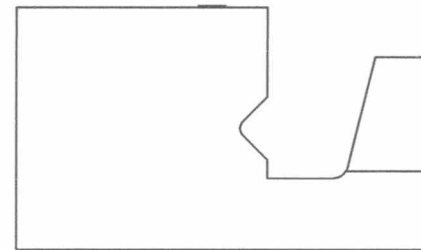
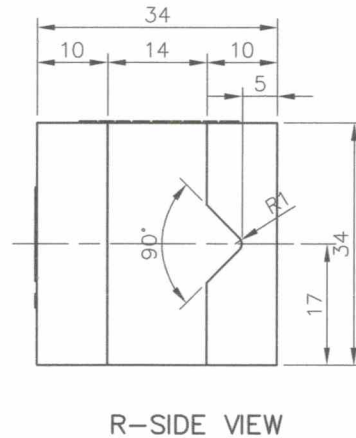
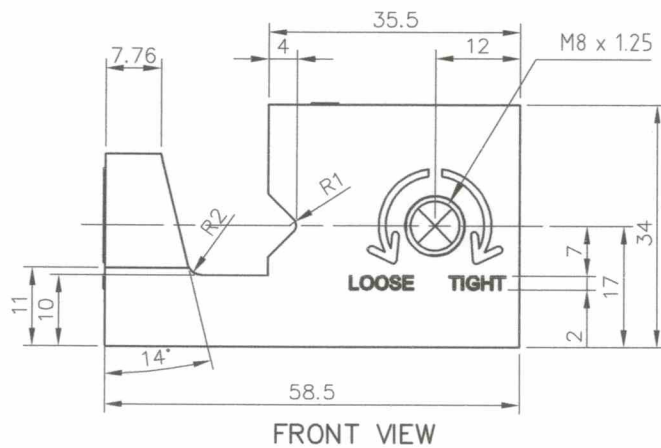


SCIKIT-BASIC



LETTER MARKINGS:
EMBOSS HEIGHT = 0.2MM
FONT TYPE = ARIAL
FONT HEIGHT = 3MM



NOTE:
Dimensions are in millimeters,
except otherwise specified.
Remove sharp edges.
Surface Roughness: $\nabla 1.00$ to $1.20 \mu\text{m}$ (inner)
 $\nabla 1.00$ to $1.20 \mu\text{m}$ (outer)

TOLERANCES FOR LENGTH GAUGING

Grade of Accuracy	Nominal Size	0.5 to 3	Over 3 to 6	Over 6 to 30	Over 30 to 120	Over 120 to 400
Medium		± 0.10	± 0.10	± 0.20	± 0.30	± 0.50

TOLERANCES FOR RADIUS & CHAMFERS

Grade of Accuracy	Nominal Size	0.5 to 3	Over 3 to 6	Over 6 to 30	Over 30 to 120
Smooth		± 0.20	± 0.50	± 1.00	± 2.00
Medium		± 0.20	± 0.50	± 1.00	± 2.00

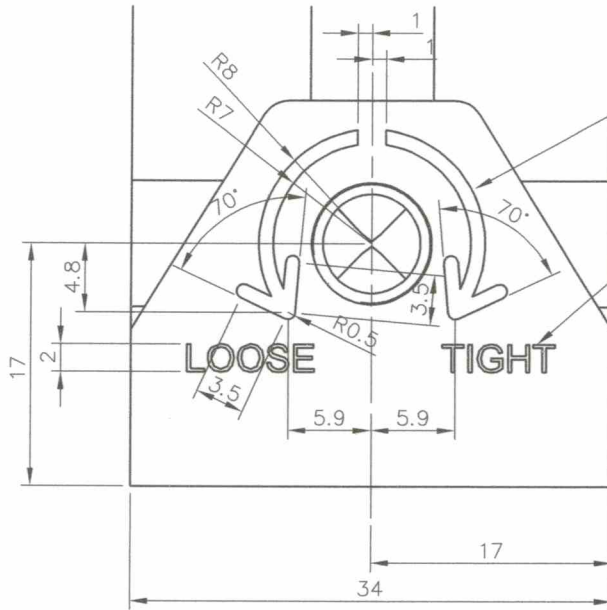
SYM	REVISION	DATE	BY

Date	SEPT 2021	Scale	NTS
Conceptualized by			
Drawn by	B.C. Lisondra		
Designed by	Q.C. Checked by		
Recommended by	J.N. Arida		
Approved by	A.B. Ybañez		
	R. C. La Rosa		

GOVERNMENT PROPERTY	
MULTICLAMP	
Item Name	MULTICLAMP : BODY
Material	Alum-Silicon-Copper Alloy AA 384 or its equivalent (ADC 12)
Sheet	1/3
File name	multclmp.dwg
DepED-BLR	

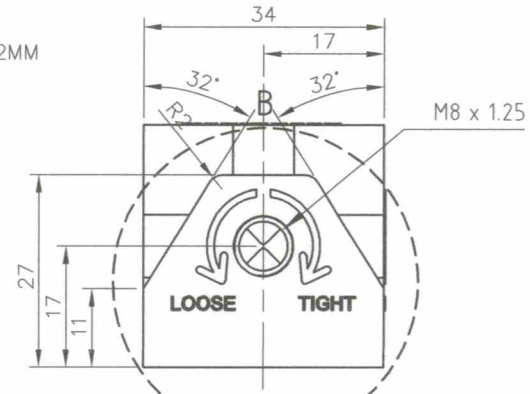


SCIKIT-BASIC



EMBOSSSED MARKINGS:
EMBOSS HIEGHT = 0.2MM

LETTER MARKINGS:
EMBOSS HIEGHT = 0.2MM
FONT TYPE = ARIAL
FONT HEIGHT = 2MM



L-SIDE VIEW

DETAIL "B", (2:1)
(TYPICAL MARKING DETAIL)

NOTE:
Dimensions are in millimeters.
except otherwise specified.
Remove sharp edges.
Surface Roughness: $\sqrt{1.00}$ to $1.20 \mu\text{m}$ (inner)
 $\sqrt{1.00}$ to $1.20 \mu\text{m}$ (outer)

GOVERNMENT PROPERTY

MULTICLAMP

TOLERANCES FOR LENGTH GAUGING						
Grade of Accuracy	Nominal Size	Over 0.5 to 3	Over 3 to 6	Over 6 to 30	Over 30 to 120	Over 120 to 400
Medium		± 0.10	± 0.10	± 0.20	± 0.30	± 0.50

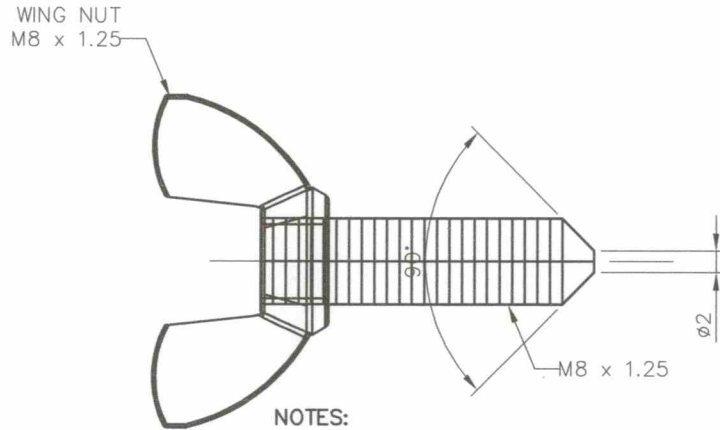
TOLERANCES FOR RADIUS & CHAMFERS					
Grade of Accuracy	Nominal Size	Over 0.5 to 3	Over 3 to 6	Over 6 to 30	Over 30 to 120
Smooth		± 0.20	± 0.50	± 1.00	± 2.00
Medium		± 0.20	± 0.50	± 1.00	± 2.00

SYM	REVISION	DATE	BY

Date	SEPT 2021	Scale	NTS
Conceptualized by			
Drawn by	B.C. Lisondra		
Designed by			
Q.C. Checked by	J.N. Aridja		
Recommended by	A.B. Ybañez		
Approved by	R. C. La Rosa		

Item Name	MULTICLAMP : BODY	Sheet	2/3
Material	Alum-Silicon-Copper Alloy AA 384 or its equivalent (ADC 12)	File name	multclmp.dwg


SCIKIT-BASIC



- NOTES:
1. THE WING NUT MUST BE CRIMPED TO THE BOLT.
 2. TORQUE REQUIREMENT:
IT SHOULD NOT FAIL AT 6 NEWTON-METER
CLOCKWISE AND COUNTER CLOCKWISE TORQUE.

GENERAL NOTES:
Dimensions are in millimeters.
except otherwise specified.
Remove sharp edges.

GOVERNMENT PROPERTY

Date	SEPT 2021	Scale	NTS
Conceptualized by			
Drawn by	B.C. Lisondra	Item Name	MULTICLAMP : SET SCREW
Designed by		Material	Stainless Steel, AISI 304/304L
Q.C. Checked by	J.N. Arjoja	Sheet	3/3
Recommended by	A.B. Ybañez	File name	multclmp.dwg
Approved by	R. C. La Rosa	 DepED-BLR	

TOLERANCES FOR LENGTH GAUGING						
Grade of Accuracy	Nominal Size	0.5 to 3	Over 3 to 6	Over 6 to 30	Over 30 to 120	Over 120 to 400
Medium		± 0.10	± 0.10	± 0.20	± 0.30	± 0.50
TOLERANCES FOR RADIUS & CHAMFERS						
Grade of Accuracy	Nominal Size	0.5 to 3	Over 3 to 6	Over 6 to 30	Over 30 to 120	
Smooth		± 0.20	± 0.50	± 1.00	± 2.00	
Medium						
	SYM	REVISION	DATE	BY		

