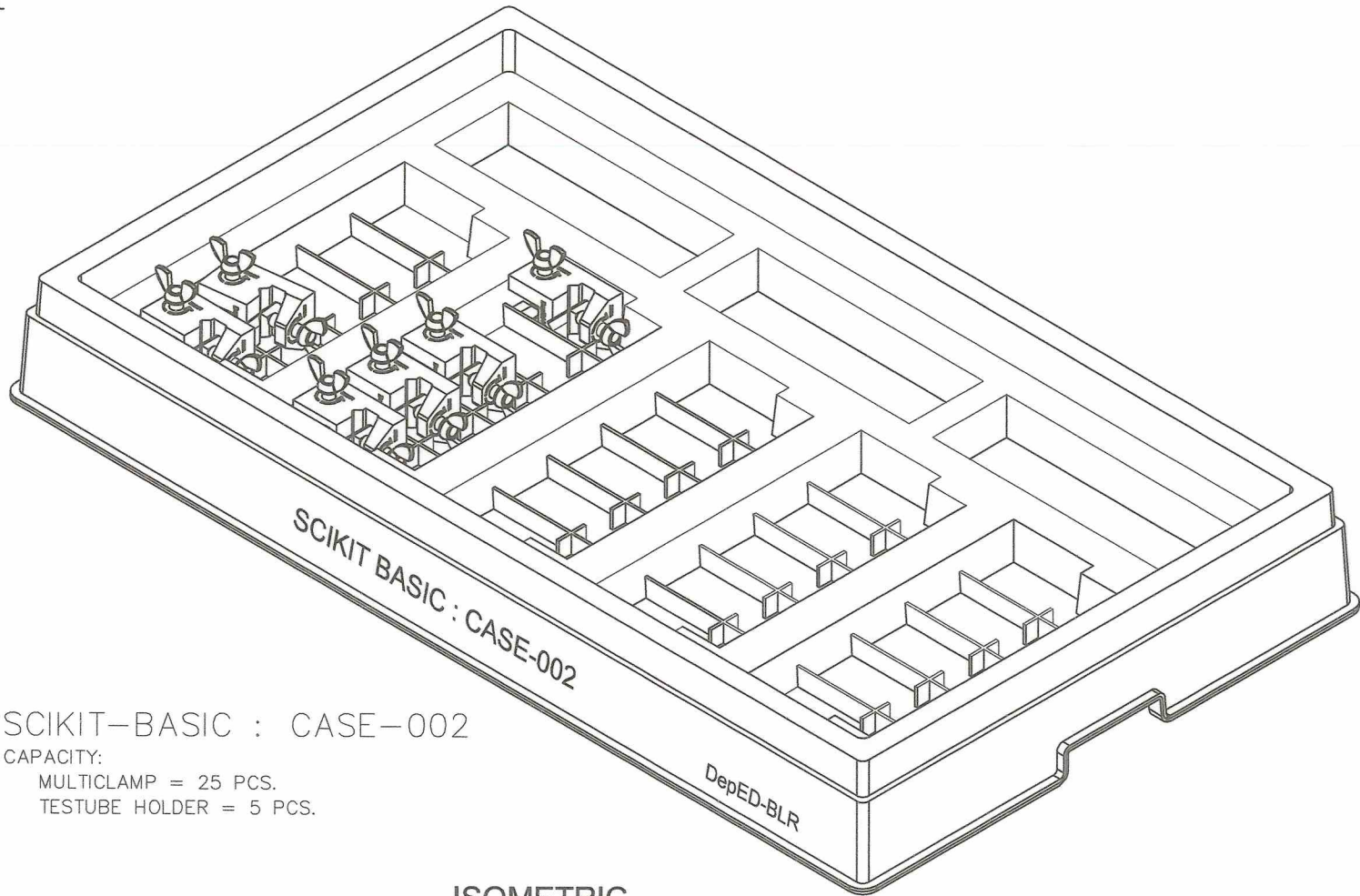


SCIKIT-BASIC



SCIKIT BASIC : CASE-002

DepED-BLR


SCIKIT-BASIC : CASE-002

CAPACITY:
 MULTICLAMP = 25 PCS.
 TESTUBE HOLDER = 5 PCS.

ISOMETRIC

GOVERNMENT PROPERTY

STORAGE CASE

Date	SEPT 2021	Scale	NTS
Conceptualized by			
Drawn by	B.C. Lisondra	Item Name	Sheet 1/8
Designed by		Material	File name basic case 002
Checked by	J.N. Arriaga	ABS THERMOPLASTIC - Color : Light Green	
Recommended by	A.B. Ybanez	 DepED-BLR	
Approved by	R. C. La Rosa		

TOLERANCES FOR LENGTH GAUGING						
Grade of Accuracy	Nominal Size	0.5 to 3	Over 3 to 6	Over 6 to 30	Over 30 to 120	Over 120 to 400
Medium		± 0.10	± 0.10	± 0.20	± 0.30	± 0.50

TOLERANCES FOR RADIUS & CHAMFERS					
Grade of Accuracy	Nominal Size	0.5 to 3	Over 3 to 6	Over 6 to 30	Over 30 to 120
Smooth		± 0.20	± 0.50	± 1.00	± 2.00
Medium					

SYM	REVISION	DATE	BY

SCIKIT-BASIC

1 2 3 4 5 6

A

A

B

B

C

C

PRINTED LABEL:
 PRINT : SCIKIT-BASIC : CASE 002
 FONT TYPE: AREAL (BOLD)
 FONT HEIGHT: 12MM
 PRINT COLOR: BLACK


SCIKIT-BASIC : CASE-002

DepED-BLR

PRINTED LABEL:
 PRINT : DepED-BLR
 FONT TYPE: AREAL (BOLD)
 FONT HEIGHT: 8MM
 PRINT COLOR: RED

ISOMETRIC

GOVERNMENT PROPERTY

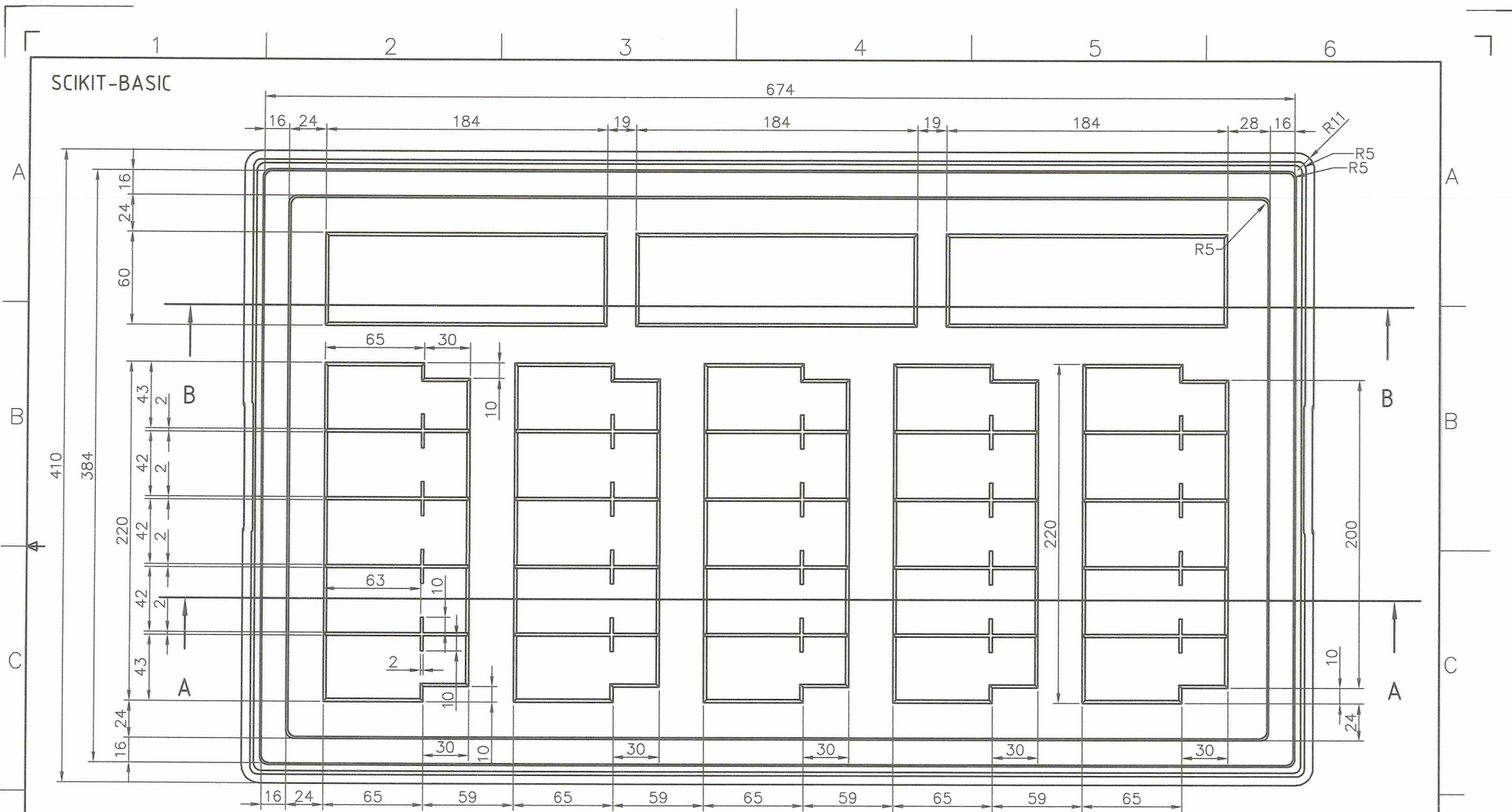
Date	SEPT 2021	Scale	NTS	STORAGE CASE	
Conceptualized by					
Drawn by	B.C. Lisondra			STORAGE CASE - 002	2/8
Designed by		Checked by	J.N. Arriola	Material	File name
Recommended by	A.B. Ybañez			ABS THERMOPLASTIC - Color : Light Green	basic case 002
Approved by	R. C. La Rosa			 DepED-BLR	

TOLERANCES FOR LENGTH GAUGING						SYM	REVISION	DATE	BY
Grade of Accuracy	Nominal Size	Over 0.5 to 3	Over 3 to 6	Over 6 to 30	Over 30 to 120				
Medium		± 0.10	± 0.10	± 0.20	± 0.30				
TOLERANCES FOR RADIUS & CHAMFERS						SYM	REVISION	DATE	BY
Grade of Accuracy	Nominal Size	Over 0.5 to 3	Over 3 to 6	Over 6 to 30	Over 30 to 120				
Smooth Medium		± 0.20	± 0.50	± 1.00	± 2.00				

1 2 3 4 5 6

D

D



GENERAL NOTES:
 Dimensions are in millimeters,
 except otherwise specified.
 Remove sharp edges.

NOTE:
 MAINTAIN A 0.5MM
 FILLET RADIUS ON ALL
 CORNERS, UNLESS
 OTHERWISE SPECIFIED.

Surface Roughness: ∇ 1.00 to 1.20 μ m

TOP VIEW


GOVERNMENT PROPERTY

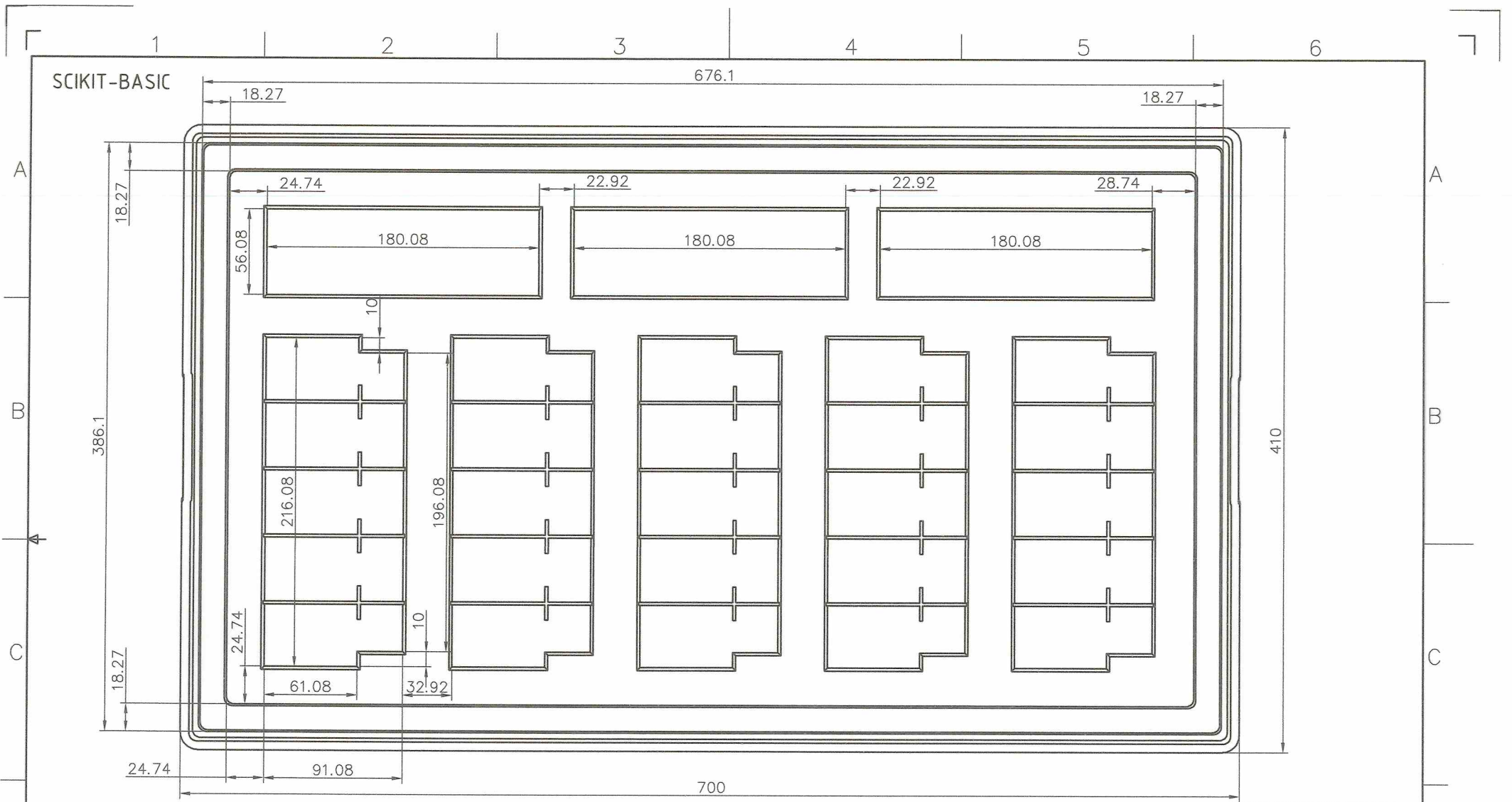
TOLERANCES FOR LENGTH GAUGING						
Grade of Accuracy	Nominal Size	Over 0.5 to 3	Over 3 to 6	Over 6 to 30	Over 30 to 120	Over 120 to 400
Medium		± 0.10	± 0.10	± 0.20	± 0.30	± 0.50

TOLERANCES FOR RADIUS & CHAMFERS					
Grade of Accuracy	Nominal Size	Over 0.5 to 3	Over 3 to 6	Over 6 to 30	Over 30 to 120
Smooth		± 0.20	± 0.50	± 1.00	± 2.00
Medium		± 0.20	± 0.50	± 1.00	± 2.00

SYM	REVISION	DATE	BY

Date	SEPT 2021	Scale	NTS
Conceptualized by			
Drawn by	B.C. Lisondra		
Designed by			
Checked by	J.N. Arriola		
Recommended by	A.B. Ybanez		
Approved by	R. C. La Rosa		

STORAGE CASE	
Item Name	STORAGE CASE - 002
Material	ABS THERMOPLASTIC - Color : Light Green
Sheet	3/8
File name	basic case 002
 DepED-BLR	



TOP VIEW

GOVERNMENT PROPERTY

Date	SEPT 2021	Scale	NTS
Conceptualized by			
Drawn by	B. C. Lisondra	Item Name	STORAGE CASE - 002
Designed by	J. N. Ariona	Material	ABS THERMOPLASTIC - Color : Light Green
Recommended by	A. B. Ybañez	Sheet	4/8
Approved by	R. C. La Rosa	File name	basic case 002

STORAGE CASE



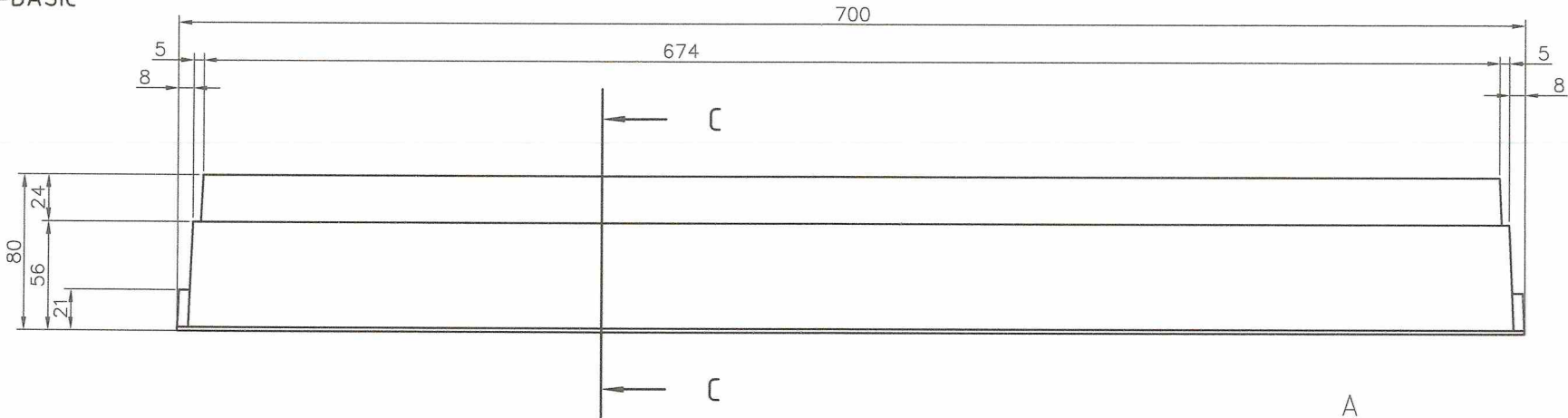
DepED-BLR

TOLERANCES FOR LENGTH GAUGING						
Grade of Accuracy	Nominal Size	0.5 to 3	Over 3 to 6	Over 6 to 30	Over 30 to 120	Over 120 to 400
Medium		± 0.10	± 0.10	± 0.20	± 0.30	± 0.50

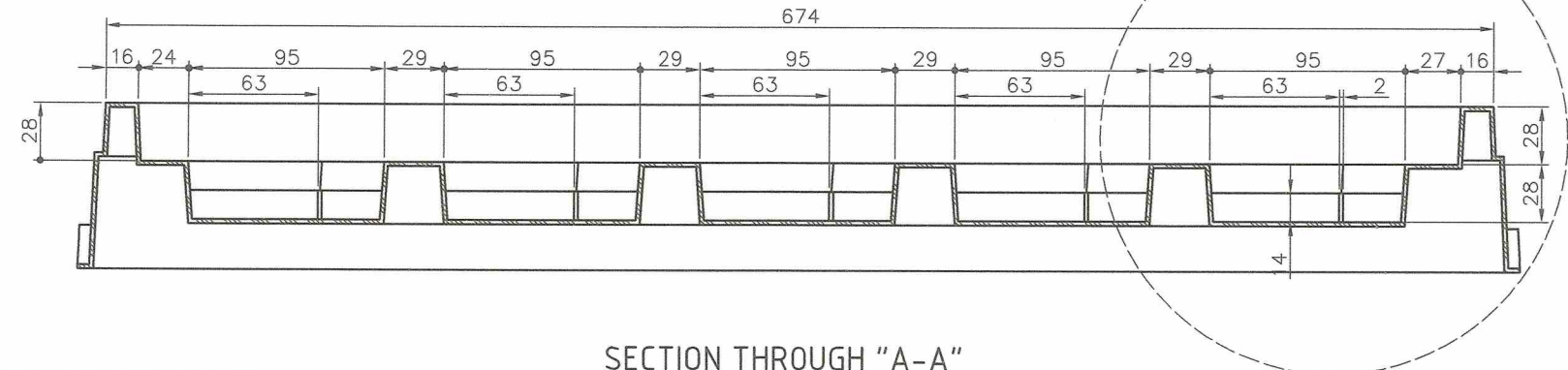
TOLERANCES FOR RADIUS & CHAMFERS					
Grade of Accuracy	Nominal Size	0.5 to 3	Over 3 to 6	Over 6 to 30	Over 30 to 120
Smooth		± 0.20	± 0.50	± 1.00	± 2.00
Medium		± 0.20	± 0.50	± 1.00	± 2.00

SYM	REVISION	DATE	BY

SCIKIT-BASIC



FRONT VIEW



SECTION THROUGH "A-A"

GENERAL NOTES:
 Dimensions are in millimeters.
 except otherwise specified.
 Remove sharp edges.
 Surface Roughness: ∇ 1.00 to 1.20 μ m

NOTE:
 MAINTAIN A 0.5MM FILLET RADIUS
 ON ALL CORNERS, UNLESS
 OTHERWISE SPECIFIED.

GOVERNMENT PROPERTY


STORAGE CASE

TOLERANCES FOR LENGTH GAUGING						
Grade of Accuracy	Nominal Size	0.5 to 3	Over 3 to 6	Over 6 to 30	Over 30 to 120	Over 120 to 400
Medium		± 0.10	± 0.10	± 0.20	± 0.30	± 0.50

TOLERANCES FOR RADIUS & CHAMFERS					
Grade of Accuracy	Nominal Size	0.5 to 3	Over 3 to 6	Over 6 to 30	Over 30 to 120
Smooth		± 0.20	± 0.50	± 1.00	± 2.00
Medium		± 0.20	± 0.50	± 1.00	± 2.00

SYM	REVISION	DATE	BY

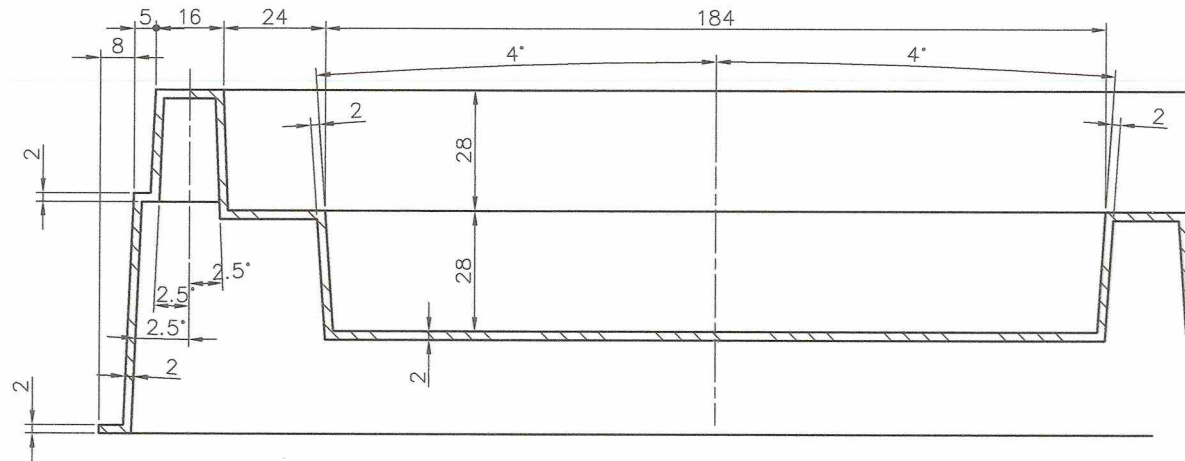
Date	SEPT 2021	Scale	NTS
Conceptualized by			
Drawn by	B.C. Lisondra		
Designed by	O.C. Checked by		
Recommended by	A.B. Ybanez		
Approved by	R. C. La Rosa		

Item Name	STORAGE CASE - 002	Sheet	5/8
Material	ABS THERMOPLASTIC - Color : Light Green	File name	basic case 002
 DepED-BLR			

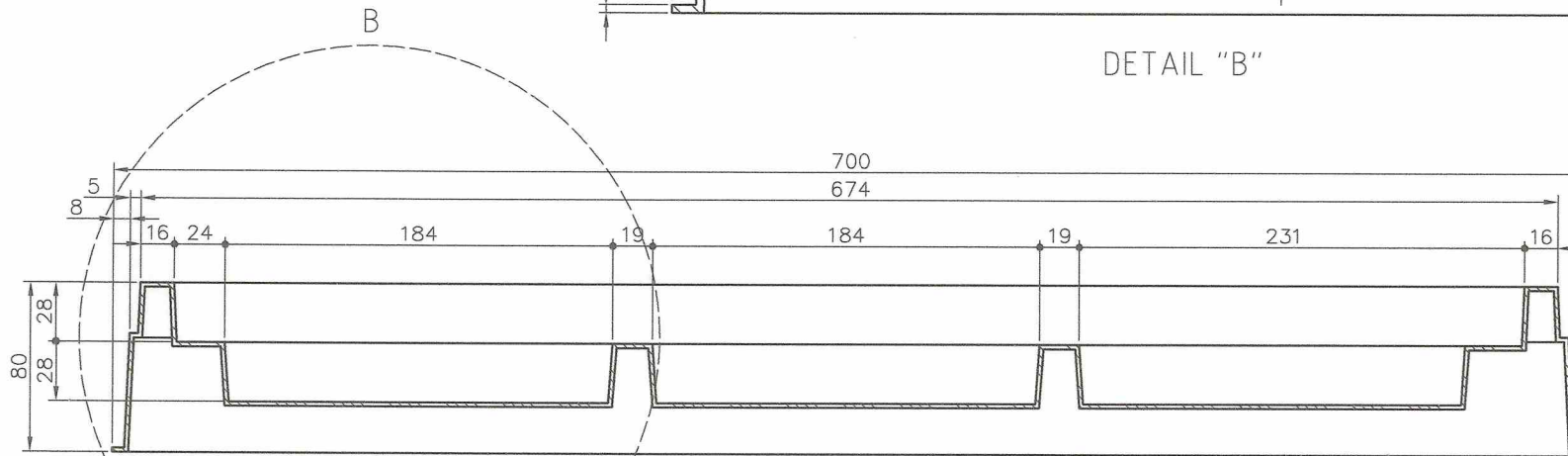
SCIKIT-BASIC

GENERAL NOTES:
 Dimensions are in millimeters.
 except otherwise specified.
 Remove sharp edges.
 Surface Roughness: ∇ 1.00 to 1.20 μm

NOTE:
 MAINTAIN A 0.5MM FILLET RADIUS
 ON ALL CORNERS, UNLESS
 OTHERWISE SPECIFIED.



DETAIL "B"



SECTION THROUGH "B-B"

GOVERNMENT PROPERTY

STORAGE CASE

Date	SEPT 2021	Scale	NTS
Conceptualized by			
Drawn by	B.C. Lisondra	Item Name	STORAGE CASE - 002
Designed by	J.N. Arriaga	Material	ABS THERMOPLASTIC - Color : Light Green
Recommended by	A.B. Ybanez	Sheet	6/8
Approved by	R. C. La Rosa	File name	basic case 002



DepED-BLR

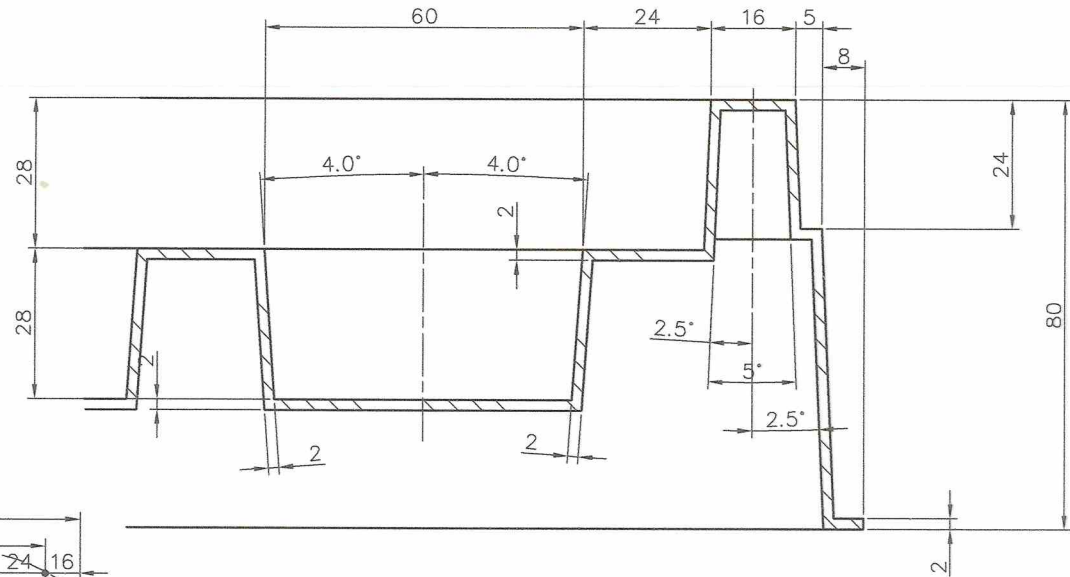
TOLERANCES FOR LENGTH GAUGING						
Grade of Accuracy	Nominal Size	Over 0.5 to 3	Over 3 to 6	Over 6 to 30	Over 30 to 120	Over 120 to 400
Medium		± 0.10	± 0.10	± 0.20	± 0.30	± 0.50

TOLERANCES FOR RADIUS & CHAMFERS					
Grade of Accuracy	Nominal Size	Over 0.5 to 3	Over 3 to 6	Over 6 to 30	Over 30 to 120
Smooth		± 0.20	± 0.50	± 1.00	± 2.00
Medium					

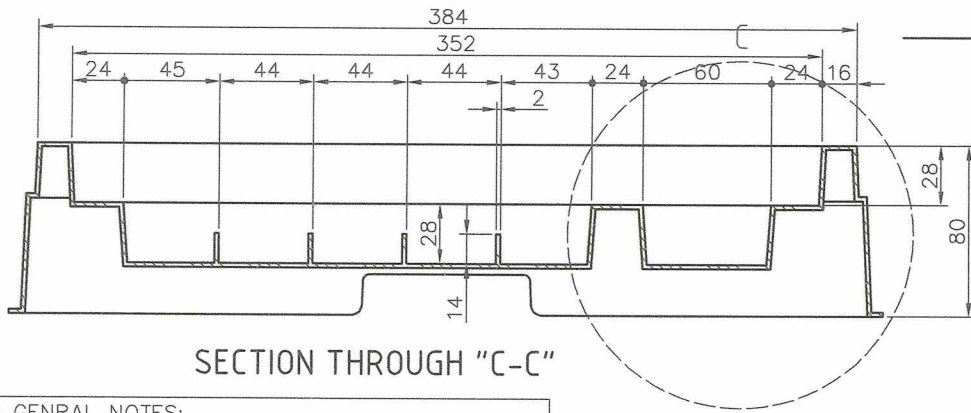
SYM	REVISION	DATE	BY

SCIKIT-BASIC

NOTE:
 MAINTAIN A 0.5MM FILLET RADIUS
 ON ALL CORNERS, UNLESS
 OTHERWISE SPECIFIED.



DETAIL "C"




SECTION THROUGH "C-C"

GENERAL NOTES:
 Dimensions are in millimeters,
 except otherwise specified.
 Remove sharp edges.
 Surface Roughness: ∇ 1.00 to 1.20 μ m

GOVERNMENT PROPERTY

STORAGE CASE

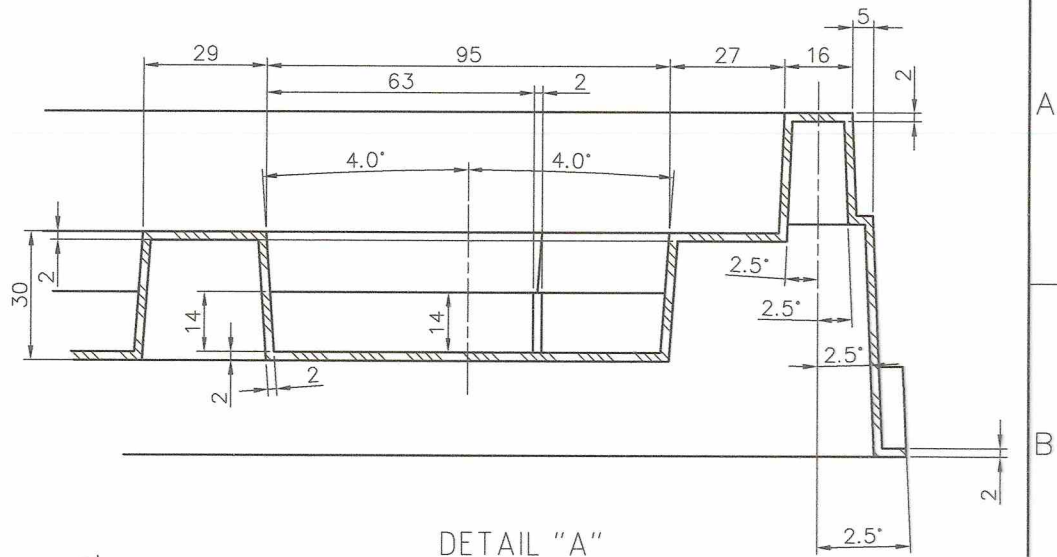
Date	SEPT 2021	Scale	NTS	STORAGE CASE	
Conceptualized by				Item Name	STORAGE CASE - 002
Drawn by	B. C. Lisondra	Checked by	J. N. Arjo	Material	ABS THERMOPLASTIC - Color : Light Green
Designed by				Sheet	7/8
Recommended by	A. B. Ybanez	Approved by	R. C. La Rosa	File name	basic case 002
				 DepED-BLR	

TOLERANCES FOR LENGTH GAUGING						
Grade of Accuracy	Nominal Size	0.5 to 3	Over 3 to 6	Over 6 to 30	Over 30 to 120	Over 120 to 400
Medium		± 0.10	± 0.10	± 0.20	± 0.30	± 0.50
TOLERANCES FOR RADIUS & CHAMFERS						
Grade of Accuracy	Nominal Size	0.5 to 3	Over 3 to 6	Over 6 to 30	Over 30 to 120	
Smooth		± 0.20	± 0.50	± 1.00	± 2.00	
Medium		± 0.20	± 0.50	± 1.00	± 2.00	
SYM	REVISION	DATE	BY			

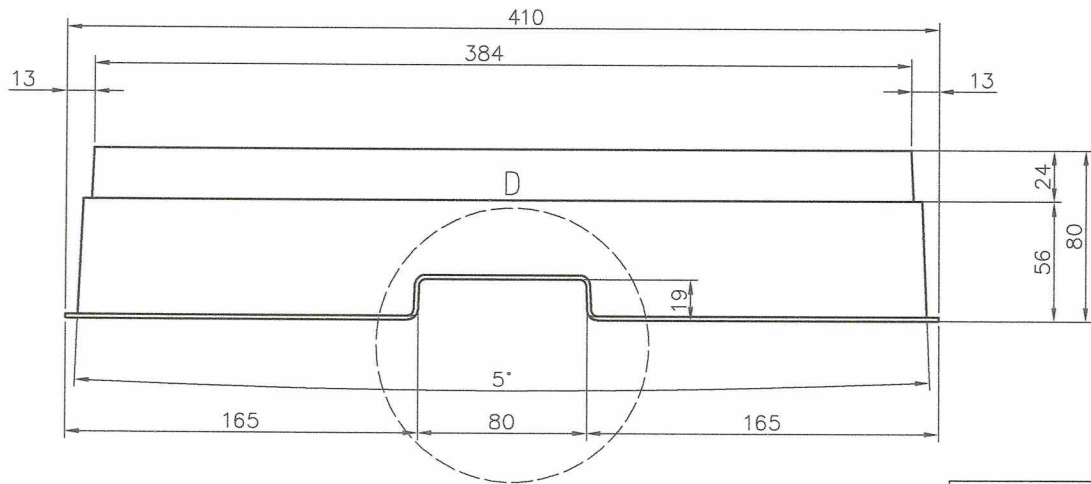
SCIKIT-BASIC

GENERAL NOTES:
 Dimensions are in millimeters,
 except otherwise specified.
 Remove sharp edges.
 Surface Roughness: ∇ 1.00 to 1.20 μm

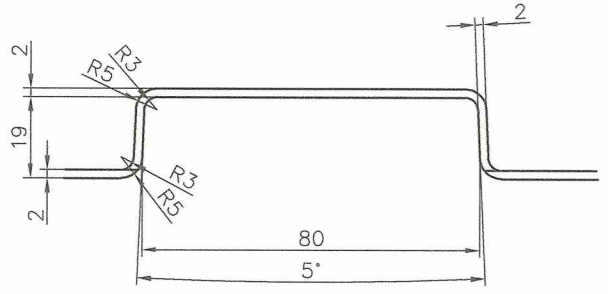
NOTE:
 MAINTAIN A 0.5MM FILLET RADIUS
 ON ALL CORNERS, UNLESS
 OTHERWISE SPECIFIED.



DETAIL "A"




SIDE VIEW



DETAIL "D"

GOVERNMENT PROPERTY

Date	SEPT 2021	Scale	NTS	STORAGE CASE	
Conceptualized by					
Drawn by	B.C. Lisondra			STORAGE CASE - 002	8/8
Designed by	Checked by			Material	File name
	J.N. Arriola			ABS THERMOPLASTIC - Color : Light Green	basic case 002
Recommended by	A.B. Ybanez			 DepED-BLR	
Approved by	R. C. La Rosa				

TOLERANCES FOR LENGTH GAUGING						
Grade of Accuracy	Nominal Size	0.5 to 3	Over 3 to 6	Over 6 to 30	Over 30 to 120	Over 120 to 400
Medium		± 0.10	± 0.10	± 0.20	± 0.30	± 0.50

TOLERANCES FOR RADIUS & CHAMFERS					
Grade of Accuracy	Nominal Size	0.5 to 3	Over 3 to 6	Over 6 to 30	Over 30 to 120
Smooth		± 0.20	± 0.50	± 1.00	± 2.00
Medium		± 0.20	± 0.50	± 1.00	± 2.00

SYM	REVISION	DATE	BY