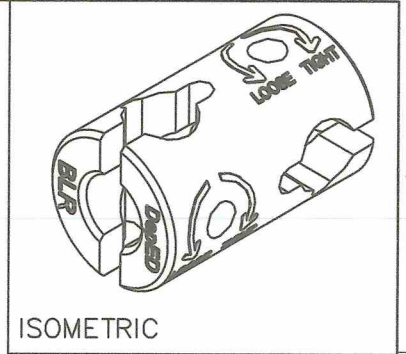
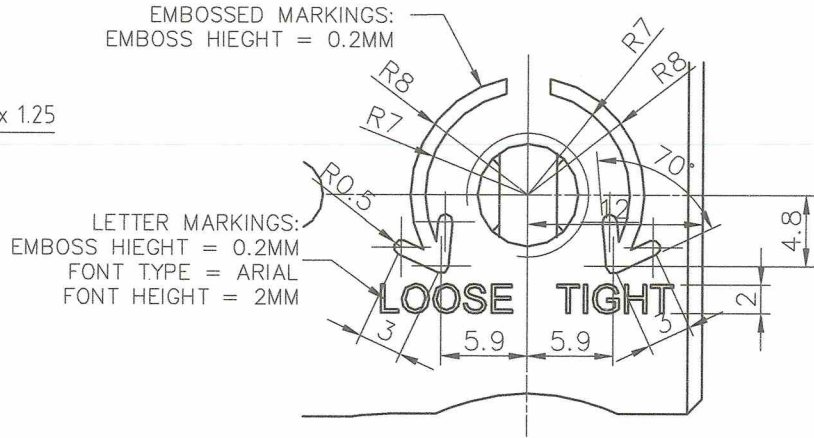
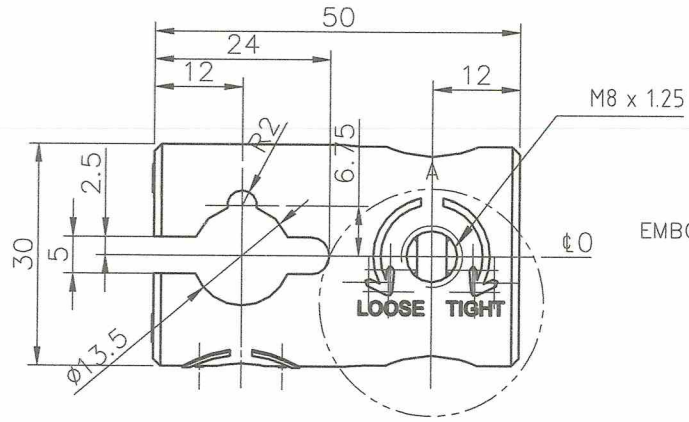
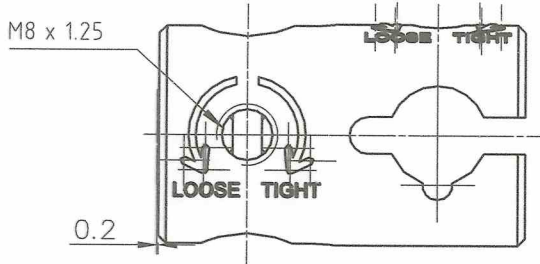


SCIKIT-BASIC

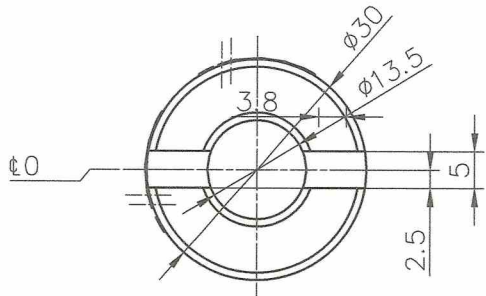


DETAIL "A" (2:1)

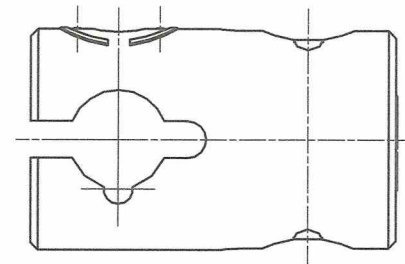
TOP VIEW



FRONT VIEW




R-SIDE VIEW



REAR VIEW

NOTE:
 Dimensions are in millimeters.
 except otherwise specified.
 Remove sharp edges.
 Surface Roughness: $\nabla 1.00$ to $1.20 \mu\text{m}$ (inner)
 $\nabla 1.00$ to $1.20 \mu\text{m}$ (outer)

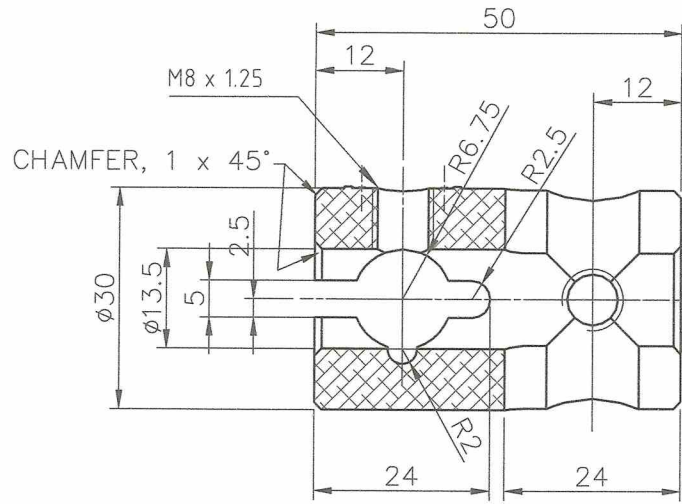
GOVERNMENT PROPERTY

Date	SEPT 2021	Scale	NTS	UNIVERSAL BOSSHEAD	
Conceptualized by					
Drawn by	B.C. Lisondra	Q.C. Checked by	J.N. Arida	BOSSEHEAD : BODY	1/3
Designed by				Material	File name
Recommended by	A.B. Ybanez	ALUM-SILICON-COPPER ALLOY AA 384 or its equivalent (ADC 12)			unibosshd.dwg
Approved by	R. C. La Rosa				<p>DepED-BLR</p>

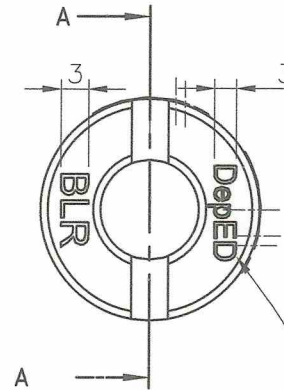
TOLERANCES FOR LENGTH GAUGING						
Grade of Accuracy	Nominal Size	0.5 to 3	Over 3 to 6	Over 6 to 30	Over 30 to 120	Over 120 to 400
Medium		± 0.10	± 0.10	± 0.20	± 0.30	± 0.50
TOLERANCES FOR RADIUS & CHAMFERS						
Grade of Accuracy	Nominal Size	0.5 to 3	Over 3 to 6	Over 6 to 30	Over 30 to 120	
Smooth		± 0.20	± 0.50	± 1.00	± 2.00	
Medium						

SYM	REVISION	DATE	BY

SCIKIT-BASIC



SECTION THROUGH "A-A"



L-SIDE VIEW

LETTER MARKINGS:
 DepED / BLR
 EMBOSS HIEGHT = 0.2MM
 FONT TYPE = ARIAL
 FONT HEIGHT = 3MM

NOTE:
 Dimensions are in millimeters.
 except otherwise specified.
 Remove sharp edges.
 Surface Roughness: $\nabla \nabla 1.00$ to $1.20 \mu\text{m}$ (inner)
 $\nabla \nabla 1.00$ to $1.20 \mu\text{m}$ (outer)

TOLERANCES FOR LENGTH GAUGING


Grade of Accuracy	Nominal Size	0.5 to 3	Over 3 to 6	Over 6 to 30	Over 30 to 120	Over 120 to 400
Medium		± 0.10	± 0.10	± 0.20	± 0.30	± 0.50

TOLERANCES FOR RADIUS & CHAMFERS

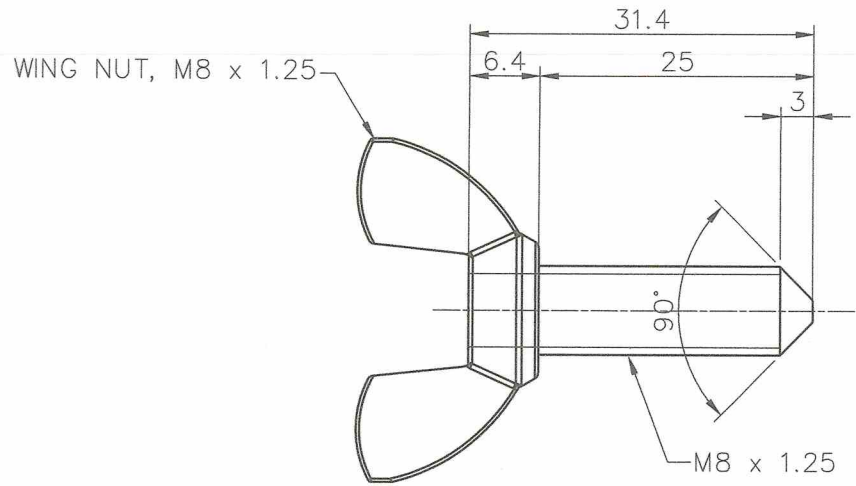
Grade of Accuracy	Nominal Size	0.5 to 3	Over 3 to 6	Over 6 to 30	Over 30 to 120
Smooth		± 0.20	± 0.50	± 1.00	± 2.00
Medium		± 0.20	± 0.50	± 1.00	± 2.00

SYM	REVISION	DATE	BY

GOVERNMENT PROPERTY

Date	SEPT 2021	Scale	NTS	UNIVERSAL BOSSHEAD	
Conceptualized by					
Drawn by	B.C. Lisondra	Item Name	BOSSHEAD : BODY	Sheet	2/3
Designed by		Material	ALUM-SILICON-COPPER ALLOY AA 384 or its equivalent (ADC 12)	File name	unibosshd.dwg
Checked by	J.N. Arjoja	 DepED-BLR			
Recommended by	A.B. Ybanez				
Approved by	R. C. La Rosa				

SCIKIT-BASIC




NOTES:

1. THE WING NUT MUST BE CRIMPED TO THE BOLT.
2. TORQUE REQUIREMENT:
IT SHOULD NOT FAIL AT 6 NEWTON-METER
CLOCKWISE AND COUNTER CLOCKWISE TORQUE.
 ± 0.02

GENERAL NOTES:

Dimensions are in millimeters.
except otherwise specified.
Remove sharp edges.

GOVERNMENT PROPERTY

Date	SEPT 2021	Scale	NTS	UNIVERSAL BOSSHEAD
Conceptualized by				
Drawn by	B.C. Lisondra	Item Name	BOSSHEAD : SET SCREW	Sheet
Designed by		Material	STAINLESS STEEL, AISI 304/304L	3/3
Checked by	J.N. Arjoja	File name	unibosshd.dwg	
Recommended by	A.B. Ybañez	 DepED-BlR		
Approved by	R. C. La Rosa			

TOLERANCES FOR LENGTH GAUGING						
Grade of Accuracy	Nominal Size	0.5 to 3	Over 3 to 6	Over 6 to 30	Over 30 to 120	Over 120 to 400
Medium		± 0.10	± 0.10	± 0.20	± 0.30	± 0.50

TOLERANCES FOR RADIUS & CHAMFERS					
Grade of Accuracy	Nominal Size	0.5 to 3	Over 3 to 6	Over 6 to 30	Over 30 to 120
Smooth		± 0.20	± 0.50	± 1.00	± 2.00
Medium					

SYM	REVISION	DATE	BY