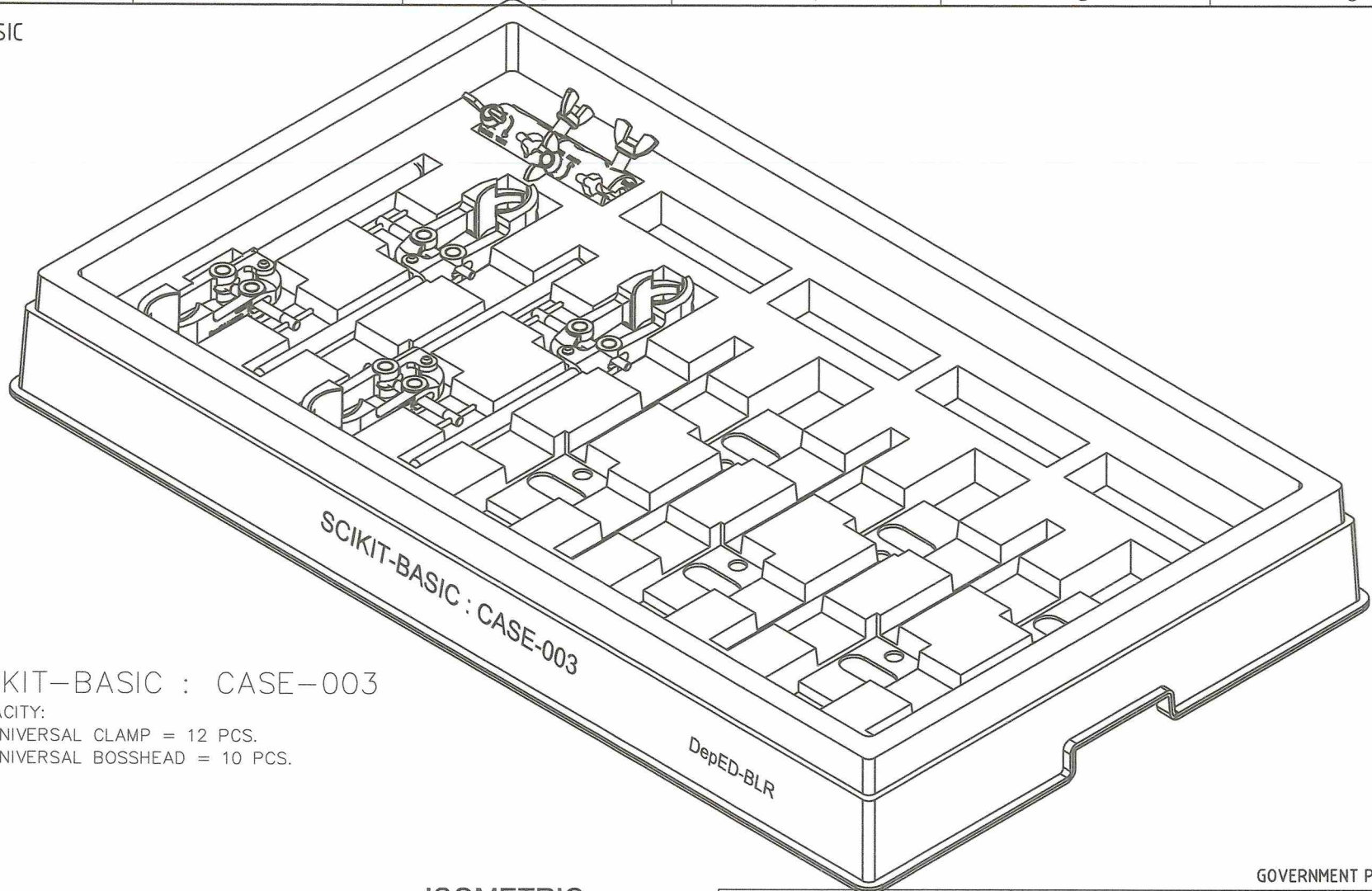


SCIKIT-BASIC



SCIKIT-BASIC : CASE-003

DepED-BLR

SCIKIT-BASIC : CASE-003


CAPACITY:
 UNIVERSAL CLAMP = 12 PCS.
 UNIVERSAL BOSSHEAD = 10 PCS.

ISOMETRIC

GOVERNMENT PROPERTY

STORAGE CASE

Date	SEPT 2021	Scale	NTS
Conceptualized by			
Drawn by	B. C. Lisondra		
Designed by	D.C. Checked by		
	J.N. Arriola		
Recommended by	A.B. Ybanez		
Approved by	R. C. La Rosa		

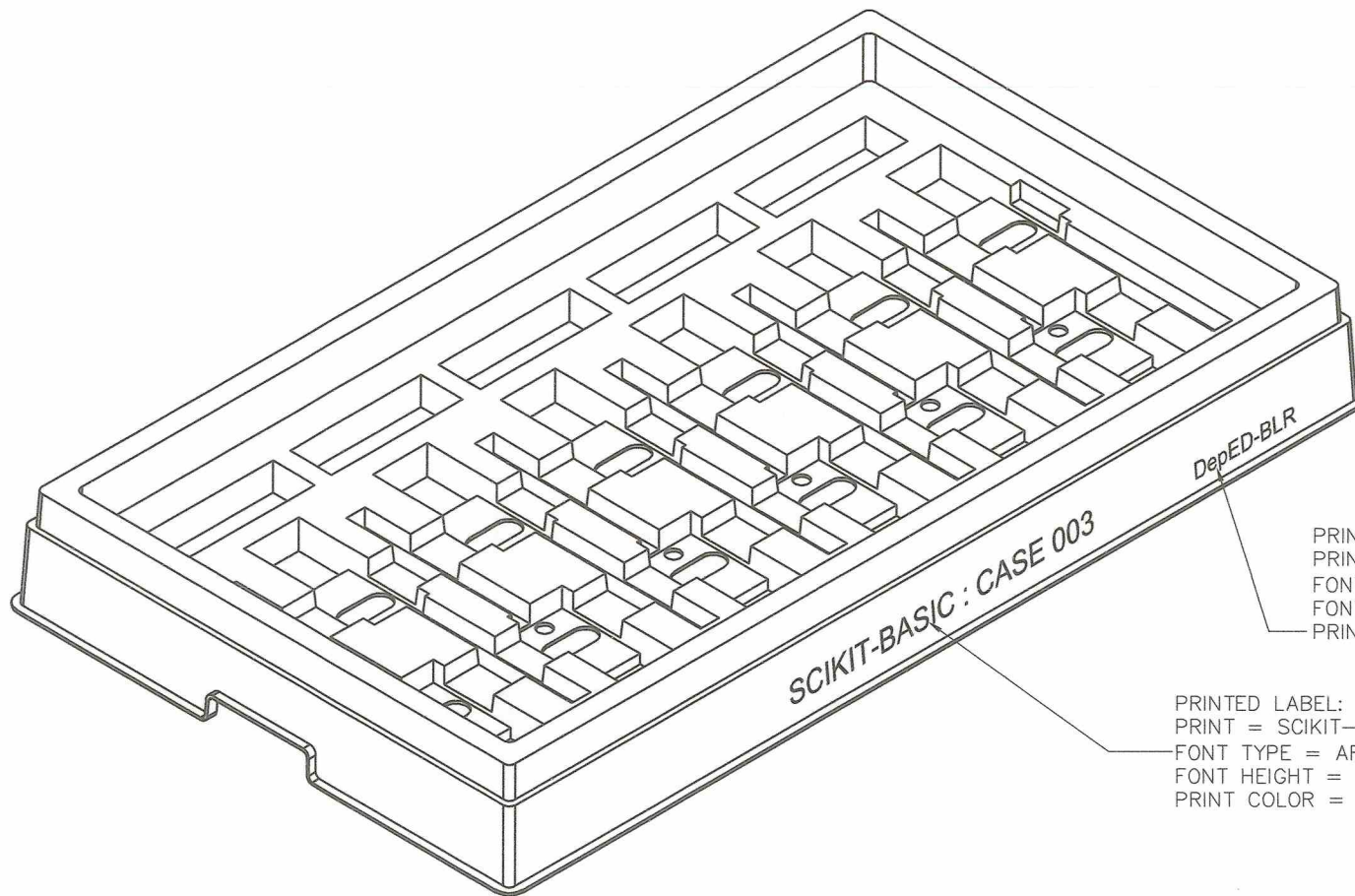
Item Name	STORAGE CASE 003 SET UP	Sheet	1/9
Material	ABS THERMOPLASTIC, Color : Light Green	File name	basic case 003
		<p>DepED-BLR</p>	

TOLERANCES FOR LENGTH GAUGING						
Grade of Accuracy	Nominal Size	Over 0.5 to 3	Over 3 to 6	Over 6 to 30	Over 30 to 120	Over 120 to 400
Medium		± 0.10	± 0.10	± 0.20	± 0.30	± 0.50

TOLERANCES FOR RADIUS & CHAMFERS					
Grade of Accuracy	Nominal Size	Over 0.5 to 3	Over 3 to 6	Over 6 to 30	Over 30 to 120
Smooth		± 0.20	± 0.50	± 1.00	± 2.00
Medium					

SYM	REVISION	DATE	BY

SCIKIT-BASIC



ISOMETRIC

PRINTED LABEL:
 PRINT : DepED-BLR
 FONT TYPE: AREAL (BOLD)
 FONT HEIGHT: 8MM
 PRINT COLOR: RED

PRINTED LABEL:
 PRINT = SCIKIT-BASIC : CASE 003
 FONT TYPE = ARIAL (BOLD)
 FONT HEIGHT = 12MM
 PRINT COLOR = BLACK

GOVERNMENT PROPERTY

STORAGE CASE

Date	SEPT 2021	Scale	NTS
Conceptualized by			
Drawn by	B.C. Lisondra		
Designed by	Q.C. Checked by J.N. [Signature]		
Recommended by	A.B. Ybañez		
Approved by	R. C. La Rana		

Item Name	STORAGE CASE 003	Sheet	2/9
Material	ABS THERMOPLASTIC, Color : Light Green	File name	basic case 003
		<p>DepED-BLR</p>	

TOLERANCES FOR LENGTH GAUGING						SYM	REVISION	DATE	BY
Grade of Accuracy	Nominal Size	0.5 to 3	Over 3 to 6	Over 6 to 30	Over 30 to 120				
Medium		± 0.10	± 0.10	± 0.20	± 0.30	± 0.50			
TOLERANCES FOR RADIUS & CHAMFERS						SYM	REVISION	DATE	BY
Grade of Accuracy	Nominal Size	0.5 to 3	Over 3 to 6	Over 6 to 30	Over 30 to 120				
Smooth Medium		± 0.20	± 0.50	± 1.00	± 2.00				

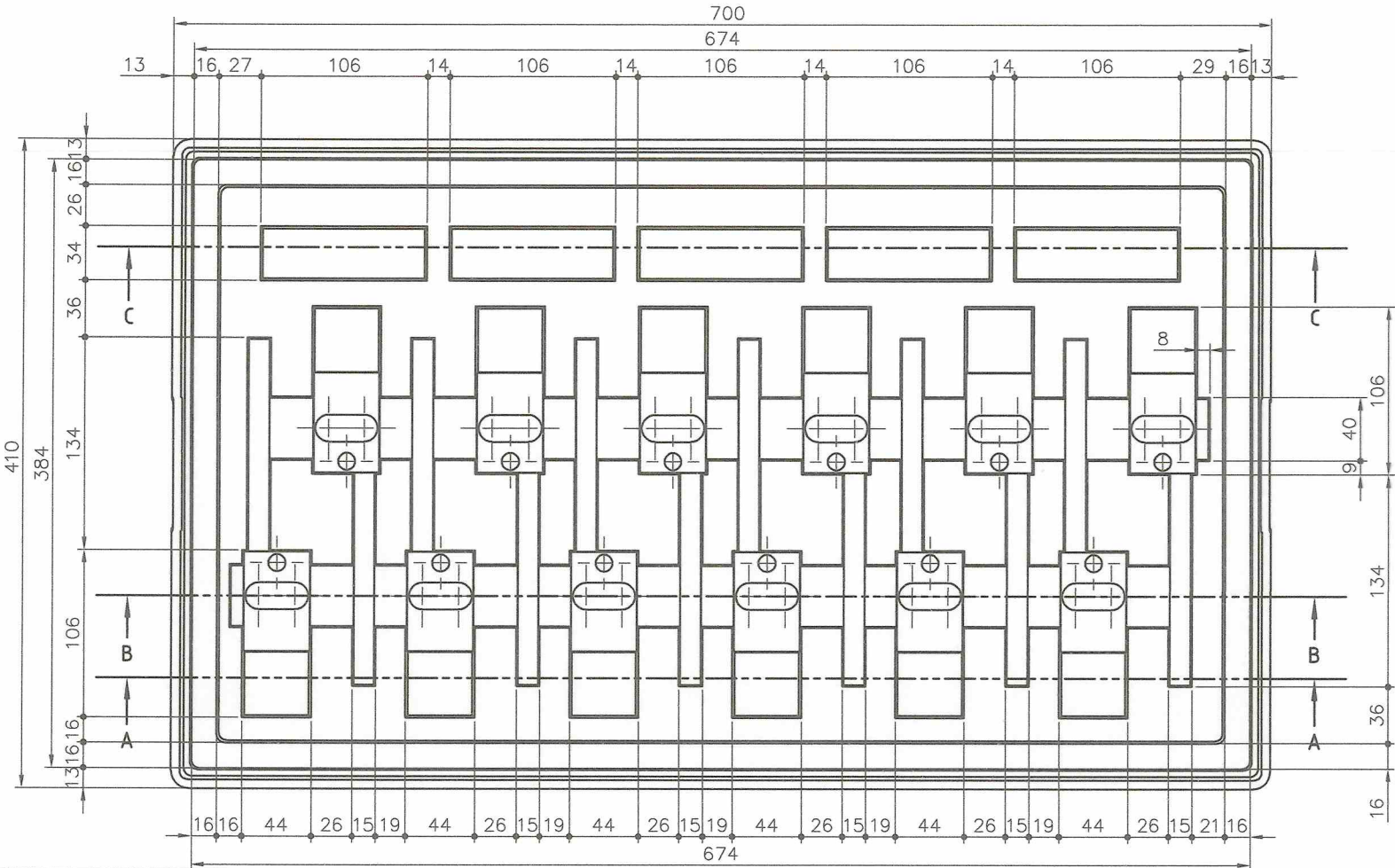
1 2 3 4 5 6

A
B
C
D

A
B
C
D

1 2 3 4 5 6

SCIKIT-BASIC



NOTES: A. USE A 2.5° DRAFT ANGLE.
 B. MAINTAIN A 0.5MM FILLET RADIUS ON ALL CORNERS, UNLESS OTHERWISE SPECIFIED.

TOP VIEW

GENERAL NOTES:
 Dimensions are in millimeters, except otherwise specified.
 Remove sharp edges.

Surface Roughness: $\sqrt{\nabla}$ 1.00 to 1.20 μm

GOVERNMENT PROPERTY

STORAGE CASE

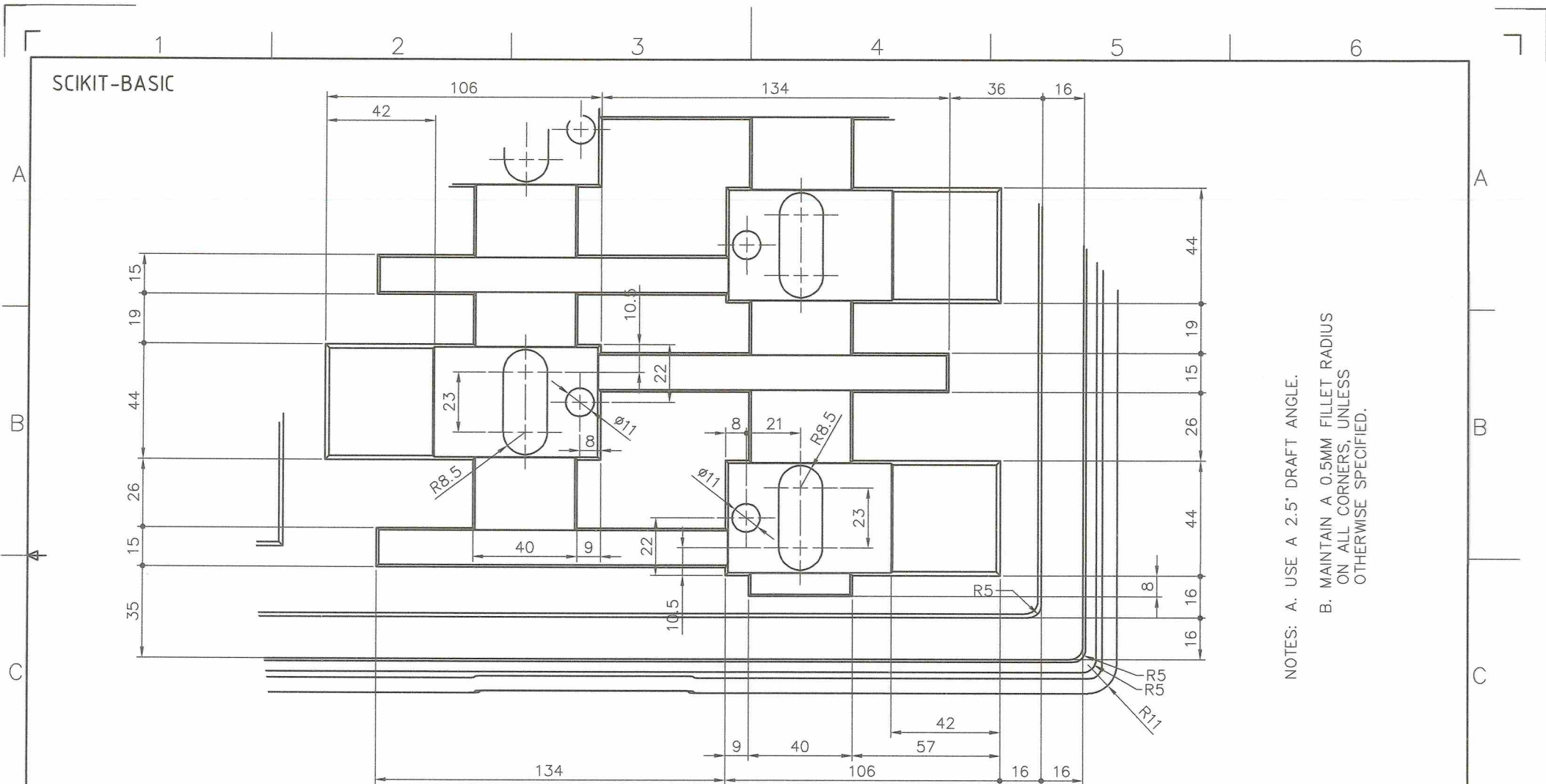
Date	SEPT 2021	Scale	NTS
Conceptualized by			
Drawn by	B.C. Lisondra		
Designed by	D.C. Checked by		
Recommended by	A.B. Ybañez		
Approved by	R. C. La Rosa		

Item Name	STORAGE CASE 003	Sheet	3/9
Material	ABS THERMOPLASTIC, Color : Light Green	File name	basic case 003
		<p>DepED-BLR</p>	

TOLERANCES FOR LENGTH GAUGING						
Grade of Accuracy	Nominal Size	0.5 to 3	Over 3 to 6	Over 6 to 30	Over 30 to 120	Over 120 to 400
Medium		± 0.10	± 0.10	± 0.20	± 0.30	± 0.50

TOLERANCES FOR RADIUS & CHAMFERS					
Grade of Accuracy	Nominal Size	0.5 to 3	Over 3 to 6	Over 6 to 30	Over 30 to 120
Smooth		± 0.20	± 0.50	± 1.00	± 2.00
Medium		± 0.20	± 0.50	± 1.00	± 2.00

SYM	REVISION	DATE	BY



NOTES: A. USE A 2.5° DRAFT ANGLE.
 B. MAINTAIN A 0.5MM FILLET RADIUS ON ALL CORNERS, UNLESS OTHERWISE SPECIFIED.

GENERAL NOTES:
 Dimensions are in millimeters.
 except otherwise specified.
 Remove sharp edges.
 Surface Roughness: ∇ 1.00 to 1.20 μ m

SPOT DETAIL

GOVERNMENT PROPERTY


STORAGE CASE

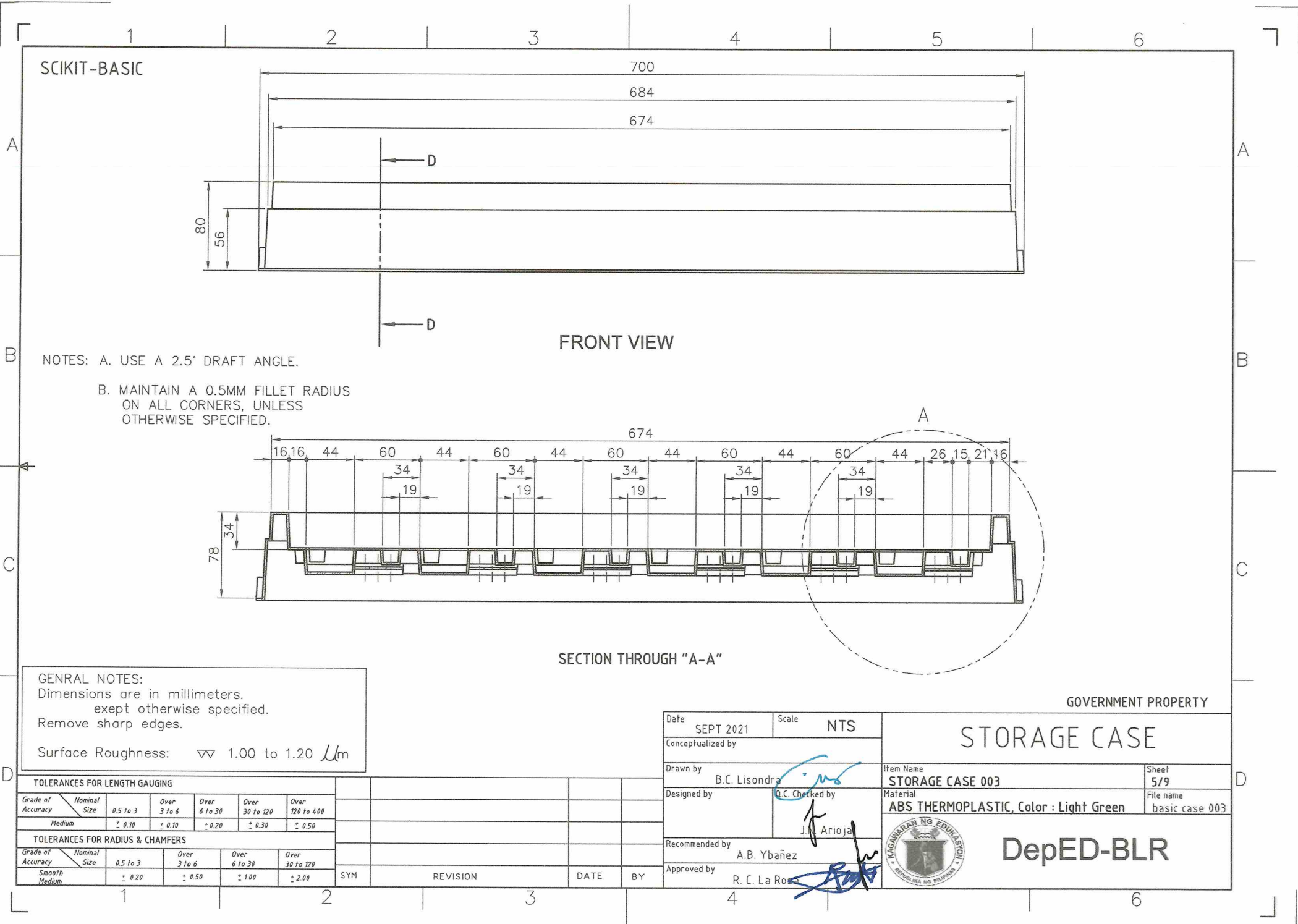
TOLERANCES FOR LENGTH GAUGING						
Grade of Accuracy	Nominal Size	Over 0.5 to 3	Over 3 to 6	Over 6 to 30	Over 30 to 120	Over 120 to 400
Medium		± 0.10	± 0.10	± 0.20	± 0.30	± 0.50

TOLERANCES FOR RADIUS & CHAMFERS					
Grade of Accuracy	Nominal Size	Over 0.5 to 3	Over 3 to 6	Over 6 to 30	Over 30 to 120
Smooth		± 0.20	± 0.50	± 1.00	± 2.00
Medium		± 0.20	± 0.50	± 1.00	± 2.00

SYM	REVISION	DATE	BY

Date	SEPT 2021	Scale	NTS
Conceptualized by			
Drawn by	B.C. Lisondra		
Designed by	Checked by J.N. Arriola		
Recommended by	A.B. Ybanez		
Approved by	R. C. La Rosa		

Item Name	STORAGE CASE 003	Sheet	4/9
Material	ABS THERMOPLASTIC, Color : Light Green	File name	basic case 003
		<h1>DepED-BLR</h1>	



SCIKIT-BASIC

FRONT VIEW

SECTION THROUGH "A-A"

NOTES: A. USE A 2.5° DRAFT ANGLE.

B. MAINTAIN A 0.5MM FILLET RADIUS ON ALL CORNERS, UNLESS OTHERWISE SPECIFIED.

GENERAL NOTES:
 Dimensions are in millimeters.
 except otherwise specified.
 Remove sharp edges.

Surface Roughness: ∇ 1.00 to 1.20 μ m


GOVERNMENT PROPERTY

STORAGE CASE

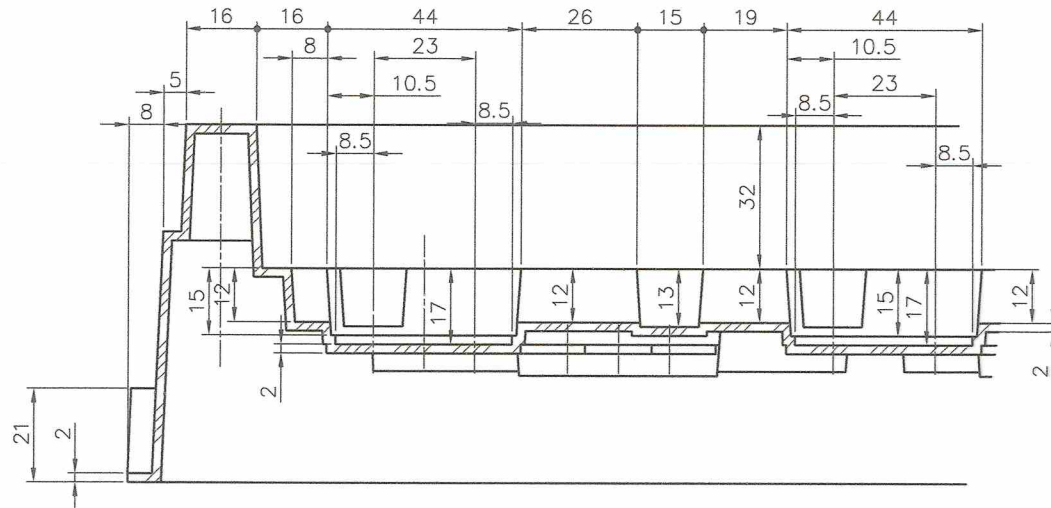
TOLERANCES FOR LENGTH GAUGING						
Grade of Accuracy	Nominal Size	Over 0.5 to 3	Over 3 to 6	Over 6 to 30	Over 30 to 120	Over 120 to 400
Medium		± 0.10	± 0.10	± 0.20	± 0.30	± 0.50

TOLERANCES FOR RADIUS & CHAMFERS					
Grade of Accuracy	Nominal Size	Over 0.5 to 3	Over 3 to 6	Over 6 to 30	Over 30 to 120
Smooth		± 0.20	± 0.50	± 1.00	± 2.00
Medium		± 0.20	± 0.50	± 1.00	± 2.00

SYM	REVISION	DATE	BY

Date	SEPT 2021	Scale	NTS
Conceptualized by			
Drawn by	B.C. Lisondra	Item Name	STORAGE CASE 003
Designed by		Material	ABS THERMOPLASTIC, Color : Light Green
Q.C. Checked by	J. Arriola	Sheet	5/9
Recommended by	A.B. Ybañez	File name	basic case 003
Approved by	R. C. La Rosa	 DepED-BLR	

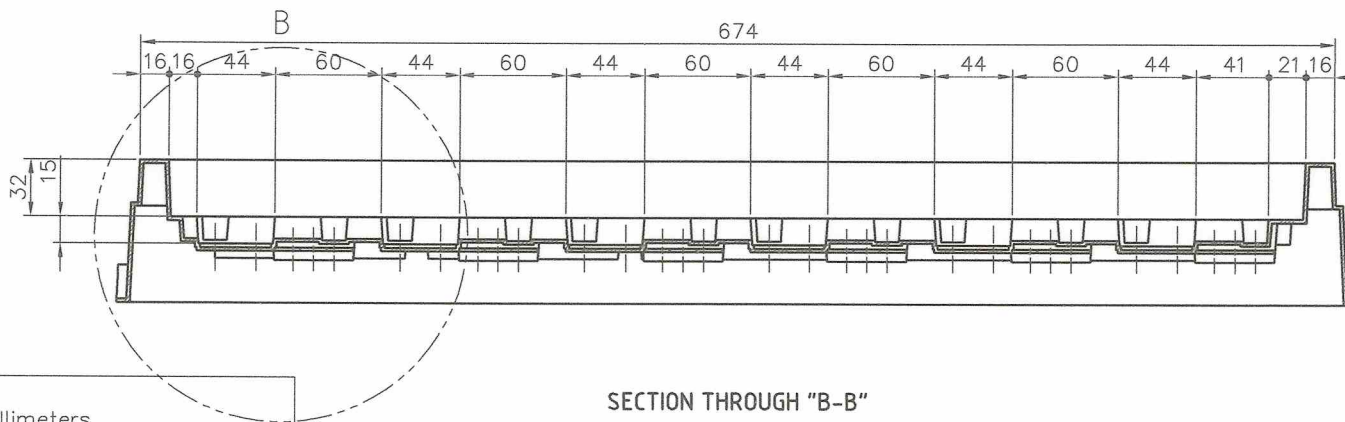
SCIKIT-BASIC



DETAIL "B"

NOTES: A. USE A 2.5° DRAFT ANGLE.

B. MAINTAIN A 0.5MM FILLET RADIUS ON ALL CORNERS, UNLESS OTHERWISE SPECIFIED.



SECTION THROUGH "B-B"

GENERAL NOTES:
Dimensions are in millimeters.
except otherwise specified.
Remove sharp edges.

Surface Roughness: ∇ 1.00 to 1.20 μ m

GOVERNMENT PROPERTY

STORAGE CASE

Date	SEPT 2021	Scale	NTS
Conceptualized by			
Drawn by	B.C. Lisondra		
Designed by	D.C. Checked by		
Recommended by	A.B. Ybañez		
Approved by	R. C. La Rosa		

Item Name	STORAGE CASE 003	Sheet	6/9
Material	ABS THERMOPLASTIC, Color : Light Green	File name	basic case 003



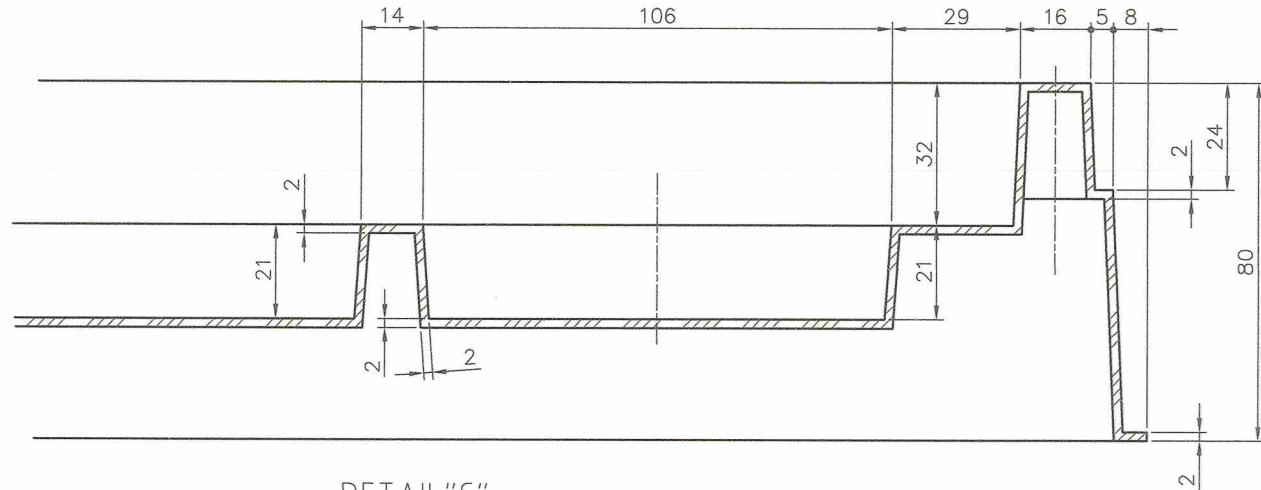
DepED-BLR

TOLERANCES FOR LENGTH GAUGING						
Grade of Accuracy	Nominal Size	Over 0.5 to 3	Over 3 to 6	Over 6 to 30	Over 30 to 120	Over 120 to 400
Medium		± 0.10	± 0.10	± 0.20	± 0.30	± 0.50

TOLERANCES FOR RADIUS & CHAMFERS					
Grade of Accuracy	Nominal Size	Over 0.5 to 3	Over 3 to 6	Over 6 to 30	Over 30 to 120
Smooth Medium		± 0.20	± 0.50	± 1.00	± 2.00

SYM	REVISION	DATE	BY

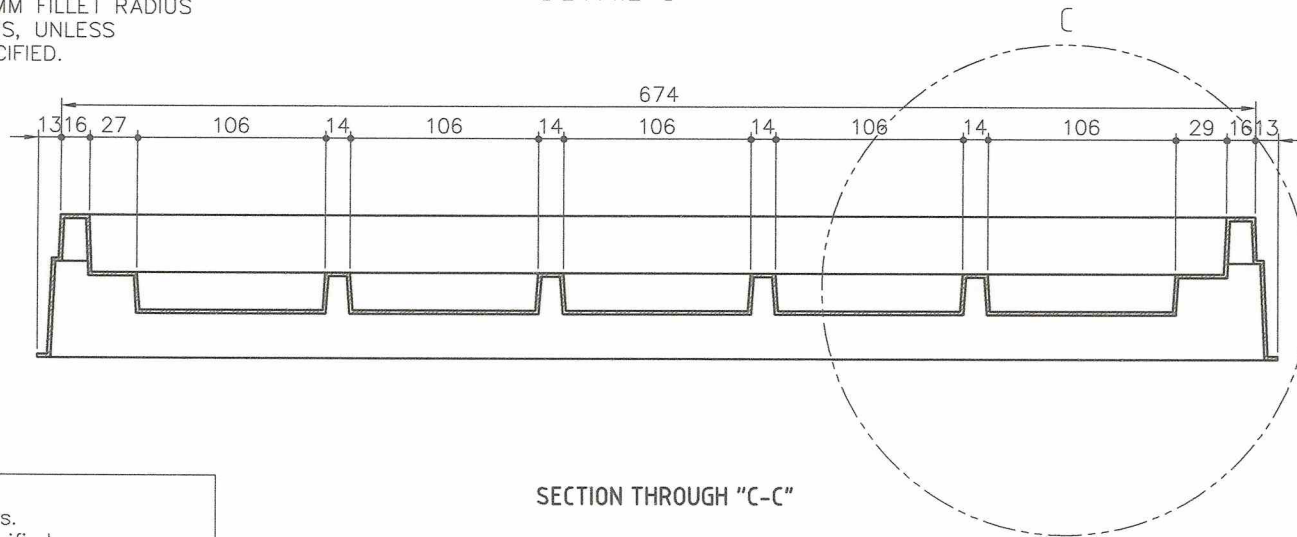
SCIKIT-BASIC



DETAIL "C"

NOTES: A. USE A 2.5° DRAFT ANGLE.

B. MAINTAIN A 0.5MM FILLET RADIUS ON ALL CORNERS, UNLESS OTHERWISE SPECIFIED.



SECTION THROUGH "C-C"


GENERAL NOTES:
Dimensions are in millimeters.
except otherwise specified.
Remove sharp edges.

Surface Roughness: ∇ 1.00 to 1.20 μ m

GOVERNMENT PROPERTY

STORAGE CASE

Date	SEPT 2021	Scale	NTS
Conceptualized by			
Drawn by	B.C. Lisondra		
Designed by	Q.C. Checked by		
Recommended by	J.N. Arriola		
Approved by	A.B. Ybanez		
	R. C. La Rosa		

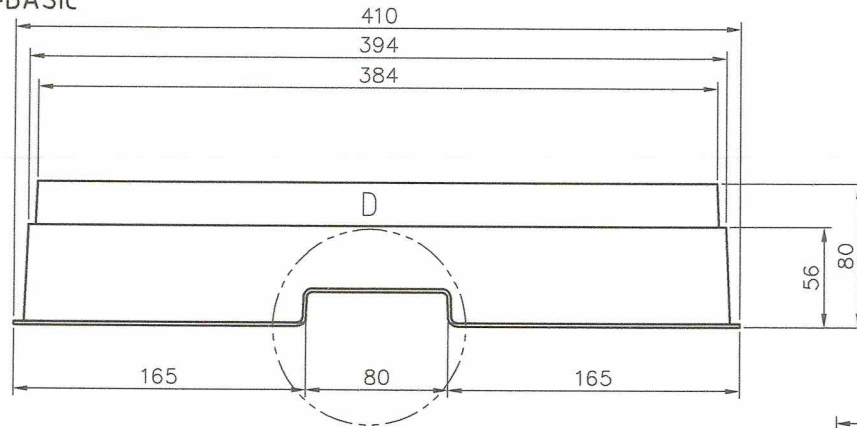
Item Name	STORAGE CASE 003	Sheet	7/9
Material	ABS THERMOPLASTIC, Color : Light Green	File name	basic case 003
		<p>DepED-BLR</p>	

TOLERANCES FOR LENGTH GAUGING						
Grade of Accuracy	Nominal Size	0.5 to 3	Over 3 to 6	Over 6 to 30	Over 30 to 120	Over 120 to 400
Medium		± 0.10	± 0.10	± 0.20	± 0.30	± 0.50

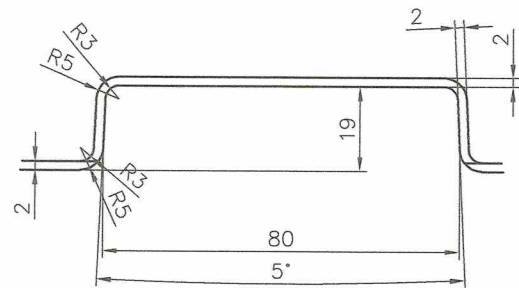
TOLERANCES FOR RADIUS & CHAMFERS					
Grade of Accuracy	Nominal Size	0.5 to 3	Over 3 to 6	Over 6 to 30	Over 30 to 120
Smooth		± 0.20	± 0.50	± 1.00	± 2.00
Medium		± 0.20	± 0.50	± 1.00	± 2.00

SYM	REVISION	DATE	BY

SCIKIT-BASIC



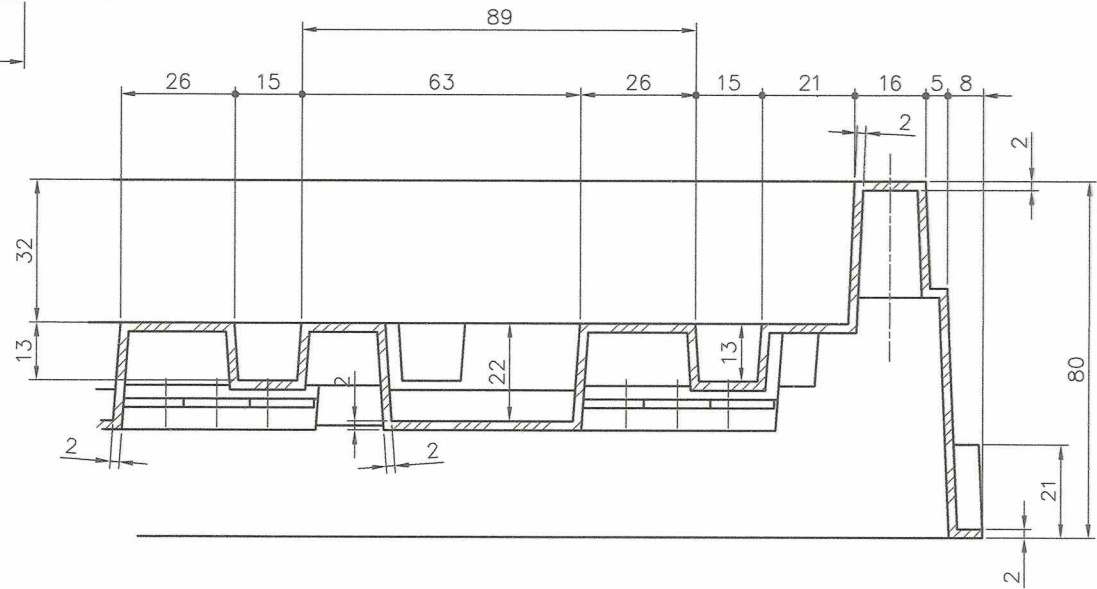
SIDE VIEW



DETAIL "D"

NOTES: A. USE A 2.5° DRAFT ANGLE.

B. MAINTAIN A 0.5MM FILLET RADIUS ON ALL CORNERS, UNLESS OTHERWISE SPECIFIED.




DETAIL "A"

GENERAL NOTES:
Dimensions are in millimeters,
except otherwise specified.
Remove sharp edges.

Surface Roughness: ∇ 1.00 to 1.20 μ m

GOVERNMENT PROPERTY

STORAGE CASE

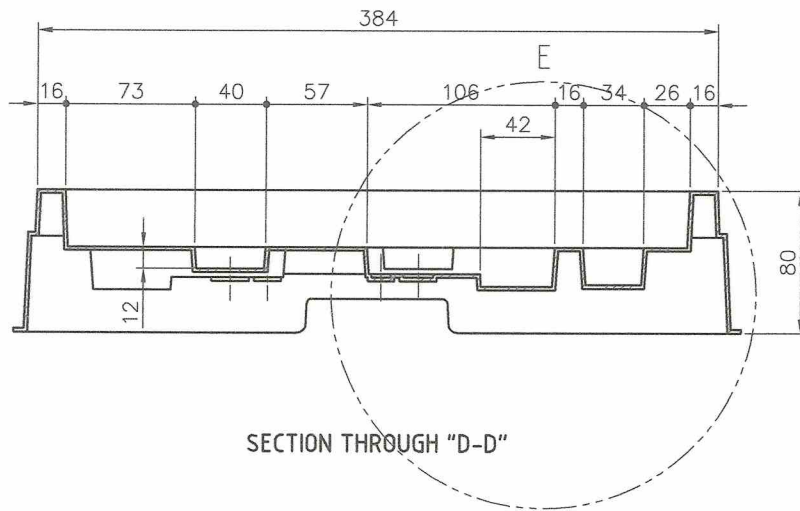
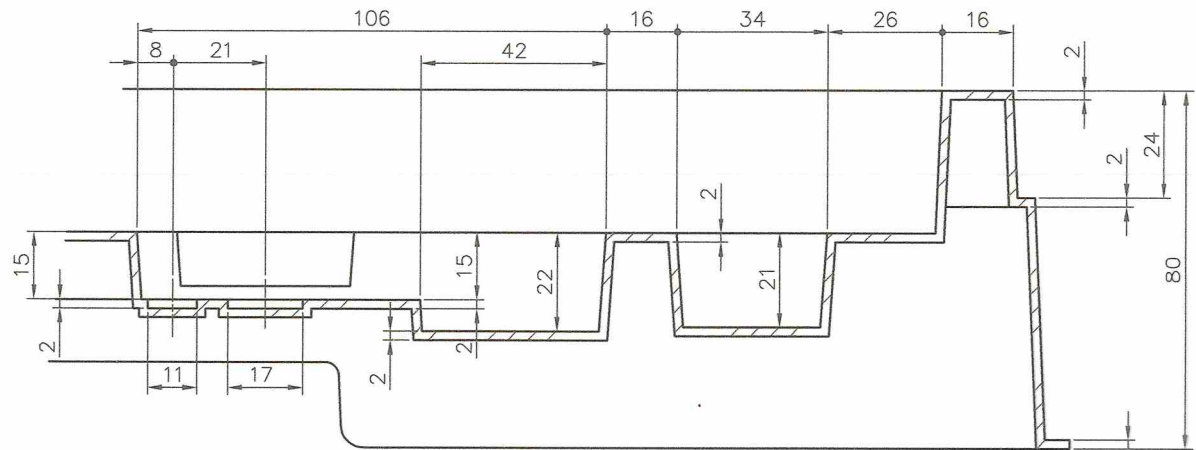
Date	SEPT 2021	Scale	NTS	STORAGE CASE	
Conceptualized by				Item Name	Sheet
Drawn by	B.C. Lisondra			STORAGE CASE 003	8/9
Designed by		Q.C. Checked by	J.N. Arriola	Material	File name
				ABS THERMOPLASTIC, Color : Light Green	basic case 003
Recommended by	A.B. Ybañez			 DepED-BlR	
Approved by	R. C. La Rosa				

TOLERANCES FOR LENGTH GAUGING						
Grade of Accuracy	Nominal Size	Over 0.5 to 3	Over 3 to 6	Over 6 to 30	Over 30 to 120	Over 120 to 400
Medium		± 0.10	± 0.10	± 0.20	± 0.30	± 0.50

TOLERANCES FOR RADIUS & CHAMFERS					
Grade of Accuracy	Nominal Size	Over 0.5 to 3	Over 3 to 6	Over 6 to 30	Over 30 to 120
Smooth		± 0.20	± 0.50	± 1.00	± 2.00
Medium		± 0.20	± 0.50	± 1.00	± 2.00

SYM	REVISION	DATE	BY

SCIKIT-BASIC



DETAIL "E"

NOTES: A. USE A 2.5° DRAFT ANGLE.


B. MAINTAIN A 0.5MM FILLET RADIUS ON ALL CORNERS, UNLESS OTHERWISE SPECIFIED.

GENERAL NOTES:
 Dimensions are in millimeters.
 except otherwise specified.
 Remove sharp edges.

Surface Roughness: ∇ 1.00 to 1.20 μ m

GOVERNMENT PROPERTY

STORAGE CASE

Date	SEPT 2021	Scale	NTS	STORAGE CASE	
Conceptualized by				Item Name	Sheet
Drawn by	B.C. Lisondra			STORAGE CASE 003	9/9
Designed by	O.C. Checked by			Material	File name
	J.N. Añon			ABS THERMOPLASTIC, Color : Light Green	basic case 003
Recommended by	A.B. Ybañez			 DepED-BLR	
Approved by	R. C. La Rosa				

TOLERANCES FOR LENGTH GAUGING						SYM	REVISION	DATE	BY
Grade of Accuracy	Nominal Size	0.5 to 3	Over 3 to 6	Over 6 to 30	Over 30 to 120				
Medium		± 0.10	± 0.10	± 0.20	± 0.30	± 0.50			
TOLERANCES FOR RADIUS & CHAMFERS						SYM	REVISION	DATE	BY
Grade of Accuracy	Nominal Size	0.5 to 3	Over 3 to 6	Over 6 to 30	Over 30 to 120				
Smooth Medium		± 0.20	± 0.50	± 1.00	± 2.00				