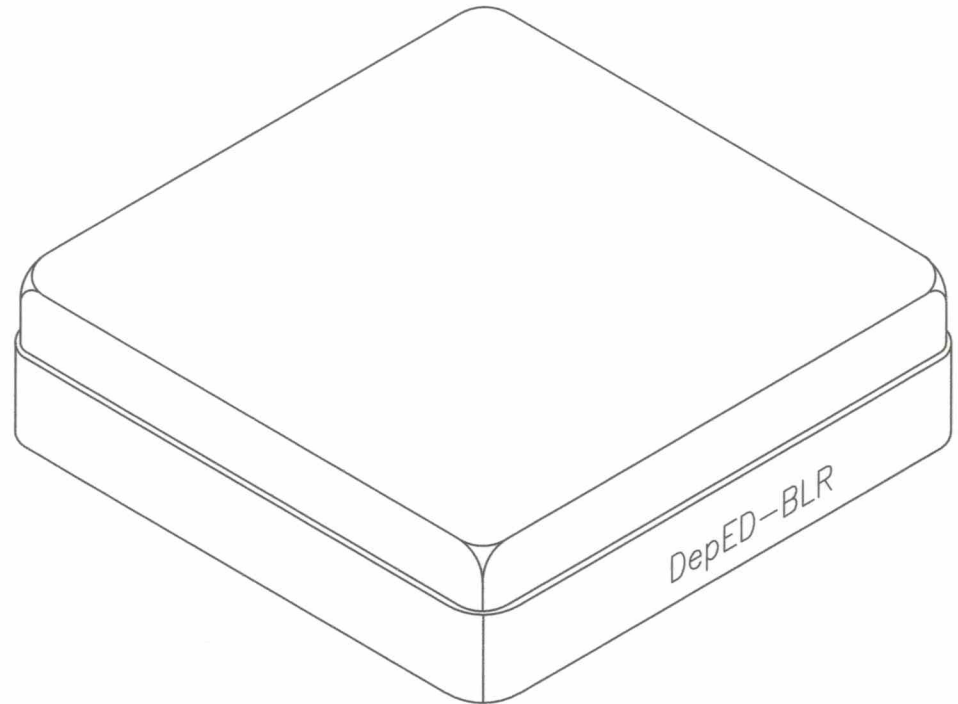


BALL CASE



CASE COVER

GOVERNMENT PROPERTY

FREE FALL APPRATUS

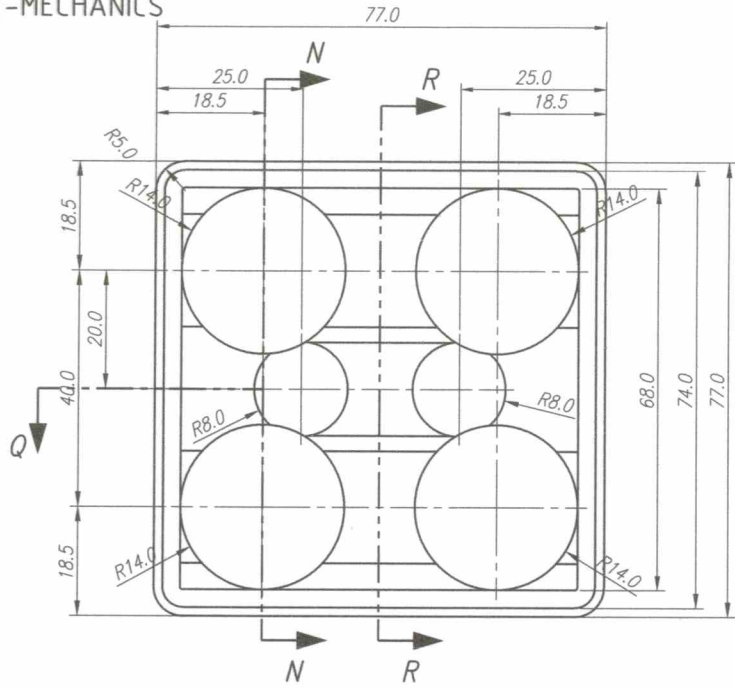
TOLERANCES FOR LENGTH GAUGING						
Grade of Accuracy	Nominal Size	0.5 to 3	Over 3 to 6	Over 6 to 30	Over 30 to 120	Over 120 to 400
Medium		$\pm 0.10$	$\pm 0.10$	$\pm 0.20$	$\pm 0.30$	$\pm 0.50$

TOLERANCES FOR RADIUS & CHAMFERS					
Grade of Accuracy	Nominal Size	0.5 to 3	Over 3 to 6	Over 6 to 30	Over 30 to 120
Smooth		$\pm 0.20$	$\pm 0.50$	$\pm 1.00$	$\pm 2.00$
Medium					

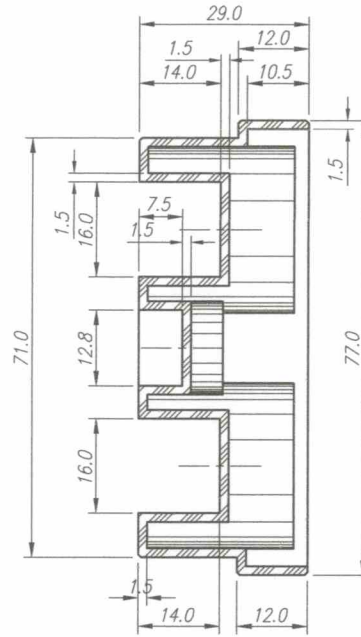
SYM	REVISION	DATE	BY

Date	SEPT 2021	Scale	
Conceptualized by			
Drawn by	B.C. Lisondra	Item Name	BALL CASE
Designed by	J.C. Checked by	Material	ABS Thermoplastic, Color: Green
	J.N. Arriola	File name	ball case 3D
Recommended by	A.B. Ybañez	 <b>DepED-BLR</b>	
Approved by	R. C. La Rosa		

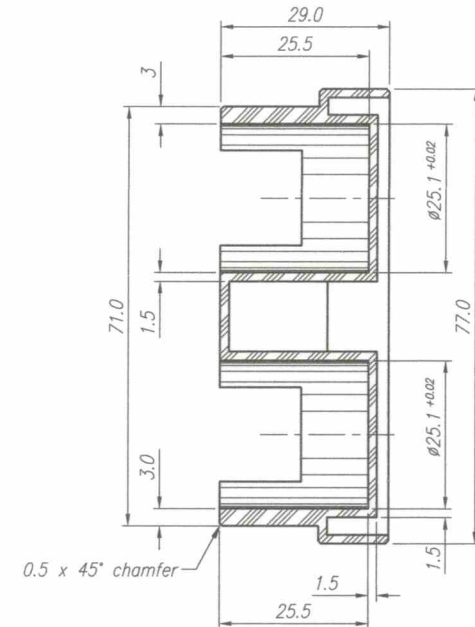
D



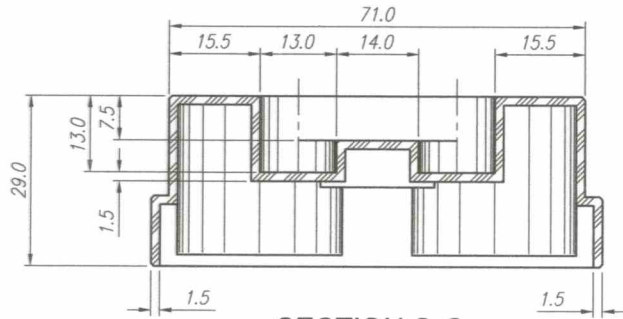
BOTTOM VIEW



SECTION R-R



SECTION N-N




SECTION Q-Q

- NOTE: \* Wall thickness must be 1.5mm all over.  
 \* Use 0.5mm chamfer on exterior walls.  
 \* Dimensions are in millimeters except otherwise specified.  
 \* Smoothen all sharp edges.  
 \* Surface Roughness @ 1.00 to 1.20 μm

GOVERNMENT PROPERTY

FREE FALL APPRATUS

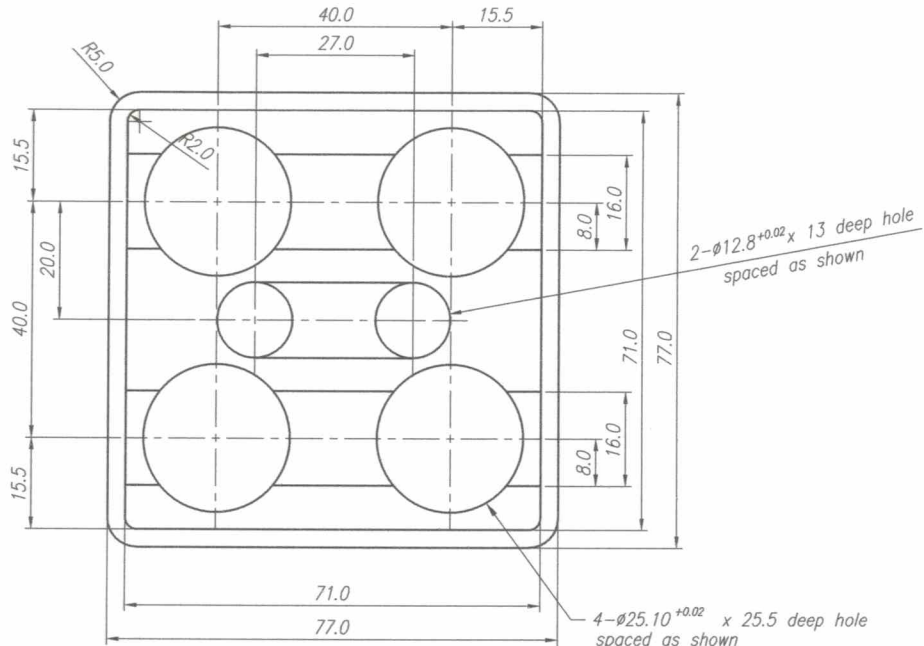
Date	SEPT 2021	Scale	1:0.75MM
Conceptualized by			
Drawn by	B.C. Lisondra	Item Name	BALL CASE
Designed by	Q.C. Checked by	Material	ABS Thermoplastic, Color: Green
	J.N. Ariola	File name	ball case detail
Recommended by	A.B. Ybanez	 DepED-BLR	
Approved by	R. C. La Rosa		

TOLERANCES FOR LENGTH GAUGING						
Grade of Accuracy	Nominal Size	0.5 to 3	Over 3 to 6	Over 6 to 30	Over 30 to 120	Over 120 to 400
Medium		± 0.10	± 0.10	± 0.20	± 0.30	± 0.50

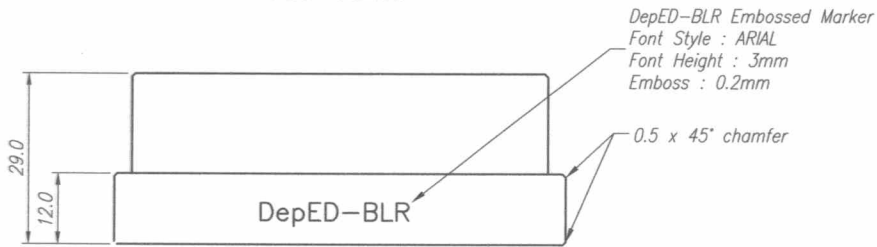
  

TOLERANCES FOR RADIUS & CHAMFERS					
Grade of Accuracy	Nominal Size	0.5 to 3	Over 3 to 6	Over 6 to 30	Over 30 to 120
Smooth		± 0.20	± 0.50	± 1.00	± 2.00
Medium		± 0.20	± 0.50	± 1.00	± 2.00

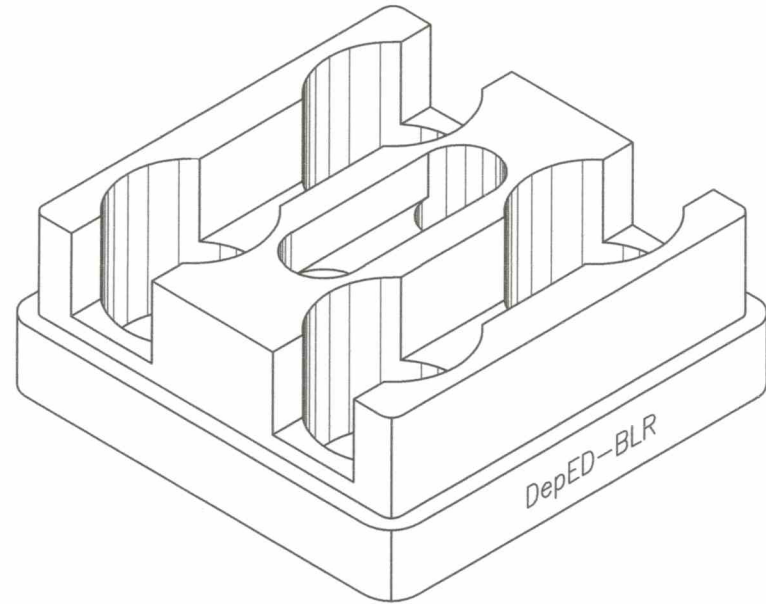
SYM	REVISION	DATE	BY



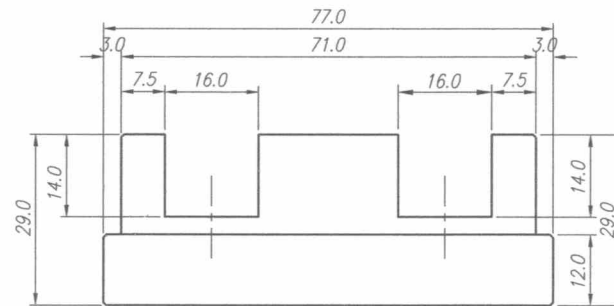
TOP VIEW



FRONT VIEW



ISOMETRIC



SIDE VIEW

- \* Dimensions are in millimeters except otherwise specified.
- \* Smoothen all sharp edges.
- \* Surface Roughness @ 1.00 to 1.20µm

TOLERANCES FOR LENGTH GAUGING						
Grade of Accuracy	Nominal Size	0.5 to 3	Over 3 to 6	Over 6 to 30	Over 30 to 120	Over 120 to 400
Medium		± 0.10	± 0.10	± 0.20	± 0.30	± 0.50

TOLERANCES FOR RADIUS & CHAMFERS					
Grade of Accuracy	Nominal Size	0.5 to 3	Over 3 to 6	Over 6 to 30	Over 30 to 120
Smooth		± 0.20	± 0.50	± 1.00	± 2.00
Medium					

SYM	REVISION	DATE	BY

Date	SEPT 2021	Scale	1:0.75MM	FREE FALL APPRATUS	
Conceptualized by					
Drawn by	B.C. Lisondra	Checked by	J.N. Arioja	Item Name	BALL CASE
Designed by				Material	ABS Thermoplastic, Color: Green
Recommended by	A.B. Ybañez	Approved by	R. C. La Rosa	Sheet	File name ball case detail
				 <b>DepED-BLR</b>	

GOVERNMENT PROPERTY

FREE FALL APPRATUS

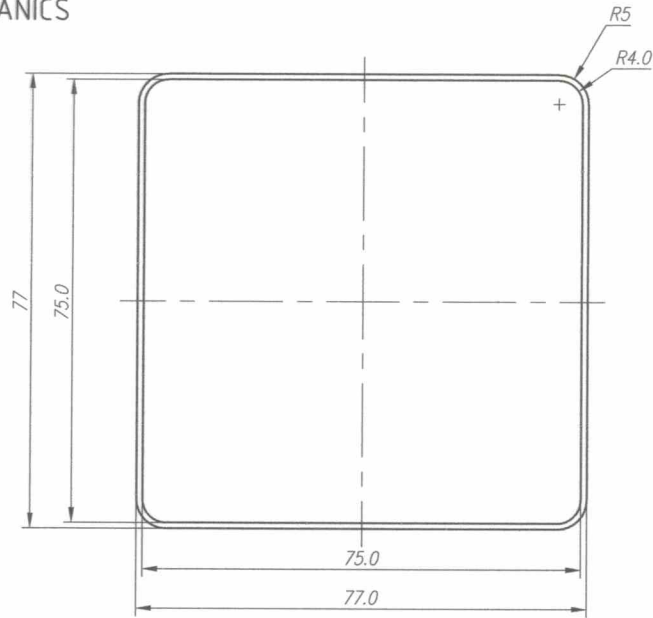
Item Name  
**BALL CASE**

Material  
ABS Thermoplastic, Color: Green

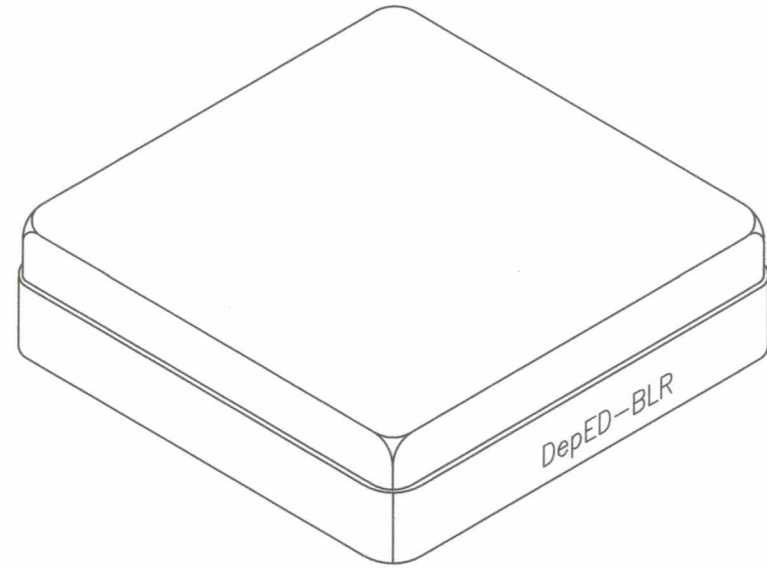
Sheet  
File name  
ball case detail



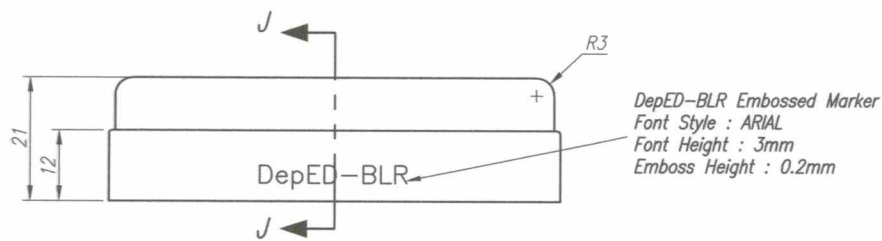
**DepED-BLR**



TOP VIEW

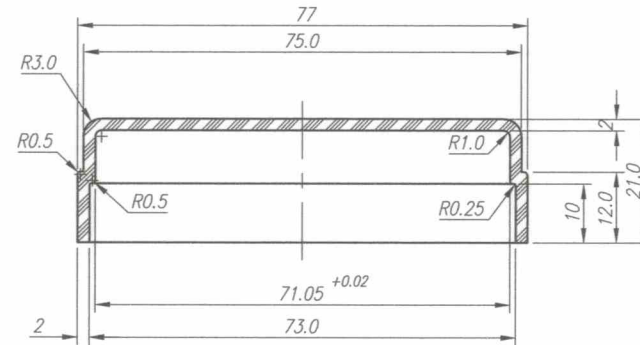


ISOMETRIC



FRONT VIEW

DepED-BLR Embossed Marker  
Font Style : ARIAL  
Font Height : 3mm  
Emboss Height : 0.2mm



SECTION J-J

GOVERNMENT PROPERTY

- \* Dimensions are in millimeters except otherwise specified.
- \* Smoothen all sharp edges.
- \* Surface Roughness @ 1.00 to 1.20 μm

TOLERANCES FOR LENGTH GAUGING

Grade of Accuracy	Nominal Size	0.5 to 3	Over 3 to 6	Over 6 to 30	Over 30 to 120	Over 120 to 400
Medium		± 0.10	± 0.10	± 0.20	± 0.30	± 0.50

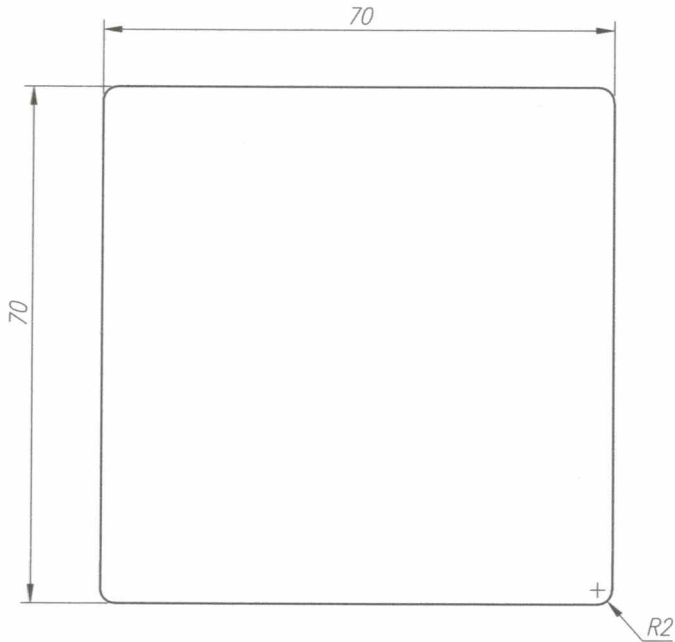
TOLERANCES FOR RADIUS & CHAMFERS

Grade of Accuracy	Nominal Size	0.5 to 3	Over 3 to 6	Over 6 to 30	Over 30 to 120
Smooth		± 0.20	± 0.50	± 1.00	± 2.00
Medium					

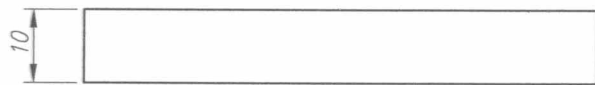
SYM	REVISION	DATE	BY

Date	SEPT 2021	Scale	1:0.75MM	FREE FALL APPRATUS	
Conceptualized by					
Drawn by	B.C. Lisondra	Checked by	J.N. Arias	Item Name	BALL CASE - CASE COVER
Designed by				Material	ABS Thermoplastic, Color: Green
Recommended by	A.B. Ybañez			File name	ball case cover
Approved by	R. C. La Rosa			 <b>DepED-BLR</b>	

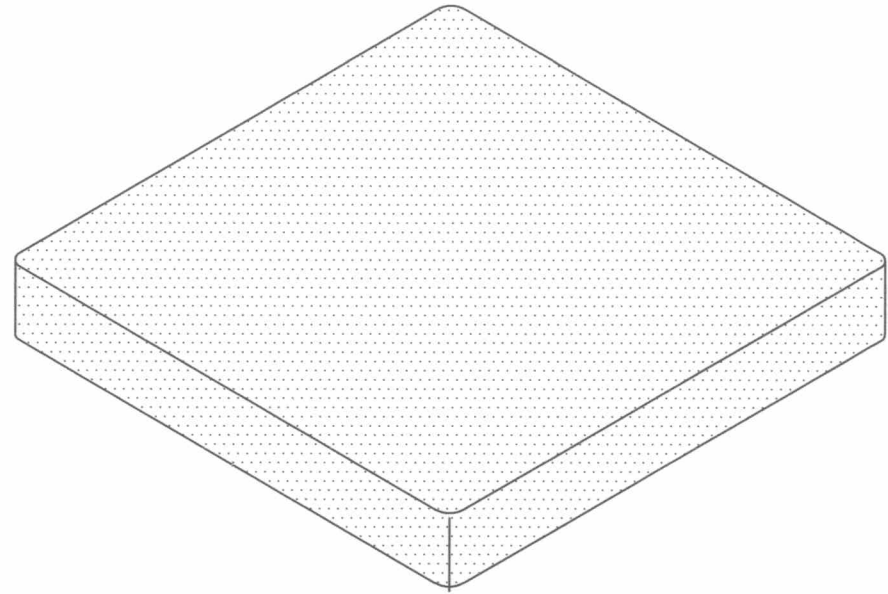
D



TOP VIEW



FRONT VIEW



ISOMETRIC VIEW

\* Dimensions are in millimeters except otherwise specified.

GOVERNMENT PROPERTY

Date	SEPT 2021	Scale	FREE FALL APPRATUS	
Conceptualized by			Item Name	BALL CASE - CUSHION
Drawn by	B.C. Lisondra	Checked by	Material	10mm thk. Soft Foam
Designed by	J.N. Prijo	Recommended by	File name	ballcushion
		Approved by	 <b>DepED-BLR</b>	

GOVERNMENT PROPERTY

TOLERANCES FOR LENGTH GAUGING						
Grade of Accuracy	Nominal Size	0.5 to 3	Over 3 to 6	Over 6 to 30	Over 30 to 120	Over 120 to 400
Medium		± 0.10	± 0.10	± 0.20	± 0.30	± 0.50

TOLERANCES FOR RADIUS & CHAMFERS					
Grade of Accuracy	Nominal Size	0.5 to 3	Over 3 to 6	Over 6 to 30	Over 30 to 120
Smooth		± 0.20	± 0.50	± 1.00	± 2.00
Medium					

SYM	REVISION	DATE	BY