

RCA jack
Market Item
(all system connected)

BRAND: "Q & Q"
Made in JAPAN

STOPWATCH

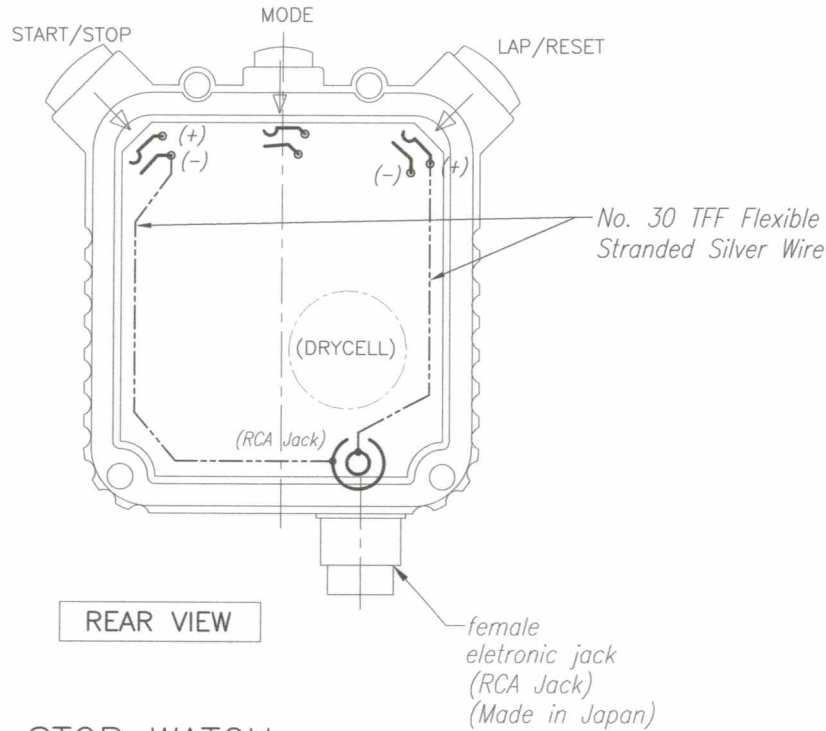
GOVERNMENT PROPERTY

Date	SEPT 2021	Scale	FREE FALL APPRATUS	
Conceptualized by			Item Name	STOPWATCH
Drawn by	B.C. Lisondra	Checked by	Material	Electronic Digital Stopwatch (Market Item)
Designed by		Checked by	File name	stopwatch 3D
Recommended by	A.B. Ybanez	Checked by	 DepED-BLR	
Approved by	R. C. La Rosa	Checked by		

TOLERANCES FOR LENGTH GAUGING						
Grade of Accuracy	Nominal Size	0.5 to 3	Over 3 to 6	Over 6 to 30	Over 30 to 120	Over 120 to 400
Medium		± 0.10	± 0.10	± 0.20	± 0.30	± 0.50

TOLERANCES FOR RADIUS & CHAMFERS					
Grade of Accuracy	Nominal Size	0.5 to 3	Over 3 to 6	Over 6 to 30	Over 30 to 120
Smooth Medium		± 0.20	± 0.50	± 1.00	± 2.00

SYM	REVISION	DATE	BY



STOP WATCH SCHEMATIC WIRING DIAGRAM

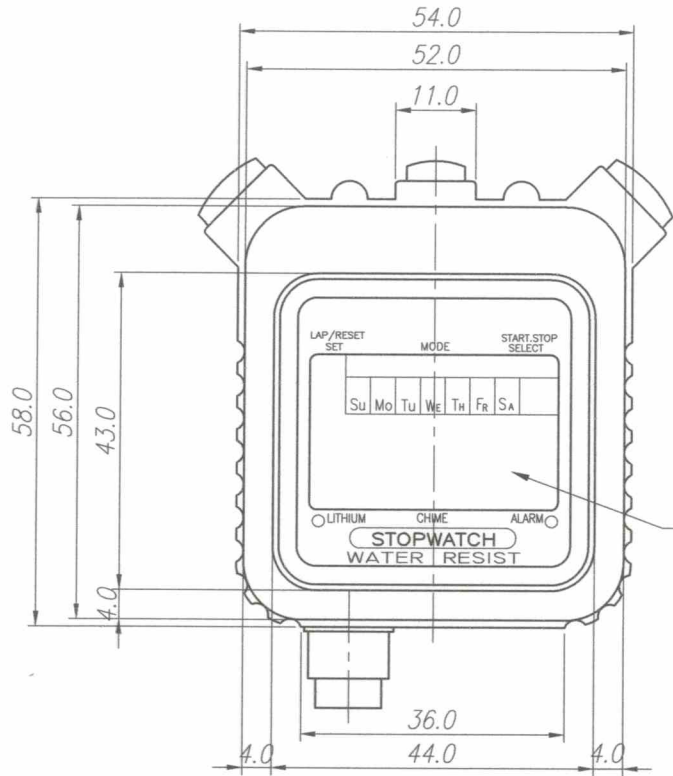
GOVERNMENT PROPERTY

Date	SEPT 2021	Scale	FREE FALL APPRATUS	
Conceptualized by			Item Name	ELECTRONIC DIGITAL STOPWATCH
Drawn by	B.C. Lisondra	Checked by	Material	(MARLET ITEM FROM JAPAN)
Designed by		Checked by		File name stopwatch detail
Recommended by	A.B. Ybanez	Checked by	 DepED-BLR	
Approved by	R. C. La Rosa			

TOLERANCES FOR LENGTH GAUGING						
Grade of Accuracy	Nominal Size	0.5 to 3	Over 3 to 6	Over 6 to 30	Over 30 to 120	Over 120 to 400
Medium		± 0.10	± 0.10	± 0.20	± 0.30	± 0.50

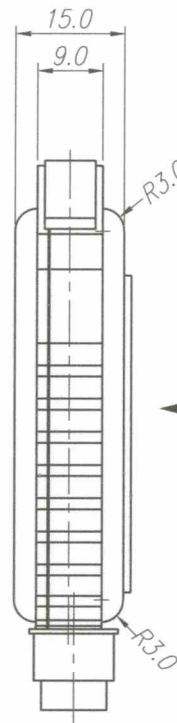
TOLERANCES FOR RADIUS & CHAMFERS					
Grade of Accuracy	Nominal Size	0.5 to 3	Over 3 to 6	Over 6 to 30	Over 30 to 120
Smooth Medium		± 0.20	± 0.50	± 1.00	± 2.00

SYM	REVISION	DATE	BY



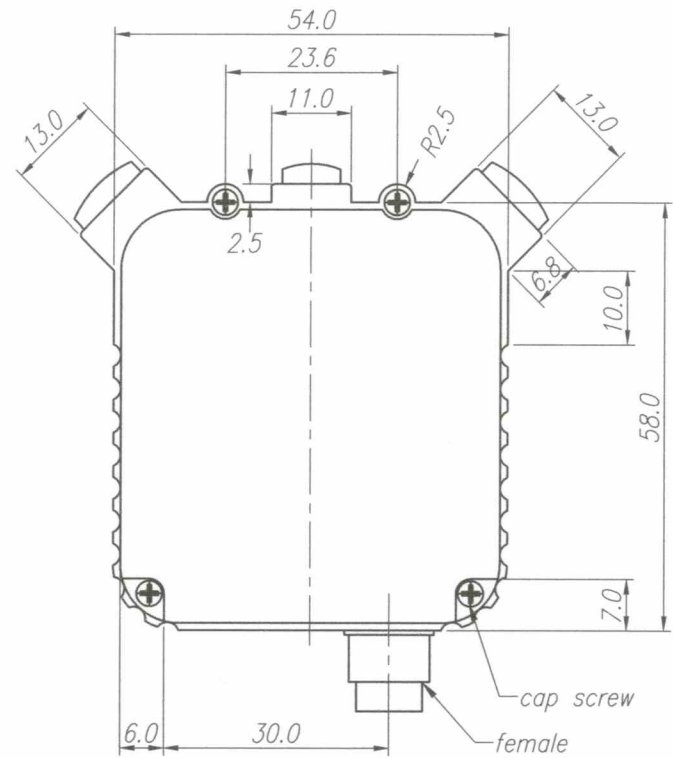
FRONT VIEW

REAR →



SIDE VIEW

← FRONT



REAR VIEW

cap screw
female electronic jack (RCA Jack) (Made in Japan)

GOVERNMENT PROPERTY

Date	SEPT 2021	Scale	NTS	FREE FALL APPRATUS	
Conceptualized by					
Drawn by	B.C. Lisondra	Item Name	ELECTRONIC DIGITAL STOPWATCH		Sheet
Designed by		Q.C. Checked by	J.N. Ariojo	Material	(MARLET ITEM FROM JAPAN)
Recommended by	A.B. Ybanez	Approved by	R. C. La Rosa	 DepED-BLR	
File name	stopwatch detail				

TOLERANCES FOR LENGTH GAUGING						
Grade of Accuracy	Nominal Size	0.5 to 3	Over 3 to 6	Over 6 to 30	Over 30 to 120	Over 120 to 400
Medium		± 0.10	± 0.10	± 0.20	± 0.30	± 0.50

TOLERANCES FOR RADIUS & CHAMFERS					
Grade of Accuracy	Nominal Size	0.5 to 3	Over 3 to 6	Over 6 to 30	Over 30 to 120
Smooth		± 0.20	± 0.50	± 1.00	± 2.00
Medium		± 0.20	± 0.50	± 1.00	± 2.00

SYM	REVISION	DATE	BY