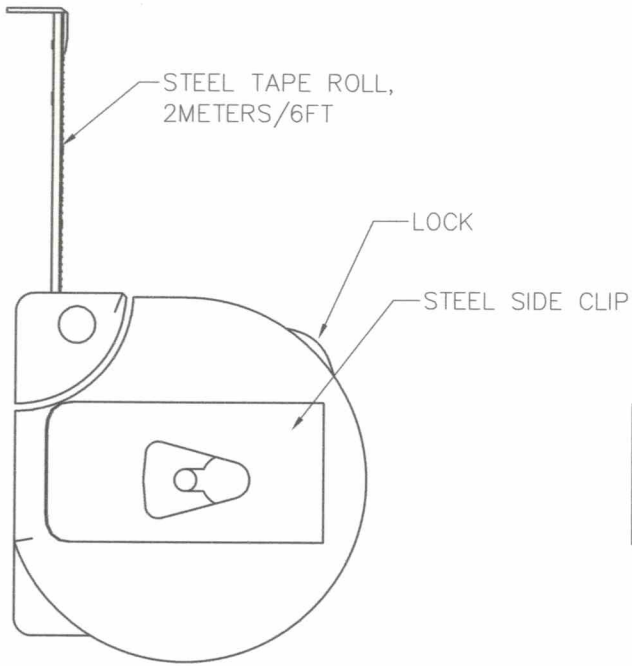
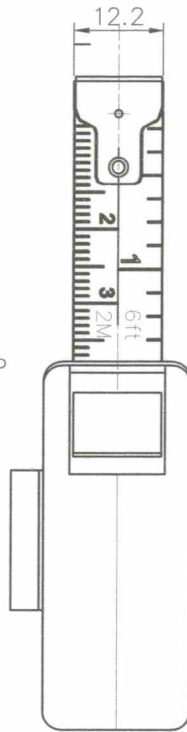


SCIKIT-MECHANICS

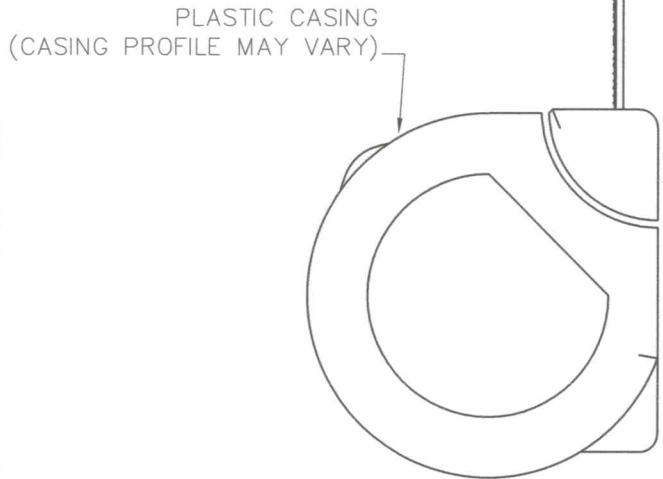


L-SIDE VIEW

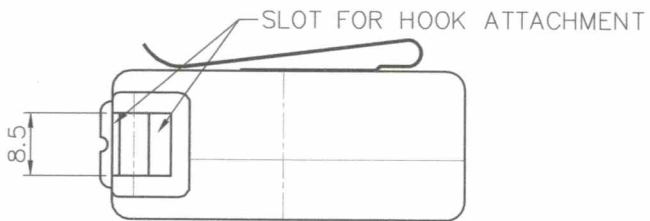
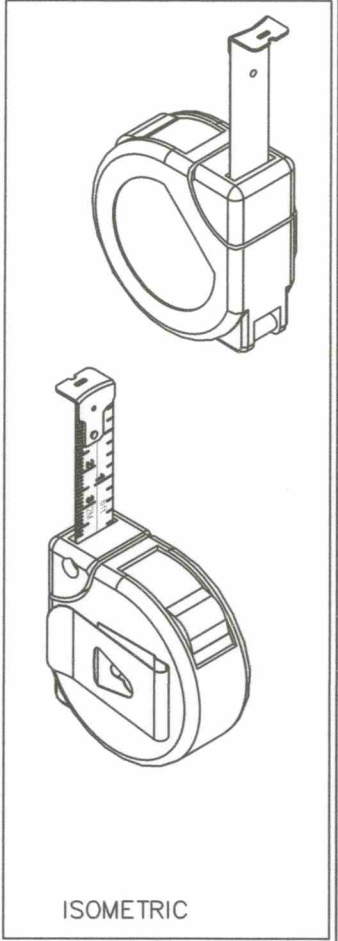


FRONT VIEW

MEASURING TAPE
 TYPE = PULL-PUSH ROLL
 STANDARD = METRIC AND ENGLISH STD.
 TAPE TOTAL LENGTH = 2METERS/6FT
 CASE COLOR = (ANY COLOR)



R-SIDE VIEW



BOTTOM VIEW

GOVERNMENT PROPERTY

TOLERANCES FOR LENGTH GAUGING						
Grade of Accuracy	Nominal Size	0.5 to 3	Over 3 to 6	Over 6 to 30	Over 30 to 120	Over 120 to 400
Medium		± 0.10	± 0.10	± 0.20	± 0.30	± 0.50

TOLERANCES FOR RADIUS & CHAMFERS					
Grade of Accuracy	Nominal Size	0.5 to 3	Over 3 to 6	Over 6 to 30	Over 30 to 120
Smooth		± 0.20	± 0.50	± 1.00	± 2.00
Medium					

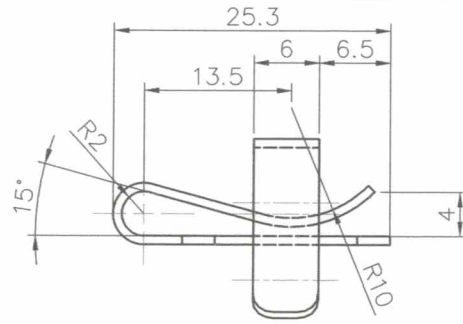
SYM	REVISION	DATE	BY

Date	SEPT 2021	Scale	
Conceptualized by			
Drawn by	B.C. Lisondra	Item Name	MEASURING TAPE
Designed by		Material	(MARKET ITEM : MADE IN JAPAN)
		Q.C. Checked by	J.N. Ariola
Recommended by	A.B. Ybanez	Sheet	02
Approved by	R. C. La Rosa	File name	metertape

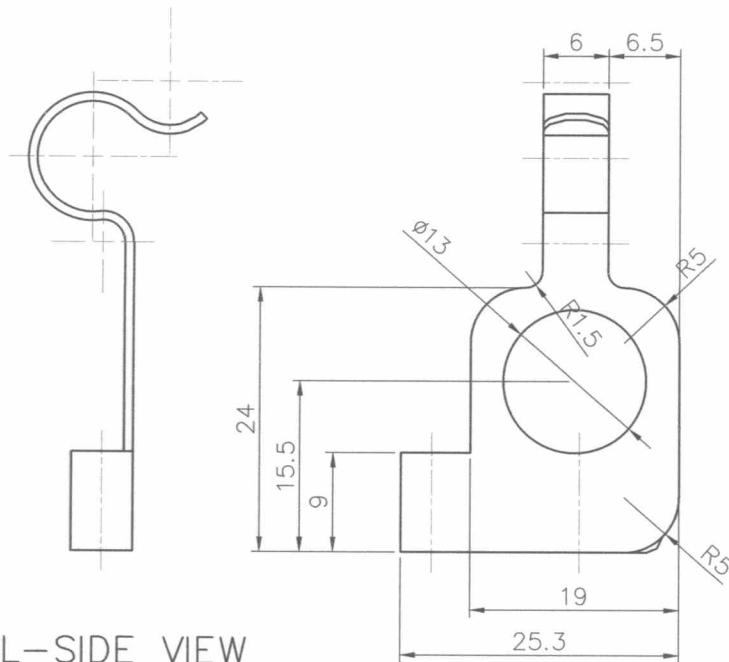


DepED-BLR

SCIKIT-MECHANICS

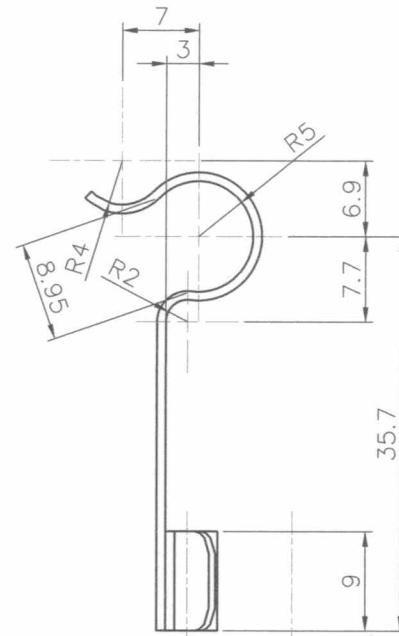


TOP VIEW

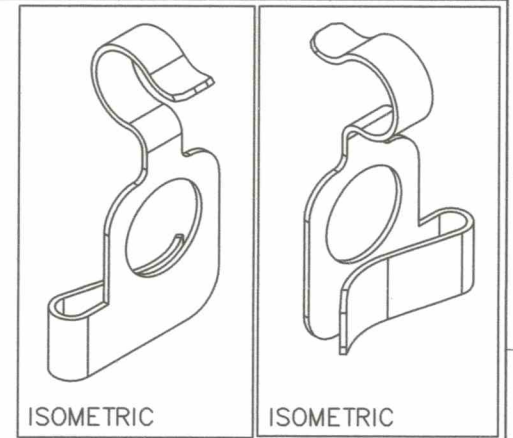


L-SIDE VIEW

FRONT VIEW



R-SIDE VIEW



- * Dimensions are in millimeters except otherwise specified.
- * Smoothen all sharp edges.
- * Surface Roughness @ 1.00 to 1.20 μm

GOVERNMENT PROPERTY

TOLERANCES FOR LENGTH GAUGING						
Grade of Accuracy	Nominal Size	0.5 to 3	Over 3 to 6	Over 6 to 30	Over 30 to 120	Over 120 to 400
Medium		± 0.10	± 0.10	± 0.20	± 0.30	± 0.50

TOLERANCES FOR RADIUS & CHAMFERS					
Grade of Accuracy	Nominal Size	0.5 to 3	Over 3 to 6	Over 6 to 30	Over 30 to 120
Smooth		± 0.20	± 0.50	± 1.00	± 2.00
Medium					

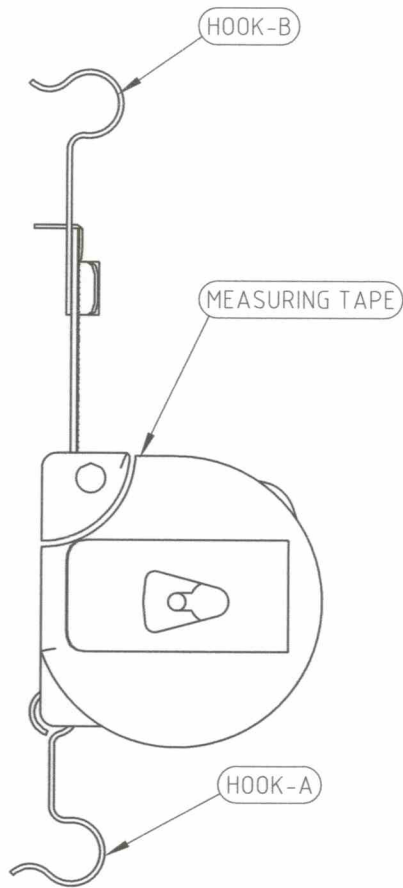
SYM	REVISION	DATE	BY

Date	SEPT 2021	Scale	MEASURING TAPE	
Conceptualized by				
Drawn by	B.C. Lisondra	Checked by	Item Name	Sheet
Designed by	J.N. Arioja		HOOK-B	04
Recommended by	A.B. Ybañez		Material	File name
Approved by	R. C. La Rosa		0.8MM THK STAINLESS STEEL	metertapedetail

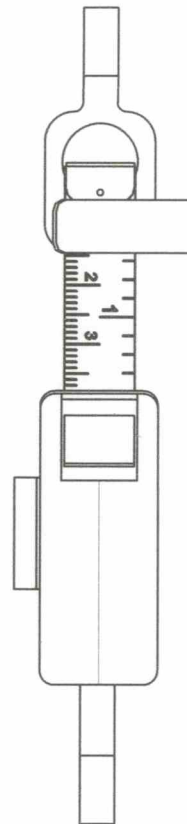


DepED-BLR

SCIKIT-MECHANICS



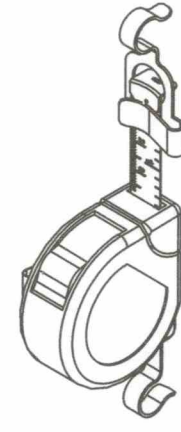
L-SIDE VIEW



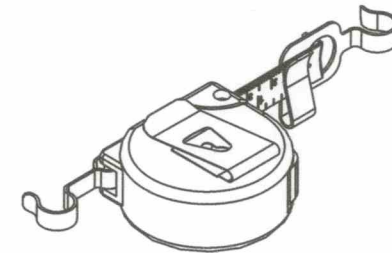
FRONT VIEW



ISOMETRIC




ISOMETRIC



ISOMETRIC

GOVERNMENT PROPERTY

MEASURING TAPE

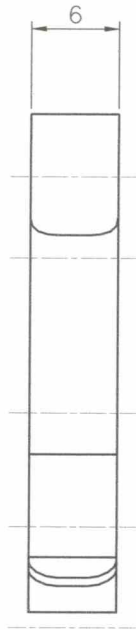
Date	SEPT 2021	Scale	
Conceptualized by			
Drawn by	B.C. Lisondra	Item Name	MEASURING TAPE ASSEMBLY
Designed by	J.C. Checked by	Material	Sheet 01
	J.N. Arjoja		File name metertapeassy
Recommended by	A.B. Ybafiez	 <p>DepED-BLR</p>	
Approved by	R. C. La Rosa		

TOLERANCES FOR LENGTH GAUGING						
Grade of Accuracy	Nominal Size	0.5 to 3	Over 3 to 6	Over 6 to 30	Over 30 to 120	Over 120 to 400
Medium		± 0.10	± 0.10	± 0.20	± 0.30	± 0.50

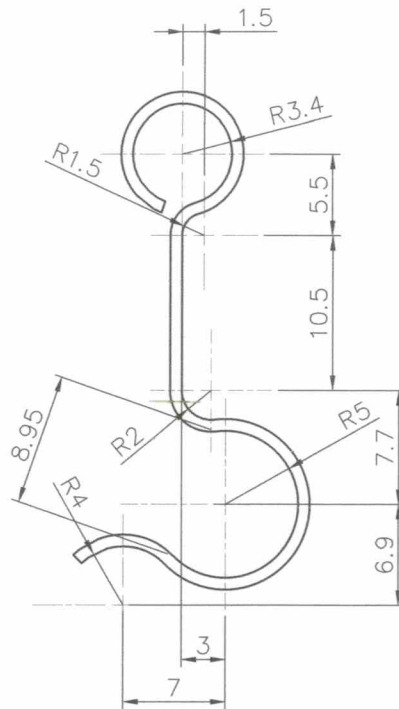
TOLERANCES FOR RADIUS & CHAMFERS					
Grade of Accuracy	Nominal Size	0.5 to 3	Over 3 to 6	Over 6 to 30	Over 30 to 120
Smooth		± 0.20	± 0.50	± 1.00	± 2.00
Medium					

SYM	REVISION	DATE	BY

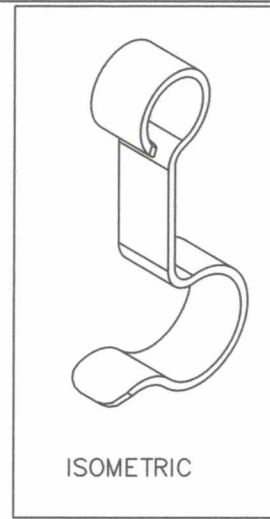
SCIKIT-MECHANICS



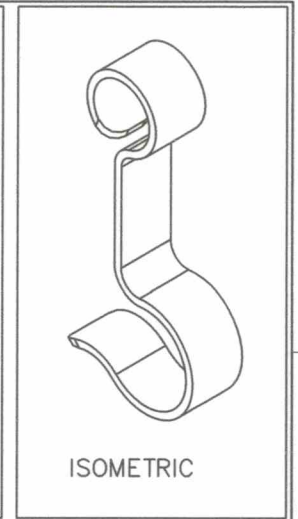
SIDE VIEW



FRONT VIEW




ISOMETRIC



ISOMETRIC

- * Dimensions are in millimeters except otherwise specified.
- * Smoothen all sharp edges.
- * Surface Roughness @ 1.00 to 1.20 μm

GOVERNMENT PROPERTY

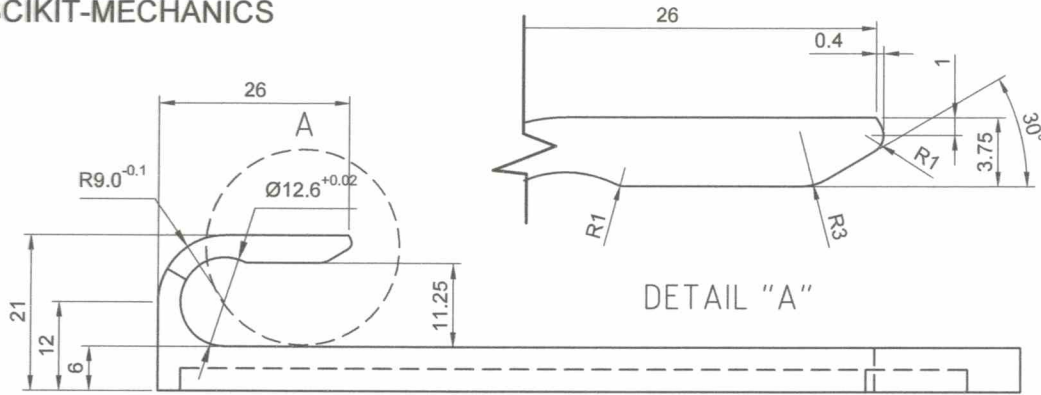
Date	SEPT 2021	Scale	MEASURING TAPE		
Conceptualized by					Item Name
Drawn by	B.C. Lisondra	Q.C. Checked by	J.N. Arjoia	HOOK-A	03
Designed by			Material	0.8MM THK STAINLESS STEEL	
Recommended by	A.B. Ybafiez		 DepED-BLR		
Approved by	R. C. La Rosa				

TOLERANCES FOR LENGTH GAUGING						
Grade of Accuracy	Nominal Size	0.5 to 3	Over 3 to 6	Over 6 to 30	Over 30 to 120	Over 120 to 400
Medium		± 0.10	± 0.10	± 0.20	± 0.30	± 0.50

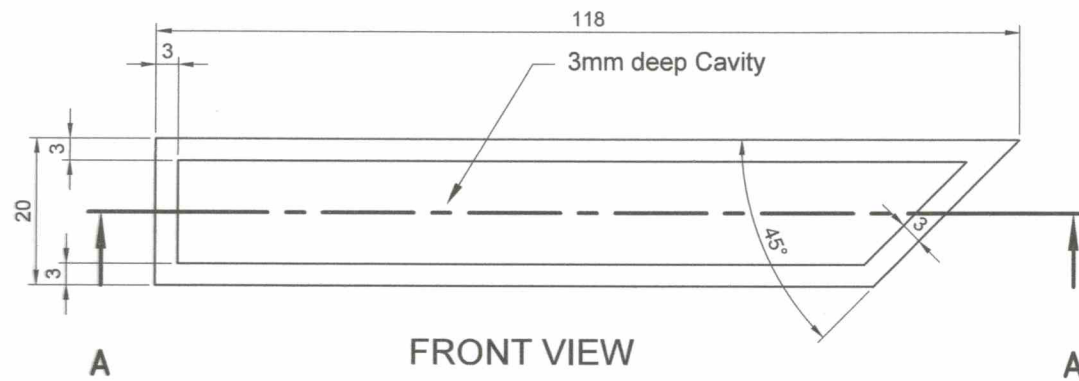
TOLERANCES FOR RADIUS & CHAMFERS					
Grade of Accuracy	Nominal Size	0.5 to 3	Over 3 to 6	Over 6 to 30	Over 30 to 120
Smooth		± 0.20	± 0.50	± 1.00	± 2.00
Medium					

SYM	REVISION	DATE	BY

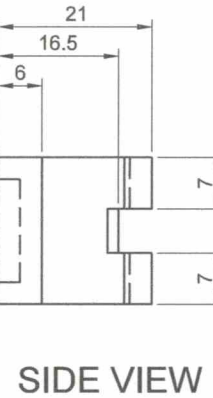
SCIKIT-MECHANICS



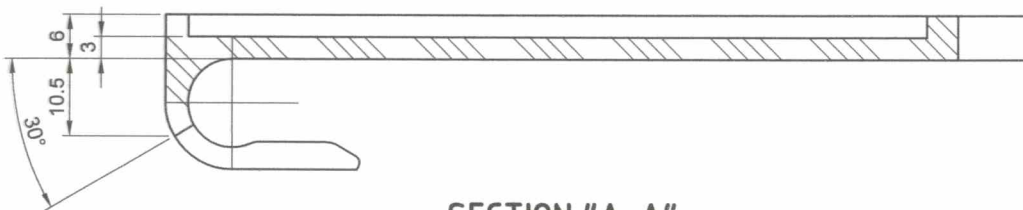
TOP VIEW



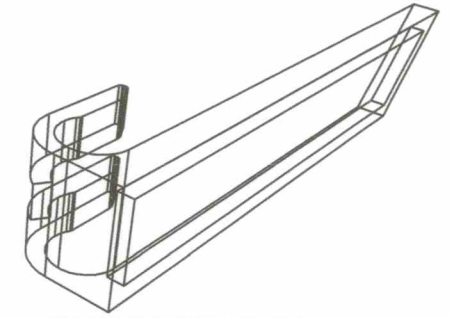
FRONT VIEW



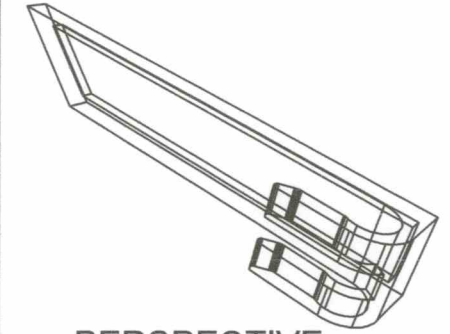
SIDE VIEW



SECTION "A-A"



PERSPECTIVE




PERSPECTIVE

*Dimensions are in millimeters except otherwise specified.
 *Smoothen sharp edges.
 *Surface Roughness: 1.0 to 1.2 Um
 GOVERNMENT PROPERTY

TOLERANCES FOR LENGTH GAUGING						
Grade of Accuracy	Nominal Size	0.5 to 3	Over 3 to 6	Over 6 to 30	Over 30 to 120	Over 120 to 400
Medium		± 0.10	± 0.10	± 0.20	± 0.30	± 0.50

TOLERANCES FOR RADIUS & CHAMFERS					
Grade of Accuracy	Nominal Size	0.5 to 3	Over 3 to 6	Over 6 to 30	Over 30 to 120
Smooth		± 0.20	± 0.50	± 1.00	± 2.00
Medium		± 0.20	± 0.50	± 1.00	± 2.00

SYM	REVISION	DATE	BY

Date	SEPT 2021	Scale	
Conceptualized by			
Drawn by	B.C. Lisondra	Item Name	POINTER
Designed by	J.N. Arioja	Material	ABS Thermoplastic, Color: RED
Checked by	A.B. Ybanez	Sheet	05
Recommended by	R. C. La Rosa	File name	meterpointer
Approved by		 DepED-BLR	