

SCIKIT-MECHANICS

Y-TERMINAL LUG

RCA PLUG

NEEDLE PROBE TERMINAL ROD

SYNCHRO BOX ASSEMBLY

GOVERNMENT PROPERTY

Date	SEPT 2021	Scale	NTS	FREE FALL APPRATUS	
Conceptualized by					
Drawn by	B.C. Lisondra	Checked by	J.N. Aioja	Item Name	SYNCHRO BOX
Designed by				Material	ASSEMBLY
Recommended by	A.B. Ybañez			Sheet	01
Approved by	R. C. La Rosa			File name	synchrobox assy

TOLERANCES FOR LENGTH GAUGING						
Grade of Accuracy	Nominal Size	0.5 to 3	Over 3 to 6	Over 6 to 30	Over 30 to 120	Over 120 to 400
Medium		± 0.10	± 0.10	± 0.20	± 0.30	± 0.50

TOLERANCES FOR RADIUS & CHAMFERS					
Grade of Accuracy	Nominal Size	0.5 to 3	Over 3 to 6	Over 6 to 30	Over 30 to 120
Smooth		± 0.20	± 0.50	± 1.00	± 2.00
Medium					

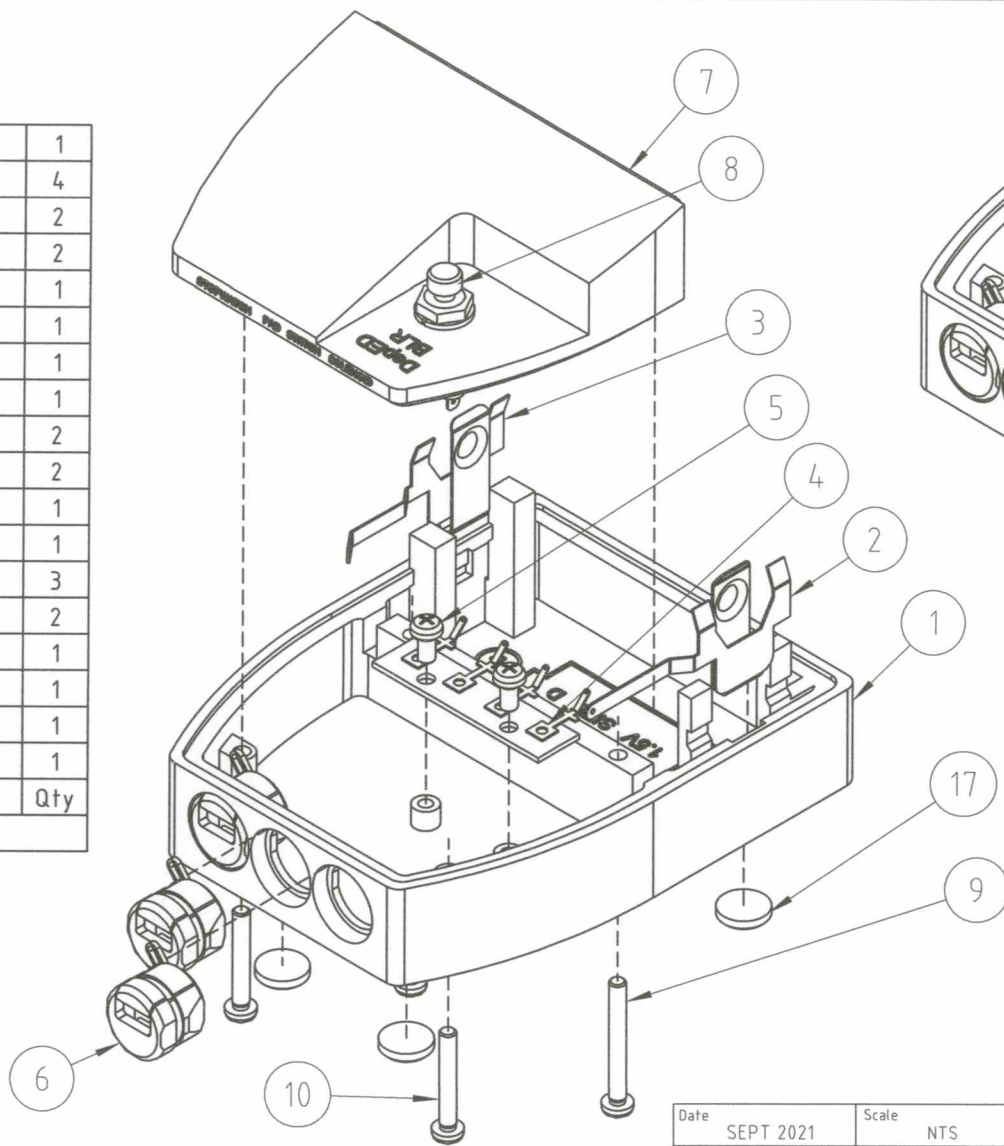
SYM	REVISION	DATE	BY



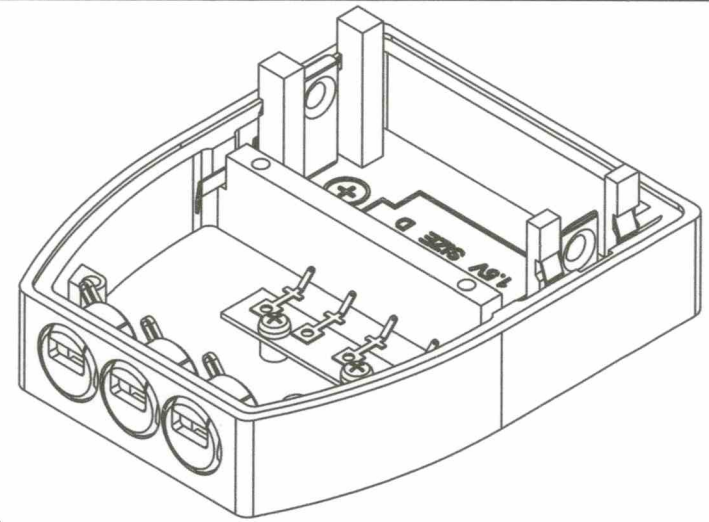
DepED-BLR

SCIKIT-MECHANICS

18	COVER-B	1
17	RUBBER SOLE	4
16	Y_CONNECTOR	2
15	NEEDLE PROBE ROD	2
14	RCA PLUG	1
13	HOOK-UP WIRE3	1
12	HOOK-UP WIRE2	1
11	HOOK-UP WIRE1	1
10	PAN HEAD SCREW - M3 X 20	2
9	PAN HEAD SCREW - M3 X 23	2
8	PUSH BUTTON SWITCH	1
7	COVER-A	1
6	WIRE HOLDER	3
5	PAN HEAD SCREW - M3 X 6	2
4	TERMINAL STRIP	1
3	BATTERY HOLDER (+)	1
2	BATTERY HOLDER (-)	1
1	BODY	1
Item	Name	Qty
Parts List		



EXPLODED ISOMETRIC



ISOMETRIC

GOVERNMENT PROPERTY

FREE FALL APPRATUS

Date	SEPT 2021	Scale	NTS
Conceptualized by			
Drawn by	B.C. Lisondra	Item Name	SYNCHRO BOX : ASSEMBLY DRAWING
Designed by	J.N. Arriola	Material	
Recommended by	A.B. Ybañez	Sheet	02
Approved by	R. C. La Rosa	File name	synchrobox assy

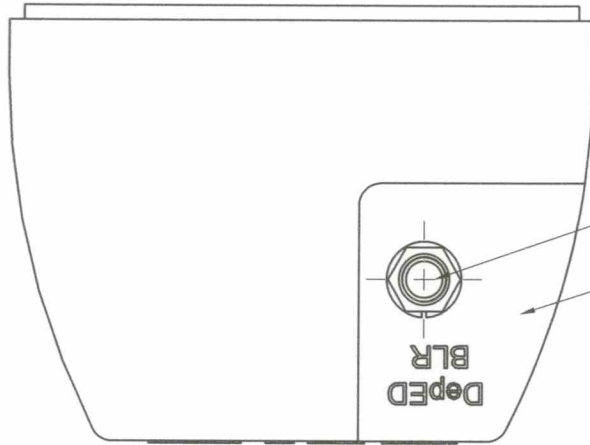


DepED-BLR

TOLERANCES FOR LENGTH GAUGING						
Grade of Accuracy	Nominal Size	0.5 to 3	Over 3 to 6	Over 6 to 30	Over 30 to 120	Over 120 to 400
Medium		± 0.10	± 0.10	± 0.20	± 0.30	± 0.50

TOLERANCES FOR RADIUS & CHAMFERS						
Grade of Accuracy	Nominal Size	0.5 to 3	Over 3 to 6	Over 6 to 30	Over 30 to 120	
Smooth		± 0.20	± 0.50	± 1.00	± 2.00	
Medium						

SYM	REVISION	DATE	BY

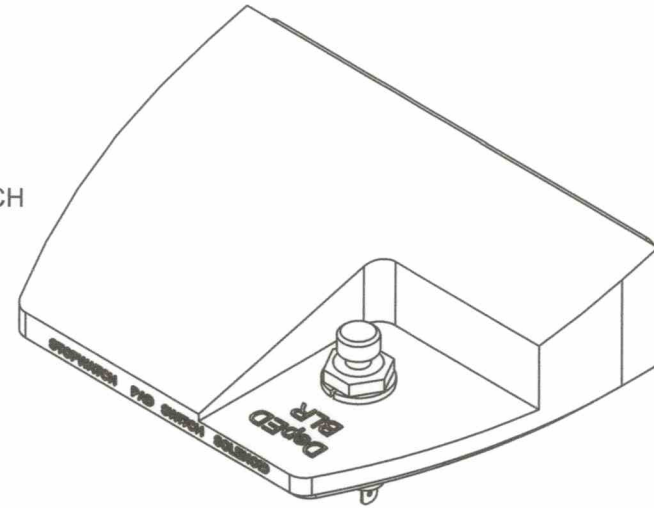


PUSH BUTTON SWITCH

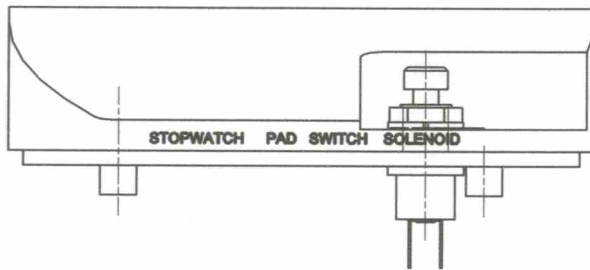
COVER-A

DepED
BLR

TOP VIEW



ISOMETRIC



FRONT VIEW

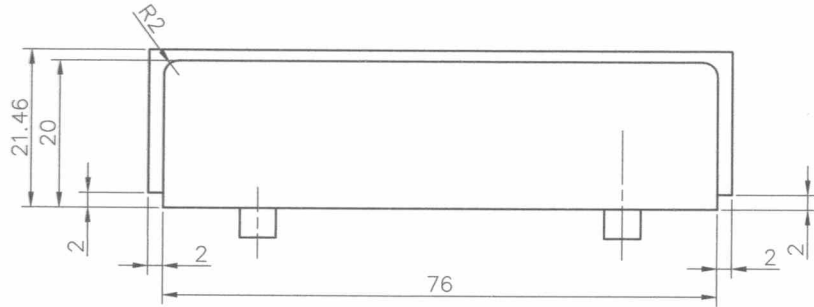
GOVERNMENT PROPERTY

Date	SEPT 2021	Scale	NTS	FREE FALL APPRATUS		
Conceptualized by						
Drawn by	B.C. Lisondra	Item Name	SYNCHRO BOX : COVER - A		Sheet	03
Designed by		Checked by	J.N. Arriola	Material	COVER-A WITH PUSH BUTTON SWITCH	
Recommended by	A.B. Ybañez	Approved by	R. C. La Rosa	 DepED-BLR		
File name	synchrobox assy					

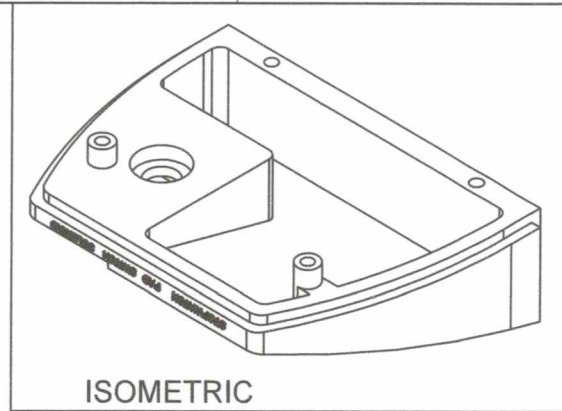
TOLERANCES FOR LENGTH GAUGING						
Grade of Accuracy	Nominal Size	0.5 to 3	Over 3 to 6	Over 6 to 30	Over 30 to 120	Over 120 to 400
Medium		± 0.10	± 0.10	± 0.20	± 0.30	± 0.50

TOLERANCES FOR RADIUS & CHAMFERS						
Grade of Accuracy	Nominal Size	0.5 to 3	Over 3 to 6	Over 6 to 30	Over 30 to 120	
Smooth Medium		± 0.20	± 0.50	± 1.00	± 2.00	

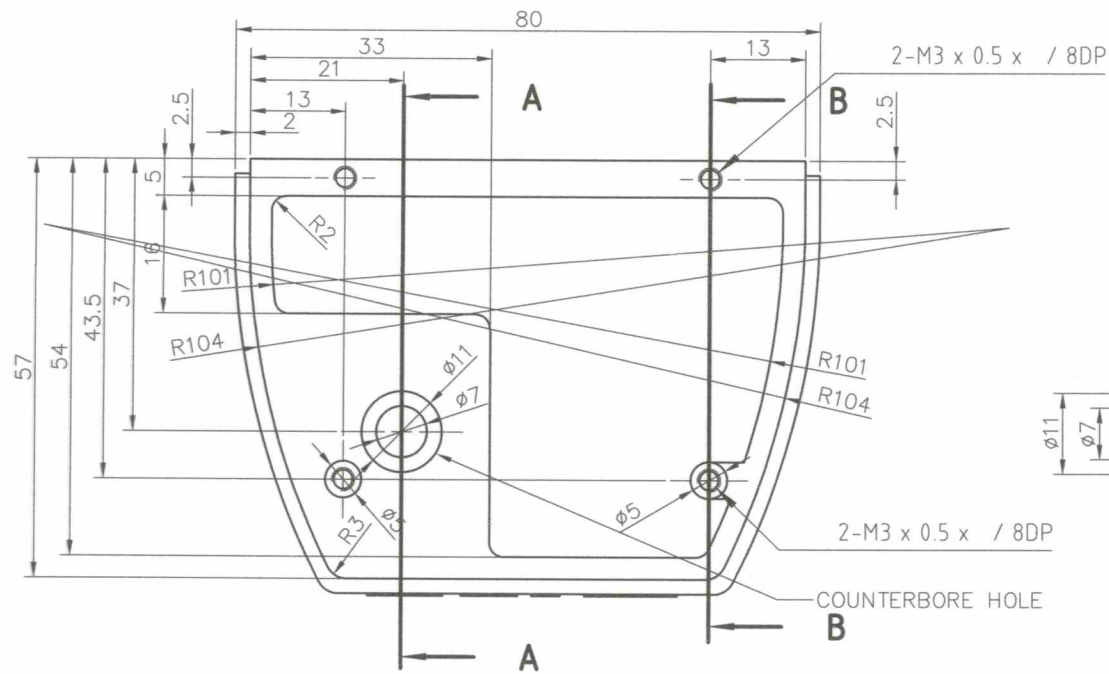
SYM	REVISION	DATE	BY



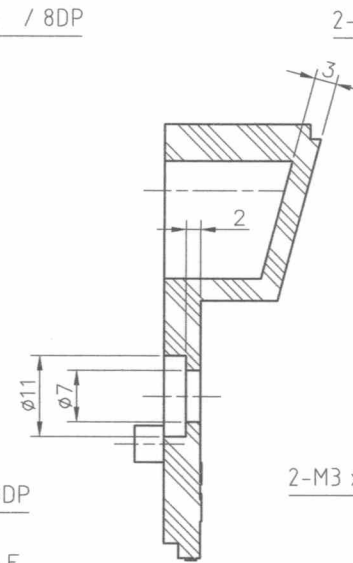
REAR VIEW



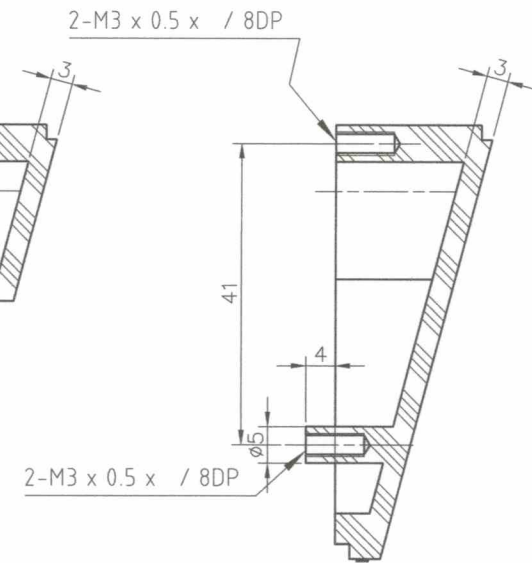
ISOMETRIC



BOTTOM VIEW



SECTION "A-A"



SECTION "B-B"

GOVERNMENT PROPERTY

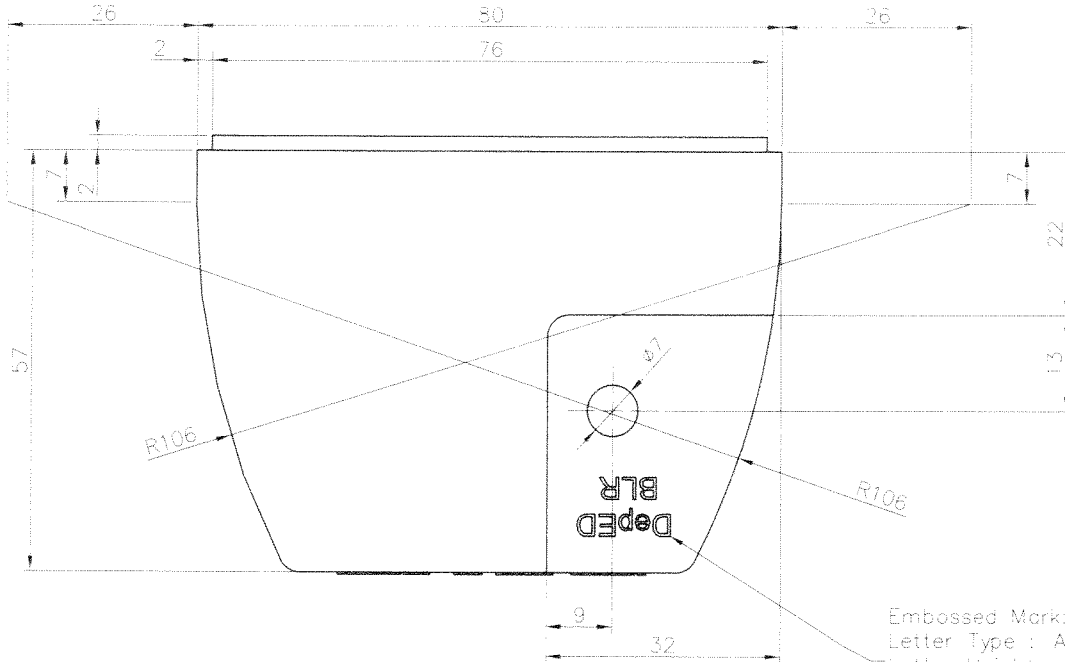
- NOTES:
 * Dimensions are in Millimeters.
 * Remove sharp edges.

TOLERANCES FOR LENGTH GAUGING						
Grade of Accuracy	Nominal Size	Over 0.5 to 3	Over 3 to 6	Over 6 to 30	Over 30 to 120	Over 120 to 400
Medium		± 0.10	± 0.10	± 0.20	± 0.30	± 0.50

TOLERANCES FOR RADIUS & CHAMFERS					
Grade of Accuracy	Nominal Size	Over 0.5 to 3	Over 3 to 6	Over 6 to 30	Over 30 to 120
Smooth		± 0.20	± 0.50	± 1.00	± 2.00
Medium		± 0.20	± 0.50	± 1.00	± 2.00

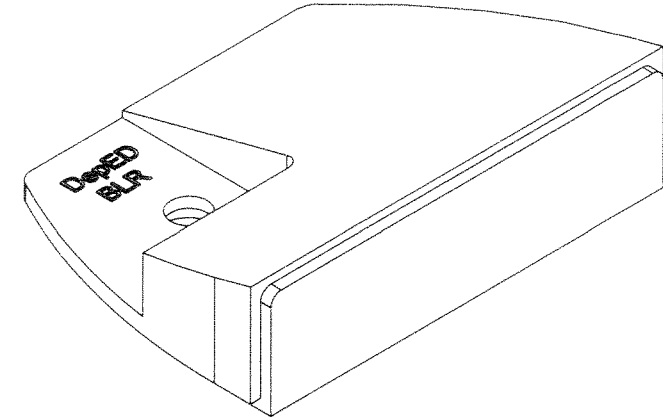
SYM	REVISION	DATE	BY

Date	SEPT 2021	Scale	NTS	FREE FALL APPRATUS	
Conceptualized by					
Drawn by	B.C. Lisondra	Checked by	J.N. Arriola	Item Name	SYNCHRO BOX : COVER - A
Designed by				Material	Polycarbonate Thermoplastic Color: transparent, clear
Recommended by	A.B. Ybanez			Sheet	04
Approved by	R. C. La Rosa			File name	synchrobox cover a
				 DepED-BLR	

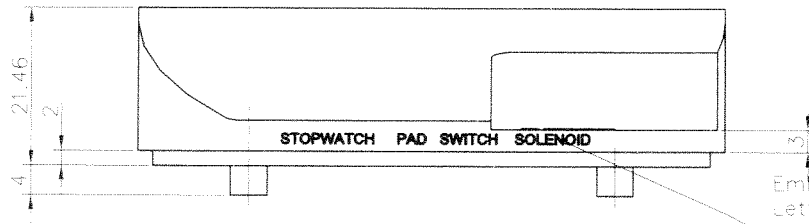


TOP VIEW

Embossed Mark: DepED/BLR
 Letter Type : Arial
 Letter Height : 3mm
 Embossed Height : 0.2mm

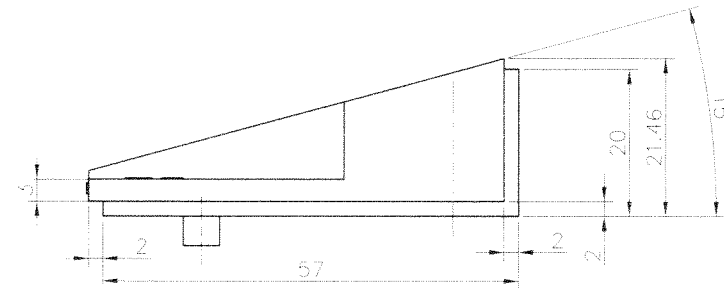


ISOMETRIC



FRONT VIEW

Embossed Mark:
 Letter type : Arial
 Letter Height : 1.5mm
 Embossed Height : 0.2mm



SIDE VIEW

GOVERNMENT PROPERTY

- NOTES:
 * Dimensions are in Millimeters.
 * Remove sharp edges.

TOLERANCES FOR LENGTH GAUGING						
Grade of Accuracy	Nominal Size	Over 0.5 to 3	Over 3 to 6	Over 6 to 30	Over 30 to 120	Over 120 to 400
Medium		± 0.10	± 0.10	± 0.20	± 0.30	± 0.50

TOLERANCES FOR RADIUS & CHAMFERS					
Grade of Accuracy	Nominal Size	Over 0.5 to 3	Over 3 to 6	Over 6 to 30	Over 30 to 120
Smooth		± 0.20	± 0.50	± 1.00	± 2.00
Medium					

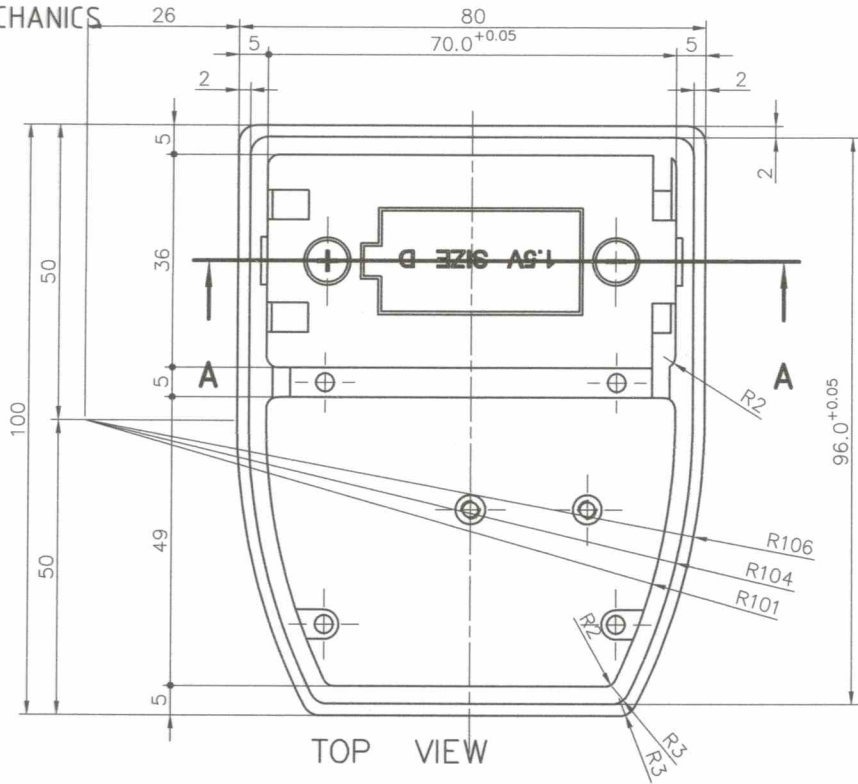
SYM	REVISION	DATE	BY

Date	SEPT 2021	Scale	NTS	FREE FALL APPRATUS	
Conceptualized by					
Drawn by	B.C. Lisondra	Checked by	J.N. [Signature]	Item Name	SYNCHRO BOX : COVER - A
Designed by		Material	Polycarbonate Thermoplastic	Color:	transparent, clear
Recommended by	AB Ybanez	Approved by	R.C. La Rosa	Sheet	05
				File name	synchrobox cover.a

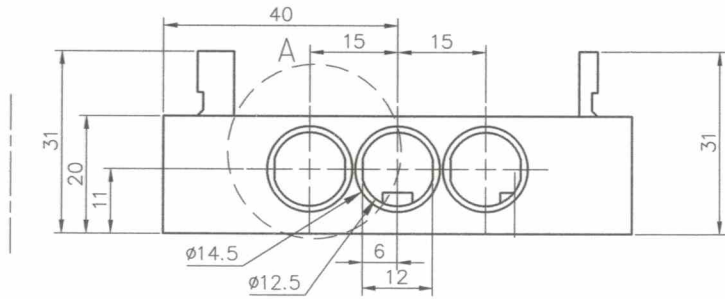


DepED-BLR

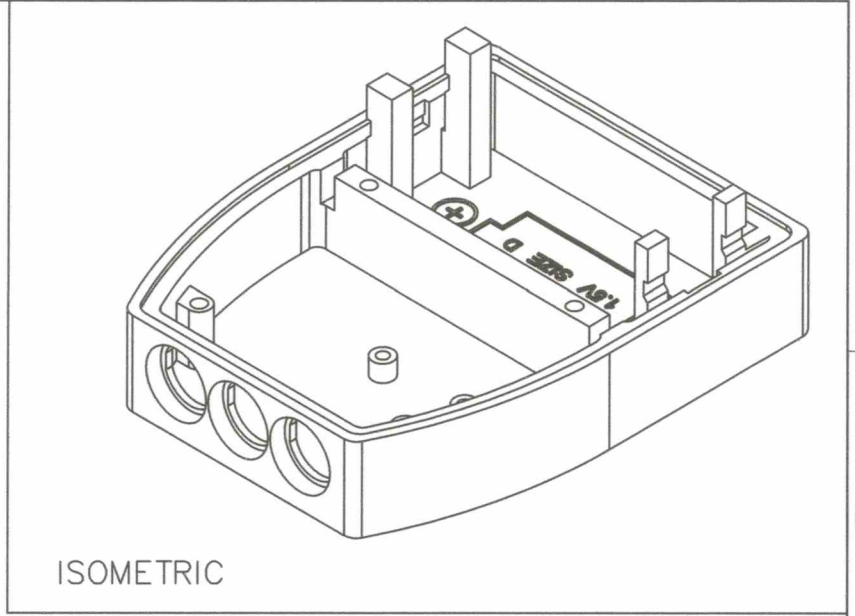
SCIKIT-MECHANICS



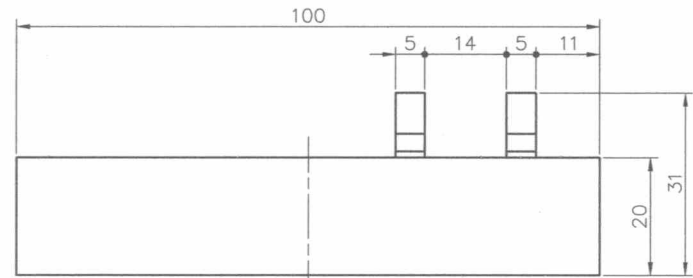
TOP VIEW



FRONT VIEW



ISOMETRIC



SIDE VIEW

GOVERNMENT PROPERTY

NOTES:

- * Dimensions are in Millimeters.
- * Remove sharp edges.

TOLERANCES FOR LENGTH GAUGING

Grade of Accuracy	Nominal Size	0.5 to 3	Over 3 to 6	Over 6 to 30	Over 30 to 120	Over 120 to 400
Medium		± 0.10	± 0.10	± 0.20	± 0.30	± 0.50

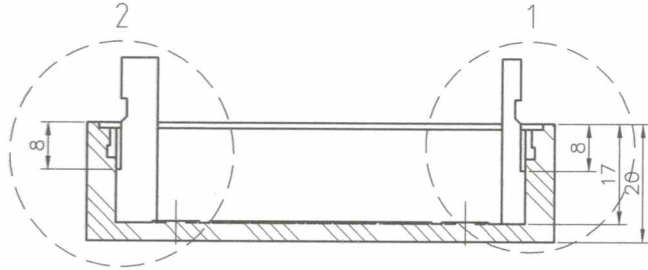
TOLERANCES FOR RADIUS & CHAMFERS

Grade of Accuracy	Nominal Size	0.5 to 3	Over 3 to 6	Over 6 to 30	Over 30 to 120
Smooth Medium		± 0.20	± 0.50	± 1.00	± 2.00

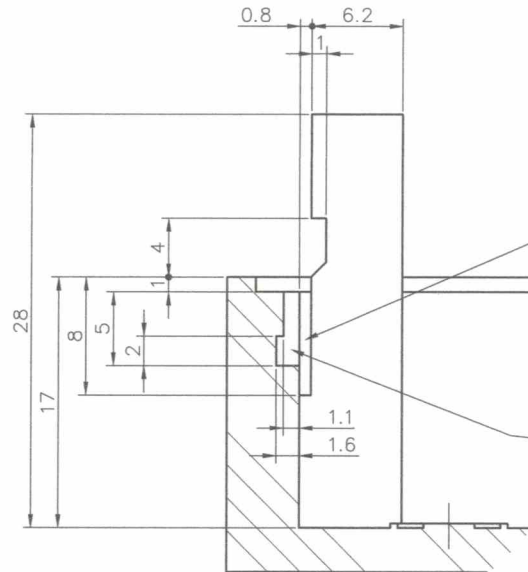
SYM	REVISION	DATE	BY

Date	SEPT 2021	Scale	NTS	FREE FALL APPRATUS		
Conceptualized by						
Drawn by	B.C. Lisondra	Item Name	SYNCHRO BOX - BODY		Sheet	06
Designed by	J.C. Checked by	Material	ABS Thermoplastic, Color : RED		File name	synchrobox body
Recommended by	J.N. Arjoia					
Approved by	A.B. Ybañez					
	R. C. La Rosa	DepED-BLR				

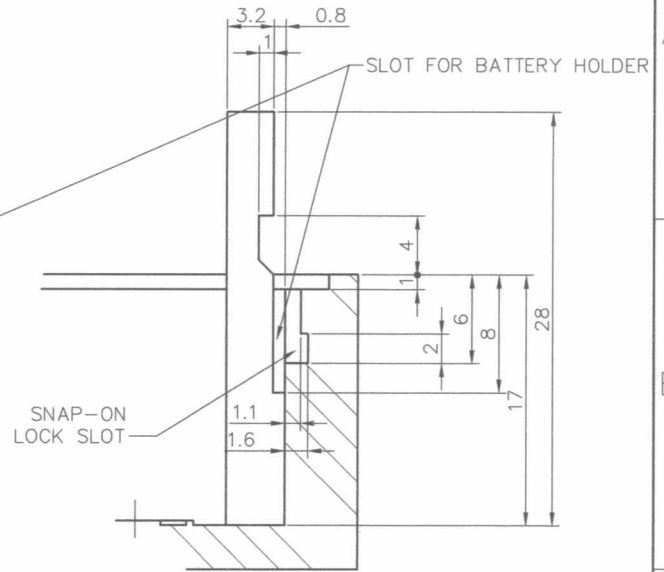
SCIKIT-MECHANICS



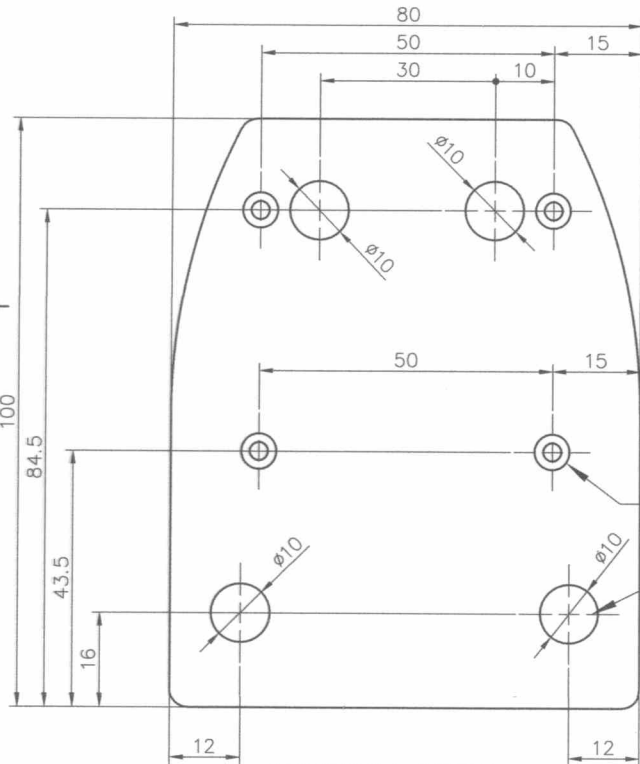
SECTION A-A



DETAIL 2 (2:1)



DETAIL 1 (2:1)



BOTTOM VIEW

4 - $\phi 3.1 \times \phi 6.0 \times 2.0$ mm
CTRBORE, HOLE THROUGH

4 - 0.5MM DEEP CUT
FOR RUBBER SOLE

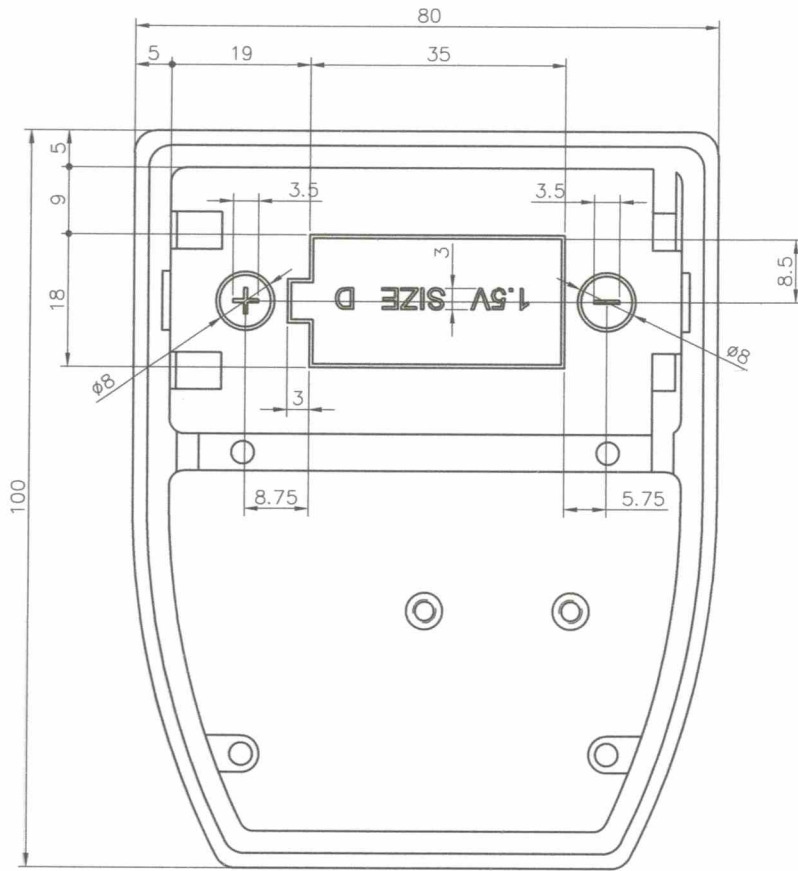
GOVERNMENT PROPERTY

Date	SEPT 2021	Scale	NTS	FREE FALL APPRATUS	
Conceptualized by					
Drawn by	B.C. Lisondra	Item Name	SYNCHRO BOX - BODY		Sheet
Designed by		Material	ABS Thermoplastic, Color : RED		07
Q.C. Checked by	J.N. Arjoja	File name	synchrobox body		
Recommended by	A.B. Ybañez	 DepED-BLR			
Approved by	R. C. La Rosa				

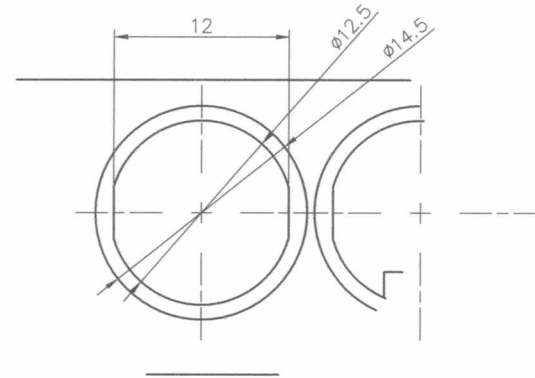
TOLERANCES FOR LENGTH GAUGING						
Grade of Accuracy	Nominal Size	0.5 to 3	Over 3 to 6	Over 6 to 30	Over 30 to 120	Over 120 to 400
Medium		± 0.10	± 0.10	± 0.20	± 0.30	± 0.50

TOLERANCES FOR RADIUS & CHAMFERS					
Grade of Accuracy	Nominal Size	0.5 to 3	Over 3 to 6	Over 6 to 30	Over 30 to 120
Smooth		± 0.20	± 0.50	± 1.00	± 2.00
Medium		± 0.20	± 0.50	± 1.00	± 2.00

SYM	REVISION	DATE	BY



TOP VIEW



DETAIL "A"

GOVERNMENT PROPERTY

FREE FALL APPRATUS

Date	SEPT 2021	Scale	NTS
Conceptualized by			
Drawn by	B.C. Lisondra	Item Name	SYNCHRO BOX - BODY
Designed by	J.C. (Checked by)	Material	ABS Thermoplastic, Color : RED
Recommended by	A.B. Ybanez	Sheet	08
Approved by	R. C. La Rosa	File name	synchrobox body

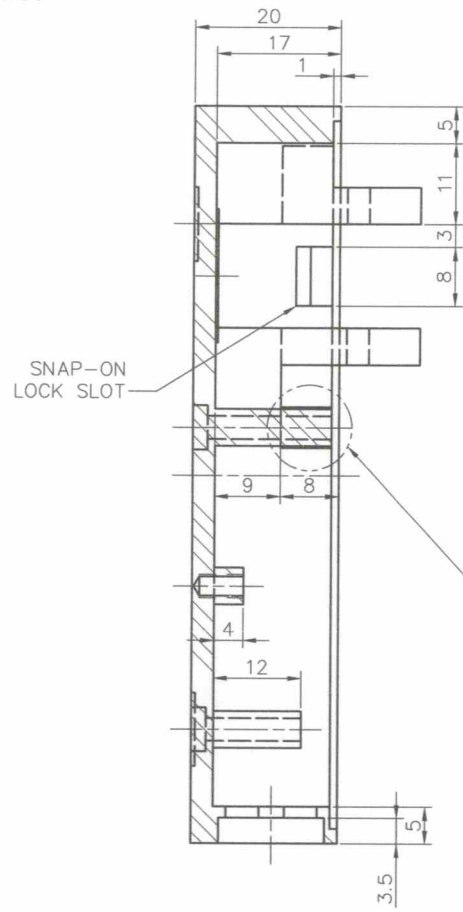


DepED-BLR

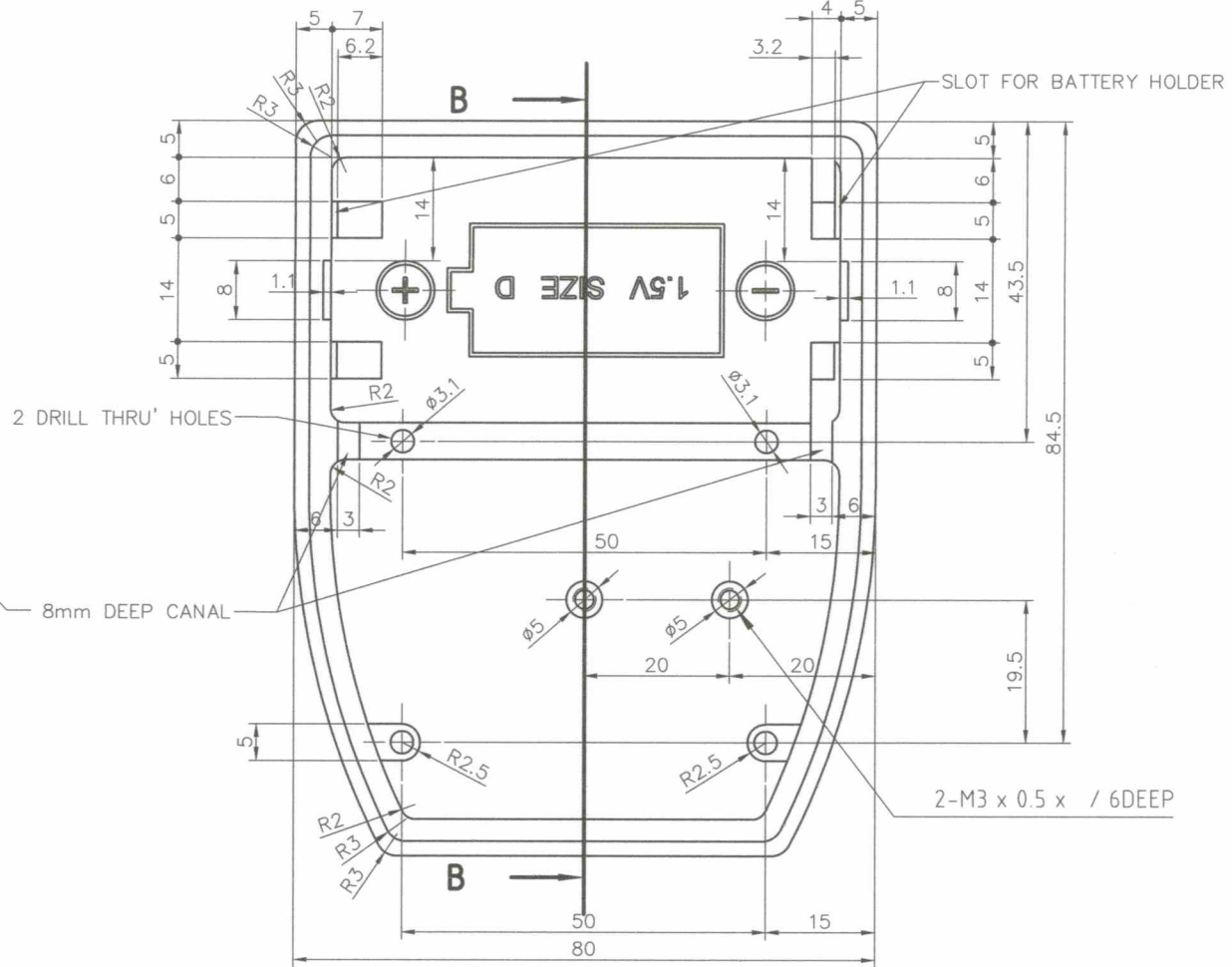
TOLERANCES FOR LENGTH GAUGING						
Grade of Accuracy	Nominal Size	0.5 to 3	Over 3 to 6	Over 6 to 30	Over 30 to 120	Over 120 to 400
Medium		± 0.10	± 0.10	± 0.20	± 0.30	± 0.50

TOLERANCES FOR RADIUS & CHAMFERS					
Grade of Accuracy	Nominal Size	0.5 to 3	Over 3 to 6	Over 6 to 30	Over 30 to 120
Smooth Medium		± 0.20	± 0.50	± 1.00	± 2.00

SYM	REVISION	DATE	BY



SECTION B-B



TOP VIEW

GOVERNMENT PROPERTY

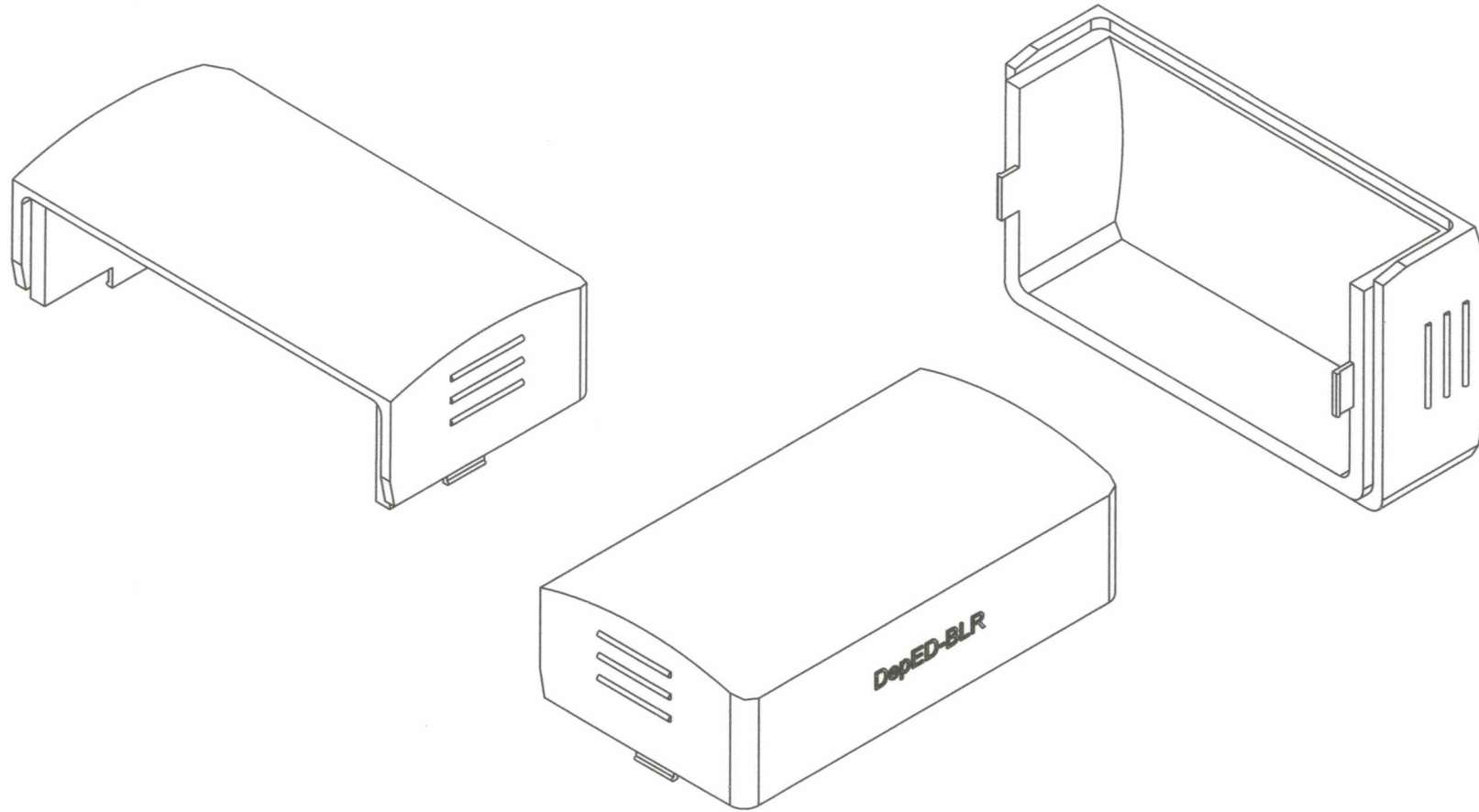
FREE FALL APPRATUS

Date	SEPT 2021	Scale	NTS
Conceptualized by			
Drawn by	B.C. Lisondra	Item Name	SYNCHRO BOX - BODY
Designed by	J.N. Alvarez	Material	ABS Thermoplastic, Color : RED
Recommended by	A.B. Ybanez	File name	synchrobox body
Approved by	R. C. La Rosa	 <p>DepED-BLR</p>	

TOLERANCES FOR LENGTH GAUGING						
Grade of Accuracy	Nominal Size	0.5 to 3	Over 3 to 6	Over 6 to 30	Over 30 to 120	Over 120 to 400
Medium		± 0.10	± 0.10	± 0.20	± 0.30	± 0.50

TOLERANCES FOR RADIUS & CHAMFERS					
Grade of Accuracy	Nominal Size	0.5 to 3	Over 3 to 6	Over 6 to 30	Over 30 to 120
Smooth		± 0.20	± 0.50	± 1.00	± 2.00

SYM	REVISION	DATE	BY



ISOMETRIC

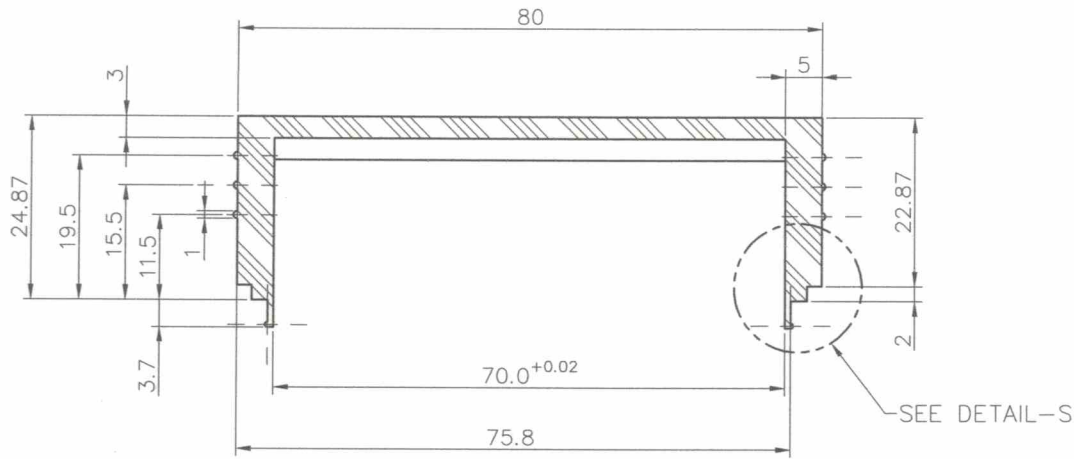
GOVERNMENT PROPERTY

Date	SEPT 2021	Scale	NTS	FREE FALL APPRATUS	
Conceptualized by					
Drawn by	B.C. Lisondra	Checked by	J.N. Arriola	Item Name	SYNCHRO BOX : COVER - B
Designed by		Recommended by	A.B. Ybanez	Material	Polycarbonate Thermoplastic, Color : Clear
Approved by	R. C. La Rosa	BY		Sheet	10
				File name	synchrobox cover b
				 DepED-BLR	

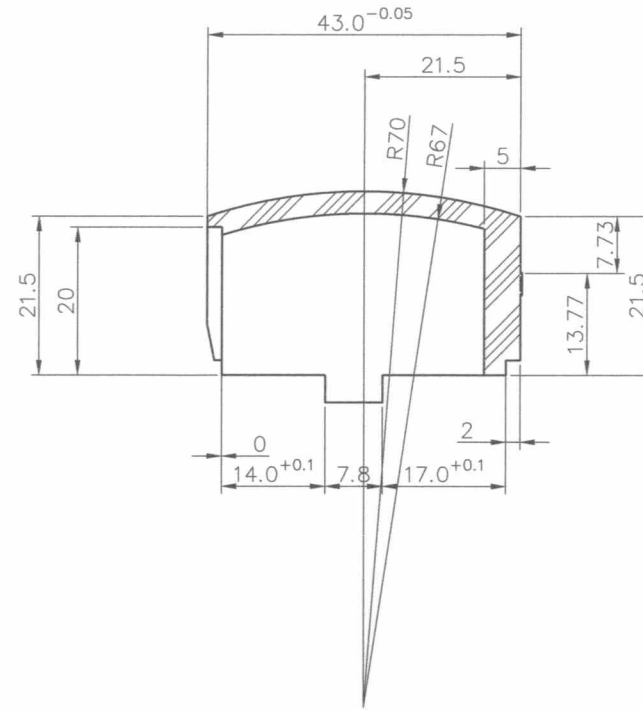
TOLERANCES FOR LENGTH GAUGING						
Grade of Accuracy	Nominal Size	0.5 to 3	Over 3 to 6	Over 6 to 30	Over 30 to 120	Over 120 to 400
Medium		± 0.10	+ 0.10	+ 0.20	± 0.30	± 0.50

TOLERANCES FOR RADIUS & CHAMFERS					
Grade of Accuracy	Nominal Size	0.5 to 3	Over 3 to 6	Over 6 to 30	Over 30 to 120
Smooth Medium		± 0.20	± 0.50	± 1.00	± 2.00

SYM	REVISION	DATE	BY



SECTION A-A



SECTION B-B

NOTES:


- * Dimensions are in Millimeters.
- * Remove sharp edges.

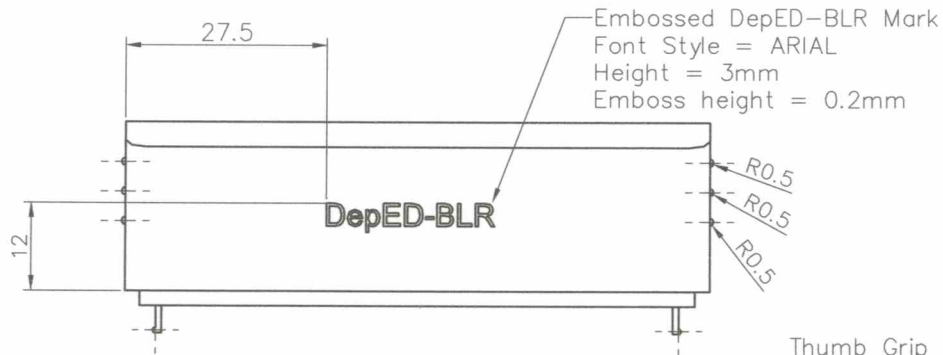
TOLERANCES FOR LENGTH GAUGING						
Grade of Accuracy	Nominal Size	Over 0.5 to 3	Over 3 to 6	Over 6 to 30	Over 30 to 120	Over 120 to 400
Medium		± 0.10	± 0.10	± 0.20	± 0.30	± 0.50

TOLERANCES FOR RADIUS & CHAMFERS					
Grade of Accuracy	Nominal Size	Over 0.5 to 3	Over 3 to 6	Over 6 to 30	Over 30 to 120
Smooth		± 0.20	± 0.50	± 1.00	± 2.00
Medium					

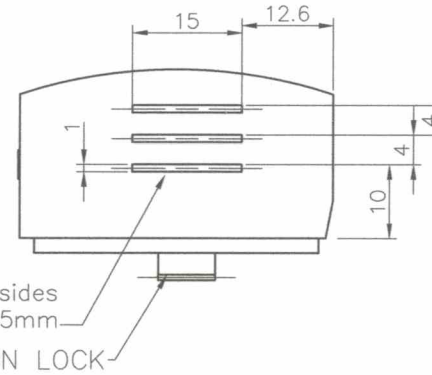
SYM	REVISION	DATE	BY

GOVERNMENT PROPERTY

Date	SEPT 2021	Scale	NTS	FREE FALL APPRATUS		
Conceptualized by						
Drawn by	B.C. Lisondre	Item Name	SYNCHRO BOX : COVER - B		Sheet	12
Designed by	J.C. Checked by	Material	Polycarbonate Thermoplastic		File name	synchrobox cover b
Recommended by	J.N. Aboja	Color: Transparent, Clear		 DepED-BLR		
Approved by	A.B. Ybanez					
	R. C. La Roca					



REAR VIEW



SIDE VIEW

NOTES:
* Dimensions are in Millimeters.
* Remove sharp edges.

TOLERANCES FOR LENGTH GAUGING						
Grade of Accuracy	Nominal Size	0.5 to 3	Over 3 to 6	Over 6 to 30	Over 30 to 120	Over 120 to 400
Medium		± 0.10	± 0.10	+ 0.20	± 0.30	± 0.50

TOLERANCES FOR RADIUS & CHAMFERS					
Grade of Accuracy	Nominal Size	0.5 to 3	Over 3 to 6	Over 6 to 30	Over 30 to 120
Smooth		± 0.20	± 0.50	± 1.00	± 2.00
Medium					

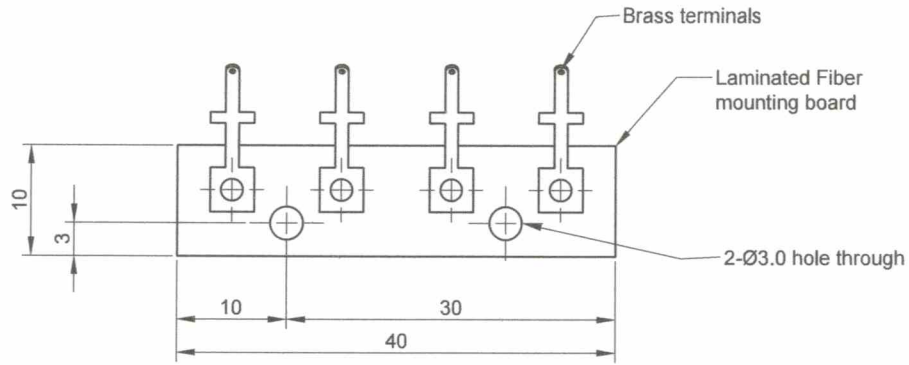
SYM	REVISION	DATE	BY

Date	SEPT 2021	Scale	NTS	FREE FALL APPRATUS		
Conceptualized by						
Drawn by	B.C. Lisondra	Item Name	SYNCHRO BOX : COVER - B		Sheet	13
Designed by	Q.C. Checked by	Material	Polycarbonate Thermoplastic		File name	synchrobox cover b
Recommended by	J.N. Arina	Color: Transparent, Clear		 DepED-BLR		
Approved by	A.B. Ybanez					
	R. C. La Rosa					

GOVERNMENT PROPERTY



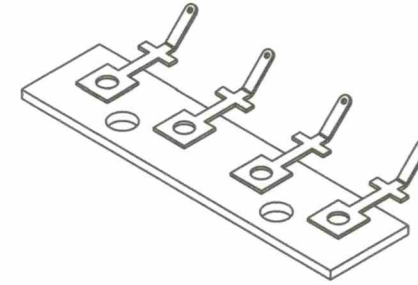
DepED-BLR



TOP VIEW



FRONT VIEW



ISOMETRIC



SIDE VIEW

GOVERNMENT PROPERTY

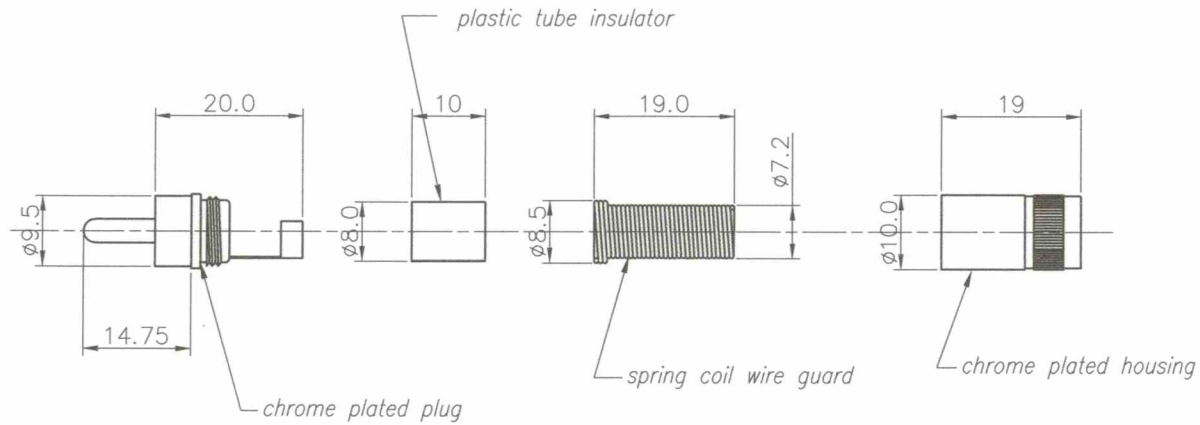
FREE FALL APPRATUS

TOLERANCES FOR LENGTH GAUGING						
Grade of Accuracy	Nominal Size	0.5 to 3	Over 3 to 6	Over 6 to 30	Over 30 to 120	Over 120 to 400
Medium		± 0.10	± 0.10	± 0.20	± 0.30	± 0.50

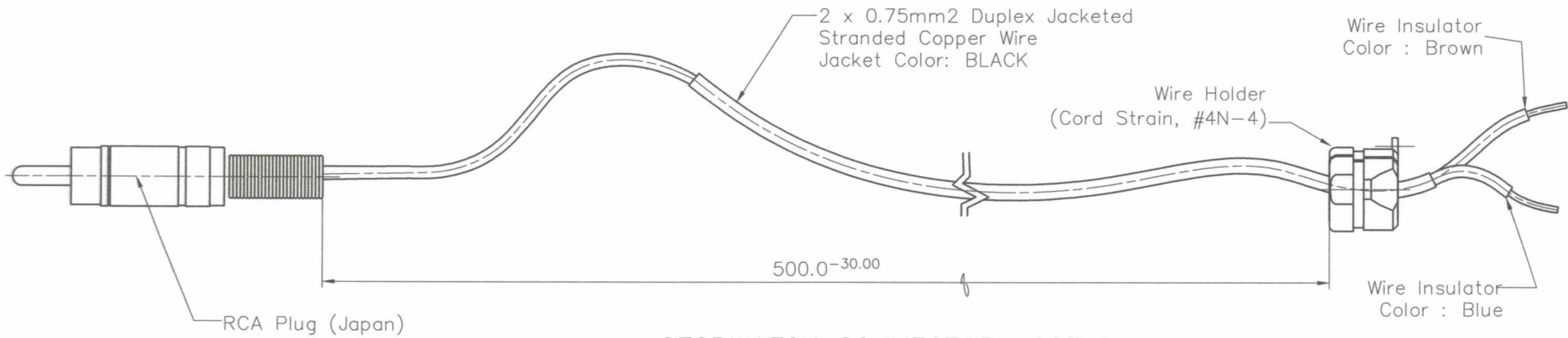
TOLERANCES FOR RADIUS & CHAMFERS					
Grade of Accuracy	Nominal Size	0.5 to 3	Over 3 to 6	Over 6 to 30	Over 30 to 120
Smooth		± 0.20	± 0.50	± 1.00	± 2.00
Medium					

SYM	REVISION	DATE	BY

Date	SEPT 2021	Scale	NTS
Conceptualized by			
Drawn by	B.C. Lisondra	Q.C. Checked by	J.N. Anjoja
Designed by			Recommended by
		Approved by	R. C. La Rosa
Item Name	SYNCHRO BOX : TERMINAL STRIP		Sheet
Material	(Market Item)		14
			File name
			synchrobox terminal strip
			<p>DepED-BLR</p>



RCA Plug (Japan)



STOPWATCH CONNECTOR ASSEMBLY

NOTES:
 * Dimensions are in Millimeters.
 * Remove sharp edges.

TOLERANCES FOR LENGTH GAUGING						
Grade of Accuracy	Nominal Size	0.5 to 3	Over 3 to 6	Over 6 to 30	Over 30 to 120	Over 120 to 400
Medium		± 0.10	± 0.10	± 0.20	± 0.30	± 0.50

TOLERANCES FOR RADIUS & CHAMFERS					
Grade of Accuracy	Nominal Size	0.5 to 3	Over 3 to 6	Over 6 to 30	Over 30 to 120
Smooth		± 0.20	± 0.50	± 1.00	± 2.00
Medium					

SYM	REVISION	DATE	BY

Date	SEPT 2021	Scale	NTS	FREE FALL APPRATUS	
Conceptualized by					
Drawn by	B.C. Lisondra	Item Name	SYNCHRO BOX : STOPWATCH CONNECTOR		Sheet 15
Designed by		Q.C. Checked by	Material (AS SPECIFIED)		File name synchrobox stopwatch conn
Recommended by	A.B. Ybañez	J.N. Ariza	 DepED-BLR		
Approved by	R. C. La Rosa				

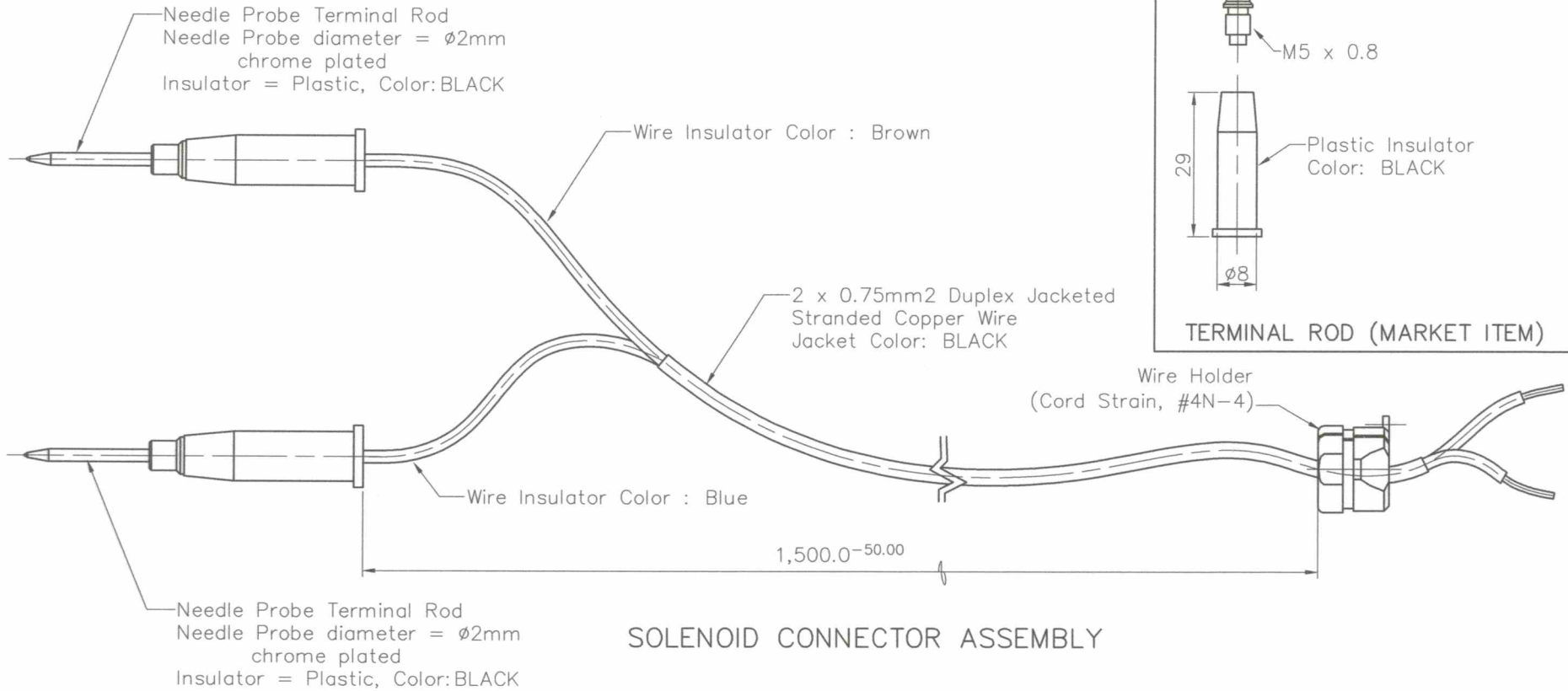
GOVERNMENT PROPERTY

FREE FALL APPRATUS

Item Name
SYNCHRO BOX : STOPWATCH CONNECTOR
 Sheet 15
 Material
(AS SPECIFIED)
 File name
 synchrobox stopwatch conn



DepED-BLR



SOLENOID CONNECTOR ASSEMBLY

GOVERNMENT PROPERTY

NOTES:
 * Dimensions are in Millimeters.
 * Remove sharp edges.

TOLERANCES FOR LENGTH GAUGING						
Grade of Accuracy	Nominal Size	0.5 to 3	Over 3 to 6	Over 6 to 30	Over 30 to 120	Over 120 to 400
Medium		± 0.10	± 0.10	± 0.20	± 0.30	± 0.50

TOLERANCES FOR RADIUS & CHAMFERS						
Grade of Accuracy	Nominal Size	0.5 to 3	Over 3 to 6	Over 6 to 30	Over 30 to 120	
Smooth		± 0.20	± 0.50	± 1.00	± 2.00	
Medium						

SYM	REVISION	DATE	BY

Date	SEPT 2021	Scale	NTS
Conceptualized by			
Drawn by	B.C. Lisondra	Item Name	SYNCHRO BOX : SOLENOID CONNECTOR
Designed by	B.C. Lisondra	Material	AS SPECIFIED
Checked by	J.N. Arcaja	Sheet	16
Recommended by	A.B. Ybañez	File name	synchrobox solenoid conn
Approved by	R. C. La Rosa	 DepED-BLR	

SCIKIT-MECHANICS

1 2 3 4 5 6

A

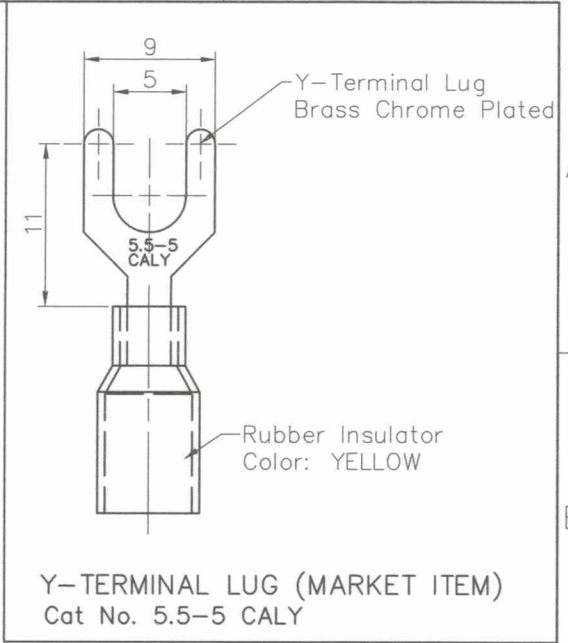
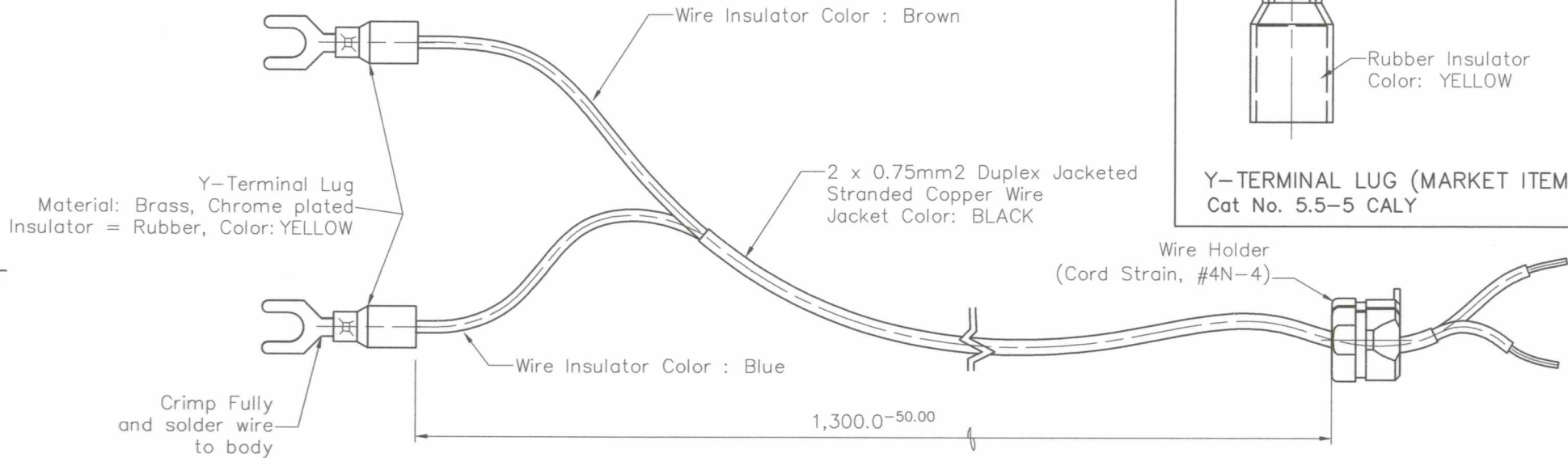
B

C

A

B

C



PADSWITCH CONNECTOR ASSEMBLY


GOVERNMENT PROPERTY

NOTES:
 * Dimensions are in Millimeters.
 * Remove sharp edges.

TOLERANCES FOR LENGTH GAUGING						
Grade of Accuracy	Nominal Size	0.5 to 3	Over 3 to 6	Over 6 to 30	Over 30 to 120	Over 120 to 400
Medium		± 0.10	± 0.10	± 0.20	± 0.30	± 0.50

TOLERANCES FOR RADIUS & CHAMFERS					
Grade of Accuracy	Nominal Size	0.5 to 3	Over 3 to 6	Over 6 to 30	Over 30 to 120
Smooth		± 0.20	± 0.50	± 1.00	± 2.00
Medium					

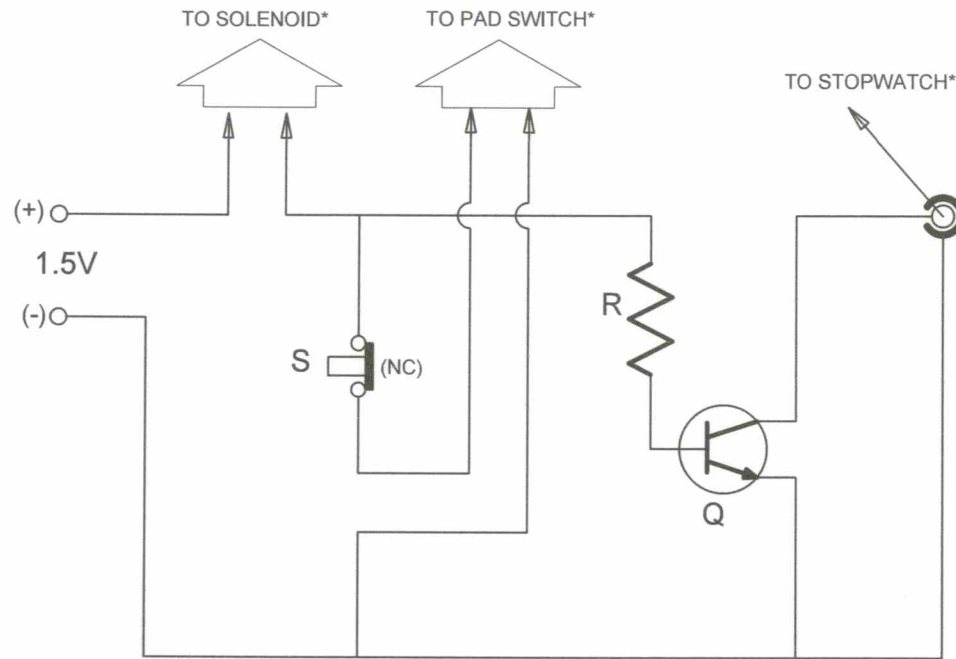
SYM	REVISION	DATE	BY

Date	SEPT 2021	Scale	NTS	FREE FALL APPRATUS		
Conceptualized by						
Drawn by	B.C. Lisondra	Item Name	SYNCHRO BOX : PAD SWITCH CONNECTOR		Sheet	17
Designed by		Material	AS SPECIFIED		File name	synchrobox padswitch conn
Q.C. Checked by	J.N. Artoja	 DepED-BLR				
Recommended by	A.B. Ybanez					
Approved by	R. C. La Rosa					

D

D

1 2 3 4 5 6



PARTS LIST


Item	Description	Quantity
1	Transistor (Semiconductor) Q = NA11< NPN 0.6w, 20V 50MHz (TO 92)	1 pc
2	Resistor R = 15K, 1/4W, ±5% Tolerance Carbon Film Type	1 pc
3	S = Push Button Switch NC (Normally Closed) as per sample	1 pc
4	RCA Plug (Japan) as per sample	1 pc
5	Hook-up wire, AWG #26 Copper wire	30 cm
6	Size-D, 1.5V, Battery	1 pc

SCHEMATIC DIAGRAM

LEGEND:
* see detailed drawing

NOTE: Use shrinkable insulators
in insulating connected
"bare" wire endings.

GOVERNMENT PROPERTY

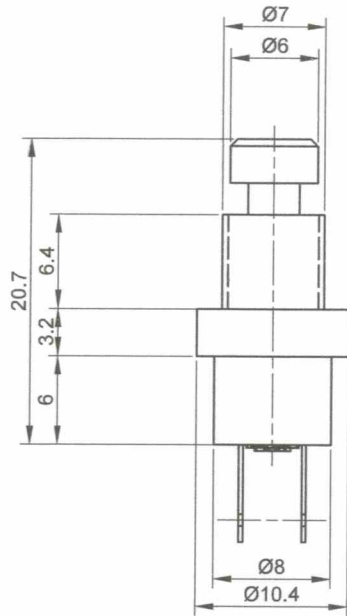
Date	SEPT 2021	Scale	NTS	<h1>FREE FALL APPRATUS</h1>		
Conceptualized by						
Drawn by	B.C. Lisondra	Item Name	SYNCHRO BOX SCHEMATIC DIAGRAM		Sheet	18
Designed by		Checked by	J.N. Artoja	Material	File name synchrobox schematic diag	
Recommended by	A.B. Ybañez			<h2>DepED-BLR</h2>		
Approved by	R. C. La Rosa					

TOLERANCES FOR LENGTH GAUGING						
Grade of Accuracy	Nominal Size	0.5 to 3	Over 3 to 6	Over 6 to 30	Over 30 to 120	Over 120 to 400
Medium		± 0.10	± 0.10	± 0.20	± 0.30	± 0.50

TOLERANCES FOR RADIUS & CHAMFERS						
Grade of Accuracy	Nominal Size	0.5 to 3	Over 3 to 6	Over 6 to 30	Over 30 to 120	
Smooth		± 0.20	± 0.50	± 1.00	± 2.00	
Medium						

SYM	REVISION	DATE	BY

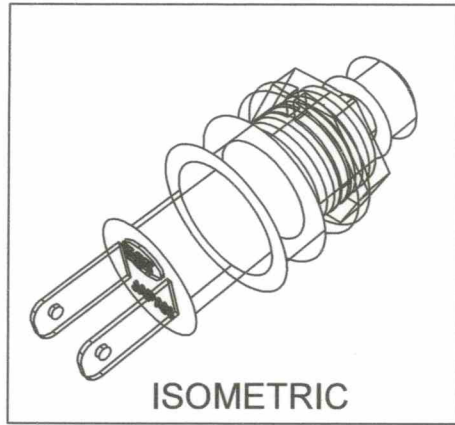
SCIKIT-MECHANICS



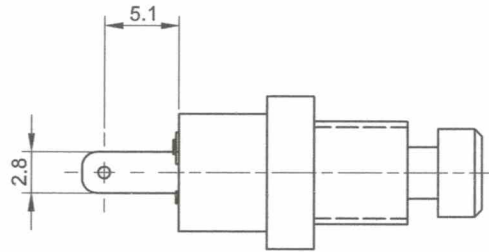
TOP VIEW



FRONT VIEW

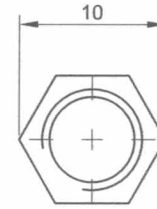


ISOMETRIC



SIDE VIEW

PUSH BUTTON SWITCH
 Material: Plastic Housing
 Feature: Normally Closed (NC)
 Source: EST - Japan

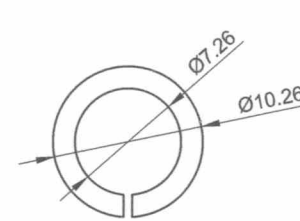


FRONT VIEW

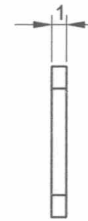


SIDE VIEW

LOCK NUT
 Material: Steel
 Finish: Chrome Plated



FRONT VIEW



SIDE VIEW

SPRING WASHER
 Material: Steel
 Finish: Chrome Plated

GOVERNMENT PROPERTY

TOLERANCES FOR LENGTH GAUGING						
Grade of Accuracy	Nominal Size	0.5 to 3	Over 3 to 6	Over 6 to 30	Over 30 to 120	Over 120 to 400
Medium		± 0.10	± 0.10	± 0.20	± 0.30	± 0.50

TOLERANCES FOR RADIUS & CHAMFERS					
Grade of Accuracy	Nominal Size	0.5 to 3	Over 3 to 6	Over 6 to 30	Over 30 to 120
Smooth		± 0.20	± 0.50	± 1.00	± 2.00
Medium		± 0.20	± 0.50	± 1.00	± 2.00

SYM	REVISION	DATE	BY

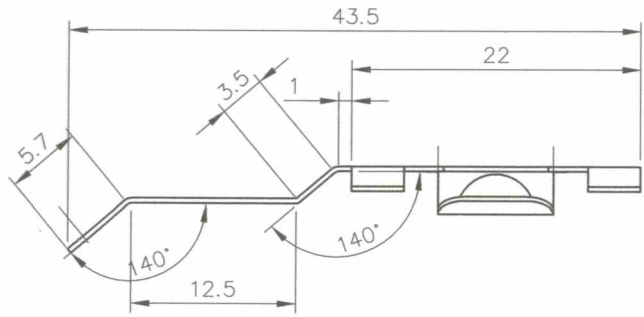
Date	SEPT 2021	Scale	NTS
Conceptualized by			
Drawn by	B.C. Lisondra	Checked by	J.N. Anoja
Designed by			
Recommended by	A.B. Ybañez		
Approved by	R. C. La Rosa		

FREE FALL APPRATUS	
Item Name	SYNCHRO BOX : PUSH BUTTON SWITCH
Material	AS SPECIFIED
Sheet	19
File name	synchrobox switch

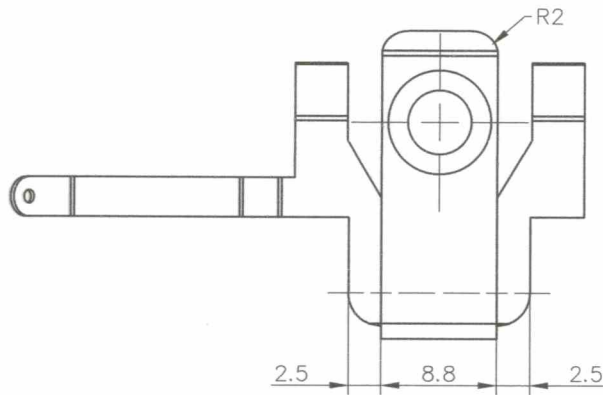


DepED-BLR

SCIKIT-MECHANICS

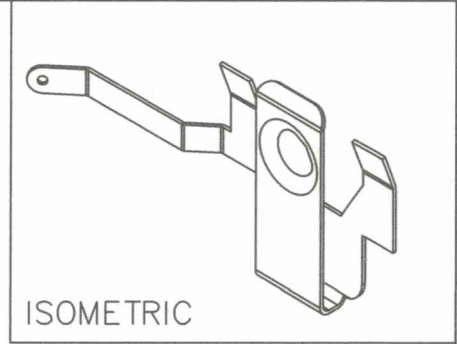


TOP VIEW

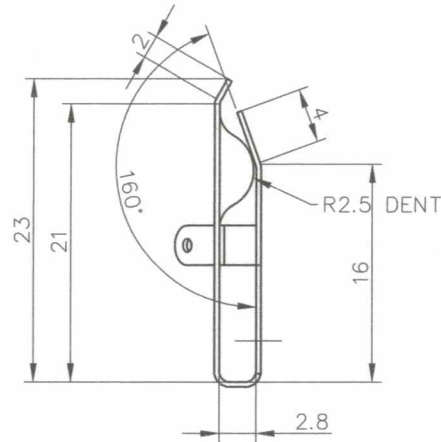


FRONT VIEW

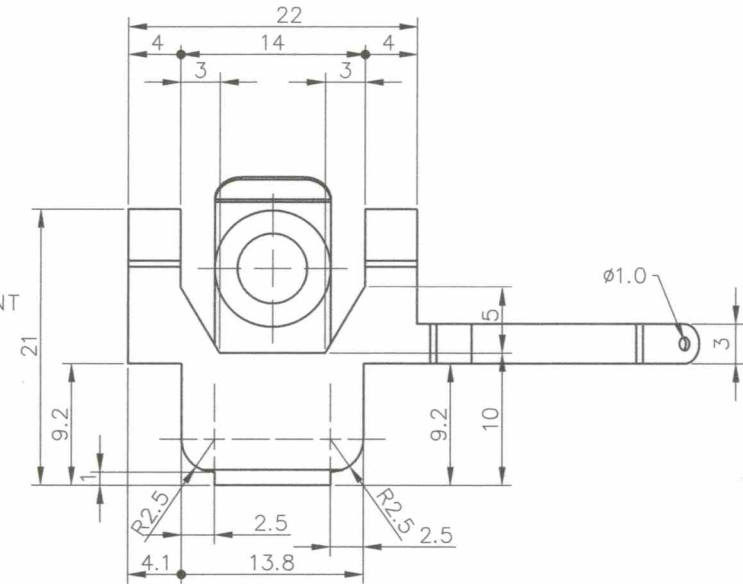
Material: 0.65mm thk. Phosphor Bronze Spring Sheet
 ASTM B159,
 Chrome Plated : Chrome Plate Finish = 0.05mm



ISOMETRIC



SIDE VIEW




REAR VIEW

- NOTES:
 * Dimensions are in Millimeters.
 * Remove sharp edges.

TOLERANCES FOR LENGTH GAUGING						
Grade of Accuracy	Nominal Size	0.5 to 3	Over 3 to 6	Over 6 to 30	Over 30 to 120	Over 120 to 400
Medium		± 0.10	± 0.10	± 0.20	± 0.30	± 0.50

TOLERANCES FOR RADIUS & CHAMFERS					
Grade of Accuracy	Nominal Size	0.5 to 3	Over 3 to 6	Over 6 to 30	Over 30 to 120
Smooth		± 0.20	± 0.50	± 1.00	± 2.00
Medium					

SYM	REVISION	DATE	BY

Date	SEPT 2021	Scale	NTS	FREE FALL APPRATUS	
Conceptualized by					
Drawn by	B.C. Lisondra	Item Name	SYNCHRO BOX : BATTERY HOLDER (+)		Sheet
Designed by	J.N. Arjoja	Material	AS SPECIFIED		File name
Recommended by	A.B. Ybanez				
Approved by	R. C. La Rosa	 DepED-BLR			

GOVERNMENT PROPERTY

FREE FALL APPRATUS

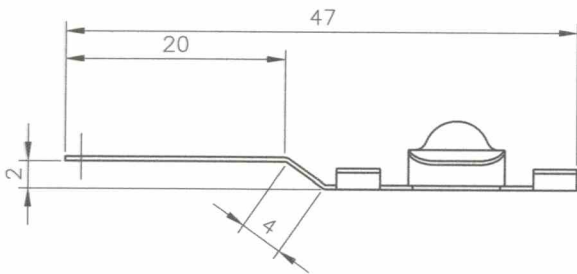
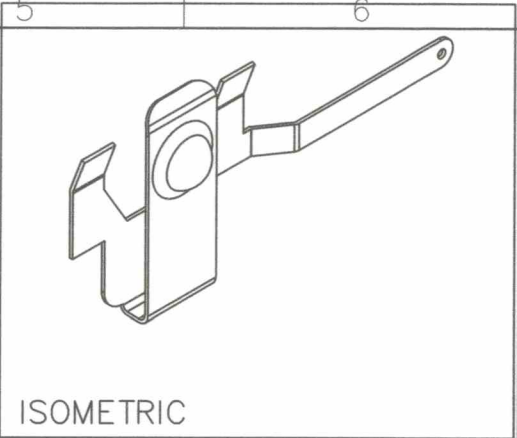
Item Name
 SYNCHRO BOX : BATTERY HOLDER (+)
 Sheet 20
 Material
 AS SPECIFIED
 File name
 synchrobox battery(+)holder



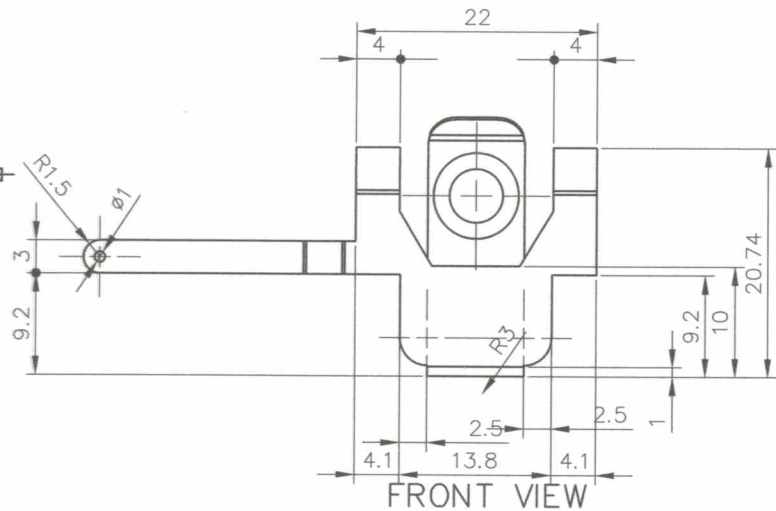
DepED-BLR

SCIKIT-MECHANICS

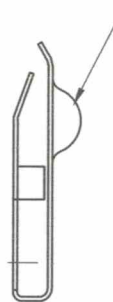
Material: 0.65mm thk. Phosphor Bronze Spring Sheet
 ASTM B159,
 Chrome Plated : Chrome Plate Finish = 0.05mm



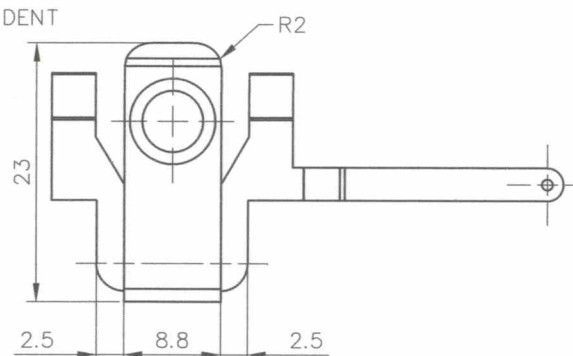
TOP VIEW



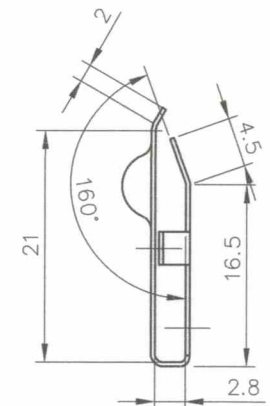
FRONT VIEW



SIDE VIEW



REAR VIEW



SIDE VIEW

- NOTES:
 * Dimensions are in Millimeters.
 * Remove sharp edges.

TOLERANCES FOR LENGTH GAUGING						
Grade of Accuracy	Nominal Size	0.5 to 3	Over 3 to 6	Over 6 to 30	Over 30 to 120	Over 120 to 400
Medium		± 0.10	± 0.10	± 0.20	± 0.30	± 0.50

TOLERANCES FOR RADIUS & CHAMFERS					
Grade of Accuracy	Nominal Size	0.5 to 3	Over 3 to 6	Over 6 to 30	Over 30 to 120
Smooth		± 0.20	± 0.50	± 1.00	± 2.00

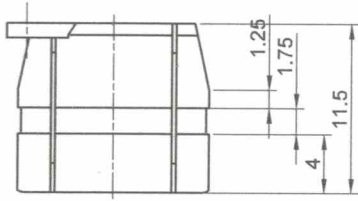
SYM	REVISION	DATE	BY

Date	SEPT 2021	Scale	NTS	FREE FALL APPRATUS	
Conceptualized by					
Drawn by	B.C. Lisondra	Checked by	J.N. Arjoja	Item Name	SYNCHRO BOX : BATTERY HOLDER (-)
Designed by				Material	AS SPECIFIED
Recommended by	R.C. La Rosa	Approved by	R.C. La Rosa	Sheet	21
				File name	synchrobox battery(-)holder
				 DepED-BLR	

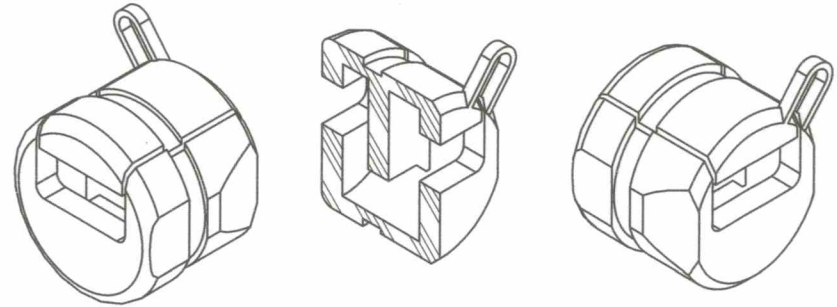
GOVERNMENT PROPERTY



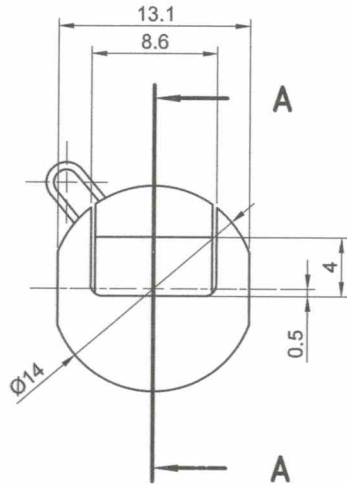
DepED-BLR



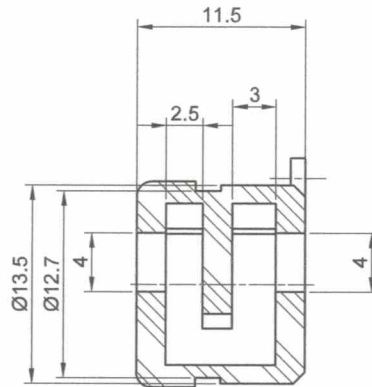
TOP VIEW



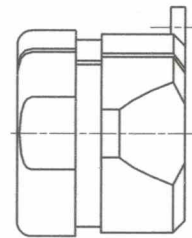
ISOMETRIC



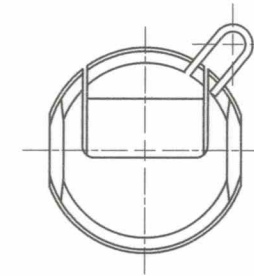
FRONT VIEW



SECTION A-A



SIDE VIEW



REAR VIEW

- NOTES:
 * Dimensions are in Millimeters.
 * Remove sharp edges.

TOLERANCES FOR LENGTH GAUGING						
Grade of Accuracy	Nominal Size	Over 0.5 to 3	Over 3 to 6	Over 6 to 30	Over 30 to 120	Over 120 to 400
Medium		± 0.10	± 0.10	± 0.20	± 0.30	± 0.50

TOLERANCES FOR RADIUS & CHAMFERS					
Grade of Accuracy	Nominal Size	Over 0.5 to 3	Over 3 to 6	Over 6 to 30	Over 30 to 120
Smooth		± 0.20	± 0.50	± 1.00	± 2.00
Medium		± 0.20	± 0.50	± 1.00	± 2.00

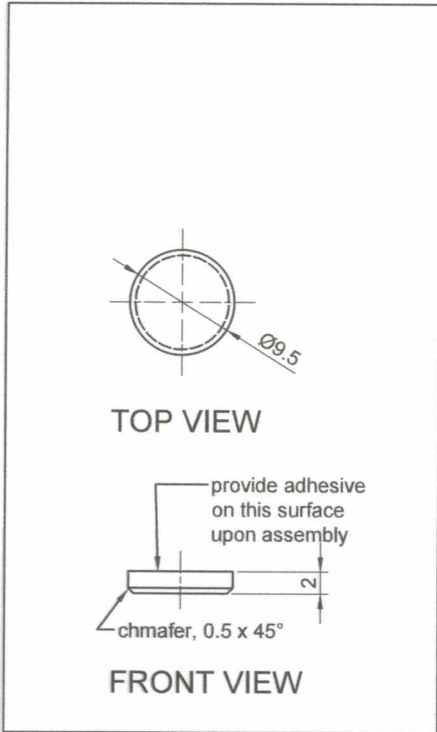
SYM	REVISION	DATE	BY

Date	SEPT 2021	Scale	NTS	FREE FALL APPRATUS	
Conceptualized by					
Drawn by	B.C. Lisondra	Checked by	J.N. Amoja	Item Name	SYNCHRO BOX : WIRE HOLDER
Designed by				Material	CORD STRAIN #4N-4 (MARKET ITEM)
Recommended by	A.B. Ybañez			Sheet	22
Approved by	R. C. La Rosa			File name	synchrobox wire holder

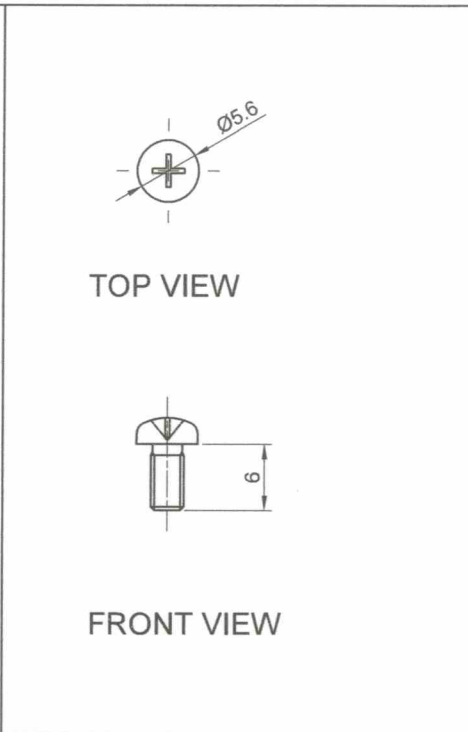


DepED-BLR

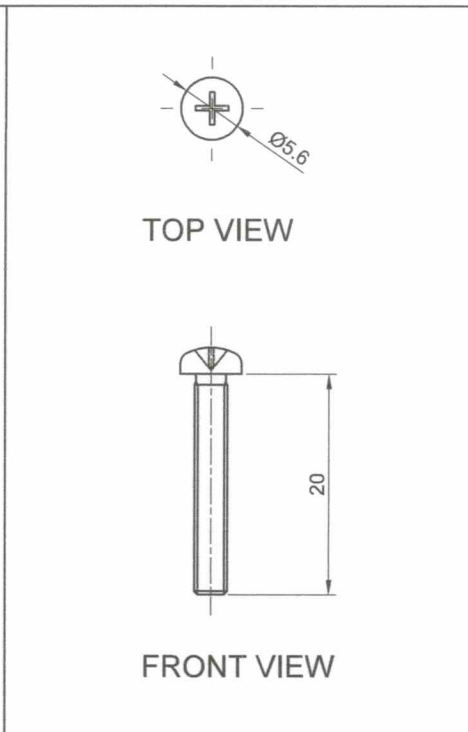
GOVERNMENT PROPERTY



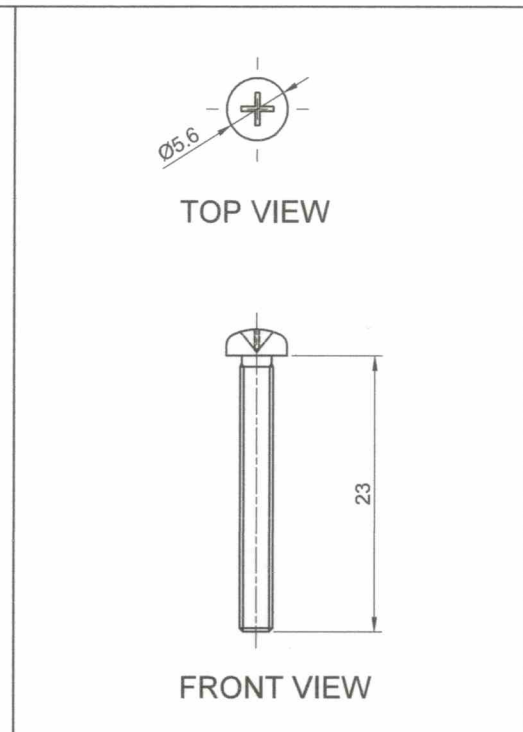
RUBBER SOLE
 Material: Black Rubber
 Hardness: 30 to 40 Durometer
 Type-A



METAL SCREW
 Thread: M3 x 0.5 RH
 Length: 6mm



METAL SCREW
 Thread: M3 x 0.5 RH
 Length: 20mm



METAL SCREW
 Thread: M3 x 0.5 RH
 Length: 23 mm

GOVERNMENT PROPERTY

FREE FALL APPRATUS

Date	SEPT 2021	Scale	NTS
Conceptualized by			
Drawn by	B.C. Lisondra	Item Name	SYNCHRO BOX : ACCESSORIES
Designed by	J.N. Anjoja	Material	AS SPECIFIED
Recommended by	A.B. Ybañez	Sheet	23
Approved by	R. C. La Rosa	File name	synchrobox accessories



DepED-BLR

TOLERANCES FOR LENGTH GAUGING						
Grade of Accuracy	Nominal Size	0.5 to 3	Over 3 to 6	Over 6 to 30	Over 30 to 120	Over 120 to 400
Medium		± 0.10	± 0.10	± 0.20	± 0.30	± 0.50

TOLERANCES FOR RADIUS & CHAMFERS					
Grade of Accuracy	Nominal Size	0.5 to 3	Over 3 to 6	Over 6 to 30	Over 30 to 120
Smooth		± 0.20	± 0.50	± 1.00	± 2.00
Medium					

SYM	REVISION	DATE	BY