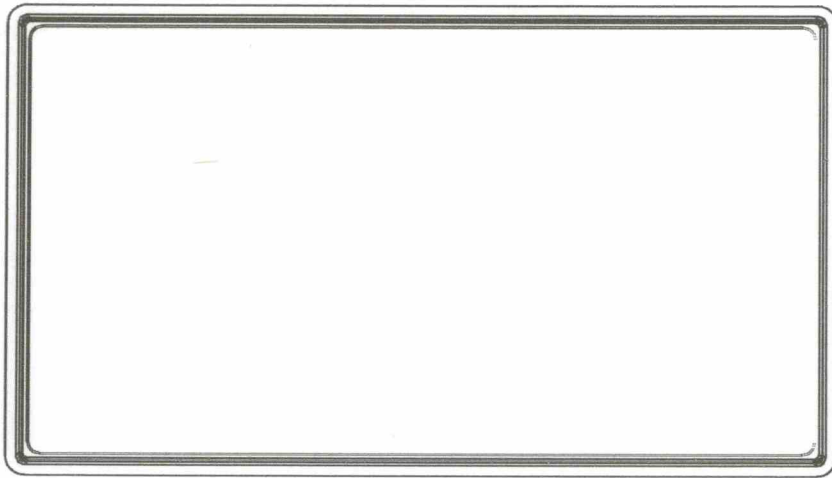
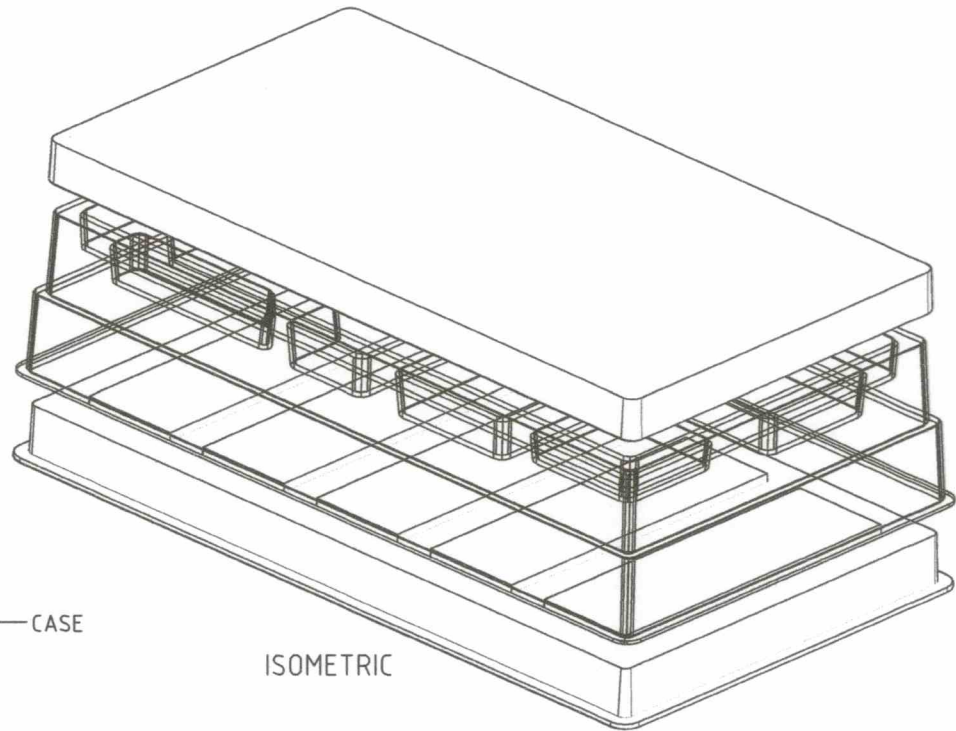


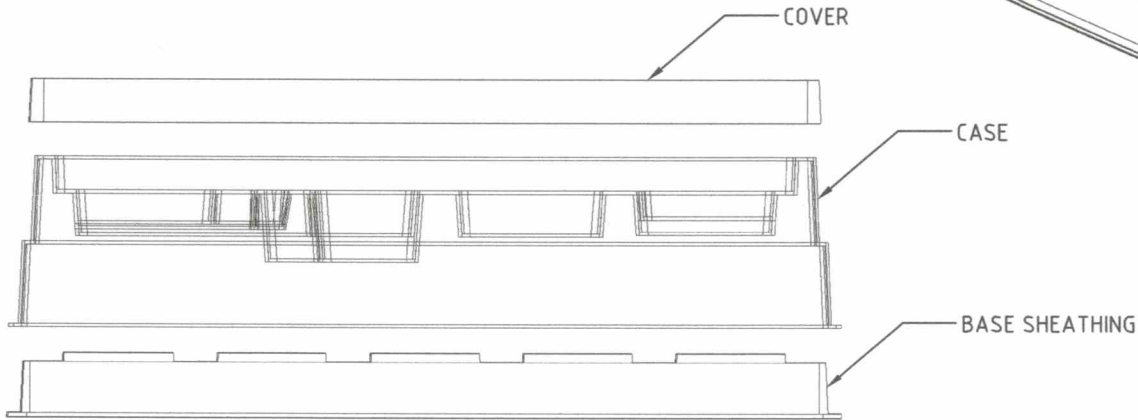
BATCH "B"



TOP VIEW




ISOMETRIC



FRONT VIEW

GOVERNMENT PROPERTY

Date	SEPT 2021	Scale	NTS	STORAGE CASES	
Conceptualized by					
Drawn by	B.C. Lisondra	Item Name	ASSEMBLY		Sheet
Designed by		Material	ABS Thermoplastic, color Beige		File name
		Q.C. Checked by	J.N. Arjoa		SCase 001
Recommended by	A.B. Ybanez		 DepED-BLR		
Approved by	R. C. La Rosa				

TOLERANCES FOR LENGTH GAUGING

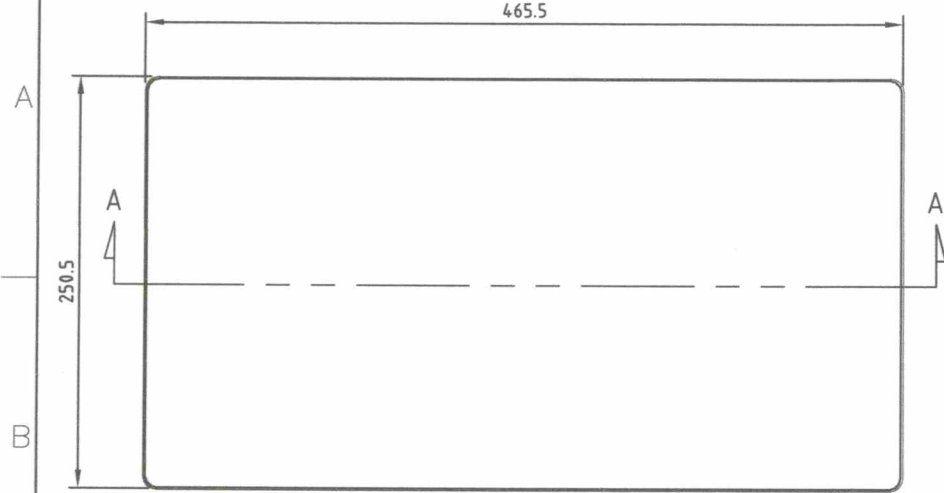
Grade of Accuracy	Nominal Size	0.5 to 3	Over 3 to 6	Over 6 to 30	Over 30 to 120	Over 120 to 400
Medium		± 0.10	± 0.10	± 0.20	± 0.30	± 0.50

TOLERANCES FOR RADIUS & CHAMFERS

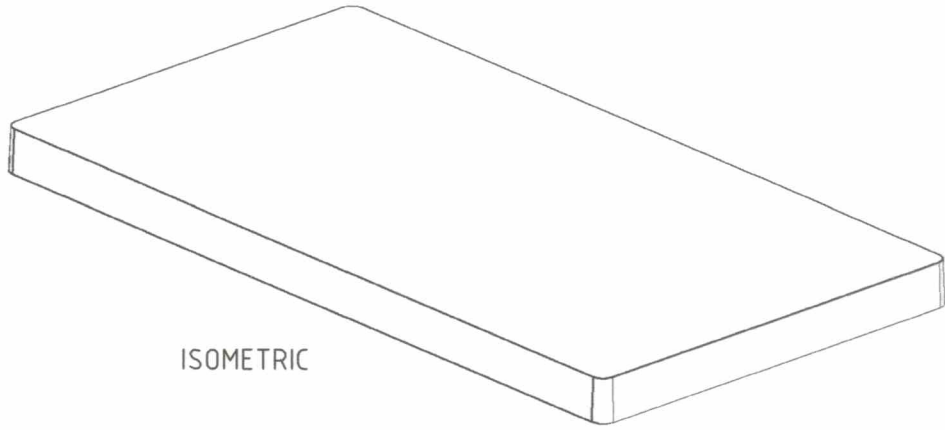
Grade of Accuracy	Nominal Size	0.5 to 3	Over 3 to 6	Over 6 to 30	Over 30 to 120
Smooth		± 0.20	± 0.50	± 1.00	± 2.00
Medium					

SYM REVISION DATE BY

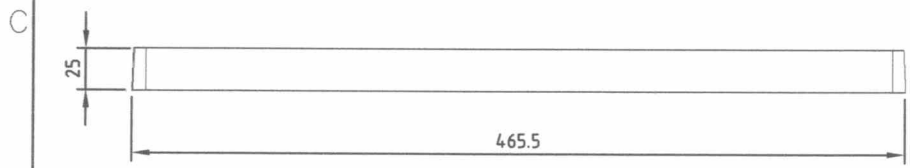
BATCH "B"



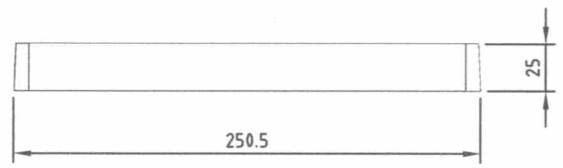
TOP VIEW



ISOMETRIC



FRONT VIEW



RIGHTSIDEVIEW


- ×Use a 2.5° draft angle.
- ×Maintain a 1mm fillet radius on all corners and edges unless otherwise specified.
- ×Dimensions are in millimeters except otherwise specified.
- ×Smoothen sharp edges.
- ×Surface Roughness: Smooth, free from scratches:

GOVERNMENT PROPERTY

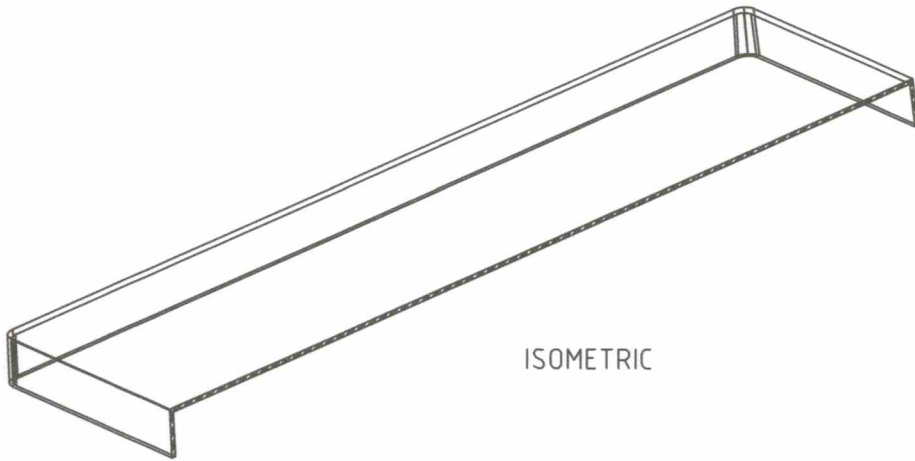
TOLERANCES FOR LENGTH GAUGING						
Grade of Accuracy	Nominal Size	0.5 to 3	Over 3 to 6	Over 6 to 30	Over 30 to 120	Over 120 to 400
Medium		± 0.10	± 0.10	± 0.20	± 0.30	± 0.50

TOLERANCES FOR RADIUS & CHAMFERS					
Grade of Accuracy	Nominal Size	0.5 to 3	Over 3 to 6	Over 6 to 30	Over 30 to 120
Smooth Medium		± 0.20	± 0.50	± 1.00	± 2.00

SYM	REVISION	DATE	BY

Date	SEPT 2021	Scale	NTS	STORAGE CASES	
Conceptualized by					
Drawn by	B.C. Lisondra			Item Name	COVER 001
Designed by	Q.C. Checked by			Material	ABS Thermoplastic, color Beige
	J.N. Arriola			File name	SCase 001
Recommended by	A.B. Ybañez			 DepED-BLR	
Approved by	R. C. La Rosa				

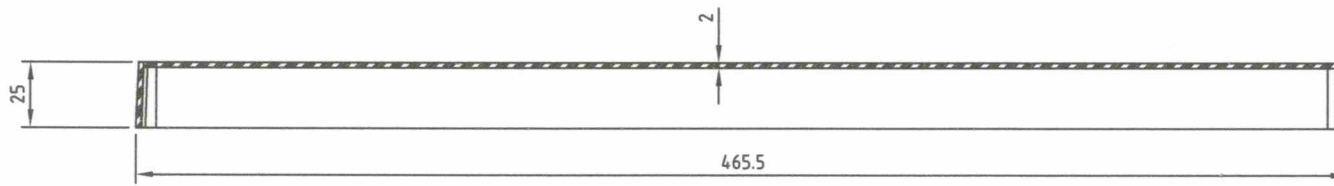
BATCH "B"



ISOMETRIC




ISOMETRIC



SECTION A-A

- ×Use a 2.5° draft angle.
- ×Maintain a 1mm fillet radius on all corners and edges unless otherwise specified.
- ×Dimensions are in millimeters except otherwise specified.
- ×Smoothen sharp edges.
- ×Surface Roughness: Smooth, free from scratches.

GOVERNMENT PROPERTY

Date	SEPT 2021	Scale	NTS	STORAGE CASES	
Conceptualized by					
Drawn by	B.C. Lisondra	Item Name	COVER 001	Sheet	
Designed by		Material	ABS Thermoplastic, color Beige	File name SCase 001	
Checked by	J.N. Arida			DepED-BLR	
Recommended by	A.B. Ybañez				
Approved by	R. C. La Rosa				

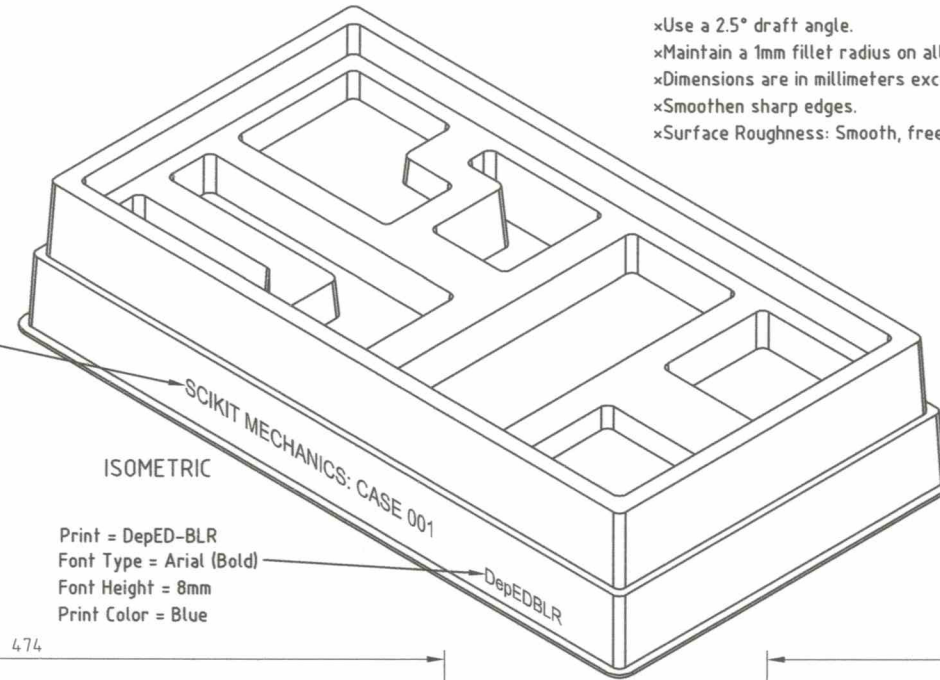
TOLERANCES FOR LENGTH GAUGING							SYM	REVISION	DATE	BY
Grade of Accuracy	Nominal Size	0.5 to 3	Over 3 to 6	Over 6 to 30	Over 30 to 120	Over 120 to 400				
Medium		± 0.10	± 0.10	± 0.20	± 0.30	± 0.50				

TOLERANCES FOR RADIUS & CHAMFERS						SYM	REVISION	DATE	BY
Grade of Accuracy	Nominal Size	0.5 to 3	Over 3 to 6	Over 6 to 30	Over 30 to 120				
Smooth Medium		± 0.20	± 0.50	± 1.00	± 2.00				

BATCH "B"

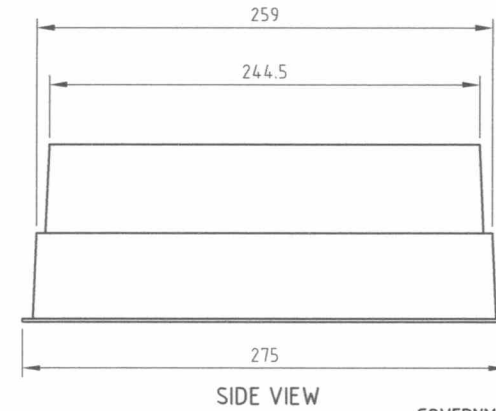
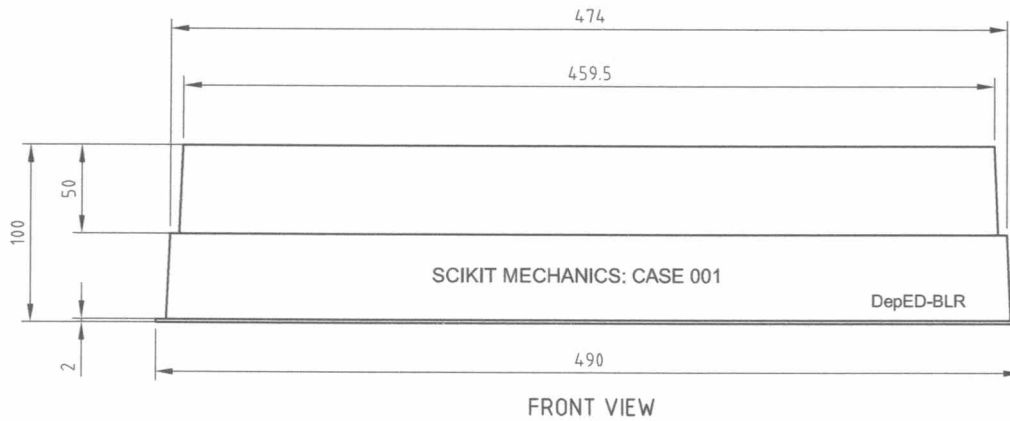
- ×Use a 2.5° draft angle.
- ×Maintain a 1mm fillet radius on all corners and edges unless otherwise specified.
- ×Dimensions are in millimeters except otherwise specified.
- ×Smoothen sharp edges.
- ×Surface Roughness: Smooth, free from scratches.

Print = SCIKIT MECHANICS: CASE 001
 Font Type = Arial (Bold)
 Font Height = 12mm
 Print Color = Blue




ISOMETRIC

Print = DepED-BLR
 Font Type = Arial (Bold)
 Font Height = 8mm
 Print Color = Blue



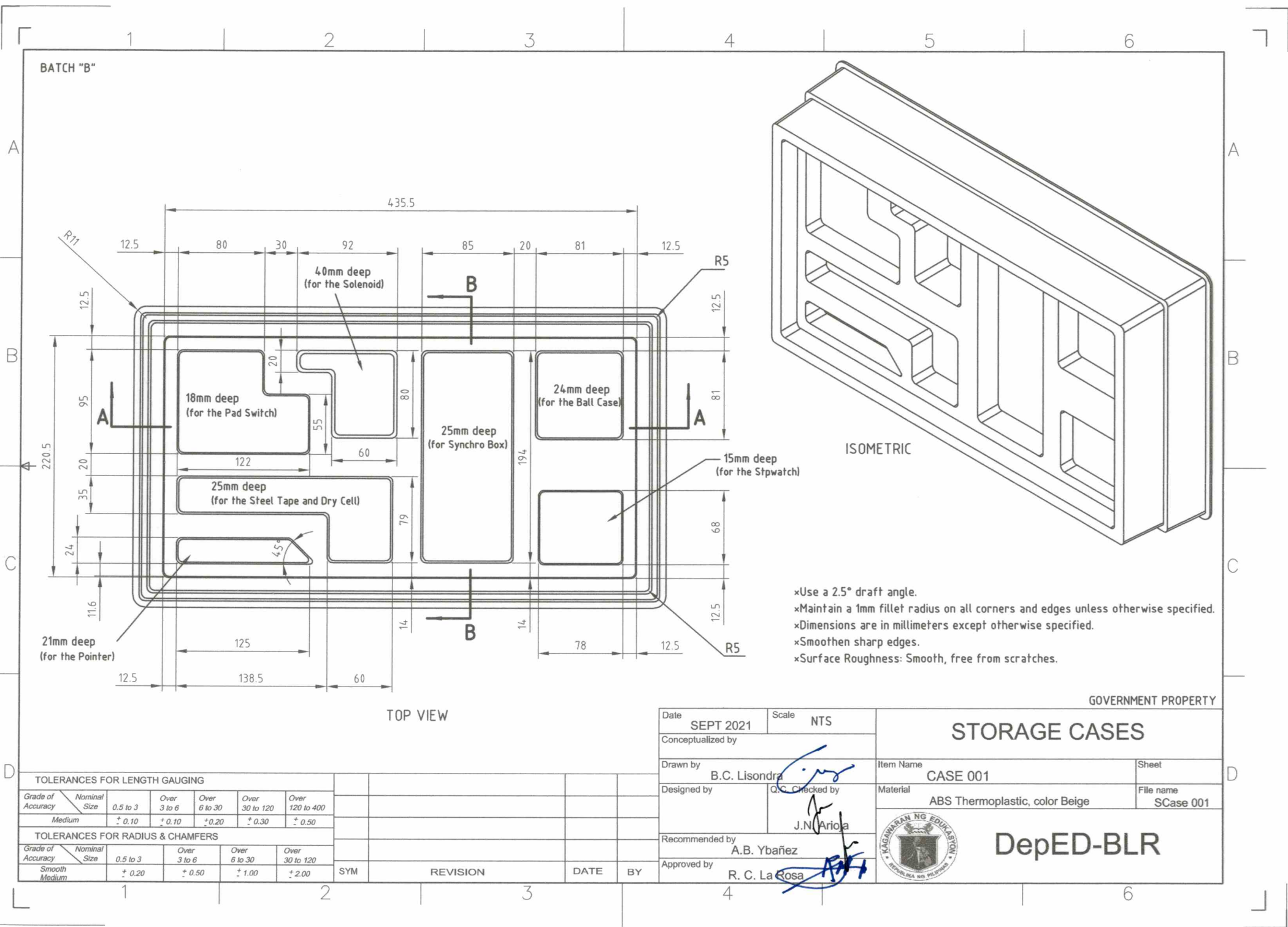
GOVERNMENT PROPERTY

Date	SEPT 2021	Scale	NTS	STORAGE CASES	
Conceptualized by					
Drawn by	B.C. Lisondra		Item Name	CASE 001	Sheet
Designed by			Material	ABS Thermoplastic, color Beige	File name
			Q.C. Checked by	J.N. Arida	SCase 001
Recommended by	A.B. Ybañez		 DepED-BLR		
Approved by	R. C. La Rosa				

TOLERANCES FOR LENGTH GAUGING						
Grade of Accuracy	Nominal Size	0.5 to 3	Over 3 to 6	Over 6 to 30	Over 30 to 120	Over 120 to 400
Medium		± 0.10	± 0.10	± 0.20	± 0.30	± 0.50

TOLERANCES FOR RADIUS & CHAMFERS					
Grade of Accuracy	Nominal Size	0.5 to 3	Over 3 to 6	Over 6 to 30	Over 30 to 120
Smooth		± 0.20	± 0.50	± 1.00	± 2.00
Medium		± 0.20	± 0.50	± 1.00	± 2.00

SYM	REVISION	DATE	BY



BATCH "B"


TOP VIEW

ISOMETRIC

- ×Use a 2.5° draft angle.
- ×Maintain a 1mm fillet radius on all corners and edges unless otherwise specified.
- ×Dimensions are in millimeters except otherwise specified.
- ×Smoothen sharp edges.
- ×Surface Roughness: Smooth, free from scratches.

GOVERNMENT PROPERTY

STORAGE CASES

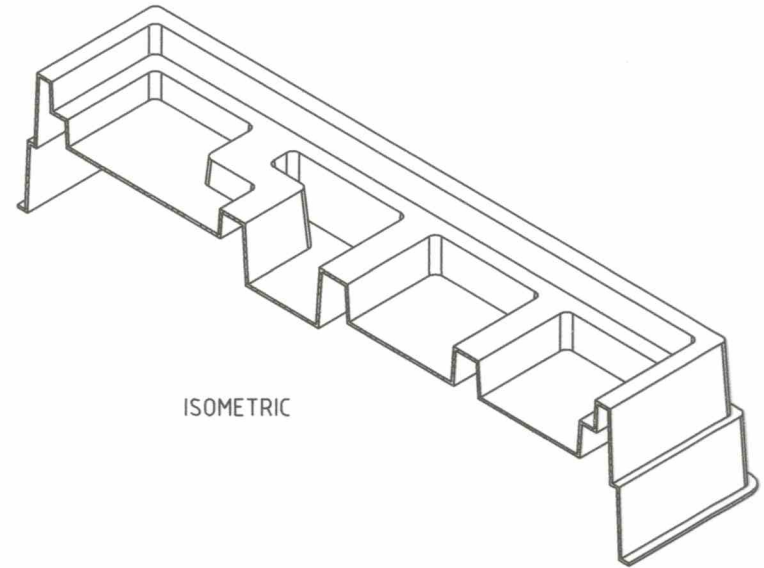
Date	SEPT 2021	Scale	NTS
Conceptualized by			
Drawn by	B.C. Lisondra	Item Name	CASE 001
Designed by	J.N. Arjo	Material	ABS Thermoplastic, color Beige
QC Checked by	A.B. Ybañez	File name	SCase 001
Recommended by	R. C. La Rosa	 <p>DepED-BLR</p>	
Approved by			

TOLERANCES FOR LENGTH GAUGING					
Grade of Accuracy	Nominal Size	0.5 to 3	Over 3 to 6	Over 6 to 30	Over 30 to 120
Medium		± 0.10	± 0.10	± 0.20	± 0.30
Over 120 to 400					± 0.50

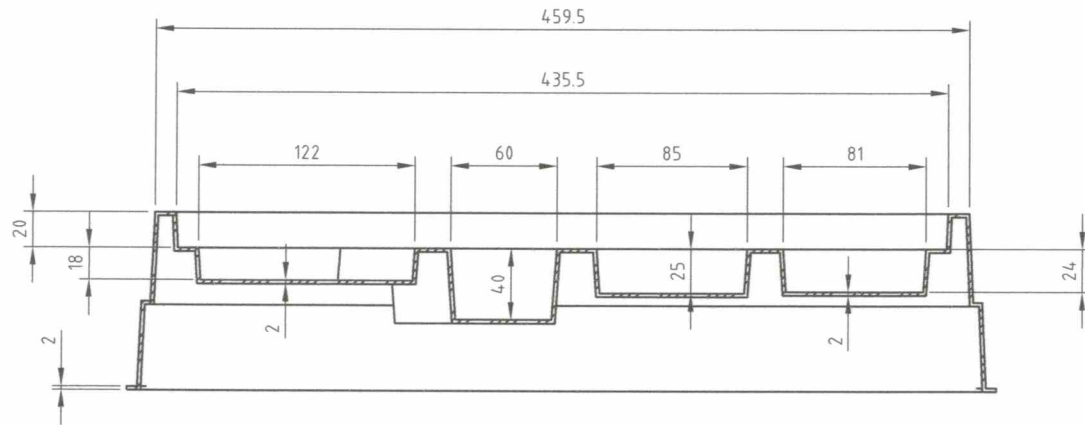
TOLERANCES FOR RADIUS & CHAMFERS				
Grade of Accuracy	Nominal Size	0.5 to 3	Over 3 to 6	Over 6 to 30
Smooth		± 0.20	± 0.50	± 1.00
Medium				± 2.00

SYM	REVISION	DATE	BY

BATCH "B"



ISOMETRIC




A-A

- ×Use a 2.5° draft angle.
- ×Maintain a 1mm fillet radius on all corners and edges unless otherwise specified.
- ×Dimensions are in millimeters except otherwise specified.
- ×Smoothen sharp edges.
- ×Surface Roughness: Smooth, free from scratches.

GOVERNMENT PROPERTY

STORAGE CASES

Date	SEPT 2021	Scale	NTS
Conceptualized by			
Drawn by	B.C. Lisondra	Item Name	CASE 001
Designed by		Material	ABS Thermoplastic, color Beige
Q.C. Checked by	J.N. Arriola	File name	SCase 001
Recommended by	A.B. Ybañez	 <p>DepED-BLR</p>	
Approved by	R. C. La Rosa		

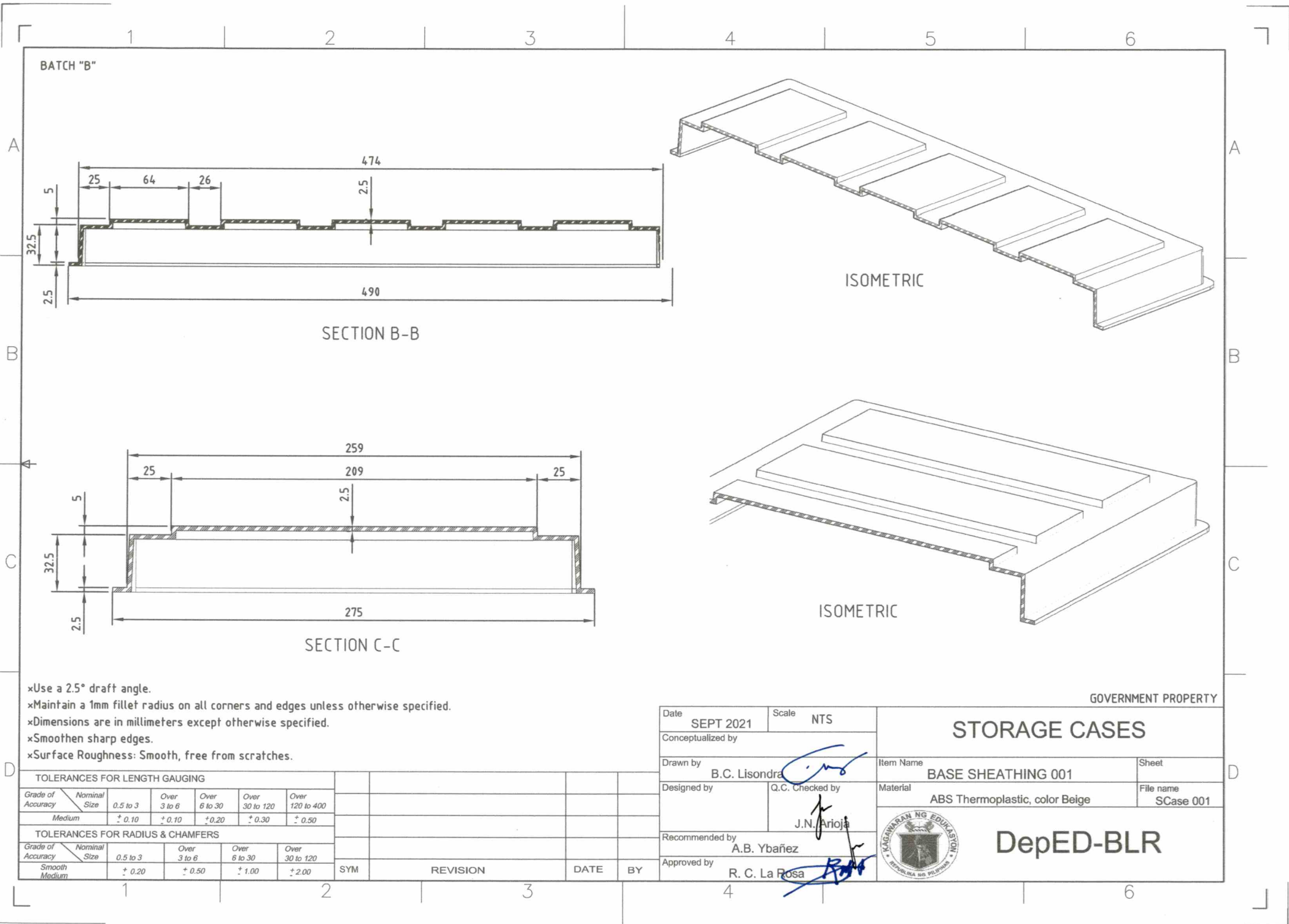
TOLERANCES FOR LENGTH GAUGING

Grade of Accuracy	Nominal Size	0.5 to 3	Over 3 to 6	Over 6 to 30	Over 30 to 120	Over 120 to 400
Medium		± 0.10	± 0.10	± 0.20	± 0.30	± 0.50

TOLERANCES FOR RADIUS & CHAMFERS

Grade of Accuracy	Nominal Size	0.5 to 3	Over 3 to 6	Over 6 to 30	Over 30 to 120
Smooth		± 0.20	± 0.50	± 1.00	± 2.00
Medium		± 0.20	± 0.50	± 1.00	± 2.00

SYM	REVISION	DATE	BY



BATCH "B"

SECTION B-B

SECTION C-C

ISOMETRIC


ISOMETRIC

- ×Use a 2.5° draft angle.
- ×Maintain a 1mm fillet radius on all corners and edges unless otherwise specified.
- ×Dimensions are in millimeters except otherwise specified.
- ×Smoothen sharp edges.
- ×Surface Roughness: Smooth, free from scratches.

TOLERANCES FOR LENGTH GAUGING						
Grade of Accuracy	Nominal Size	0.5 to 3	Over 3 to 6	Over 6 to 30	Over 30 to 120	Over 120 to 400
Medium		± 0.10	± 0.10	± 0.20	± 0.30	± 0.50

TOLERANCES FOR RADIUS & CHAMFERS					
Grade of Accuracy	Nominal Size	0.5 to 3	Over 3 to 6	Over 6 to 30	Over 30 to 120
Smooth		± 0.20	± 0.50	± 1.00	± 2.00
Medium		± 0.20	± 0.50	± 1.00	± 2.00

SYM	REVISION	DATE	BY

Date	SEPT 2021	Scale	NTS	GOVERNMENT PROPERTY	
Conceptualized by				STORAGE CASES	
Drawn by	B.C. Lisondra		Item Name	BASE SHEATHING 001	
Designed by	Q.C. Checked by		Material	ABS Thermoplastic, color Beige	
Recommended by			File name		SCase 001
A.B. Ybafiez			DepED-BLR		
Approved by			R. C. La Rosa		