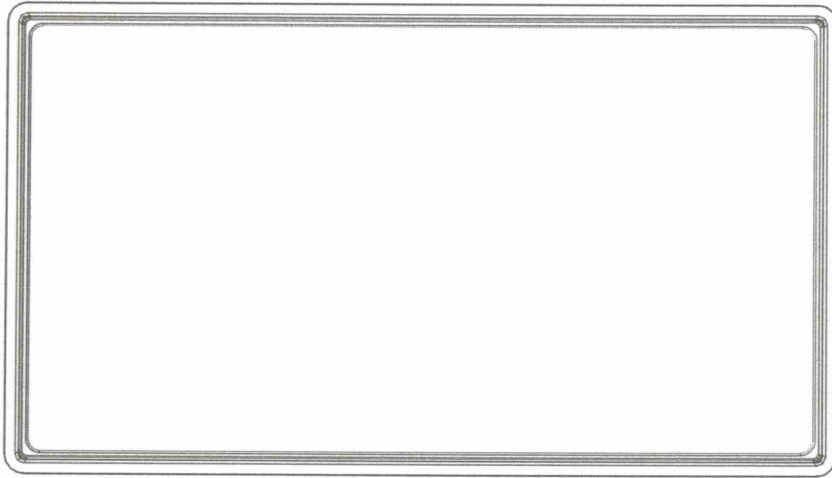
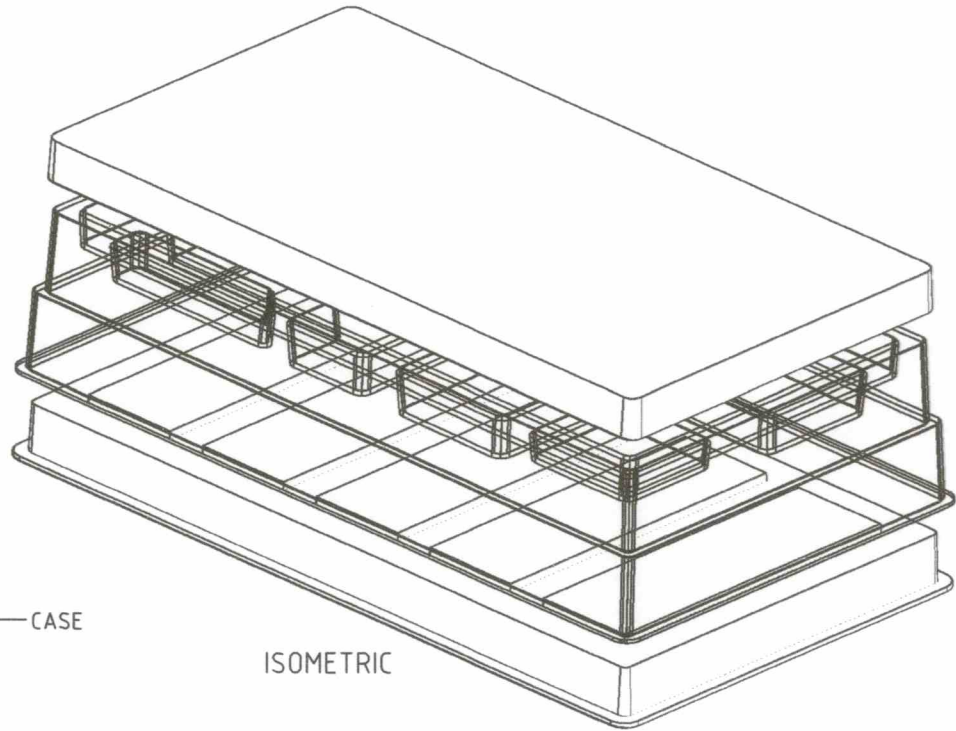


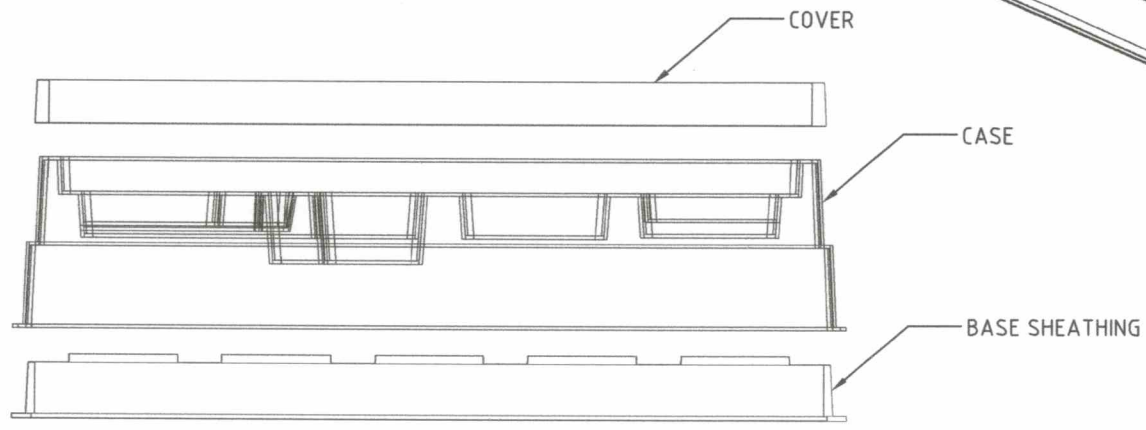
BATCH "B"



TOP VIEW




ISOMETRIC



FRONT VIEW

GOVERNMENT PROPERTY

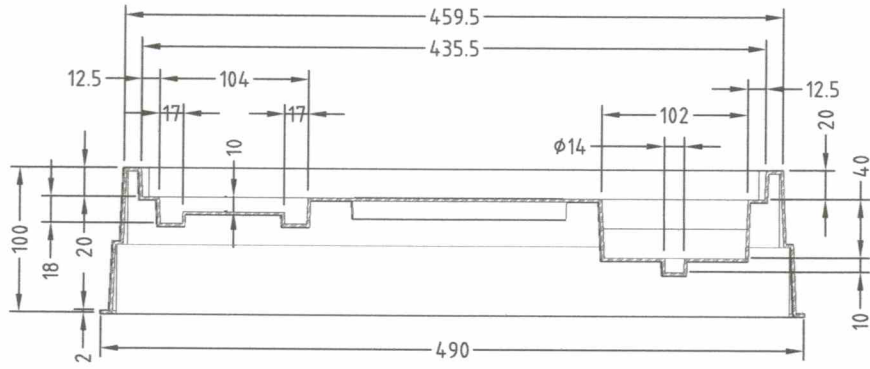
Date	SEPT 2021	Scale	NTS	STORAGE CASES	
Conceptualized by					
Drawn by	B.C. Lisondra	Item Name	ASSEMBLY		Sheet
Designed by		Material	ABS Thermoplastic, color Beige		File name
		Q.C. Checked by	J.N. Arioja		SCover 002
Recommended by	A.B. Ybañez		 DepED-BLR		
Approved by	R. C. La Rosa				

TOLERANCES FOR LENGTH GAUGING						
Grade of Accuracy	Nominal Size	0.5 to 3	Over 3 to 6	Over 6 to 30	Over 30 to 120	Over 120 to 400
Medium		± 0.10	± 0.10	± 0.20	± 0.30	± 0.50

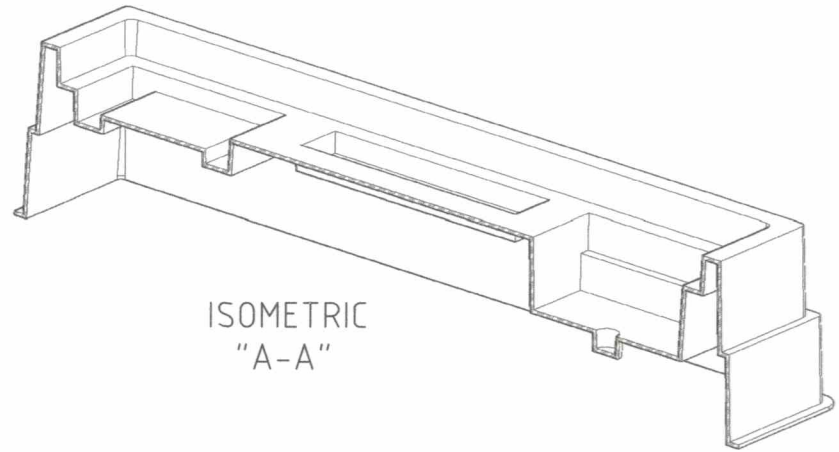
TOLERANCES FOR RADIUS & CHAMFERS					
Grade of Accuracy	Nominal Size	0.5 to 3	Over 3 to 6	Over 6 to 30	Over 30 to 120
Smooth		± 0.20	± 0.50	± 1.00	± 2.00
Medium		± 0.20	± 0.50	± 1.00	± 2.00

SYM	REVISION	DATE	BY

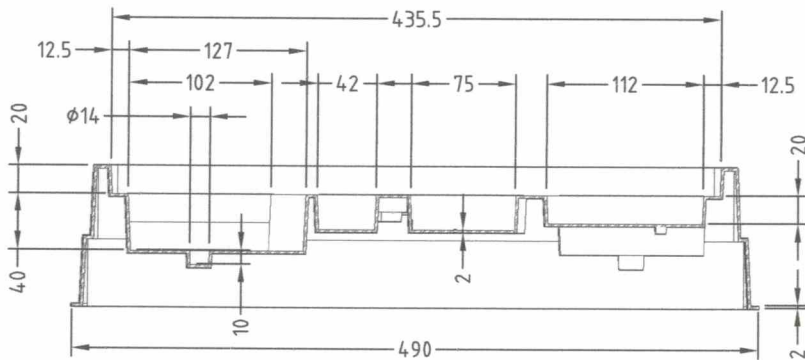
BATCH "B"



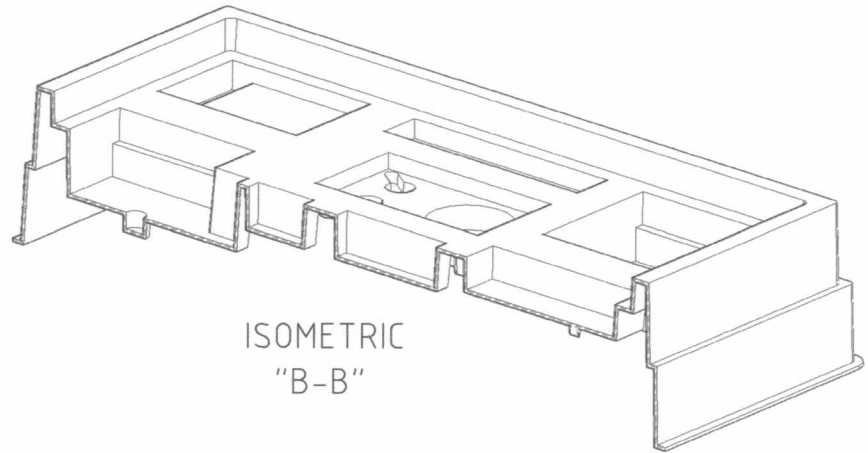
SECTION A - A



ISOMETRIC "A-A"



SECTION B - B




ISOMETRIC "B-B"

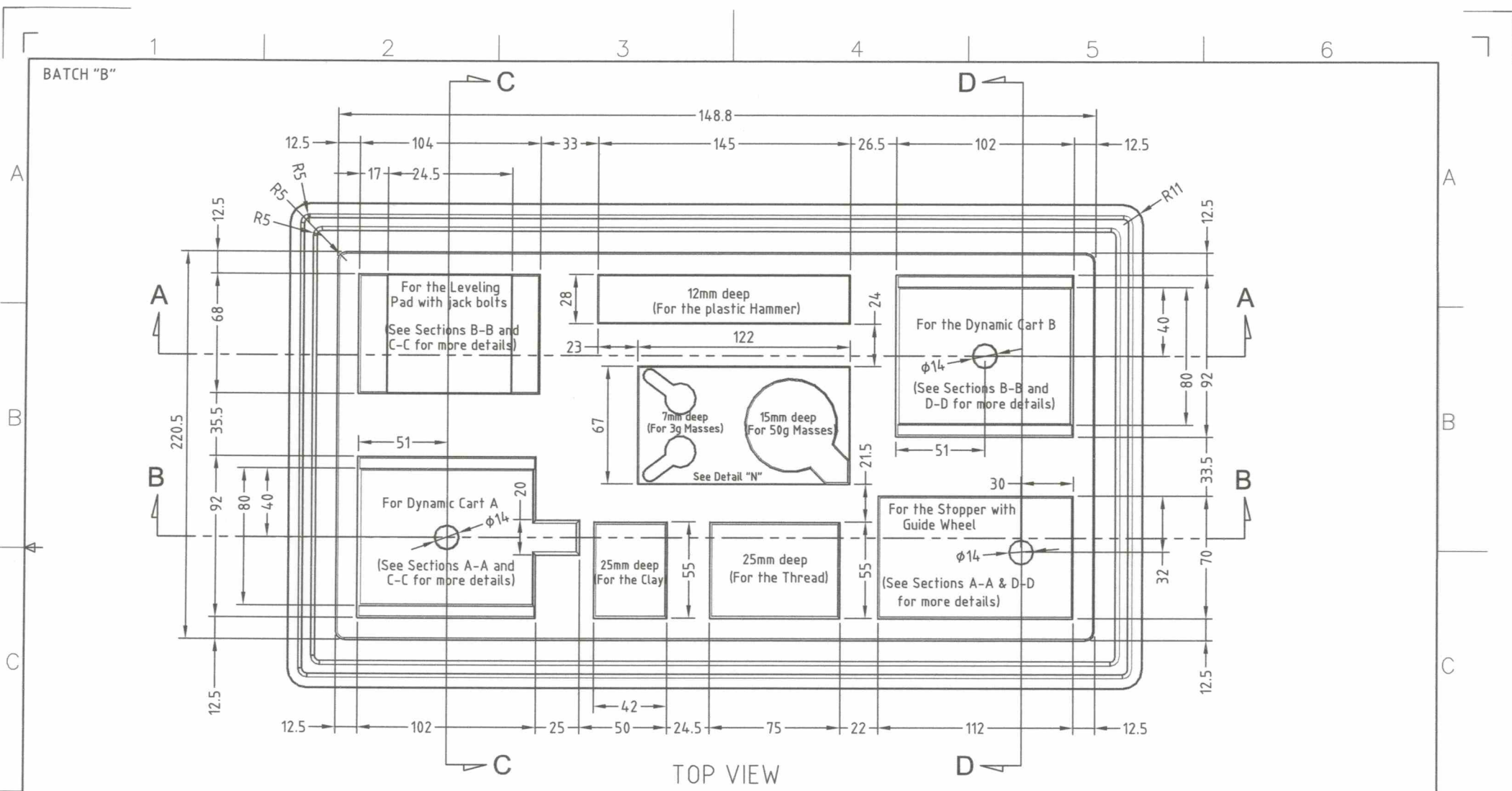
- ×Use a 2.5° draft angle.
- ×Maintain a 1mm fillet radius on all corners and edges unless otherwise specified.
- ×Dimensions are in millimeters except otherwise specified.
- ×Smoothen sharp edges.
- ×Surface Roughness: Smooth, free from scratches.

GOVERNMENT PROPERTY

STORAGE CASES

Date	SEPT 2021	Scale	NTS
Conceptualized by			
Drawn by	B.C. Lisondra	Item Name	CASE 002
Designed by		Material	ABS Thermoplastic, color Beige
Q.C. Checked by	J.N. Aripja	File name	SCase 002
Recommended by	A.B. Ybañez	 DepED-BLR	
Approved by	R. C. La Rosa		

TOLERANCES FOR LENGTH GAUGING						
Grade of Accuracy	Nominal Size	0.5 to 3	Over 3 to 6	Over 6 to 30	Over 30 to 120	Over 120 to 400
Medium		± 0.10	± 0.10	± 0.20	± 0.30	± 0.50
TOLERANCES FOR RADIUS & CHAMFERS						
Grade of Accuracy	Nominal Size	0.5 to 3	Over 3 to 6	Over 6 to 30	Over 30 to 120	
Smooth		± 0.20	± 0.50	± 1.00	± 2.00	
Medium						
SYM		REVISION		DATE	BY	




TOP VIEW

- ×Use a 2.5° draft angle.
- ×Maintain a 1mm fillet radius on all corners and edges unless otherwise specified.
- ×Dimensions are in millimeters except otherwise specified.
- ×Smoothen sharp edges.
- ×Surface Roughness: Smooth, free from scratches.

GOVERNMENT PROPERTY

STORAGE CASES

Date	SEPT 2021	Scale	NTS
Conceptualized by			
Drawn by	B.C. Lisondra	Item Name	CASE 002
Designed by		Material	ABS Thermoplastic, color Beige
Q.C. Checked by	J.N. Aridja	File name	SCase 002
Recommended by	A.B. Ybañez	 DepED-BLR	
Approved by	R. C. La Rosa		

TOLERANCES FOR LENGTH GAUGING						
Grade of Accuracy	Nominal Size	0.5 to 3	Over 3 to 6	Over 6 to 30	Over 30 to 120	Over 120 to 400
Medium		± 0.10	± 0.10	± 0.20	± 0.30	± 0.50

TOLERANCES FOR RADIUS & CHAMFERS					
Grade of Accuracy	Nominal Size	0.5 to 3	Over 3 to 6	Over 6 to 30	Over 30 to 120
Smooth		± 0.20	± 0.50	± 1.00	± 2.00
Medium		± 0.20	± 0.50	± 1.00	± 2.00

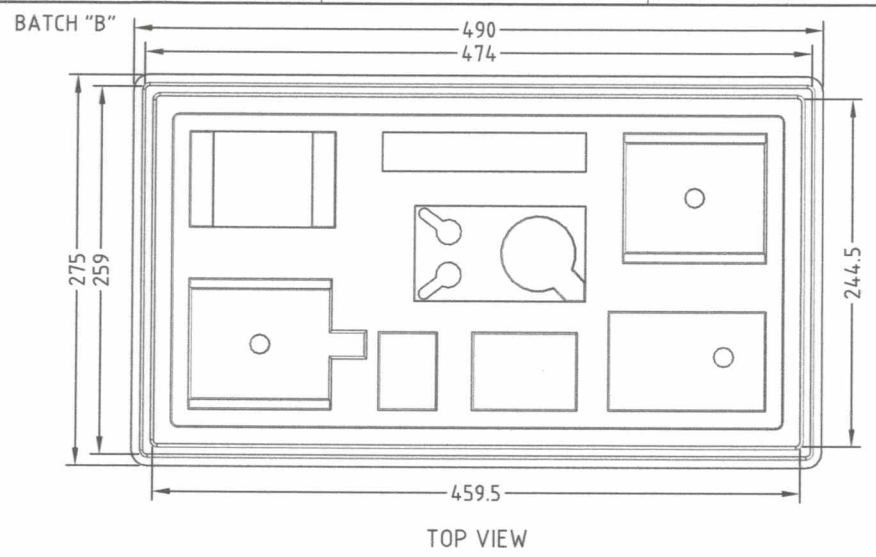
SYM	REVISION	DATE	BY

A

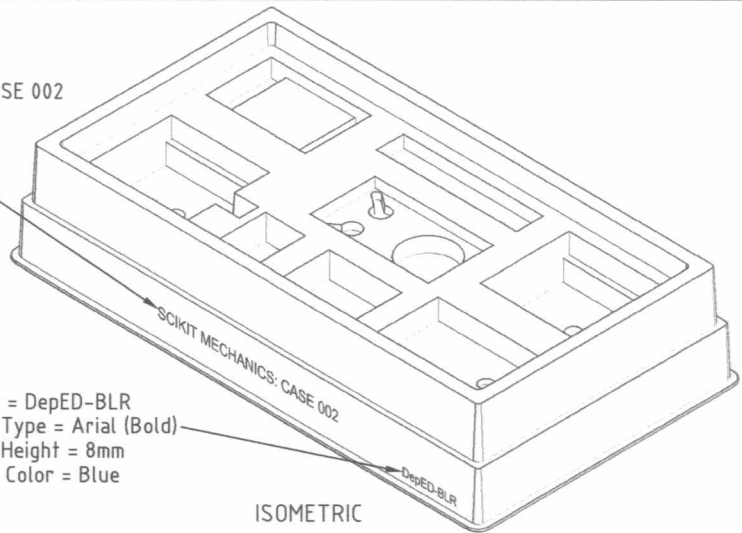
B

C

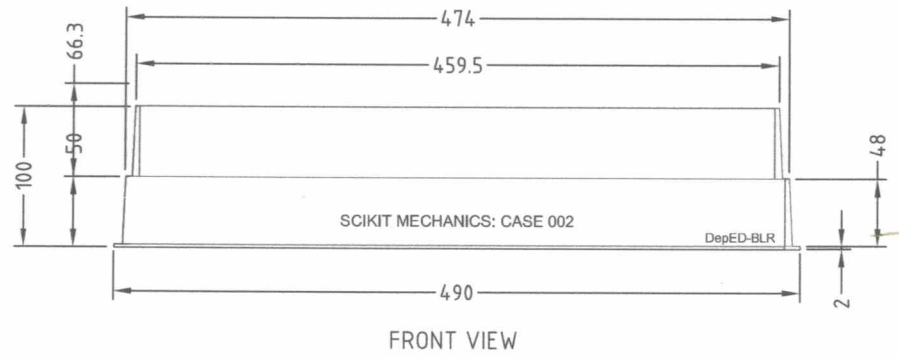
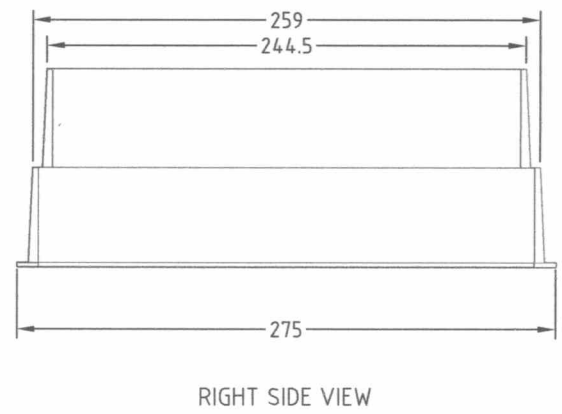
D



Print = SCIKIT MECHANICS: CASE 002
Font Type = Arial (Bold)
Font Height = 12mm
Print Color = Blue



Print = DepED-BLR
Font Type = Arial (Bold)
Font Height = 8mm
Print Color = Blue



- ×Use a 2.5° draft angle.
- ×Maintain a 1mm fillet radius on all corners and edges unless otherwise specified.
- ×Dimensions are in millimeters except otherwise specified.
- ×Smoothen sharp edges.
- ×Surface Roughness: Smooth, free from scratches.

GOVERNMENT PROPERTY

STORAGE CASES

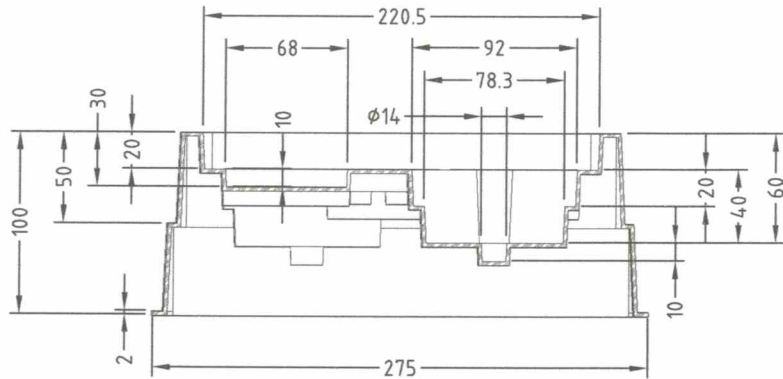
Date	SEPT 2021	Scale	NTS
Conceptualized by			
Drawn by	B.C. Lisondra		Item Name
Designed by	Q.C. Checked by	J.N. Aridja	CASE 002
Recommended by		A.B. Ybañez	Material
Approved by		R. C. La Rosa	ABS Thermoplastic, color Beige
			Sheet
			File name
			SCase 002



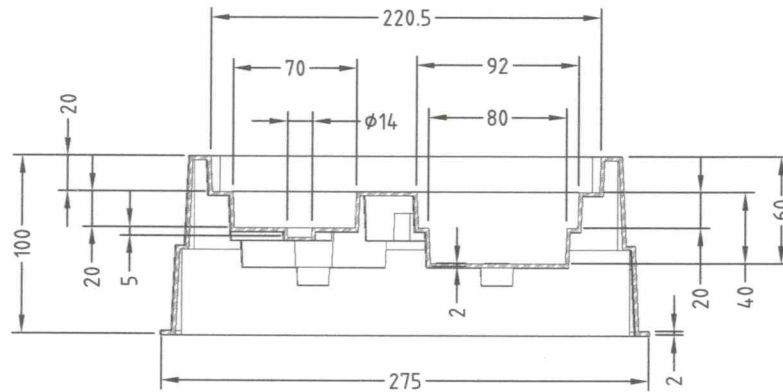
DepED-BLR

TOLERANCES FOR LENGTH GAUGING						SYM	REVISION	DATE	BY
Grade of Accuracy	Nominal Size	0.5 to 3	Over 3 to 6	Over 6 to 30	Over 30 to 120				
Medium		± 0.10	± 0.10	± 0.20	± 0.30				
TOLERANCES FOR RADIUS & CHAMFERS						SYM	REVISION	DATE	BY
Grade of Accuracy	Nominal Size	0.5 to 3	Over 3 to 6	Over 6 to 30	Over 30 to 120				
Smooth Medium		± 0.20	± 0.50	± 1.00	± 2.00				

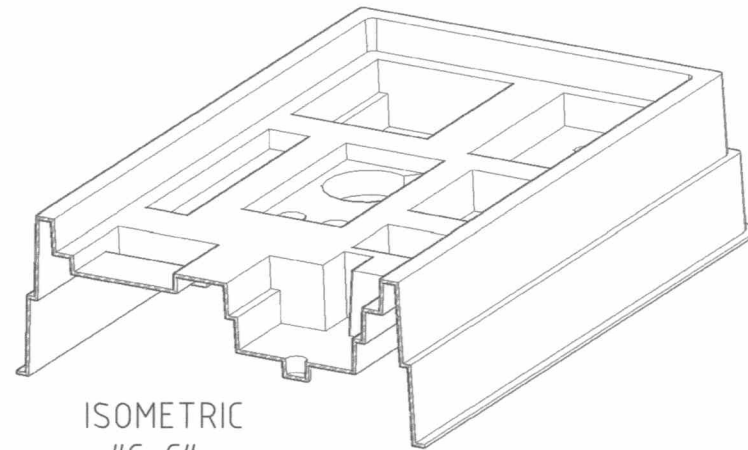
BATCH "B"



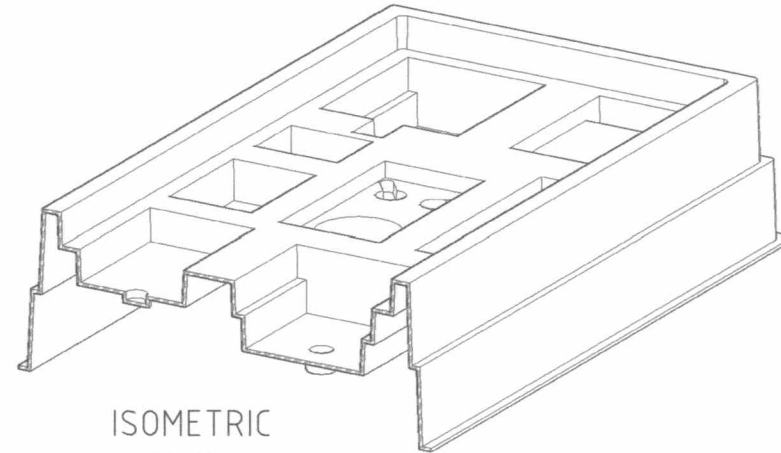
SECTION C - C



SECTION D - D



ISOMETRIC
"C-C"



ISOMETRIC
"D-D"

- ×Use a 2.5° draft angle.
- ×Maintain a 1mm fillet radius on all corners and edges unless otherwise specified.
- ×Dimensions are in millimeters except otherwise specified.
- ×Smoothen sharp edges.
- ×Surface Roughness: Smooth, free from scratches.

TOLERANCES FOR LENGTH GAUGING

Grade of Accuracy	Nominal Size	0.5 to 3	Over 3 to 6	Over 6 to 30	Over 30 to 120	Over 120 to 400
Medium		± 0.10	± 0.10	± 0.20	± 0.30	± 0.50


TOLERANCES FOR RADIUS & CHAMFERS

Grade of Accuracy	Nominal Size	0.5 to 3	Over 3 to 6	Over 6 to 30	Over 30 to 120
Smooth		± 0.20	± 0.50	± 1.00	± 2.00
Medium		± 0.20	± 0.50	± 1.00	± 2.00

SYM	REVISION	DATE	BY

GOVERNMENT PROPERTY

STORAGE CASES

Date	SEPT 2021	Scale	NTS
Conceptualized by			
Drawn by	B.C. Lisondra	Item Name	CASE 002
Designed by		Material	ABS Thermoplastic, color Beige
Checked by	J.N. Arioja	File name	SCase 002
Recommended by	A.B. Ybañez	 DepED-BLR	
Approved by	R. C. La Rosa		

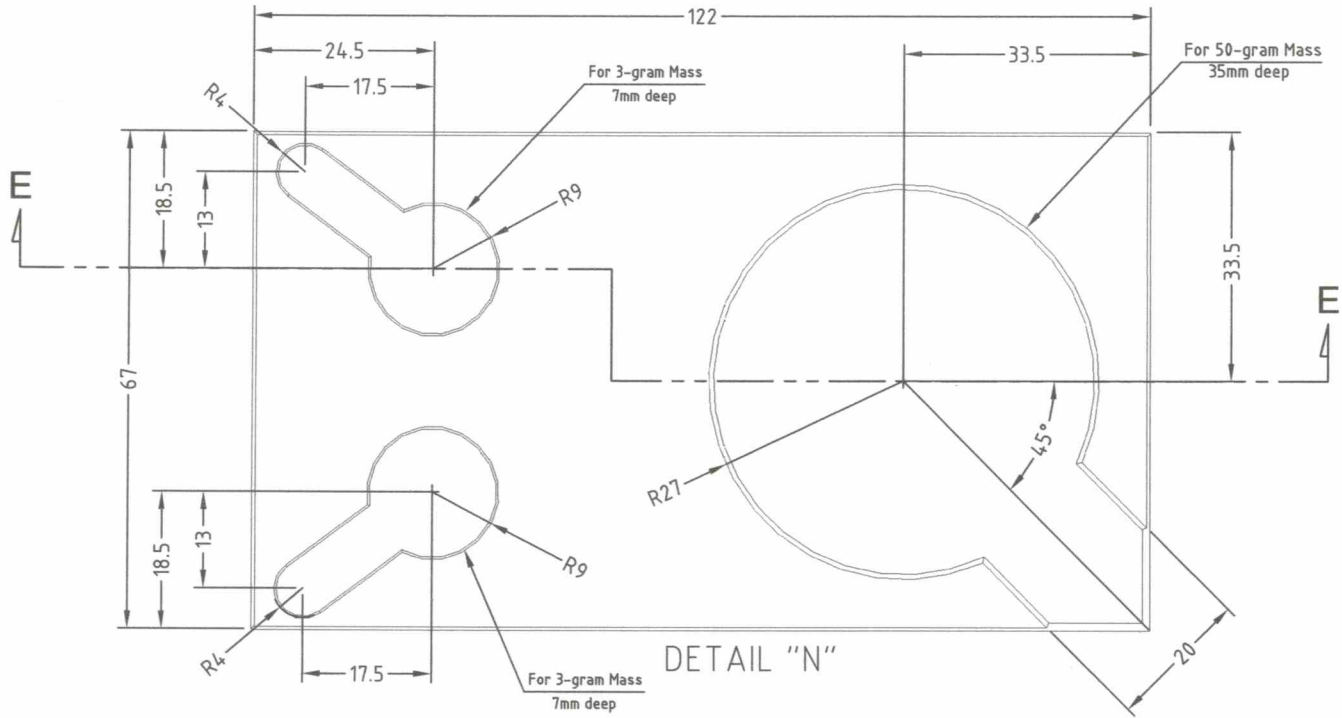
1 2 3 4 5 6

A

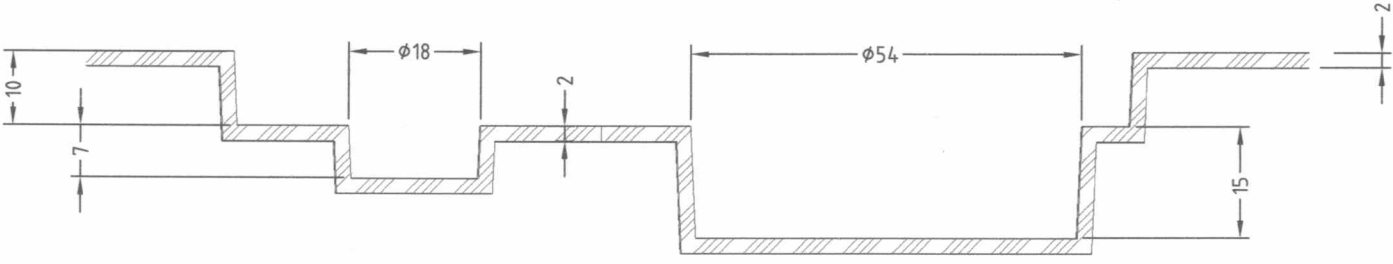
B

C

D



DETAIL "N"



E - E

- ×Use a 2.5° draft angle.
- ×Maintain a 1mm fillet radius on all corners and edges unless otherwise specified.
- ×Dimensions are in millimeters except otherwise specified.
- ×Smoothen sharp edges.
- ×Surface Roughness: Smooth, free from scratches.

GOVERNMENT PROPERTY

STORAGE CASES

Date	SEPT 2021	Scale	NTS
Conceptualized by			
Drawn by	B.C. Lisondra		Item Name
Designed by	Q.S.	Checked by	CASE 002
		J.N. Arida	Material
		A.B. Ybañez	ABS Thermoplastic, color Beige
		R.C. La Rosa	File name
			SCase 002
			DepED-BLR



TOLERANCES FOR LENGTH GAUGING						
Grade of Accuracy	Nominal Size	0.5 to 3	Over 3 to 6	Over 6 to 30	Over 30 to 120	Over 120 to 400
Medium		± 0.10	± 0.10	± 0.20	± 0.30	± 0.50

TOLERANCES FOR RADIUS & CHAMFERS					
Grade of Accuracy	Nominal Size	0.5 to 3	Over 3 to 6	Over 6 to 30	Over 30 to 120
Smooth		± 0.20	± 0.50	± 1.00	± 2.00
Medium		± 0.20	± 0.50	± 1.00	± 2.00

SYM	REVISION	DATE	BY

1 2 3 4 5 6