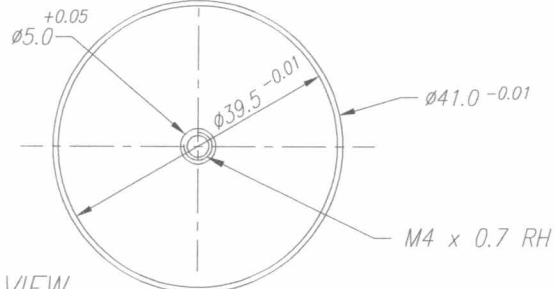
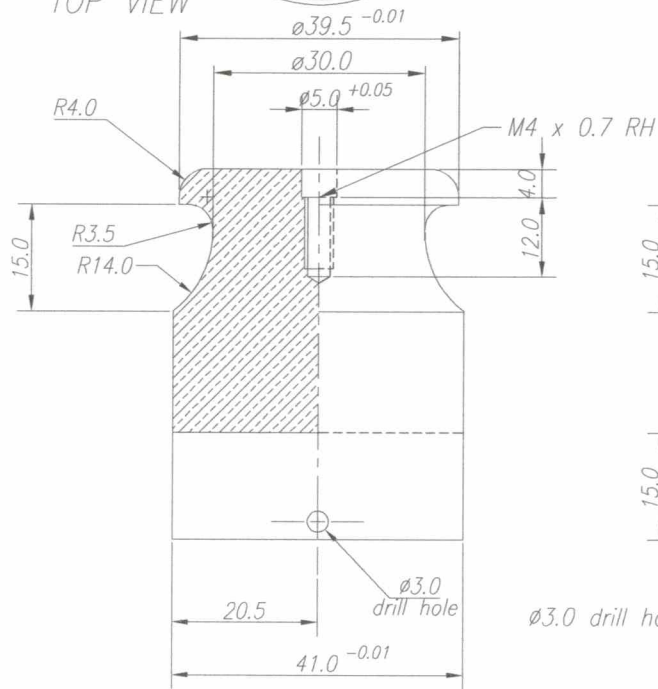


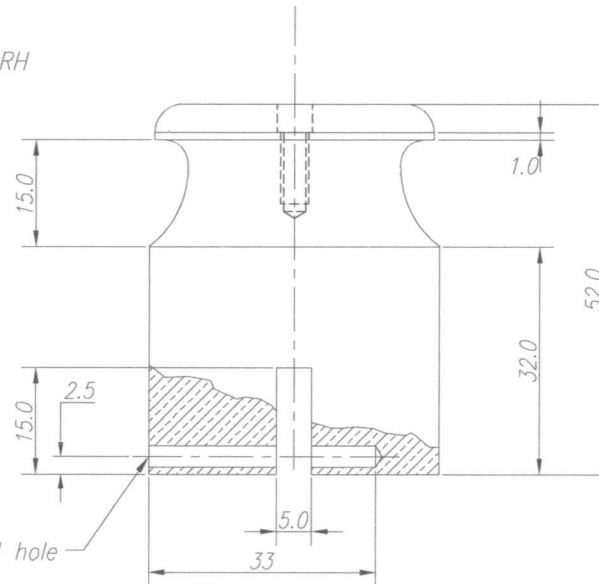
SCIKIT-MECHANICS



TOP VIEW



FRONT VIEW



RIGHT SIDE VIEW

- * Dimensions are in millimeters except otherwise specified.
- * File all sharp edges.
- * Surface Roughness @ 1.00 to 1.20 m

GOVERNMENT PROPERTY

HOOKED MASSES

Date	SEPT 2021	Scale	NTS
Conceptualized by			
Drawn by	B.C. Lisondra	Item Name	500±5gram Mass
Designed by		Material	Aluminum Bronze, SAE 701B
Q.C. Checked by	J.N. Arioja	File name	hokmas1
Recommended by	A.B. Ybañez	DepED-BLR	
Approved by	R. C. La Rosa		

TOLERANCES FOR LENGTH GAUGING

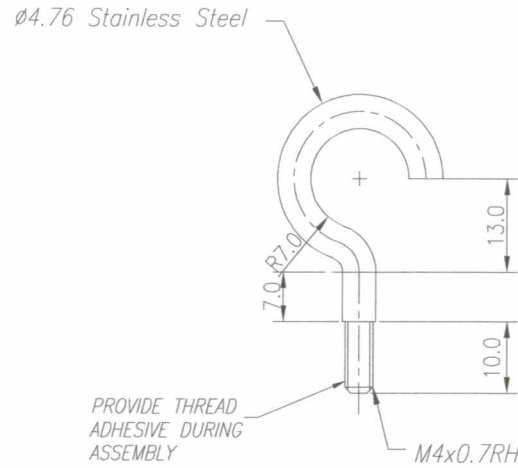
Grade of Accuracy	Nominal Size	0.5 to 3	Over 3 to 6	Over 6 to 30	Over 30 to 120	Over 120 to 400
Medium		± 0.10	± 0.10	± 0.20	± 0.30	± 0.50

TOLERANCES FOR RADIUS & CHAMFERS

Grade of Accuracy	Nominal Size	0.5 to 3	Over 3 to 6	Over 6 to 30	Over 30 to 120
Smooth		± 0.20	± 0.50	± 1.00	± 2.00
Medium		± 0.20	± 0.50	± 1.00	± 2.00

SYM	REVISION	DATE	BY

SCIKIT-MECHANICS



*Use "ARALDITE" rapid (high performance) Epoxy Adhesive (CIBA-GEIGY)

- * Dimensions are in millimeters except otherwise specified.
- * File all sharp edges.
- * Surface Roughness @ 1.00 to 1.20 μm

GOVERNMENT PROPERTY

HOOKED MASSES

Date	SEPT 2021	Scale	NTS
Conceptualized by			
Drawn by	B.C. Lisondra		Item Name
Designed by	Q.C. Checked by	J.N. Arrija	500±5gram Mass - Hook
Recommended by	A.B. Ybañez	Material	Stainless Steel
Approved by	R. C. La Rosa	File name	hokmas5

DepED-BLR

TOLERANCES FOR LENGTH GAUGING

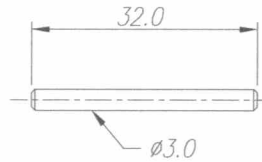
Grade of Accuracy	Nominal Size	0.5 to 3	Over 3 to 6	Over 6 to 30	Over 30 to 120	Over 120 to 400
Medium		± 0.10	± 0.10	± 0.20	± 0.30	± 0.50

TOLERANCES FOR RADIUS & CHAMFERS

Grade of Accuracy	Nominal Size	0.5 to 3	Over 3 to 6	Over 6 to 30	Over 30 to 120
Smooth		± 0.20	± 0.50	± 1.00	± 2.00
Medium		± 0.20	± 0.50	± 1.00	± 2.00

SYM	REVISION	DATE	BY

SCIKIT-MECHANICS



- * Dimensions are in millimeters except otherwise specified.
- * File all sharp edges.
- * Surface Roughness @ 1.00 to 1.20 μ m

GOVERNMENT PROPERTY

HOOKED MASSES

TOLERANCES FOR LENGTH GAUGING						
Grade of Accuracy	Nominal Size	0.5 to 3	Over 3 to 6	Over 6 to 30	Over 30 to 120	Over 120 to 400
Medium		± 0.10	± 0.10	± 0.20	± 0.30	± 0.50

TOLERANCES FOR RADIUS & CHAMFERS					
Grade of Accuracy	Nominal Size	0.5 to 3	Over 3 to 6	Over 6 to 30	Over 30 to 120
Smooth Medium		± 0.20	± 0.50	± 1.00	± 2.00

Date	SEPT 2021	Scale	NTS
Conceptualized by			
Drawn by	B.C. Lisondra	Item Name	500 \pm 5gram Mass - Pin
Designed by		Material	Aluminum Bronze, SAE 701B
Q.S. Checked by	J.N. Aridja	File name	hokmas7
Recommended by	A.B. Ybañez	DepED-BLR	
Approved by	R. C. La Rosa		

A
B
C
D

A
B
C
D

1 2 3 4 5 6

1 2 3 4 5 6