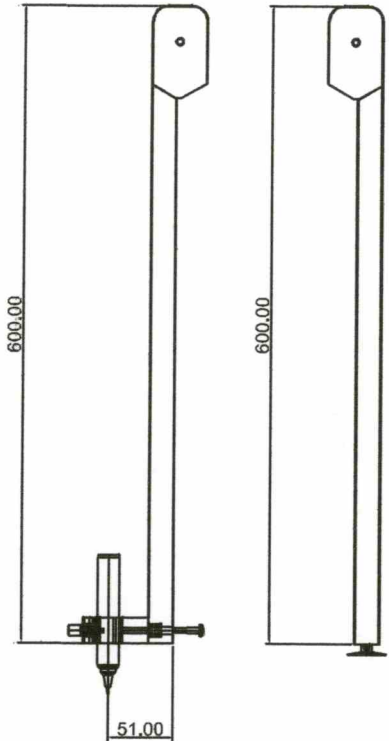
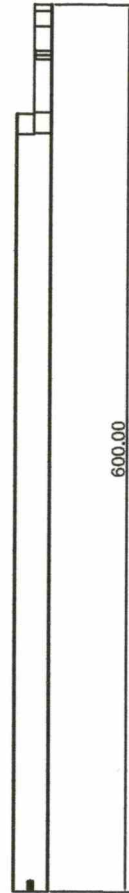


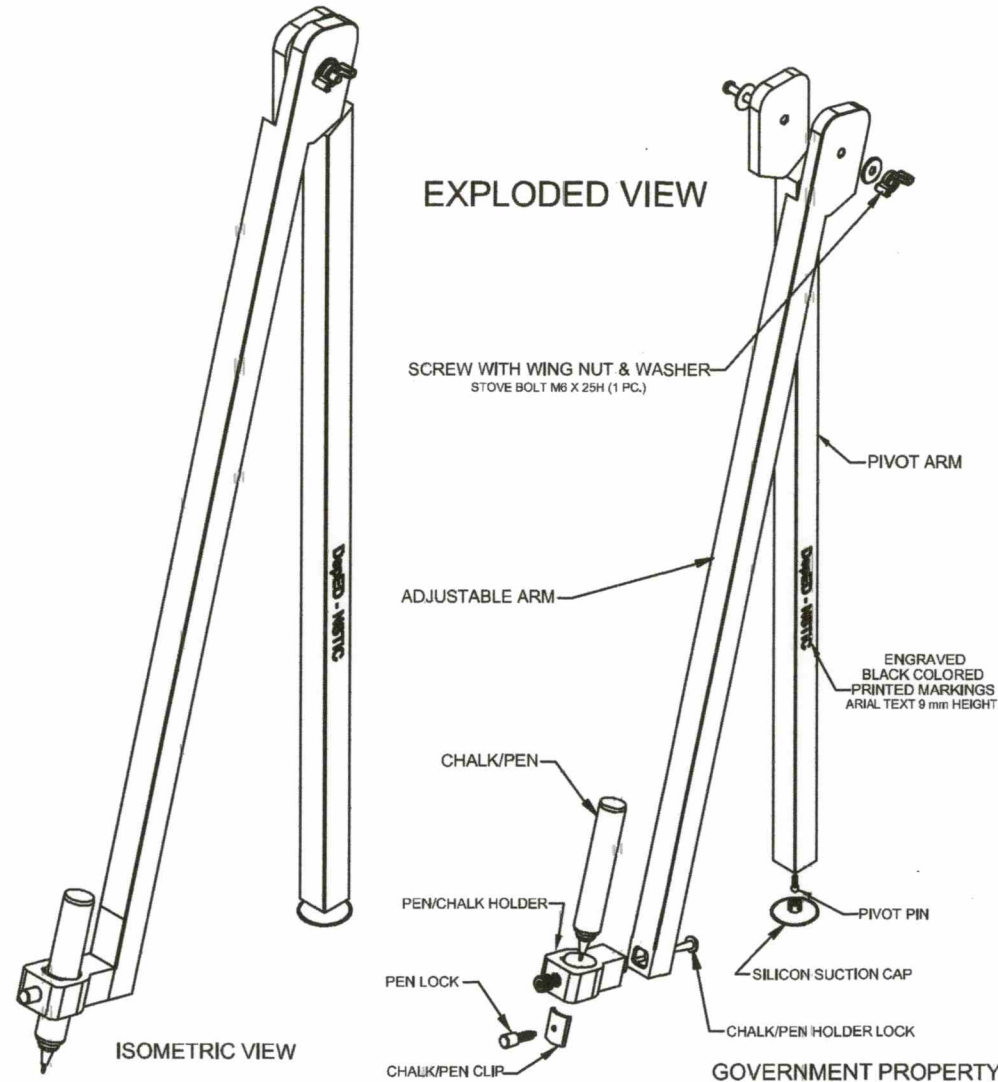
ADJUSTABLE ARM PIVOT ARM



FRONT VIEW



SIDE VIEW



ISOMETRIC VIEW

EXPLODED VIEW

- NOTE:
1. ALL DIMENSIONS ARE IN MILLIMETER UNLESS OTHERWISE SPECIFIED.
 2. SURFACES MUST BE WELL POLISHED.
 3. REMOVE SHARP EDGES.

TOLERANCES FOR LENGTH GAUGING


Grade of Accuracy	Nominal Size	0.5 to 3	Over 3 to 6	Over 6 to 30	Over 30 to 120	Over 120 to 400
Medium		± 0.10	± 0.10	± 0.20	± 0.30	± 0.60

TOLERANCES FOR RADIUS & CHAMFERS

Grade of Accuracy	Nominal Size	0.5 to 3	Over 3 to 6	Over 6 to 30	Over 30 to 120
Smooth Medium		± 0.20	± 0.50	± 1.00	± 2.00

SYM	REVISION	DATE	BY

Date	SEPT 2021	Scale	NTS
Conceptualized by			
Drawn by	B.C. Lisondra		
Designed by	B.C. Checked by		
	J.N. Arioja		
Recommended by	A.B. Ybañez		
Approved by	R. C. La Rosa		

BLACKBOARD COMPASS	
Item Name	BLACKBOARD COMPASS
Material	HARD WOOD
Sheet	01
File name	COMPASS
 DepED-BLR	

1 2 3 4 5 6

A

B

C

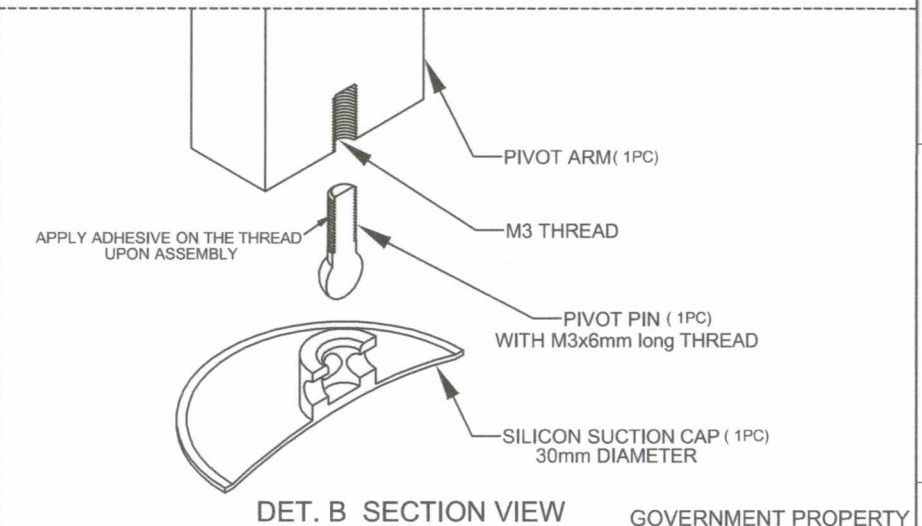
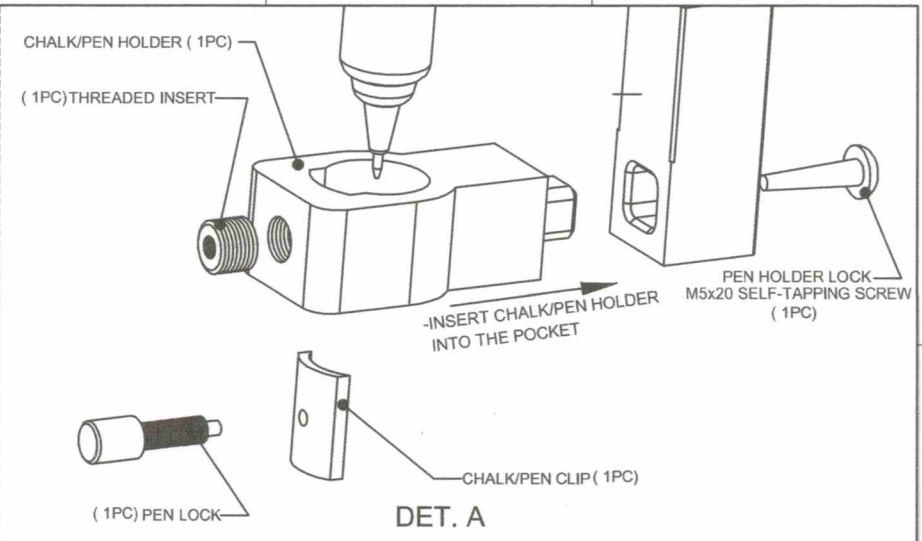
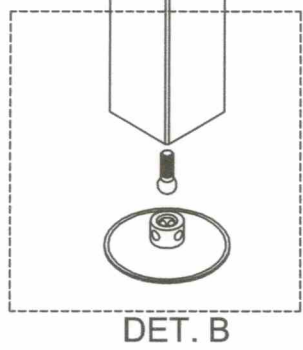
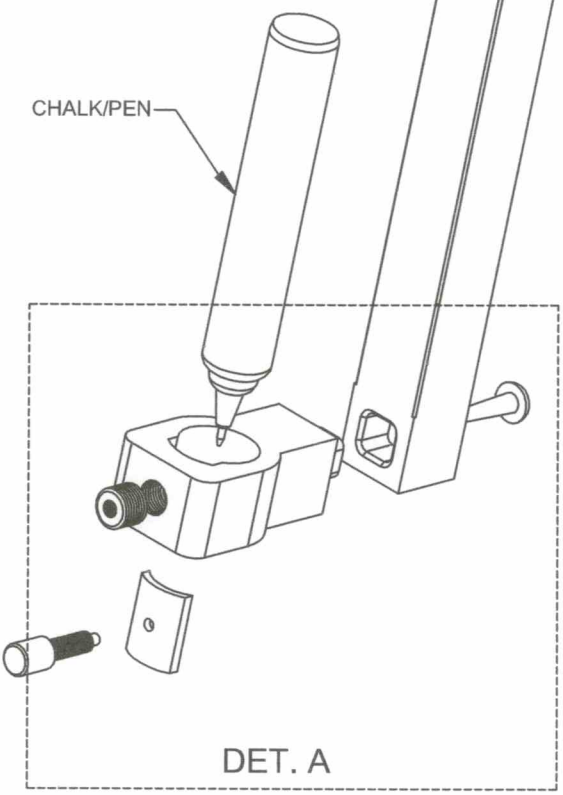
D

A

B

C

D




NOTE:
 1. ALL DIMENSIONS ARE IN MILLIMETER UNLESS OTHERWISE SPECIFIED.
 2. SURFACES MUST BE WELL POLISHED.
 3. REMOVE SHARP EDGES.

TOLERANCES FOR LENGTH GAUGING						
Grade of Accuracy	Nominal Size	0.5 to 3	Over 3 to 6	Over 6 to 30	Over 30 to 120	Over 120 to 400
Medium		± 0.10	± 0.10	± 0.20	± 0.30	± 0.50

TOLERANCES FOR RADIUS & CHAMFERS					
Grade of Accuracy	Nominal Size	0.5 to 3	Over 3 to 6	Over 6 to 30	Over 30 to 120
Smooth Medium		± 0.20	± 0.50	± 1.00	± 2.00

SYM	REVISION	DATE	BY

Date	SEPT 2021	Scale	NTS	BLACKBOARD COMPASS	
Conceptualized by					
Drawn by	B.C. Lisondra			Item Name	BLACKBOARD COMPASS ASSEMBLY
Designed by				Material	HARD WOOD
				Sheet	02
				File name	COMPASS
				 DepED-BLR	
Recommended by	A.B. Ybañez				
Approved by	R. C. La Rosa				

1

2

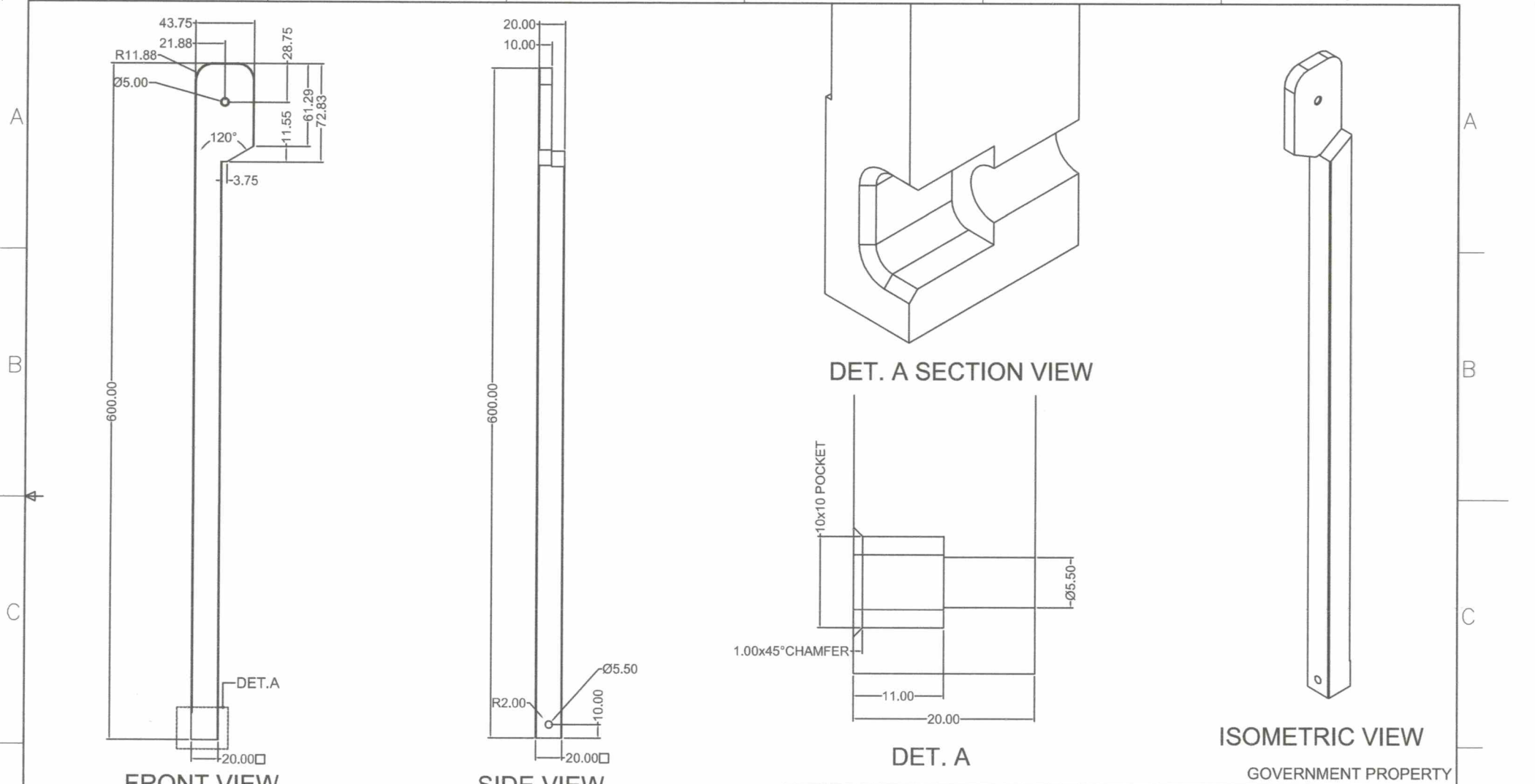
3

4

6

GOVERNMENT PROPERTY

1 2 3 4 5 6




NOTE:
 1. ALL DIMENSIONS ARE IN MILLIMETER UNLESS OTHERWISE SPECIFIED.
 2. SURFACES MUST BE WELL POLISHED.
 3. REMOVE SHARP EDGES.

TOLERANCES FOR LENGTH GAUGING						
Grade of Accuracy	Nominal Size	0.5 to 3	Over 3 to 6	Over 6 to 30	Over 30 to 120	Over 120 to 400
Medium		± 0.10	± 0.10	± 0.20	± 0.30	± 0.50

TOLERANCES FOR RADIUS & CHAMFERS					
Grade of Accuracy	Nominal Size	0.5 to 3	Over 3 to 6	Over 6 to 30	Over 30 to 120
Smooth		± 0.20	± 0.50	± 1.00	± 2.00
Medium					

GOVERNMENT PROPERTY

Date	SEPT 2021	Scale	NTS
Conceptualized by			
Drawn by	B.C. Lisonda	Item Name	ADJUSTABLE ARM
Designed by	J.C. Checked by	Material	HARD WOOD
	J.N. Arjoja	Sheet	03
Recommended by	A.B. Ybañez	File name	COMPASS
Approved by	R. C. La Rosa	 DepED-BLR	

1 2 3 4 5 6

1 2 3 4 5 6

A

B

C

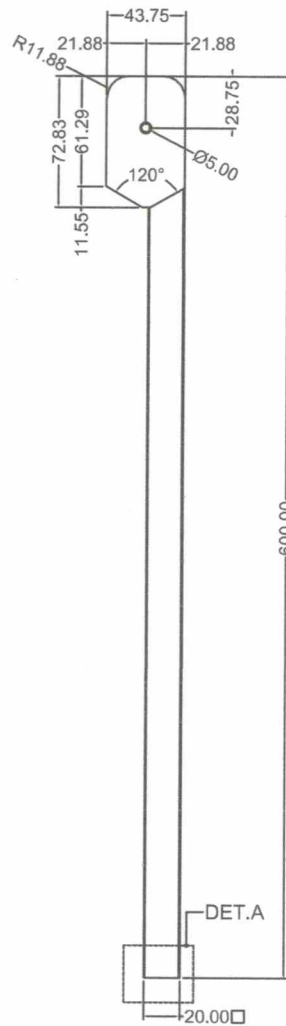
D

A

B

C

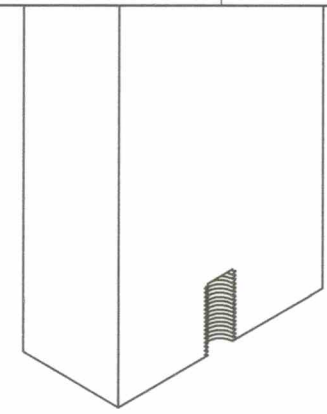
D



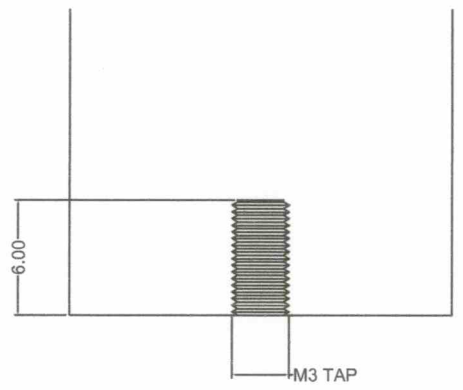
FRONT VIEW



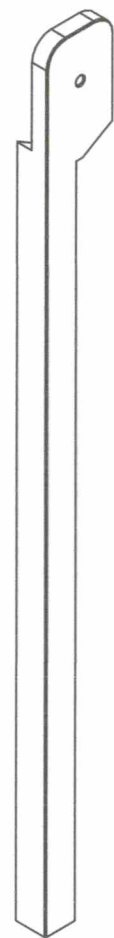
SIDE VIEW



DET. A SECTION VIEW



DET. A



ISOMETRIC VIEW


GOVERNMENT PROPERTY

- NOTE:
1. ALL DIMENSIONS ARE IN MILLIMETER UNLESS OTHERWISE SPECIFIED.
 2. SURFACES MUST BE WELL POLISHED.
 3. REMOVE SHARP EDGES.

TOLERANCES FOR LENGTH GAUGING						
Grade of Accuracy	Nominal Size	0.5 to 3	Over 3 to 6	Over 6 to 30	Over 30 to 120	Over 120 to 400
Medium		± 0.10	± 0.10	± 0.20	± 0.30	± 0.50

TOLERANCES FOR RADIUS & CHAMFERS					
Grade of Accuracy	Nominal Size	0.5 to 3	Over 3 to 6	Over 6 to 30	Over 30 to 120
Smooth		± 0.20	± 0.50	± 1.00	± 2.00
Medium		± 0.20	± 0.50	± 1.00	± 2.00

SYM	REVISION	DATE	BY

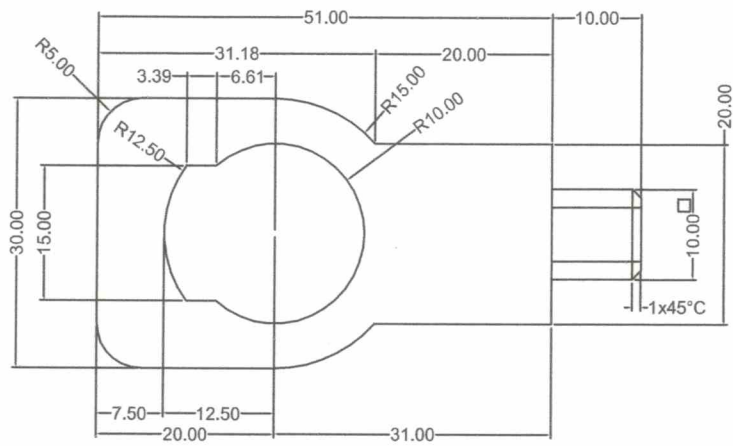
Date	SEPT 2021	Scale	NTS	BLACKBOARD COMPASS	
Conceptualized by					
Drawn by	B.C. Lisonda			Item Name	PIVOT ARM
Designed by				Material	HARD WOOD
Checked by	J.N. Arioja			Sheet	04
Recommended by	A.B. Ybañez			File name	COMPASS
Approved by	R. C. La Rosa			 DepED-BLR	

1 2 3 4 5 6

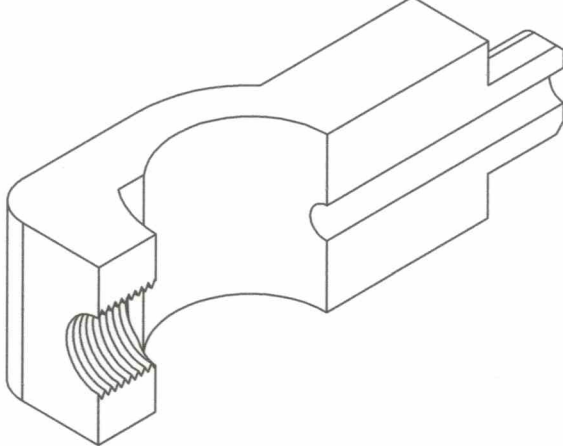
1 2 3 4 5 6

A

A



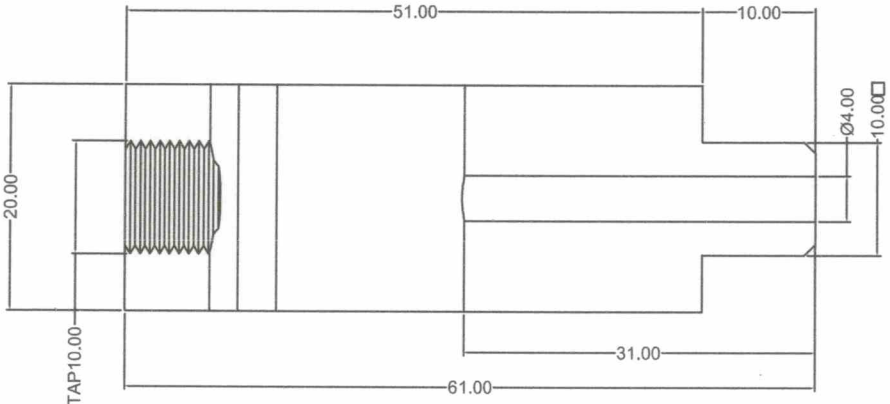
TOP VIEW



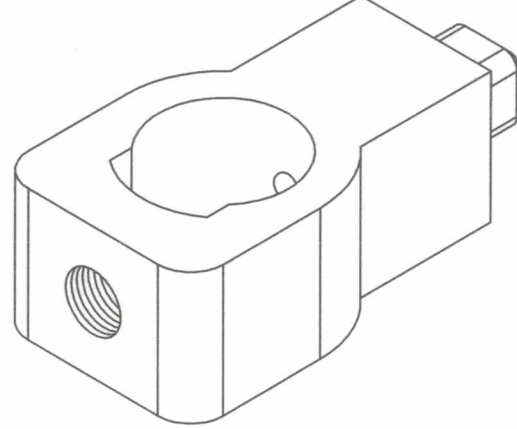
SECTION VIEW

B

B




FRONT VIEW



ISOMETRIC VIEW

GOVERNMENT PROPERTY

- NOTE:
1. ALL DIMENSIONS ARE IN MILLIMETER UNLESS OTHERWISE SPECIFIED.
 2. SURFACES MUST BE WELL POLISHED.
 3. REMOVE SHARP EDGES.

Date	SEPT 2021	Scale	NTS	BLACKBOARD COMPASS	
Conceptualized by					
Drawn by	B.C. Lisondra	Item Name	CHALK/PEN HOLDER		Sheet 05
Designed by		Material	HARD WOOD		File name COMPASS
Q.C. Checked by	J.N. Arioja	 DepED-BLR			
Recommended by	A.B. Ybafiez				
Approved by	R. C. La Rosa				

TOLERANCES FOR LENGTH GAUGING						SYM	REVISION	DATE	BY
Grade of Accuracy	Nominal Size	0.5 to 3	Over 3 to 6	Over 6 to 30	Over 30 to 120				
Medium		± 0.10	± 0.10	± 0.20	± 0.30	± 0.50			
TOLERANCES FOR RADIUS & CHAMFERS						SYM	REVISION	DATE	BY
Grade of Accuracy	Nominal Size	0.5 to 3	Over 3 to 6	Over 6 to 30	Over 30 to 120				
Smooth		± 0.20	± 0.50	± 1.00	± 2.00				
Medium									

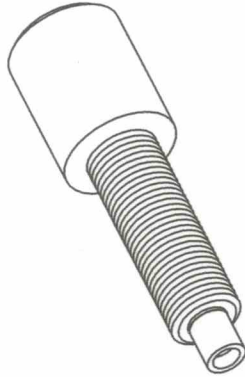
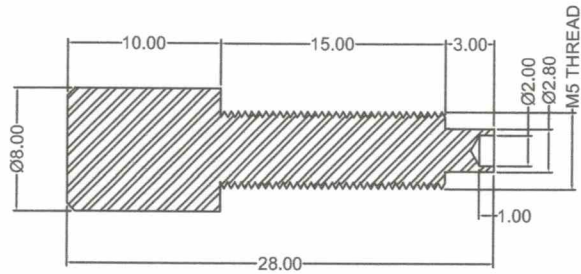
1 2 3 4 5 6

D

D

CHALK/PEN LOCK (1PC)

MATERIAL : STAINLESS STEEL

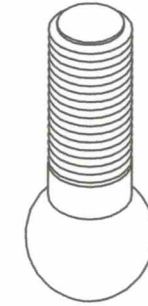
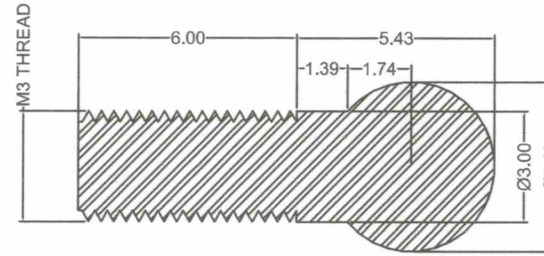


SECTION VIEW

ISOMETRIC VIEW

PIVOT PIN (1PC)

MATERIAL : STAINLESS STEEL

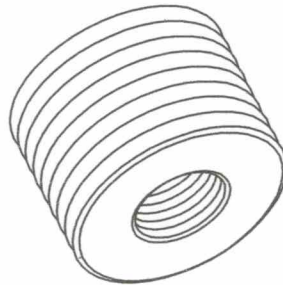
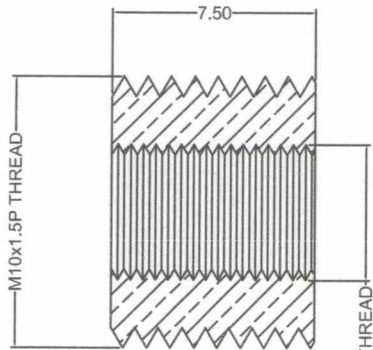


SECTION VIEW

ISOMETRIC VIEW

THREADED INSERT (1PC)

MATERIAL : BRASS

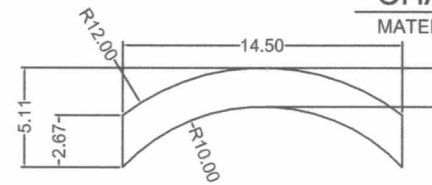


FRONT VIEW

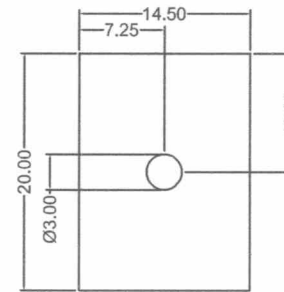
ISOMETRIC VIEW

CHALK/PEN CLIP (1PC)

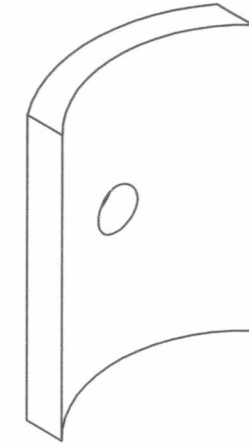
MATERIAL : STAINLESS STEEL



TOP VIEW



FRONT VIEW



ISOMETRIC VIEW

GOVERNMENT PROPERTY

NOTE:

1. ALL DIMENSIONS ARE IN MILLIMETER UNLESS OTHERWISE SPECIFIED.
2. SURFACES MUST BE WELL POLISHED.
3. REMOVE SHARP EDGES.

TOLERANCES FOR LENGTH GAUGING

Grade of Accuracy	Nominal Size	0.5 to 3	Over 3 to 6	Over 6 to 30	Over 30 to 120	Over 120 to 400
Medium		± 0.10	± 0.10	± 0.20	± 0.30	± 0.50

TOLERANCES FOR RADIUS & CHAMFERS

Grade of Accuracy	Nominal Size	0.5 to 3	Over 3 to 6	Over 6 to 30	Over 30 to 120
Smooth		± 0.20	± 0.50	± 1.00	± 2.00
Medium		± 0.20	± 0.50	± 1.00	± 2.00

Date: SEPT 2021 Scale: NTS

Conceptualized by

Drawn by: B.C. Lisondra

Designed by: J.N. Arioja

Checked by: A.B. Ybañez

Recommended by: A.B. Ybañez

Approved by: R. C. La Rosa

BLACKBOARD COMPASS

Item Name: ASSORTED PARTS
Material: STAINLESS STEEL

Sheet: 06
File name: COMPASS



DepED-BLR

SYM	REVISION	DATE	BY