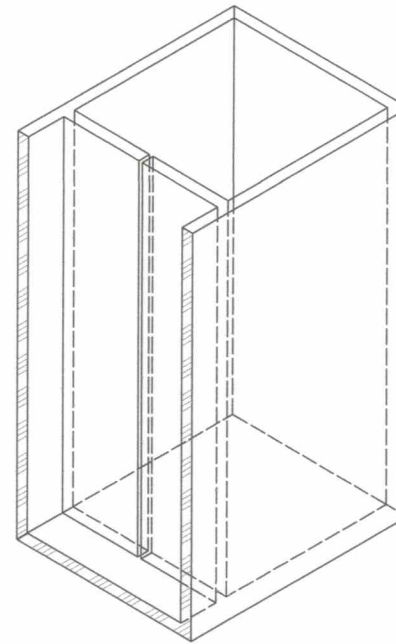
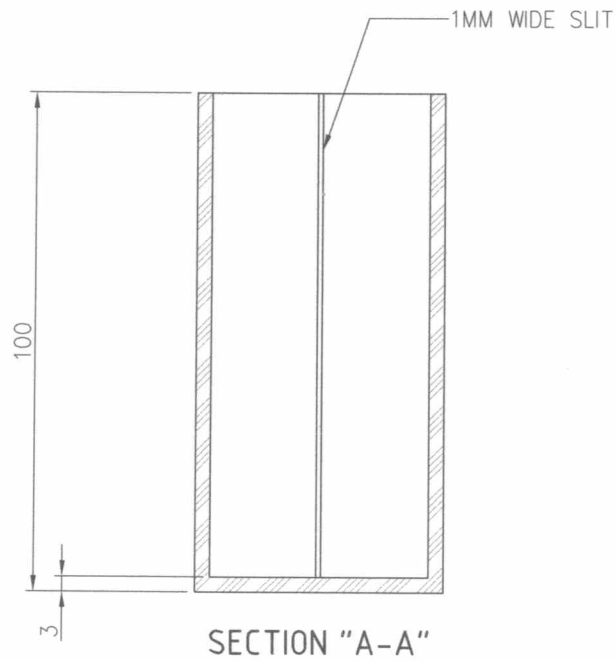


GENSCI



ISOMETRIC

NOTE: \*Dimensions are in millimeters.  
\*Smoothen sharp edges.

GOVERNMENT PROPERTY

CONVECTION TANK

TOLERANCES FOR LENGTH GAUGING						
Grade of Accuracy	Nominal Size	Over 0.5 to 3	Over 3 to 6	Over 6 to 30	Over 30 to 120	Over 120 to 400
Medium		± 0.10	± 0.10	± 0.20	± 0.30	± 0.50

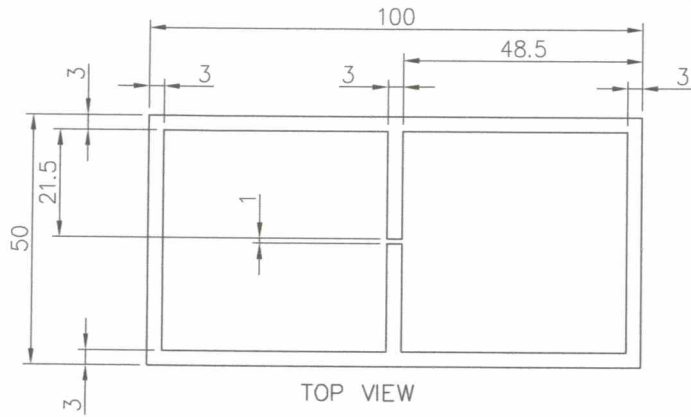
TOLERANCES FOR RADIUS & CHAMFERS					
Grade of Accuracy	Nominal Size	Over 0.5 to 3	Over 3 to 6	Over 6 to 30	Over 30 to 120
Smooth		± 0.20	± 0.50	± 1.00	± 2.00
Medium					

Date	SEPT 2021	Scale	NTS
Conceptualized by			
Drawn by	B.C. Lisondra		
Designed by	Q.C. Checked by		
	J.N. Arriola		
Recommended by	A.B. Ybañez		
Approved by	R. C. La Rosa		

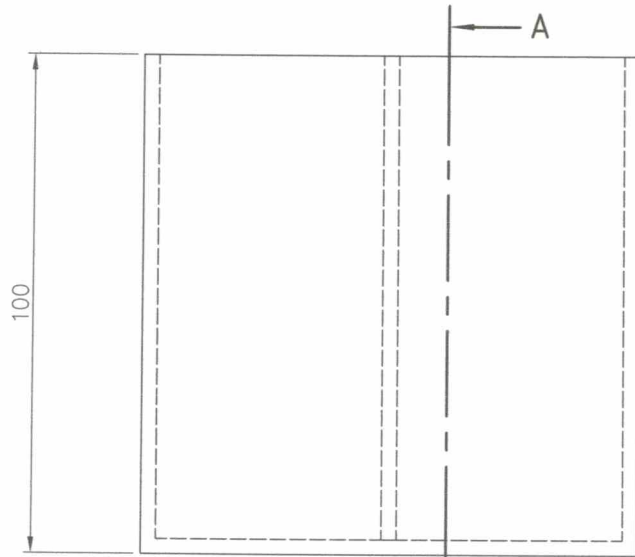
Item Name	CONVECTION TANK		Sheet
Material	PolyCarbonate Thermoplastic, Transparent & Clear		File name
			ConvTnkini
<b>DepED-BLR</b>			

1 2 3 4 5 6

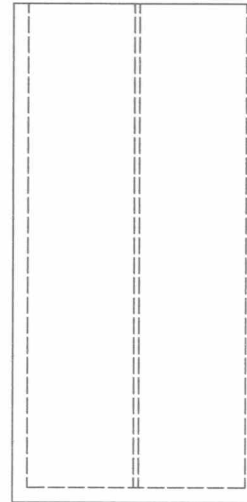
GENSCI



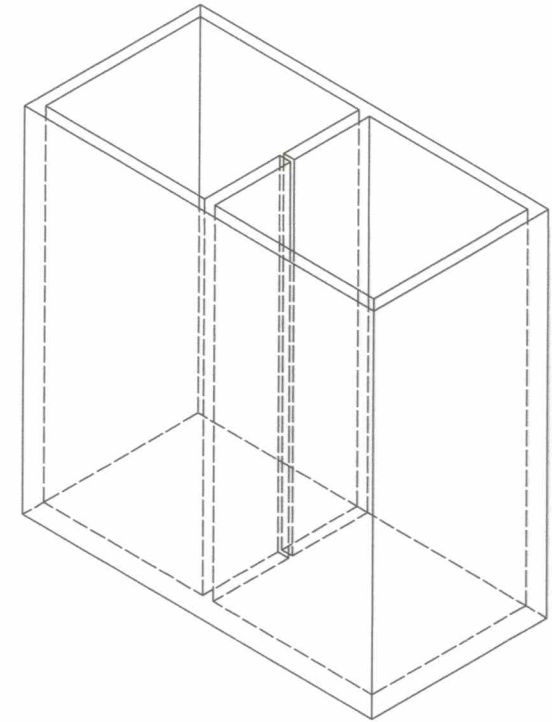
TOP VIEW



FRONT VIEW



SIDE VIEW



ISOMETRIC

NOTE: \*Dimensions are in millimeters.  
\*Smoothen sharp edges.

TOLERANCES FOR LENGTH GAUGING						
Grade of Accuracy	Nominal Size	Over 0.5 to 3	Over 3 to 6	Over 6 to 30	Over 30 to 120	Over 120 to 400
Medium		± 0.10	± 0.10	± 0.20	± 0.30	± 0.50

TOLERANCES FOR RADIUS & CHAMFERS					
Grade of Accuracy	Nominal Size	Over 0.5 to 3	Over 3 to 6	Over 6 to 30	Over 30 to 120
Smooth Medium		± 0.20	± 0.50	± 1.00	± 2.00

SYM	REVISION	DATE	BY

Date	SEPT 2021	Scale	NTS
Conceptualized by			
Drawn by	B.C. Lisondra		
Designed by			
Checked by	J.N. Arida		
Recommended by	A.B. Ybañez		
Approved by	R. C. La Rosa		

GOVERNMENT PROPERTY	
<b>CONVECTION TANK</b>	
Item Name	CONVECTION TANK
Material	PolyCarbonate Thermoplastic, Transparent & Clear
File name	ConvTnkinj
<b>DepED-BLR</b>	