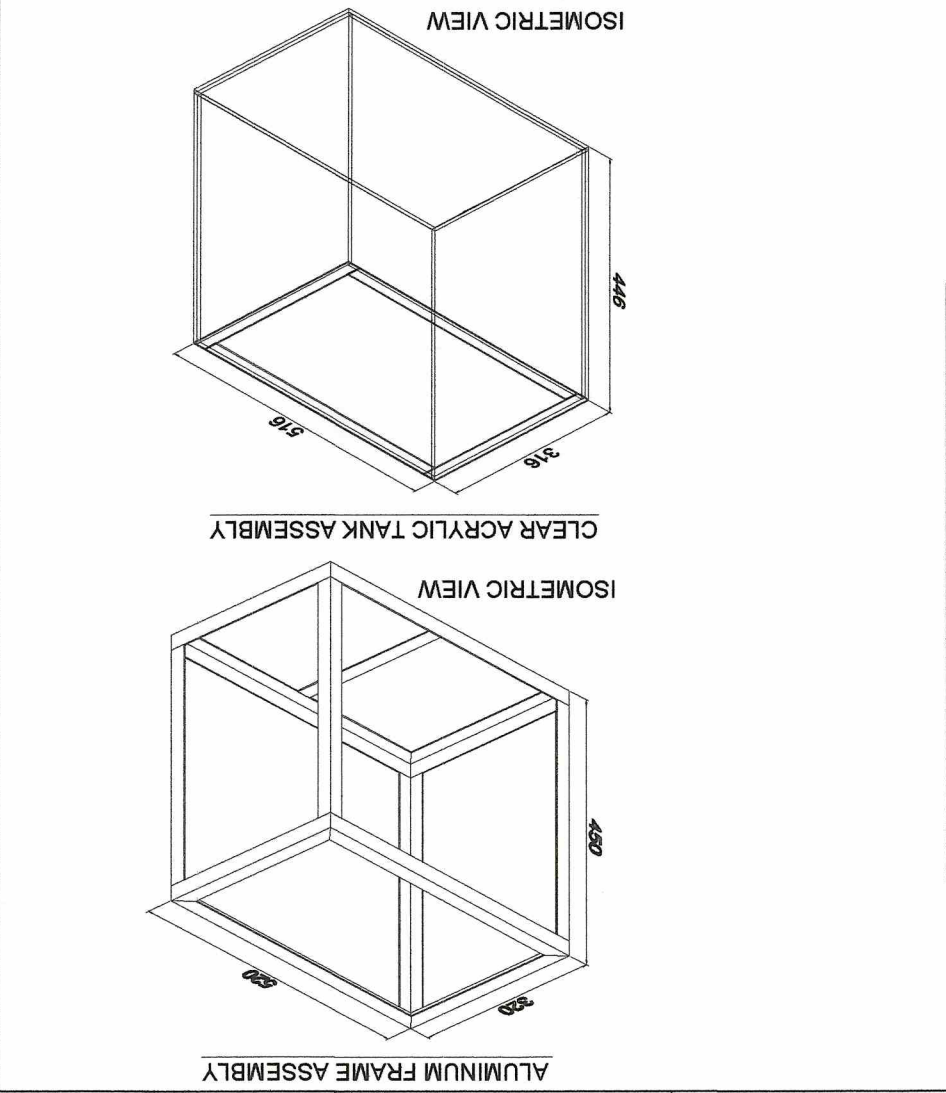
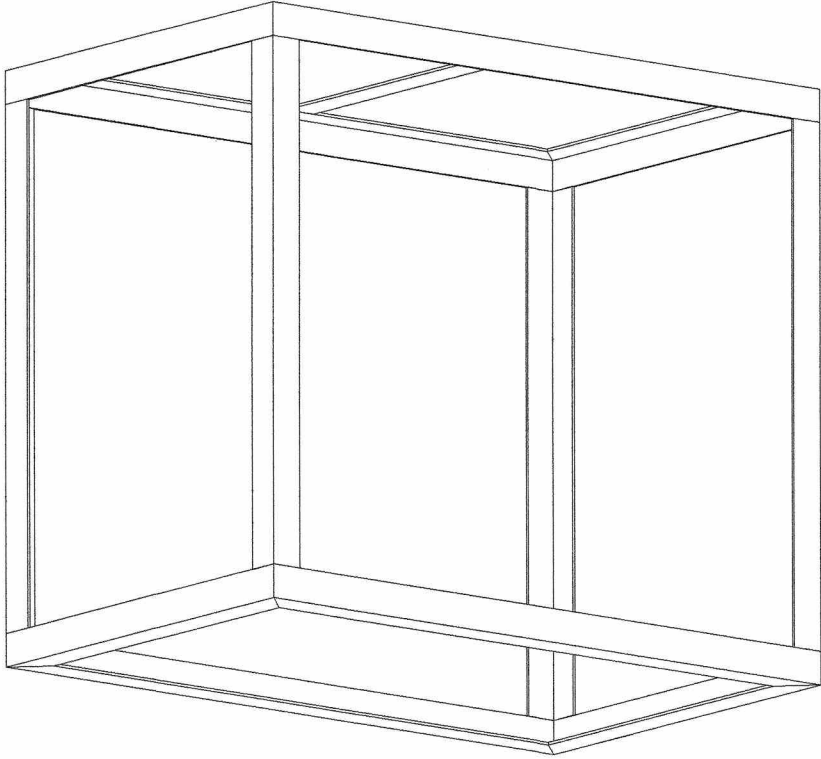


Date JANUARY 2021		Scale NTS	Conceptualized by
Item Name BRACED FRESH WATER ACRYLIC AQUARIUM		Drawn by B C Lisondra	
Sheet 01/02	TANK AND FRAME ASSEMBLY		
File name	Material CLEAR ACRYLIC PLASTIC 8 mm THICKNESS ANODIZED ALUMINUM ANGLE BAR 1 in. X 2 mm THICKNESS		
Approved by R C La Rosa		Recommended by M S Maguillas	



ALUMINUM FRAME WITH CLEAR ACRYLIC TANK ASSEMBLY



MATERIALS:
1. ANODIZED ALUMINUM ANGLE BAR - 1 in. x 1 in. x 2 mm THICKNESS, COLOR GRAY
2. CLEAR ACRYLIC PLASTIC - 8 mm THICKNESS

NOTES:
1. All dimensions are in millimeter unless otherwise specified
2. Remove burrs and sharp edges
3. Acrylic tank must be properly glued to avoid leak

TOLERANCES FOR LENGTH GAUGING		TOLERANCES FOR RADIUS & CHAMFERS	
Grade of Accuracy	Size	Grade of Accuracy	Size
Normal	0.5 to 3	Normal	0.5 to 3
Medium	± 0.10	Medium	± 0.10
Smooth	± 0.20	Smooth	± 0.20
Over	Over	Over	Over
3 to 6	3 to 6	3 to 6	3 to 6
6 to 30	6 to 30	6 to 30	6 to 30
30 to 120	30 to 120	30 to 120	30 to 120
Over	Over	Over	Over
± 2.00	± 1.00	± 0.80	± 0.20

DepED-BLR



Approved by
R C La Rosa

Recommended by
M S Maguillas

Designed by
Q.C. Checked by

01/02

