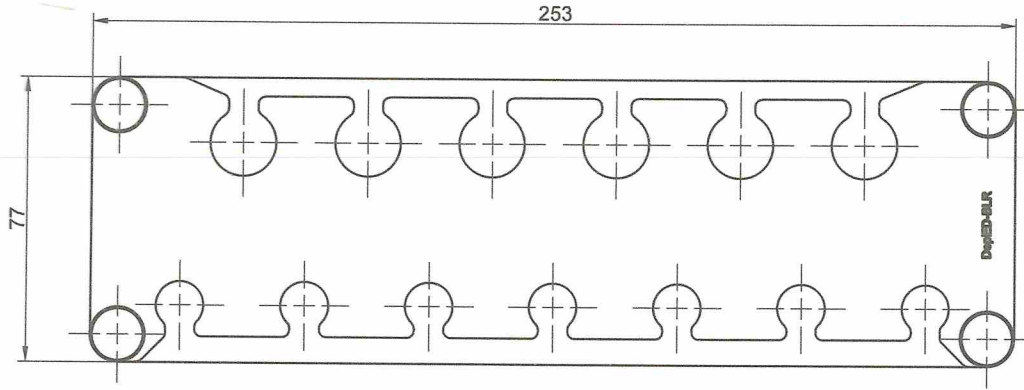
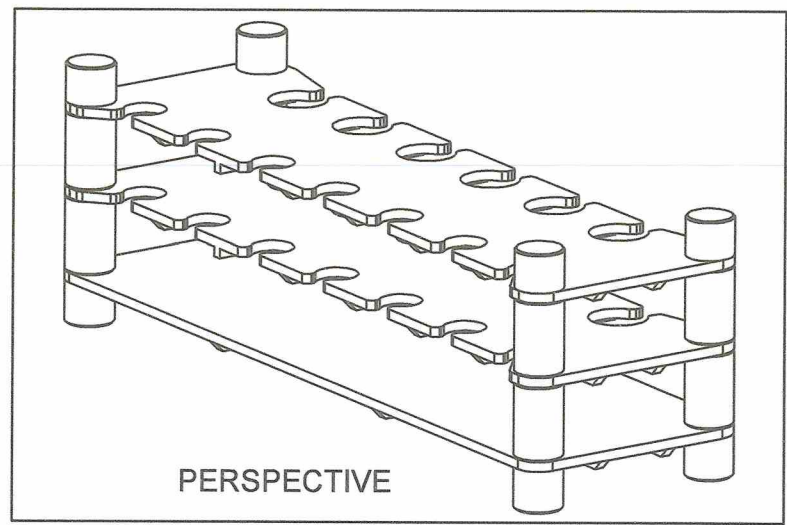


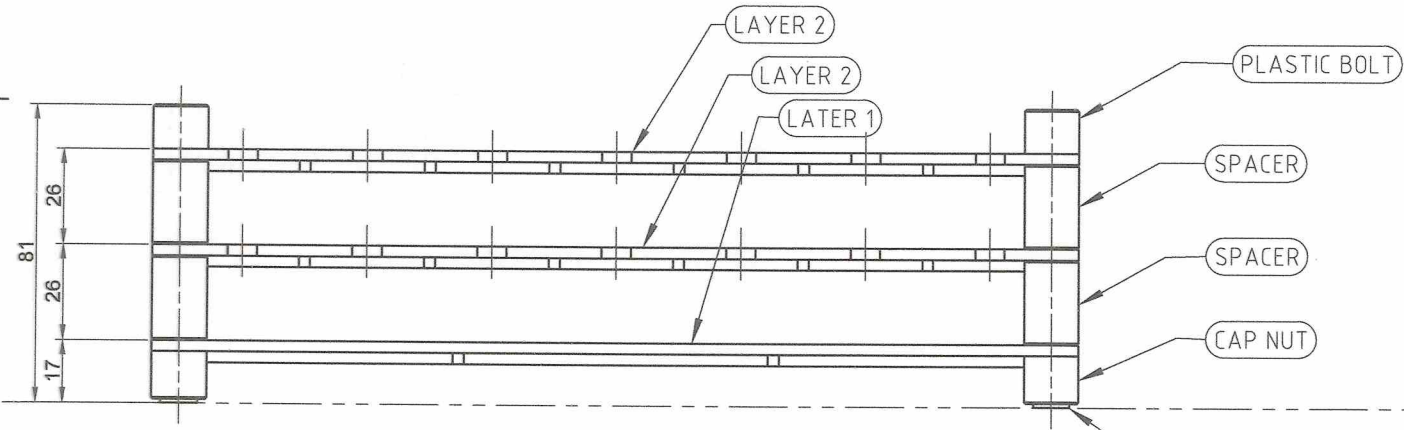
SCIKIT - BASIC



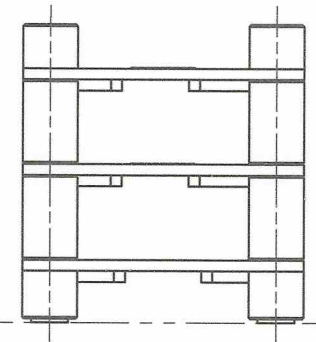
TOP VIEW



PERSPECTIVE



FRONT VIEW



SIDE VIEW



GOVERNMENT PROPERTY

TOLERANCES FOR LENGTH GAUGING						
Grade of Accuracy	Nominal Size	0.5 to 3	Over 3 to 6	Over 6 to 30	Over 30 to 120	Over 120 to 400
Medium		$\pm 0.10$	$\pm 0.10$	$\pm 0.20$	$\pm 0.30$	$\pm 0.50$

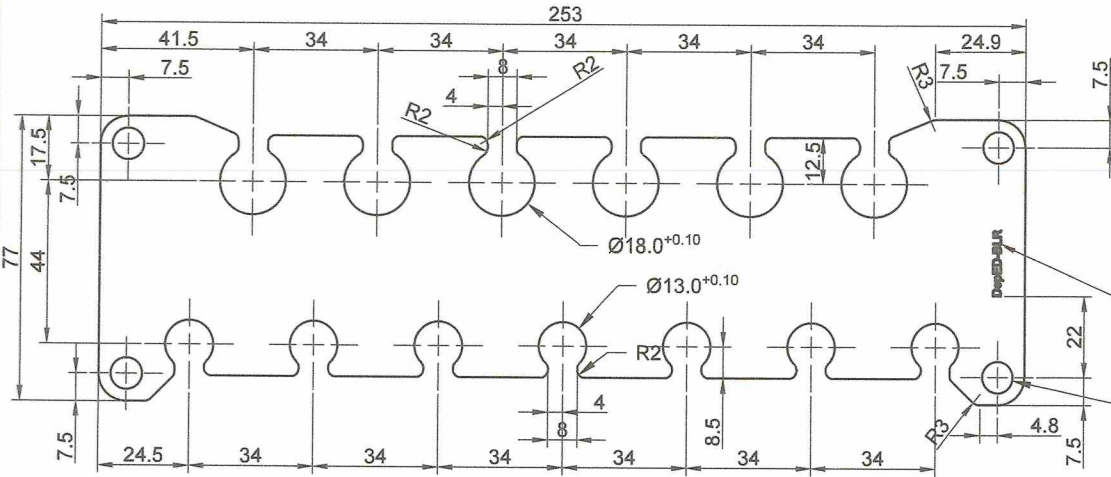
  

TOLERANCES FOR RADIUS & CHAMFERS					
Grade of Accuracy	Nominal Size	0.5 to 3	Over 3 to 6	Over 6 to 30	Over 30 to 120
Smooth		$\pm 0.20$	$\pm 0.50$	$\pm 1.00$	$\pm 2.00$
Medium					

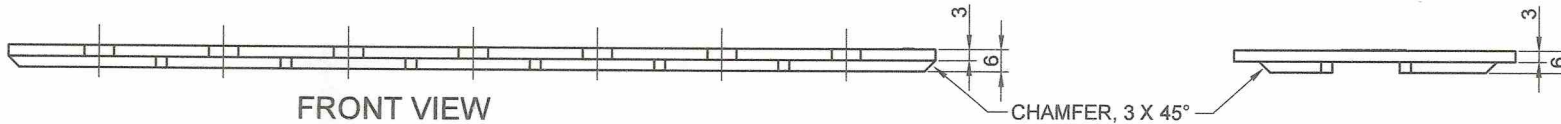
SYM	REVISION	DATE	BY

Date SEPT 2021	Scale NTS	<b>TEST TUBE RACK</b>	
Conceptualized by M.S. MAQUILAS			
Drawn by B.C. Lisondra	Checked by J.N. Arioja	Material	File name tst.tb.rack.dwg
Recommended by A.B. Ybañez	Approved by R. C. La Rosa	 <b>DepED-BLR</b>	
			

SCIKIT- BASIC

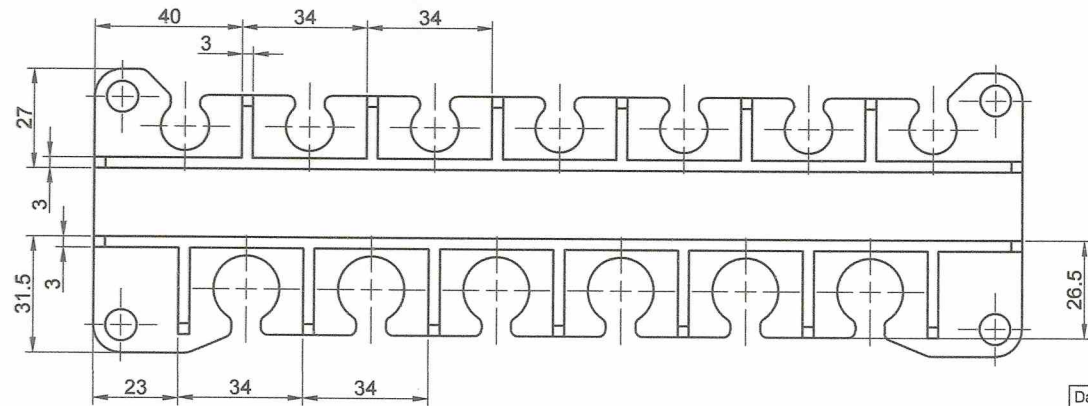


TOP VIEW

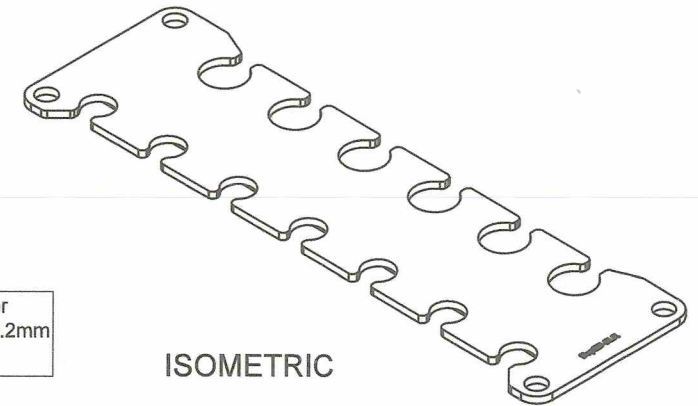


FRONT VIEW

SIDE VIEW



BOTTOM VIEW



ISOMETRIC

DepED-BLR Marker  
Emboss Height = 0.2mm  
Font Type = Arial


NOTE:  
Dimensions are in millimeters except otherwise specified.  
Smoothen sharp edges.  
Surface Roughness:  $\nabla$  1.20 to 1.40 (outer)

GOVERNMENT PROPERTY

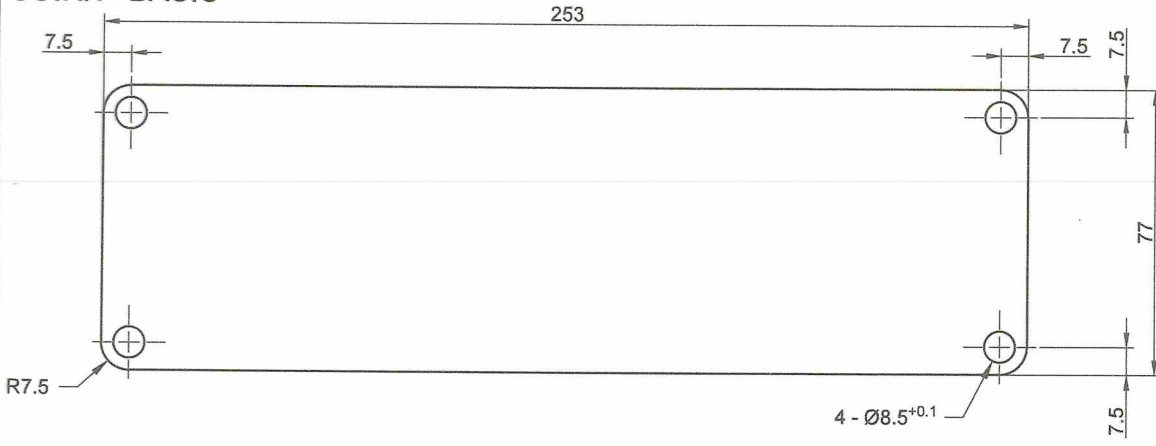
TOLERANCES FOR LENGTH GAUGING						
Grade of Accuracy	Nominal Size	0.5 to 3	Over 3 to 6	Over 6 to 30	Over 30 to 120	Over 120 to 400
Medium		$\pm 0.10$	$\pm 0.10$	$\pm 0.20$	$\pm 0.30$	$\pm 0.50$

TOLERANCES FOR RADIUS & CHAMFERS					
Grade of Accuracy	Nominal Size	0.5 to 3	Over 3 to 6	Over 6 to 30	Over 30 to 120
Smooth		$\pm 0.20$	$\pm 0.50$	$\pm 1.00$	$\pm 2.00$
Medium		$\pm 0.20$	$\pm 0.50$	$\pm 1.00$	$\pm 2.00$

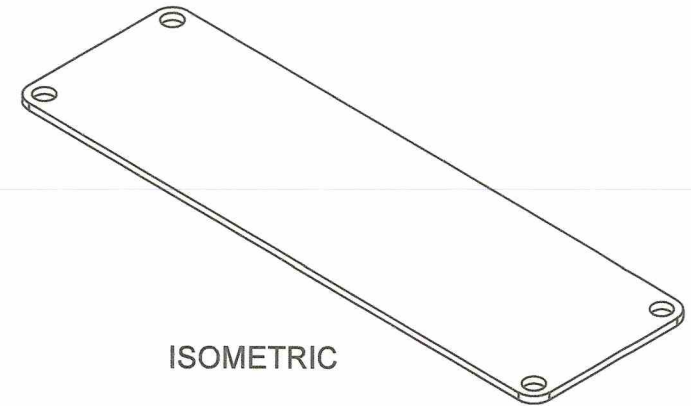
SYM	REVISION	DATE	BY

Date	SEPT 2021	Scale	NTS	<b>TEST TUBE RACK</b>	
Conceptualized by	M.S. MAQUILAS				
Drawn by	B.C. Lisondra			Material	ABS THERMOPLASTIC, WHITE
Designed by	Q.C. Checked by			File name	tst.tb.rack.dwg
Recommended by	A.B. Ybanez			 <b>DepED-BLR</b>	
Approved by	R. C. La Rosa				

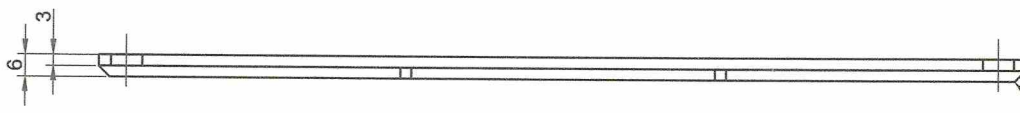
SCIKIT- BASIC



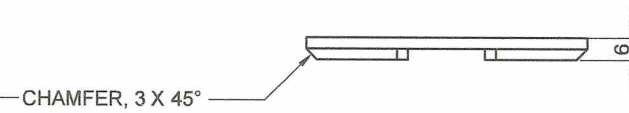
TOP VIEW



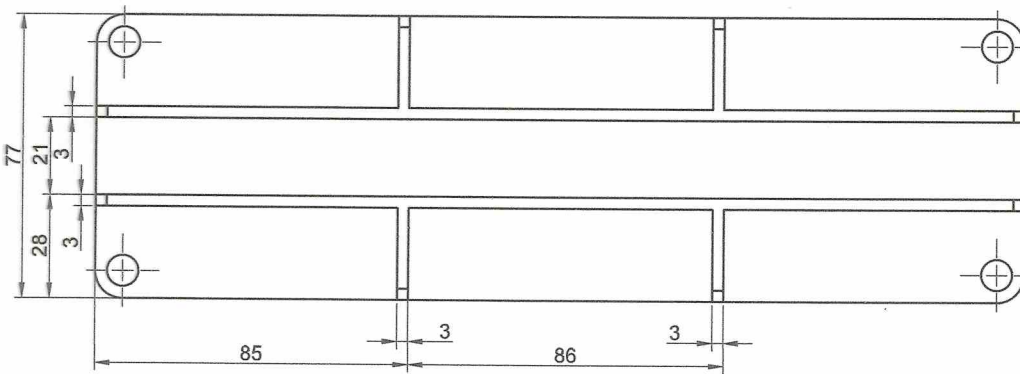
ISOMETRIC



FRONT VIEW



SIDE VIEW



BOTTOM VIEW


NOTE:  
 Dimensions are in millimeters except otherwise specified.  
 Smoothen sharp edges.  
 Surface Roughness:  $\nabla \nabla$  1.20 to 1.40  $\mu$ m (outer)

GOVERNMENT PROPERTY

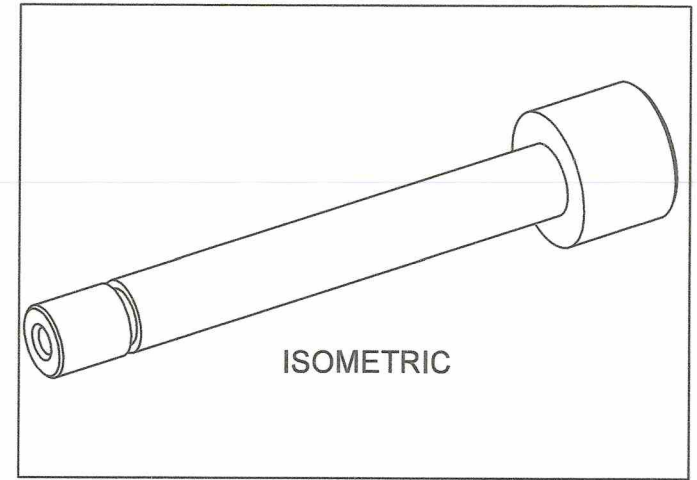
TOLERANCES FOR LENGTH GAUGING						
Grade of Accuracy	Nominal Size	0.5 to 3	Over 3 to 6	Over 6 to 30	Over 30 to 120	Over 120 to 400
Medium		$\pm 0.10$	$\pm 0.10$	$\pm 0.20$	$\pm 0.30$	$\pm 0.50$

TOLERANCES FOR RADIUS & CHAMFERS					
Grade of Accuracy	Nominal Size	0.5 to 3	Over 3 to 6	Over 6 to 30	Over 30 to 120
Smooth		$\pm 0.20$	$\pm 0.50$	$\pm 1.00$	$\pm 2.00$
Medium					

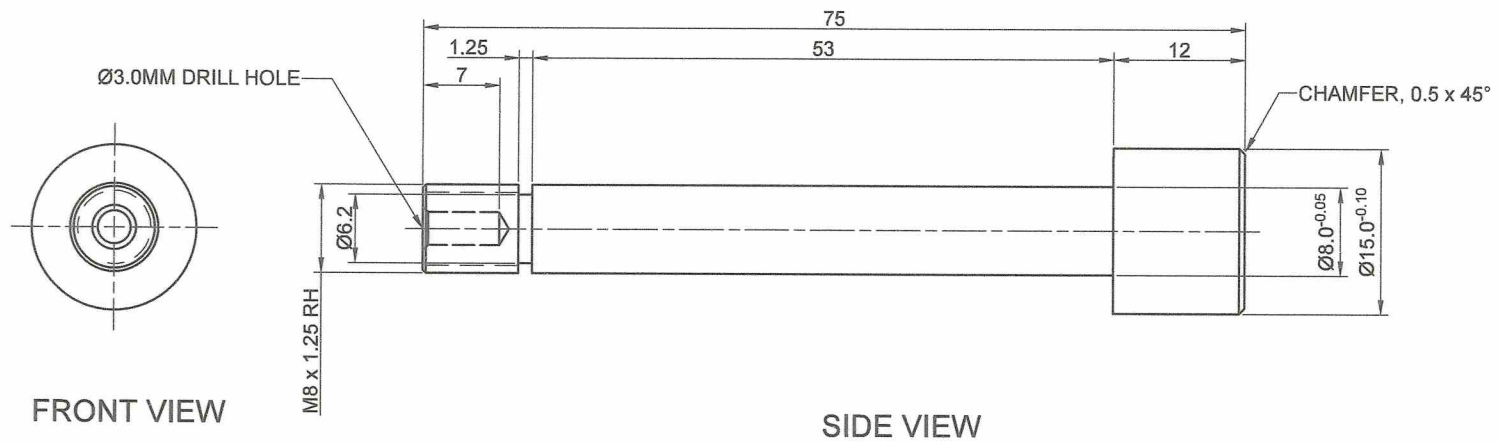
SYM	REVISION	DATE	BY

Date	SEPT 2021	Scale	NTS	<b>TEST TUBE RACK</b>
Conceptualized by	M.S. MAQUILAS			
Drawn by	B.C. Lisondra			Item Name
Designed by	Q.C. Checked by			LAYER 1
Recommended by	A.B. Ybañez			Material
Approved by	R. C. La Rosa			ABS THERMOPLASTIC, WHITE
				Sheet
				3/7
				File name
				tst.tb.rack.dwg
				 <b>DepED-BLR</b>

SCIKIT- BASIC



ISOMETRIC



FRONT VIEW

SIDE VIEW

NOTE:  
 Dimensions are in millimeters except otherwise specified.  
 Smoothen sharp edges.  
 Surface Roughness:  $\sqrt{\text{ }}$  1.20 to 1.40  $\mu\text{m}$  (outer)


TOLERANCES FOR LENGTH GAUGING						
Grade of Accuracy	Nominal Size	0.5 to 3	Over 3 to 6	Over 6 to 30	Over 30 to 120	Over 120 to 400
Medium		$\pm 0.10$	$\pm 0.10$	$\pm 0.20$	$\pm 0.30$	$\pm 0.50$

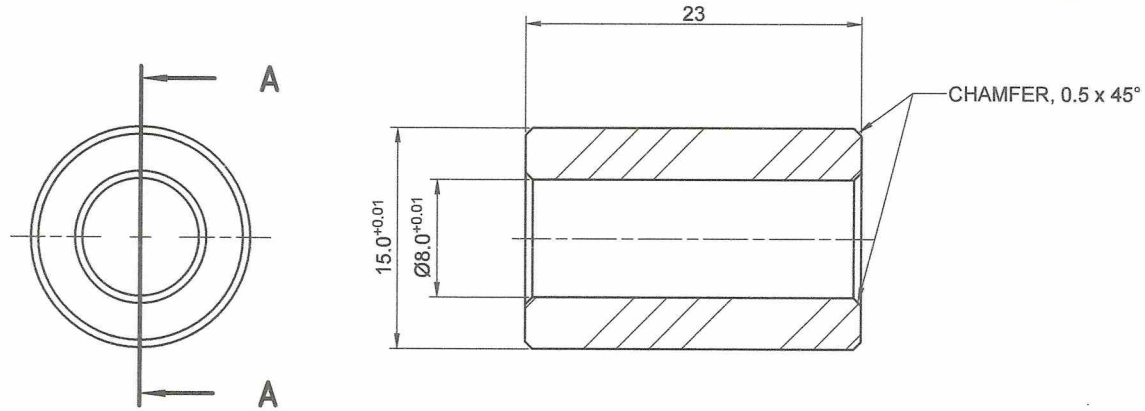
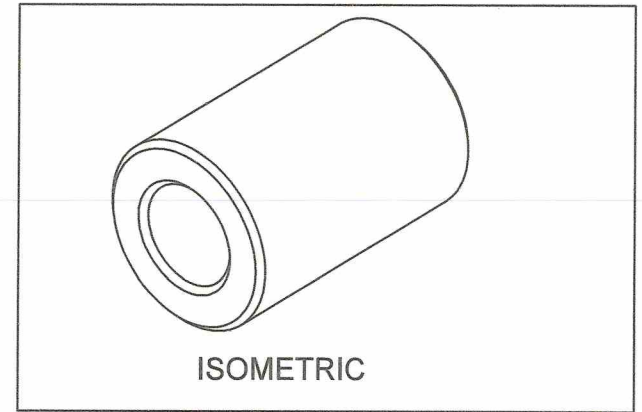
TOLERANCES FOR RADIUS & CHAMFERS					
Grade of Accuracy	Nominal Size	0.5 to 3	Over 3 to 6	Over 6 to 30	Over 30 to 120
Smooth		$\pm 0.20$	$\pm 0.50$	$\pm 1.00$	$\pm 2.00$
Medium		$\pm 0.20$	$\pm 0.50$	$\pm 1.00$	$\pm 2.00$

SYM	REVISION	DATE	BY

GOVERNMENT PROPERTY


Date	SEPT 2021	Scale	NTS	<h1>TEST TUBE RACK</h1>
Conceptualized by	M.S. MAQUILAS			
Drawn by	B.C. Lisondra	Item Name	PLASTIC BOLT	Sheet
Designed by	Q.C. Checked by	Material	ABS THERMOPLASTIC, WHITE	File name
Recommended by	A.B. Ybañez	 <b>DepED-BLR</b>		tst.tb.rack.dwg
Approved by	R. C. La Rosa			

SCIKIT- BASIC



NOTE:  
 Dimensions are in millimeters except otherwise specified.  
 Smoothen sharp edges.  
 Surface Roughness:  $\nabla$  1.20 to 1.40  $\mu$ m (outer)

GOVERNMENT PROPERTY

Date	SEPT 2021	Scale	NTS	
Conceptualized by	M.S. MAQUILAS			
Drawn by	B.C. Lisondra	Item Name	SPACER	
Designed by		Material	ABS THERMOPLASTIC, WHITE	
Q.C. Checked by	J.N. Aricia	Sheet	5/7	
Recommended by	A.B. Ybanez	File name	tst.tb.rack.dwg	
Approved by	R. C. La Rosa	 DepED-BLR		

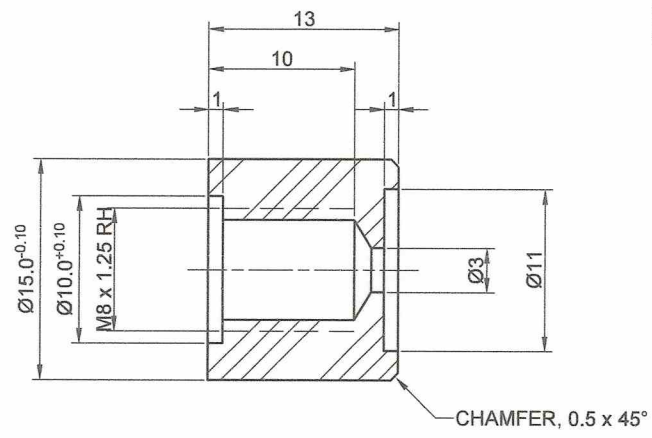
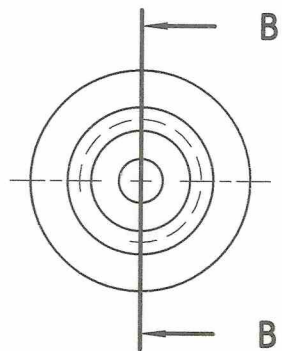
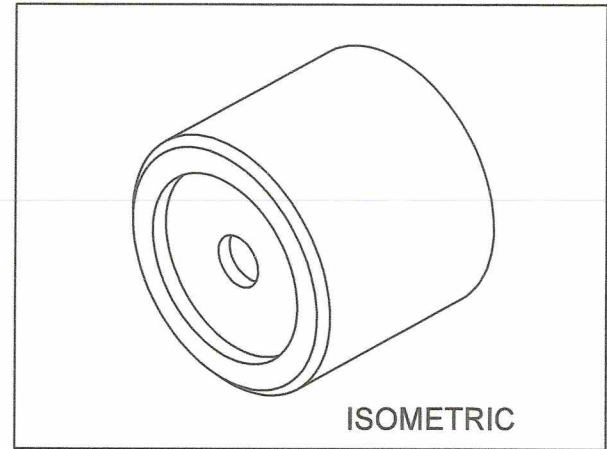
TOLERANCES FOR LENGTH GAUGING						
Grade of Accuracy	Nominal Size	0.5 to 3	Over 3 to 6	Over 6 to 30	Over 30 to 120	Over 120 to 400
Medium		$\pm 0.10$	$\pm 0.10$	$\pm 0.20$	$\pm 0.30$	$\pm 0.50$

TOLERANCES FOR RADIUS & CHAMFERS					
Grade of Accuracy	Nominal Size	0.5 to 3	Over 3 to 6	Over 6 to 30	Over 30 to 120
Smooth		$\pm 0.20$	$\pm 0.50$	$\pm 1.00$	$\pm 2.00$
Medium					


SYM	REVISION	DATE	BY

SCIKIT- BASIC



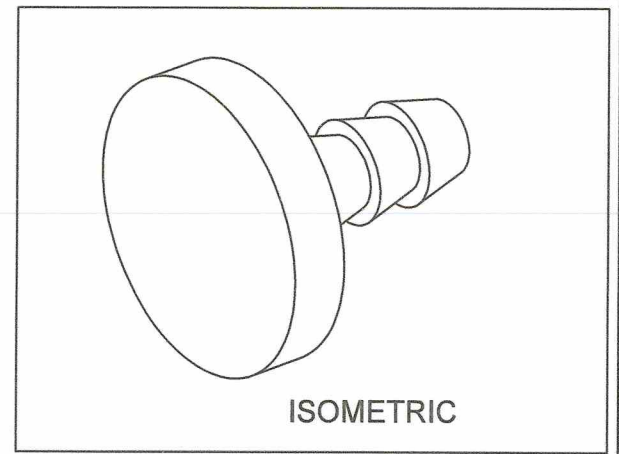
GOVERNMENT PROPERTY

NOTE:  
 Dimensions are in millimeters except otherwise specified.  
 Smoothen sharp edges.  
 Surface Roughness:  $\nabla \nabla$  1.20 to 1.40  $\mu$ m (outer)

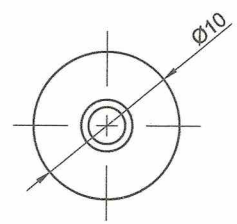
Date	SEPT 2021	Scale	NTS	<b>TEST TUBE RACK</b>	
Conceptualized by	M.S. MAQUILAS				
Drawn by	B.C. Lisondra			CAP NUT	6/7
Designed by	Q.C. Checked by			Material	File name
	J.N. Arigja			ABS THERMOPLASTIC, WHITE	tst.tb.rack.dwg
Recommended by	A.B. Ybañez			 <b>DepED-BLR</b>	
Approved by	R. C. La Rosa				

TOLERANCES FOR LENGTH GAUGING						SYM	REVISION	DATE	BY
Grade of Accuracy	Nominal Size	0.5 to 3	Over 3 to 6	Over 6 to 30	Over 30 to 120				
Medium		$\pm 0.10$	$\pm 0.10$	$\pm 0.20$	$\pm 0.30$	$\pm 0.50$			
TOLERANCES FOR RADIUS & CHAMFERS						SYM	REVISION	DATE	BY
Grade of Accuracy	Nominal Size	0.5 to 3	Over 3 to 6	Over 6 to 30	Over 30 to 120				
Smooth Medium		$\pm 0.20$	$\pm 0.50$	$\pm 1.00$	$\pm 2.00$				

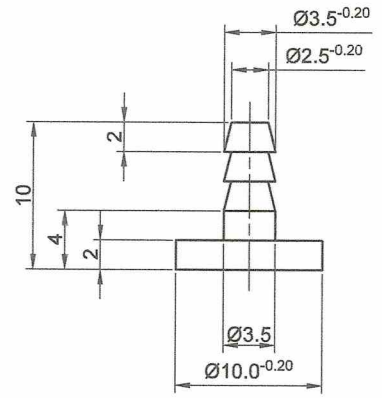
SCIKIT- BASIC



ISOMETRIC



TOP VIEW



FRONT VIEW

NOTE:  
Dimensions are in millimeters except otherwise specified.  
Smoothen sharp edges.

GOVERNMENT PROPERTY

Date	SEPT 2021	Scale	NTS	<h1>TEST TUBE RACK</h1>			
Conceptualized by	M.S. MAQUILAS						
Drawn by	B.C. Lisondra						
Designed by	Q.C. Checked by						
				Item Name	RUBBER SOLE	Sheet	7/7
				Material	BLACK RUBBER : 50 TO 60 DUROMETER	File name	Rtst.tb.rack.dwg
				Recommended by	A.B. Ybanez		
				Approved by	R. C. La Rosa		

TOLERANCES FOR LENGTH GAUGING						
Grade of Accuracy	Nominal Size	0.5 to 3	Over 3 to 6	Over 6 to 30	Over 30 to 120	Over 120 to 400
Medium		± 0.10	± 0.10	± 0.20	± 0.30	± 0.50
TOLERANCES FOR RADIUS & CHAMFERS						
Grade of Accuracy	Nominal Size	0.5 to 3	Over 3 to 6	Over 6 to 30	Over 30 to 120	
Smooth		± 0.20	± 0.50	± 1.00	± 2.00	
Medium						

SYM	REVISION	DATE	BY



DepED-BLR