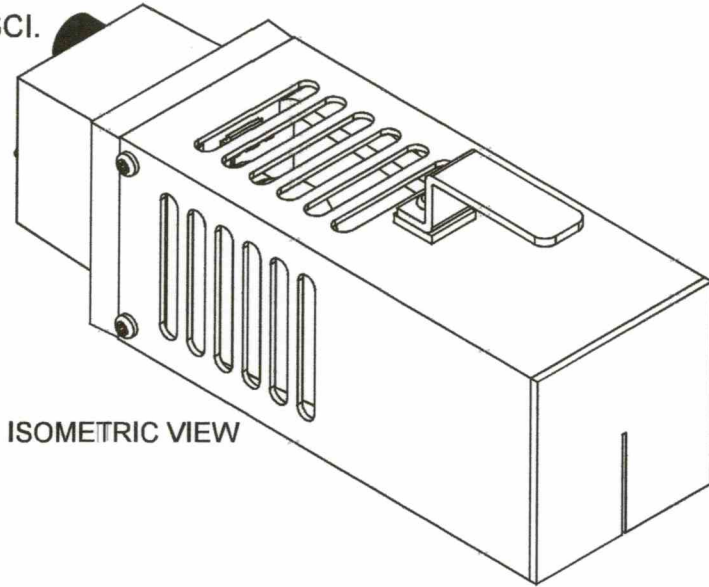
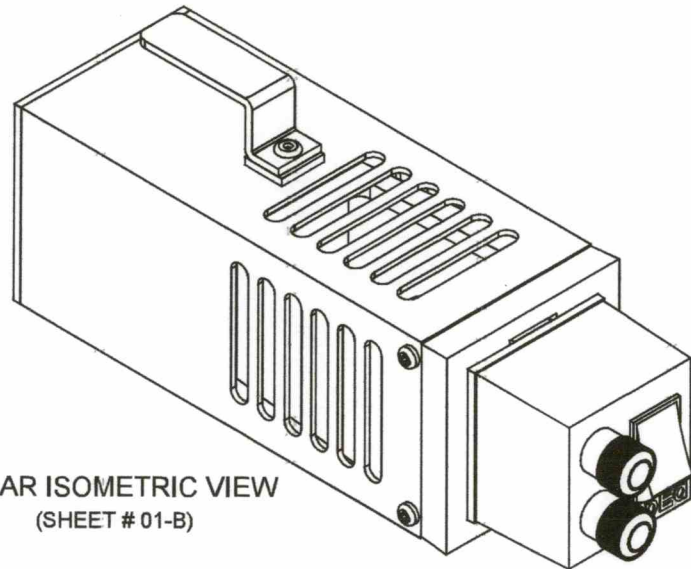


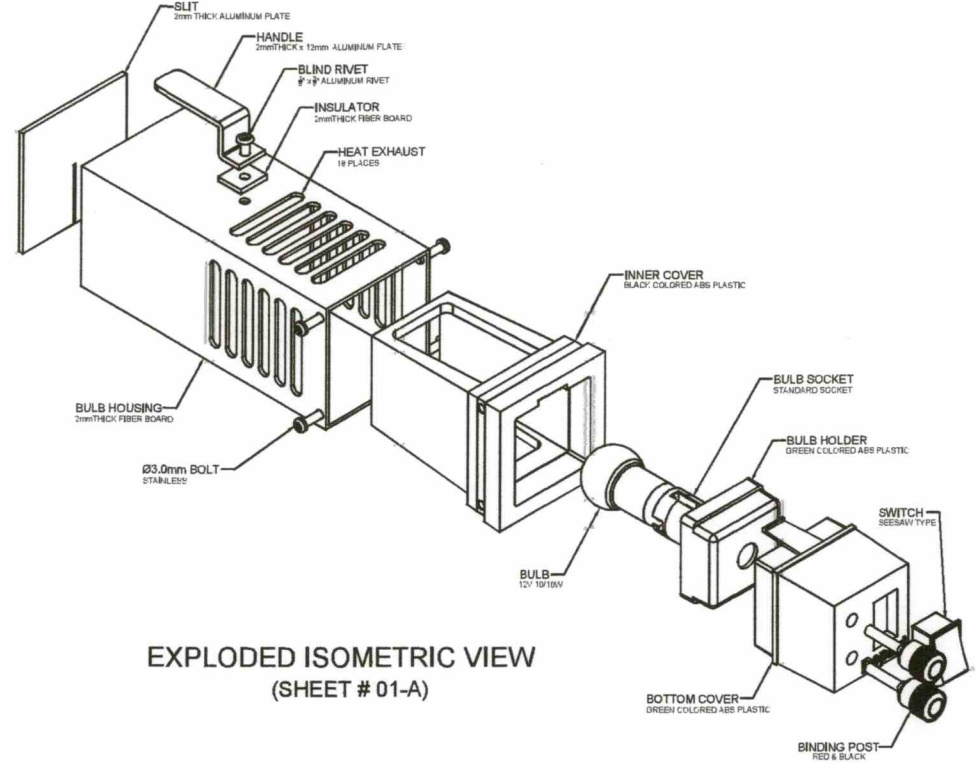
GEN. SCI.



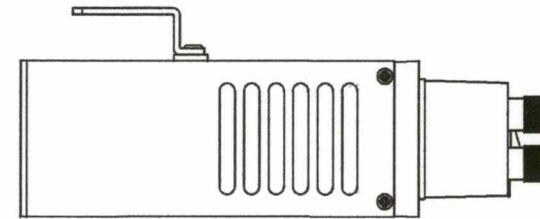
ISOMETRIC VIEW



REAR ISOMETRIC VIEW
(SHEET # 01-B)




EXPLODED ISOMETRIC VIEW
(SHEET # 01-A)



SIDE VIEW

GOVERNMENT PROPERTY

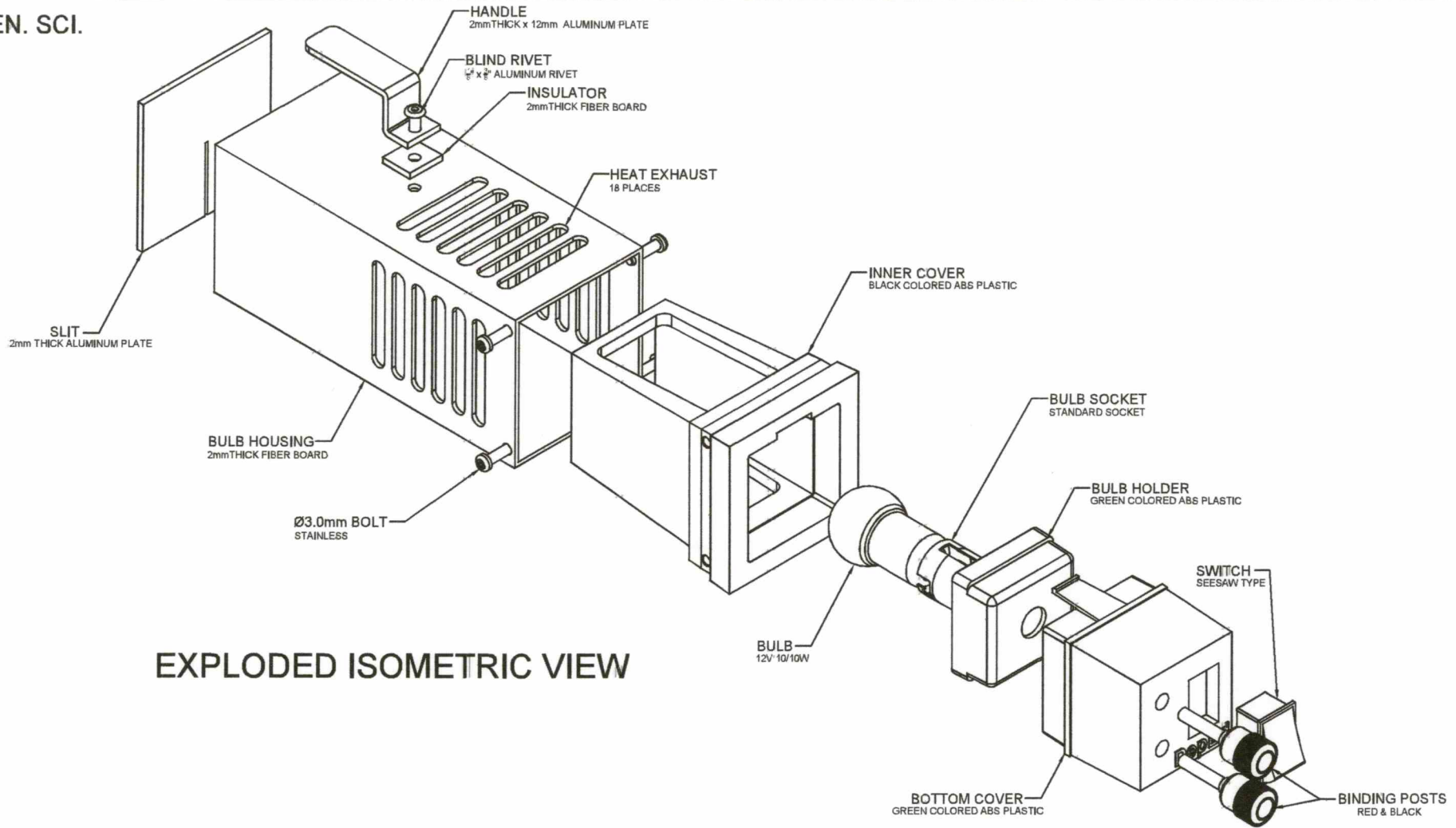
Date	SEPT 2021	Scale	NTS	
Conceptualized by				
Drawn by	B.C. Lisondra	Item Name	SINGLE SLIT LIGHT SOURCE	
Designed by		Material	ALUMINUM, ABS PLASTIC (INJECTED)	Sheet 01
Q.C. Checked by	J.N. Arjoja	File name	LIGHT SOURCE	
Recommended by	A.B. Ybañez	 DepED-BLR		
Approved by	R. C. La Rosa			

TOLERANCES FOR LENGTH GAUGING						
Grade of Accuracy	Nominal Size	0.5 to 3	Over 3 to 6	Over 6 to 30	Over 30 to 120	Over 120 to 400
Medium		± 0.10	± 0.10	± 0.20	± 0.30	± 0.50

TOLERANCES FOR RADIUS & CHAMFERS					
Grade of Accuracy	Nominal Size	0.5 to 3	Over 3 to 6	Over 6 to 30	Over 30 to 120
Smooth		± 0.20	± 0.50	± 1.00	± 2.00

SYM	REVISION	DATE	BY

GEN. SCI.



EXPLODED ISOMETRIC VIEW

SIDE VIEW

GOVERNMENT PROPERTY

TOLERANCES FOR LENGTH GAUGING

Grade of Accuracy	Nominal Size	0.5 to 3	Over 3 to 6	Over 6 to 30	Over 30 to 120	Over 120 to 400
Medium		± 0.10	± 0.10	± 0.20	± 0.30	± 0.50

TOLERANCES FOR RADIUS & CHAMFERS

Grade of Accuracy	Nominal Size	0.5 to 3	Over 3 to 6	Over 6 to 30	Over 30 to 120
Smooth		± 0.20	± 0.50	± 1.00	± 2.00
Medium					

SYM	REVISION	DATE	BY

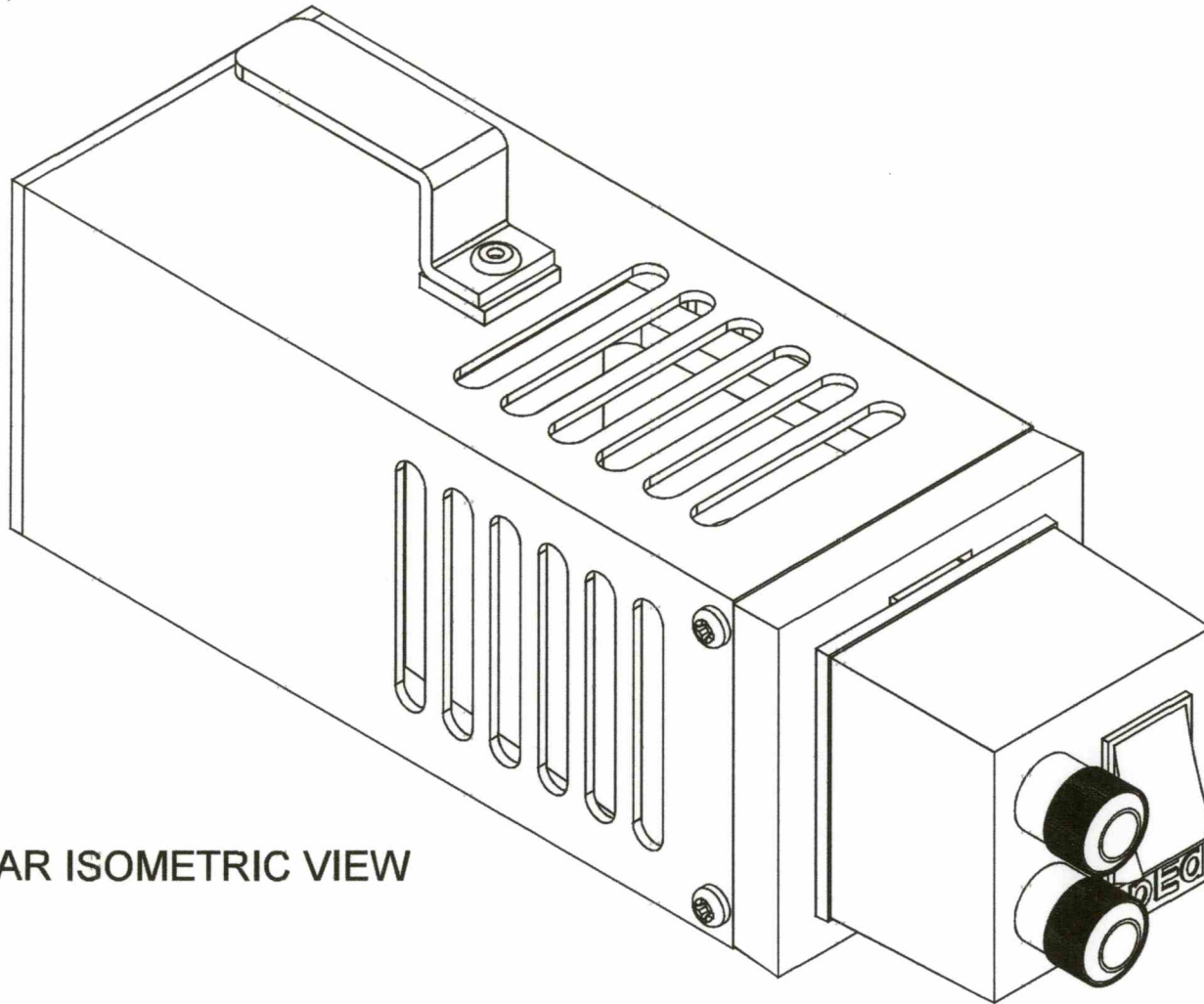
Date	SEPT 2021	Scale	NTS
Conceptualized by			
Drawn by	B.C. Lisondra		
Designed by	Q.C. Checked by		
	J.N. Arioja		
Recommended by	A.B. Ybafiez		
Approved by	R. C. La Rosa		

SINGLE SLIT LIGHT SOURCE

Item Name	ASSEMBLY	Sheet	01-A
Material	ALUMINUM, ABS PLASTIC(INJECTED)	File name	LIGHT SOURCE

DepED-BLR

GEN. SCI.



REAR ISOMETRIC VIEW

GOVERNMENT PROPERTY

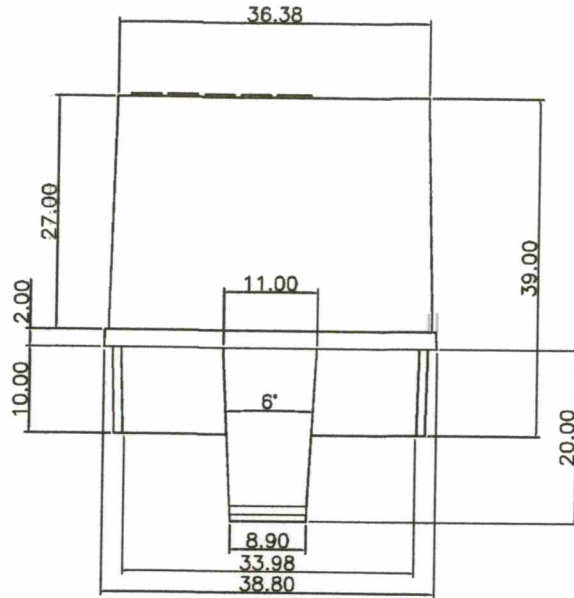
Date	SEPT 2021	Scale	NTS	SINGLE SLIT LIGHT SOURCE	
Conceptualized by					
Drawn by	B.C. Lisonda	Item Name	ASSEMBLY	Sheet	01-B
Designed by		Material	ALUMINUM, ABS PLASTIC(INJECTED)	File name	LIGHT SOURCE
Checked by	J.N. Arjoja	 DepED-BLR			
Recommended by	A.B. Ybanez				
Approved by	R. C. La Rosa				

TOLERANCES FOR LENGTH GAUGING						
Grade of Accuracy	Nominal Size	0.5 to 3	Over 3 to 6	Over 6 to 30	Over 30 to 120	Over 120 to 400
Medium		± 0.10	± 0.10	± 0.20	± 0.30	± 0.50

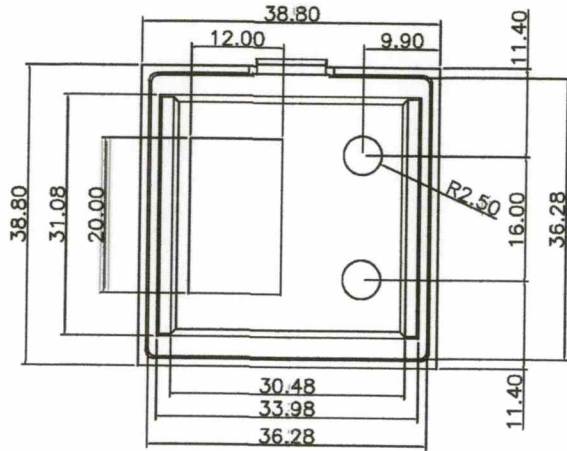
TOLERANCES FOR RADIUS & CHAMFERS					
Grade of Accuracy	Nominal Size	0.5 to 3	Over 3 to 6	Over 6 to 30	Over 30 to 120
Smooth Medium		± 0.20	± 0.50	± 1.00	± 2.00

SYM	REVISION	DATE	BY

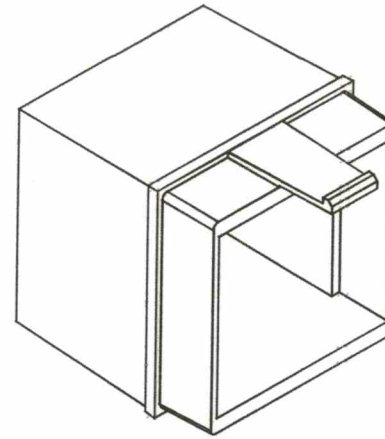
GEN. SCI.



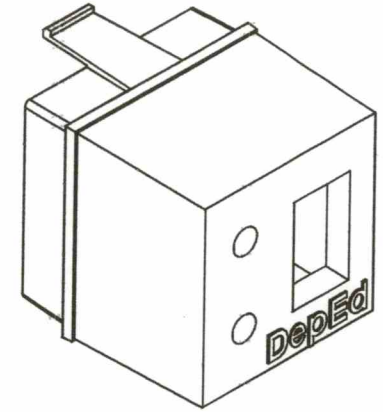
TOP VIEW



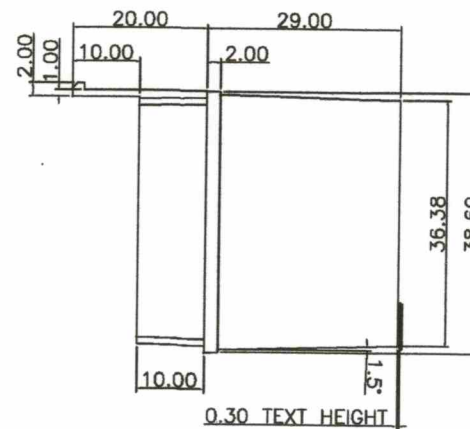
FRONT VIEW



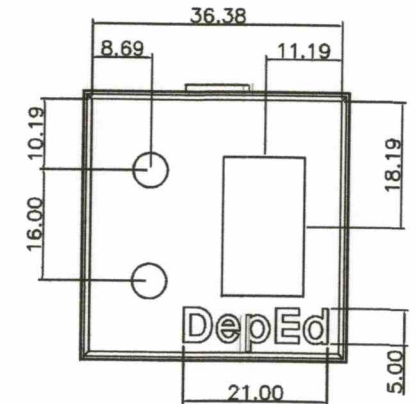
ISOMETRIC VIEW



REAR ISOMETRIC VIEW



SIDE VIEW



REAR VIEW

GOVERNMENT PROPERTY

Notes:

1. All dimensions are in millimeter unless otherwise specified.
2. Remove burrs and sharp edges.
3. Green colored ABS plastic.

TOLERANCES FOR LENGTH GAUGING

Grade of Accuracy	Nominal Size	0.5 to 3	Over 3 to 6	Over 6 to 30	Over 30 to 120	Over 120 to 400
Medium		± 0.10	± 0.10	± 0.20	± 0.30	± 0.50

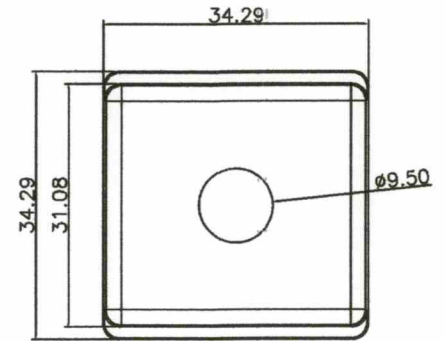
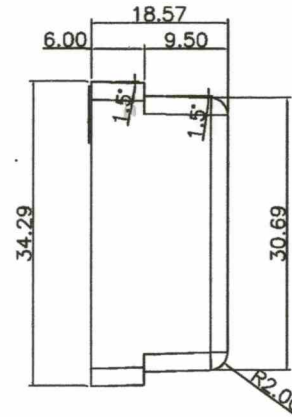
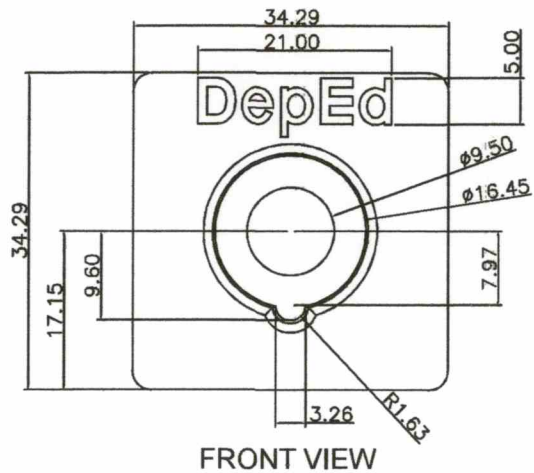
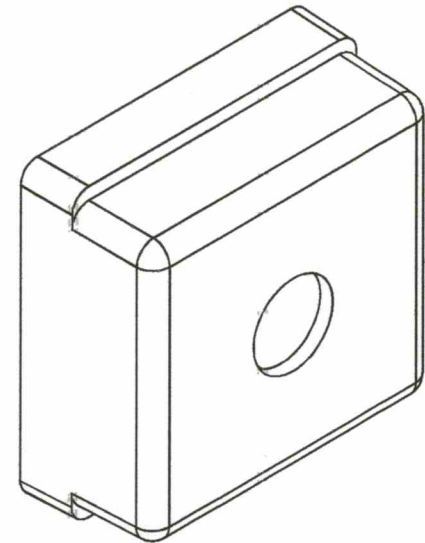
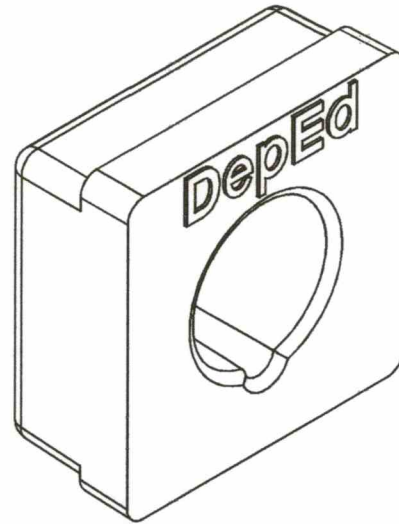
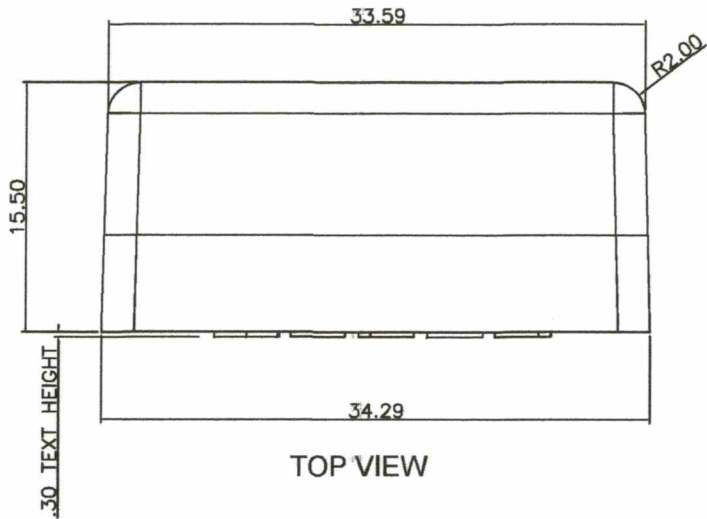
TOLERANCES FOR RADIUS & CHAMFERS

Grade of Accuracy	Nominal Size	0.5 to 3	Over 3 to 6	Over 6 to 30	Over 30 to 120
Smooth		± 0.20	± 0.50	± 1.00	± 2.00
Medium					

SYM	REVISION	DATE	BY

Date	SEPT 2021	Scale	NTS	SINGLE SLIT LIGHT SOURCE
Conceptualized by				
Drawn by	B.C. Lisondra	Item Name	BOTTOM COVER	
Designed by	G.C. Checked by	Material	GREEN ABS PLASTIC (INJECTED)	
Recommended by	J.N. Arida	File name	LIGHT SOURCE	
Approved by	A.B. Ybañez	DepED-BLR		
	R. C. La Rosa			

GEN. SCI.



GOVERNMENT PROPERTY

- Notes:
1. All dimensions are in millimeter unless otherwise specified.
 2. Remove burrs and sharp edges.
 3. Green colored ABS plastic.

TOLERANCES FOR LENGTH GAUGING


Grade of Accuracy	Nominal Size	0.5 to 3	Over 3 to 6	Over 6 to 30	Over 30 to 120	Over 120 to 400
Medium		+ 0.10	+ 0.10	+ 0.20	+ 0.30	+ 0.50

TOLERANCES FOR RADIUS & CHAMFERS

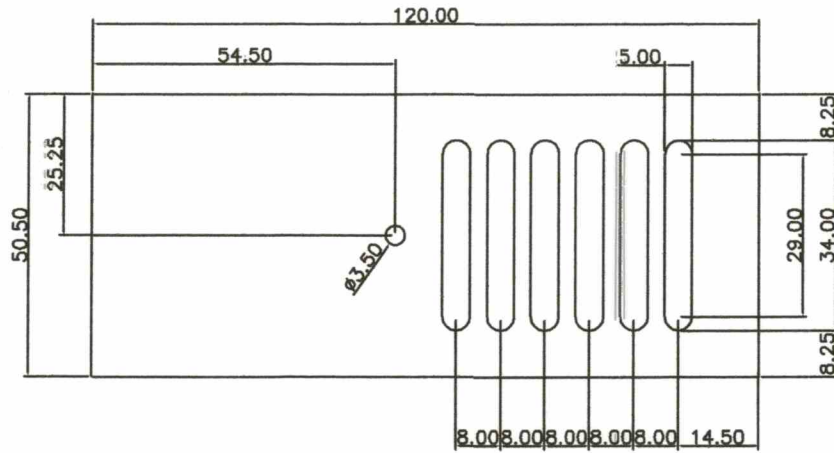
Grade of Accuracy	Nominal Size	0.5 to 3	Over 3 to 6	Over 6 to 30	Over 30 to 120
Smooth		+ 0.20	+ 0.50	+ 1.00	+ 2.00
Medium					

SYM REVISION DATE BY

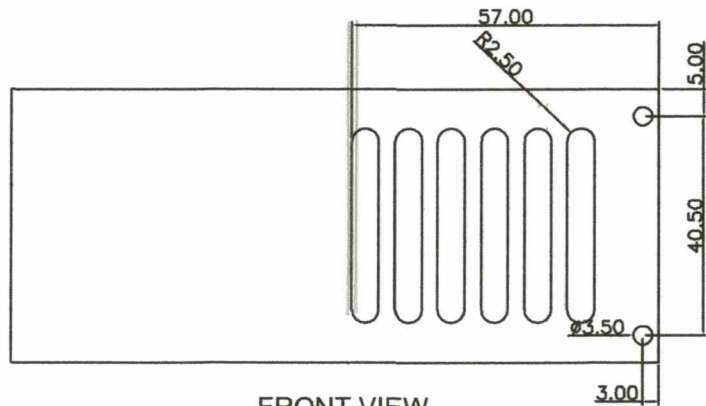
Date	SEPT 2021	Scale	NTS
Conceptualized by			
Drawn by	B.C. Lisonda		
Designed by		Checked by	J.N. Arioja
Recommended by	A.B. Ybañez		
Approved by	R. C. La Rosa		

SINGLE SLIT LIGHT SOURCE	
Item Name	BULB HOLDER
Material	GREEN ABS PLASTIC (INJECTED)
Sheet	03
File name	LIGHT SOURCE
 DepED-BLR	

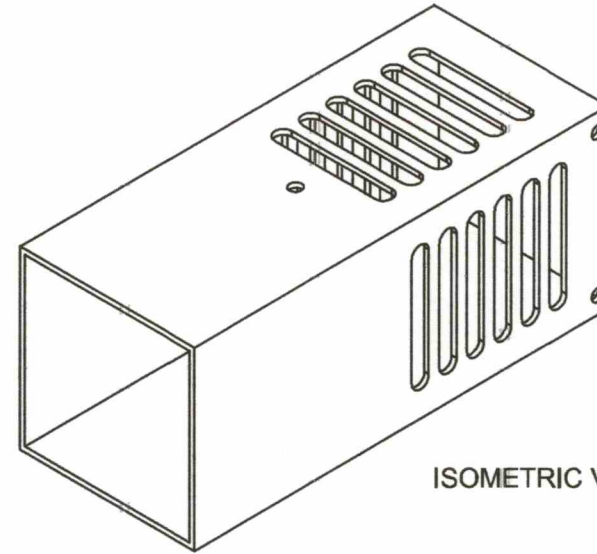
GEN. SCI.



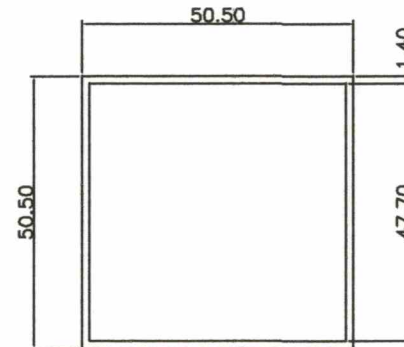
TOP VIEW



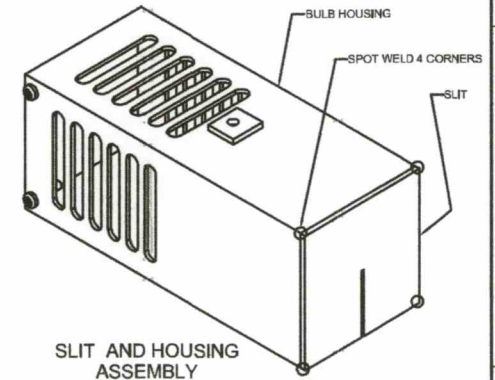
FRONT VIEW



ISOMETRIC VIEW



SIDE VIEW




SLIT AND HOUSING ASSEMBLY

GOVERNMENT PROPERTY

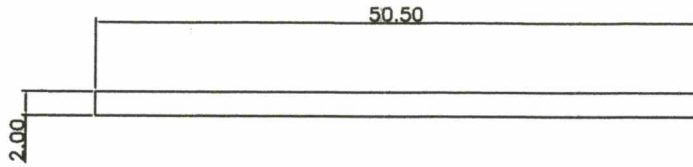
Notes:

1. All dimensions are in millimeter unless otherwise specified.
2. Remove burrs and sharp edges.
3. All surface must be covered with 3 layers of elastomeric sealant then painted with high temp. black paint.

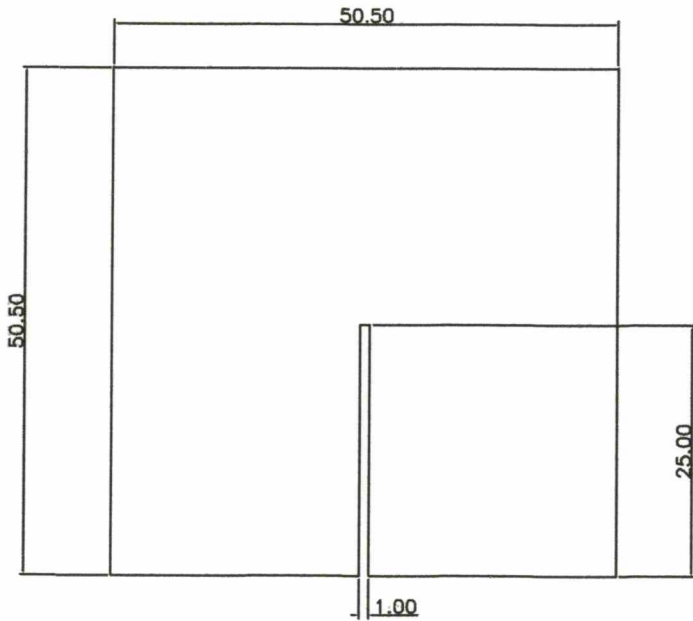
Date	SEPT 2021	Scale	NTS	SINGLE SLIT LIGHT SOURCE	
Conceptualized by					
Drawn by	B. C. Lisondra	Item Name	BULB HOUSING		Sheet 04
Designed by		Material	ALUMINUM SQUARE TUBE 2" X 2"		File name LIGHT SOURCE
Checked by	J.N. Prioja	Recommended by	A.B. Ybañez		 DepED-BLR
Approved by	R. C. La Rosa				

TOLERANCES FOR LENGTH GAUGING						SYM	REVISION	DATE	BY
Grade of Accuracy	Nominal Size	0.5 to 3	Over 3 to 6	Over 6 to 30	Over 30 to 120				
Medium		+ 0.10	+ 0.10	+ 0.20	+ 0.30				
TOLERANCES FOR RADIUS & CHAMFERS						SYM	REVISION	DATE	BY
Grade of Accuracy	Nominal Size	0.5 to 3	Over 3 to 6	Over 6 to 30	Over 30 to 120				
Smooth		+ 0.20	+ 0.50	+ 1.00	+ 2.00				
Medium		+ 0.20	+ 0.50	+ 1.00	+ 2.00				

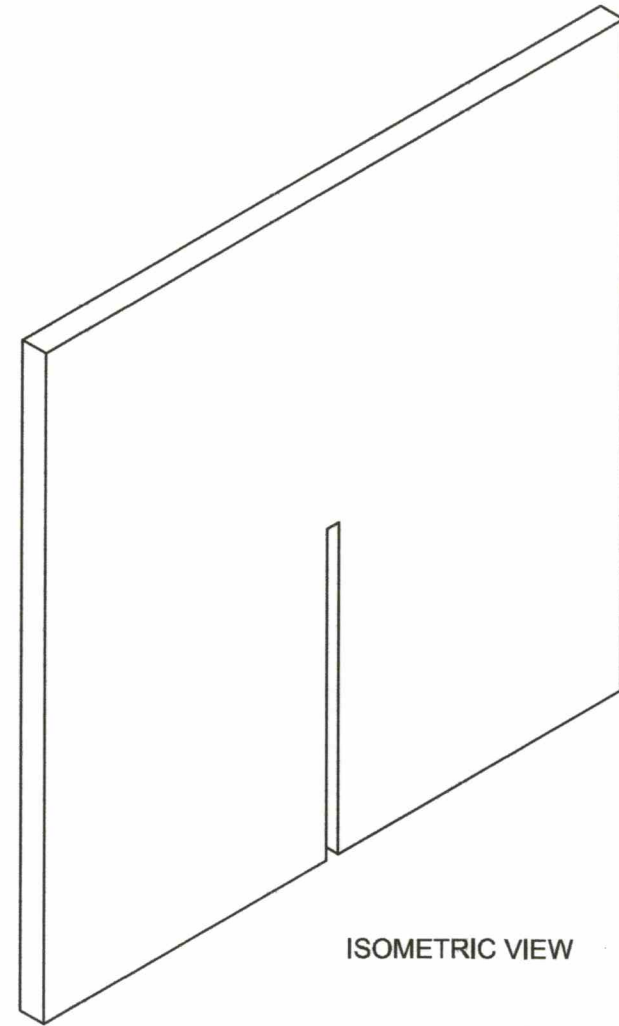
GEN. SCI.



TOP VIEW



FRONT VIEW



ISOMETRIC VIEW

Notes:

1. All dimensions are in millimeter unless otherwise specified.
2. Remove burrs and sharp edges.
3. Material must be painted with high temp. black paint.

GOVERNMENT PROPERTY

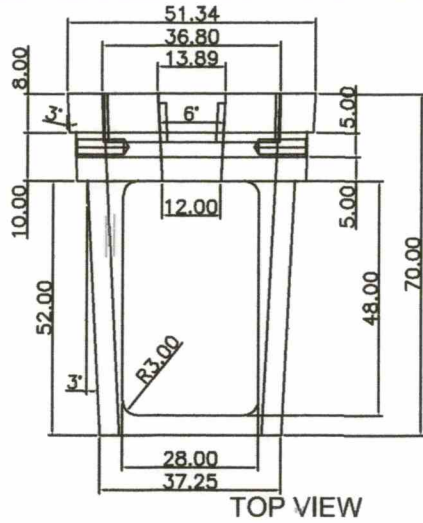
Date	SEPT 2021	Scale	NTS	SINGLE SLIT LIGHT SOURCE	
Conceptualized by					
Drawn by	B.C. Lisondra			Material	05
Designed by	Q.C. Checked by			2mm ALUMINUM PLATE	File name
	J.N. Arjoja			LIGHT SOURCE	
Recommended by	A.B. Ybañez			 DepED-BLR	
Approved by	R. C. La Rosa				

TOLERANCES FOR LENGTH GAUGING						
Grade of Accuracy	Nominal Size	0.5 to 3	Over 3 to 6	Over 6 to 30	Over 30 to 120	Over 120 to 400
Medium		± 0.10	± 0.10	± 0.20	± 0.30	± 0.50

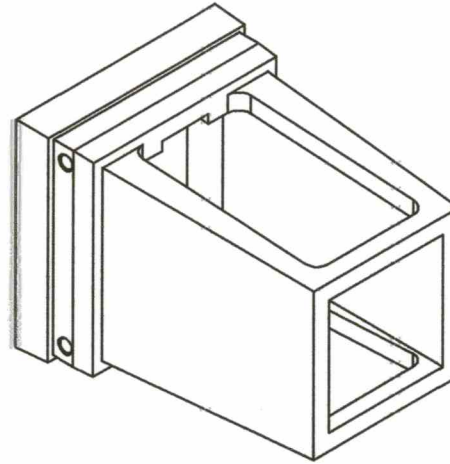
TOLERANCES FOR RADIUS & CHAMFERS					
Grade of Accuracy	Nominal Size	0.5 to 3	Over 3 to 6	Over 6 to 30	Over 30 to 120
Smooth Medium		± 0.20	± 0.50	± 1.00	± 2.00

SYM	REVISION	DATE	BY

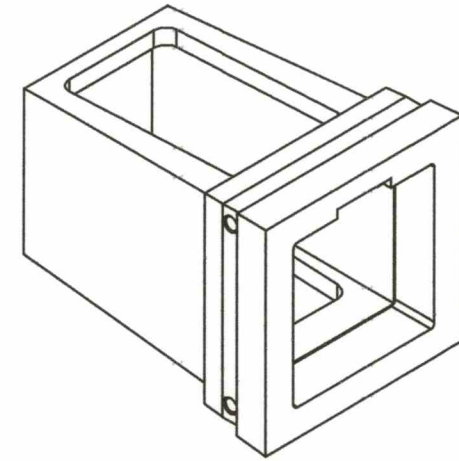
GEN. SCI.



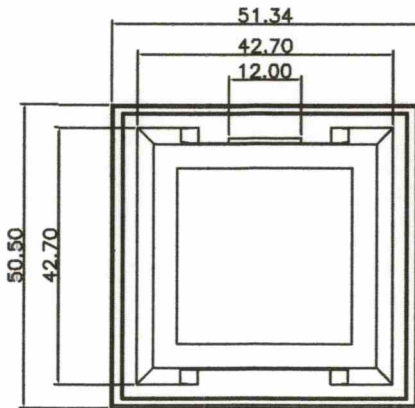
TOP VIEW



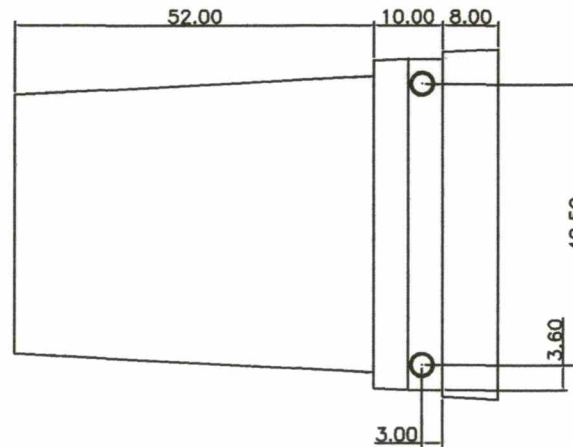
ISOMETRIC VIEW



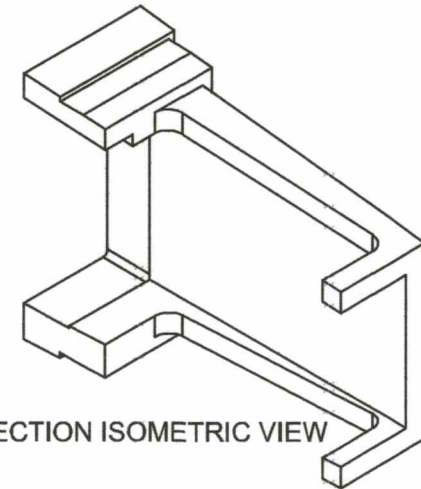
REAR ISOMETRIC VIEW



FRONT VIEW



SIDE VIEW



SECTION ISOMETRIC VIEW

GOVERNMENT PROPERTY

Notes:

1. All dimensions are in millimeter unless otherwise specified.
2. Remove burrs and sharp edges.
3. Black colored ABS Plastic

TOLERANCES FOR LENGTH GAUGING


Grade of Accuracy	Nominal Size	0.5 to 3	Over 3 to 6	Over 6 to 30	Over 30 to 120	Over 120 to 400
Medium		± 0.10	± 0.10	± 0.20	± 0.30	± 0.50

TOLERANCES FOR RADIUS & CHAMFERS

Grade of Accuracy	Nominal Size	0.5 to 3	Over 3 to 6	Over 6 to 30	Over 30 to 120
Smooth Medium		± 0.20	± 0.50	± 1.00	± 2.00

SYM REVISION DATE BY

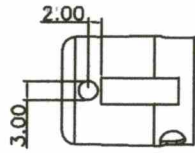
Date	SEPT 2021	Scale	NTS
Conceptualized by			
Drawn by	B.C. Lisondra	Checked by	J.N. Arjoja
Designed by			
Recommended by	A.B. Ybañez		
Approved by	R. C. La Rosa		

SINGLE SLIT LIGHT SOURCE	
Item Name	INNER COVER
Material	BLACK ABS PLASTIC (INJECTED)
Sheet	06
File name	LIGHT SOURCE
 DepED-BLR	

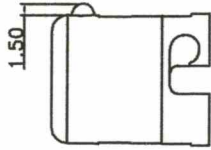
GEN. SCI.

BULB SOCKET

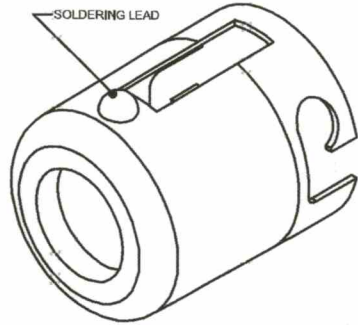
MAT'L: STANDARD
QTY: 1 PC.



TOP VIEW



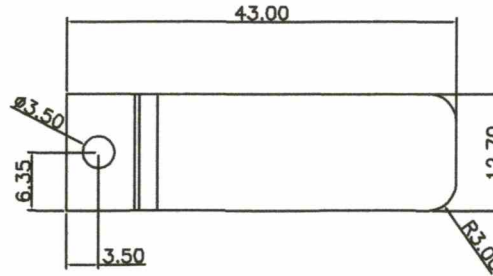
FRONT VIEW



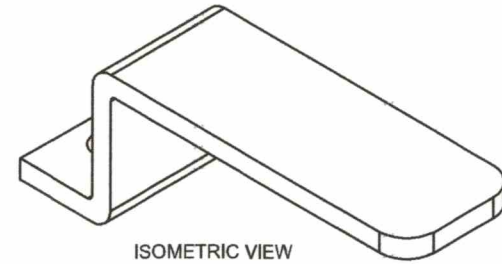
ISOMETRIC VIEW

HANDLE

MAT'L: FIBER BOARD
QTY: 1 PC.



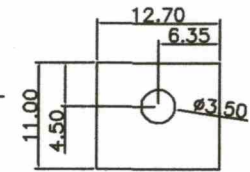
TOP VIEW



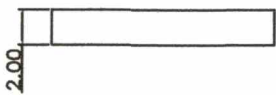
ISOMETRIC VIEW

INSULATOR

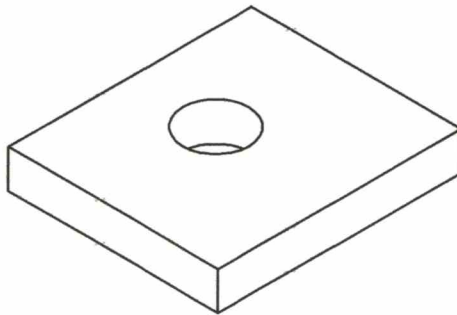
MAT'L: FIBER BOARD
QTY: 1 PC.



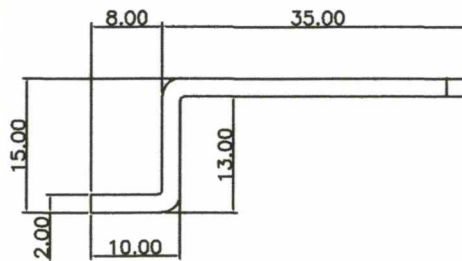
TOP VIEW



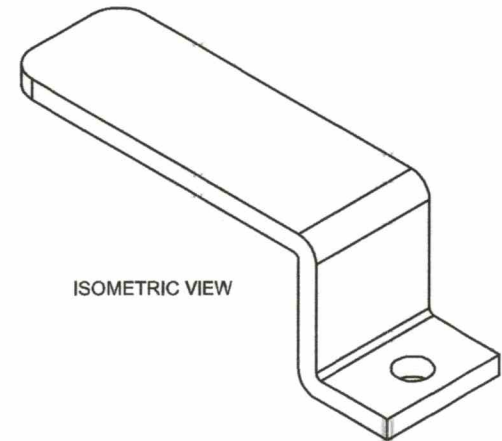
FRONT VIEW



ISOMETRIC VIEW



FRONT VIEW



ISOMETRIC VIEW

GOVERNMENT PROPERTY

Notes:

- All dimensions are in millimeter unless otherwise specified.
- Remove burrs and sharp edges.

Date	SEPT 2021	Scale	NTS
Conceptualized by			
Drawn by	B.C. Lisondra <i>[Signature]</i>		
Designed by	Q.C. Checked by		
	J.N. Ariola <i>[Signature]</i>		
Recommended by	A.B. Ybañez <i>[Signature]</i>		
Approved by	R. C. La Rosa <i>[Signature]</i>		

SINGLE SLIT LIGHT SOURCE	
Item Name	VARIOUS PARTS
Material	2mm ALUMINUM PLATE, FIBER BOARD
Sheet	07
File name	LIGHT SOURCE
 DepED-BLR	

TOLERANCES FOR LENGTH GAUGING						
Grade of Accuracy	Nominal Size	0.5 to 3	Over 3 to 6	Over 6 to 30	Over 30 to 120	Over 120 to 400
Medium		+0.10	+0.10	+0.20	+0.30	+0.50

TOLERANCES FOR RADIUS & CHAMFERS					
Grade of Accuracy	Nominal Size	0.5 to 3	Over 3 to 6	Over 6 to 30	Over 30 to 120
Smooth		+0.20	+0.50	+1.00	+2.00
Medium					

SYM	REVISION	DATE	BY