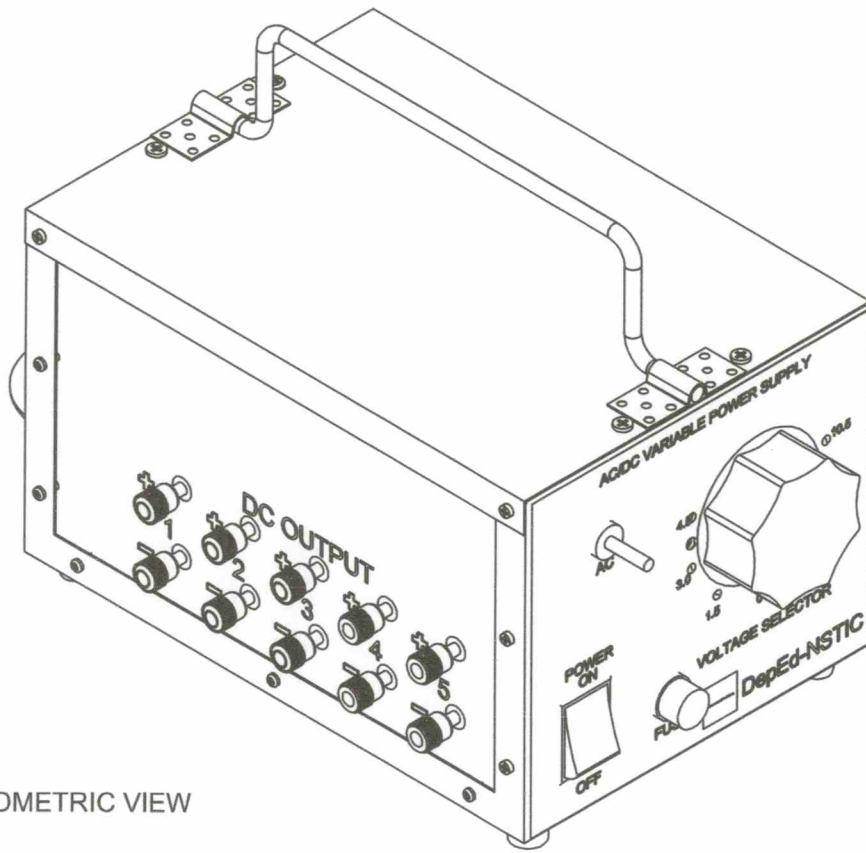
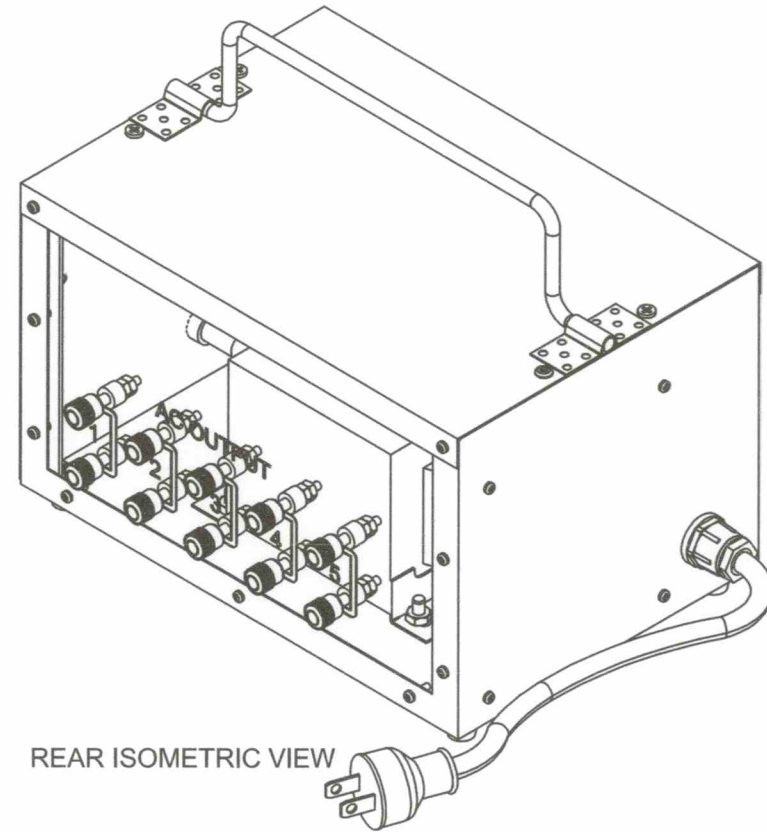


PHYSICS

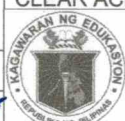


ISOMETRIC VIEW



REAR ISOMETRIC VIEW

GOVERNMENT PROPERTY

Date	SEPT 2021	Scale	NTS	VARIABLE POWER SUPPLY	
Conceptualized by					
Drawn by	B.C. Lisondra	Item Name	ASSEMBLY	Sheet	01
Designed by	J.C. Checked by	Material	CLEAR ACRYLIC & 0.70mm SS SHEET	File name	POWER SUPPLY CASING
Recommended by	A.B. Ybañez			<p>DepED-BLR</p>	
Approved by	R. C. La Rosa				

TOLERANCES FOR LENGTH GAUGING

Grade of Accuracy	Nominal Size	0.5 to 3	Over 3 to 6	Over 6 to 30	Over 30 to 120	Over 120 to 400
Medium		± 0.10	± 0.10	± 0.20	± 0.30	± 0.50

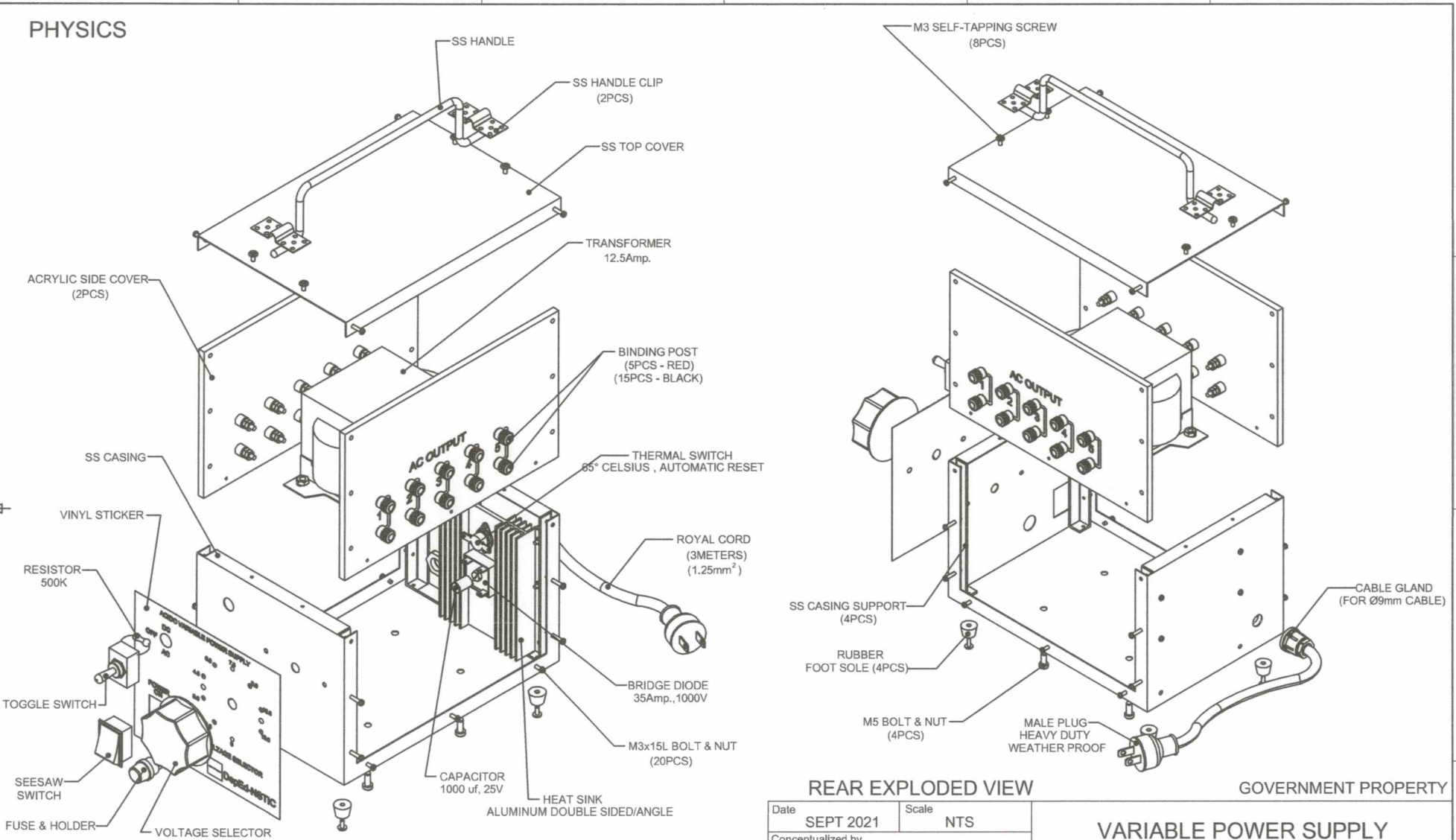
TOLERANCES FOR RADIUS & CHAMFERS

Grade of Accuracy	Nominal Size	0.5 to 3	Over 3 to 6	Over 6 to 30	Over 30 to 120
Smooth Medium		± 0.20	± 0.50	± 1.00	± 2.00

SYM	REVISION	DATE	BY

PHYSICS

A
B
C
D



EXPLODED ISOMETRIC VIEW

REAR EXPLODED VIEW

GOVERNMENT PROPERTY

TOLERANCES FOR LENGTH GAUGING						
Grade of Accuracy	Nominal Size	0.5 to 3	Over 3 to 6	Over 6 to 30	Over 30 to 120	Over 120 to 400
Medium		± 0.10	± 0.10	± 0.20	± 0.30	± 0.50

TOLERANCES FOR RADIUS & CHAMFERS					
Grade of Accuracy	Nominal Size	0.5 to 3	Over 3 to 6	Over 6 to 30	Over 30 to 120
Smooth Medium		± 0.20	± 0.50	± 1.00	± 2.00

SYM	REVISION	DATE	BY

Date	SEPT 2021	Scale	NTS
Conceptualized by			
Drawn by	B.C. Lisondra		
Designed by		Q.C. Checked by	J.N. Ariola
Recommended by	A.B. Ybafiez		
Approved by	R. C. La Rosa		

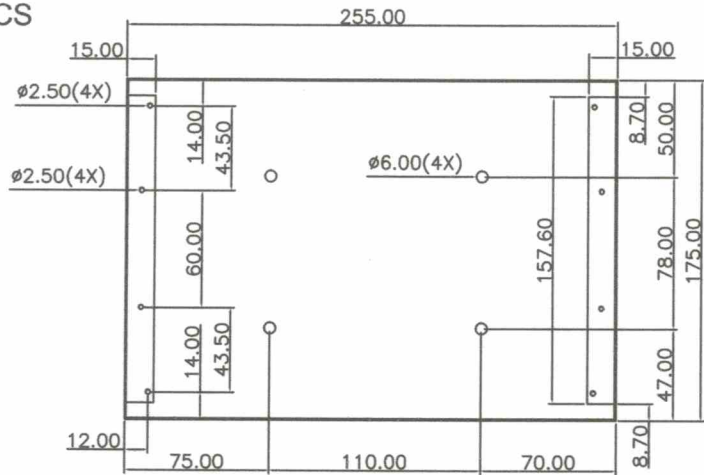
VARIABLE POWER SUPPLY	
Item Name	EXPLODED
Material	CLEAR ACRYLIC & 0.70mm SS SHEET
Sheet	01-A
File name	POWER SUPPLY CASING
DepED-BLR	

1 2 3 4 5 6

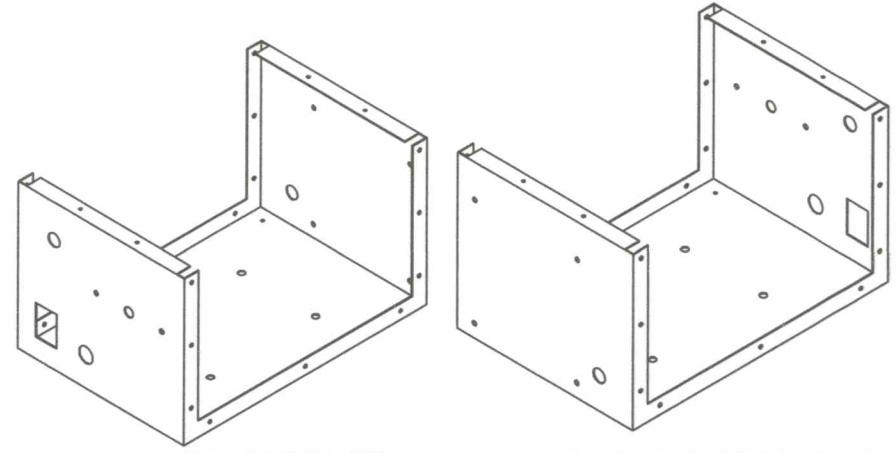
A
B
C
D

1 2 3 4 5 6

PHYSICS

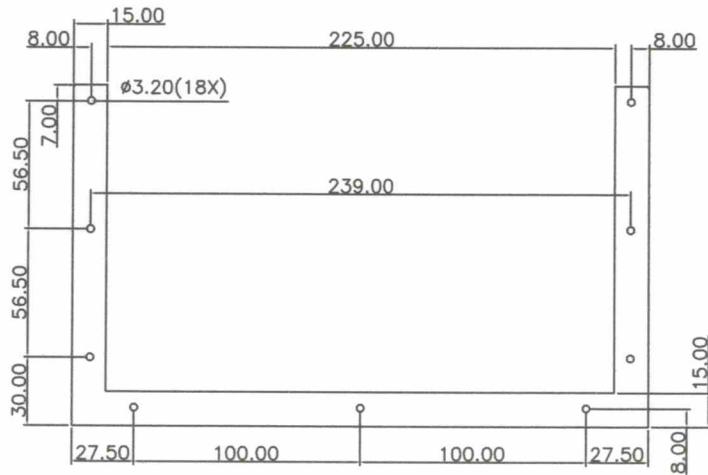


TOP VIEW

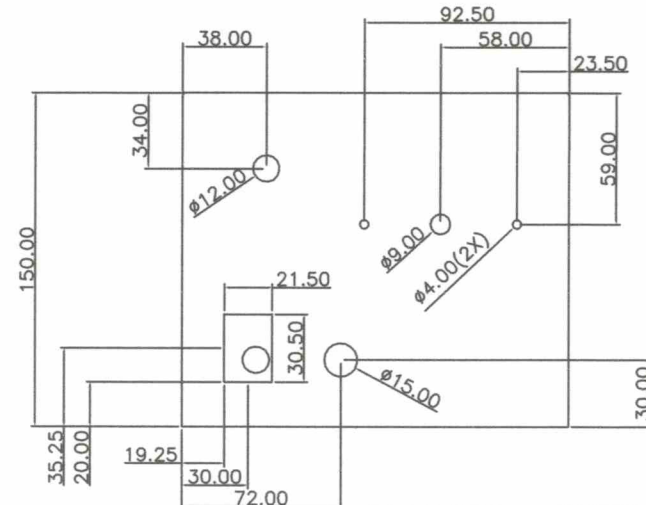


ISOMETRIC VIEW

REAR ISOMETRIC VIEW



FRONT VIEW



SIDE VIEW

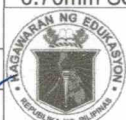
GOVERNMENT PROPERTY

TOLERANCES FOR LENGTH GAUGING						
Grade of Accuracy	Nominal Size	0.5 to 3	Over 3 to 6	Over 6 to 30	Over 30 to 120	Over 120 to 400
Medium		± 0.10	± 0.10	± 0.20	± 0.30	± 0.50

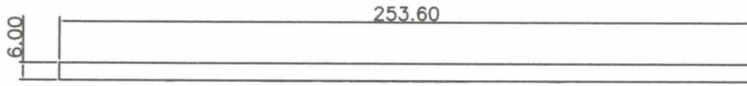
TOLERANCES FOR RADIUS & CHAMFERS					
Grade of Accuracy	Nominal Size	0.5 to 3	Over 3 to 6	Over 6 to 30	Over 30 to 120
Smooth		± 0.20	± 0.50	± 1.00	± 2.00
Medium		± 0.20	± 0.50	± 1.00	± 2.00

SYM	REVISION	DATE	BY

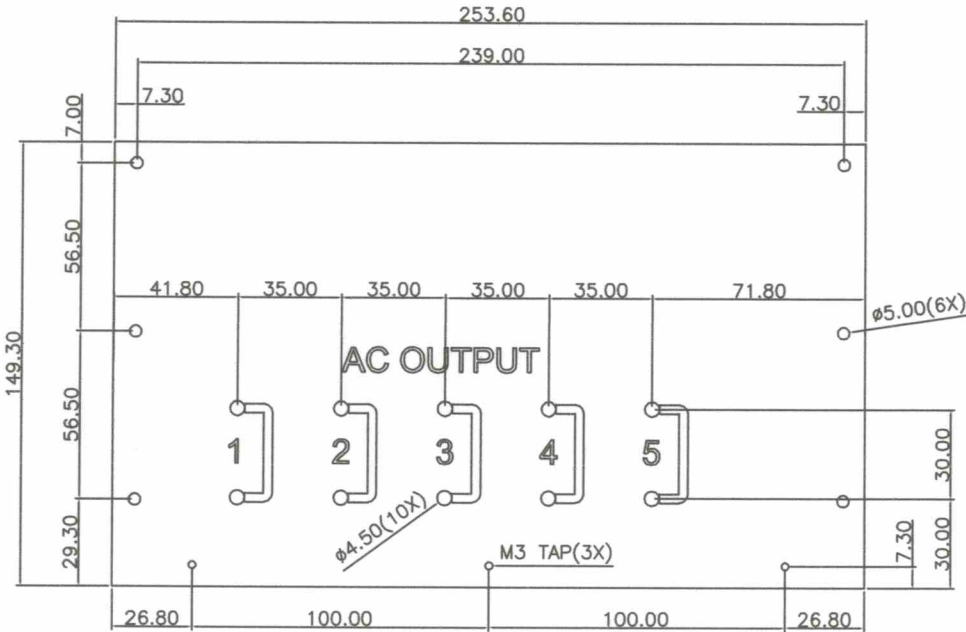
Date	SEPT 2021	Scale	NTS
Conceptualized by			
Drawn by	B.C. Lisondra		
Designed by	D.G. Checked by		
	J.N. Arjo		
Recommended by	A.B. Ybañez		
Approved by	R. C. La Rosa		

VARIABLE POWER SUPPLY	
Item Name	SS CASING
Material	0.70mm SS SHEET
Sheet	02
File name	POWER SUPPLY
 DepED-BLR	

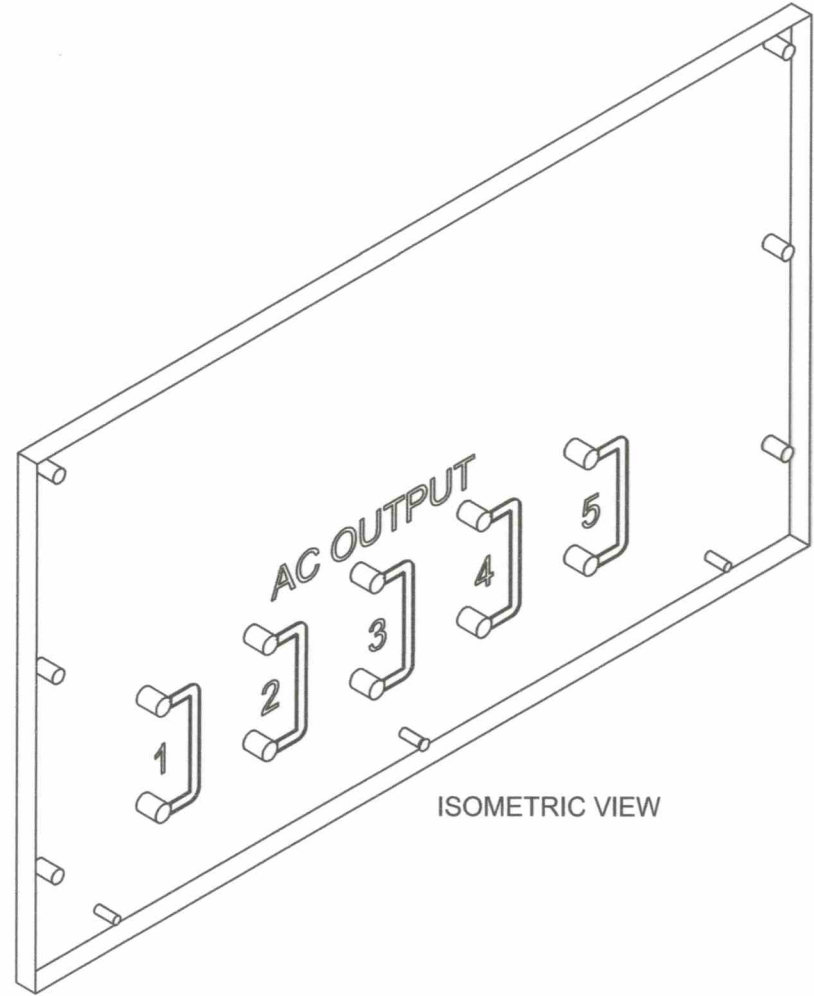
PHYSICS



TOP VIEW



FRONT VIEW




ISOMETRIC VIEW

SIDE VIEW

GOVERNMENT PROPERTY

VARIABLE POWER SUPPLY

Date	SEPT 2021	Scale	NTS	VARIABLE POWER SUPPLY	
Conceptualized by				Sheet 03	
Drawn by	B.C. Lisondra	Q.C. Checked by	J.N. Arriola	Item Name SIDE COVER (RIGHT)	
Designed by				Material 6mm CLEAR ACRYLIC	
Recommended by	A.B. Ybañez			File name POWER SUPPLY	
Approved by	R. C. La Rosa			 <p>DepED-BLR</p>	

TOLERANCES FOR LENGTH GAUGING

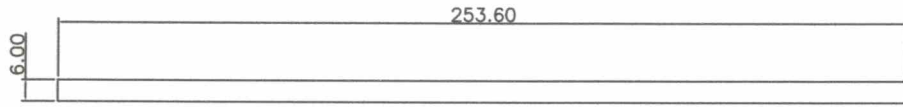
Grade of Accuracy	Nominal Size	0.5 to 3	Over 3 to 6	Over 6 to 30	Over 30 to 120	Over 120 to 400
Medium		± 0.10	± 0.10	± 0.20	± 0.30	± 0.50

TOLERANCES FOR RADIUS & CHAMFERS

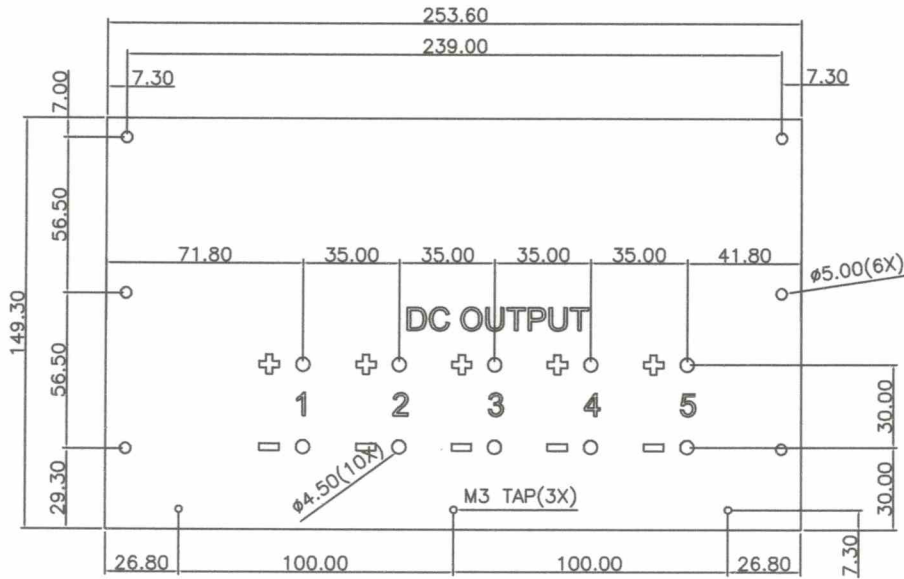
Grade of Accuracy	Nominal Size	0.5 to 3	Over 3 to 6	Over 6 to 30	Over 30 to 120
Smooth Medium		± 0.20	± 0.50	± 1.00	± 2.00

SYM	REVISION	DATE	BY

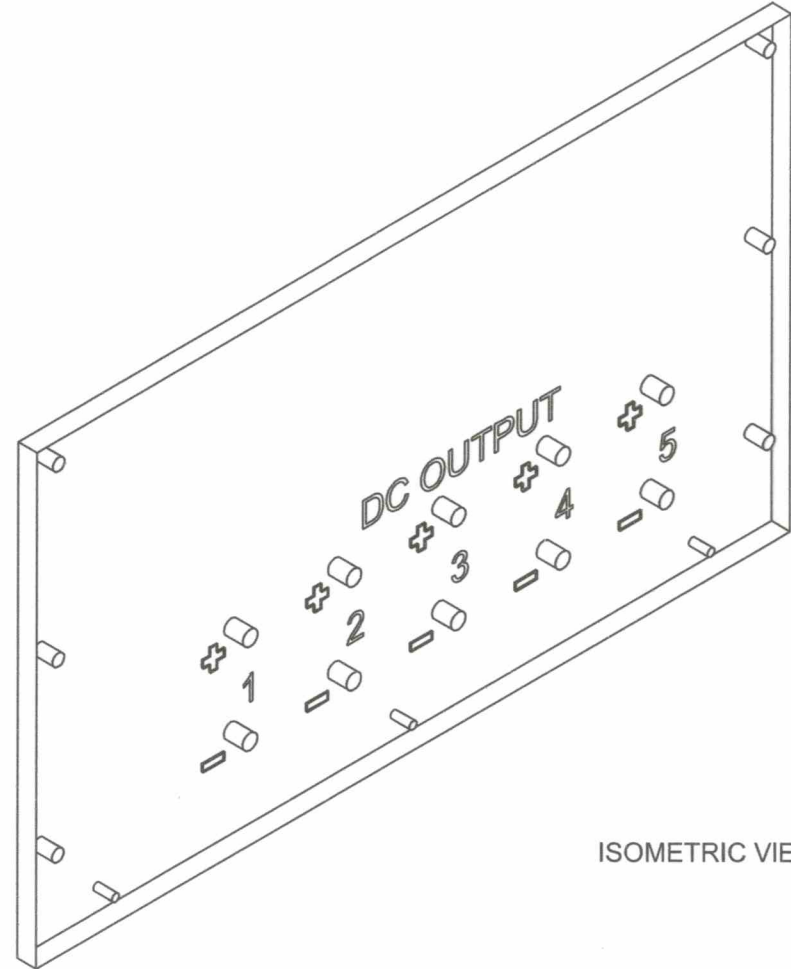
PHYSICS



TOP VIEW



FRONT VIEW



ISOMETRIC VIEW

GOVERNMENT PROPERTY

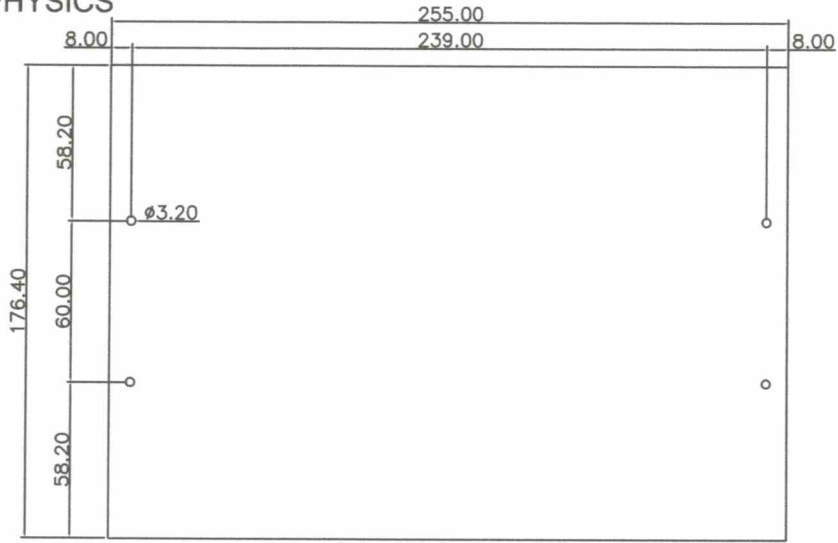
Date	SEPT 2021	Scale	NTS	VARIABLE POWER SUPPLY	
Conceptualized by					
Drawn by	B.C. Lisondra	Item Name	SIDE COVER (LEFT)		Sheet
Designed by		Material	6mm CLEAR ACRYLIC PLASTIC		04
Q.C. Checked by	J.N. Ariola	File name	POWER SUPPLY		
Recommended by	A.B. Ybañez	 DepED-BLR			
Approved by	R. C. La Rosa				

TOLERANCES FOR LENGTH GAUGING						
Grade of Accuracy	Nominal Size	0.5 to 3	Over 3 to 6	Over 6 to 30	Over 30 to 120	Over 120 to 400
Medium		± 0.10	± 0.10	± 0.20	± 0.30	± 0.50

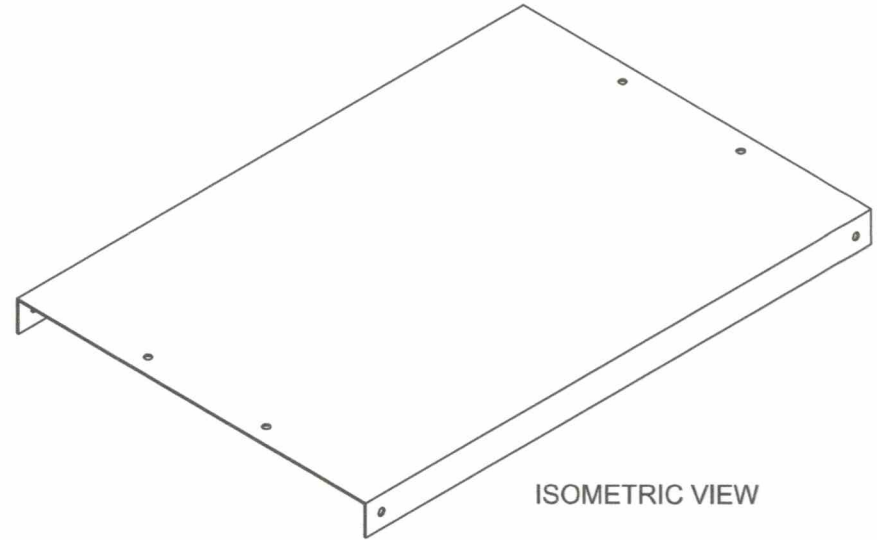
TOLERANCES FOR RADIUS & CHAMFERS					
Grade of Accuracy	Nominal Size	0.5 to 3	Over 3 to 6	Over 6 to 30	Over 30 to 120
Smooth		± 0.20	± 0.50	± 1.00	± 2.00
Medium		± 0.20	± 0.50	± 1.00	± 2.00

SYM	REVISION	DATE	BY

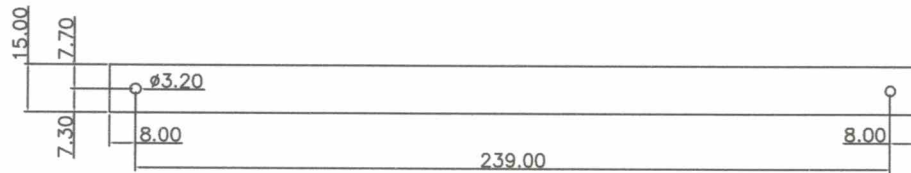
PHYSICS



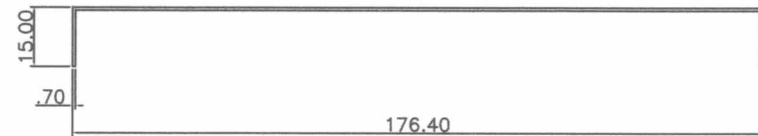
TOP VIEW



ISOMETRIC VIEW



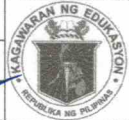
FRONT VIEW



SIDE VIEW

GOVERNMENT PROPERTY

VARIABLE POWER SUPPLY

Date	SEPT 2021	Scale	NTS
Conceptualized by			
Drawn by	B.C. Lisondra	Item Name	TOP COVER
Designed by	Q.C. Checked by	Material	0.70mm SS SHEET
	J.N. Arida	File name	POWER SUPPLY
Recommended by	A.B. Ybañez	 <p>DepED-BLR</p>	
Approved by	R. C. La Rosa		

TOLERANCES FOR LENGTH GAUGING

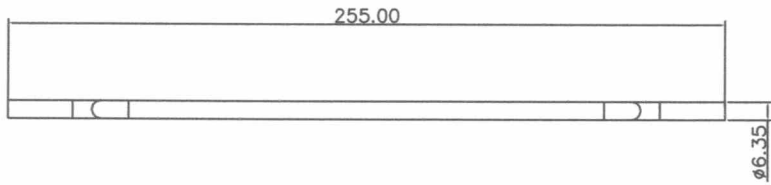
Grade of Accuracy	Nominal Size	0.5 to 3	Over 3 to 6	Over 6 to 30	Over 30 to 120	Over 120 to 400
Medium		± 0.10	± 0.10	± 0.20	± 0.30	± 0.50

TOLERANCES FOR RADIUS & CHAMFERS

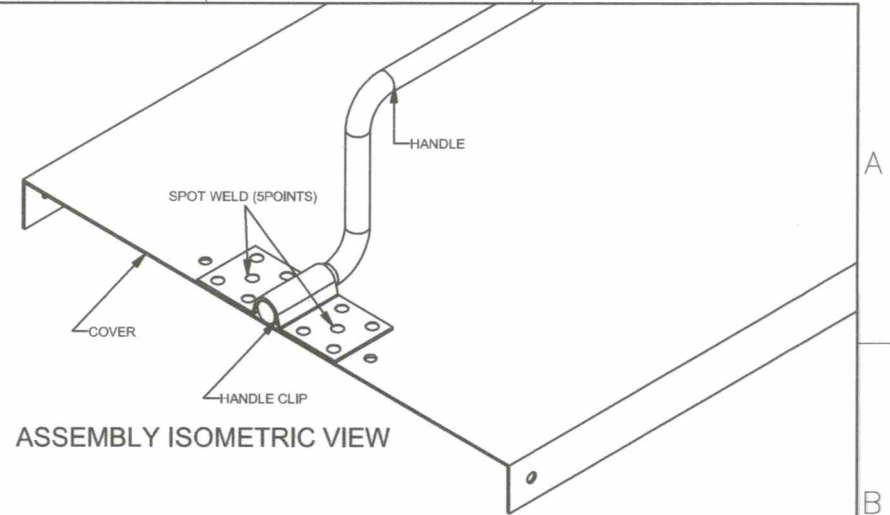
Grade of Accuracy	Nominal Size	0.5 to 3	Over 3 to 6	Over 6 to 30	Over 30 to 120
Smooth		± 0.20	± 0.50	± 1.00	± 2.00
Medium		± 0.20	± 0.50	± 1.00	± 2.00

SYM	REVISION	DATE	BY

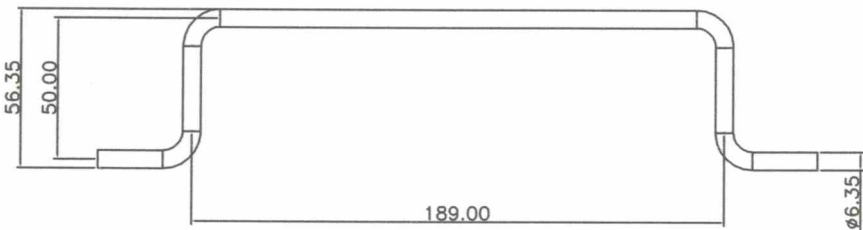
PHYSICS



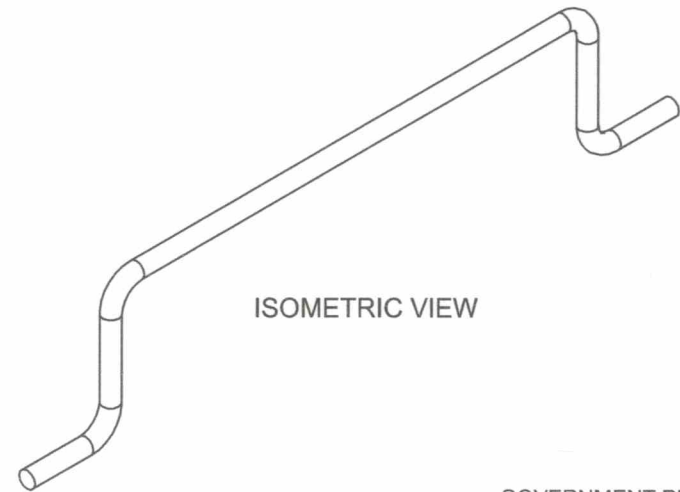
TOP VIEW



ASSEMBLY ISOMETRIC VIEW



FRONT VIEW



ISOMETRIC VIEW

GOVERNMENT PROPERTY

VARIABLE POWER SUPPLY

Date	SEPT 2021	Scale	NTS	Item Name SS HANDLE	Sheet 06
Conceptualized by					
Drawn by	B.C. Lisondra			Recommended by	
Designed by	Q.S. Checked by			A.B. Ybañez	
				J.N. Ariola	
Approved by				R. C. La Rosa	



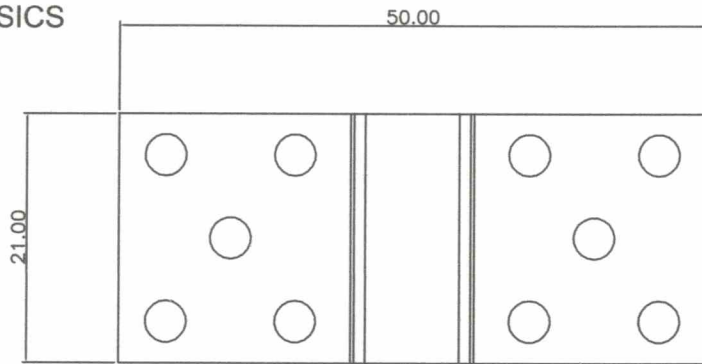
DepED-BLR

TOLERANCES FOR LENGTH GAUGING						
Grade of Accuracy	Nominal Size	0.5 to 3	Over 3 to 6	Over 6 to 30	Over 30 to 120	Over 120 to 400
Medium		± 0.10	± 0.10	± 0.20	± 0.30	± 0.50

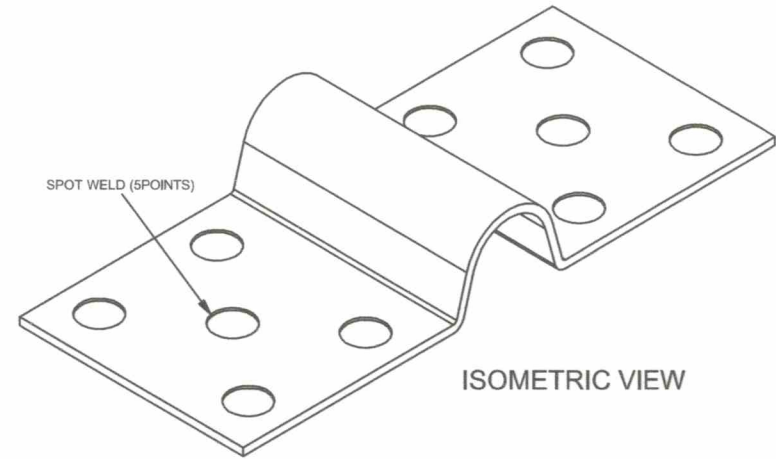
TOLERANCES FOR RADIUS & CHAMFERS					
Grade of Accuracy	Nominal Size	0.5 to 3	Over 3 to 6	Over 6 to 30	Over 30 to 120
Smooth		± 0.20	± 0.50	± 1.00	± 2.00
Medium		± 0.20	± 0.50	± 1.00	± 2.00

SYM	REVISION	DATE	BY

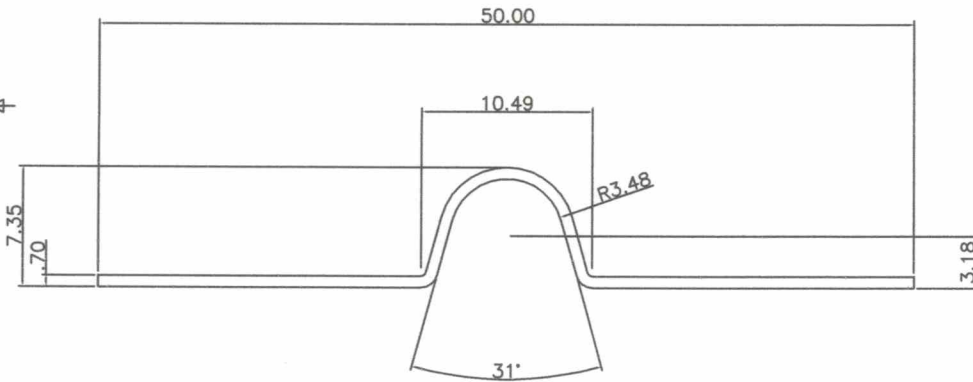
PHYSICS



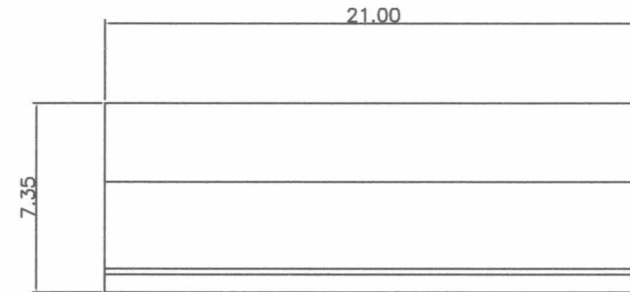
TOP VIEW



ISOMETRIC VIEW

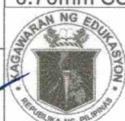


FRONT VIEW



SIDE VIEW

GOVERNMENT PROPERTY

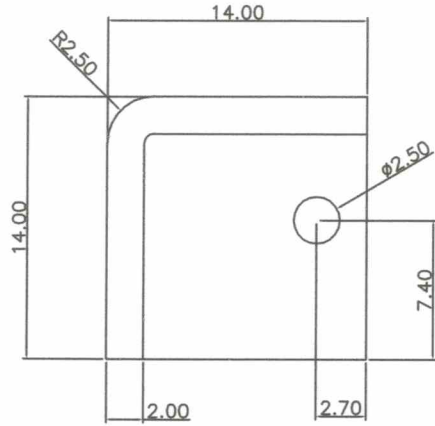
Date	SEPT 2021	Scale	NTS	VARIABLE POWER SUPPLY	
Conceptualized by					
Drawn by	B.C. Lisondra	Q.C. Checked by	J.N. Arida	HANDLE CLIP	07
Designed by				Material	File name
Recommended by	A.B. Ybañez			0.70mm SS SHEET	POWER SUPPLY
Approved by	R. C. La Rosa			 DepED-BLR	

TOLERANCES FOR LENGTH GAUGING						
Grade of Accuracy	Nominal Size	0.5 to 3	Over 3 to 6	Over 6 to 30	Over 30 to 120	Over 120 to 400
Medium		± 0.10	± 0.10	± 0.20	± 0.30	± 0.50

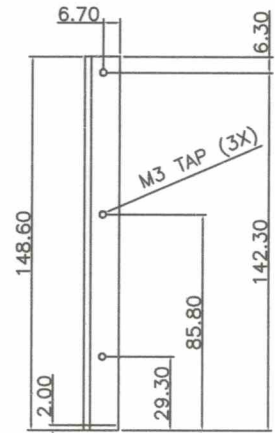
TOLERANCES FOR RADIUS & CHAMFERS					
Grade of Accuracy	Nominal Size	0.5 to 3	Over 3 to 6	Over 6 to 30	Over 30 to 120
Smooth		± 0.20	± 0.50	± 1.00	± 2.00
Medium					

SYM	REVISION	DATE	BY

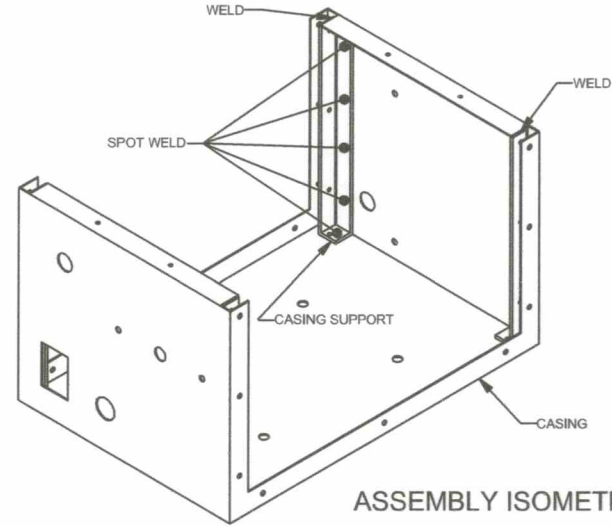
PHYSICS



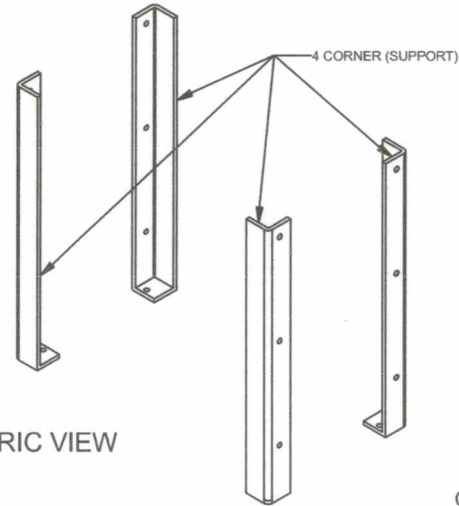
TOP VIEW



FRONT VIEW



ASSEMBLY ISOMETRIC VIEW



ISOMETRIC VIEW

GOVERNMENT PROPERTY

Date	SEPT 2021	Scale	NTS	VARIABLE POWER SUPPLY	
Conceptualized by					
Drawn by	B.C. Lisondra			Item Name	Sheet
Designed by	J.N. Arida			CASING SUPPORT	08
Recommended by	A.B. Ybañez			Material	File name
Approved by	R. C. La Rosa			2mm THICK SS PLATE	POWER SUPPLY

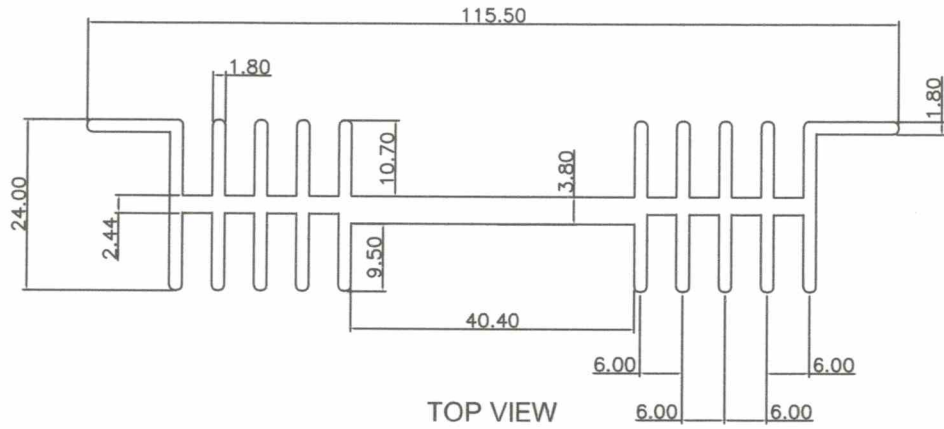


DepED-BLR

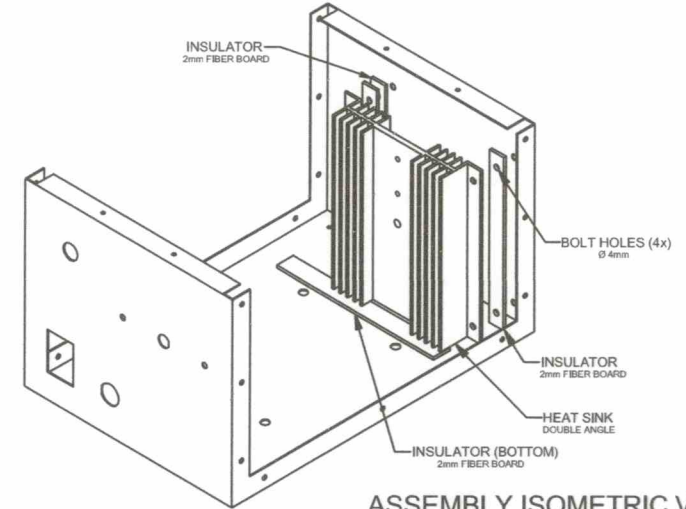
TOLERANCES FOR LENGTH GAUGING						SYM	REVISION	DATE	BY
Grade of Accuracy	Nominal Size	0.5 to 3	Over 3 to 6	Over 6 to 30	Over 30 to 120				
Medium		± 0.10	± 0.10	± 0.20	± 0.30	± 0.50			

TOLERANCES FOR RADIUS & CHAMFERS						SYM	REVISION	DATE	BY
Grade of Accuracy	Nominal Size	0.5 to 3	Over 3 to 6	Over 6 to 30	Over 30 to 120				
Smooth Medium		± 0.20	± 0.50	± 1.00	± 2.00				

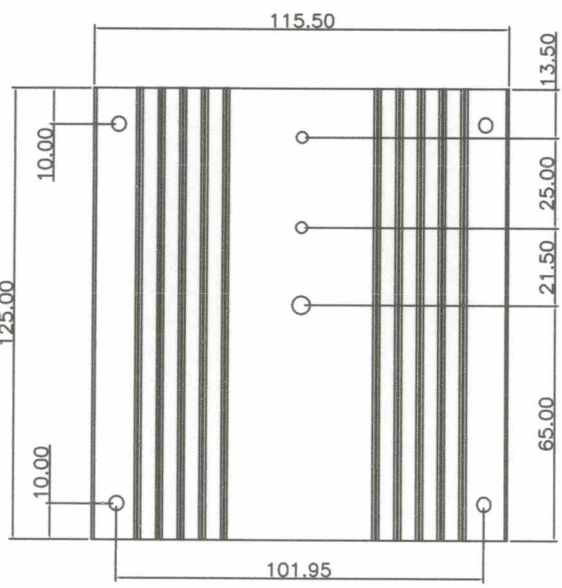
PHYSICS



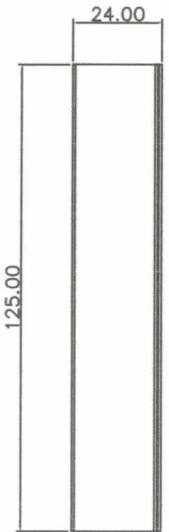
TOP VIEW



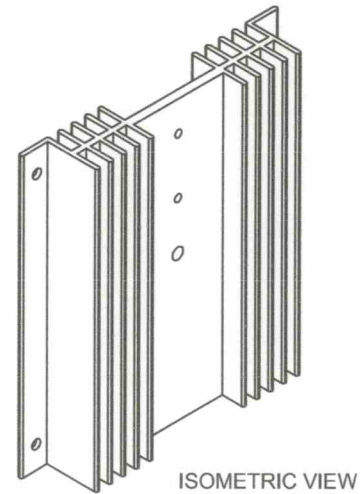
ASSEMBLY ISOMETRIC VIEW



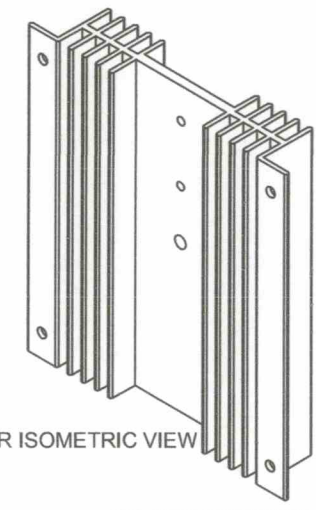
FRONT VIEW



SIDE VIEW



ISOMETRIC VIEW



REAR ISOMETRIC VIEW

GOVERNMENT PROPERTY

TOLERANCES FOR LENGTH GAUGING						
Grade of Accuracy	Nominal Size	0.5 to 3	Over 3 to 6	Over 6 to 30	Over 30 to 120	Over 120 to 400
Medium		± 0.10	± 0.10	± 0.20	± 0.30	± 0.50

TOLERANCES FOR RADIUS & CHAMFERS					
Grade of Accuracy	Nominal Size	0.5 to 3	Over 3 to 6	Over 6 to 30	Over 30 to 120
Smooth		± 0.20	± 0.50	± 1.00	± 2.00
Medium		± 0.20	± 0.50	± 1.00	± 2.00

SYM	REVISION	DATE	BY

Date	SEPT 2021	Scale	NTS
Conceptualized by			
Drawn by	B.C. Lisonda		
Designed by	Q.C. Checked by	J.N. Arrija	
Recommended by	A.B. Ybañez		
Approved by	R. C. La Rosa		

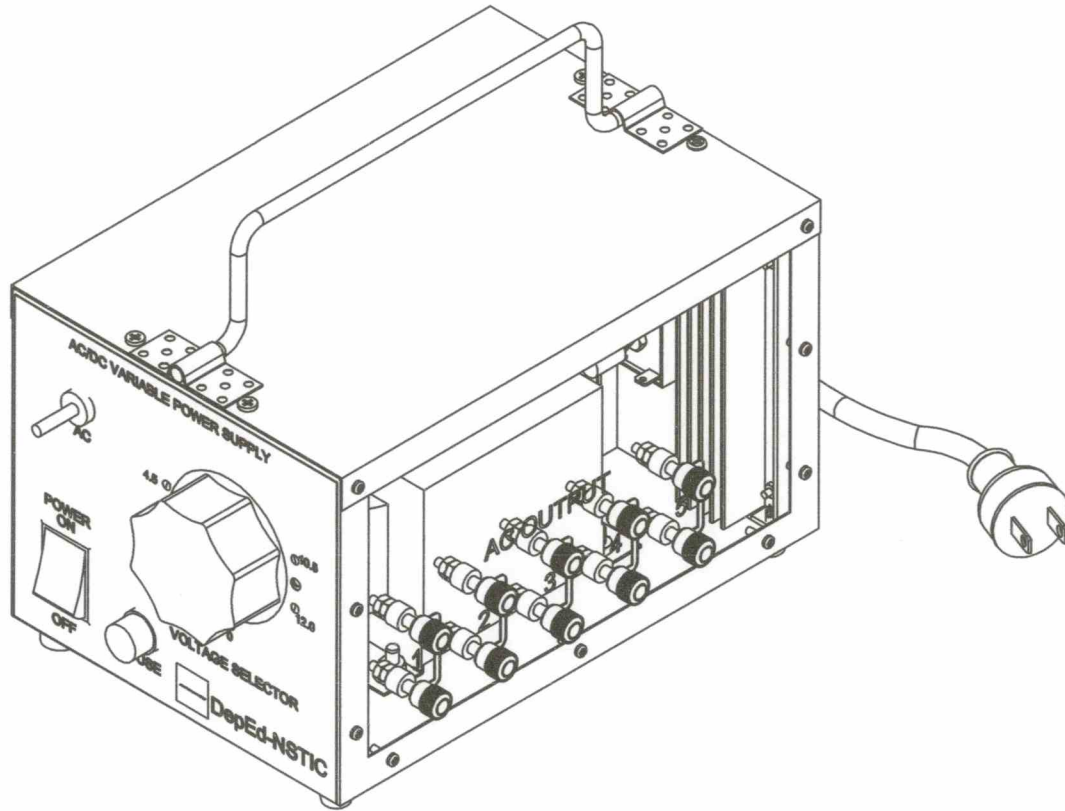
VARIABLE POWER SUPPLY

Item Name	HEAT SINK	Sheet	09
Material	ALUMINUM	File name	POWER SUPPLY

DepED-BLR

PHYSICS

AC/DC VARIABLE POWER SUPPLY		
PARTS AND SPECIFICATIONS		
PART NAME	SPECIFICATION	QUANTITY
1. VOLTAGE SELECTOR	10 AMP. 9 TERMINALS HIGH QUALITY , BOLTED TYPE	1 pc.
2. ROYAL CORD	1.25 sq.mm. / 2C	3 meters
3. MALE PLUG	HEAVY DUTY WEATHER PROOF	1 pc.
4. BINDING POST	4mm Diameter Post	15 pcs. BLACK 5 pcs. RED
5. BRIDGE DIODE	35 AMP. 1000 V	1 pc.
6. THERMAL SWITCH	65 DEG. CELSIUS,(AUTOMATIC RESET)	1 pc.
7. CAPACITOR	1000 uF 25 V	1 pc.
8. POWER SWITCH	SEESAW TYPE WITH PILOT LIGHT 15 AMP.	1 pc.
9. TOGGLE SWITCH	250 V , 4 PINS/LEGS CENTER OFF 15 AMP.	1 pc.
10. FUSE	10 AMP. , 250 V GLASS TYPE, 30mm LENGHT	1 pc.
11. FUSE HOLDER	CHASIS TYPE , LONG SIZE	1 pc.
12. RESISTORS	500 K 10 K	1 pc. 1 pc.
13. CABLE GLAND	FOR 9mm DIA. CABLE	1 pc.
14. HEAT SINK	ALUMINUM 5 in. / DOUBLE SIDED/ANGLE	1 pc.
15. TERMINAL CONNECTORS	RING type WIRE CRIMP #5.5-5 FORK WIRE CRIMP #2-45 FEMALE PUSH-ON WIRE CRIMP #125-250	18 pcs. 6 pcs. 6 pcs.
16. WIRES	SOLID WIRE # 14 AUTOMOTIVE STRANDED WIRE # 14	28 inches 5 meters
17. VARIABLE POWER SUPPLY TRANSFORMER	150 W , 12.5 AMP. PRIMARY - 220/240 V SECONDARY - 1.5V,3.0V,4.5V,6.0V,7.5V,9.0V,10.5V,12.0V	1 unit



GOVERNMENT PROPERTY

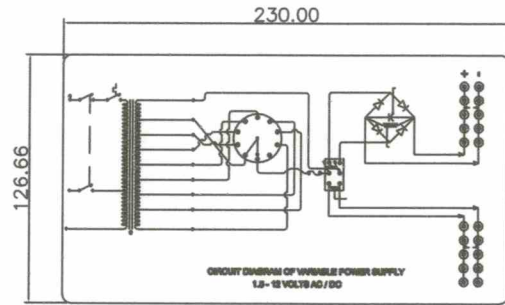
Date	SEPT 2021	Scale	NTS	VARIABLE POWER SUPPLY	
Conceptualized by					
Drawn by	B.C. Lisondra	Item Name	PARTS SPECIFICATION		Sheet 10
Designed by		Checked by	J.N. Arioja	Material	POWER SUPPLY
Recommended by	A.B. Ybañez			<h2>DepED-BLR</h2>	
Approved by	R. C. La Rosa				

TOLERANCES FOR LENGTH GAUGING						
Grade of Accuracy	Nominal Size	0.5 to 3	Over 3 to 6	Over 6 to 30	Over 30 to 120	Over 120 to 400
Medium		± 0.10	± 0.10	± 0.20	± 0.30	± 0.50

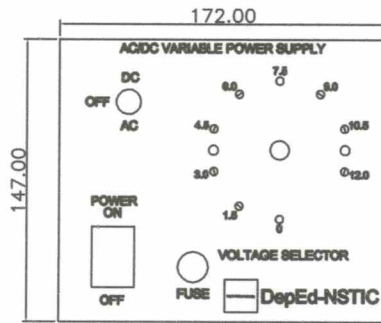
TOLERANCES FOR RADIUS & CHAMFERS					
Grade of Accuracy	Nominal Size	0.5 to 3	Over 3 to 6	Over 6 to 30	Over 30 to 120
Smooth Medium		± 0.20	± 0.50	± 1.00	± 2.00

SYM	REVISION	DATE	BY

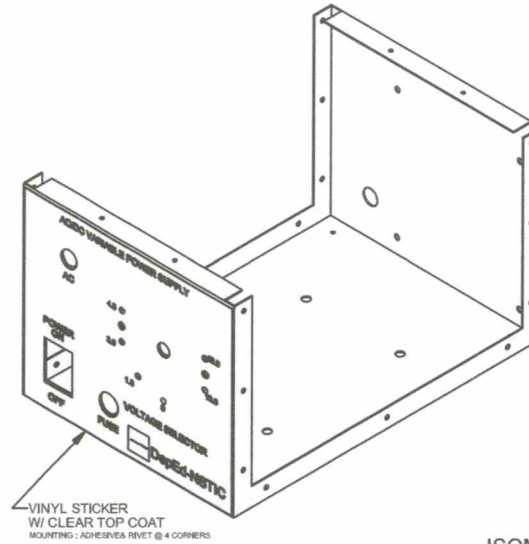
PHYSICS



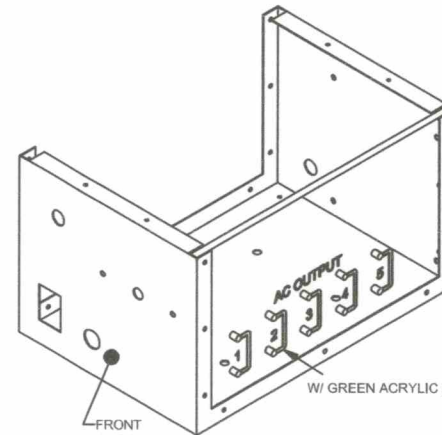
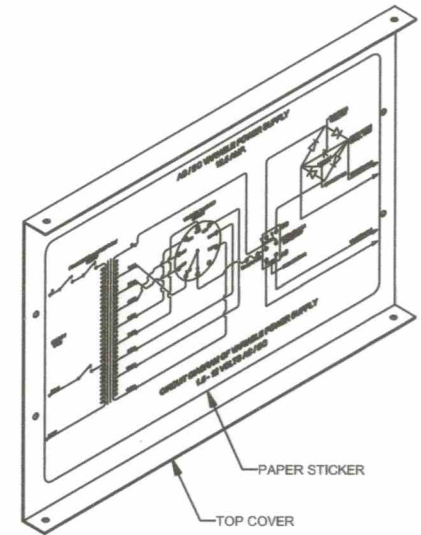
TOP COVER STICKER



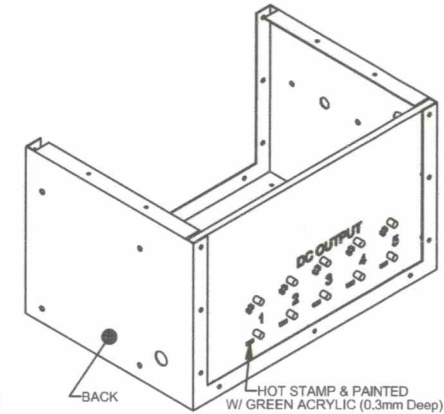
FRONT STICKER



ISOMETRIC VIEW



ISOMETRIC VIEW



GOVERNMENT PROPERTY

SIDE COVER ENGRAVE

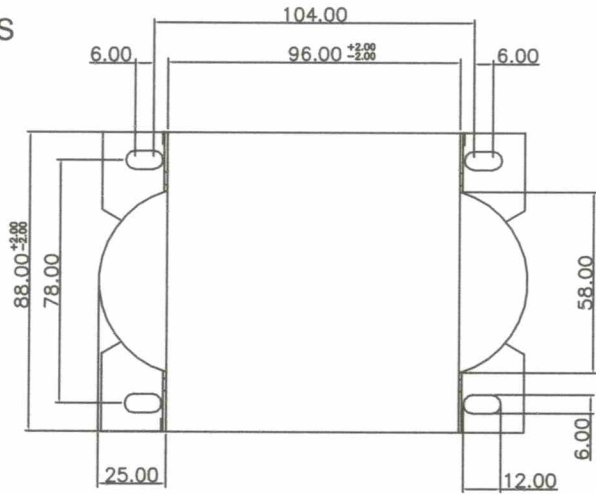
Date	SEPT 2021	Scale	NTS
Conceptualized by			
Drawn by	B.C. Lisondra		
Designed by	J.N. Arjoja		
Checked by	A.B. Ybanez		
Recommended by	R. C. La Rosa		
Approved by			

VARIABLE POWER SUPPLY	
Item Name	STICKER AND ENGRAVE DETAIL
Material	VINYL STICKER
Sheet	10-A
File name	POWER SUPPLY
 DepED-BLR	

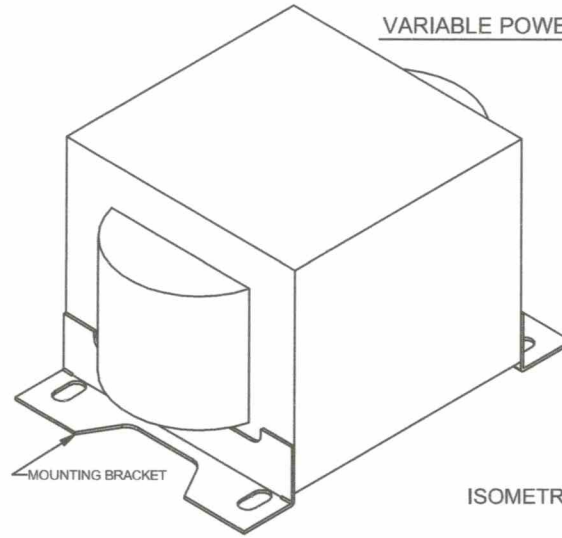
TOLERANCES FOR LENGTH GAUGING						
Grade of Accuracy	Nominal Size	0.5 to 3	Over 3 to 6	Over 6 to 30	Over 30 to 120	Over 120 to 400
Medium		± 0.10	± 0.10	± 0.20	± 0.30	± 0.50
TOLERANCES FOR RADIUS & CHAMFERS						
Grade of Accuracy	Nominal Size	0.5 to 3	Over 3 to 6	Over 6 to 30	Over 30 to 120	
Smooth		± 0.20	± 0.50	± 1.00	± 2.00	
Medium						

SYM	REVISION	DATE	BY

PHYSICS



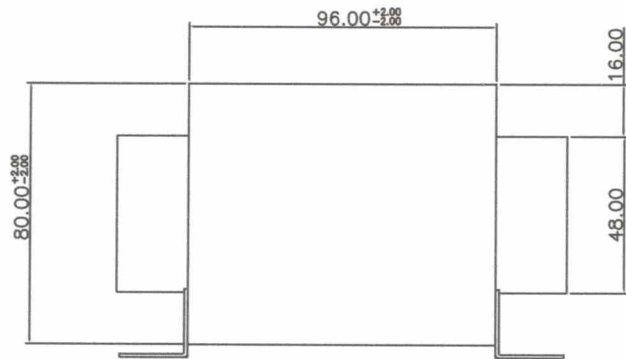
TOP VIEW



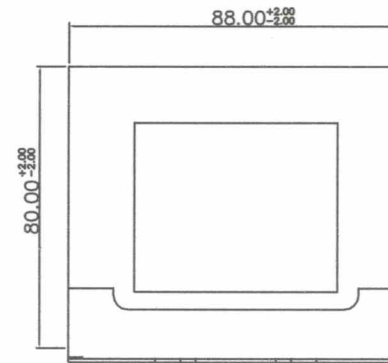
ISOMETRIC VIEW

VARIABLE POWER SUPPLY TRANSFORMER SPECS

- 150 W
- 220 / 240 V
- 12.5 AMP.
- 8 OUTPUT / TAPPINGS
 - * 1.5 * 7.5
 - * 3.0 * 9.0
 - * 4.5 * 10.5
 - * 6.0 * 12.0
- MAGNETIC WIRE # 12 (SECONDARY)
- MAGNETIC WIRE # 22 (PRIMARY)



FRONT VIEW




SIDE VIEW

GOVERNMENT PROPERTY

Notes:

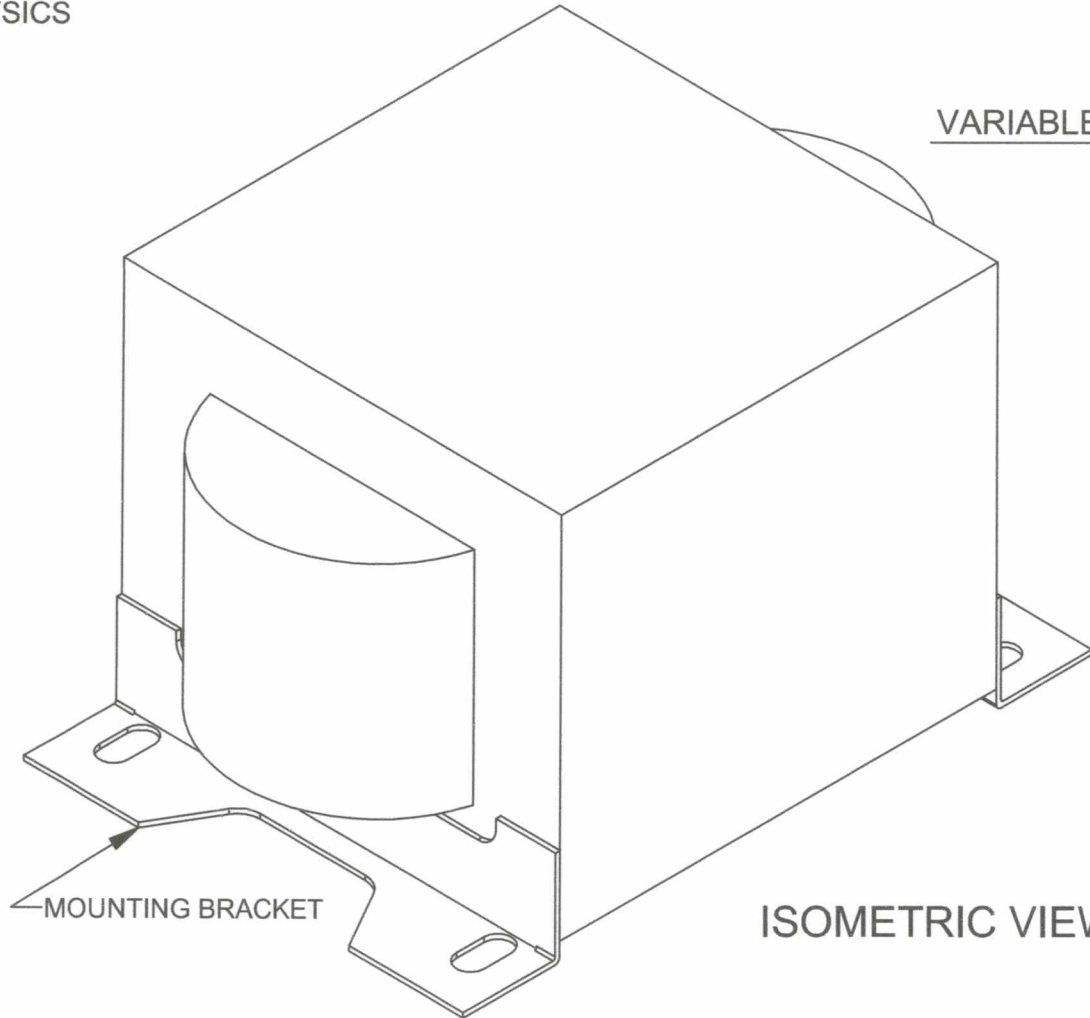
1. All dimensions are in millimeter unless otherwise specified

Date	SEPT 2021	Scale	NTS	VARIABLE POWER SUPPLY	
Conceptualized by					
Drawn by	B.C. Lisondra <i>[Signature]</i>			Item Name	Sheet
Designed by				TRANSFORMER DETAIL	10-B
Q.C. Checked by	J.N. Ariola <i>[Signature]</i>			Material	File name
Recommended by	A.B. Ybañez <i>[Signature]</i>			MAGNETIC WIRE	POWER SUPPLY
Approved by	R. C. La Rosa <i>[Signature]</i>			 DepED-BLR	

TOLERANCES FOR LENGTH GAUGING							SYM	REVISION	DATE	BY
Grade of Accuracy	Nominal Size	0.5 to 3	Over 3 to 6	Over 6 to 30	Over 30 to 120	Over 120 to 400				
Medium		± 0.10	± 0.10	± 0.20	± 0.30	± 0.50				
TOLERANCES FOR RADIUS & CHAMFERS							SYM	REVISION	DATE	BY
Grade of Accuracy	Nominal Size	0.5 to 3	Over 3 to 6	Over 6 to 30	Over 30 to 120					
Smooth Medium		± 0.20	± 0.50	± 1.00	± 2.00					

PHYSICS

VARIABLE POWER SUPPLY TRANSFORMER SPECS



ISOMETRIC VIEW

- 150 W
- 220 / 240 V
- 12.5 AMP.
- 8 OUTPUT / TAPPINGS
 - * 1.5 * 7.5
 - * 3.0 * 9.0
 - * 4.5 * 10.5
 - * 6.0 * 12.0
- MAGNETIC WIRE # 12
(SECONDARY)
- MAGNETIC WIRE # 22
(PRIMARY)


Notes:

1. All dimensions are in millimeter unless otherwise specified

GOVERNMENT PROPERTY

TOLERANCES FOR LENGTH GAUGING						
Grade of Accuracy	Nominal Size	Over 0.5 to 3	Over 3 to 6	Over 6 to 30	Over 30 to 120	Over 120 to 400
Medium		± 0.10	± 0.10	± 0.20	± 0.30	± 0.50

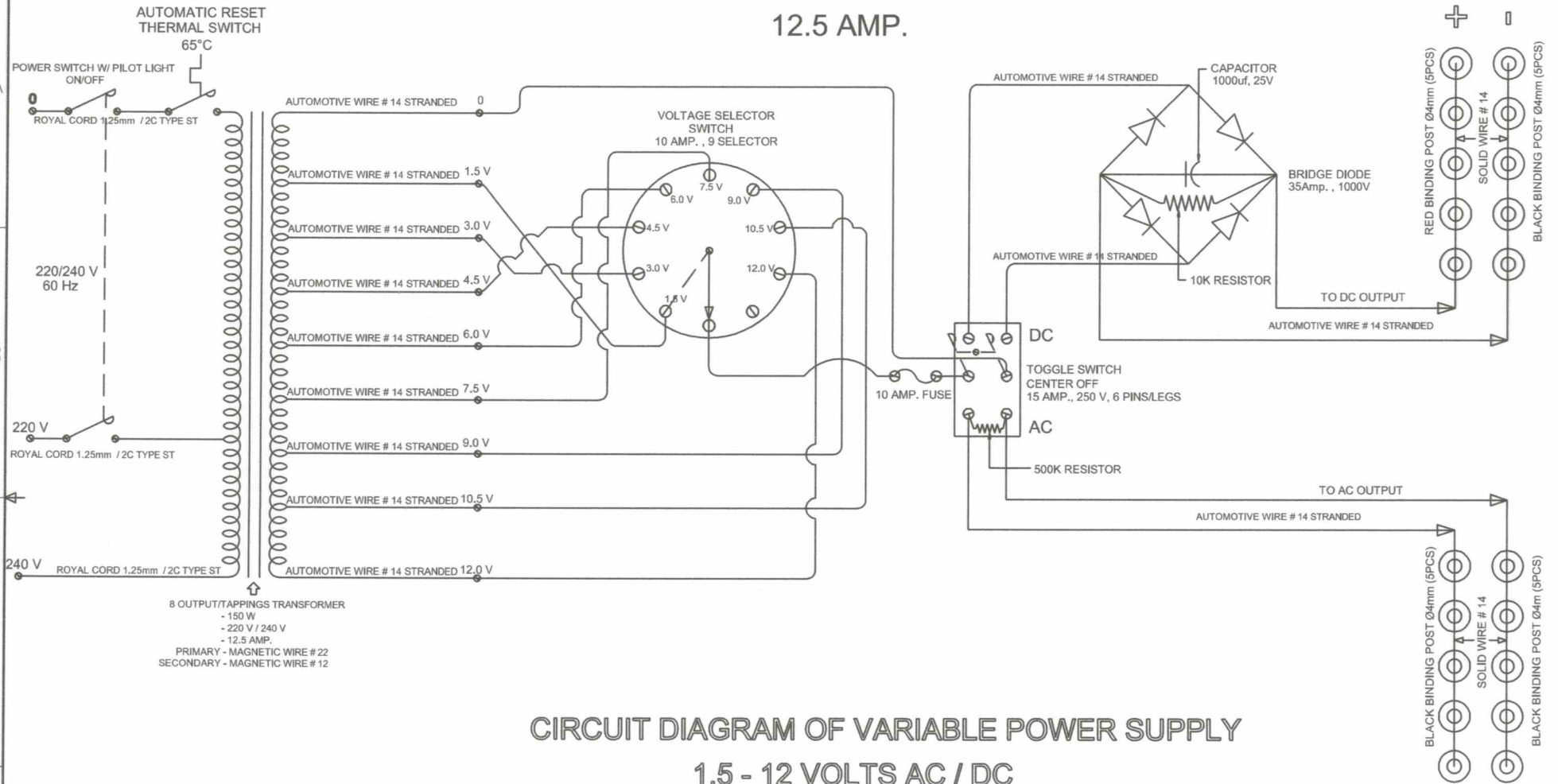
TOLERANCES FOR RADIUS & CHAMFERS					
Grade of Accuracy	Nominal Size	Over 0.5 to 3	Over 3 to 6	Over 6 to 30	Over 30 to 120
Smooth Medium		± 0.20	± 0.50	± 1.00	± 2.00

Date	SEPT 2021	Scale	NTS	VARIABLE POWER SUPPLY	
Conceptualized by					
Drawn by	B.C. Lisonda	Item Name	TRANSFORMER 3D		Sheet
Designed by		Material			10-C
Checked by	J.N. Arioja	File name			POWER SUPPLY
Recommended by	A.B. Ybanez	 DepED-BLR			
Approved by	R. C. La Rosa				

SYM	REVISION	DATE	BY

PHYSICS

AC / DC VARIABLE POWER SUPPLY
12.5 AMP.




CIRCUIT DIAGRAM OF VARIABLE POWER SUPPLY
1.5 - 12 VOLTS AC / DC

GOVERNMENT PROPERTY

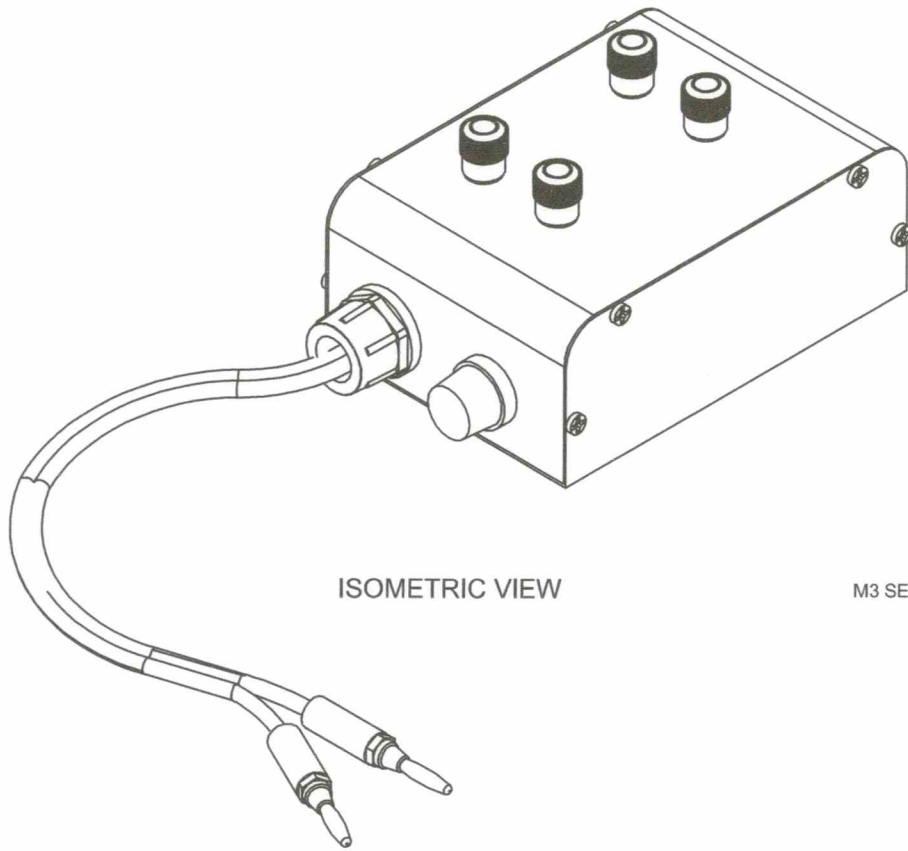
TOLERANCES FOR LENGTH GAUGING						
Grade of Accuracy	Nominal Size	Over 0.5 to 3	Over 3 to 6	Over 6 to 30	Over 30 to 120	Over 120 to 400
Medium		± 0.10	± 0.10	± 0.20	± 0.30	± 0.50

TOLERANCES FOR RADIUS & CHAMFERS					
Grade of Accuracy	Nominal Size	Over 0.5 to 3	Over 3 to 6	Over 6 to 30	Over 30 to 120
Smooth Medium		± 0.20	± 0.50	± 1.00	± 2.00

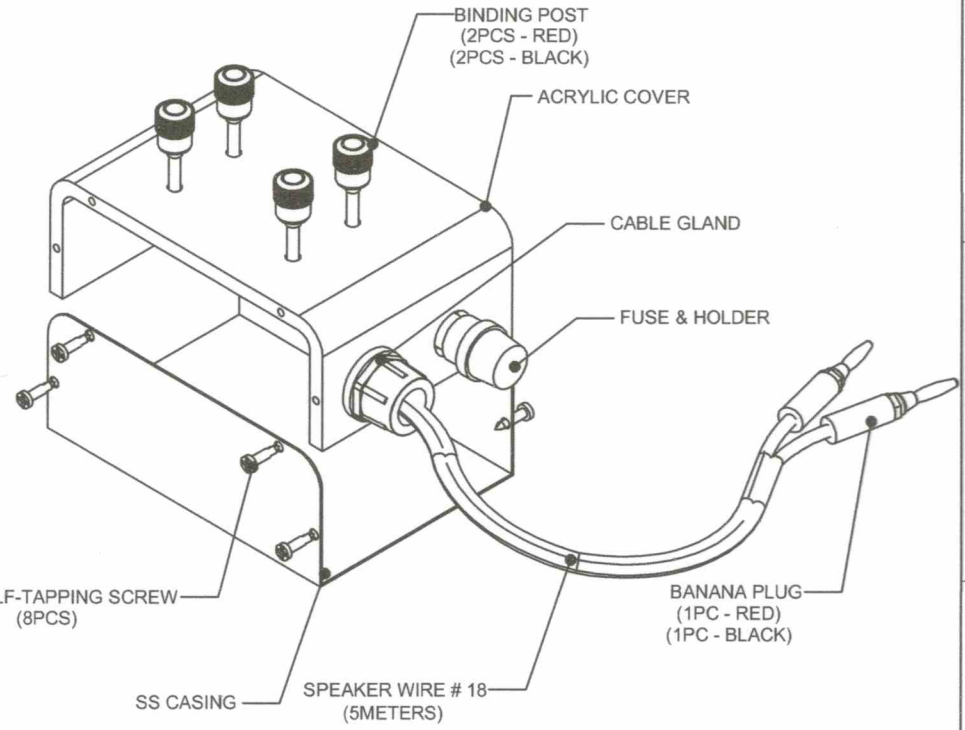
SYM	REVISION	DATE	BY

Date	SEPT 2021	Scale	NTS	VARIABLE POWER SUPPLY	
Conceptualized by					
Drawn by	B.C. Lisonda			Item Name	CIRCUIT DIAGRAM (SCHEMATIC)
Designed by	V.B. Agot			Material	
Checked by	J.N. Ariola			Sheet	10-D
Recommended by	A.B. Ybanez			File name	POWER SUPPLY
Approved by	R. C. La Rosa			 DepED - BLR	

PHYSICS



ISOMETRIC VIEW



EXPLODED VIEW

GOVERNMENT PROPERTY

Date	SEPT 2021	Scale	NTS
Conceptualized by			
Drawn by	B.C. Lisondra		Item Name
Designed by	Q.C. Checked by	J.N. Arida	ASSEMBLY
Recommended by	A.B. Ybañez	Material	CLEAR ACRYLIC & 0.70mm SS SHEET
Approved by	R. C. La Rosa	Sheet	01
		File name	TERMINAL BOARD

TERMINAL BOARD

DepED-BLR

TOLERANCES FOR LENGTH GAUGING

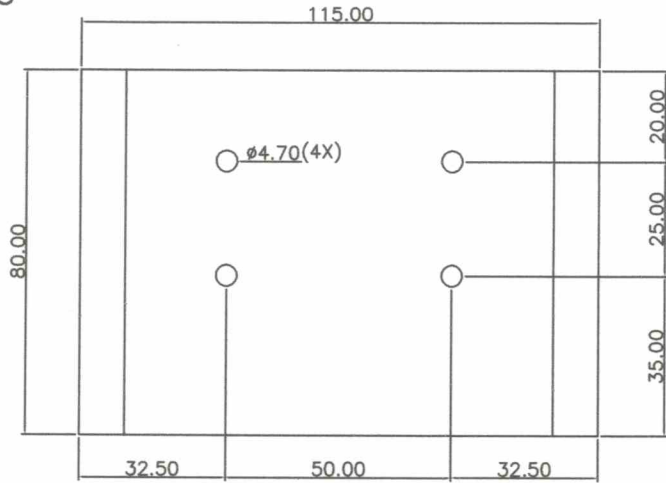
Grade of Accuracy	Nominal Size	0.5 to 3	Over 3 to 6	Over 6 to 30	Over 30 to 120	Over 120 to 400
Medium		± 0.10	± 0.10	± 0.20	± 0.30	± 0.50

TOLERANCES FOR RADIUS & CHAMFERS

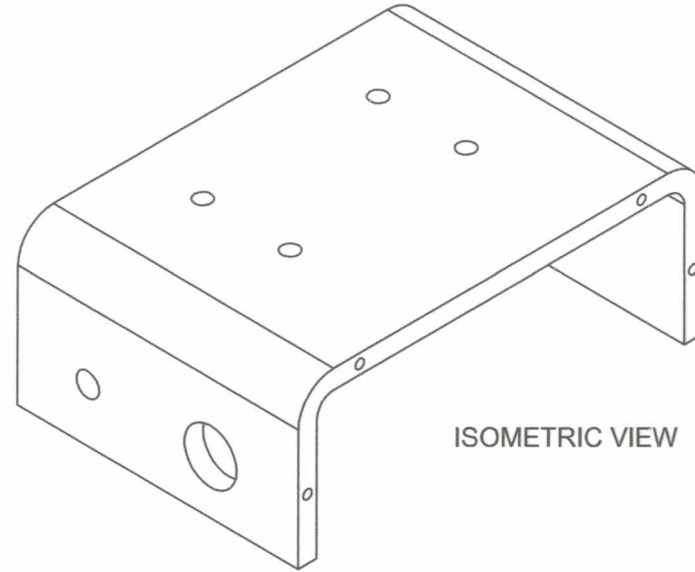
Grade of Accuracy	Nominal Size	0.5 to 3	Over 3 to 6	Over 6 to 30	Over 30 to 120
Smooth Medium		± 0.20	± 0.50	± 1.00	± 2.00

SYM	REVISION	DATE	BY

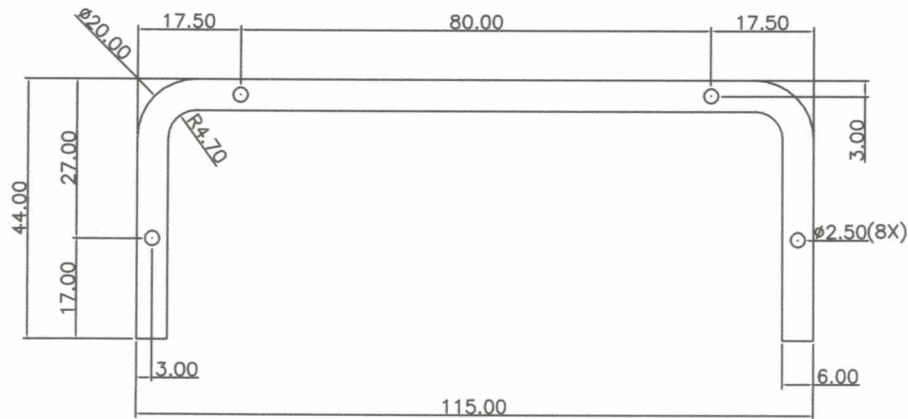
PHYSICS



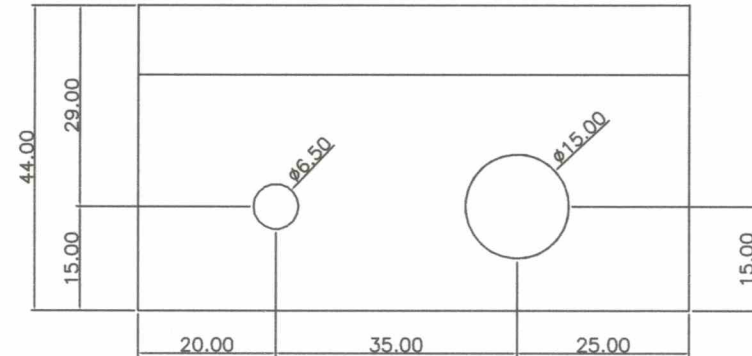
TOP VIEW



ISOMETRIC VIEW



FRONT VIEW



SIDE VIEW

GOVERNMENT PROPERTY

Date	SEPT 2021	Scale	NTS
Conceptualized by			
Drawn by	B.C. Lisondra		
Designed by	Q.C. Checked by		
	J.N. Arrija		
Recommended by	A.B. Ybañez		
Approved by	R. C. La Rosa		

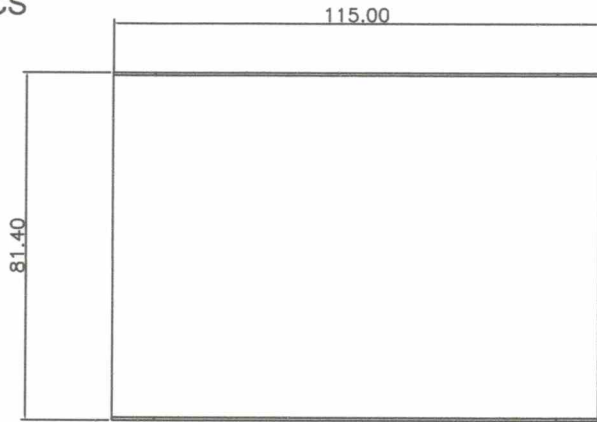
TERMINAL BOARD	
Item Name	TOP COVER
Material	6mm CLEAR ACRYLIC
Sheet	02
File name	TERMINAL BOARD
DepED-BLR	

TOLERANCES FOR LENGTH GAUGING						
Grade of Accuracy	Nominal Size	0.5 to 3	Over 3 to 6	Over 6 to 30	Over 30 to 120	Over 120 to 400
Medium		± 0.10	± 0.10	± 0.20	± 0.30	± 0.50

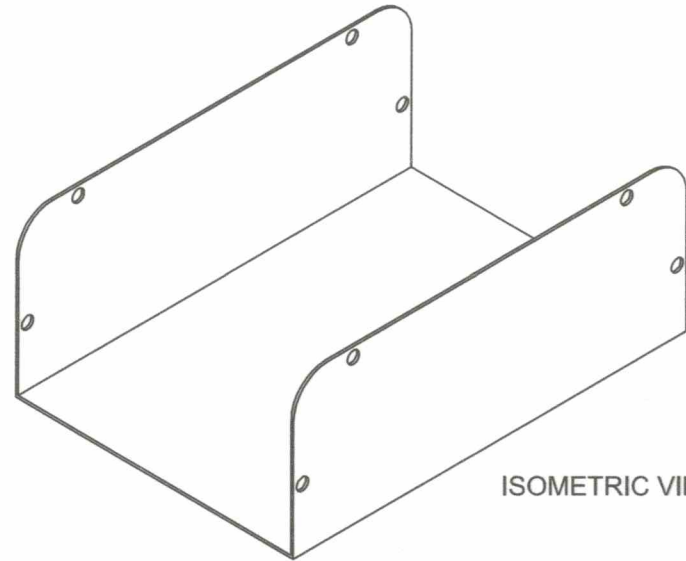
TOLERANCES FOR RADIUS & CHAMFERS					
Grade of Accuracy	Nominal Size	0.5 to 3	Over 3 to 6	Over 6 to 30	Over 30 to 120
Smooth		± 0.20	± 0.50	± 1.00	± 2.00
Medium		± 0.20	± 0.50	± 1.00	± 2.00

SYM	REVISION	DATE	BY

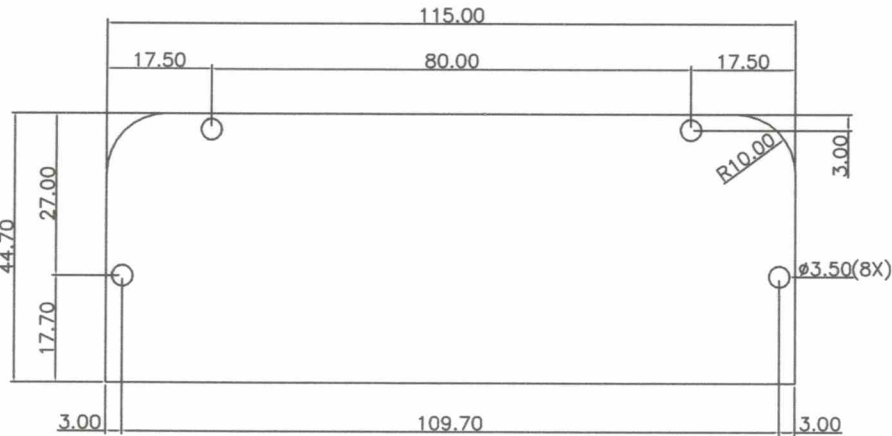
PHYSICS



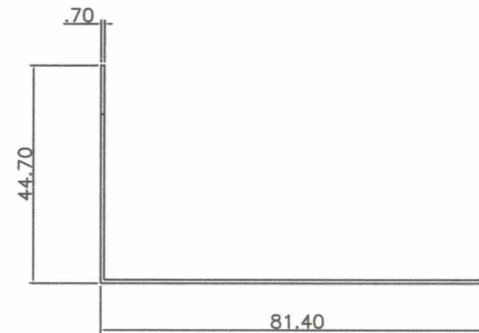
TOP VIEW



ISOMETRIC VIEW



FRONT VIEW



SIDE VIEW

GOVERNMENT PROPERTY

Date	SEPT 2021	Scale	NTS
Conceptualized by			
Drawn by	B.C. Lisondra		Item Name
Designed by	Q.C. Checked by	J.N. Arida	BOTTOM CASING
Recommended by			Material
A.B. Ybañez			0.70mm SS SHEET
Approved by			Sheet
R. C. La Rosa			03
			File name
			TERMINAL BOARD

TERMINAL BOARD

DepED-BLR

TOLERANCES FOR LENGTH GAUGING						
Grade of Accuracy	Nominal Size	0.5 to 3	Over 3 to 6	Over 6 to 30	Over 30 to 120	Over 120 to 400
Medium		± 0.10	± 0.10	± 0.20	± 0.30	± 0.50

TOLERANCES FOR RADIUS & CHAMFERS					
Grade of Accuracy	Nominal Size	0.5 to 3	Over 3 to 6	Over 6 to 30	Over 30 to 120
Smooth		± 0.20	± 0.50	± 1.00	± 2.00
Medium					

SYM	REVISION	DATE	BY