
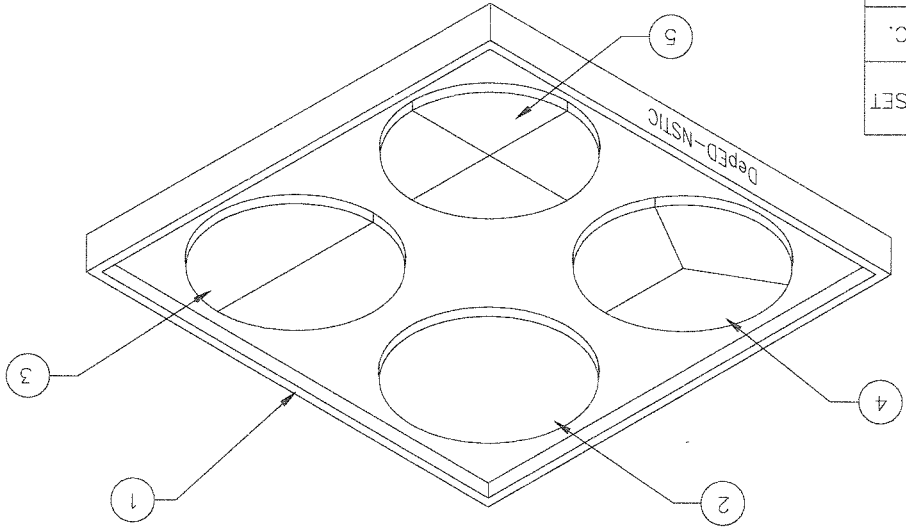


DepED-BLR 		Approved by <i>[Signature]</i> R. C. La Rosa
KILN-DRIED HARD SOLID WOOD		Recommended by <i>[Signature]</i> M. S. Maquilas
Material CIRCLE FRACTION COMPONENTS	Designed by B. C. Lisongra	Checked by <i>[Signature]</i>
Item Name FRACTION SET	Drawn by B. C. Lisongra	Conceptualized by B. C. Lisongra
Sheet 1 / 4	Date AUGUST 26, 2014	Scale (NTS)

TOLERANCES FOR LENGTH GAUGING		TOLERANCES FOR RADIUS & CHAMFERS	
Grade of Accuracy	Normal Size	Grade of Accuracy	Normal Size
± 0.10	0.5 to 3	± 0.10	0.5 to 3
Over	3 to 6	Over	3 to 6
Over	6 to 30	Over	6 to 30
Over	30 to 120	Over	30 to 120
Over	120 to 400	Over	120 to 400
Medium	± 0.10	Medium	± 0.10
± 0.20	± 0.20	± 0.30	± 0.30
± 0.50	± 0.50	± 1.00	± 1.00
Smooth	± 2.00	Smooth	± 2.00

ITEM NO.	QTY/SET	CIRCLE FRACTION COMPONENTS
1	1 PC.	MAIN BOARD
2	1 PC.	WHOLE CIRCLE
3	2 PCS	HALF-CIRCLE
4	3 PCS	A THIRD OF A CIRCLE
5	4 PCS	QUARTER OF A CIRCLE



- NOTE: DO NOT USE PLYWOOD OR PLYBOARD.
- SURFACES MUST BE POLISHED.
 - APPLY OIL-BASED WOOD PRIMER AND WOOD PUTTY TO HAVE AN AUTO BODY-LIKE SURFACE FINISH.
 - FINISH WITH 2 COATS OF OIL-BASED GLOSSY PAINT. (PLS. REFER TO THE TABULATION OF PAINT COLORS IN SEPARATE PAGE.)
 - REMOVE SHARP EDGES.

GOVERNMENT PROPERTY

C

B

A

6

5

4

3

2

1


6

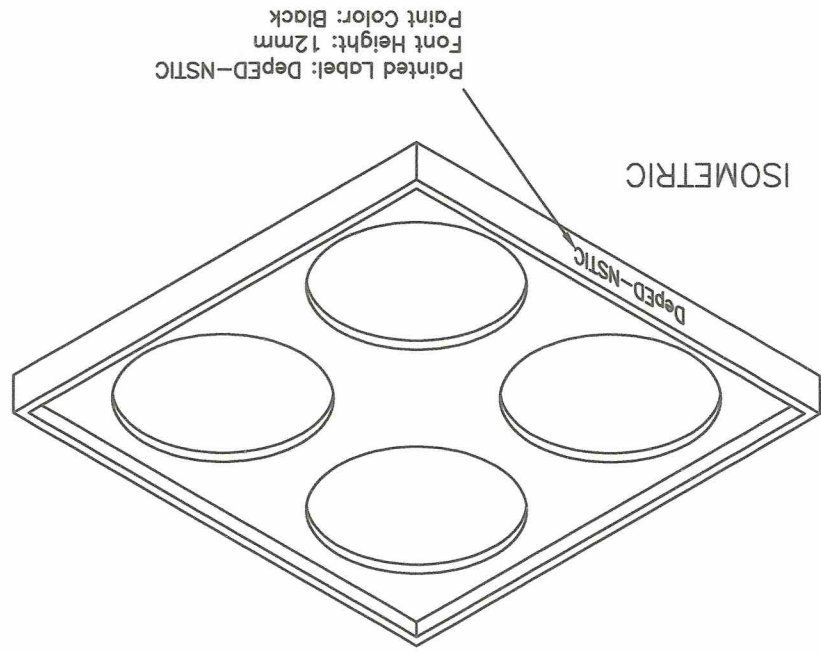
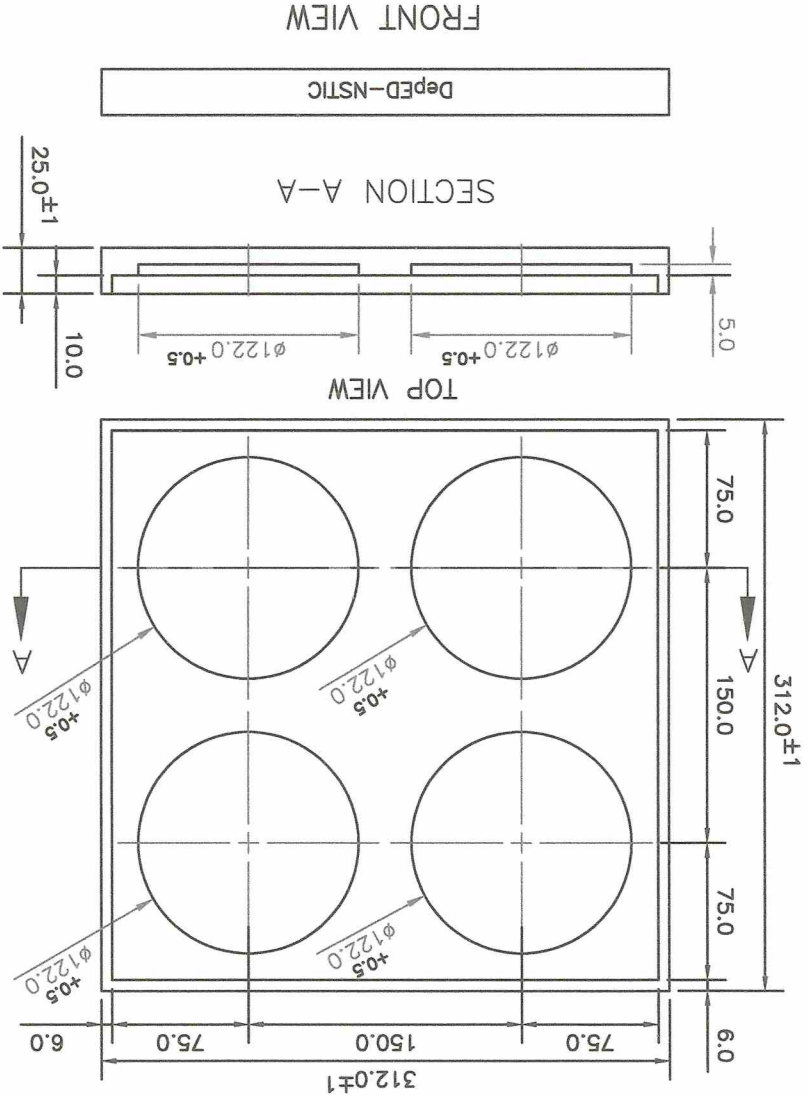
4

3

2

1

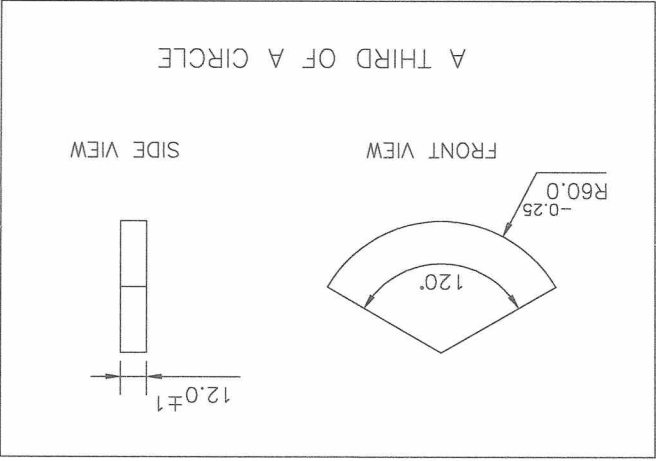
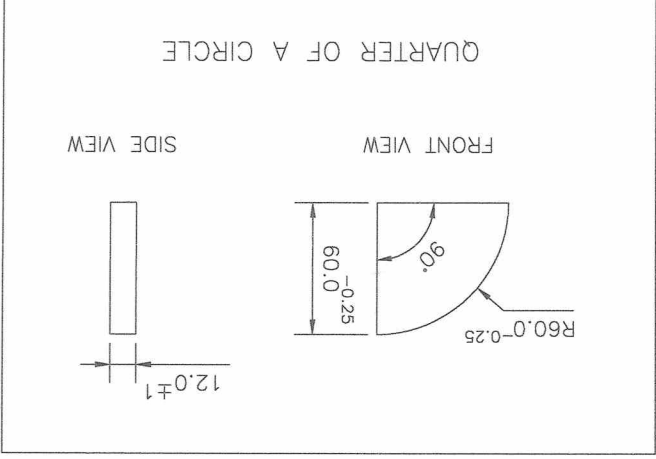
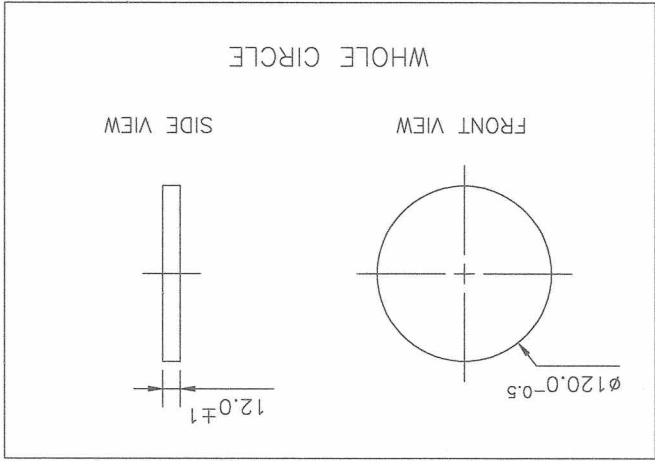
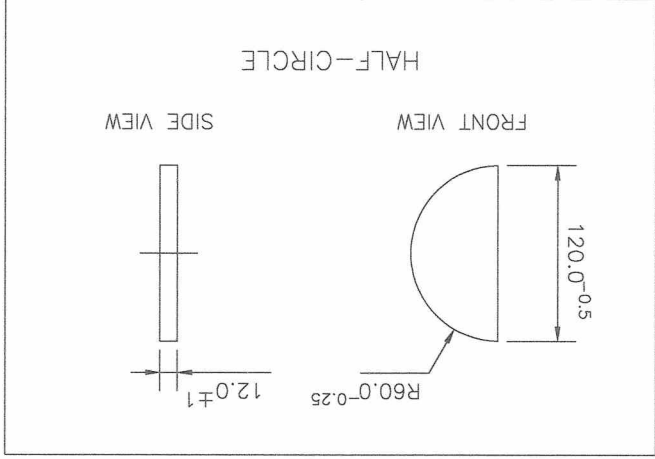
		Approved by <i>R. C. La Rosa</i>	Recommended by <i>M.S. Maquillas</i>	Drawn by <i>B C Lisondra</i>	Designed by <i>A. O. Checked by</i>	Material KILN-DRIED HARD SOLID WOOD	File name 214
DepED-BLR		DATE	REVISION	BY	Date August 26, 2014	Scale (NTS)	Sheet MAIN BOARD
FRACTION SET CIRCLE FRACTION COMPONENTS		Conceptualized by	NOTE: DO NOT USE PLYWOOD OR PLYBOARD.		TOLERANCES FOR LENGTH GAUGING		
GOVERNMENT PROPERTY		TOLERANCES FOR RADIUS & CHAMFERS		TOLERANCES FOR LENGTH GAUGING			
(A) DIMENSIONS ARE IN MILLIMETERS EXCEPT OTHERWISE SPECIFIED.		(B) SURFACES MUST BE POLISHED.		(C) APPLY OIL-BASED WOOD PRIMER AND WOOD PUTTY TO HAVE AN			
(D) FINISH WITH 2 COATS OF OIL-BASED GLOSSY PAINT. (PLS. REFER TO THE		(E) REMOVE SHARP EDGES.		TABULATION OF PAINT COLORS IN SEPARATE PAGE.)			
(E) REMOVE SHARP EDGES.		(F) FINISH WITH 2 COATS OF OIL-BASED GLOSSY PAINT. (PLS. REFER TO THE		TABULATION OF PAINT COLORS IN SEPARATE PAGE.)			



- (A) DIMENSIONS ARE IN MILLIMETERS EXCEPT OTHERWISE SPECIFIED.
- (B) SURFACES MUST BE POLISHED.
- (C) APPLY OIL-BASED WOOD PRIMER AND WOOD PUTTY TO HAVE AN AUTO BODY-LIKE SURFACE FINISH.
- (D) FINISH WITH 2 COATS OF OIL-BASED GLOSSY PAINT. (PLS. REFER TO THE TABULATION OF PAINT COLORS IN SEPARATE PAGE.)
- (E) REMOVE SHARP EDGES.

Grade of Accuracy		TOLERANCES FOR LENGTH GAUGING		TOLERANCES FOR RADIUS & CHAMFERS		Grade of Accuracy	
Smooth	Medium	± 0.20	± 0.50	± 0.10	± 0.20	± 0.10	± 0.20
0.5 to 3	Normal	Over 3 to 6	Over 6 to 30	Over 3 to 6	Over 6 to 30	Over 3 to 6	Over 6 to 30
3 to 6	Normal	Over 6 to 30	Over 30 to 120	Over 6 to 30	Over 30 to 120	Over 6 to 30	Over 30 to 120
6 to 30	Normal	Over 30 to 120	Over 120 to 400	Over 30 to 120	Over 120 to 400	Over 30 to 120	Over 120 to 400
30 to 120	Normal	Over 120 to 400		Over 30 to 120		Over 30 to 120	
120 to 400	Normal			Over 30 to 120		Over 30 to 120	
Over 400	Normal			Over 30 to 120		Over 30 to 120	

- (A) DIMENSIONS ARE IN MILLIMETERS EXCEPT OTHERWISE SPECIFIED.
- (B) SURFACES MUST BE POLISHED.
- (C) APPLY OIL-BASED WOOD PRIMER AND WOOD PUTTY TO HAVE AN AUTO BODY-LIKE SURFACE FINISH.
- (D) FINISH WITH 2 COATS OF OIL-BASED GLOSSY PAINT. (PLS. REFER TO THE TABULATION OF PAINT COLORS IN SEPARATE PAGE.)
- (E) REMOVE SHARP EDGES.



Date August 26, 2014		Scale (NTS)		Conceptualized by	
Drawn by B C Lisondra		Designed by A.C. Checked by		Material KILN-DRIED HARD SOLID WOOD	
Item Name CIRCLE FRACTION COMPONENTS		Sheet 3 / 4		File name	
FRACTION SET		CIRCLE FRACTION COMPONENTS		KILN-DRIED HARD SOLID WOOD	
Approved by R. C. La Rosa		Recommended by M.S. Maquilas		DepEd-BLR	

NOTE: DO NOT USE PLYWOOD OR PLYBOARD
GOVERNMENT PROPERTY

6

4

3

2

1

6

5

4

3

2

1

D

C

B

A

D

C

B

A

TOLERANCES FOR LENGTH GAUGING Grade of Accuracy: Normal (0.5 to 3), Medium (± 0.10), Smooth (± 0.20) Over 3 to 6, Over 6 to 30, Over 30 to 120, Over 120 to 400		TOLERANCES FOR RADIUS & CHAMFERS Grade of Accuracy: Normal (0.5 to 3), Medium (± 0.10), Smooth (± 0.20) Over 30 to 120, Over 120 to 400		SYM	REVISION	DATE	BY
Approved by  R. C. La Rosa		Recommended by  M.S. Maquillas					
Drawn by  B.C. Lisonora		Designed by a.c. Checked by					
Date August 26, 2014 Scale (NTS)		Conceptualized by					
Item Name FRACTION SET CIRCLE FRACTION COMPONENTS		Material SCHEDULE OF PAINT COLORS					
Sheet 4 / 4		File name					

GOVERNMENT PROPERTY

ITEM NO.	CIRCLE FRACTION COMPONENTS	QTY/SET	PAINT COLOR
1	MAIN BOARD	1 PC.	GREEN
2	WHOLE CIRCLE	1 PC.	YELLOW
3	HALF-CIRCLE	1 PC.	RED
		1 PC.	BLUE
4	A THIRD OF A CIRCLE	1 PC.	RED
		1 PC.	BLUE
		1 PC.	WHITE
5	QUARTER OF A CIRCLE	1 PC.	RED
		1 PC.	BLUE
		1 PC.	WHITE
		1 PC.	YELLOW

DepED-BLR



6

4

3

2

1

6


5

4

3

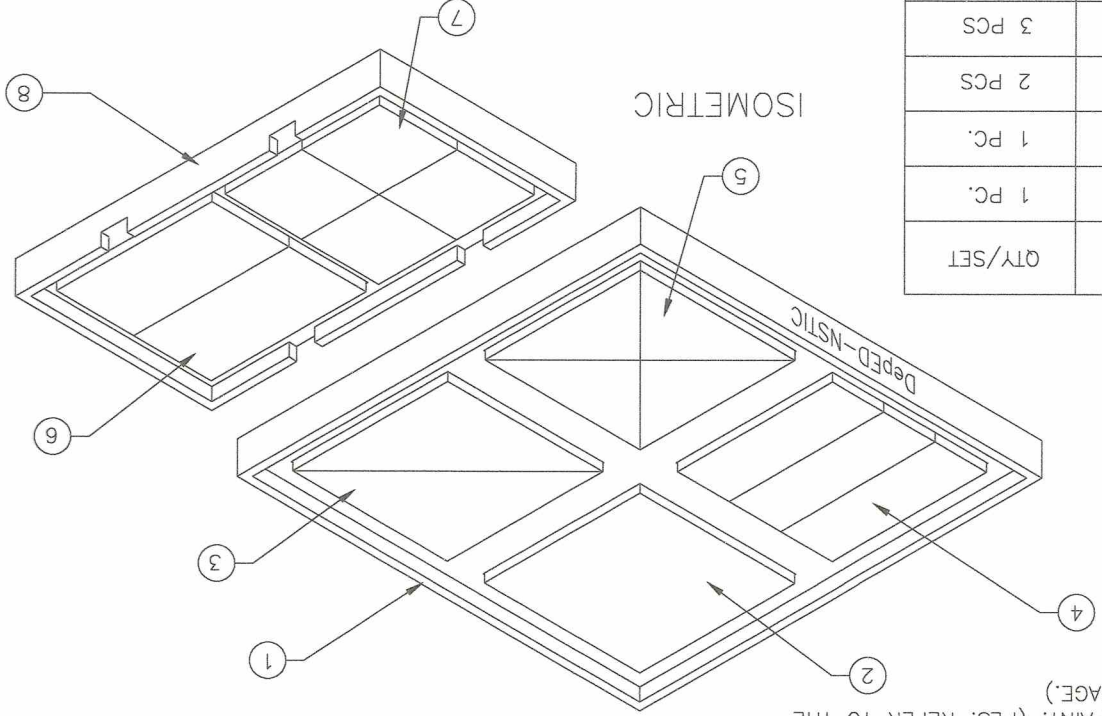
2

1

		Approved by <i>R. C. La Rosa</i>
Recommended by <i>M.S. Maguillas</i>		BY
Drawn by <i>B C Lisonora</i>		DATE
Designed by <i>a.s. Checked by</i>		REVISION
Material KILN-DRIED HARD SOLID WOOD		SYM
Item Name FRACTION SET SQUARE FRACTION COMPONENTS		TOLERANCES FOR LENGTH GAUGING
Sheet 1 / 6		TOLERANCES FOR RADIUS & CHAMFERS
Conceptualized by 		Grade of Accuracy Normal 0.5 to 3 Over 3 to 6 Over 6 to 30 Over 30 to 120 Over 120 to 400
Date August 28, 2014 Scale (NTS)		Medium 0.10 ± 0.10 ± 0.20 ± 0.30 ± 0.50

GOVERNMENT PROPERTY

ITEM NO.	SQUARE FRACTION COMPONENTS	QTY/SET
1	MAIN BOARD	1 PC.
2	WHOLE SQUARE	1 PC.
3	HALF OF A SQUARE (TRIANGULAR)	2 PCS
4	A THIRD OF A SQUARE (QUADRILATERAL)	3 PCS
5	QUARTER OF A SQUARE (TRIANGULAR)	4 PCS
6	HALF-SQUARE (QUADRILATERAL)	2 PCS
7	QUARTER OF A SQUARE (QUADRILATERAL)	4 PCS
8	EXTENSION BOARD	1 PC.



- NOTE: DO NOT USE PLYWOOD OR PLYBOARD.
- (A) SURFACES MUST BE POLISHED.
 - (B) APPLY OIL-BASED WOOD PRIMER AND WOOD PUTTY TO HAVE AN AUTO BODY-LIKE SURFACE FINISH.
 - (C) FINISH WITH 2 COATS OF OIL-BASED GLOSSY PAINT. (PLS. REFER TO THE TABULATION OF PAINT COLORS IN SEPARATE PAGE).
 - (D) REMOVE SHARP EDGES.

A B C

6

5

4

3

2

1

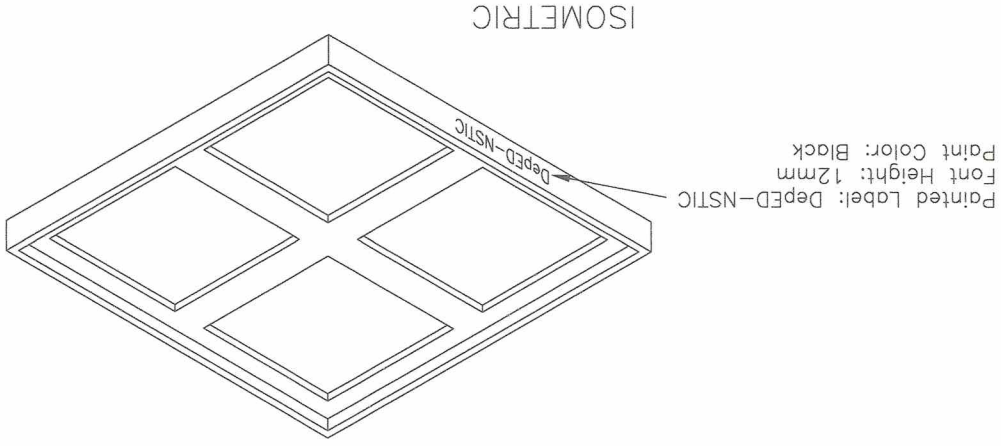
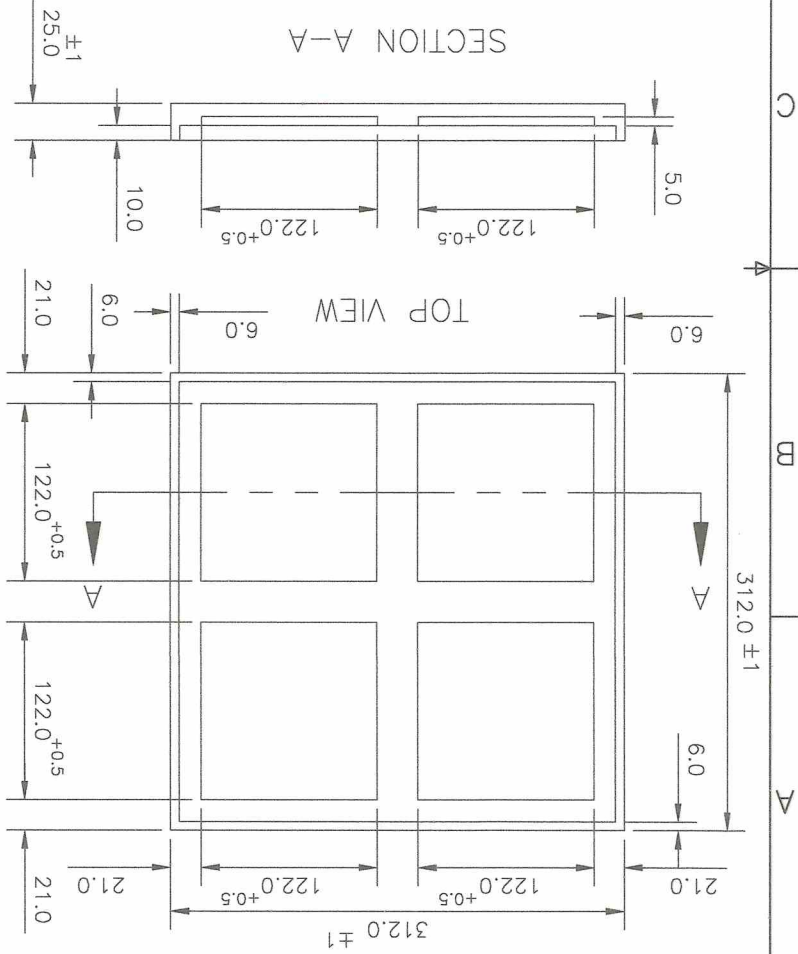
6

4

3

2

1



- (A) DIMENSIONS ARE IN MILLIMETERS EXCEPT OTHERWISE SPECIFIED.
- (B) SURFACES MUST BE POLISHED.
- (C) APPLY OIL-BASED WOOD PRIMER AND WOOD PUTTY TO HAVE AN AUTO BODY-LIKE SURFACE FINISH.
- (D) FINISH WITH 2 COATS OF OIL-BASED GLOSSY PAINT. (PLS. REFER TO THE TABULATION OF PAINT COLORS IN SEPARATE PAGE.)
- (E) REMOVE SHARP EDGES.

NOTE: DO NOT USE PLYWOOD OR PLYBOARD.

GOVERNMENT PROPERTY

FRACTION SET
SQUARE FRACTION COMPONENTS

Date	August 28, 2014
Scale	(NTS)
Conceptualized by	
Drawn by	B C Lisonde
Designed by	a.c. checked by
Material	KILN-DRIED HARD SOLID WOOD
Item Name	MAIN BOARD
Sheet	2/6

Approved by	R. C. La Rosa
Recommended by	M.S. Maquilas



DepED-BLR

Grade of Accuracy	TOLERANCES FOR LENGTH GAUGING		TOLERANCES FOR RADIUS & CHAMFERS				SYM	REVISION	DATE	BY
	Normal Size	Medium	Over 3 to 6	Over 6 to 30	Over 30 to 120	Over 120 to 400				
Smooth	± 0.20	± 0.10	± 0.10	± 0.20	± 0.30	± 0.50				
Accuracy	0.5 to 3	0.5 to 3	3 to 6	6 to 30	30 to 120	120 to 400				
Grade of Accuracy	Over 3 to 6	Over 6 to 30	Over 30 to 120	Over 120 to 400	Over 30 to 120	Over 120 to 400				
Medium	± 0.50	± 0.30	± 0.20	± 0.30	± 0.50					
Normal Size	± 0.20	± 0.10	± 0.10	± 0.20	± 0.30	± 0.50				
Smooth	± 1.00	± 0.50	± 0.50	± 1.00	± 2.00					

6

4

3

2

1

6

5

4

3

2

1

D

C

B

A

D

C

B

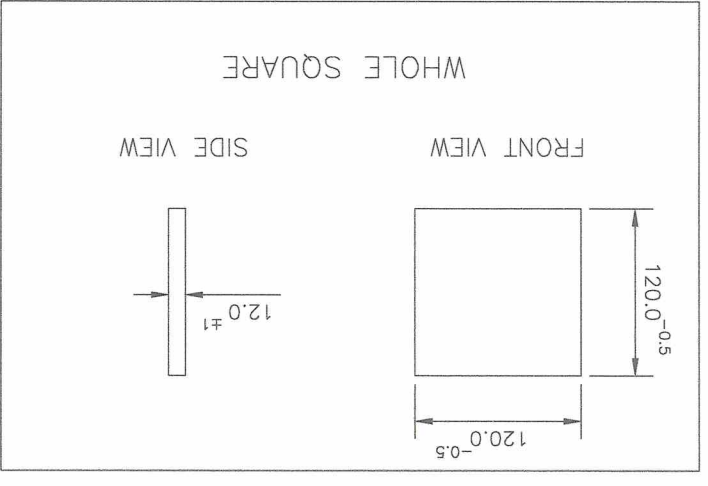
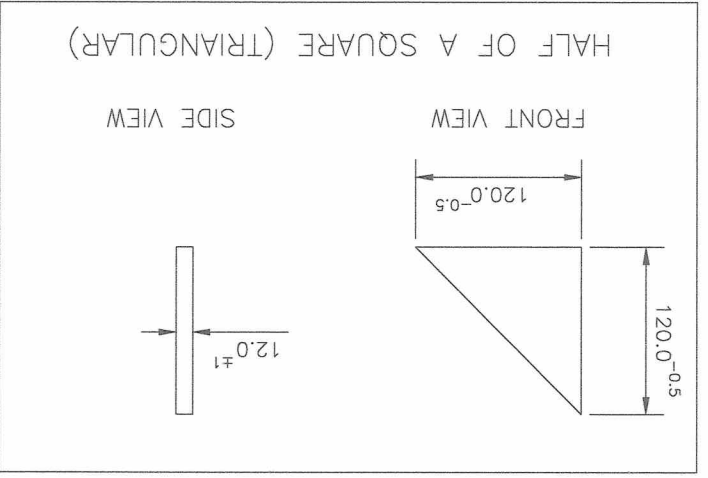
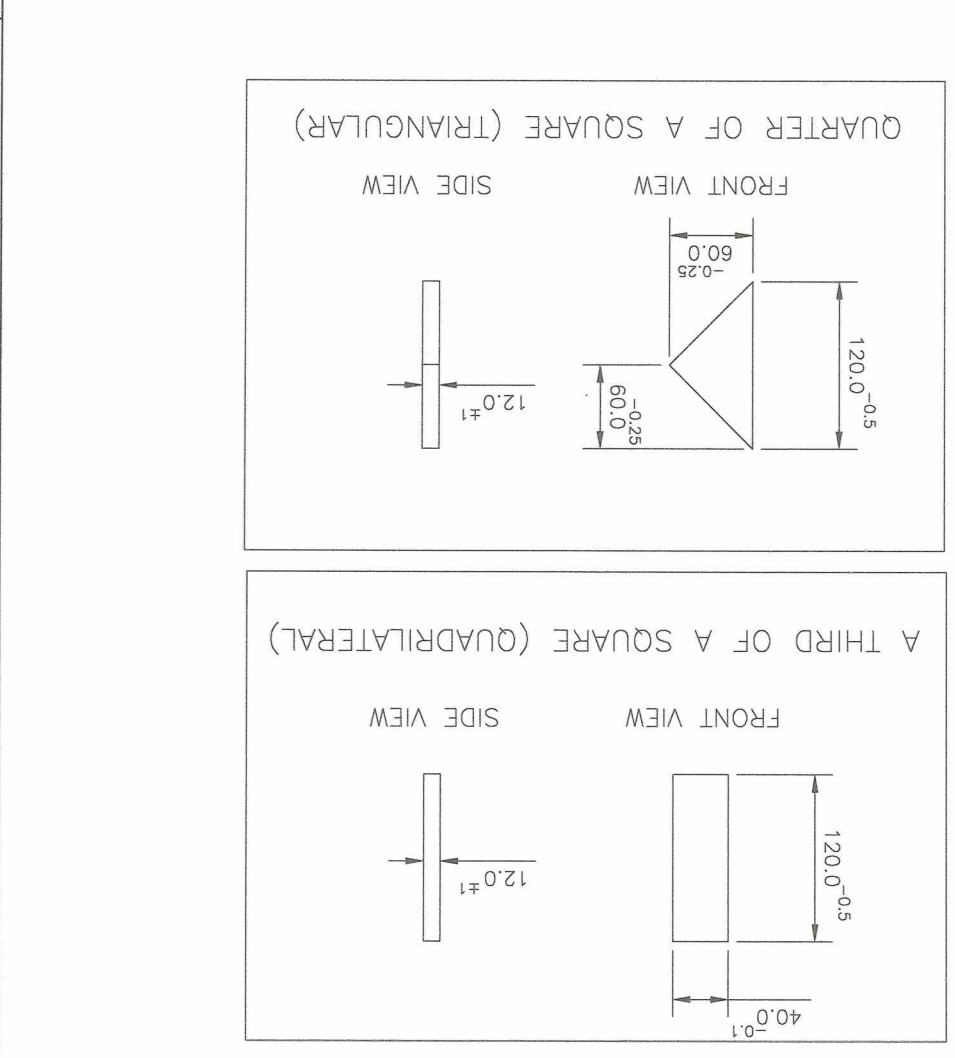
A

TOLERANCES FOR LENGTH GAUGING		TOLERANCES FOR RADIUS & CHAMFERS		TOLERANCES FOR RADIUS & CHAMFERS		TOLERANCES FOR RADIUS & CHAMFERS	
Accuracy	Normal	0.5 to 3	0.5 to 3	0.5 to 3	0.5 to 3	0.5 to 3	0.5 to 3
	Medium	± 0.20	± 0.20	± 0.20	± 0.20	± 0.20	± 0.20
Grade of Accuracy	Normal	Over 3 to 6	Over 3 to 6	Over 3 to 6	Over 3 to 6	Over 3 to 6	Over 3 to 6
	Medium	Over 6 to 30	Over 6 to 30	Over 6 to 30	Over 6 to 30	Over 6 to 30	Over 6 to 30
Accuracy	Normal	Over 120 to 400	Over 30 to 120	Over 30 to 120	Over 30 to 120	Over 30 to 120	Over 30 to 120
	Medium	± 0.50	± 0.30	± 0.30	± 0.30	± 0.30	± 0.30
Grade of Accuracy	Normal	Over 120 to 400	Over 30 to 120	Over 30 to 120	Over 30 to 120	Over 30 to 120	Over 30 to 120
	Medium	± 2.00	± 1.00	± 1.00	± 1.00	± 1.00	± 1.00

- (A) DIMENSIONS ARE IN MILLIMETERS EXCEPT OTHERWISE SPECIFIED.
- (B) SURFACES MUST BE POLISHED.
- (C) APPLY OIL-BASED WOOD PRIMER AND WOOD PUTTY TO HAVE AN AUTO BODY-LIKE SURFACE FINISH.
- (D) FINISH WITH 2 COATS OF OIL-BASED GLOSSY PAINT. (PLS. REFER TO THE TABULATION OF PAINT COLORS IN SEPARATE PAGE.)
- (E) REMOVE SHARP EDGES.

NOTE: DO NOT USE PLYWOOD OR PLYBOARD.
 GOVERNMENT PROPERTY

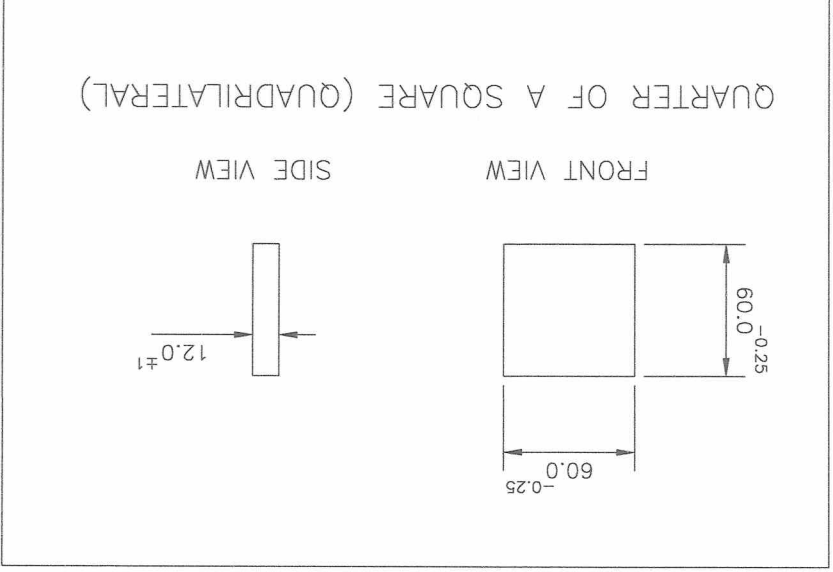
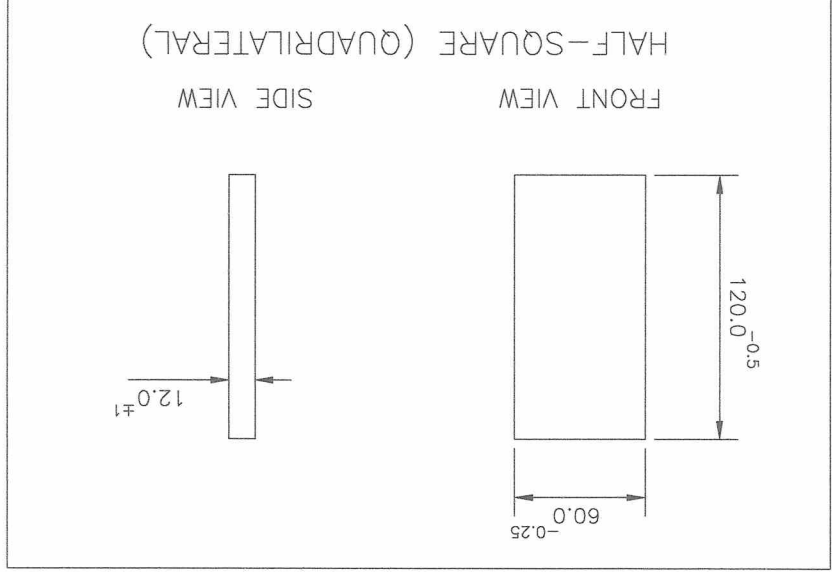
Date	August 28, 2014	Scale	(NTS)
Conceptualized by			
Drawn by	B C Lisondra		
Designed by	G.C. Checked by		
Material	KILN-DRIED HARD SOLID WOOD		
Item Name	SQUARE FRACTION COMPONENTS		
Sheet	3 / 6		
File name			
Recommended by	M.S. Maquilias		
Approved by	R. C. La Rosa		




TOLERANCES FOR LENGTH GAUGING Accuracy / Normal Size: 0.5 to 3 Medium: ± 0.10 Smooth: ± 0.20		TOLERANCES FOR RADIUS & CHAMFERS Accuracy / Normal Size: 3 to 6 Medium: ± 0.10 Smooth: ± 0.50		Accuracy / Normal Size: 6 to 30 Medium: ± 0.20 Smooth: ± 1.00		Accuracy / Normal Size: 30 to 120 Medium: ± 0.30 Smooth: ± 2.00		Accuracy / Normal Size: 120 to 400 Medium: ± 0.50 Smooth: ± 2.00	
DATE	BY	REVISION	DATE	BY	REVISION	DATE	BY	REVISION	DATE
Approved by R. C. La Rosa		Recommended by M.S. Maquilas		Drawn by B C Lisonfra		Designed by G. S. Checked by		Material KILN-DRIED HARD SOLID WOOD	
Date August 28, 2014		Scale (NTS)		Conceptualized by		Item Name SQUARE FRACTION COMPONENTS		Sheet 4 / 6	

NOTE: DO NOT USE PLYWOOD OR PLYBOARD. GOVERNMENT PROPERTY

- (A) DIMENSIONS ARE IN MILLIMETERS EXCEPT OTHERWISE SPECIFIED.
- (B) SURFACES MUST BE POLISHED.
- (C) APPLY OIL-BASED WOOD PRIMER AND WOOD PUTTY TO HAVE AN AUTO BODY-LIKE SURFACE FINISH.
- (D) FINISH WITH 2 COATS OF OIL-BASED GLOSSY PAINT. (PLS. REFER TO THE TABULATION OF PAINT COLORS IN SEPARATE PAGE.)
- (E) REMOVE SHARP EDGES.





KAGANISAN NG EDUKASYON
DepEd - BLR

Approved by
R. C. La Rosa

Recommended by
M.S. Maquilas

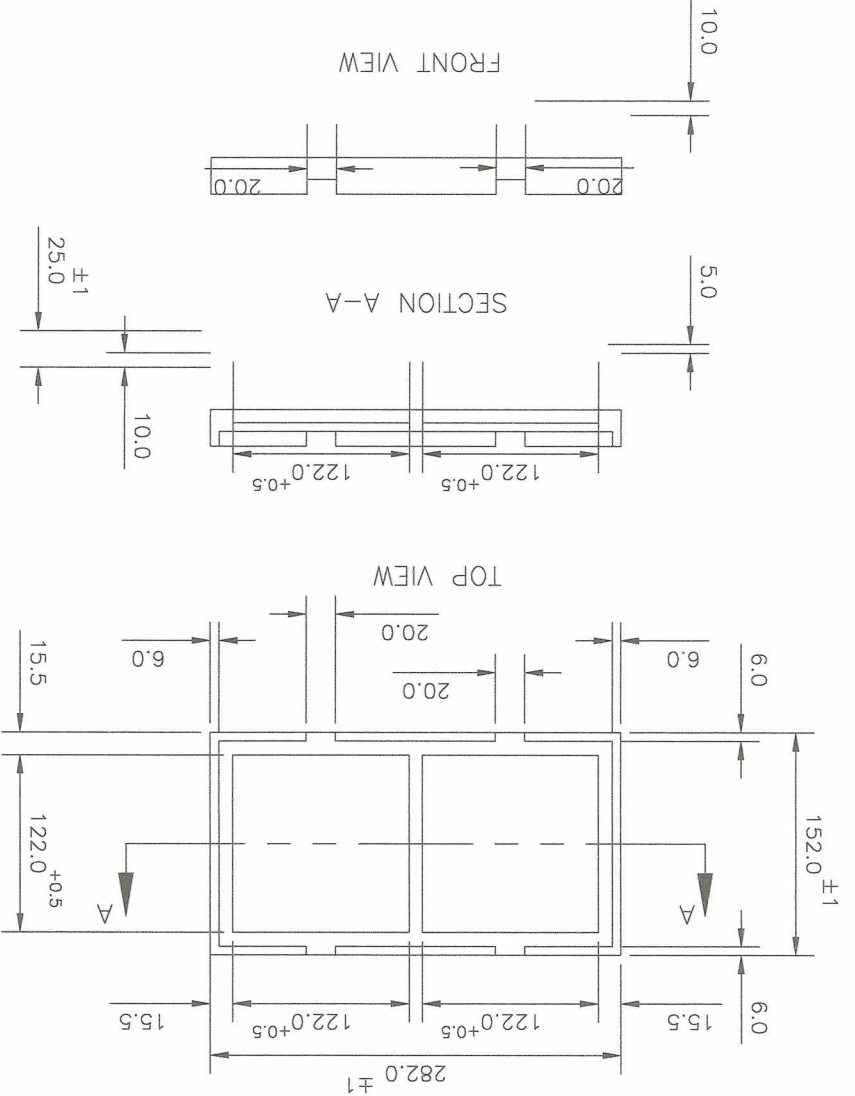
Designed by
B C Lisonfra

Material
KILN-DRIED HARD SOLID WOOD

Item Name
SQUARE FRACTION COMPONENTS

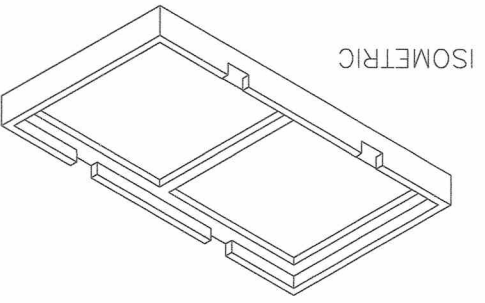
Sheet
4 / 6

A B C D 1 2 3 4 5 6



NOTE: DO NOT USE PLYWOOD OR PLYBOARD.
 GOVERNMENT PROPERTY

- (A) DIMENSIONS ARE IN MILLIMETERS EXCEPT OTHERWISE SPECIFIED.
- (B) SURFACES MUST BE POLISHED.
- (C) APPLY OIL-BASED WOOD PRIMER AND WOOD PUTTY TO HAVE AN AUTO BODY-LIKE SURFACE FINISH.
- (D) FINISH WITH 2 COATS OF OIL-BASED GLOSSY PAINT. (PLS. REFER TO THE TABULATION OF PAINT COLORS IN SEPARATE PAGE.)
- (E) REMOVE SHARP EDGES.



ISOMETRIC

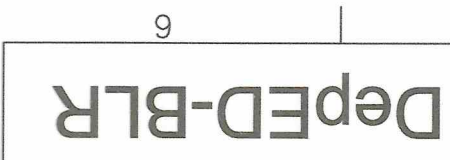
FRACTION SET
SQUARE FRACTION COMPONENTS

Item Name	EXTENSION BOARD
Material	KILN-DRIED HARD SOLID WOOD

Drawn by	B C Lisondra	Checked by	A.C.
Designed by		Recommended by	M.S. Maguilas
Approved by	R. C. La Rosa		

Date	AUGUST 28, 2014	Scale	(NTS)
Conceptualized by			

Grade of Accuracy	Smooth Medium	± 0.20	± 0.50	± 1.00	± 2.00
Grade of Accuracy	Normal	0.5 to 3	3 to 6	6 to 30	30 to 120
TOLERANCES FOR RADIUS & CHAMFERS					
Grade of Accuracy	Medium	± 0.10	± 0.10	± 0.20	± 0.30
Grade of Accuracy	Normal	0.5 to 3	3 to 6	6 to 30	30 to 120
TOLERANCES FOR LENGTH GAUGING					



A B C D 6 5 4 3 2 1

A B C D 6 5 4 3 2 1

Smooth	± 0.20	± 0.50	± 1.00	± 2.00
Grade of Accuracy	0.5 to 3	3 to 6	6 to 30	30 to 120
Normal Size	Over	Over	Over	Over
TOLERANCES FOR RADIUS & CHAMFERS				
Medium	± 0.10	± 0.10	± 0.20	± 0.30
Grade of Accuracy	0.5 to 3	3 to 6	6 to 30	30 to 120
Normal Size	Over	Over	Over	Over
TOLERANCES FOR LENGTH GAUGING				

BY	DATE	REVISION

Date AUGUST 28, 2014
Scale (NTS)
Conceptualized by

Drawn by B C Lisondra
Designed by O.C. checked by
Item Name
SCHEDULE OF PAINT COLORS
Sheet 6 / 6

FRACTION SET
SQUARE FRACTION COMPONENTS

GOVERNMENT PROPERTY

ITEM NO.	SQUARE FRACTION COMPONENTS	QTY/SET	PAINT COLOR
1	MAIN BOARD	1 PC.	GREEN
2	WHOLE SQUARE	1 PC.	YELLOW
3	HALF OF A SQUARE (TRIANGULAR)	2 PCS	1 PC. RED 1 PC. BLUE
4	A THIRD OF A SQUARE (QUADRILATERAL)	3 PCS	1 PC. RED 1 PC. BLUE 1 PC. WHITE
5	QUARTER OF A SQUARE (TRIANGULAR)	4 PCS	1 PC. RED 1 PC. BLUE 1 PC. WHITE 1 PC. YELLOW
6	HALF-SQUARE (QUADRILATERAL)	2 PCS	1 PC. RED 1 PC. BLUE
7	QUARTER OF A SQUARE (QUADRILATERAL)	4 PCS	1 PC. RED 1 PC. BLUE 1 PC. WHITE 1 PC. YELLOW
8	EXTENSION BOARD	1 PC.	GREEN

Approved by R. C. La Rosa
Recommended by M.S. Maguillas
DepEd-BLR
KAGANISAN NG EDUKASYON

