

1

2

3

4

5

6

A

B

C

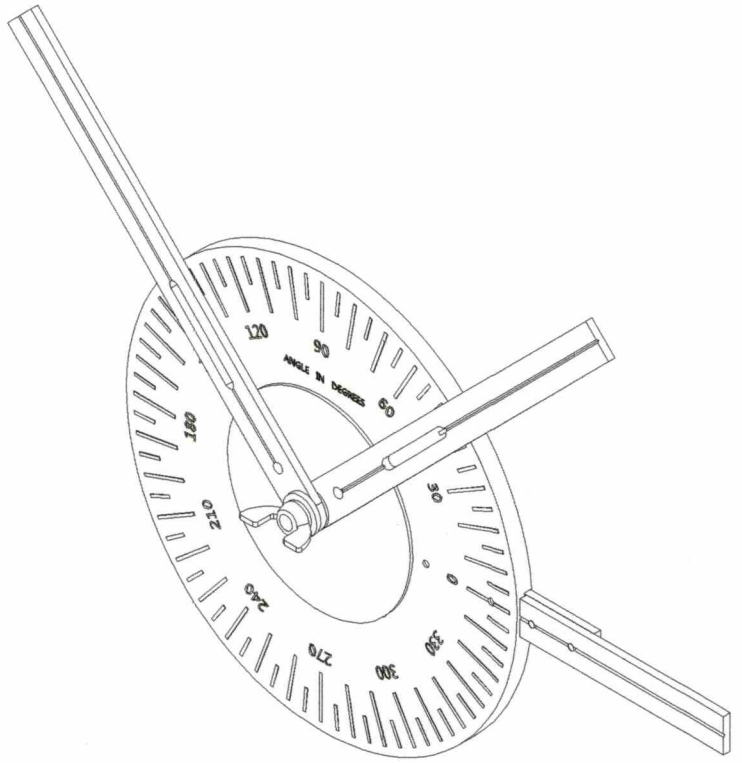
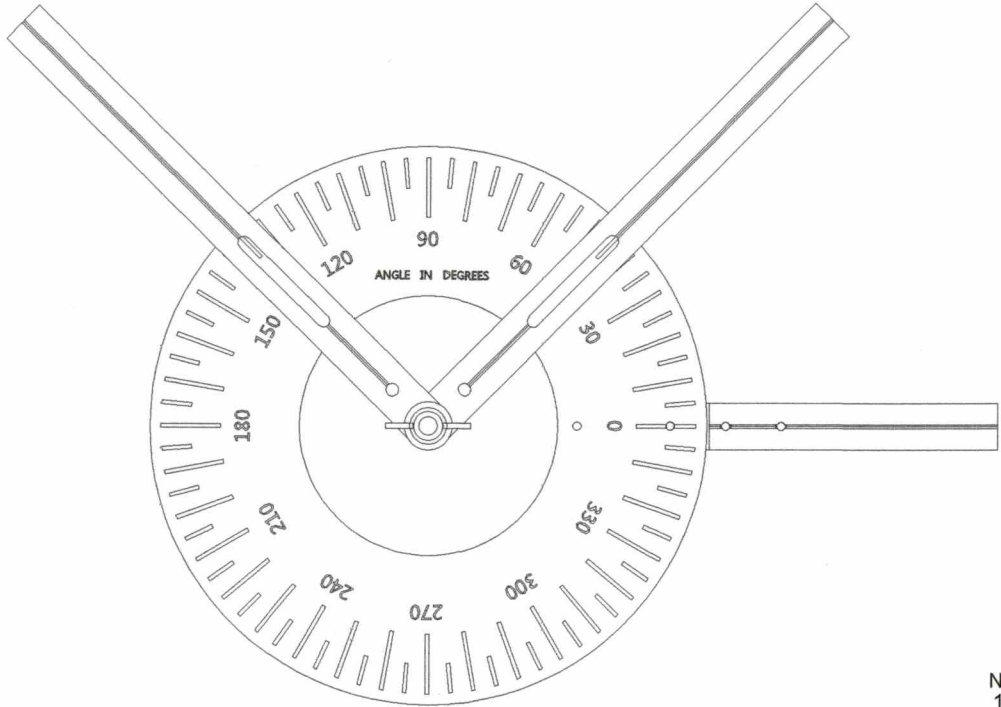
D

A

B

C

D



NOTE :

1. All dimensions are in millimeter unless otherwise specified.

GOVERNMENT PROPERTY

TOLERANCES FOR LENGTH GAUGING						
Grade of Accuracy	Nominal Size	Over 0.5 to 3	Over 3 to 6	Over 6 to 30	Over 30 to 120	Over 120 to 400
Medium		± 0.10	± 0.10	± 0.20	± 0.30	± 0.50

TOLERANCES FOR RADIUS & CHAMFERS					
Grade of Accuracy	Nominal Size	Over 0.5 to 3	Over 3 to 6	Over 6 to 30	Over 30 to 120
Smooth		± 0.20	± 0.50	± 1.00	± 2.00
Medium					

Date	JUNE 14, 2015	Scale	(NTS)	ANGLE DEMONSTRATOR	
Conceptualized by					
Drawn by	B C Lisondra	Item Name	ASSEMBLY	Sheet	01
Designed by		Q.C. Checked by		Material	ACRYLIC PLASTIC AND ALUMINUM FLAT BAR
Recommended by	M. S. MAQUILAS	Approved by	R. C. La Rosa	File name	angle demo



DepED-BLR

1

2

3

4

6

SYM REVISION DATE BY

1 2 3 4 5 6

A

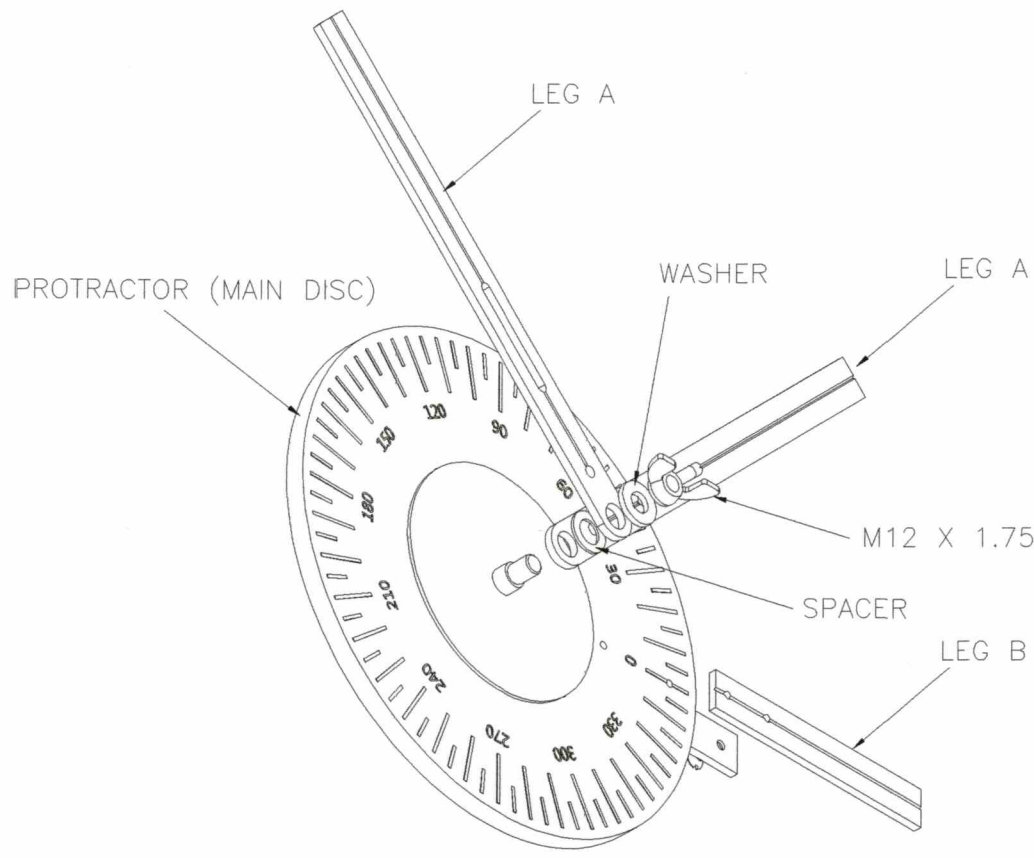
B

C

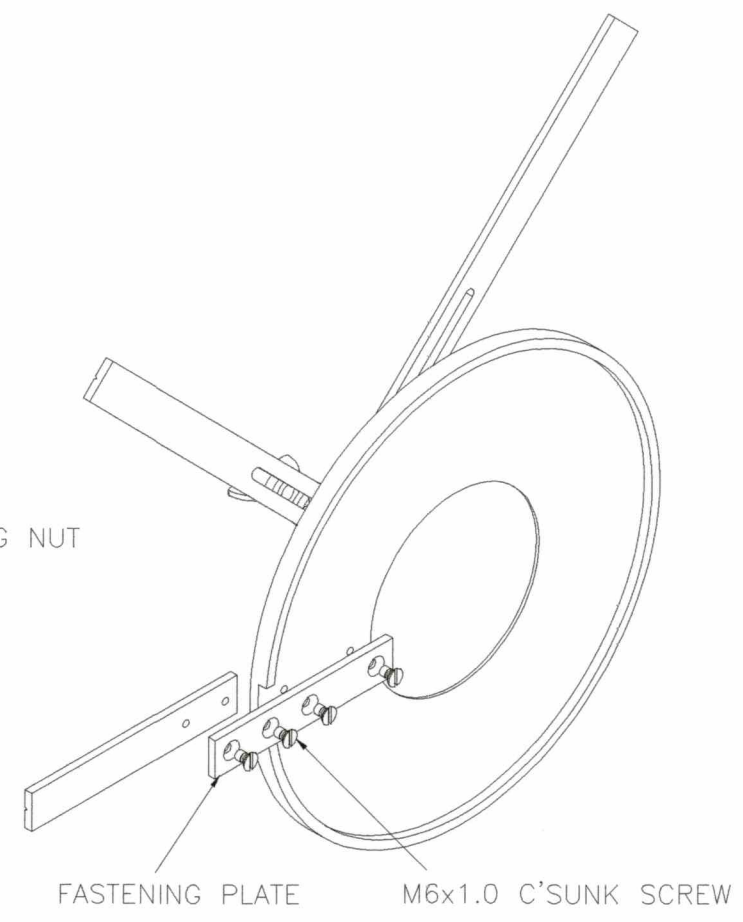
A

B

C




ISOMETRIC
EXPLODED ASSEMBLY (FRONT)



ISOMETRIC
EXPLODED ASSEMBLY (BACK)

NOTE :
1. All dimensions are in millimeter unless otherwise specified.

GOVERNMENT PROPERTY

Date	JUNE 14, 2015	Scale	(NTS)	ANGLE DEMONSTRATOR			
Conceptualized by						Item Name	EXPLODED ASSEMBLY
Drawn by	B C Lisondra			Material	ACRYLIC PLASTIC	File name	angle demo
Designed by		Q.C. Checked by					
Recommended by	M. S. MAQUILAS			 DepED-BlR			
Approved by	R. C. La Rosa						

TOLERANCES FOR LENGTH GAUGING						
Grade of Accuracy	Nominal Size	0.5 to 3	Over 3 to 6	Over 6 to 30	Over 30 to 120	Over 120 to 400
Medium		± 0.10	± 0.10	± 0.20	± 0.30	± 0.50

TOLERANCES FOR RADIUS & CHAMFERS					
Grade of Accuracy	Nominal Size	0.5 to 3	Over 3 to 6	Over 6 to 30	Over 30 to 120
Smooth		± 0.20	± 0.50	± 1.00	± 2.00
Medium					

1 2 3 4 5 6

1

2

3

4

5

6

A

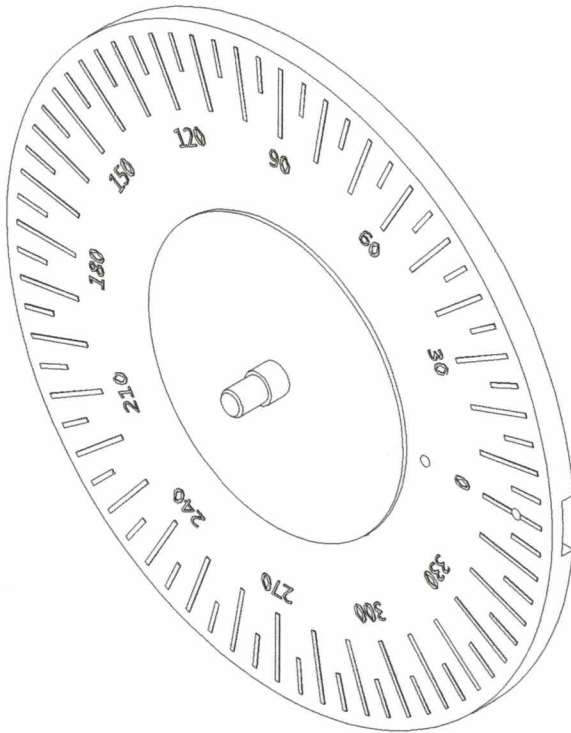
B

C

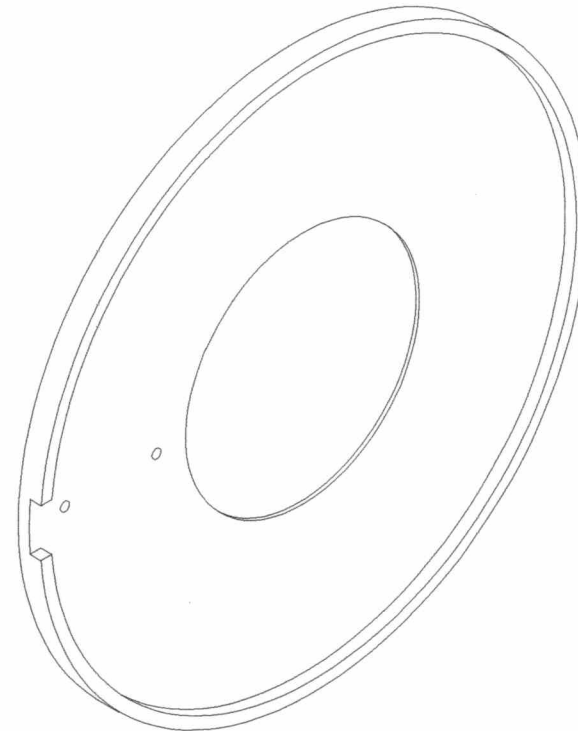
A

B

C



ISOMETRIC



ISOMETRIC

NOTE :

1. All dimensions are in millimeter unless otherwise specified.

GOVERNMENT PROPERTY

Date	JUNE 14, 2015	Scale	(NTS)	ANGLE DEMONSTRATOR			
Conceptualized by						Item Name	PROTRACTOR (MAIN DISC)
Drawn by	B C Lison (dra)			Material	ABS PLASTIC	File name	angle demo
Designed by	Q.C. Checked by			Recommended by	M. S. MAQUILAS <i>mm</i>		
				Approved by	R. C. La Resa <i>RCL</i>		

TOLERANCES FOR LENGTH GAUGING

Grade of Accuracy	Nominal Size	Over 0.5 to 3	Over 3 to 6	Over 6 to 30	Over 30 to 120	Over 120 to 400
Medium		± 0.10	± 0.10	± 0.20	± 0.30	± 0.50

TOLERANCES FOR RADIUS & CHAMFERS

Grade of Accuracy	Nominal Size	Over 0.5 to 3	Over 3 to 6	Over 6 to 30	Over 30 to 120
Smooth Medium		± 0.20	± 0.50	± 1.00	± 2.00

SYM	REVISION	DATE	BY

1

2

3

4

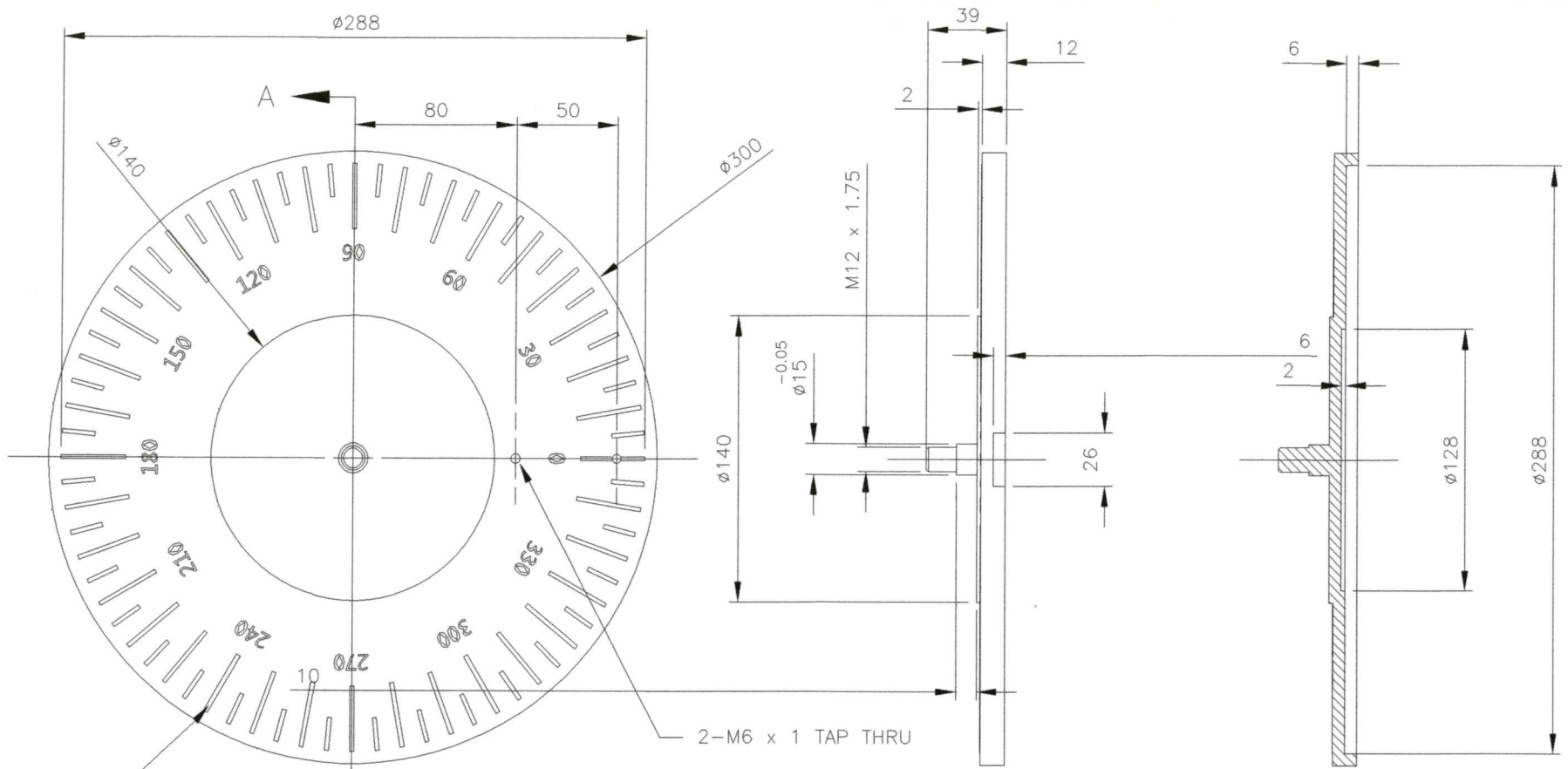
6



DepED-BLR

1 2 3 4 5 6

A
B
C
D



FRONT VIEW

RIGHT SIDE VIEW

SECTION A-A

PRINTED GRADUATION DETAILS:
 Long Graduation Line = 2mm wide x 32mm long
 Short Graduation Line = 2mm wide x 16mm long
 Font Type: Segoe UI
 Font Height: 10mm
 Line & Font Print Color: Black


NOTE :
 1. All dimensions are in millimeter unless otherwise specified.

GOVERNMENT PROPERTY

TOLERANCES FOR LENGTH GAUGING						
Grade of Accuracy	Nominal Size	Over 0.5 to 3	Over 3 to 6	Over 6 to 30	Over 30 to 120	Over 120 to 400
Medium		± 0.10	± 0.10	± 0.20	± 0.30	± 0.50

TOLERANCES FOR RADIUS & CHAMFERS					
Grade of Accuracy	Nominal Size	Over 0.5 to 3	Over 3 to 6	Over 6 to 30	Over 30 to 120
Smooth		± 0.20	± 0.50	± 1.00	± 2.00
Medium					

SYM	REVISION	DATE	BY

Date	JUNE 14, 2015	Scale	(NTS)	ANGLE DEMONSTRATOR			
Conceptualized by						Item Name	PROTRACTOR (MAIN DISC)
Drawn by	B C Lisondra	Q.C. Checked by		Material	ABS PLASTIC	File name	angle demo
Recommended by	M. S. MAQUILAS	Approved by	R. C. La Rosa	 DepED-BLR			

1 2 3 4 5 6

1

2

3

4

5

6

A

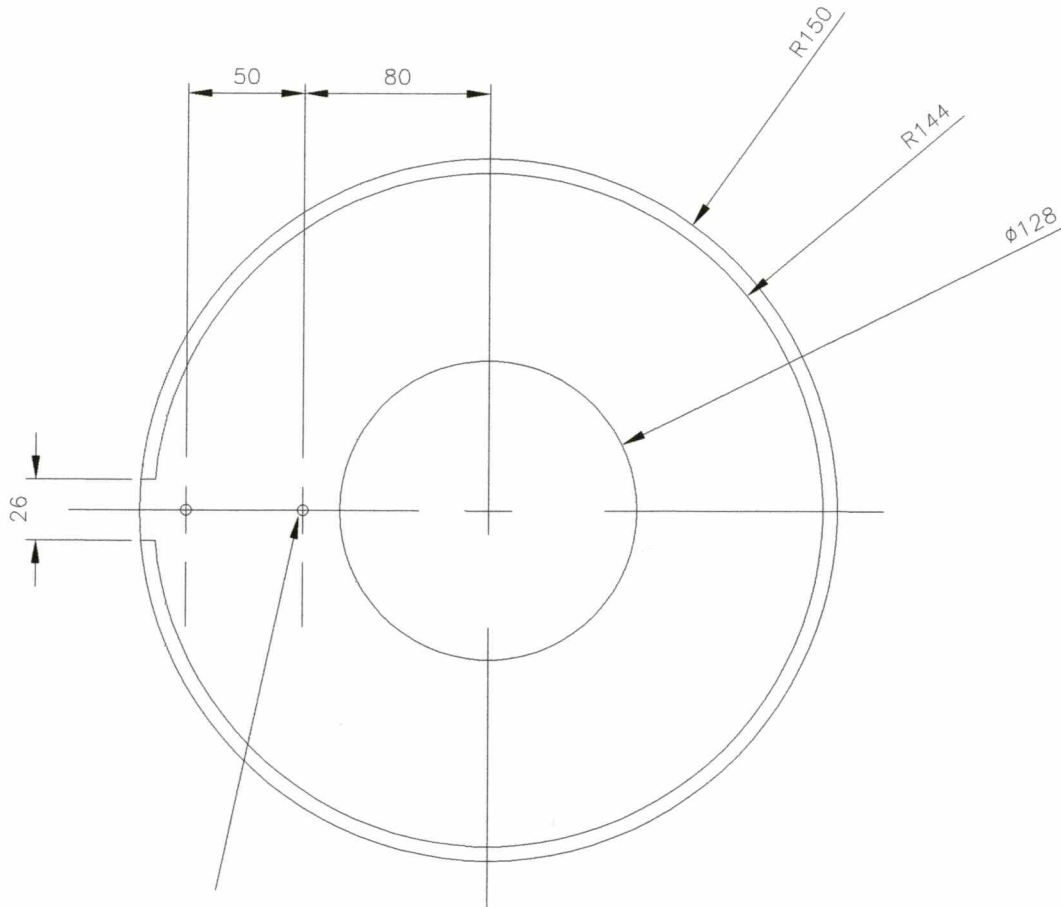
B

C

A

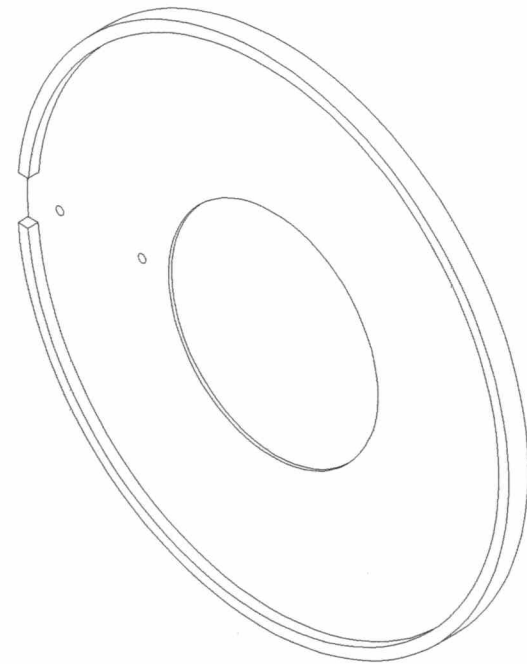
B

C



2-M6 x 1 TAP THRU

BACK VIEW




ISOMETRIC

NOTE :

1. All dimensions are in millimeter unless otherwise specified.

GOVERNMENT PROPERTY

Date	JUNE 14, 2015	Scale	(NTS)	ANGLE DEMONSTRATOR			
Conceptualized by						Item Name	PROTRACTOR (MAIN DISC)
Drawn by	B C Lisondra			Material	ABS PLASTIC	File name	angle demo
Designed by	Q.C. Checked by			Recommended by	M. S. MAQUILAS		
Approved by	R. C. La Rosa			 DepED-BLR			
SYMBOL	REVISION	DATE	BY				

TOLERANCES FOR LENGTH GAUGING						
Grade of Accuracy	Nominal Size	0.5 to 3	Over 3 to 6	Over 6 to 30	Over 30 to 120	Over 120 to 400
Medium		± 0.10	± 0.10	± 0.20	± 0.30	± 0.50

TOLERANCES FOR RADIUS & CHAMFERS						
Grade of Accuracy	Nominal Size	0.5 to 3	Over 3 to 6	Over 6 to 30	Over 30 to 120	Over 120 to 400
Smooth		± 0.20	± 0.50	± 1.00	± 2.00	
Medium						

1

2

3

4

6

1 2 3 4 5 6

A

A

B

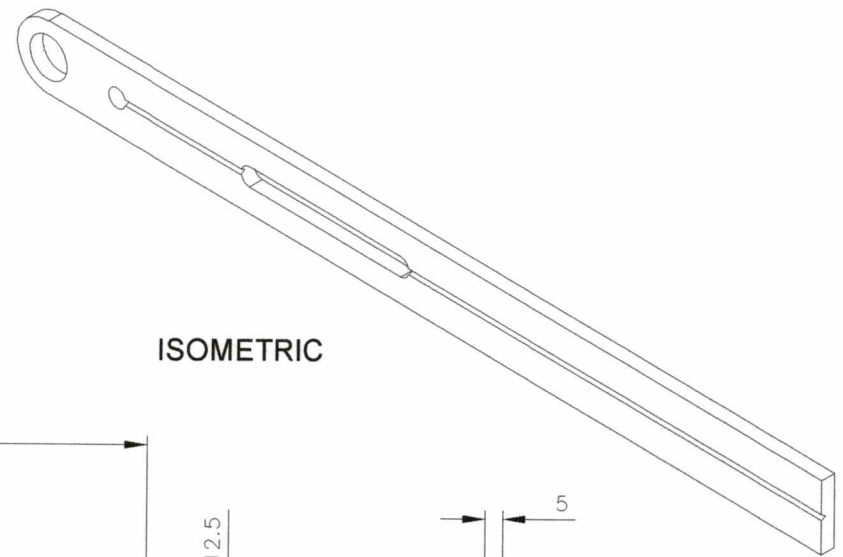
B

C

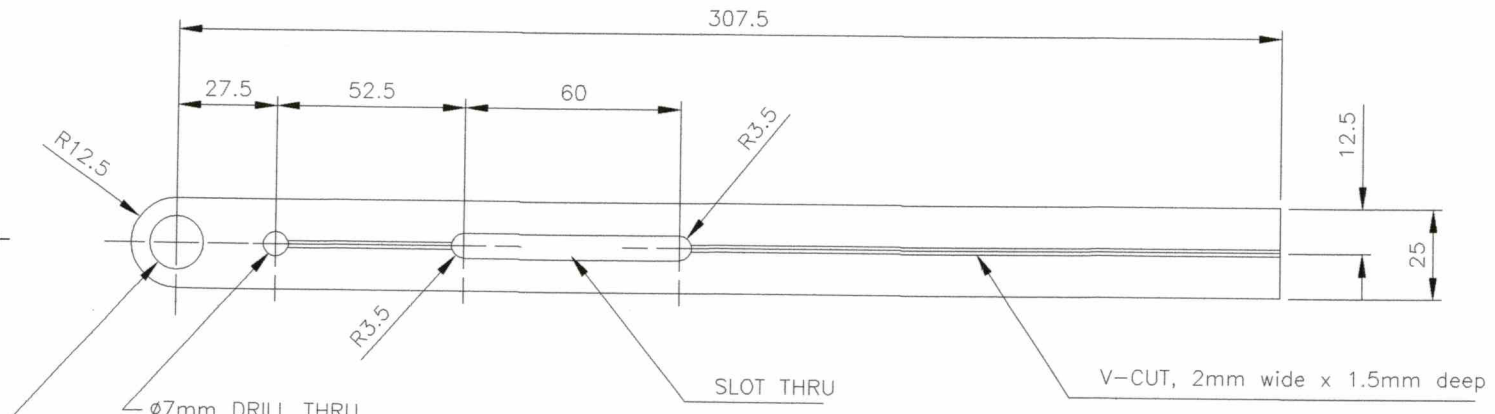
C

D

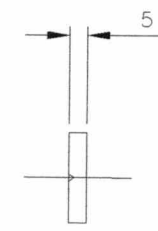
D



ISOMETRIC



FRONT VIEW



RIGHT SIDE VIEW

NOTE :
1. All dimensions are in millimeter unless otherwise specified.

GOVERNMENT PROPERTY

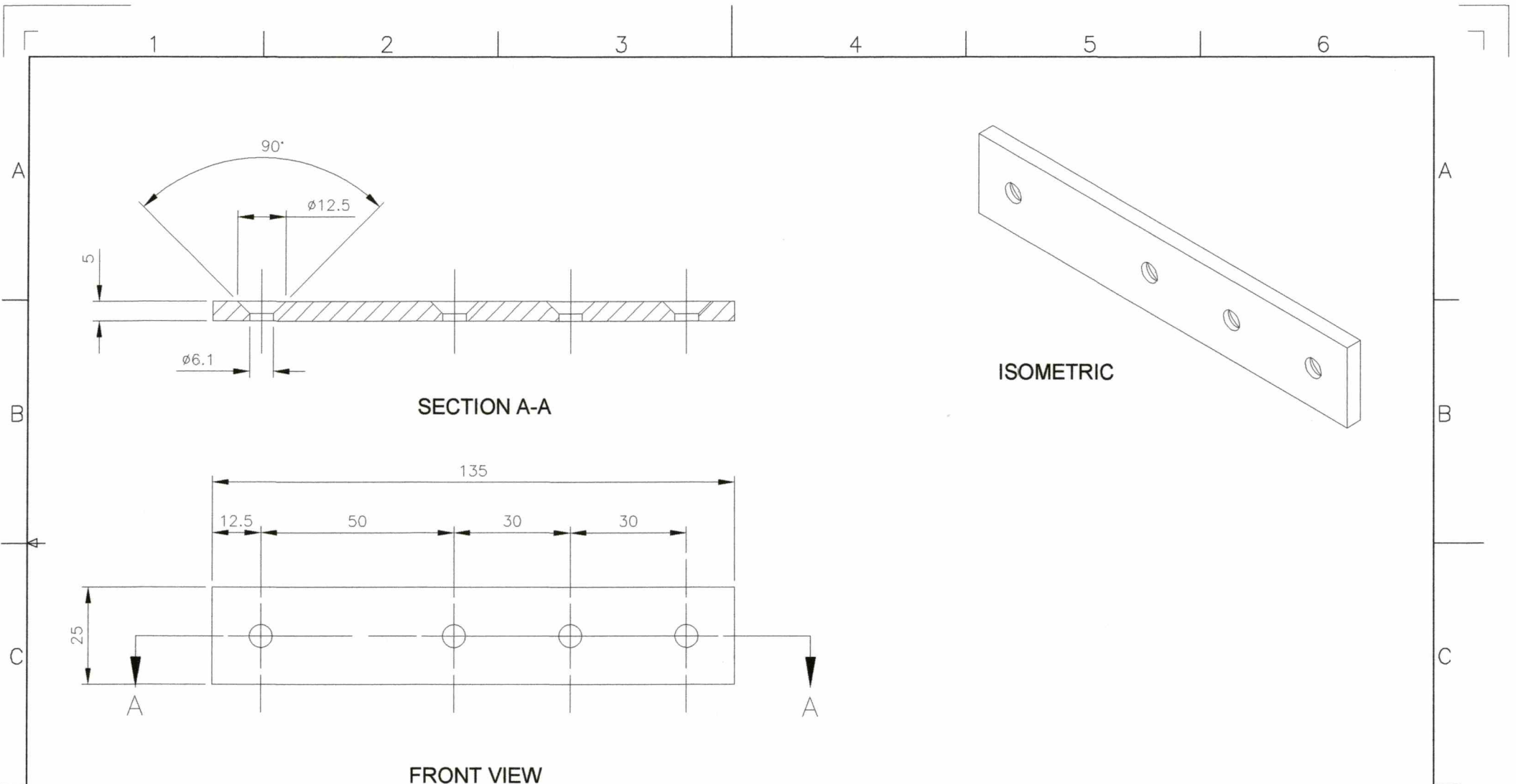
Date	JUNE 14, 2015	Scale	(NTS)
Conceptualized by			
Drawn by	B C Lisondra	Item Name	LEG A
Designed by		Material	ALUMINUM
Q.S.-Checked by		Sheet	06
Recommended by	M. S. MAQUILAS	 DepED-BLR	
Approved by	R. C. La Rosa		

TOLERANCES FOR LENGTH GAUGING						
Grade of Accuracy	Nominal Size	Over 0.5 to 3	Over 3 to 6	Over 6 to 30	Over 30 to 120	Over 120 to 400
Medium		± 0.10	± 0.10	± 0.20	± 0.30	± 0.50

TOLERANCES FOR RADIUS & CHAMFERS					
Grade of Accuracy	Nominal Size	Over 0.5 to 3	Over 3 to 6	Over 6 to 30	Over 30 to 120
Smooth		± 0.20	± 0.50	± 1.00	± 2.00
Medium					

SYM	REVISION	DATE	BY

1 2 3 4 5 6



SECTION A-A

ISOMETRIC

FRONT VIEW

NOTE : 1. All dimensions are in millimeter unless otherwise specified. GOVERNMENT PROPERTY

Date	JUNE 14, 2015	Scale	(NTS)
Conceptualized by			
Drawn by	B C Lisondra	Item Name	ANGLE DEMONSTRATOR
Designed by		Material	FASTENING PLATE
Q.C. Checked by		File name	ALUMINUM
Recommended by	M. S. MAQUILAS	Sheet	07
Approved by	R. C. La Rosa	 DepED-BLR	

TOLERANCES FOR LENGTH GAUGING						
Grade of Accuracy	Nominal Size	0.5 to 3	Over 3 to 6	Over 6 to 30	Over 30 to 120	Over 120 to 400
Medium		± 0.10	± 0.10	± 0.20	± 0.30	± 0.50

TOLERANCES FOR RADIUS & CHAMFERS					
Grade of Accuracy	Nominal Size	0.5 to 3	Over 3 to 6	Over 6 to 30	Over 30 to 120
Smooth		± 0.20	± 0.50	± 1.00	± 2.00
Medium					

SYM	REVISION	DATE	BY

1 2 3 4 5 6

A

B

C

D

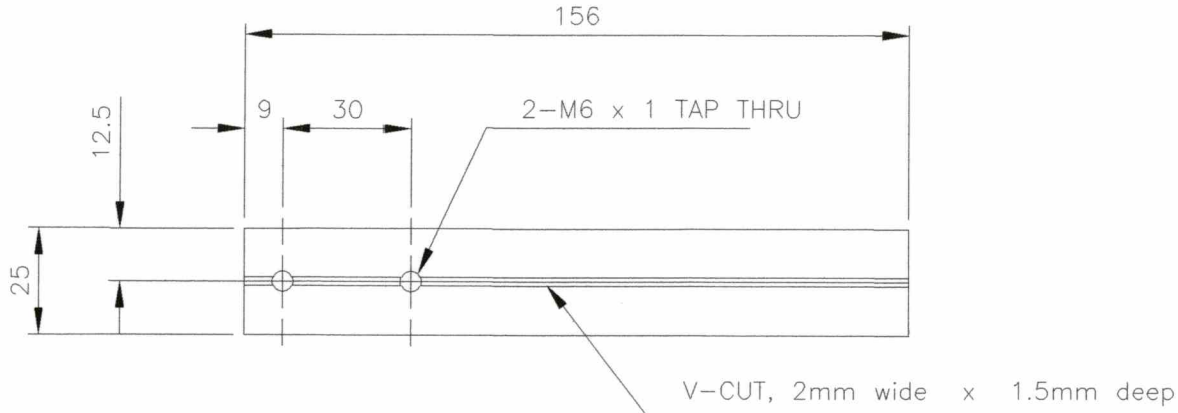
A

B

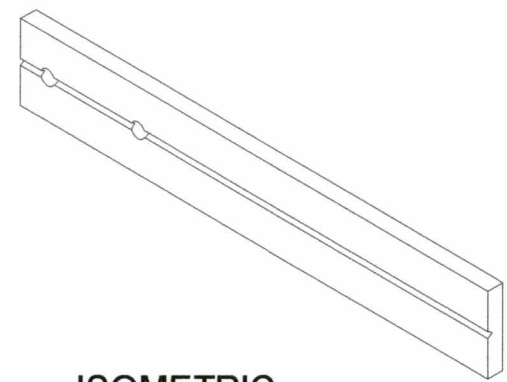
C

D

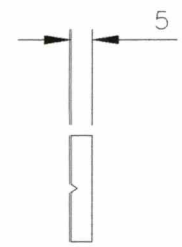
1 2 3 4 5 6



FRONT VIEW



ISOMETRIC




RIGHT SIDE VIEW

NOTE :
1. All dimensions are in millimeter unless otherwise specified.

GOVERNMENT PROPERTY

TOLERANCES FOR LENGTH GAUGING						
Grade of Accuracy	Nominal Size	0.5 to 3	Over 3 to 6	Over 6 to 30	Over 30 to 120	Over 120 to 400
Medium		± 0.10	± 0.10	± 0.20	± 0.30	± 0.50

TOLERANCES FOR RADIUS & CHAMFERS					
Grade of Accuracy	Nominal Size	0.5 to 3	Over 3 to 6	Over 6 to 30	Over 30 to 120
Smooth Medium		± 0.20	± 0.50	± 1.00	± 2.00

Date	JUNE 14, 2015	Scale	(NTS)	ANGLE DEMONSTRATOR	
Conceptualized by					
Drawn by	B C Lisondra	Item Name	LEG B	Sheet	08
Designed by		Material	ALUMINUM	File name	angle demo
Recommended by	M. S. MAQUILAS	 DepED-BLR			
Approved by	R. C. La Rosa				

D

D

C

C

B

B

A

A

1

2

3

4

5

6

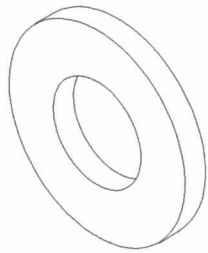
1

2

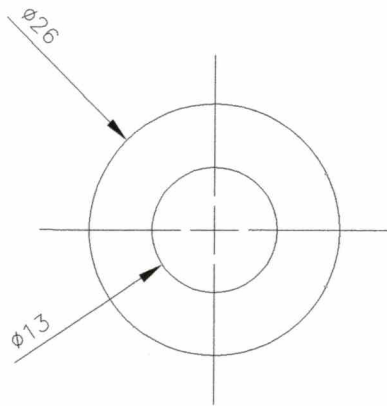
3

4

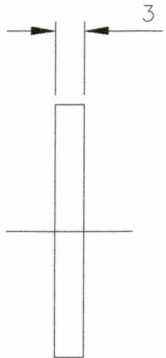
6



ISOMETRIC

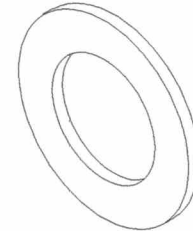


FRONT VIEW

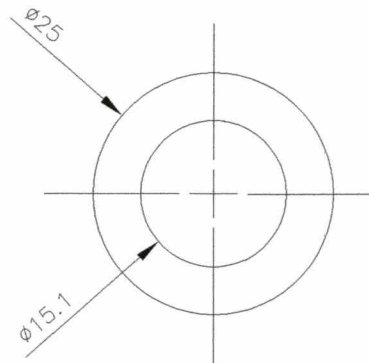


SIDE VIEW

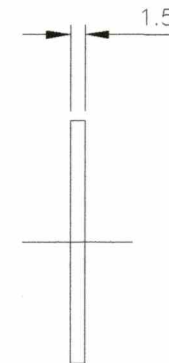
WASHER



ISOMETRIC



FRONT VIEW



SIDE VIEW

SPACER


NOTE :
1. All dimensions are in millimeter unless otherwise specified.

GOVERNMENT PROPERTY

TOLERANCES FOR LENGTH GAUGING						
Grade of Accuracy	Nominal Size	0.5 to 3	Over 3 to 6	Over 6 to 30	Over 30 to 120	Over 120 to 400
Medium		± 0.10	± 0.10	± 0.20	± 0.30	± 0.50

TOLERANCES FOR RADIUS & CHAMFERS					
Grade of Accuracy	Nominal Size	0.5 to 3	Over 3 to 6	Over 6 to 30	Over 30 to 120
Smooth Medium		± 0.20	± 0.50	± 1.00	± 2.00

SYM	REVISION	DATE	BY

Date	JUNE 14, 2015	Scale	(NTS)	ANGLE DEMONSTRATOR	
Conceptualized by					
Drawn by	B C Lisondra	Item Name	WASHER AND SPACER	Sheet	09
Designed by		Material	STAINLESS TELL	File name	angle demo
Q.C. Checked by		 DepED-BLR			
Recommended by	M. S. MAQUILAS				
Approved by	R. C. La Rosa				

1

2

3

4

5

6

A

A

B

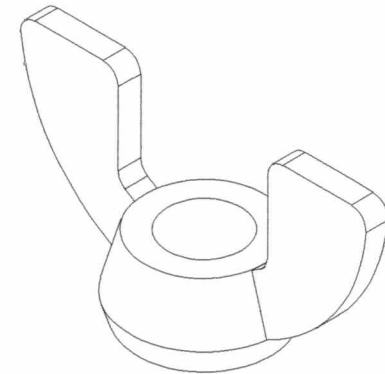
B

C

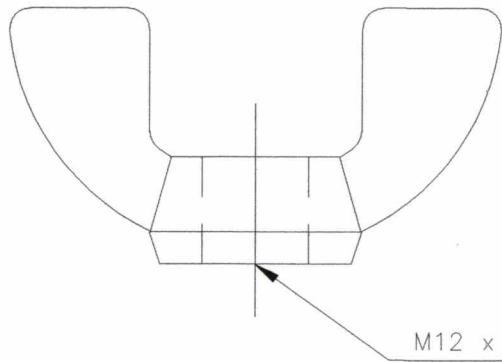
C

D

D

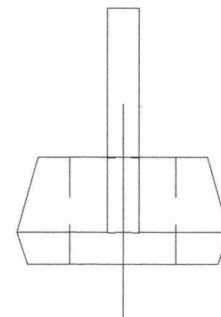


ISOMETRIC



FRONT VIEW

M12 x 1.75



SIDE VIEW

NOTE :

1. All dimensions are in millimeter unless otherwise specified.

GOVERNMENT PROPERTY

Date	JUNE 14, 2015	Scale	(NTS)	ANGLE DEMONSTRATOR	
Conceptualized by					
Drawn by	B C Lisondra	Item Name	M12 x 1.75 P WING NUT	Sheet	10
Designed by		Material	STAINLESS STEEL	File name	angle demo
Recommended by	M. S. MAQUILAS	 DepED-BLR			
Approved by	R. C. La Rosa				

TOLERANCES FOR LENGTH GAUGING						
Grade of Accuracy	Nominal Size	0.5 to 3	Over 3 to 6	Over 6 to 30	Over 30 to 120	Over 120 to 400
Medium		± 0.10	± 0.10	± 0.20	± 0.30	± 0.50
TOLERANCES FOR RADIUS & CHAMFERS						
Grade of Accuracy	Nominal Size	0.5 to 3	Over 3 to 6	Over 6 to 30	Over 30 to 120	
Smooth Medium		± 0.20	± 0.50	± 1.00	± 2.00	

SYM	REVISION	DATE	BY
-----	----------	------	----

1

2

3

4

6

1

2

3

4

5

6

A

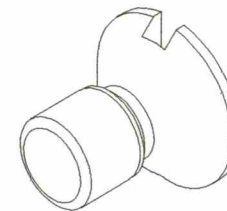
A

B

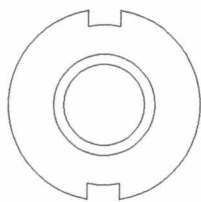
B

C

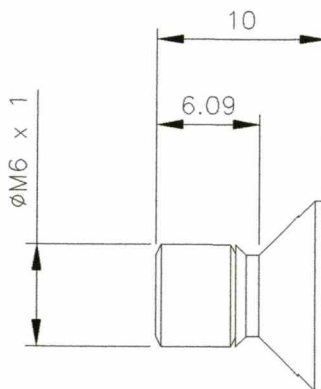
C



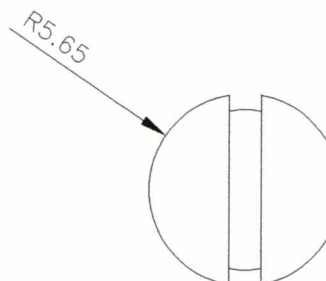
ISOMETRIC



FRONT VIEW



SIDE VIEW



FRONT VIEW

NOTE :

1. All dimensions are in millimeter unless otherwise specified.

GOVERNMENT PROPERTY

Date	JUNE 14, 2015	Scale	(NTS)	ANGLE DEMONSTRATOR			
Conceptualized by						Item Name	M6 x 1 P SCREW
Drawn by	B C Lisondra			Material	STAINLESS STEEL	File name	angle demo
Designed by	Q.S. Checked by			 DepED-BLR			
Recommended by	M. S. MAQUILAS						
Approved by	R. C. La Rosa						

TOLERANCES FOR LENGTH GAUGING						
Grade of Accuracy	Nominal Size	0.5 to 3	Over 3 to 6	Over 6 to 30	Over 30 to 120	Over 120 to 400
Medium		± 0.10	± 0.10	± 0.20	± 0.30	± 0.50

TOLERANCES FOR RADIUS & CHAMFERS					
Grade of Accuracy	Nominal Size	0.5 to 3	Over 3 to 6	Over 6 to 30	Over 30 to 120
Smooth		± 0.20	± 0.50	± 1.00	± 2.00
Medium					

SYM	REVISION	DATE	BY

1

2

3

4

6