

TOLERANCES FOR LENGTH GAUGING		TOLERANCES FOR RADIUS & CHAMFERS				
Grade of Accuracy	Normal	Over	Over	Over	Over	Over
	0.5 to 3	3 to 6	6 to 30	30 to 120	30 to 120	30 to 120
Medium	± 0.10	± 0.10	± 0.20	± 0.30	± 0.50	± 0.50
	± 0.10	± 0.10	± 0.20	± 0.30	± 0.50	± 0.50
Smooth	± 0.20	± 0.20	± 0.50	± 1.00	± 2.00	± 2.00
	± 0.20	± 0.20	± 0.50	± 1.00	± 2.00	± 2.00

NOTE: ALL DIMENSIONS ARE IN MILLIMETERS UNLESS OTHERWISE SPECIFIED.

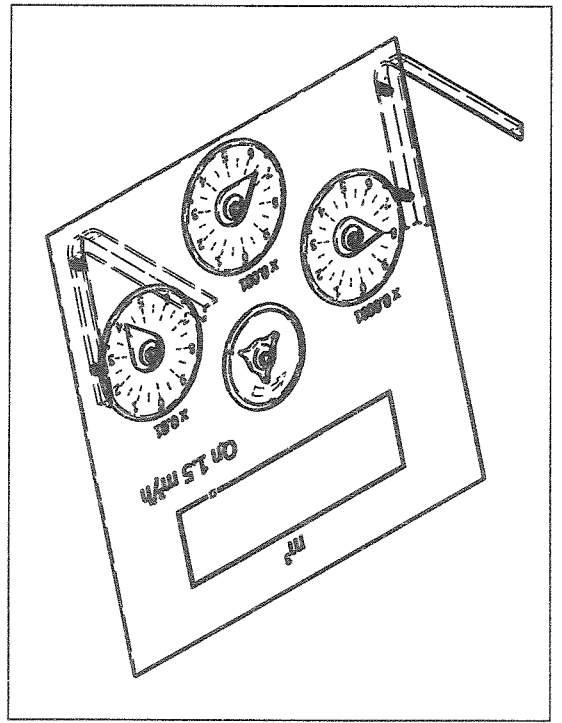
Date	04/30/2015	Conceptualized by	ARIJOA, J.N.
Scale	NTS	Drawn by	ARIJOA, J.N.
Item Name	ASSEMBLY	Material	
Sheet	1/8	Q.C. Checked by	
File name		Recommended by	M S Maculias
		Approved by	R C La Rosa



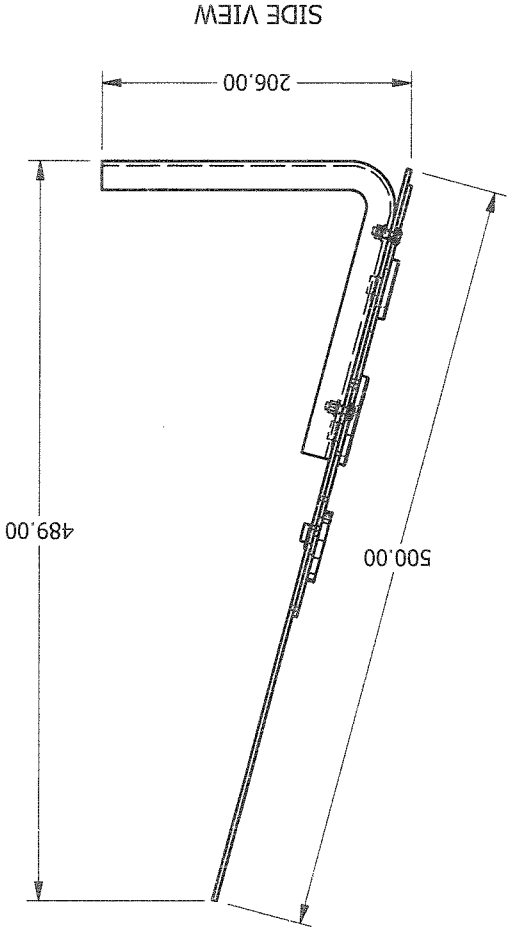
DepEd-BLR

GOVERNMENT PROPERTY

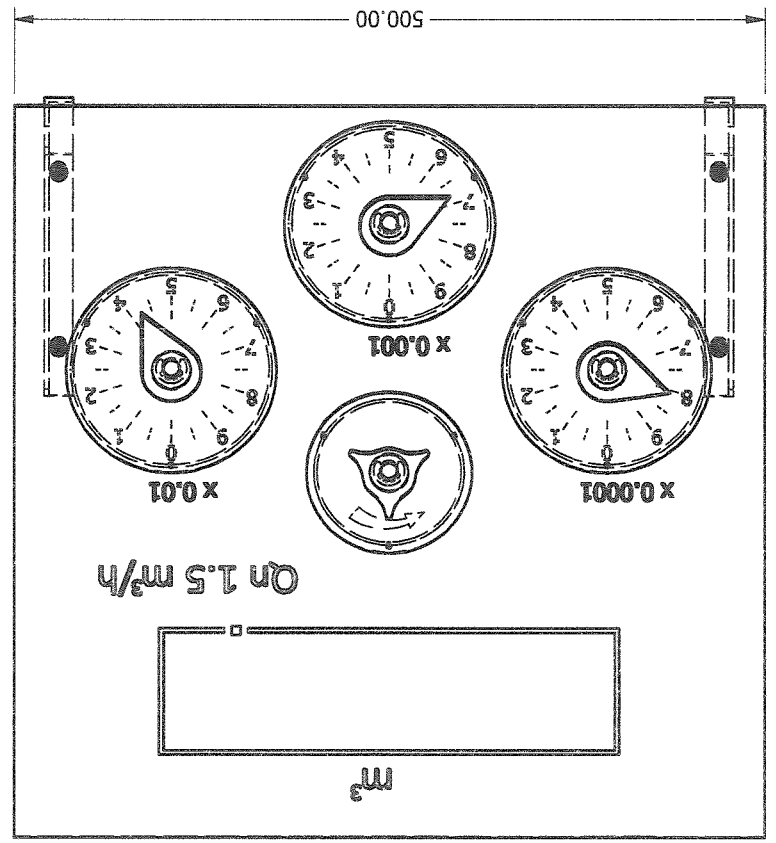
MANIPULATIVE WATER CONSUMPTION METER MODEL



ISOMETRIC

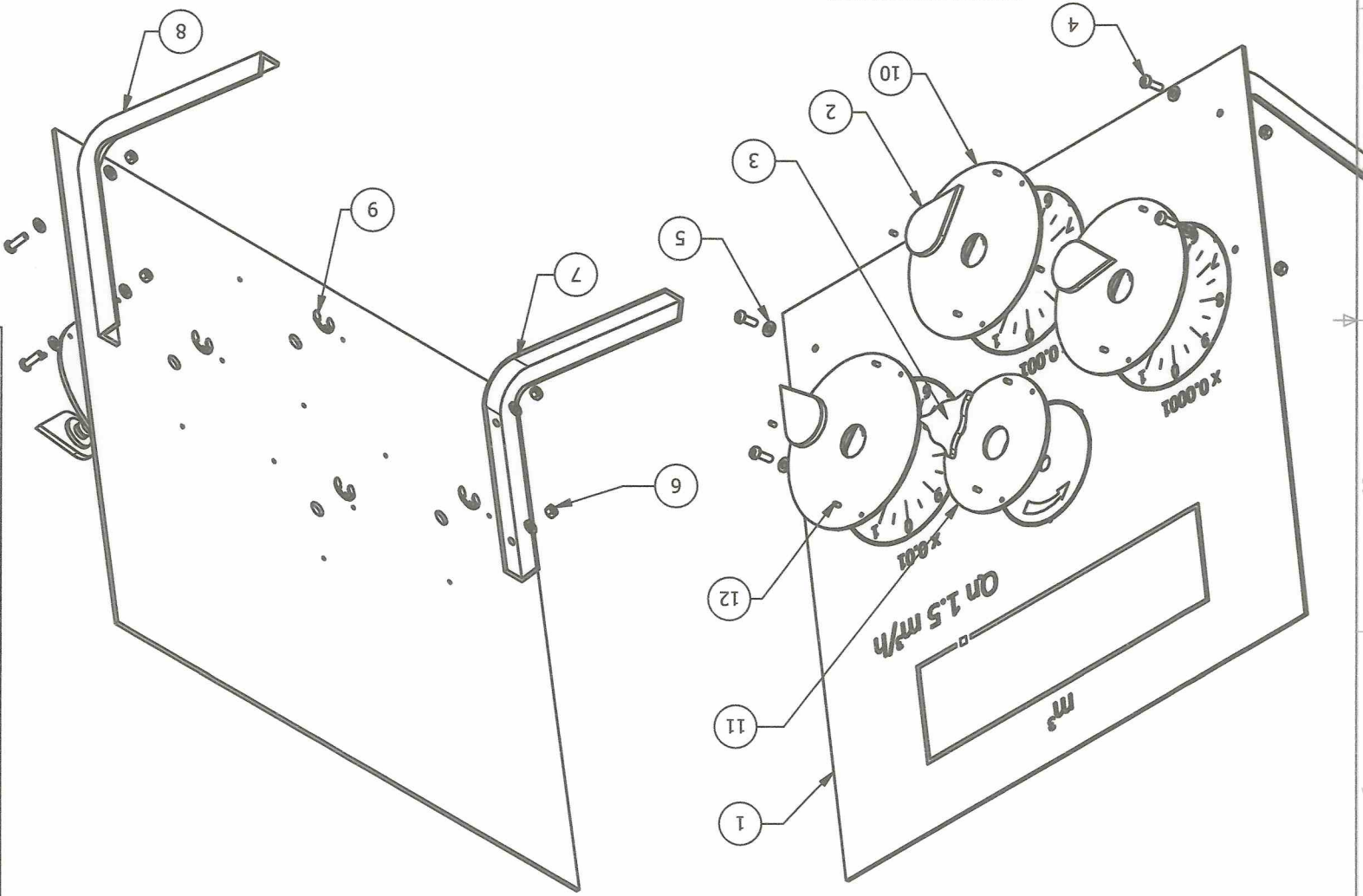


SIDE VIEW



FRONT VIEW

ITEM	QTY	PART NAME
1	1	PLASTIC BASE
2	3	INDICATOR 1
3	1	INDICATOR 2
4	4	SLOTTED PAN HEAD MACHINE SCREW - M5 x 0.8 x 16
5	8	PLAIN WASHER M5
6	4	HEX NUT - M5 x 0.8
7	1	STAND A- 3/4" x 3/4" x 1/8"
8	1	STAND B- 3/4" x 3/4" x 1/8"
9	4	ANGLE STEEL BAR
10	4	RETAINING RING FOR Ø10mm SHAFT (DIN 6799-10)- STEEL
11	3	PRINT COVER 1
12	1	PRINT COVER 2
12	12	DOWEL- NYLON 6,6 (Ø3mm X 6mm)



MANIPULATIVE WATER CONSUMPTION METER MODEL

Date: 04/30/2015
Scale: NTS

Conceptualized by: [Signature]

Drawn by: ARIQUA, J.N.

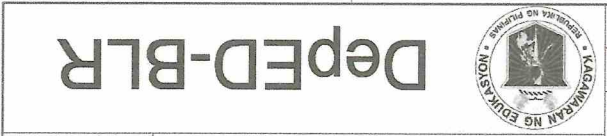
Item Name: EXPLODED
Material: [Blank]

Designed by: [Blank]
Q.C. Checked by: [Blank]

Recommended by: M S Maguillas
Approved by: R C La Rosa

GOVERNMENT PROPERTY

TOLERANCES FOR LENGTH GAUGING		TOLERANCES FOR RADII & CHAMFERS		TOLERANCES FOR LENGTH GAUGING		TOLERANCES FOR RADII & CHAMFERS		TOLERANCES FOR LENGTH GAUGING		TOLERANCES FOR RADII & CHAMFERS	
Grade of Accuracy	Nominal Size	Grade of Accuracy	Nominal Size	Grade of Accuracy	Nominal Size	Grade of Accuracy	Nominal Size	Grade of Accuracy	Nominal Size	Grade of Accuracy	Nominal Size
Medium	0.5 to 3	Medium	0.5 to 3	Medium	0.5 to 3	Medium	0.5 to 3	Medium	0.5 to 3	Medium	0.5 to 3
± 0.20	Over	± 0.10	Over	± 0.10	Over	± 0.10	Over	± 0.10	Over	± 0.10	Over
± 0.50	Over	± 0.20	Over	± 0.20	Over	± 0.20	Over	± 0.20	Over	± 0.20	Over
± 1.00	Over	± 0.30	Over	± 0.30	Over	± 0.30	Over	± 0.30	Over	± 0.30	Over
± 2.00	Over	± 0.50	Over	± 0.50	Over	± 0.50	Over	± 0.50	Over	± 0.50	Over
	30 to 120		30 to 120		30 to 120		30 to 120		30 to 120		30 to 120
	Over		Over		Over		Over		Over		Over



DepEd-BLR

File name: [Blank]
Sheet: 2/8

TOLERANCES FOR RADIUS & CHAMFERS	
Grade of Accuracy	Medium
Nominal Size	0.5 to 3
Over	0.20
Over	0.50
Over	1.00
Over	2.00
Grade of Accuracy	Medium
Nominal Size	0.5 to 3
Over	0.10
Over	0.20
Over	0.30
Over	0.50

REVISION	DATE	BY

Approved by **RCLA ROSA**
 Recommended by **M S Maculias**



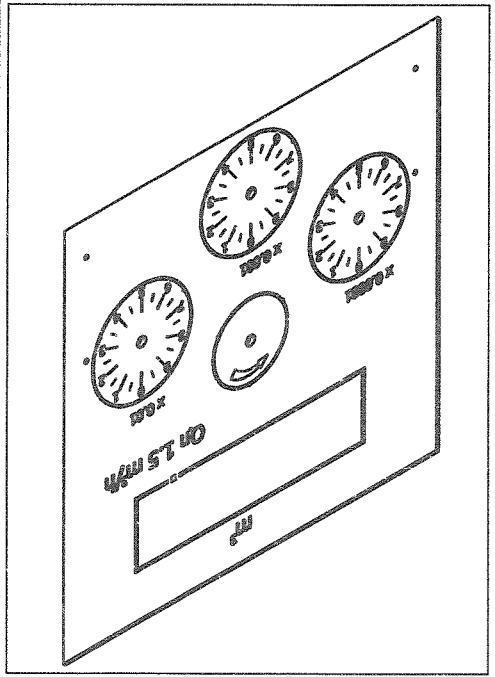
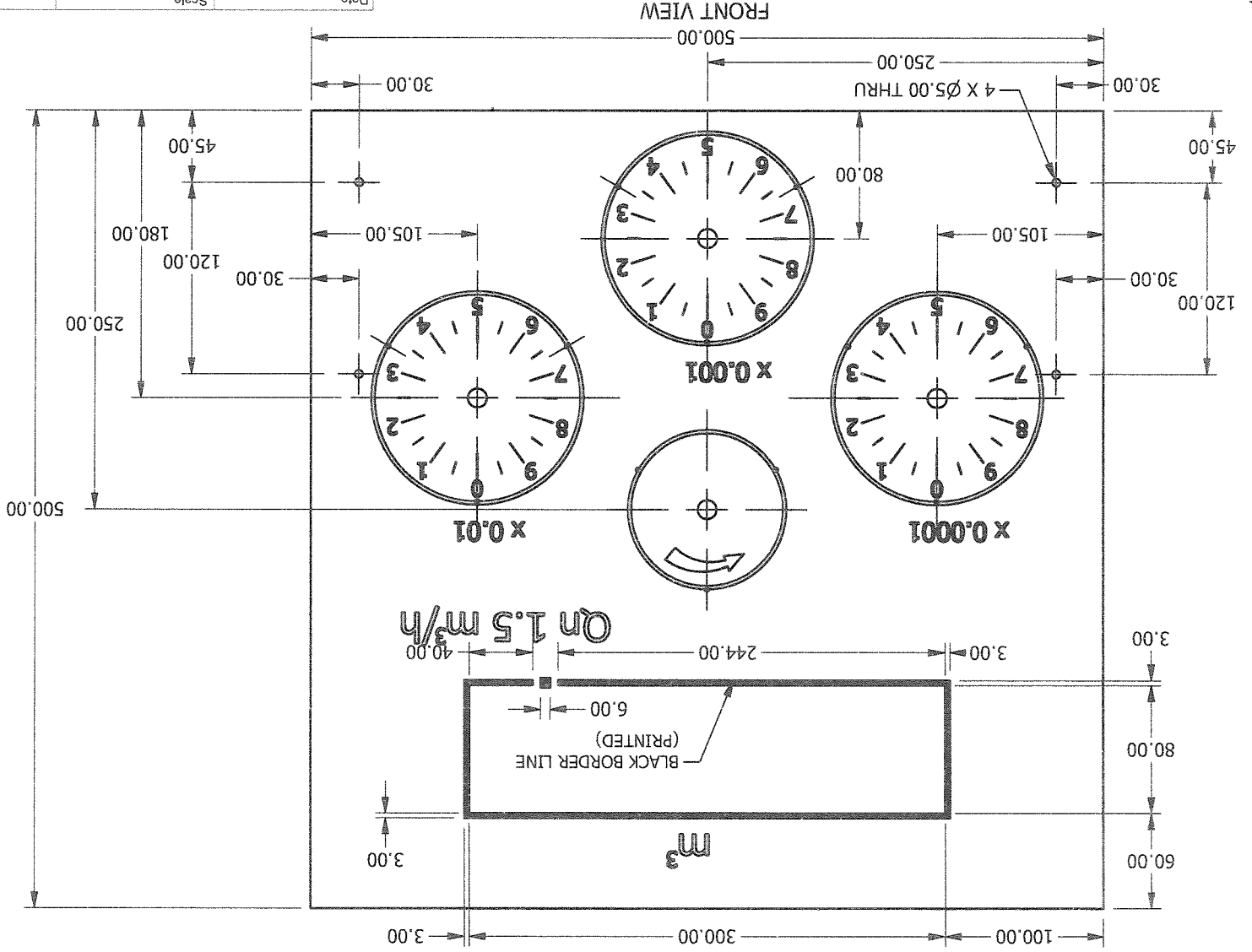
DepEd-BLR

Date: 04/30/2015
 Scale: NTS
 Conceptualized by: **ARIJOA, J.N.**
 Drawn by: **ARIJOA, J.N.**
 Designed by: **ARIJOA, J.N.**
 Checked by: **ARIJOA, J.N.**
 Item Name: **PLASTIC BASE**
 Material: **3mm THICK ACRYLIC PLASTIC (WHITE)**
 Sheet: **3/8**

MANIPULATIVE WATER CONSUMPTION METER MODEL

NOTE:
 1. ALL DIMENSIONS ARE IN MILLIMETERS UNLESS OTHERWISE SPECIFIED.
 2. SURFACE SHOULD BE SMOOTH ENOUGH FOR WRITING WITH WHITEBOARD MARKERS.
 3. ALL NUMBERS AND GRADUATIONS WILL BE PRINTED.

TOLERANCES FOR LENGTH GAUGING



ISOMETRIC

GOVERNMENT PROPERTY

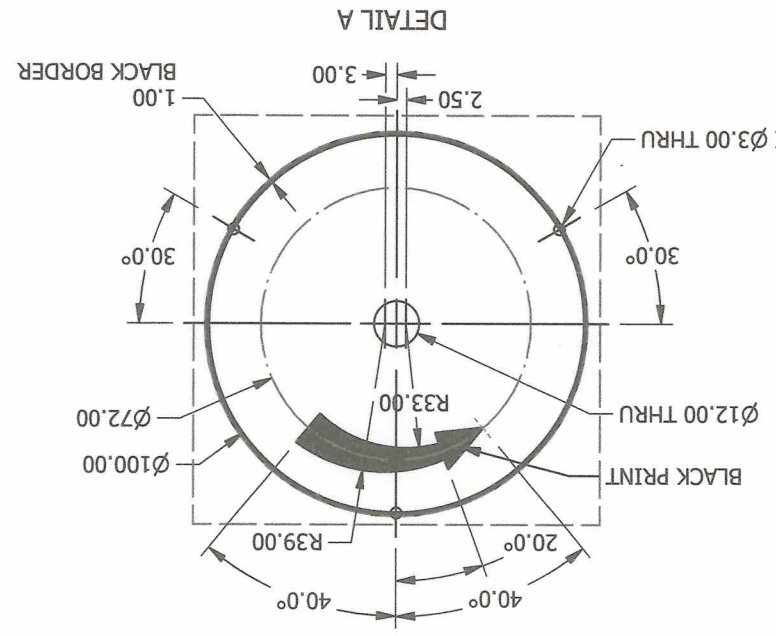
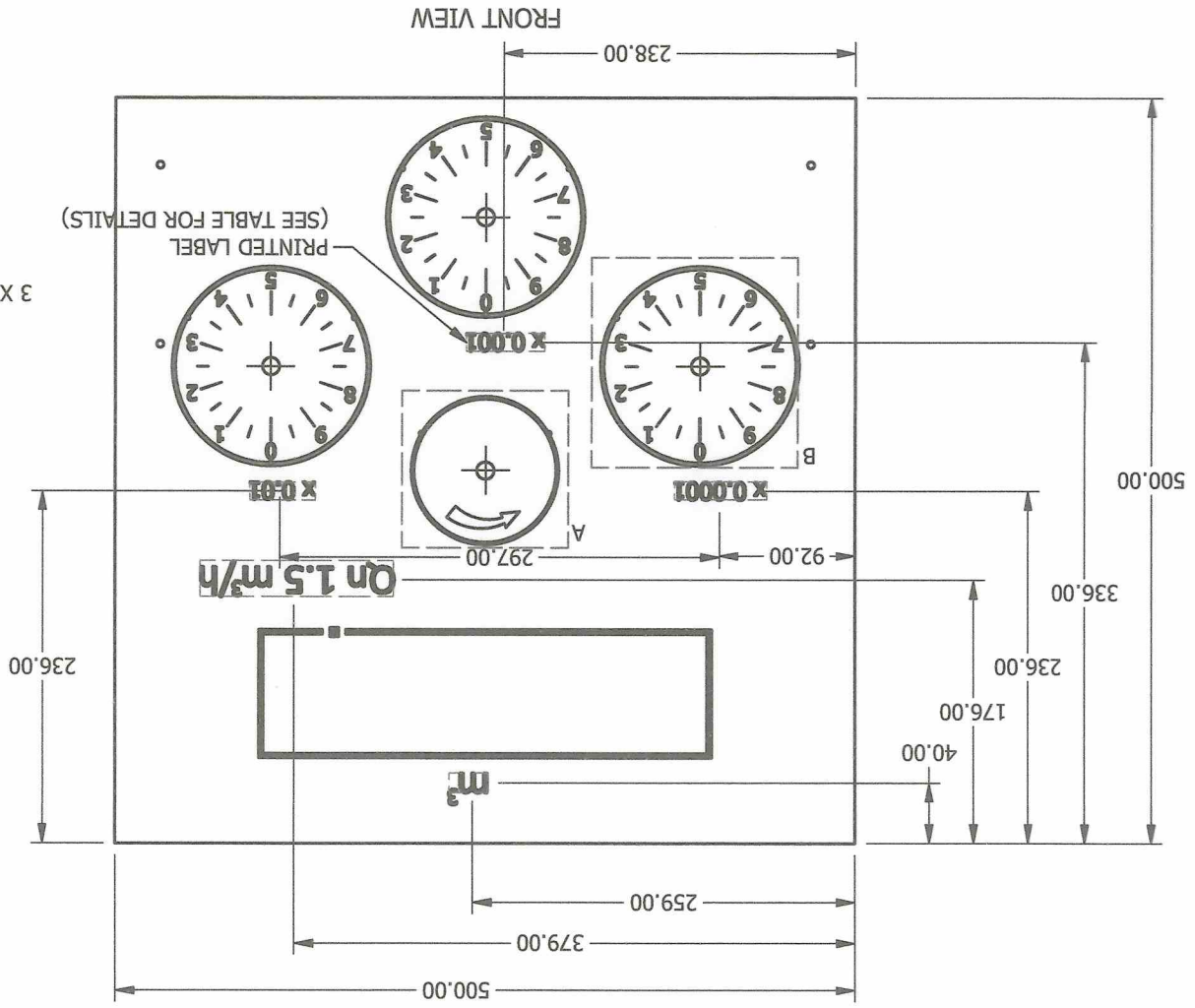
Grade of Accuracy		TOLERANCES FOR RADIUS & CHAMFERS		Grade of Accuracy	
Normal	Size	Over	Under	Normal	Size
0.5 to 3	Over	± 0.20	± 0.50	0.5 to 3	Over
3 to 6	Over	± 1.00	± 0.20	3 to 6	Over
6 to 30	Over	± 0.30	± 0.10	6 to 30	Over
30 to 120	Over	± 0.50	± 0.30	30 to 120	Over
				120 to 400	Over

REVISION	DATE	BY	SYM

Date	04/30/2015
Scale	NTS
Conceptualized by	ARIQVA, J.N.
Drawn by	ARIQVA, J.N.
Designed by	Q.C. Checked by
Recommended by	M S Maguillas
Approved by	R C La Rosa

Item Name	PLASTIC BASE
Material	3mm THICK ACRYLIC PLASTIC (WHITE)
File name	4/8
Sheet	4/8
MANIPULATIVE WATER CONSUMPTION METER MODEL	

NOTE:
 1. ALL DIMENSIONS ARE IN MILLIMETERS UNLESS OTHERWISE SPECIFIED.
 2. SURFACE SHOULD BE SMOOTH ENOUGH FOR WRITING WITH WHITEBOARD MARKERS.
 3. ALL NUMBERS AND GRADUATIONS WILL BE PRINTED.



TEXT DETAIL			
TEXT	TEXT HEIGHT	TEXT WIDTH	FONT TYPE
m³	13.50	26.00	CALIBRI (black)
On 1.5 m³/h	24.00	131.00	CALIBRI (black)
x 0.0001	12.00	62.00	CALIBRI (black)
x 0.001	12.00	53.00	CALIBRI (black)
x 0.01	12.00	44.00	CALIBRI (black)

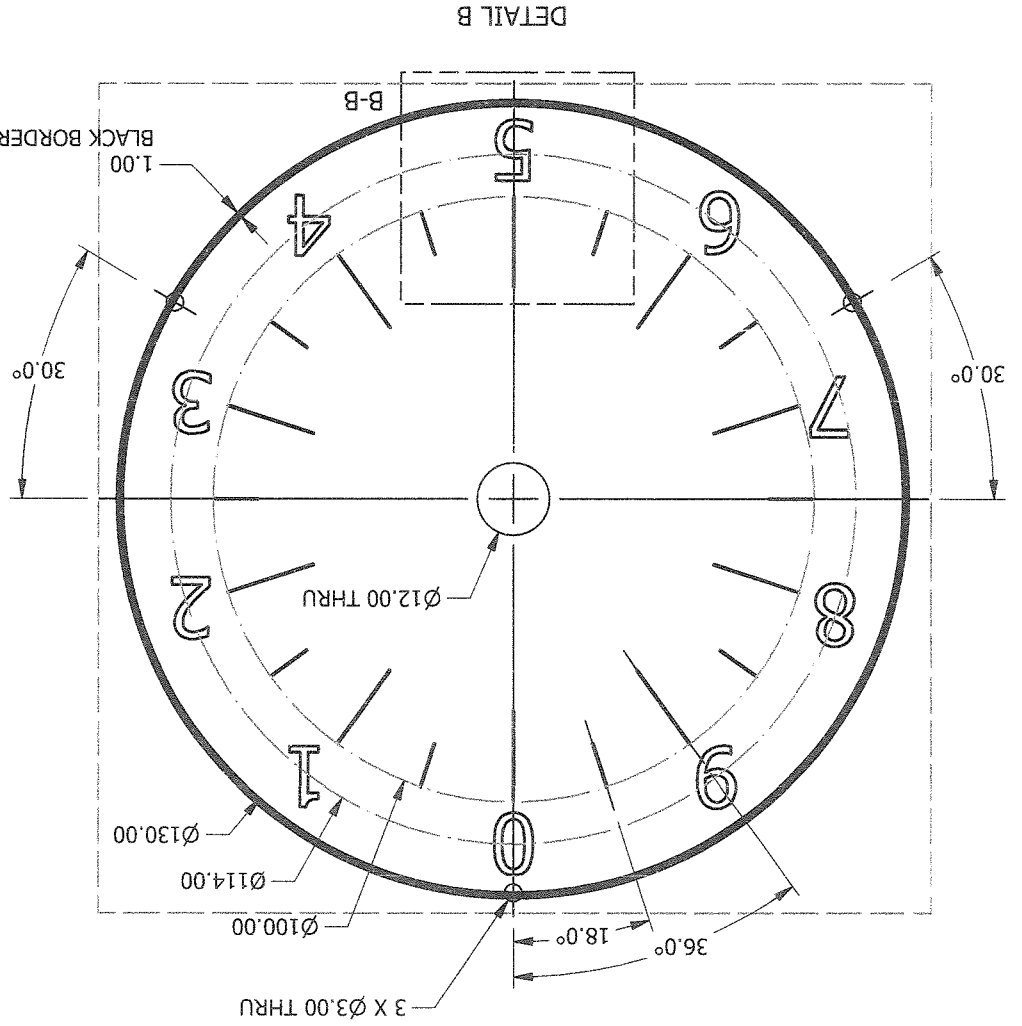
GOVERNMENT PROPERTY

DepEd-BLR

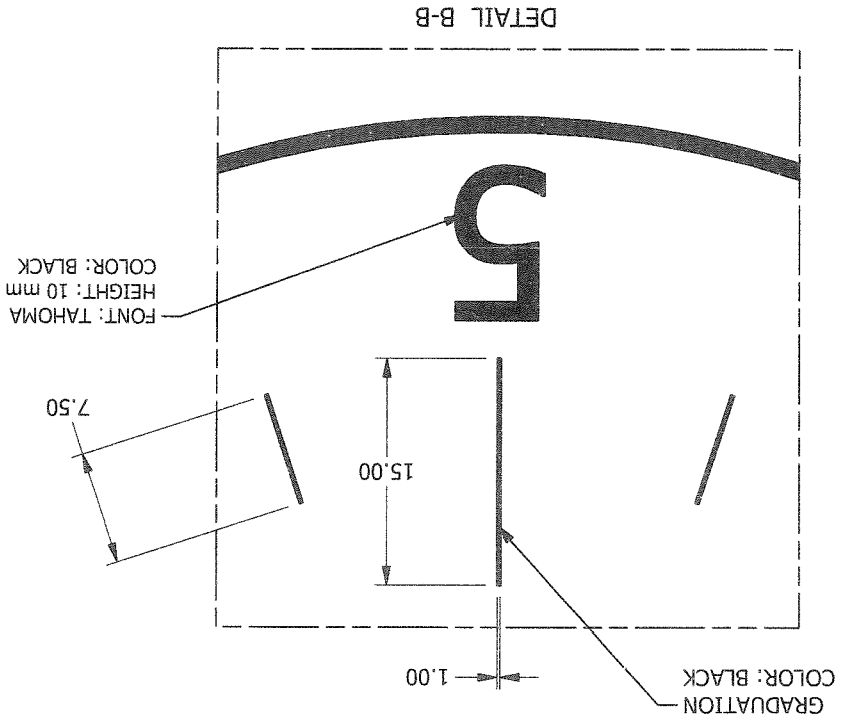


TOLERANCES FOR LENGTH GAUGING	
Grade of Accuracy	Normal
Size	0.5 to 3
Over	Over
± 0.10	± 0.10
± 0.20	± 0.20
± 0.30	± 0.30
± 0.50	± 0.50
TOLERANCES FOR RADIUS & CHAMFERS	
Grade of Accuracy	Normal
Size	0.5 to 3
Over	Over
± 0.10	± 0.10
± 0.20	± 0.20
± 0.30	± 0.30
± 0.50	± 0.50
TOLERANCES FOR RADIUS & CHAMFERS	
Grade of Accuracy	Normal
Size	3 to 6
Over	Over
6 to 30	Over
30 to 120	Over
120 to 400	Over
± 2.00	± 2.00

NOTE:
 1. ALL DIMENSIONS ARE IN MILLIMETERS UNLESS OTHERWISE SPECIFIED.
 2. ALL NUMBERS AND GRADUATIONS WILL BE PRINTED.



DETAIL B



DETAIL B-B

Date	04/30/2015	Scale	NTS
Conceptualized by			
Drawn by	ARIOJA, J.N.	Material	
Designed by		Q.C. Checked by	
Recommended by	M S Maguillas		
Approved by	RCLA ROSA		

Item Name	MANIPULATIVE WATER CONSUMPTION METER MODEL
Sheet	5/8
PRINT DETAIL	
File name	

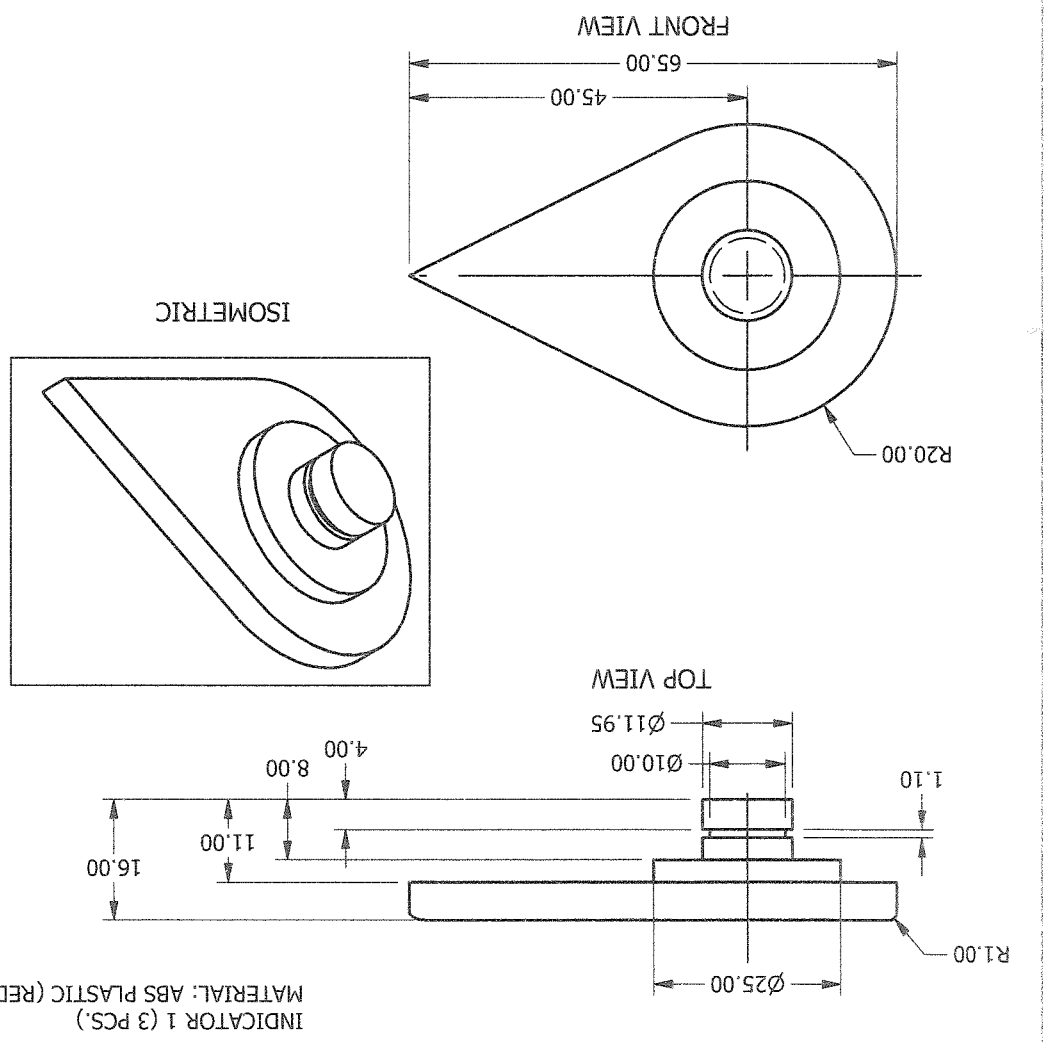
DepEd-BLR



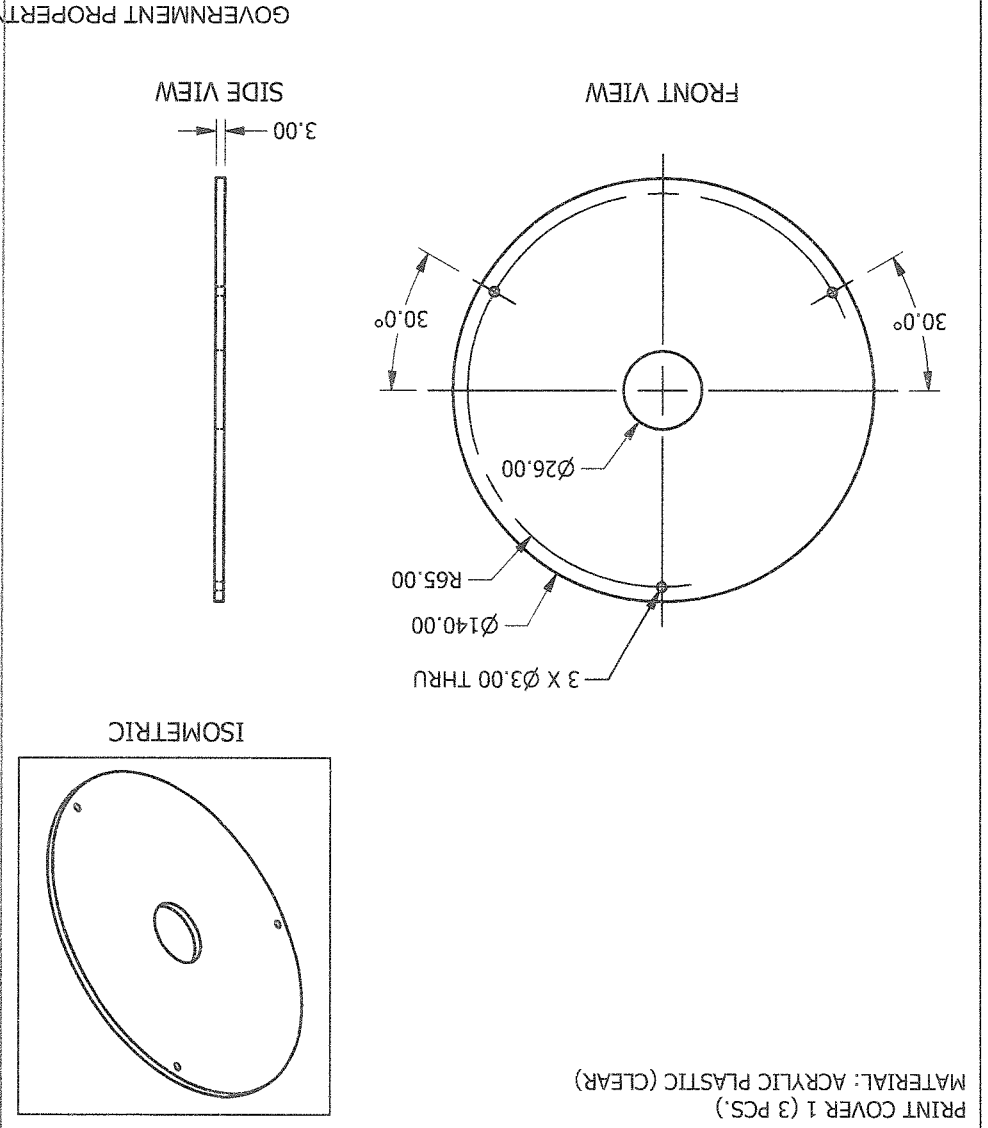
GOVERNMENT PROPERTY

TOLERANCES FOR LENGTH GAUGING		TOLERANCES FOR RADIUS & CHAMFERS		Grade of Accuracy		Grade of Accuracy	
Accuracy	Nominal Size	Medium	Accuracy	Nominal Size	Medium	Accuracy	Nominal Size
Over	0.5 to 3	Over	± 0.20	Over	± 0.20	Over	± 0.20
Over	3 to 6	Over	± 0.10	Over	± 0.10	Over	± 0.10
Over	6 to 30	Over	± 0.20	Over	± 0.10	Over	± 0.10
Over	30 to 120	Over	± 0.30	Over	± 0.20	Over	± 0.20
Over	120 to 400	Over	± 0.50	Over	± 0.30	Over	± 0.30

NOTE: ALL DIMENSIONS ARE IN MILLIMETERS UNLESS OTHERWISE SPECIFIED.



Date	04/30/2015	Scale	NTS
Conceptualized by	ARIQJA, J.N.		
Drawn by	ARIQJA, J.N.		
Designed by	Q.C. Checked by		
Material	ABS PLASTIC (RED) / ACRYLIC PLASTIC		
Item Name	INDICATOR 1/ PRINT COVER		
Sheet	6/8		
File name			



GOVERNMENT PROPERTY

MANIPULATIVE WATER CONSUMPTION
METER MODEL

DepED-BLR

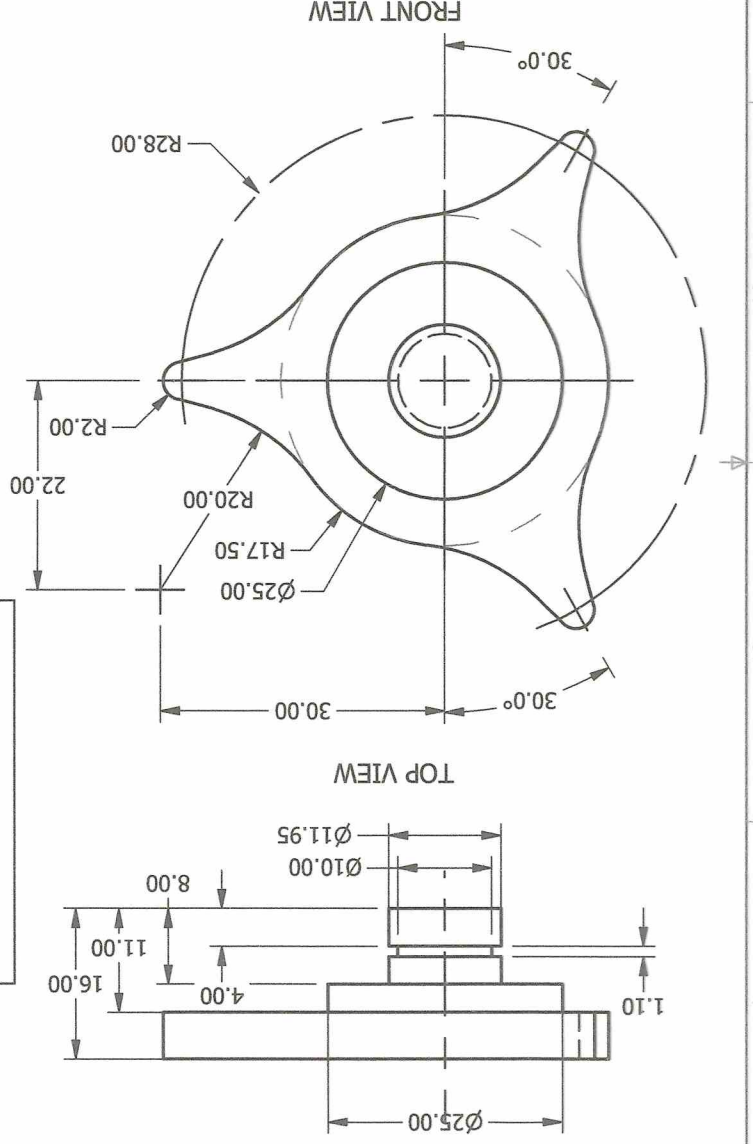


Approved by
RCLa Rosa

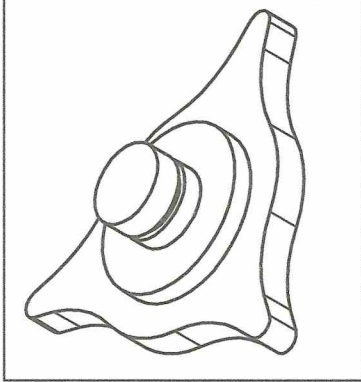
Recommended by
M S Maguillas

TOLERANCES FOR LENGTH GAUGING	
Grade of Accuracy	Nominal Size
Medium	± 0.20
Medium	± 0.10
Medium	± 0.10
Medium	± 0.20
Medium	± 0.30
Medium	± 0.50
Grade of Accuracy	Nominal Size
Medium	0.5 to 3
Medium	3 to 6
Medium	6 to 30
Medium	30 to 120
Medium	120 to 400
Medium	Over

NOTE: ALL DIMENSIONS ARE IN MILLIMETERS UNLESS OTHERWISE SPECIFIED.

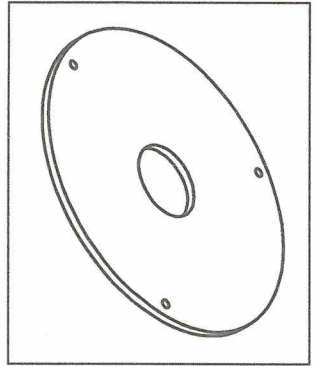


INDICATOR 2 (1 PC.)
MATERIAL: ABS PLASTIC (RED)

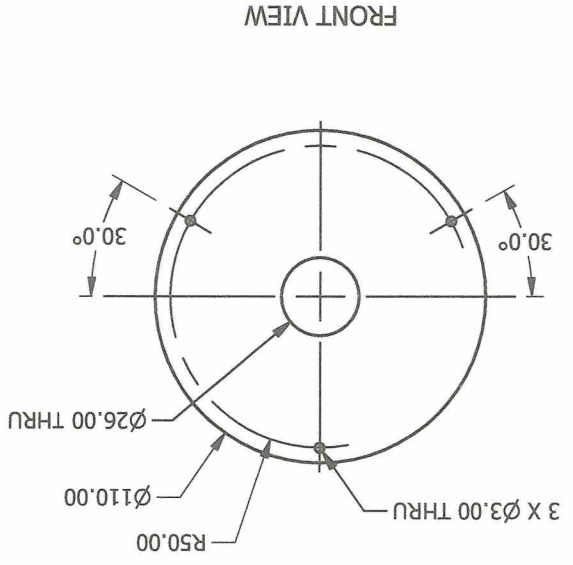


ISOMETRIC

PRINT COVER 2 (1 PC.)
MATERIAL: ACRYLIC PLASTIC (CLEAR)



ISOMETRIC



FRONT VIEW

SIDE VIEW

REVISION	DATE	BY

Approved by	R C La Rosa
Recommended by	M S Maguilas
Designed by	Arioja, J.N.
Q.C. Checked by	
Conceptualized by	
Date	04/30/2015
Scale	NTS

Item Name	INDICATOR 2 / PRINT COVER 2
Material	ABS PLASTIC (RED) / ACRYLIC PLASTIC
File name	7/8
Sheet	
MANIPULATIVE WATER CONSUMPTION METER MODEL	

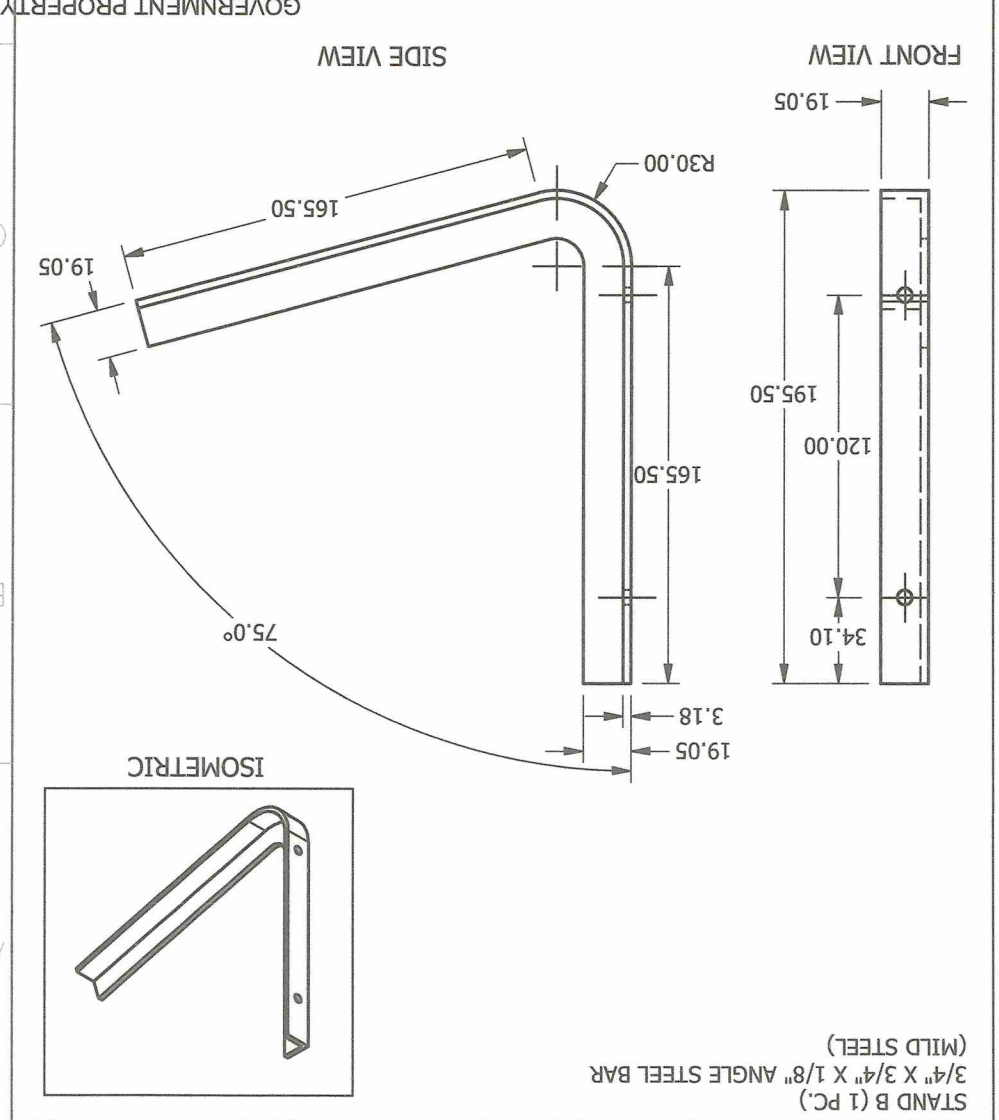
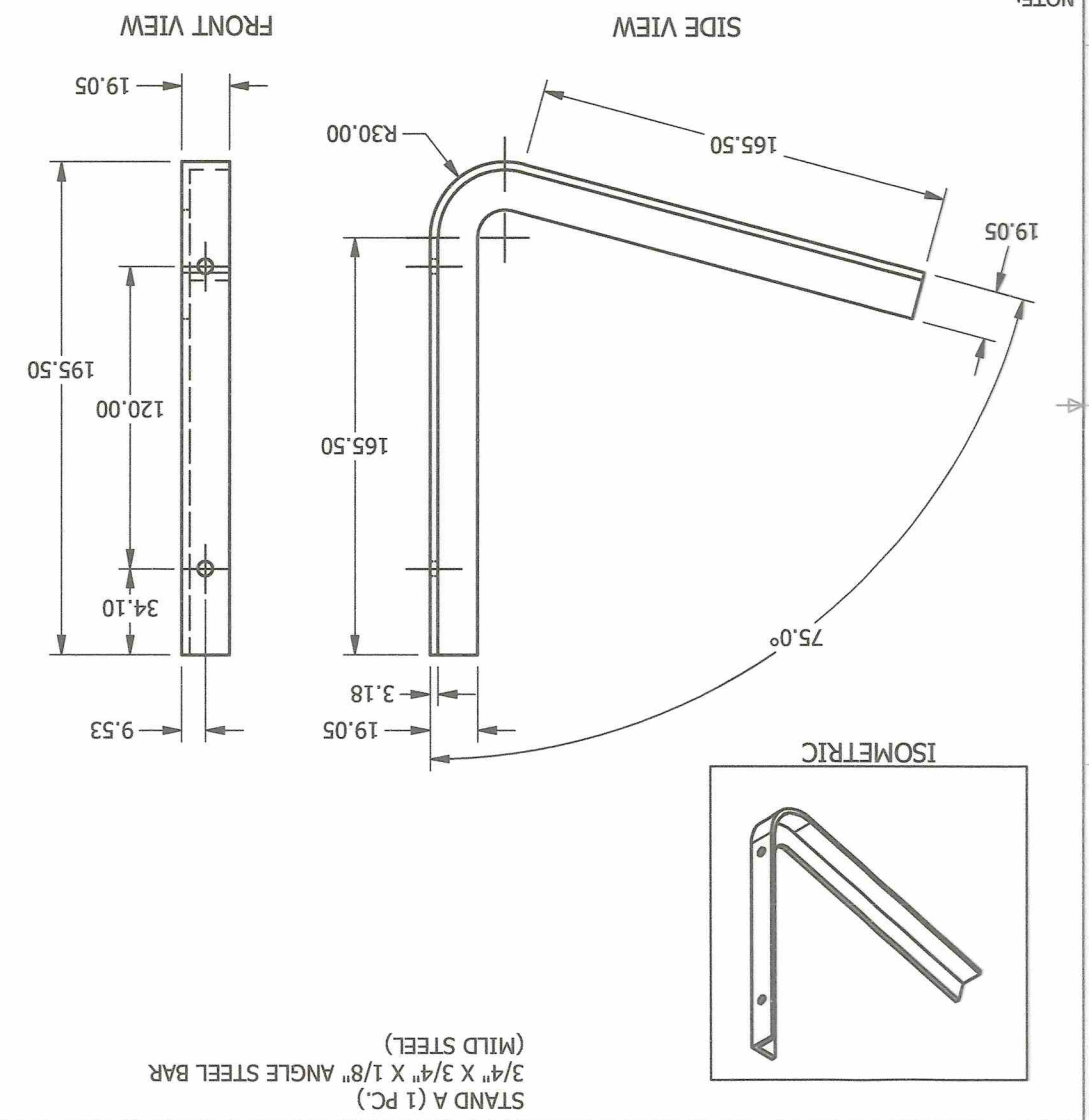
DepEd-BLR



GOVERNMENT PROPERTY

Grade of Accuracy		TOLERANCES FOR LENGTH GAUGING		Grade of Accuracy		TOLERANCES FOR RADIUS & CHAMFERS		Grade of Accuracy	
Medium	Smooth	± 0.20	± 0.50	± 0.10	± 0.20	± 0.10	± 0.20	± 0.10	± 0.20
± 0.5 to 3	± 0.5 to 3	± 0.10	± 0.10	± 0.10	± 0.10	± 0.10	± 0.10	± 0.10	± 0.10
Over	Over	Over	Over	Over	Over	Over	Over	Over	Over
3 to 6	3 to 6	6 to 30	6 to 30	6 to 30	6 to 30	6 to 30	6 to 30	6 to 30	6 to 30
± 1.00	± 1.00	± 1.00	± 1.00	± 1.00	± 1.00	± 1.00	± 1.00	± 1.00	± 1.00
± 2.00	± 2.00	± 2.00	± 2.00	± 2.00	± 2.00	± 2.00	± 2.00	± 2.00	± 2.00

NOTE:
 1. ALL DIMENSIONS ARE IN MILLIMETERS UNLESS OTHERWISE SPECIFIED.
 2. REMOVE BURRS AND SHARP EDGES.
 3. APPLY METAL PRIMER AND FINISH WITH BLACK PAINT.



Date: 04/30/2015
 Scale: NTS
 Conceptualized by: [Signature]
 Drawn by: ARIOLA, J.N.
 Q.C. Checked by: [Signature]
 Material: MILD STEEL
 Item Name: STAND (2 PCS.)
 Sheet: 8/8
 File name: [Blank]

MANIPULATIVE WATER CONSUMPTION METER MODEL

Recommended by: M S Maguilas
 Approved by: R C La Rosa

DepEd-BLR

1 2 3 4 5 6

1 2 3 4 5 6