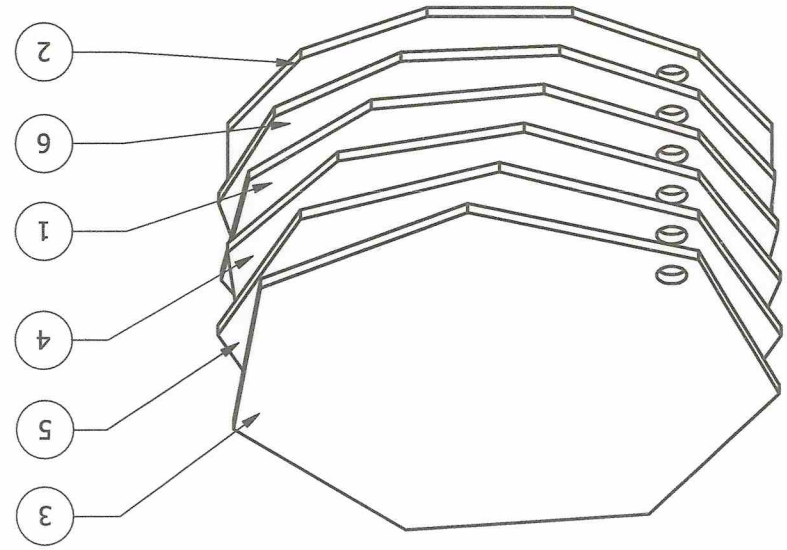
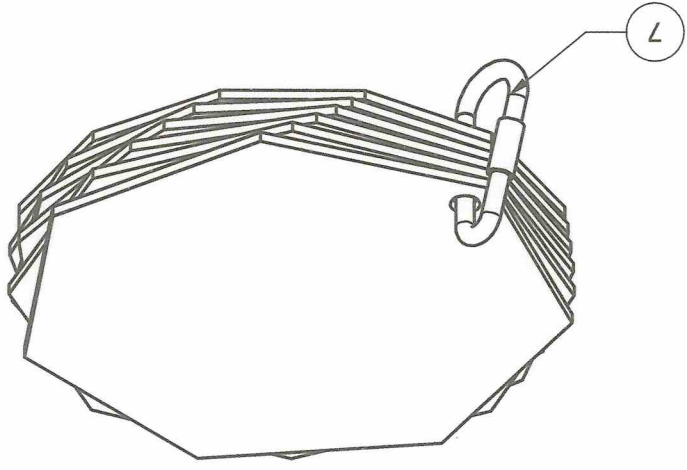
 DepED-BLR		Approved by <i>R C La Rosa</i>	BY	DATE	REVISION	SYM	TOLERANCES FOR LENGTH GAUGING		TOLERANCES FOR RADIUS & CHAMFERS		Medium	
		Recommended by <i>M S Maguilas</i>						Grade of Accuracy	Grade of Accuracy	Smooth Size	Smooth Size	Accuracy
Item Name REGULAR POLYGONS (ASSEMBLY)		Designed by ARIOJA, J.N.	Drawn by				Medium		Medium		Medium	
Scale NTS	Date 5/25/2015	Conceptualized by					Grade of Accuracy		Grade of Accuracy		Grade of Accuracy	
Material	Checked by						Nominal Size		Nominal Size		Nominal Size	
File name polygons.dwg	Sheet 1 / 2						Over		Over		Over	

ISOMETRIC




ITEM	QTY	PART NAME	MATERIAL
1	1	decagon	ABS PLASTIC
2	1	dodecagon	ABS PLASTIC
3	1	heptagon	ABS PLASTIC
4	1	nonagon	ABS PLASTIC
5	1	octagon	ABS PLASTIC
6	1	undecagon	ABS PLASTIC
7	1	threaded lock	(ALUMINUM) MARKET ITEM

REGULAR POLYGONS

TOLERANCES FOR LENGTH GAUGING		TOLERANCES FOR RADIUS & CHAMFERS	
Grade of Accuracy	Normal	Over	Under
Size	0.5 to 3	3 to 6	6 to 120
Medium	± 0.20	± 0.50	± 1.00
Smooth	± 0.20	± 0.50	± 1.00
Accuracy	0.5 to 3	3 to 6	6 to 120
Grade of Accuracy	Normal	Over	Under
Size	0.5 to 3	3 to 6	6 to 120
Medium	± 0.10	± 0.20	± 0.30
Smooth	± 0.10	± 0.20	± 0.30

REVISION	DATE	BY

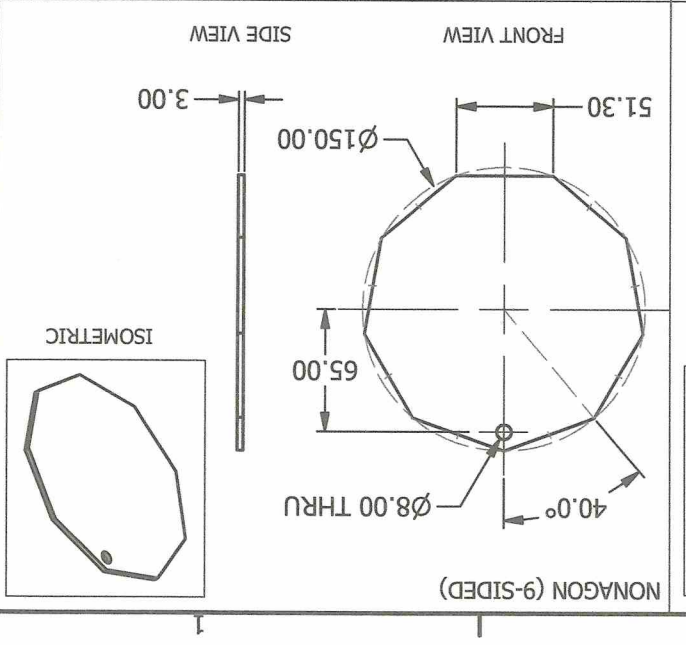
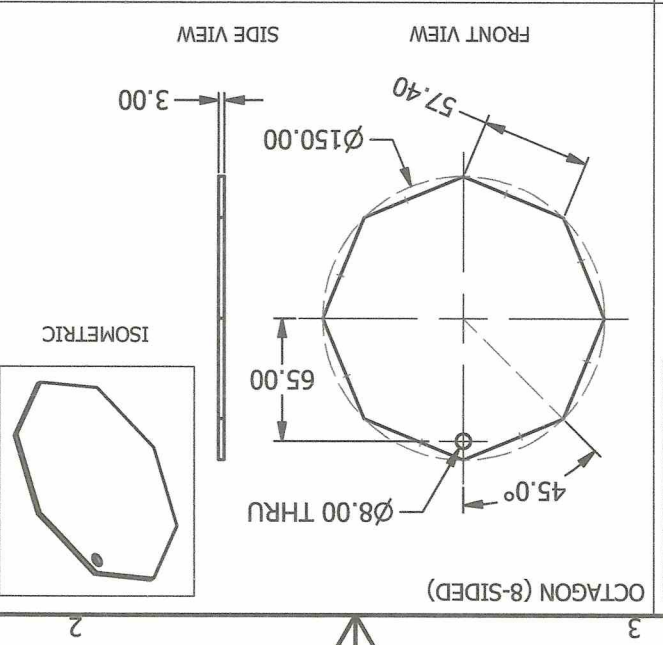
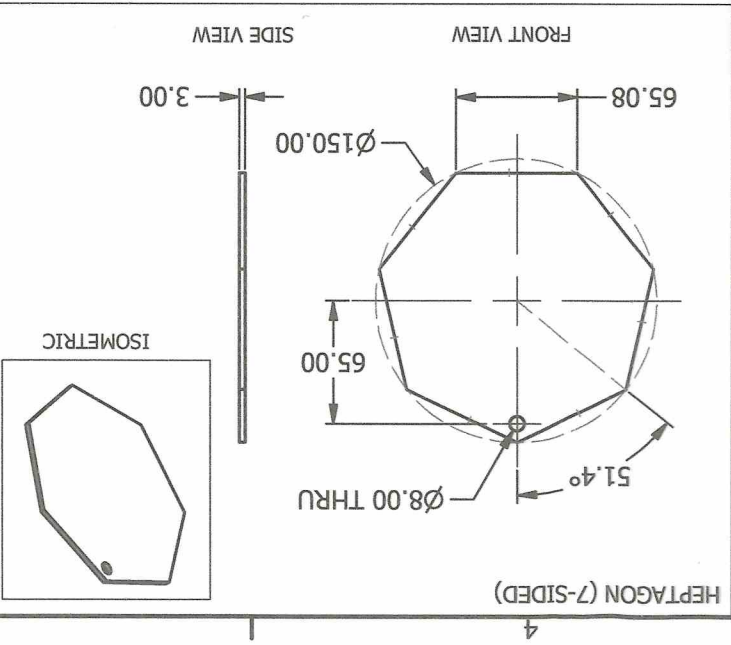
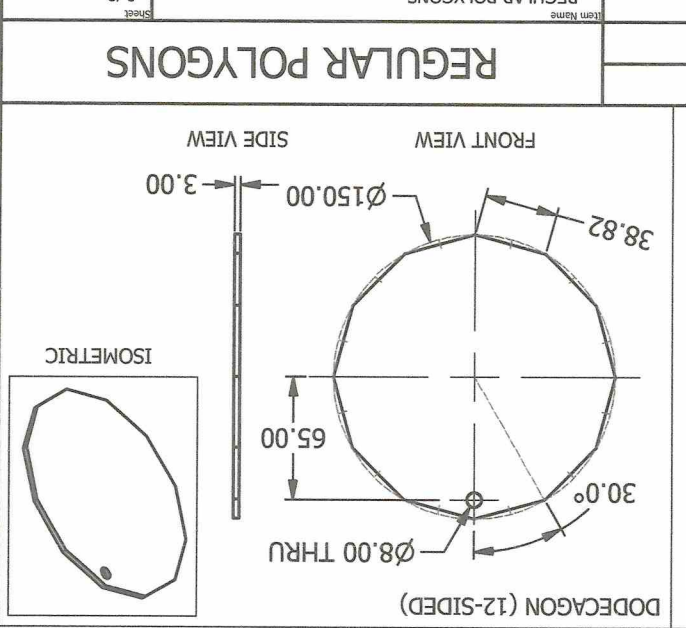
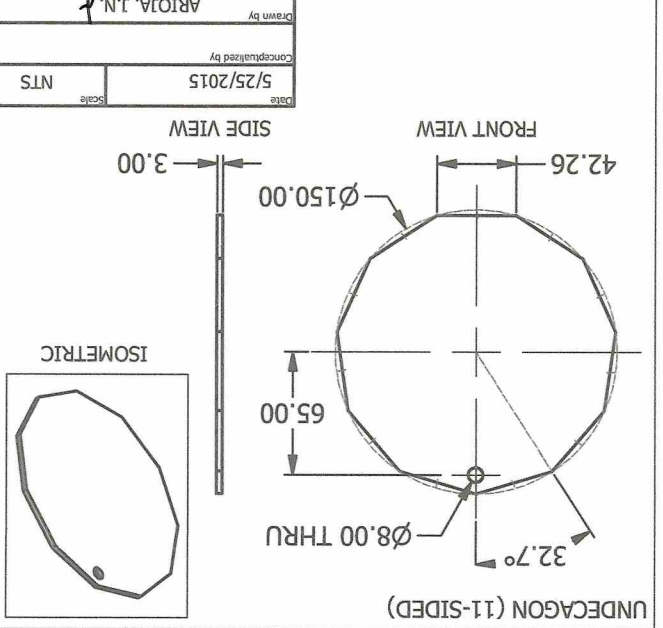
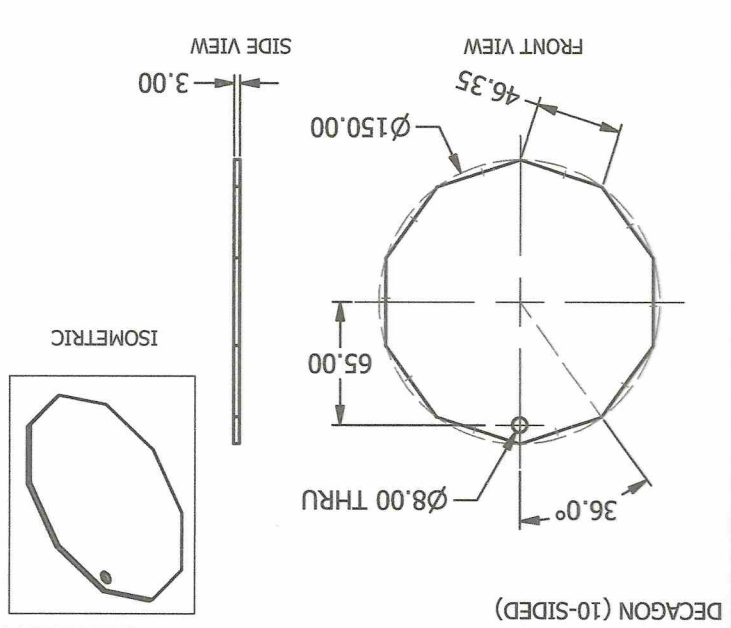
Approved by	R C La Rosa
Recommended by	M S Maguillas
Designed by	ARIOLA, J.N.
Checked by	
Conceptualized by	
Date	5/25/2015
Scale	NTS



KAGAMAKAN NG EDUKASYON
REPUBLIC OF THE PHILIPPINES

DepEd-BLR

Learn Name	REGULAR POLYGONS
Material	ABS PLASTIC
File name	polygons.idw
Sheet	2 / 2



REGULAR POLYGONS