

1 2 3 4 5 6

A

B

C

D

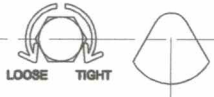
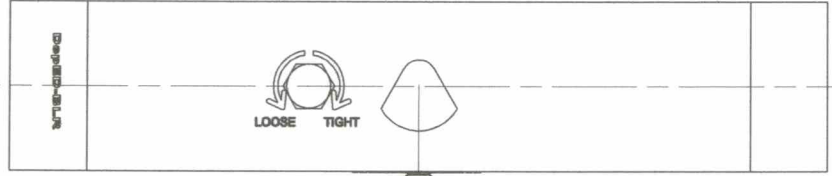
A

B

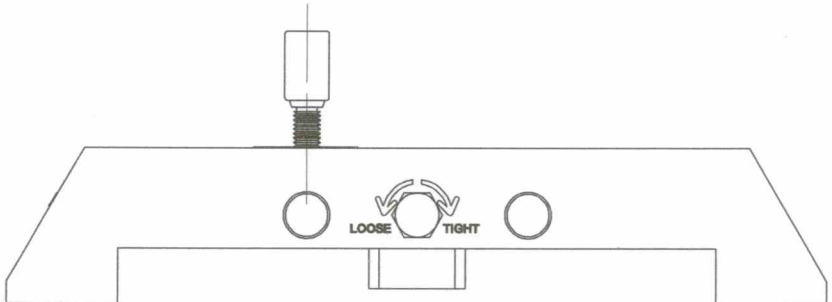
C

D

SCIKIT-BASIC



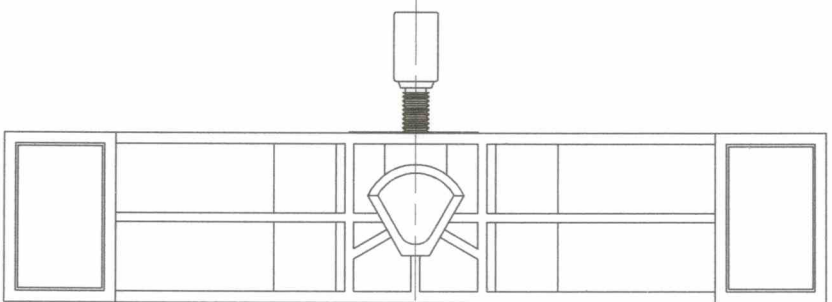
TOP VIEW



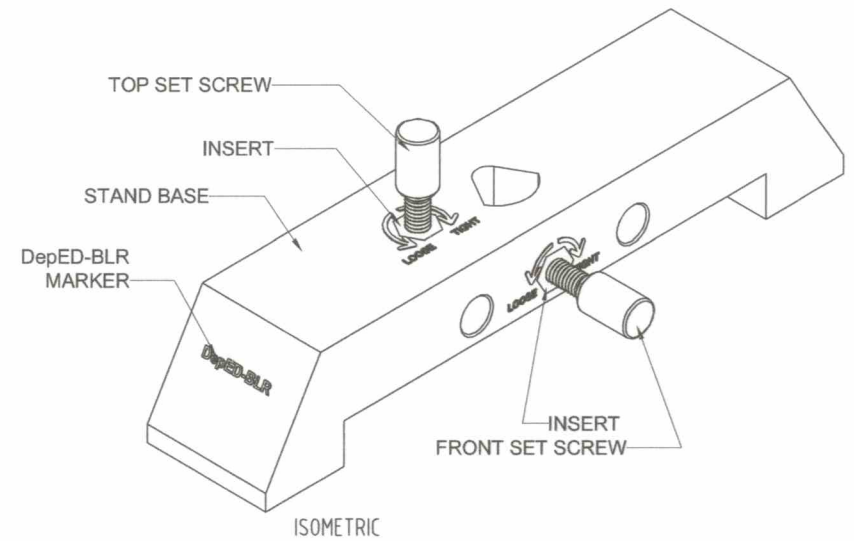
FRONT VIEW

1.0 +0.05 100%

RUBBER SOLE



BOTTOM VIEW



*Dimensions are in millimeters except otherwise specified.

TOLERANCES FOR LENGTH GAUGING


| Grade of Accuracy | Nominal Size | 0.5 to 3 | Over 3 to 6 | Over 6 to 30 | Over 30 to 120 | Over 120 to 400 |
|-------------------|--------------|----------|-------------|--------------|----------------|-----------------|
| Medium | | ± 0.10 | ± 0.10 | ± 0.20 | ± 0.30 | ± 0.50 |

TOLERANCES FOR RADIUS & CHAMFERS

| Grade of Accuracy | Nominal Size | 0.5 to 3 | Over 3 to 6 | Over 6 to 30 | Over 30 to 120 |
|-------------------|--------------|----------|-------------|--------------|----------------|
| Smooth Medium | | ± 0.20 | ± 0.50 | ± 1.00 | ± 2.00 |

SYM REVISION DATE BY

GOVERNMENT PROPERTY

| | | | | |
|-------------------|---------------|--|-------------|-----------------------|
| Date | SEPT 2021 | Scale | NTS | <h1>STAND BASE</h1> |
| Conceptualized by | | | | |
| Drawn by | B.C. Lisondra | Item Name | ASSEMBLY | Sheet 1/9 |
| Designed by | | Q.C. Checked by | J.N. Arioja | File name stndbas2007 |
| Recommended by | A.B. Ybañez |  <h2>DepED-BLR</h2> | | |
| Approved by | R. C. La Rosa | | | |

1

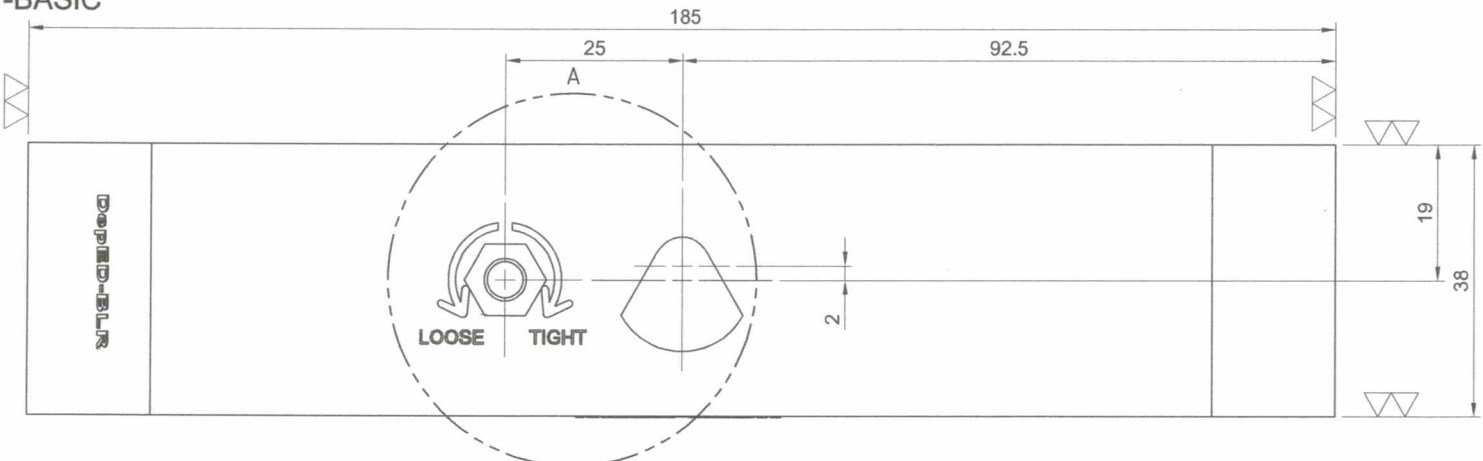
2

3

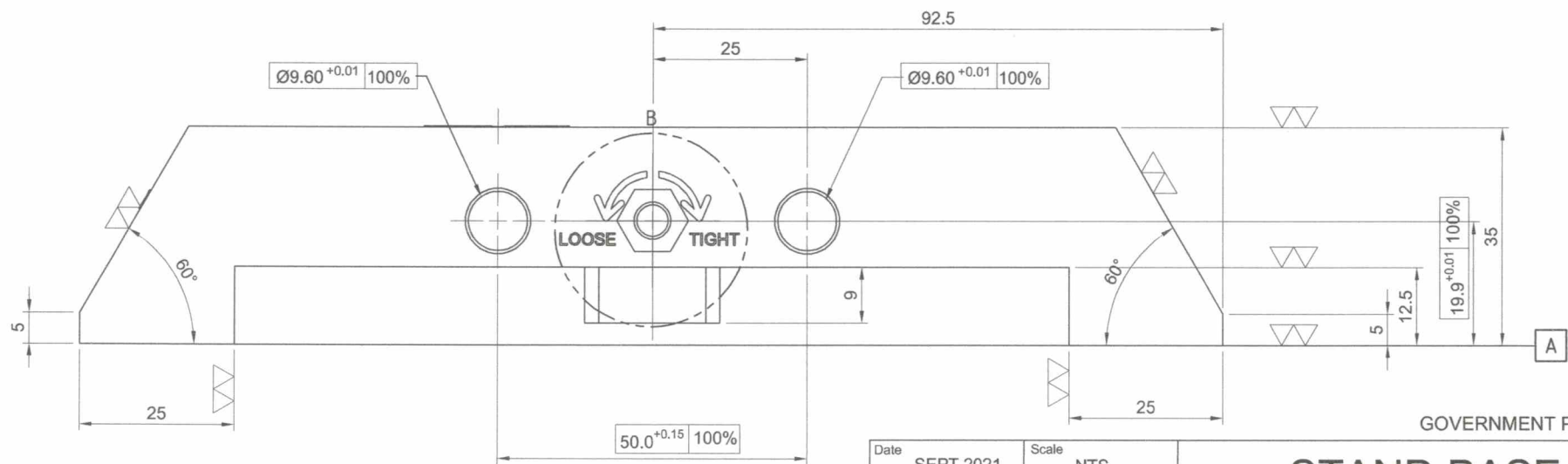
4

6

SCIKIT-BASIC



TOP VIEW



FRONT VIEW

NOTE:
 Dimensions are in millimeters except otherwise specified.
 Remove sharp edges.
 Surface Roughness: $\nabla\nabla\nabla$ 0.70 to 0.80/ μ m (inner)
 $\nabla\nabla$ 1.00 to 1.20/ μ m (outer)

GOVERNMENT PROPERTY

| | | | |
|-------------------|-----------------|-------|-----|
| Date | SEPT 2021 | Scale | NTS |
| Conceptualized by | | | |
| Drawn by | B.C. Lisondra | | |
| Designed by | Q.C. Checked by | | |
| | J.N. Arioja | | |
| Recommended by | A.B. Ybañez | | |
| Approved by | R. C. La Rosa | | |

STAND BASE

| | | | |
|-----------|--------------------------------|-----------|-------------|
| Item Name | STAND BASE - BODY with INSERTS | Sheet | 2/9 |
| Material | ABS-Thermoplastic, Color:GREEN | File name | stndbas2007 |

DepED-BLR

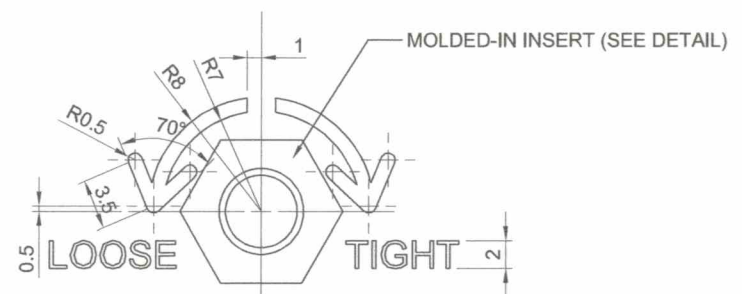
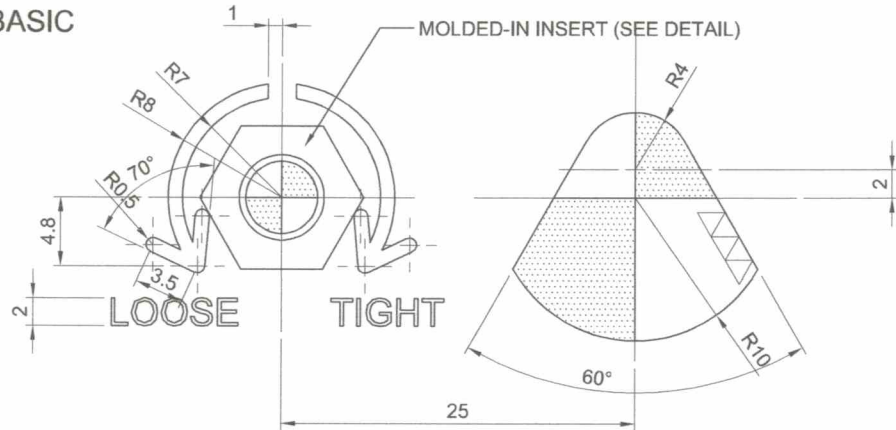


| TOLERANCES FOR LENGTH GAUGING | | | | | | |
|-------------------------------|--------------|------------|-------------|--------------|----------------|-----------------|
| Grade of Accuracy | Nominal Size | 0.5 to 3 | Over 3 to 6 | Over 6 to 30 | Over 30 to 120 | Over 120 to 400 |
| Medium | | ± 0.10 | ± 0.10 | ± 0.20 | ± 0.30 | ± 0.50 |

| TOLERANCES FOR RADIUS & CHAMFERS | | | | | |
|----------------------------------|--------------|------------|-------------|--------------|----------------|
| Grade of Accuracy | Nominal Size | 0.5 to 3 | Over 3 to 6 | Over 6 to 30 | Over 30 to 120 |
| Smooth | | ± 0.20 | ± 0.50 | ± 1.00 | ± 2.00 |
| Medium | | ± 0.20 | ± 0.50 | ± 1.00 | ± 2.00 |

| SYM | REVISION | DATE | BY |
|-----|----------|------|----|
| | | | |

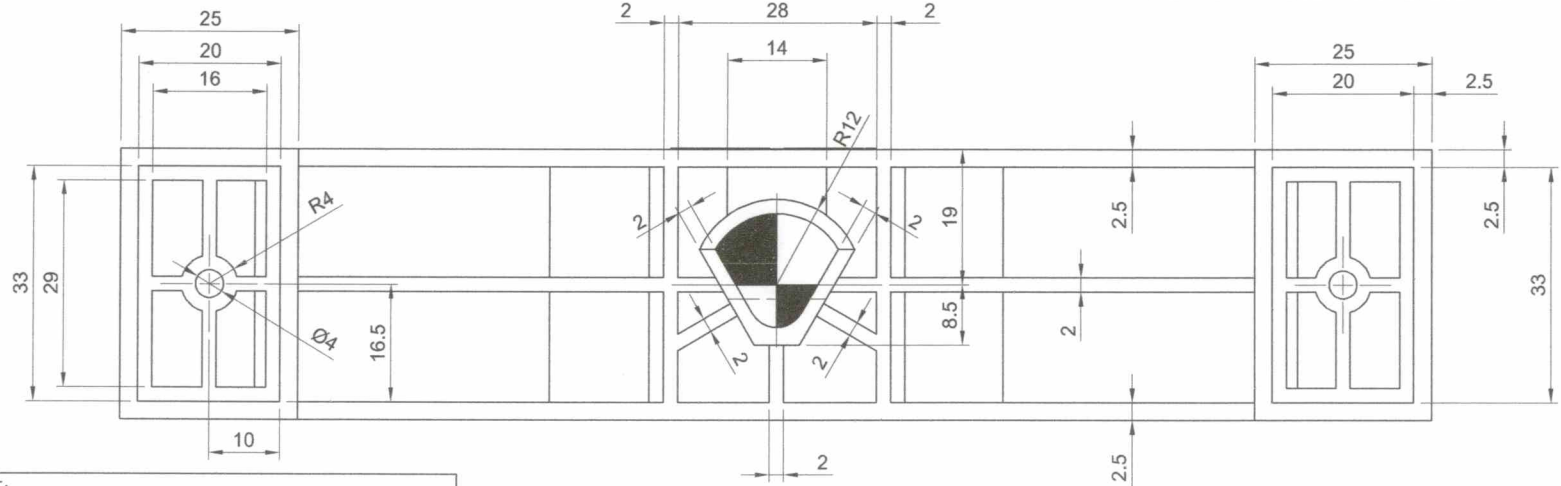
SCIKIT-BASIC



"LOOSE" / "TIGHT" Marker
Emboss Height = 0.2mm
Font Type = Arial

SPOT DETAIL "A"

SPOT DETAIL "B"



BOTTOM VIEW

GOVERNMENT PROPERTY

NOTE:
Dimensions are in millimeters
except otherwise specified.
File sharp edges.
Surface Roughness: $\sqrt{1.20}$ to $1.40 \mu m$

| TOLERANCES FOR LENGTH GAUGING | | | | | | |
|-------------------------------|--------------|------------|-------------|--------------|----------------|-----------------|
| Grade of Accuracy | Nominal Size | 0.5 to 3 | Over 3 to 6 | Over 6 to 30 | Over 30 to 120 | Over 120 to 400 |
| Medium | | ± 0.10 | ± 0.10 | ± 0.20 | ± 0.30 | ± 0.50 |

| TOLERANCES FOR RADIUS & CHAMFERS | | | | | |
|----------------------------------|--------------|------------|-------------|--------------|----------------|
| Grade of Accuracy | Nominal Size | 0.5 to 3 | Over 3 to 6 | Over 6 to 30 | Over 30 to 120 |
| Smooth Medium | | ± 0.20 | ± 0.50 | ± 1.00 | ± 2.00 |

| SYM | REVISION | DATE | BY |
|-----|----------|------|----|
| | | | |

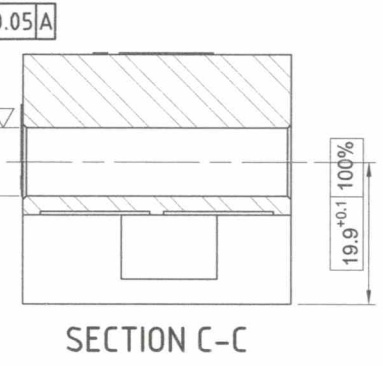
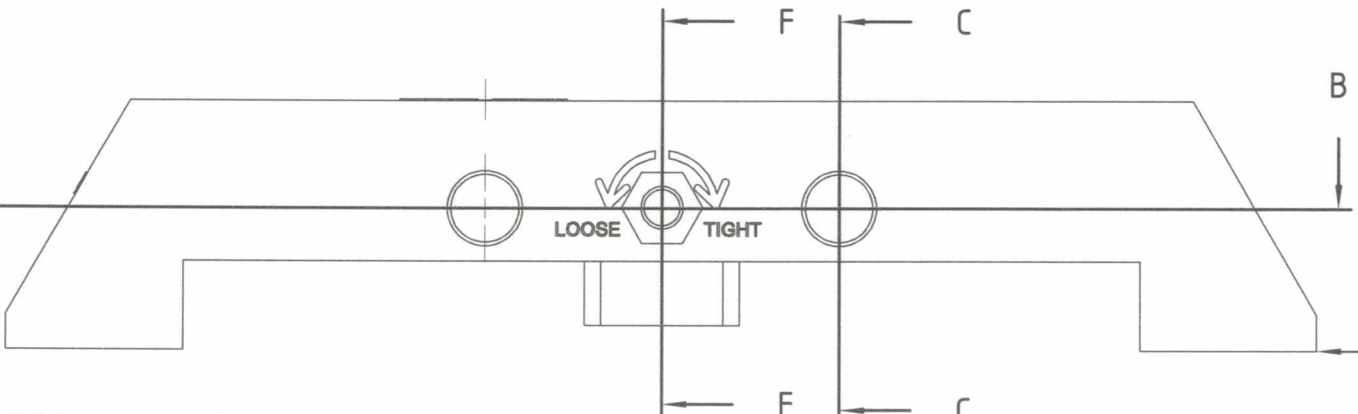
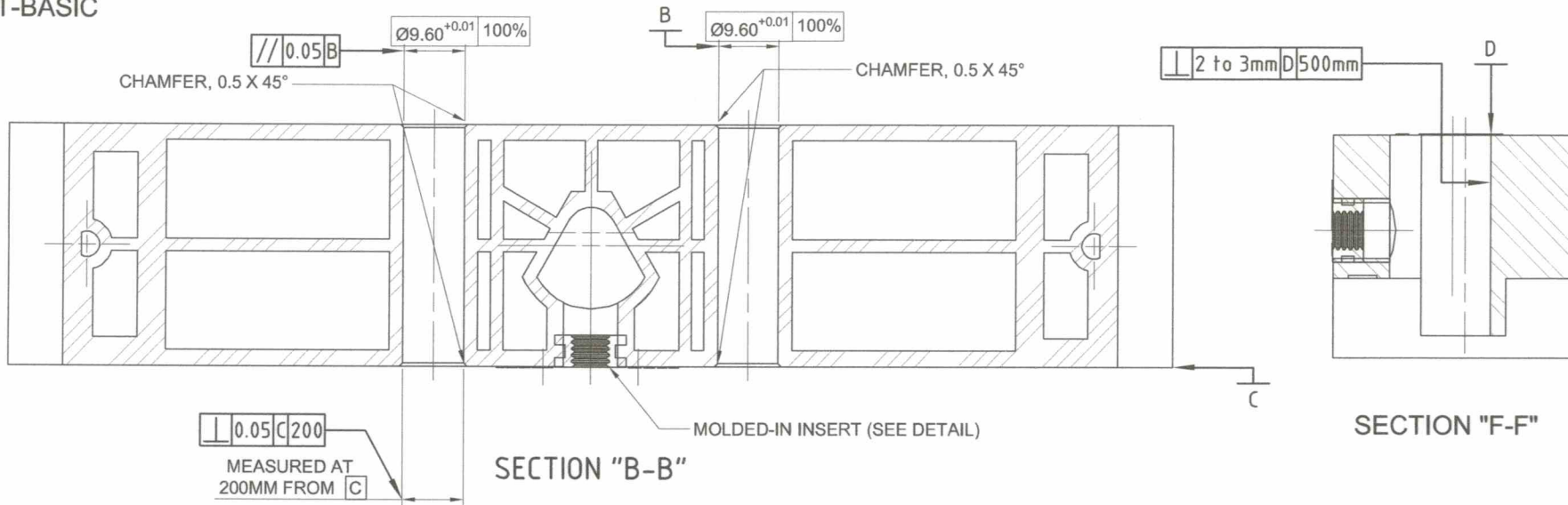
| | | | |
|-------------------|---------------|-------|-----|
| Date | SEPT 2021 | Scale | NTS |
| Conceptualized by | | | |
| Drawn by | B.C. Lisonda | | |
| Designed by | | | |
| Checked by | J.N. Ariola | | |
| Recommended by | A.B. Ybañez | | |
| Approved by | R. C. La Rosa | | |

STAND BASE

| | | | |
|-----------|--------------------------------|-----------|-------------|
| Item Name | STAND BASE - BODY with INSERTS | Sheet | 3/9 |
| Material | ABS-Thermoplastic, Color:GREEN | File name | stndbas2007 |

DepED-BLR

SCIKIT-BASIC



NOTE:
 Dimensions are in millimeters except otherwise specified.
 Remove sharp edges.
 Surface Roughness: $\nabla\nabla$ 0.70 to 0.80 μ m (inner)
 $\nabla\nabla$ 1.00 to 1.20 μ m (outer)

| TOLERANCES FOR LENGTH GAUGING | | | | | | |
|-------------------------------|--------------|------------|-------------|--------------|----------------|-----------------|
| Grade of Accuracy | Nominal Size | 0.5 to 3 | Over 3 to 6 | Over 6 to 30 | Over 30 to 120 | Over 120 to 400 |
| Medium | | ± 0.10 | ± 0.10 | ± 0.20 | ± 0.30 | ± 0.50 |

| TOLERANCES FOR RADIUS & CHAMFERS | | | | | |
|----------------------------------|--------------|------------|-------------|--------------|----------------|
| Grade of Accuracy | Nominal Size | 0.5 to 3 | Over 3 to 6 | Over 6 to 30 | Over 30 to 120 |
| Smooth | | ± 0.20 | ± 0.50 | ± 1.00 | ± 2.00 |
| Medium | | ± 0.20 | ± 0.50 | ± 1.00 | ± 2.00 |


| SYM | REVISION | DATE | BY |
|-----|----------|------|----|
| | | | |

| | | | |
|-------------------|-----------------|-------|-----|
| Date | SEPT 2021 | Scale | NTS |
| Conceptualized by | | | |
| Drawn by | B.C. Lisondra | | |
| Designed by | Q.C. Checked by | | |
| | J.N. Arjoia | | |
| Recommended by | A.B. Ybañez | | |
| Approved by | R. C. La Rosa | | |

GOVERNMENT PROPERTY

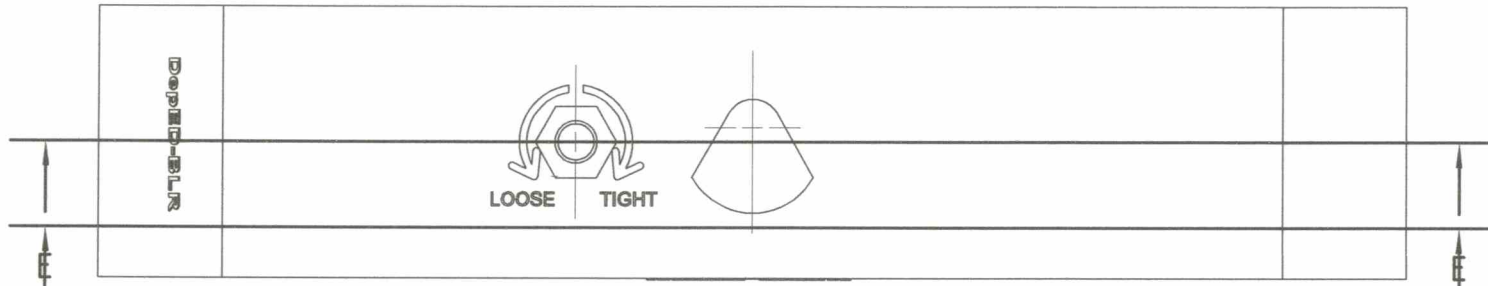
STAND BASE

| | | | |
|-----------|--------------------------------|-----------|-------------|
| Item Name | STAND BASE - BODY with INSERTS | Sheet | 4/9 |
| Material | ABS-Thermoplastic, Color:GREEN | File name | stndbas2007 |



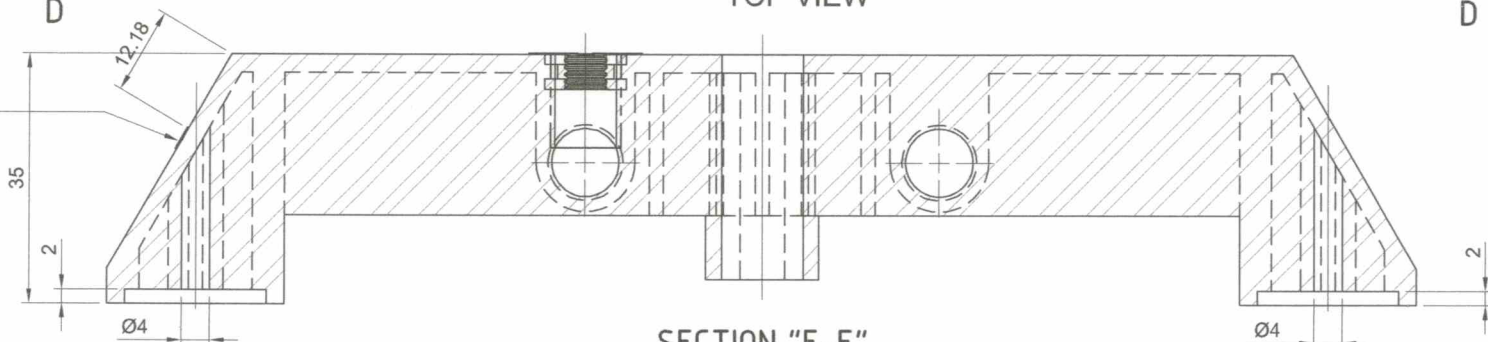
DepED-BLR

SCIKIT-BASIC

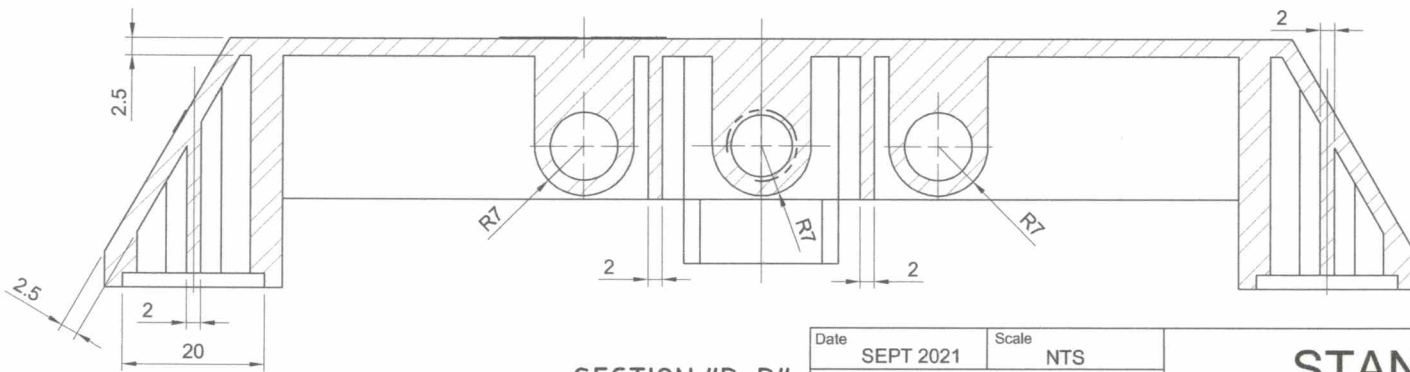


TOP VIEW

Embossed DepED-BLR Marker



SECTION "E-E"



SECTION "D-D"

GOVERNMENT PROPERTY

| | | | |
|-------------------|-----------------|-------|-----|
| Date | SEPT 2021 | Scale | NTS |
| Conceptualized by | | | |
| Drawn by | B.C. Lisondra | | |
| Designed by | Q.C. Checked by | | |
| Recommended by | J.N. Arioja | | |
| Approved by | A.B. Ybañez | | |
| | R. C. La Rosa | | |

| | |
|-------------------|--------------------------------|
| STAND BASE | |
| Item Name | STAND BASE - BODY with INSERTS |
| Material | ABS-Thermoplastic, Color:GREEN |
| Sheet | 5/9 |
| File name | stndbas2007 |
| DepED-BLR | |

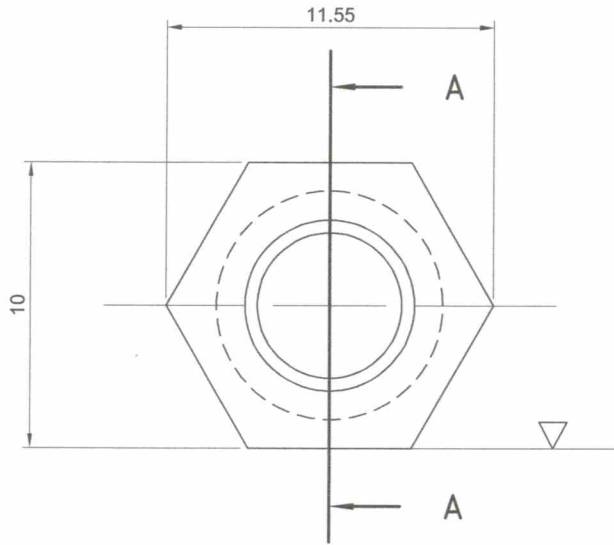
| TOLERANCES FOR LENGTH GAUGING | | | | | | |
|-------------------------------|--------------|----------|-------------|--------------|----------------|-----------------|
| Grade of Accuracy | Nominal Size | 0.5 to 3 | Over 3 to 6 | Over 6 to 30 | Over 30 to 120 | Over 120 to 400 |
| Medium | | ± 0.10 | ± 0.10 | ± 0.20 | ± 0.30 | ± 0.50 |

| TOLERANCES FOR RADIUS & CHAMFERS | | | | | |
|----------------------------------|--------------|----------|-------------|--------------|----------------|
| Grade of Accuracy | Nominal Size | 0.5 to 3 | Over 3 to 6 | Over 6 to 30 | Over 30 to 120 |
| Smooth Medium | | ± 0.20 | ± 0.50 | ± 1.00 | ± 2.00 |

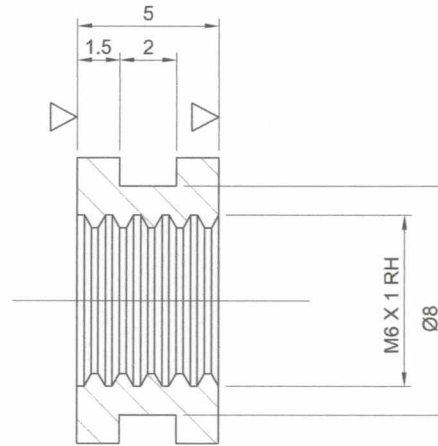
| SYM | REVISION | DATE | BY |
|-----|----------|------|----|
| | | | |



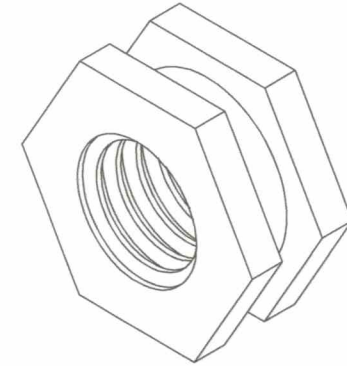
SCIKIT-BASIC



FRONT VIEW



SECTION A-A



ISOMETRIC

- ×Dimensions are in millimeters except otherwise specified.
- ×Smoothen sharp edges.
- ×Surface Roughness: 1.2 to 1.4 μm.

GOVERNMENT PROPERTY

STAND BASE

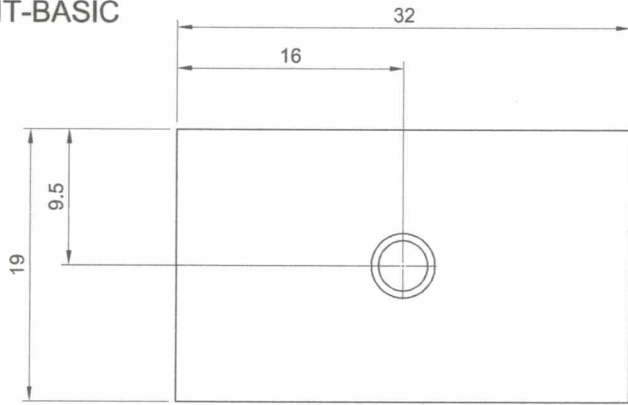
| TOLERANCES FOR LENGTH GAUGING | | | | | | |
|-------------------------------|--------------|----------|-------------|--------------|----------------|-----------------|
| Grade of Accuracy | Nominal Size | 0.5 to 3 | Over 3 to 6 | Over 6 to 30 | Over 30 to 120 | Over 120 to 400 |
| Medium | | ± 0.10 | ± 0.10 | ± 0.20 | ± 0.30 | ± 0.50 |

| TOLERANCES FOR RADIUS & CHAMFERS | | | | | |
|----------------------------------|--------------|----------|-------------|--------------|----------------|
| Grade of Accuracy | Nominal Size | 0.5 to 3 | Over 3 to 6 | Over 6 to 30 | Over 30 to 120 |
| Smooth Medium | | ± 0.20 | ± 0.50 | ± 1.00 | ± 2.00 |

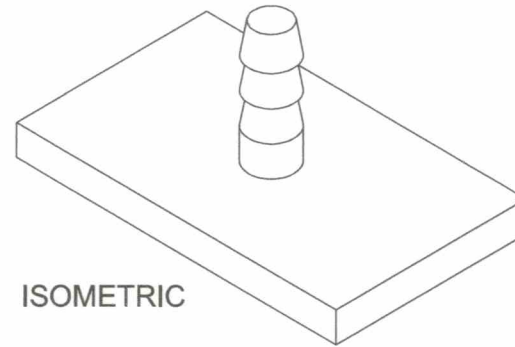
| | | | |
|-------------------|---------------|---|---------------------|
| Date | SEPT 2021 | Scale | NTS |
| Conceptualized by | | | |
| Drawn by | B.C. Lisondra | Item Name | INSERT (THREADED) |
| Designed by | | Material | STAINLESS STEEL 304 |
| Checked by | J.N. Yrijo | Sheet | 6/9 |
| Recommended by | A.B. Ybañez | File name | stndbas2007 |
| Approved by | R. C. La Rosa |  <p>DepED-BLR</p> | |

| SYM | REVISION | DATE | BY |
|-----|----------|------|----|
| | | | |

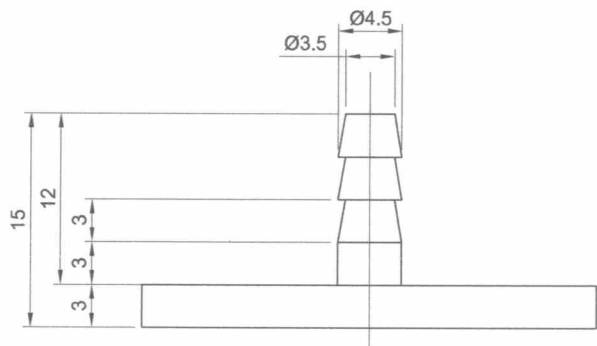
SCIKIT-BASIC



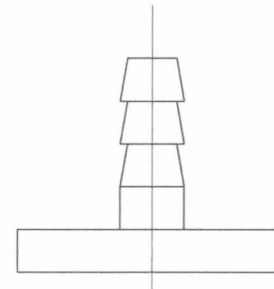
TOP VIEW



ISOMETRIC



FRONT VIEW



RIGHT SIDE VIEW

GOVERNMENT PROPERTY

*Dimensions are in millimeters except otherwise specified.
 *Surface Roughness: Smooth, free from tear

TOLERANCES FOR LENGTH GAUGING

| Grade of Accuracy | Nominal Size | 0.5 to 3 | Over 3 to 6 | Over 6 to 30 | Over 30 to 120 | Over 120 to 400 |
|-------------------|--------------|------------|-------------|--------------|----------------|-----------------|
| Medium | | ± 0.10 | ± 0.10 | ± 0.20 | ± 0.30 | ± 0.50 |

TOLERANCES FOR RADIUS & CHAMFERS

| Grade of Accuracy | Nominal Size | 0.5 to 3 | Over 3 to 6 | Over 6 to 30 | Over 30 to 120 |
|-------------------|--------------|------------|-------------|--------------|----------------|
| Smooth Medium | | ± 0.20 | ± 0.50 | ± 1.00 | ± 2.00 |

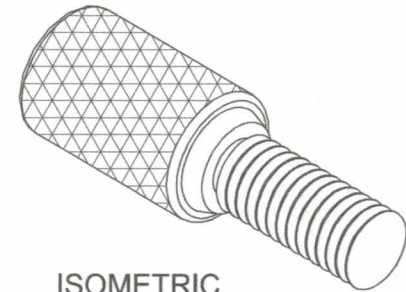
SYM REVISION DATE BY

| | | | |
|-------------------|-----------------|-------|-----|
| Date | SEPT 2021 | Scale | NTS |
| Conceptualized by | | | |
| Drawn by | B.C. Lisondra | | |
| Designed by | Q.C. Checked by | | |
| | J.N. Arioja | | |
| Recommended by | A.B. Ybañez | | |
| Approved by | R. C. La Rosa | | |

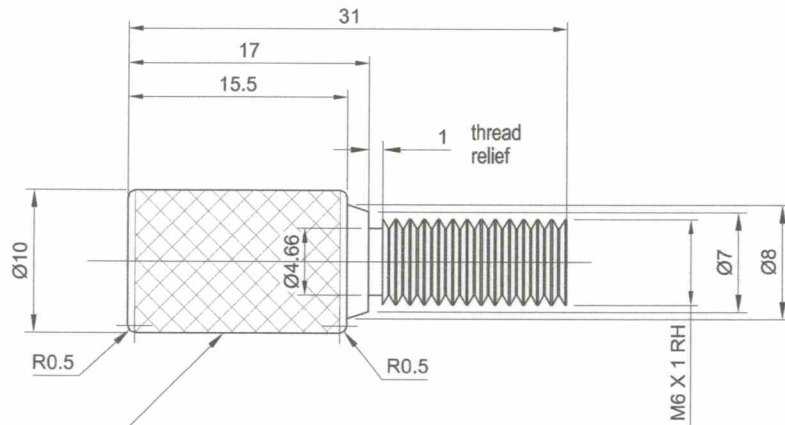
| | |
|-------------------|----------------------------------|
| STAND BASE | |
| Item Name | RUBBER SOLE |
| Material | BLACK RUBBER, 50 TO 60 DUROMETER |
| Sheet | 7/9 |
| File name | stndbas2007 |
| DepED-BLR | |



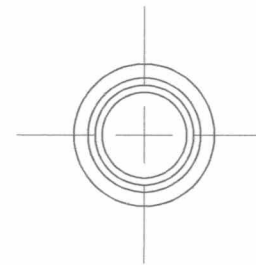
SCIKIT-BASIC



ISOMETRIC



LEFT SIDE VIEW



FRONT VIEW

0.8 pitch Raised Diamond knurl, 75% to full depth

GOVERNMENT PROPERTY

*Dimensions are in millimeters except otherwise specified.

*Smoothen sharp edges.

*Surface Roughness: 1.0 to 1.2 Um.

TOLERANCES FOR LENGTH GAUGING

| Grade of Accuracy | Nominal Size | 0.5 to 3 | Over 3 to 6 | Over 6 to 30 | Over 30 to 120 | Over 120 to 400 |
|-------------------|--------------|------------|-------------|--------------|----------------|-----------------|
| Medium | | ± 0.10 | ± 0.10 | ± 0.20 | ± 0.30 | ± 0.50 |

TOLERANCES FOR RADIUS & CHAMFERS

| Grade of Accuracy | Nominal Size | 0.5 to 3 | Over 3 to 6 | Over 6 to 30 | Over 30 to 120 |
|-------------------|--------------|------------|-------------|--------------|----------------|
| Smooth Medium | | ± 0.20 | ± 0.50 | ± 1.00 | ± 2.00 |

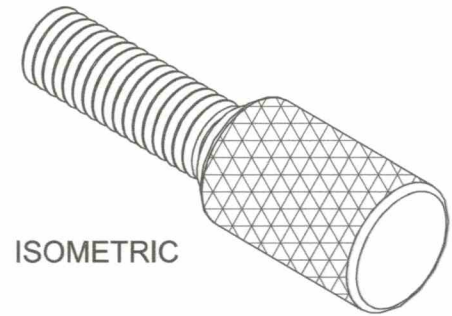
| SYM | REVISION | DATE | BY |
|-----|----------|------|----|
| | | | |

| | | | |
|-------------------|-----------------|-------|-----|
| Date | SEPT 2021 | Scale | NTS |
| Conceptualized by | | | |
| Drawn by | B.C. Lisondra | | |
| Designed by | Q.C. Checked by | | |
| | J.N. Aricja | | |
| Recommended by | A.B. Ybañez | | |
| Approved by | R. C. La Rosa | | |

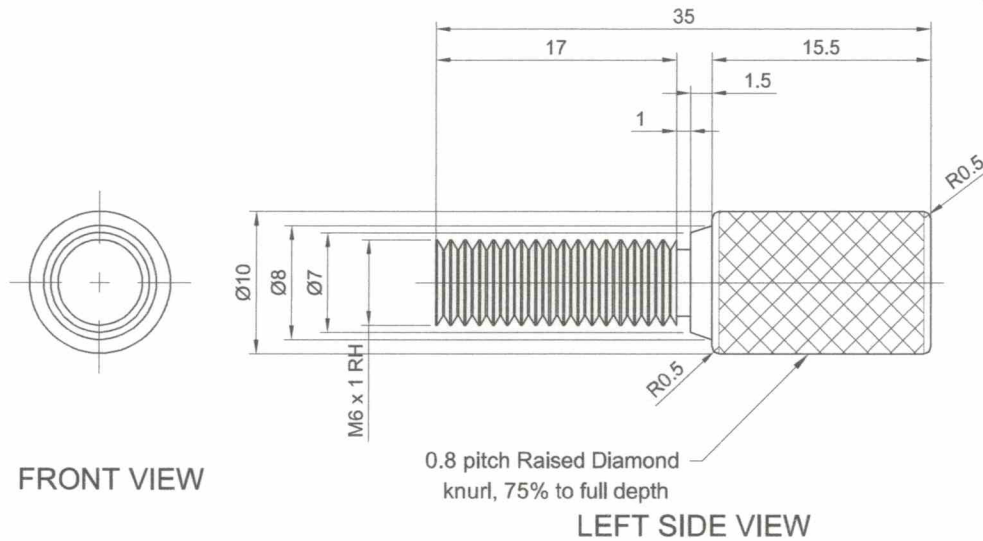
| | |
|-------------------|--------------------------------------|
| STAND BASE | |
| Item Name | TOP SET SCREW |
| Material | ALUM-BRONZE, SAE 701B, CHROME PLATED |
| Sheet | 8/9 |
| File name | stndbas2007 |
| DepED-BLR | |



SCIKIT-BASIC



ISOMETRIC



FRONT VIEW

LEFT SIDE VIEW

0.8 pitch Raised Diamond knurl, 75% to full depth

*Dimensions are in millimeters except otherwise specified.

*Smoothen sharp edges.

*Surface Roughness: 1.0 to 1,2 Um.

GOVERNMENT PROPERTY

STAND BASE

TOLERANCES FOR LENGTH GAUGING

| Grade of Accuracy | Nominal Size | 0.5 to 3 | Over 3 to 6 | Over 6 to 30 | Over 30 to 120 | Over 120 to 400 |
|-------------------|--------------|----------|-------------|--------------|----------------|-----------------|
| Medium | | ± 0.10 | ± 0.10 | ± 0.20 | ± 0.30 | ± 0.50 |

TOLERANCES FOR RADIUS & CHAMFERS

| Grade of Accuracy | Nominal Size | 0.5 to 3 | Over 3 to 6 | Over 6 to 30 | Over 30 to 120 |
|-------------------|--------------|----------|-------------|--------------|----------------|
| Smooth Medium | | ± 0.20 | ± 0.50 | ± 1.00 | ± 2.00 |

SYM REVISION DATE BY

| | | | |
|-------------------|-----------------|-------------|-----|
| Date | SEPT 2021 | Scale | NTS |
| Conceptualized by | | | |
| Drawn by | B.C. Lisondra | | |
| Designed by | Q.C. Checked by | J.N. Arrija | |
| Recommended by | A.B. Ybañez | | |
| Approved by | R. C. La Rosa | | |

| | | | |
|-----------|--------------------------------------|-----------|-------------|
| Item Name | FRONT SET SCREW | Sheet | 9/9 |
| Material | ALUM-BRONZE, SAE 701B, CHROME PLATED | File name | stndbas2007 |



DepED-BLR