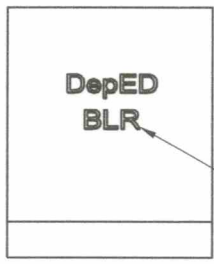
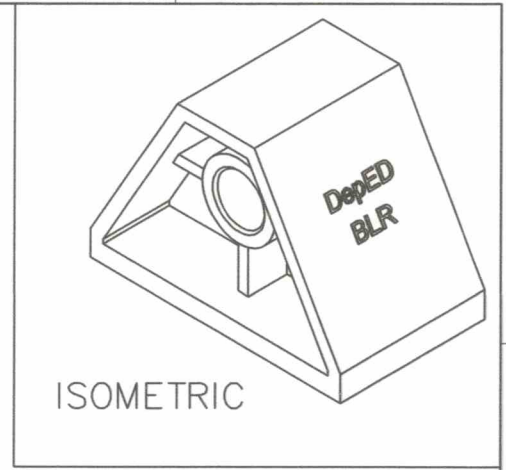
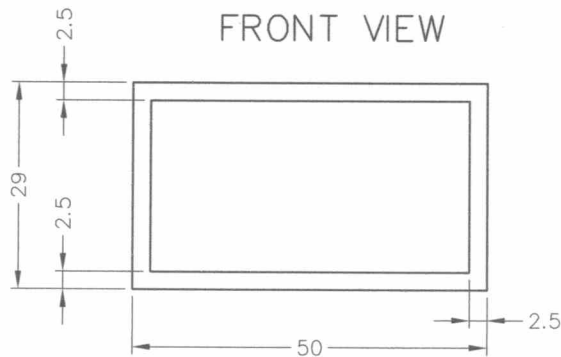
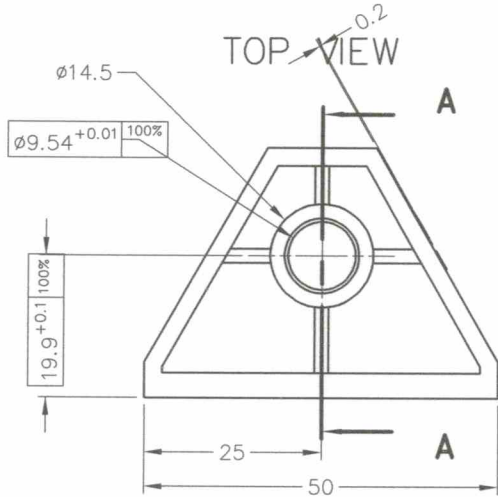
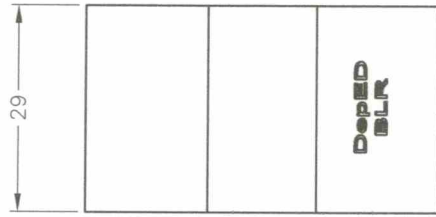



SCIKIT-BASIC



Embossed DepED-BLR label
 Font type : Arial - Normal
 Font Height : 3mm
 Emboss Height : 0.2mm

NOTE:
 Dimensions are in millimeters.
 except otherwise specified.
 Remove sharp edges.
 Surface Roughness: $\sqrt{\sqrt{0.70}}$ to $\sqrt{\sqrt{0.80}}$ m (inner)
 $\sqrt{\sqrt{1.00}}$ to $\sqrt{\sqrt{1.20}}$ m (outer)

GOVERNMENT PROPERTY

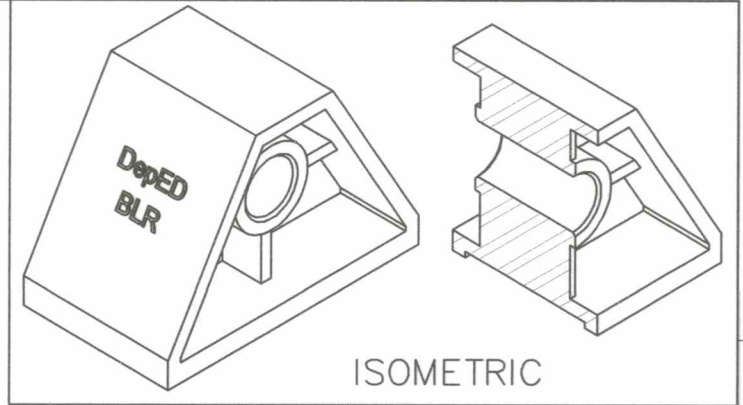
Date	SEPT 2021	Scale	NTS
Conceptualized by			
Drawn by	B.C. Lisonda	Item Name	STAND SUPPORT
Designed by	J.N. Arioja	Material	ABS PLASTIC
Checked by	A.B. Ybañez	Sheet	1/3
Recommended by	R. C. La Rosa	File name	stnd_sprt.dwg
Approved by		 DepED-BLR	

TOLERANCES FOR LENGTH GAUGING						
Grade of Accuracy	Nominal Size	0.5 to 3	Over 3 to 6	Over 6 to 30	Over 30 to 120	Over 120 to 400
Medium		± 0.10	± 0.10	± 0.20	± 0.30	± 0.50

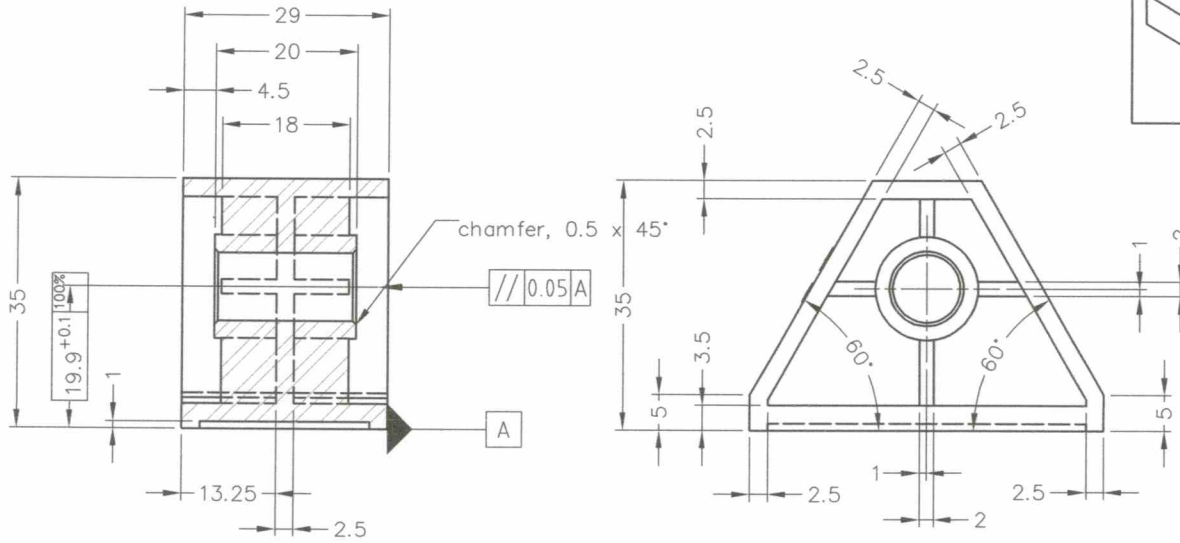
TOLERANCES FOR RADIUS & CHAMFERS					
Grade of Accuracy	Nominal Size	0.5 to 3	Over 3 to 6	Over 6 to 30	Over 30 to 120
Smooth		± 0.20	± 0.50	± 1.00	± 2.00
Medium		± 0.20	± 0.50	± 1.00	± 2.00

SYM	REVISION	DATE	BY

SCIKIT-BASIC



ISOMETRIC



SECTION "A-A"

REAR VIEW

NOTE:
 Dimensions are in millimeters.
 except otherwise specified.
 Remove sharp edges.
 Surface Roughness: $\sqrt{0.70}$ to $\sqrt{0.80}$ m (inner)
 $\sqrt{1.00}$ to $\sqrt{1.20}$ m (outer)

GOVERNMENT PROPERTY

TOLERANCES FOR LENGTH GAUGING						
Grade of Accuracy	Nominal Size	Over 0.5 to 3	Over 3 to 6	Over 6 to 30	Over 30 to 120	Over 120 to 400
Medium		± 0.10	± 0.10	± 0.20	± 0.30	± 0.50

TOLERANCES FOR RADIUS & CHAMFERS					
Grade of Accuracy	Nominal Size	Over 0.5 to 3	Over 3 to 6	Over 6 to 30	Over 30 to 120
Smooth Medium		± 0.20	± 0.50	± 1.00	± 2.00

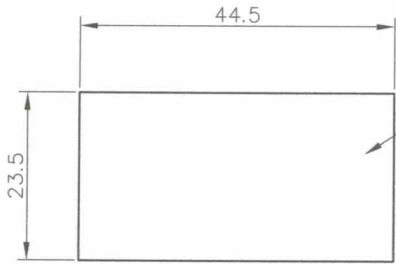
SYM	REVISION	DATE	BY

Date	SEPT 2021	Scale	NTS
Conceptualized by			
Drawn by	B.C. Lisondra		Item Name
Designed by			STAND SUPPORT
	Q.C. Checked by		Sheet
	J.N. Arioja		2/3
			Material
			ABS PLASTIC
			File name
			stnd_sprt.dwg
Recommended by	A.B. Ybañez		
Approved by	R. C. La Rosa		

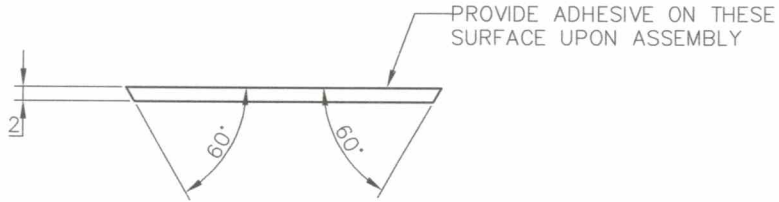


DepED-BLR

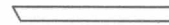
SCIKIT-BASIC



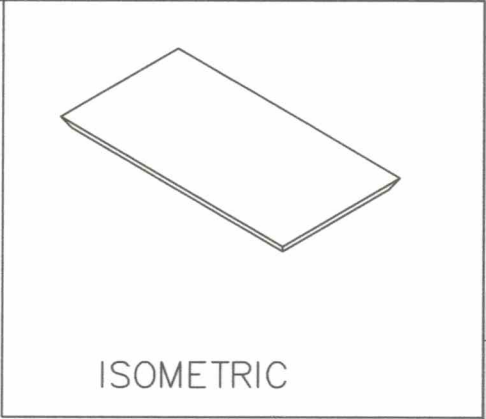
TOP VIEW



FRONT VIEW




SIDE VIEW



ISOMETRIC

NOTE:
Dimensions are in millimeters.
except otherwise specified.

GOVERNMENT PROPERTY

Date JUNE 2021	Scale NTS	STAND SUPPORT	
Conceptualized by			
Drawn by B.C. Lisondra	Designed by C.C. Checked by J.N. Arioja	Material 2MM THK. SOFT RUBBER, Color: Black	File name stnd_sprt.dwg
Recommended by A.B. Ybañez		 DepED-BLR	
Approved by R. C. La Rosa			

TOLERANCES FOR LENGTH GAUGING						
Grade of Accuracy	Nominal Size	0.5 to 3	Over 3 to 6	Over 6 to 30	Over 30 to 120	Over 120 to 400
Medium		± 0.10	± 0.10	± 0.20	± 0.30	± 0.50

TOLERANCES FOR RADIUS & CHAMFERS					
Grade of Accuracy	Nominal Size	0.5 to 3	Over 3 to 6	Over 6 to 30	Over 30 to 120
Smooth		± 0.20	± 0.50	± 1.00	± 2.00
Medium					

SYM	REVISION	DATE	BY