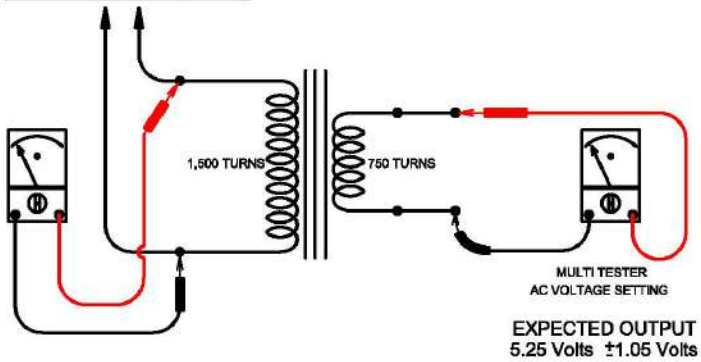


## STEP DOWN DIAGRAM & TOLERANCE VALUE

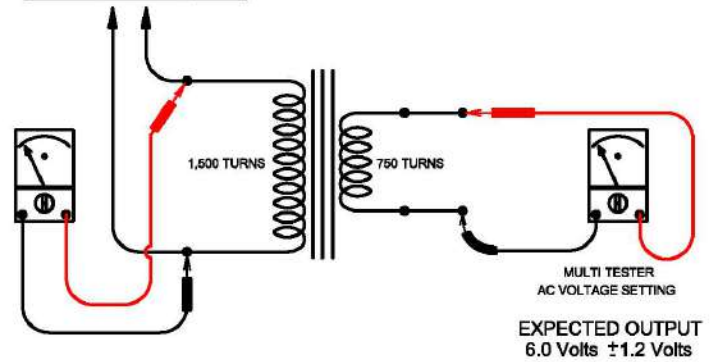
FED POWER FROM VARIABLE POWER SUPPLY

10.5 Volts Input AC Voltage Setting



FED POWER FROM VARIABLE POWER SUPPLY

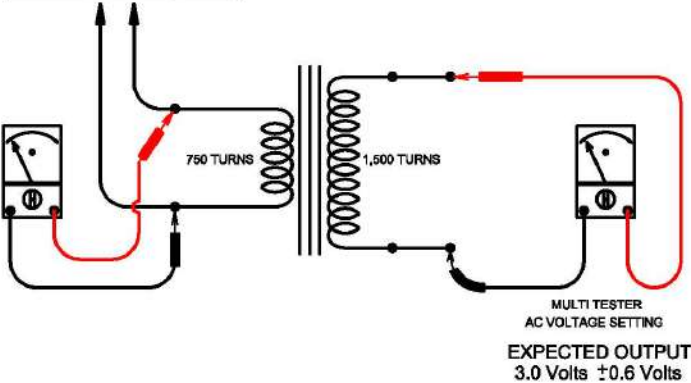
12 Volts Input AC Voltage Setting



# STEP UP DIAGRAM & TOLERANCE VALUE

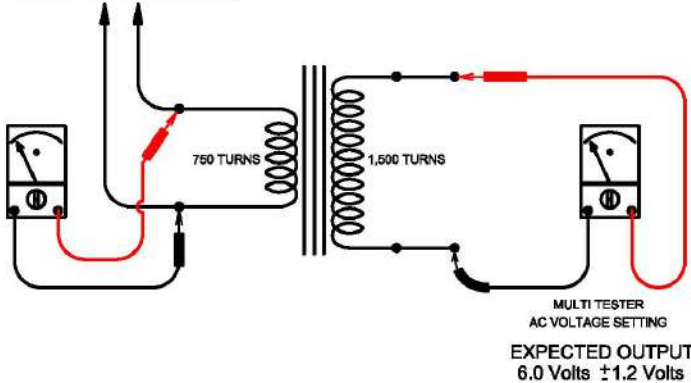
FED POWER FROM VARIABLE POWER SUPPLY

1.5 Volts Input AC Voltage Setting



FED POWER FROM VARIABLE POWER SUPPLY

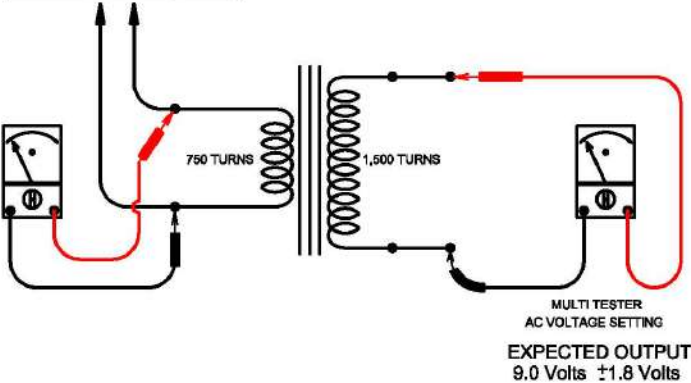
3 Volts Input AC Voltage Setting



# STEP UP DIAGRAM & TOLERANCE VALUE

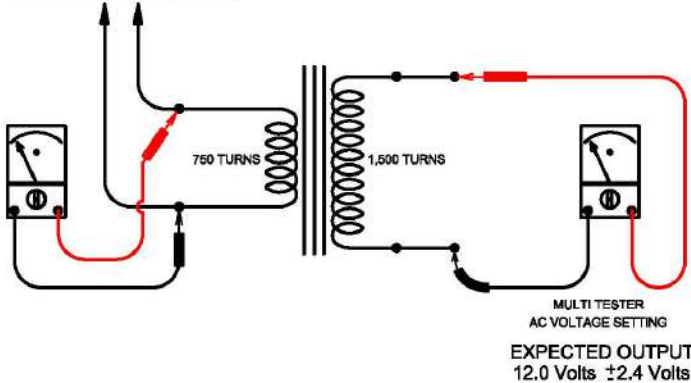
FED POWER FROM VARIABLE POWER SUPPLY

4.5 Volts Input AC Voltage Setting



FED POWER FROM VARIABLE POWER SUPPLY

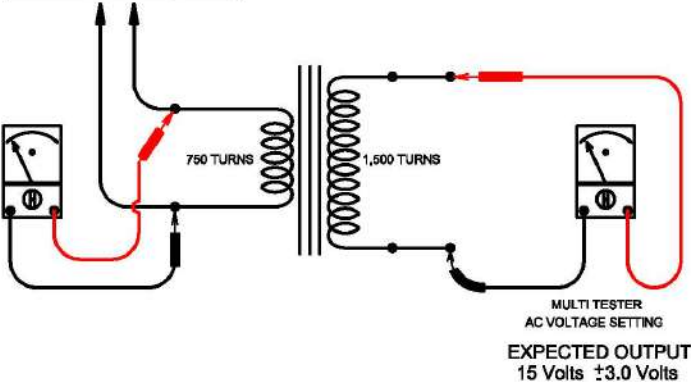
6 Volts Input AC Voltage Setting



# STEP UP DIAGRAM & TOLERANCE VALUE

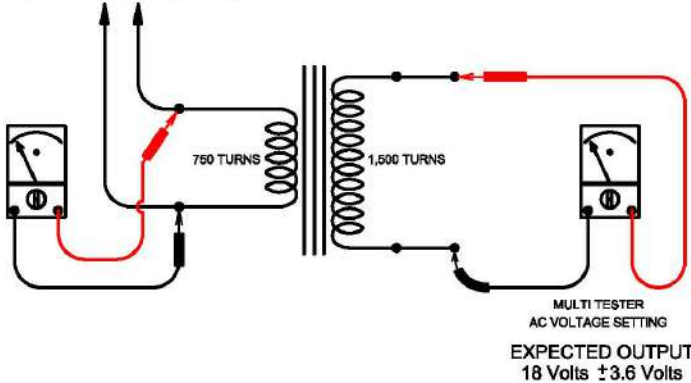
FED POWER FROM VARIABLE POWER SUPPLY

7.5 Volts Input AC Voltage Setting



FED POWER FROM VARIABLE POWER SUPPLY

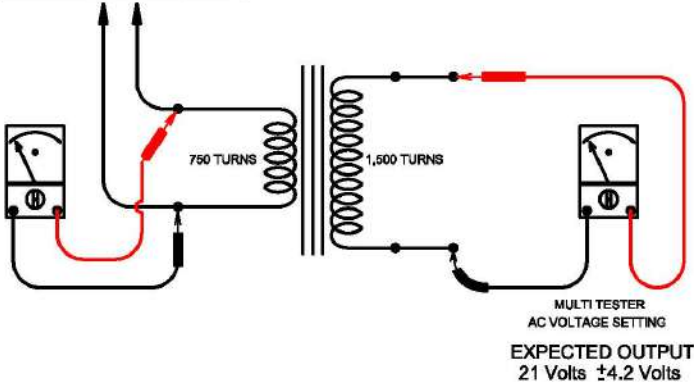
9 Volts Input AC Voltage Setting



# STEP UP DIAGRAM & TOLERANCE VALUE

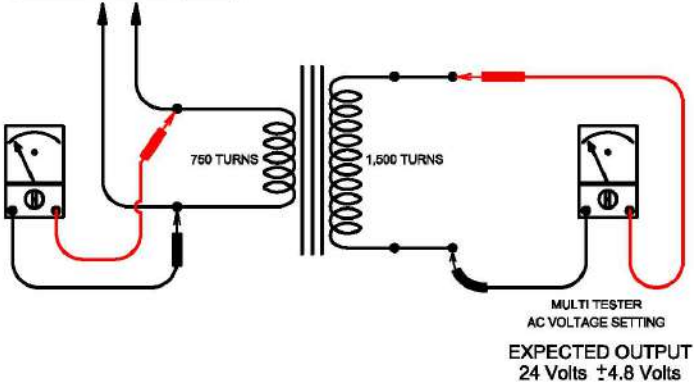
FED POWER FROM VARIABLE POWER SUPPLY

10.5 Volts Input AC Voltage Setting



FED POWER FROM VARIABLE POWER SUPPLY

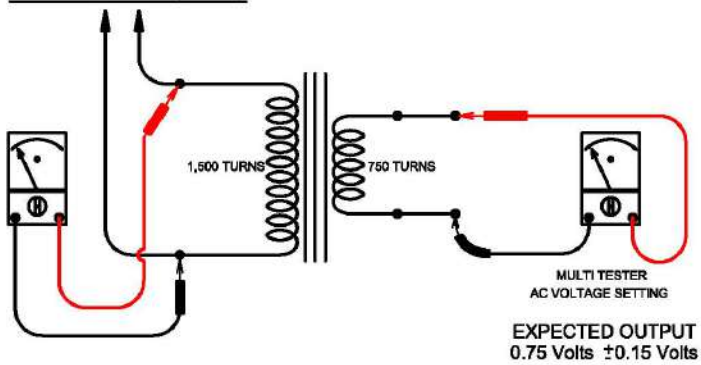
12 Volts Input AC Voltage Setting



## STEP DOWN DIAGRAM & TOLERANCE VALUE

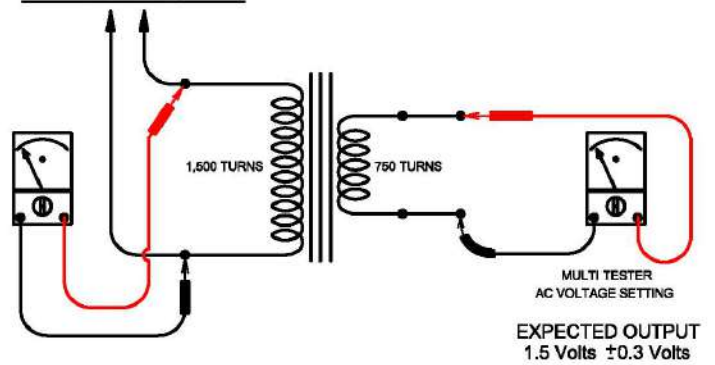
FED POWER FROM VARIABLE POWER SUPPLY

1.5 Volts Input AC Voltage Setting



FED POWER FROM VARIABLE POWER SUPPLY

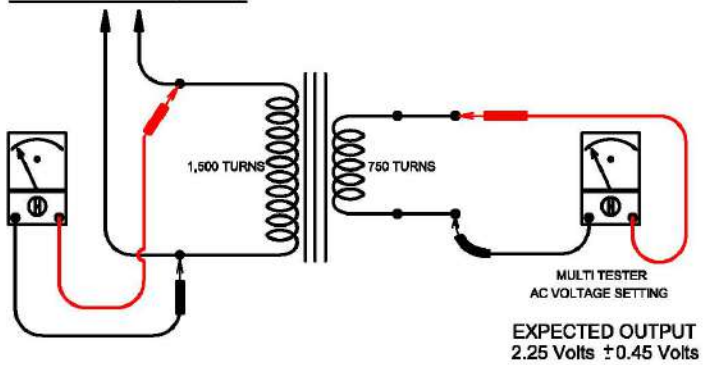
3 Volts Input AC Voltage Setting



## STEP DOWN DIAGRAM & TOLERANCE VALUE

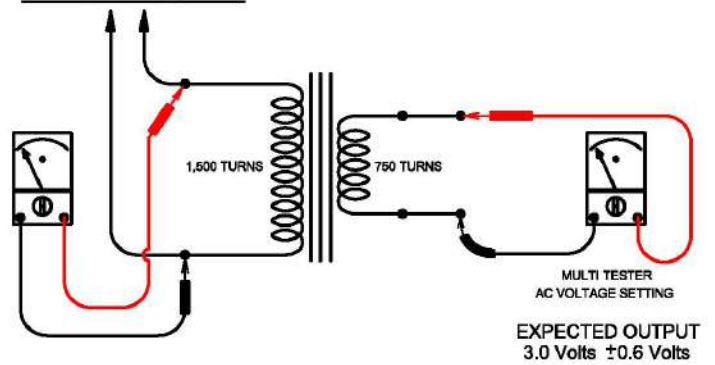
FED POWER FROM VARIABLE POWER SUPPLY

4.5 Volts Input AC Voltage Setting



FED POWER FROM VARIABLE POWER SUPPLY

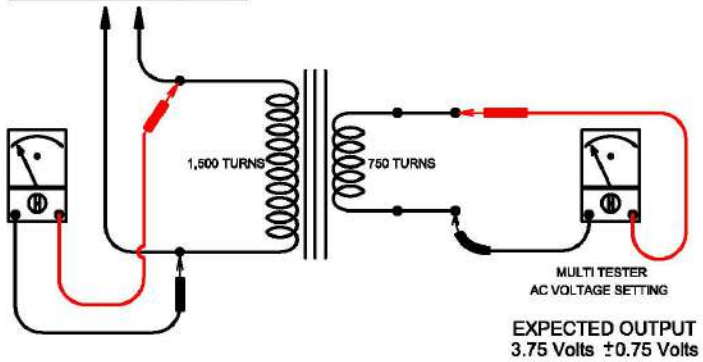
6 Volts Input AC Voltage Setting



## STEP DOWN DIAGRAM & TOLERANCE VALUE

FED POWER FROM VARIABLE POWER SUPPLY

7.5 Volts Input AC Voltage Setting



FED POWER FROM VARIABLE POWER SUPPLY

9 Volts Input AC Voltage Setting

