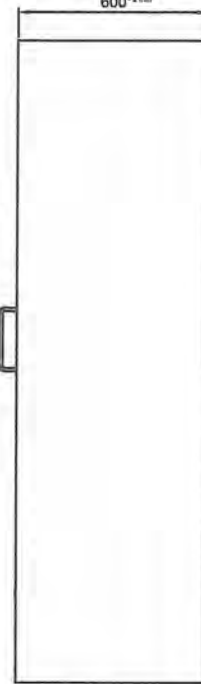
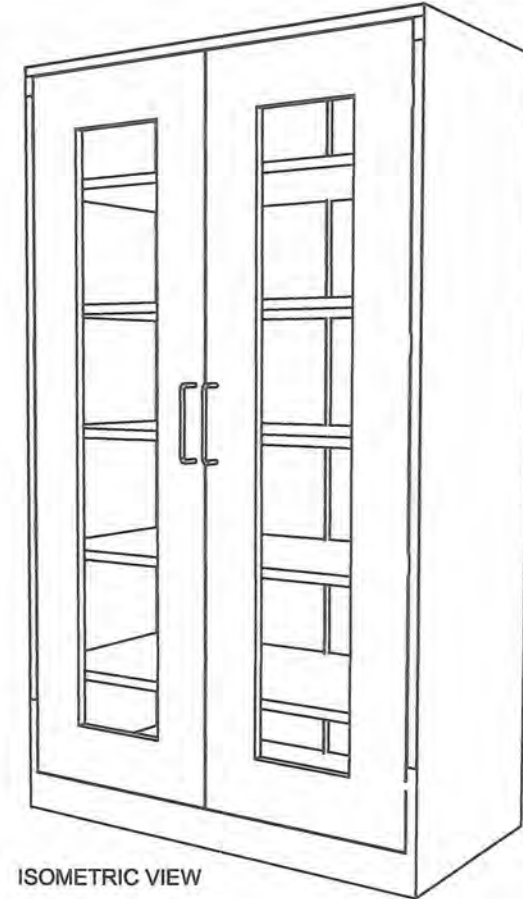


FRONT VIEW



SIDE VIEW



ISOMETRIC VIEW

GOVERNMENT PROPERTY

Description :

- Color : CYAN BLUE: C, M, Y, K (71,53,0,12)
- Material : 1.00mm Thick Cold-rolled Steel Sheet, 6mm thick Flexi-Glass Door
- Size : 2.0 meters x 1.20 meters x 0.6 meters
- Feature : Durable and Rigid

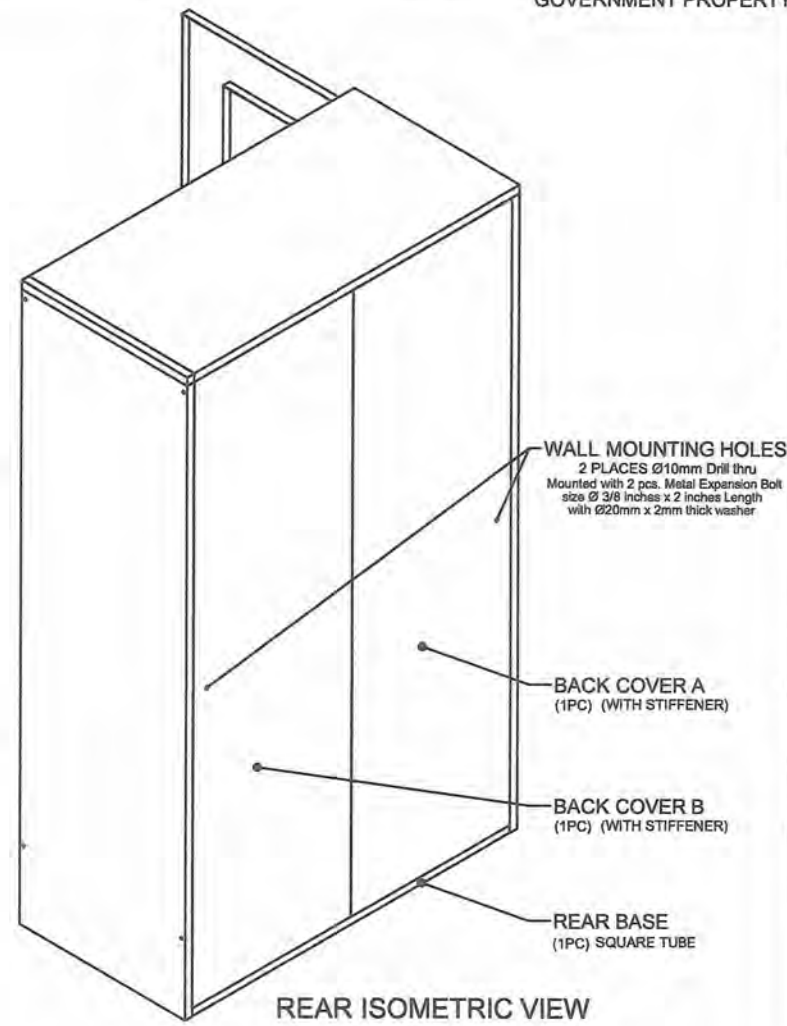
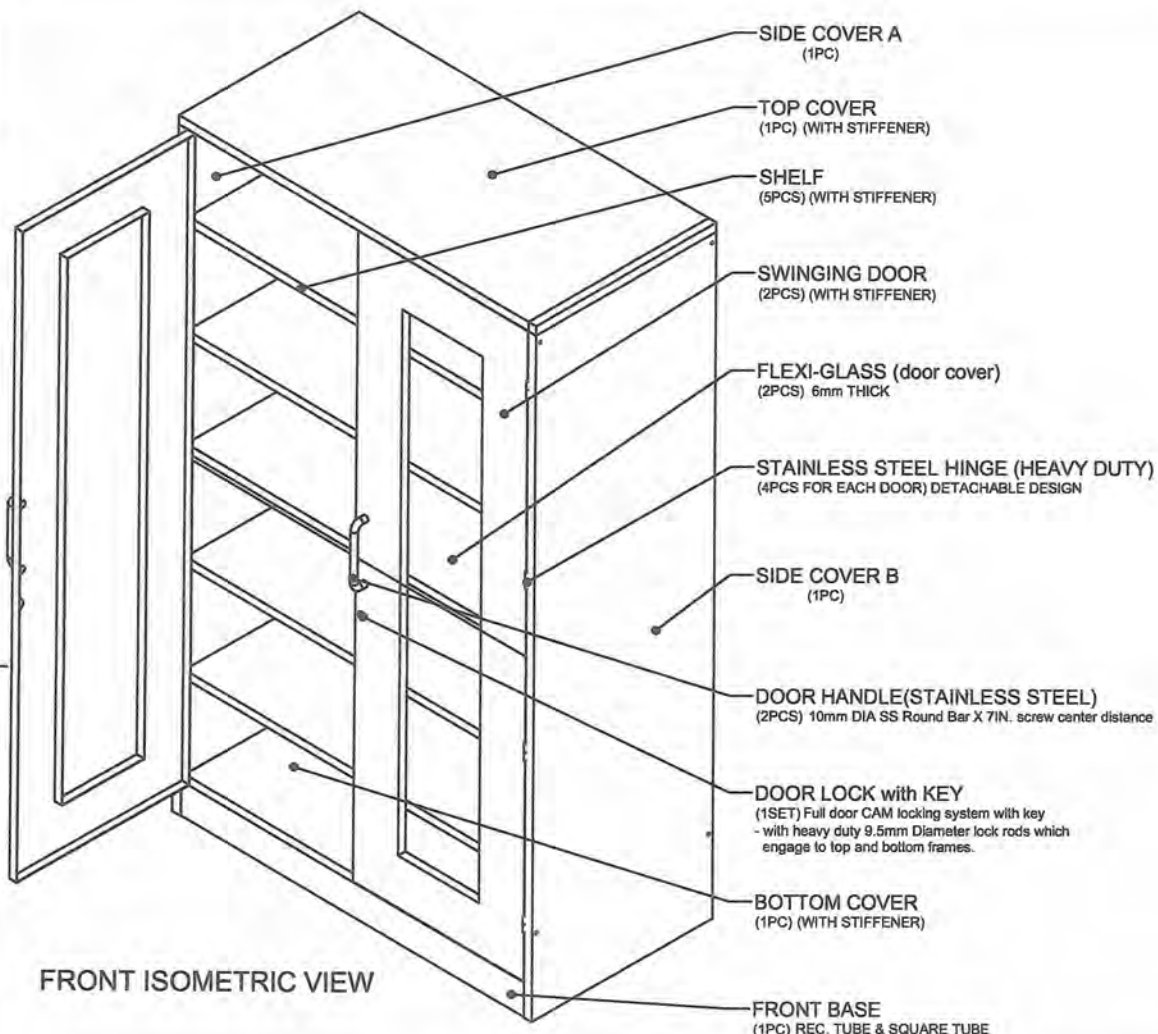
About Cabinet :

1. 1.00mm thickness steel sheet, then powder coat. (Welded surface must be hidden)
2. The cabinet body's material is cold-rolled steel
3. 2 Swinging flexi-glass doors with 2pcs stainless steel 304 handle bars (10mm diameter Stainless Steel 304 Round Bar x 7in. screw mounted in between center. * 1 set (Full door 3 way CAM locking system w/ key), and 4 heavy duty detachable hinges (3 inches long) on each door.
4. 5 Adjustable and detachable shelves.
5. Bolts and nuts must be installed as fasteners.
6. Tongue and groove must be provided to interlock the bottom cover (tongue), side panels and back panels (groove).
7. The 3 way CAM Locking system of the collapsible cabinet door is subject for approval during sample evaluation.
8. Cabinet must be mounted on the WALL using 2pcs. Ø3/8 inches x 2 inches METAL EXPANSION BOLT with Ø20mm x 2mm thick washer.

GENERAL NOTES:

1. All dimensions are in millimeter unless otherwise specified.
2. Remove burrs and sharp edges.

Date OCTOBER 2021	Scale NTS	TVL TOOLS AND EQUIPMENT	
Conceptualized by		Item Name COLLAPSIBLE STEEL CABINET (CABINET # 1)	Sheet 01/14
Drawn by B.C. Lisondra	Q.C. Checked by N. Arloja	Material 1mm THICK COLD-ROLLED STEEL SHEET	File name CABINETDESIGN1
Recommended by A.B. Ybanez	Approved by R.C. La Rosa	 DepED-BLR	




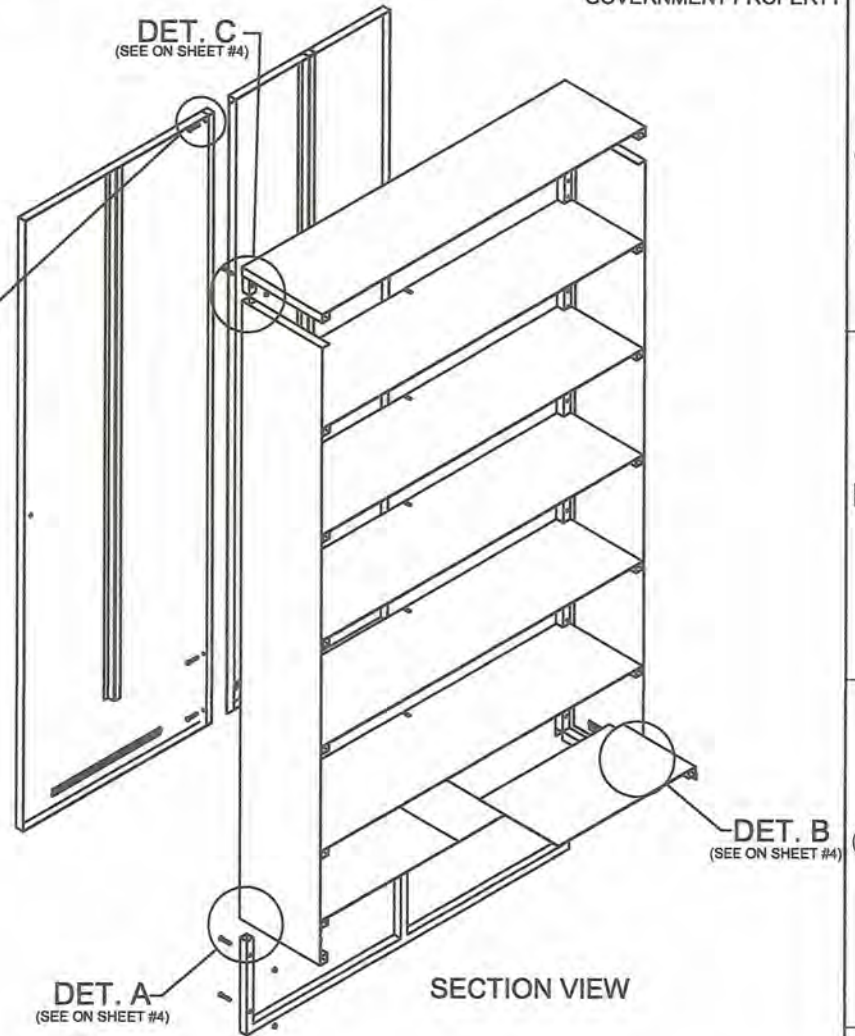
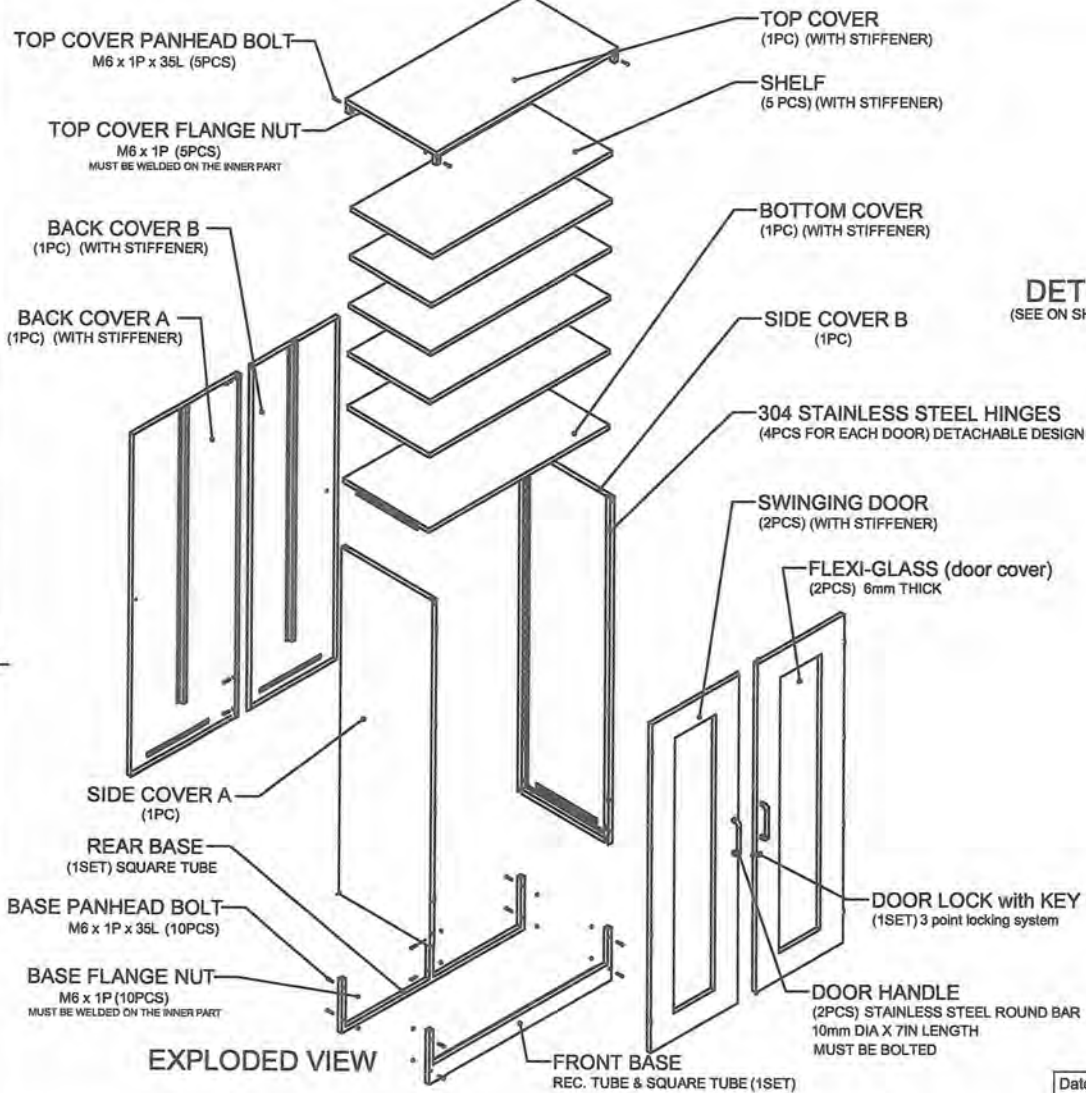
- SIDE COVER A (1PC)
- TOP COVER (1PC) (WITH STIFFENER)
- SHELF (5PCS) (WITH STIFFENER)
- SWINGING DOOR (2PCS) (WITH STIFFENER)
- FLEXI-GLASS (door cover) (2PCS) 6mm THICK
- STAINLESS STEEL HINGE (HEAVY DUTY) (4PCS FOR EACH DOOR) DETACHABLE DESIGN
- SIDE COVER B (1PC)
- DOOR HANDLE (STAINLESS STEEL) (2PCS) 10mm DIA SS Round Bar X 7IN. screw center distance
- DOOR LOCK with KEY (1SET) Full door CAM locking system with key - with heavy duty 9.5mm Diameter lock rods which engage to top and bottom frames.
- BOTTOM COVER (1PC) (WITH STIFFENER)
- FRONT BASE (1PC) REC. TUBE & SQUARE TUBE

WALL MOUNTING HOLES
 2 PLACES Ø10mm Drill thru
 Mounted with 2 pcs. Metal Expansion Bolt
 size Ø 3/8 inches x 2 inches Length
 with Ø20mm x 2mm thick washer

- BACK COVER A (1PC) (WITH STIFFENER)
- BACK COVER B (1PC) (WITH STIFFENER)
- REAR BASE (1PC) SQUARE TUBE

GENERAL NOTES:
 1. All dimensions are in millimeter unless otherwise specified.
 2. Remove burrs and sharp edges.

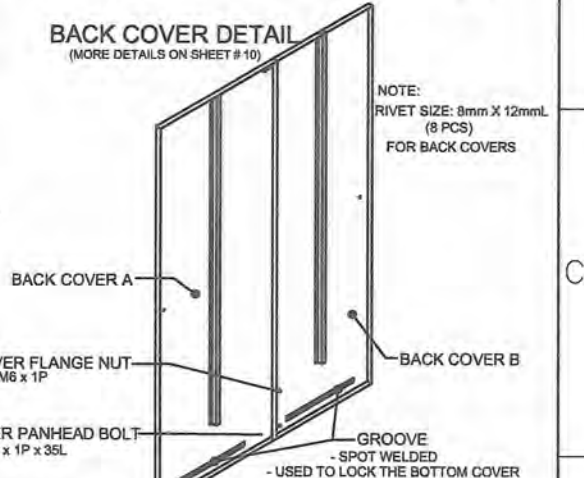
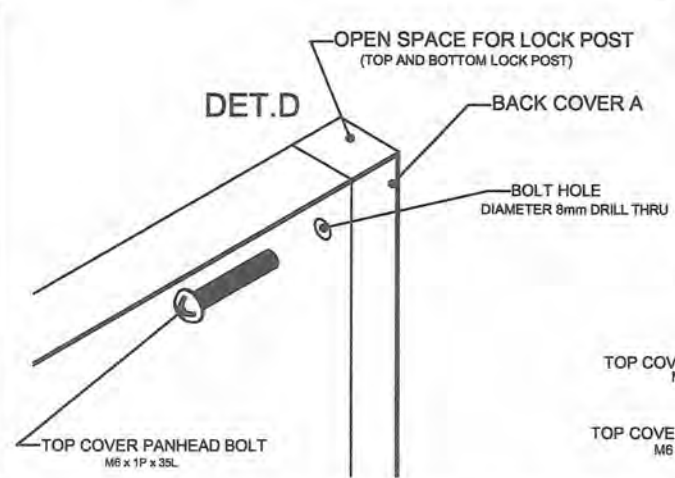
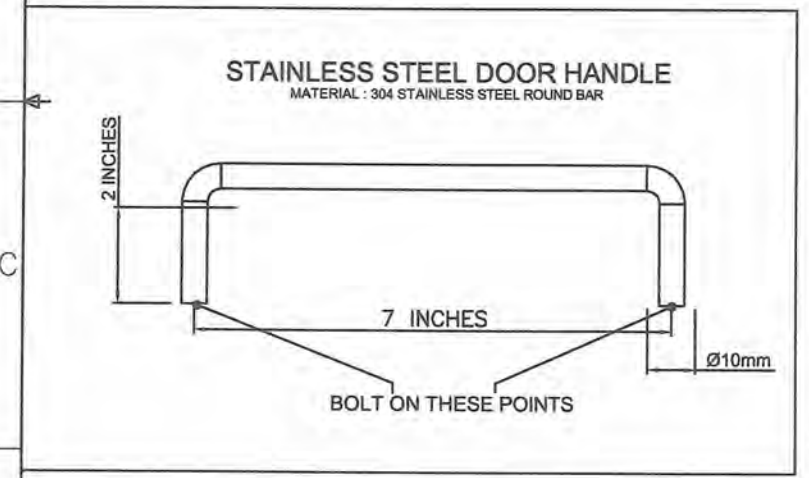
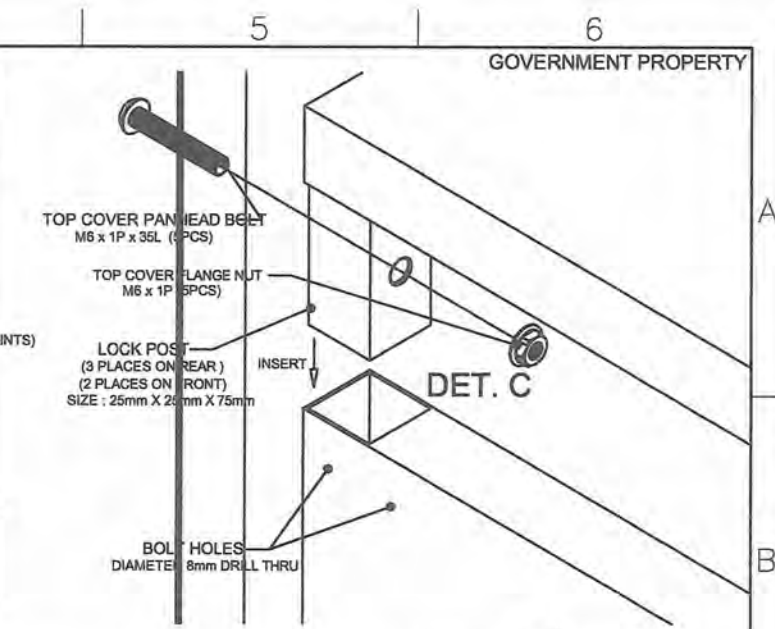
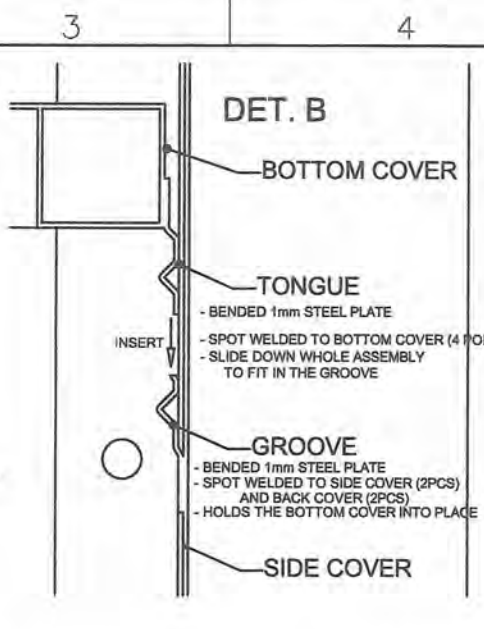
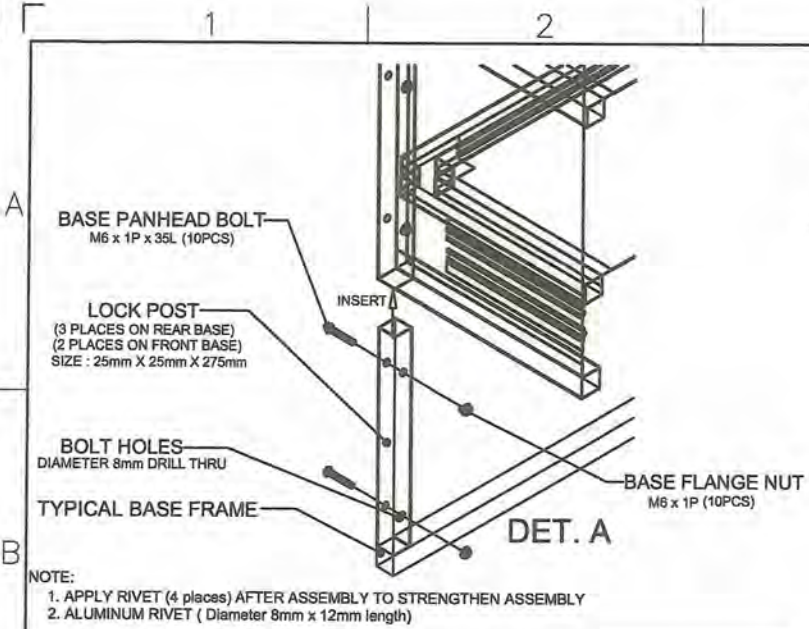
Date OCTOBER 2021	Scale NTS	TVL TOOLS AND EQUIPMENT	
Conceptualized by B.C. Lisondra		Item Name COLLAPSIBLE STEEL CABINET (CABINET # 1)	Sheet 02/14
Drawn by B.C. Lisondra	Q.C. Checked by J.N. Arloja	Material 1mm THICK COLD-ROLLED STEEL SHEET	File name CABINETDESIGN1
Recommended by A.B. Ybarñez	Approved by R.C. La Rosa	 DepED-BLR	



GENERAL NOTES:

1. All dimensions are in millimeter unless otherwise specified.
2. Remove burrs and sharp edges.

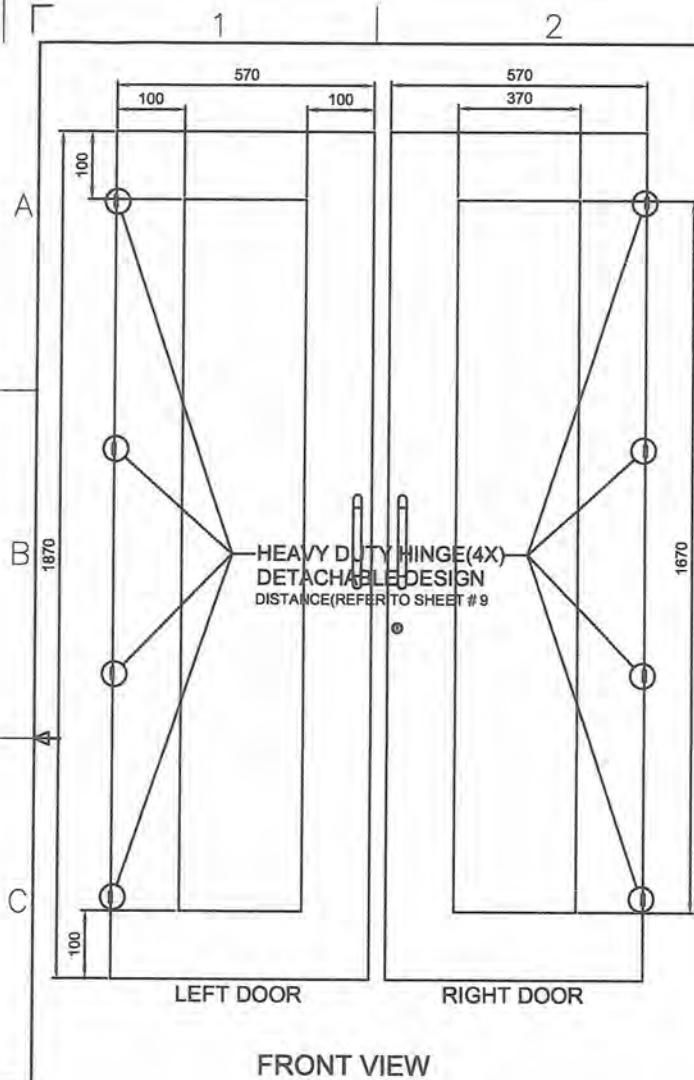
Date OCTOBER 2021	Scale NTS	TVL TOOLS AND EQUIPMENT	
Conceptualized by		Item Name COLLAPSIBLE STEEL CABINET (CABINET # 1)	Sheet 03/14
Drawn by B.C. Lisondra	Q.C. Checked by J.M. Arilla	Material 1mm THICK COLD-ROLLED STEEL SHEET	File name CABINETDESIGN1
Recommended by A.B. Ybafiez	Approved by R.C. La Rosa	 DepED-BLR	



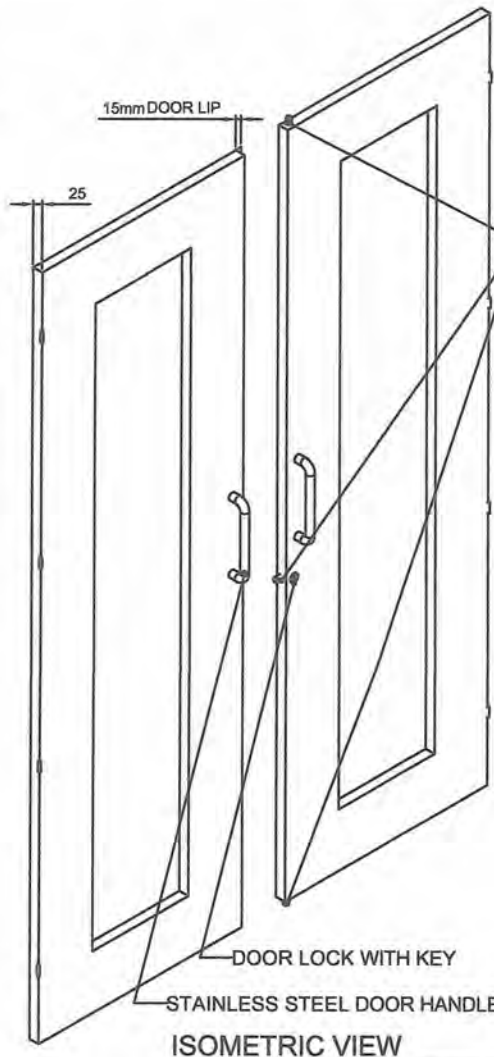
GENERAL NOTES:

1. All dimensions are in millimeter unless otherwise specified.
2. Remove burrs and sharp edges.

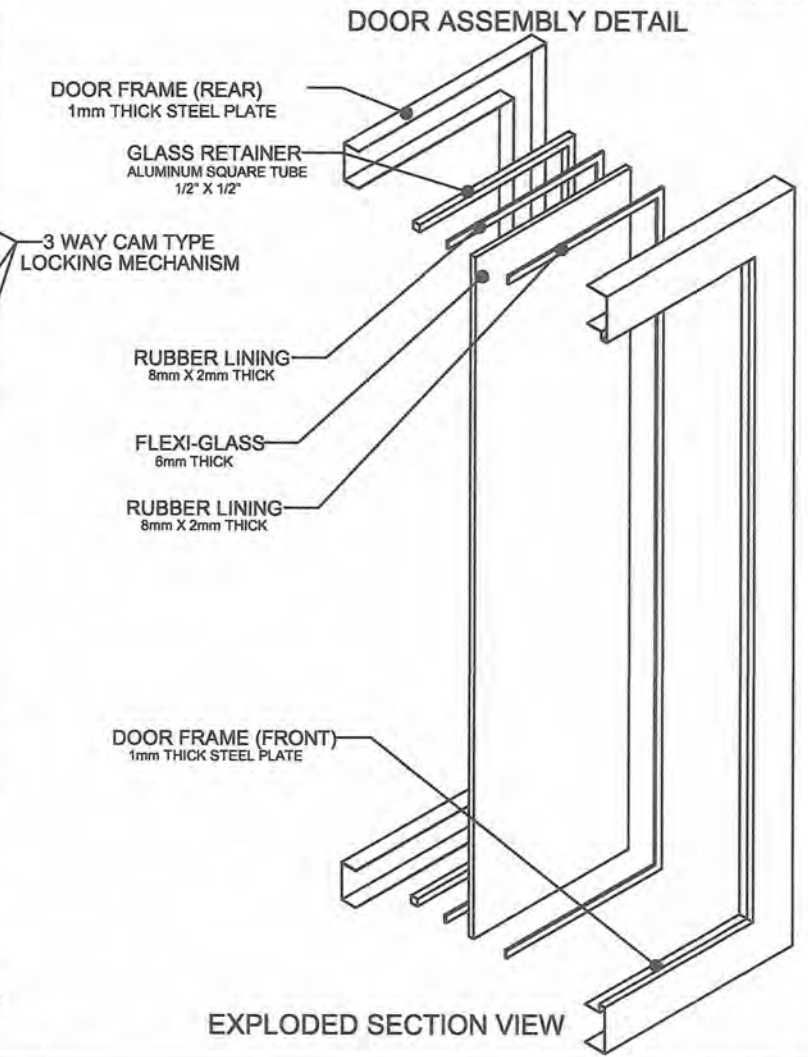
Date OCTOBER 2021	Scale NTS	TVL TOOLS AND EQUIPMENT	
Conceptualized by		Item Name ASSEMBLY DETAILS (CABINET # 1)	Sheet 04 / 14
Drawn by B.C. Lisondra		Material 1mm THICK COLD-ROLLED STEEL SHEET	File name CABINETDESIGN1
Designed by B.C. Lisondra	Q.I.C. Checked by J.M. Arrija	 DepED-BLR	
Recommended by A.B. Ybanez	Approved by R.C. La Rosa		



FRONT VIEW



ISOMETRIC VIEW

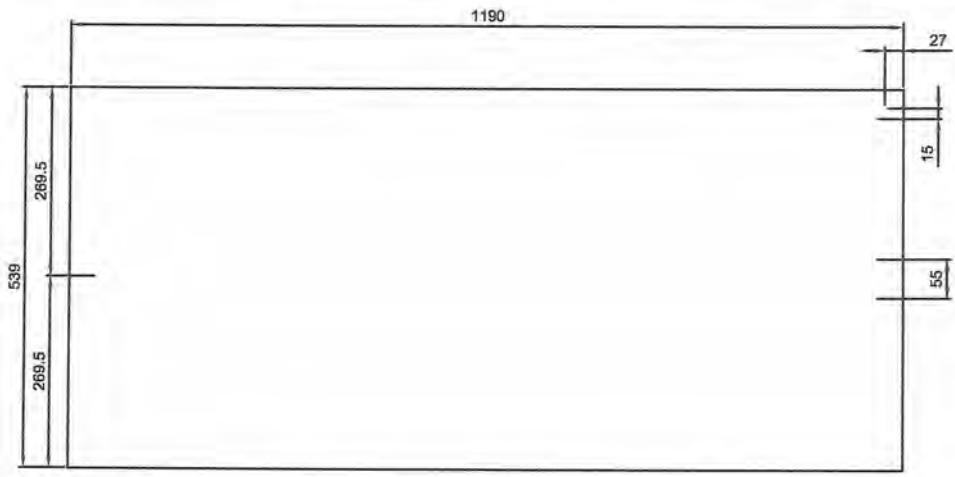


EXPLODED SECTION VIEW

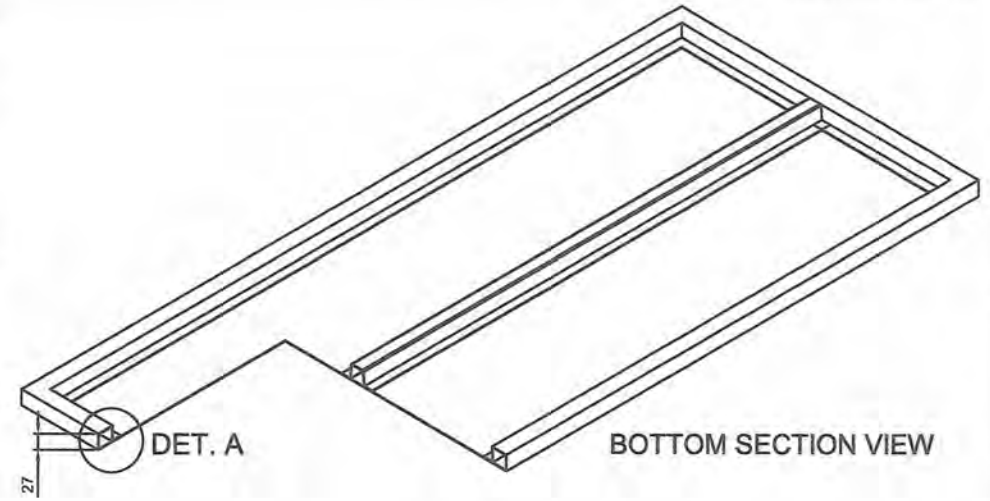
GENERAL NOTES:

1. All dimensions are in millimeter unless otherwise specified.
2. Remove burrs and sharp edges.

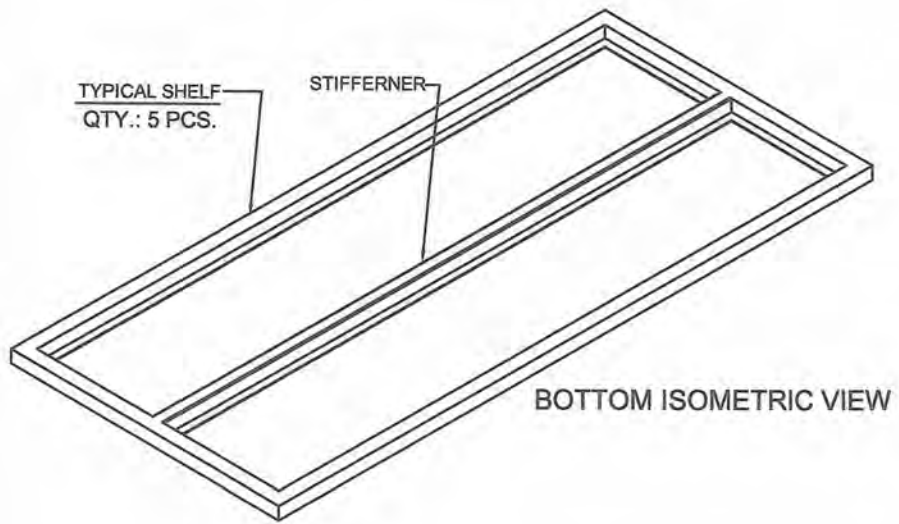
Date OCTOBER 2021	Scale NTS	TVL TOOLS AND EQUIPMENT	
Conceptualized by		Item Name DOOR DETAILS (CABINET # 1)	Sheet 05 / 14
Drawn by B.C. Lisondra	Q.C. Checked by J.N. Arioja	Material 1mm THICK COLD-ROLLED STEEL SHEET	File name CABINETDESIGN1
Designed by B.C. Lisondra	Recommended by A.B. Ybariez	 DepED-BLR	
Approved by R.C. La Rosa			



TOP VIEW

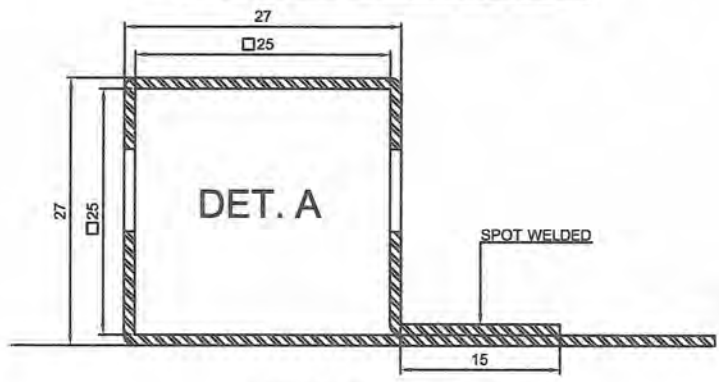


BOTTOM SECTION VIEW



BOTTOM ISOMETRIC VIEW


TYPICAL BENDING DETAIL

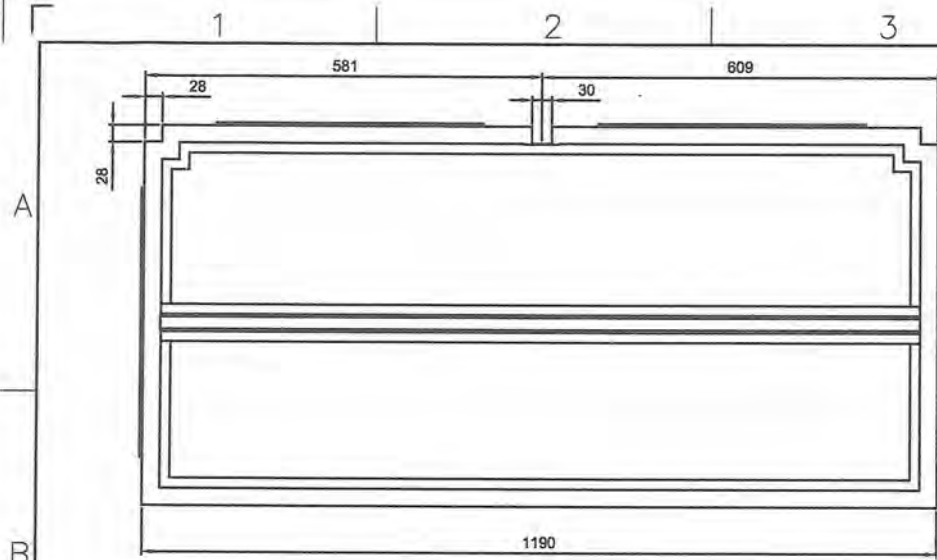


SECTION VIEW

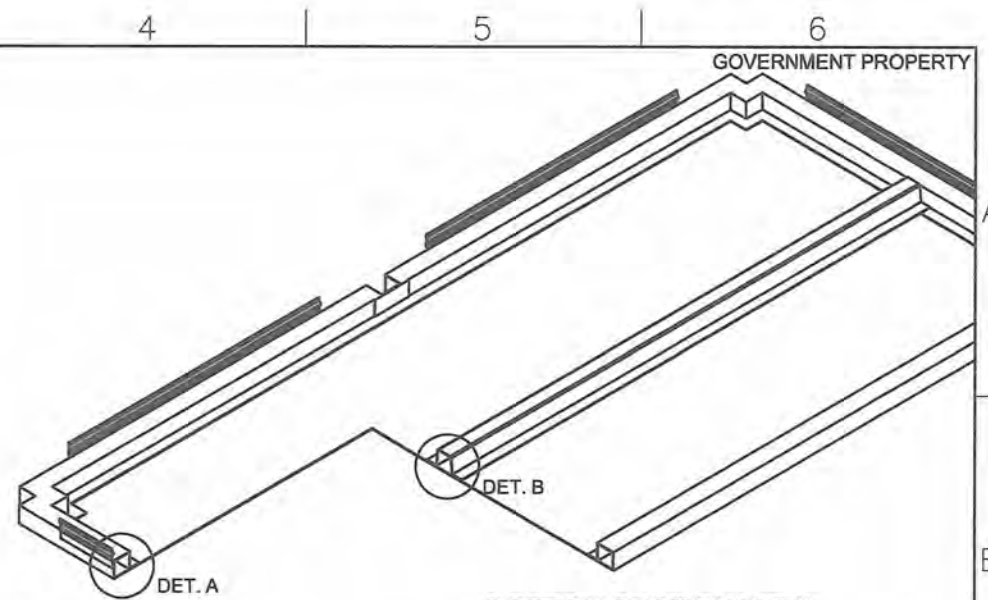
GENERAL NOTES:

1. All dimensions are in millimeter unless otherwise specified.
2. Remove burrs and sharp edges.

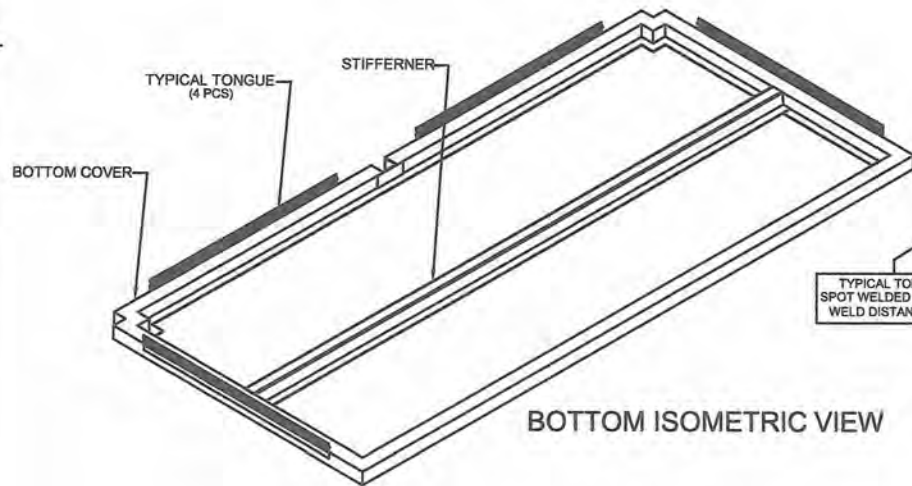
Date OCTOBER 2021	Scale NTS	TVL TOOLS AND EQUIPMENT	
Conceptualized by		Item Name TYPICAL SHELF DETAILS (CABINET # 1)	Sheet 06/14
Drawn by B.C. Lisondra	Q.C. Checked by J.N. Arioja	Material 1mm THICK COLD-ROLLED STEEL SHEET	File name CABINETDESIGN1
Recommended by A.B. Ybañez	Approved by R.C. La Rosa	 DepED-BlR	



TOP VIEW

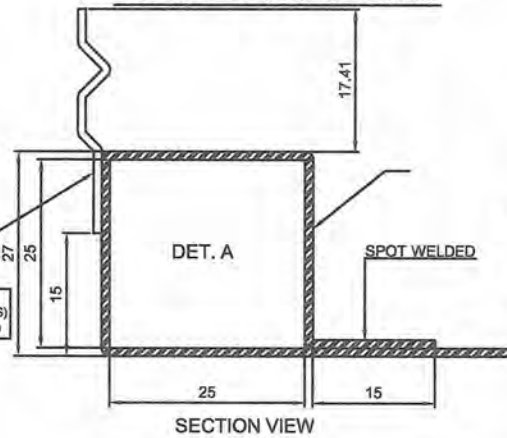


BOTTOM SECTION VIEW



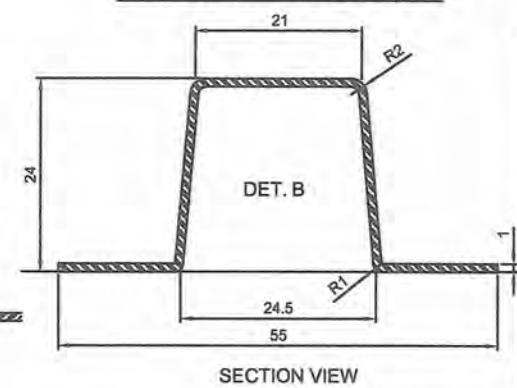
BOTTOM ISOMETRIC VIEW

TYPICAL BENDING DETAIL



SECTION VIEW

TYPICAL STIFFENER DETAIL



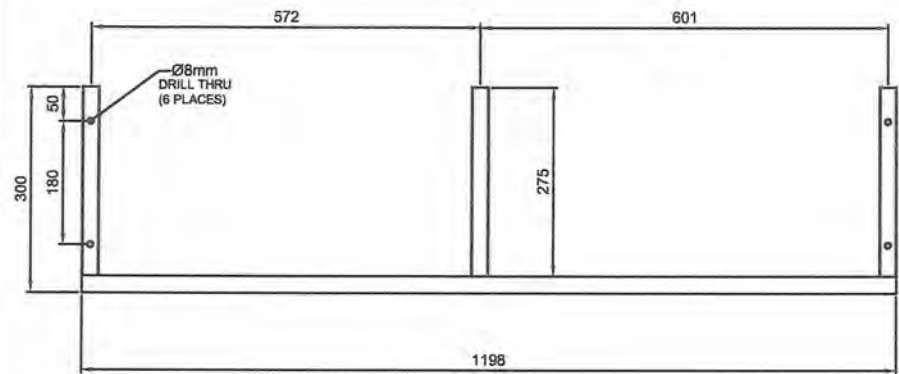
SECTION VIEW

GENERAL NOTES:

1. All dimensions are in millimeter unless otherwise specified.
2. Remove burrs and sharp edges.

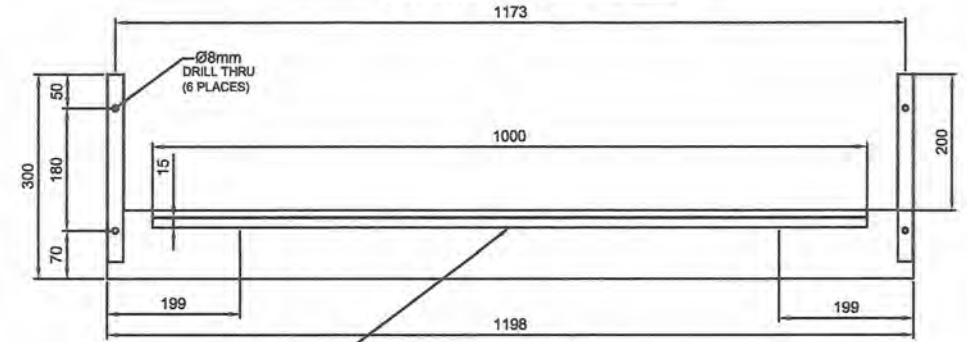
Date OCTOBER 2021	Scale NTS	TVL TOOLS AND EQUIPMENT	
Conceptualized by		Item Name BOTTOM COVER DETAILS (CABINET # 1)	Sheet 07/14
Drawn by B.C. Lisondra	Q.C. Checked by J.N. Arida	Material 1mm THICK COLD-ROLLED STEEL SHEET	File name CABINETDESIGN1
Recommended by A.B. Ybanez	Approved by R.C. La Rosa	 DepED-BLR	

REAR BASE FRAME

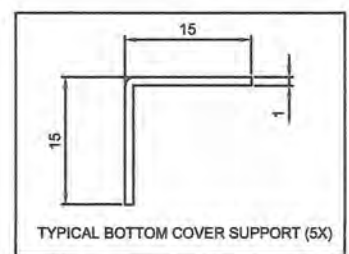


FRONT VIEW

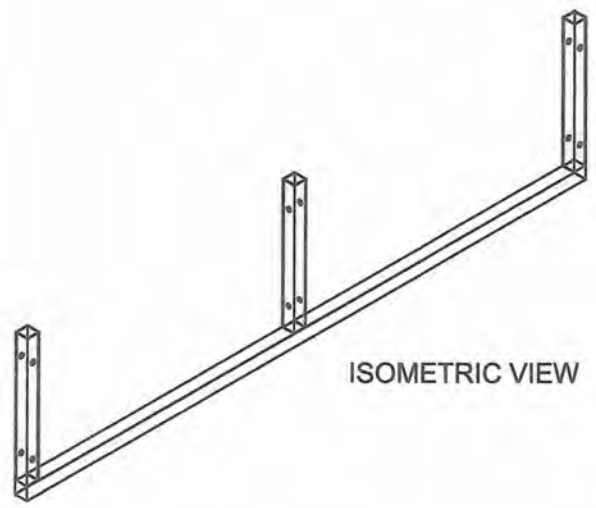
FRONT BASE FRAME



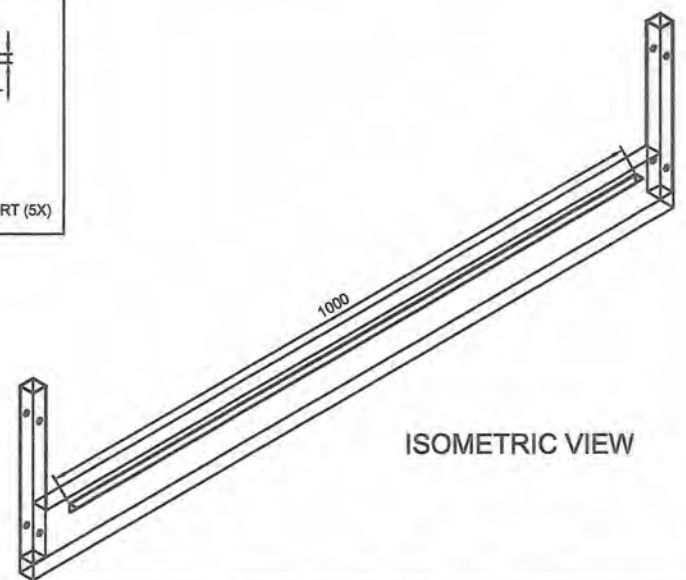
FRONT VIEW



TYPICAL BOTTOM COVER SUPPORT (5X)



ISOMETRIC VIEW

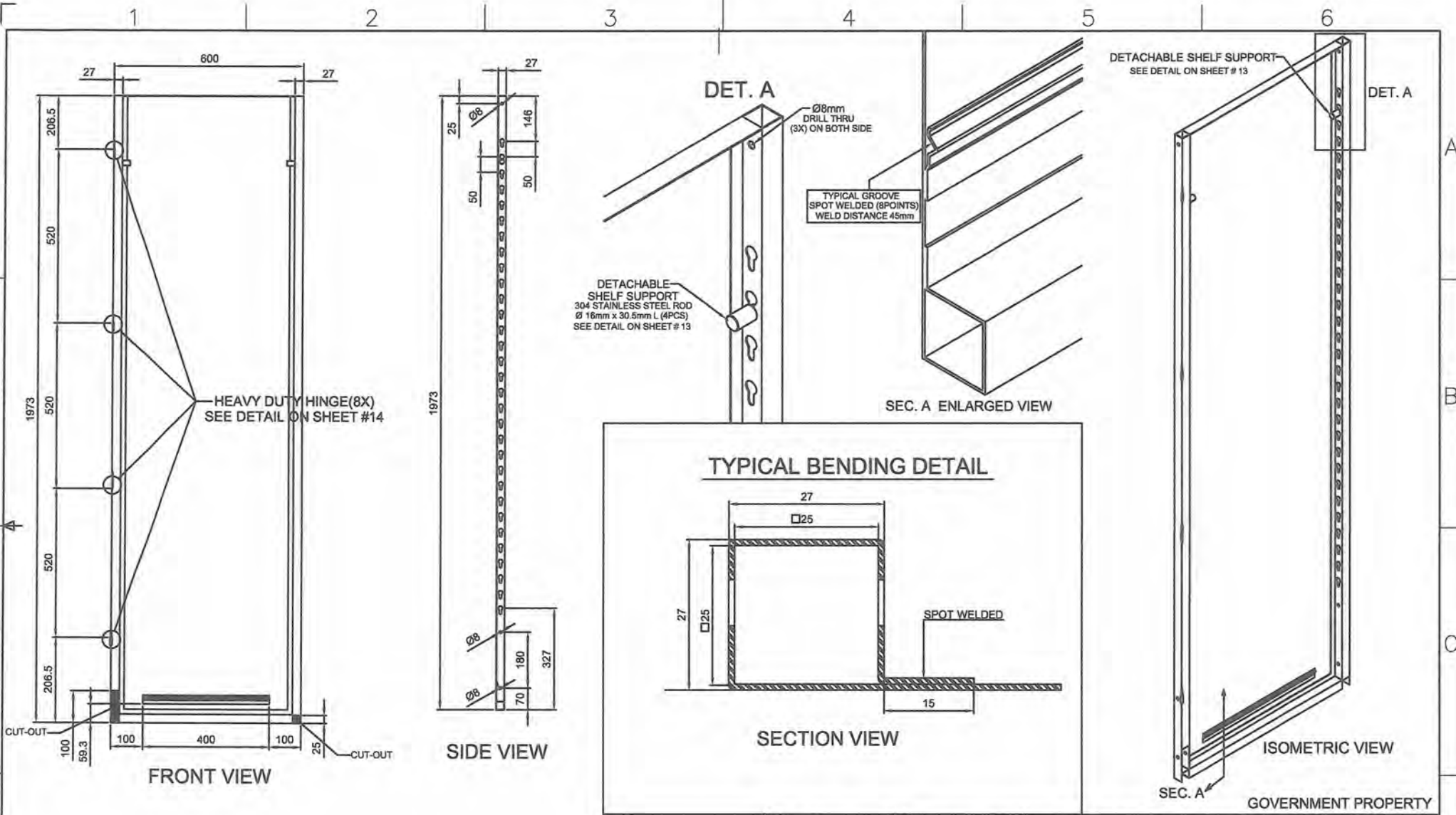


ISOMETRIC VIEW

GENERAL NOTES:

1. All dimensions are in millimeter unless otherwise specified.
2. Remove burrs and sharp edges.

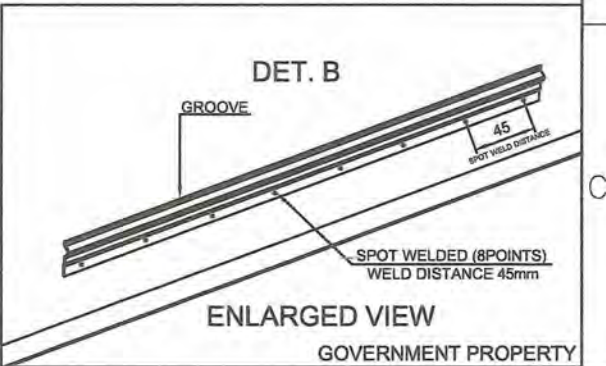
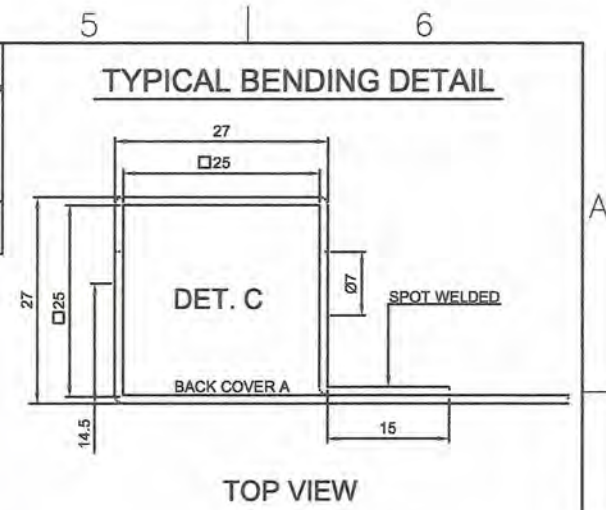
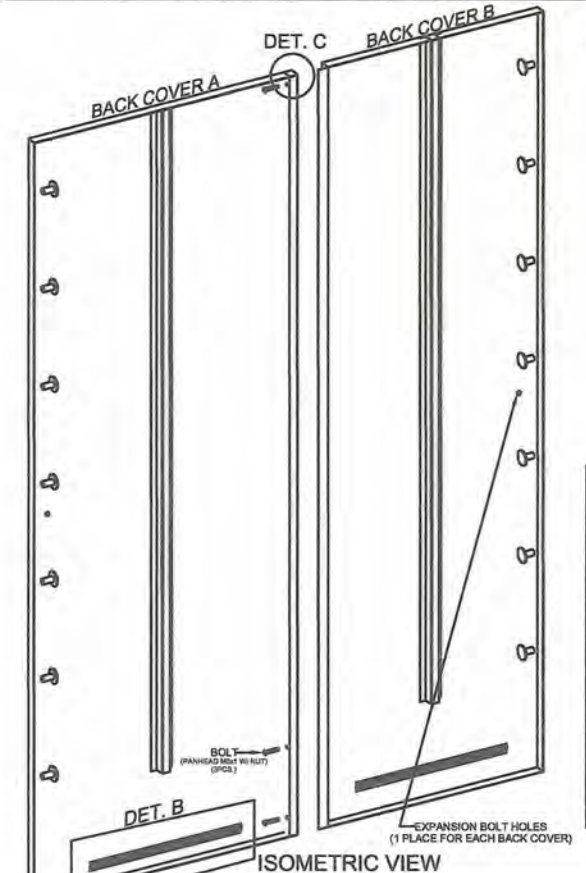
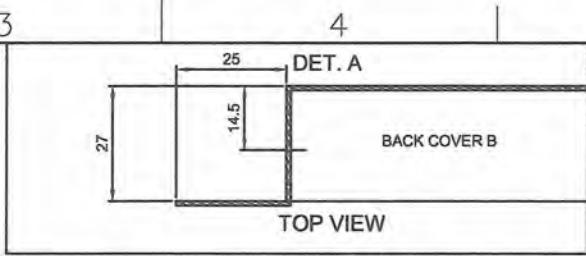
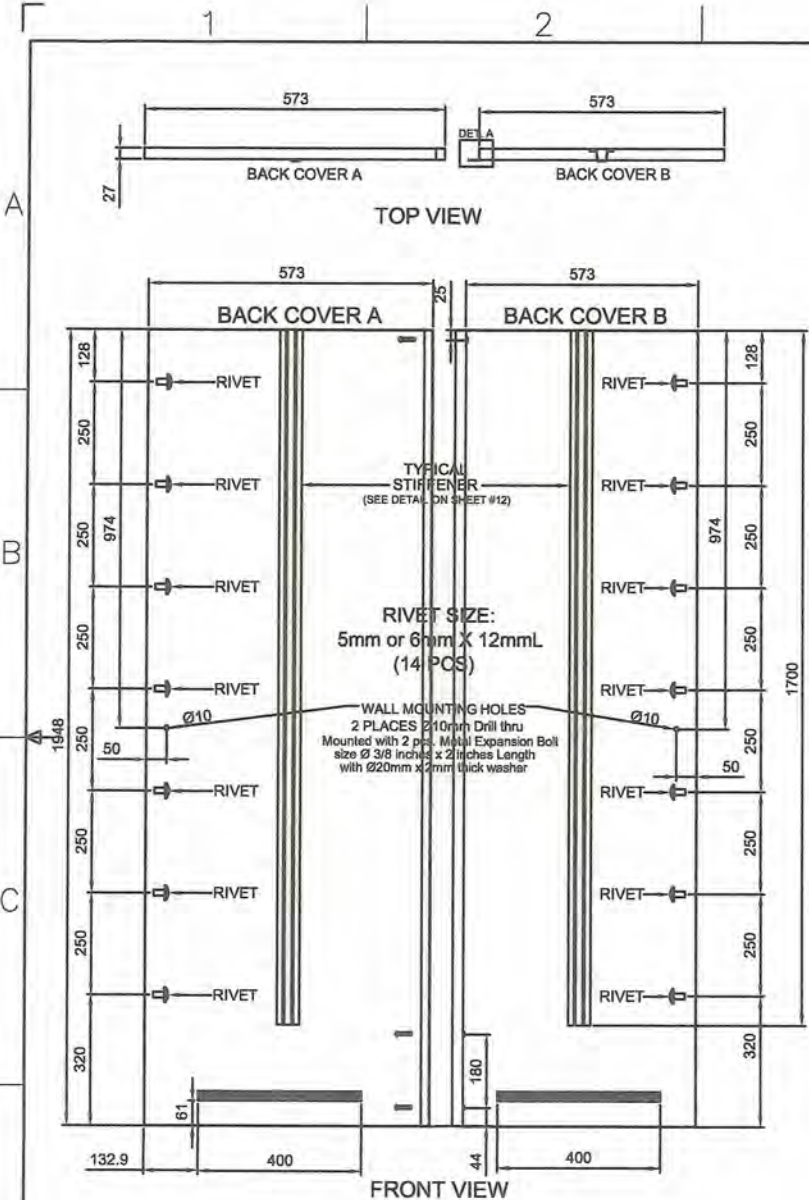
Date OCTOBER 2021	Scale NTS	TVL TOOLS AND EQUIPMENT	
Conceptualized by		Item Name BASE FRAME DETAILS (CABINET # 1)	Sheet 08/14
Drawn by B.C. Lisondra		Material 1mm THICK COLD-ROLLED STEEL SHEET	File name CABINETDESIGN1
Designed by B.C. Lisondra	Q.C. Checked by J.N. Arioja		
Recommended by A.B. Ybafiez	Approved by R.C. La Rosa		
		DepED-BLR	



GENERAL NOTES:
 1. All dimensions are in millimeter unless otherwise specified.
 2. Remove burrs and sharp edges.

Date	OCTOBER 2021	Scale	NTS	TVL TOOLS AND EQUIPMENT	
Conceptualized by					
Drawn by	B.C. Lisondra			Sheet	09/14
Designed by	B.C. Lisondra	Q.C. Checked by	J.N. Nioja	Material	1mm THICK COLD-ROLLED STEEL SHEET
Recommended by	A.B. Ybariez			File name	CABINETDESIGN1
Approved by	R.C. La Rosa				

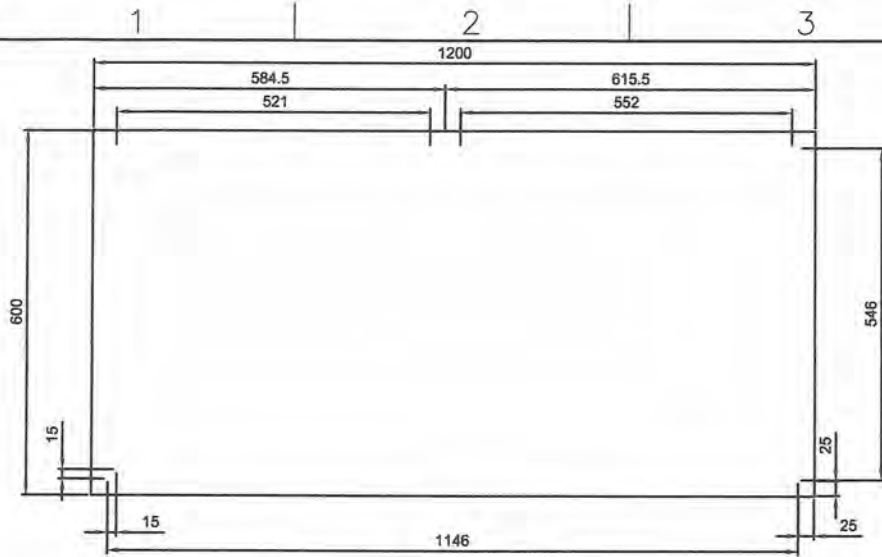
GOVERNMENT PROPERTY



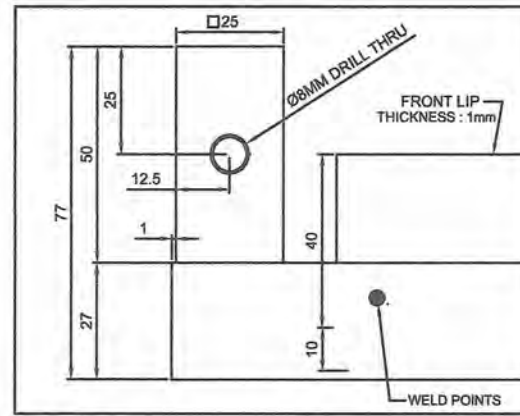
GENERAL NOTES:

1. All dimensions are in millimeter unless otherwise specified.
2. Remove burrs and sharp edges.

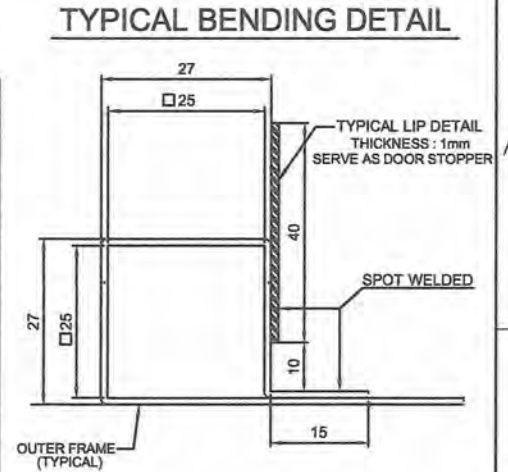
Date OCTOBER 2021	Scale NTS	TVL TOOLS AND EQUIPMENT	
Conceptualized by		Item Name BACK COVER A & B DETAILS (CABINET # 1)	Sheet 10/14
Drawn by B.C. Lisondra	Q.C. Checked by J.N. Arioja	Material 1mm THICK COLD-ROLLED STEEL SHEET	File name CABINETDESIGN1
Recommended by A.B. Ybañez	Approved by R.C. La Rosa	 DepED-BLR	



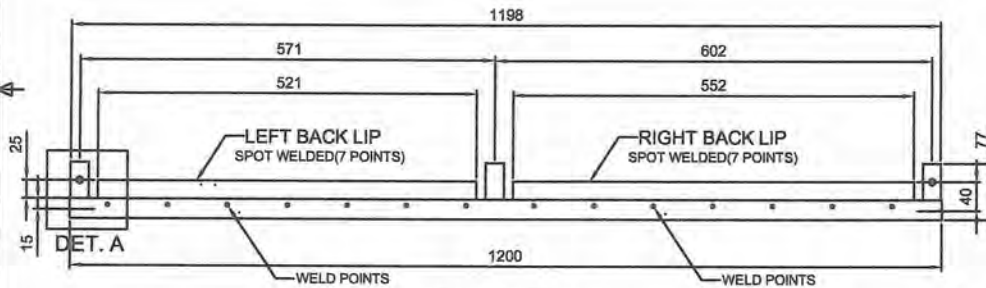
TOP VIEW



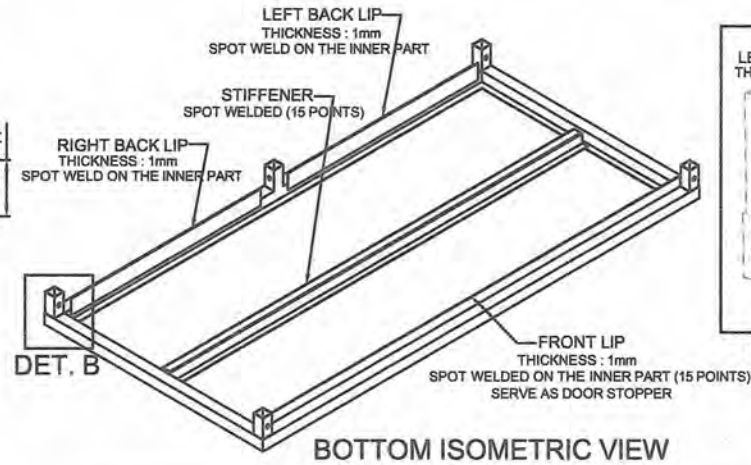
DET. A



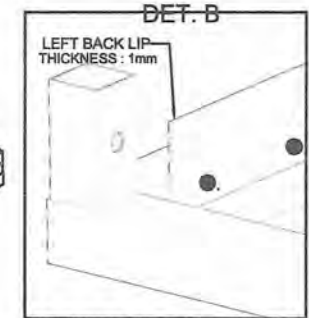
SECTION VIEW



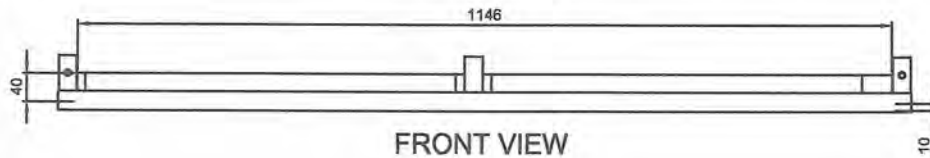
REAR VIEW



BOTTOM ISOMETRIC VIEW



ENLARGED VIEW



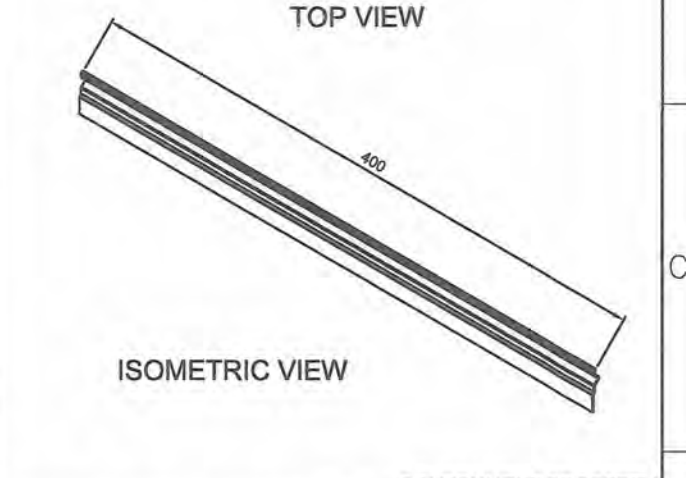
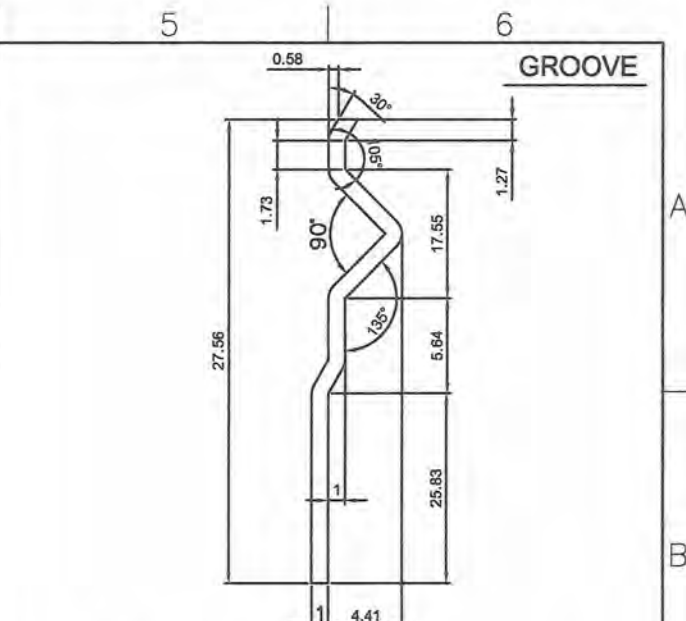
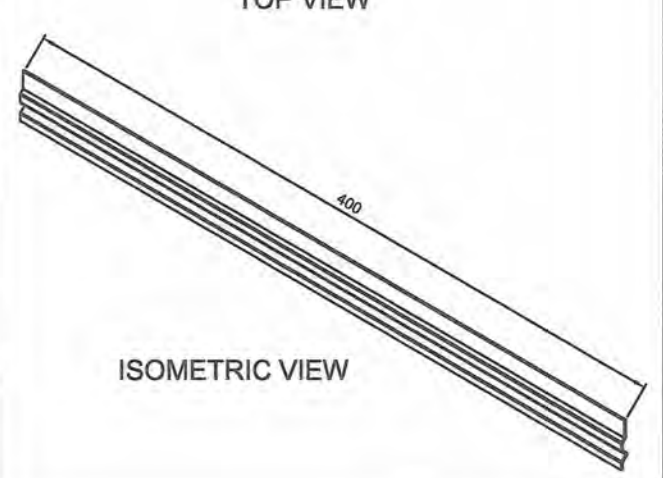
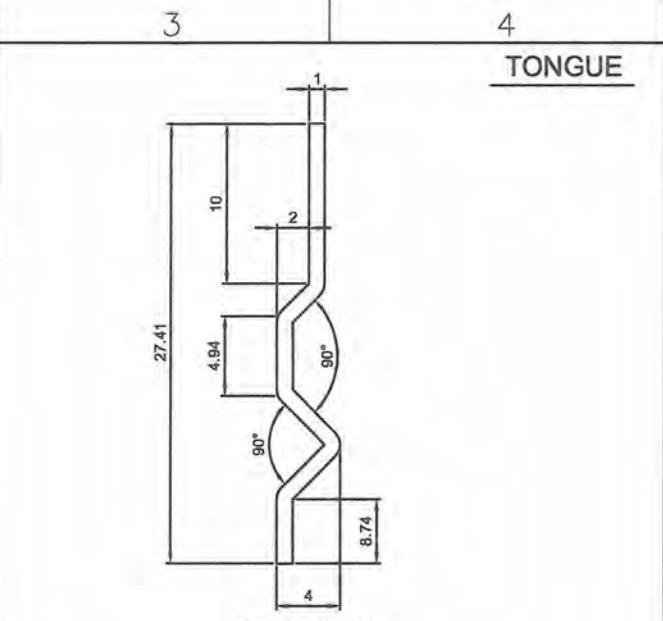
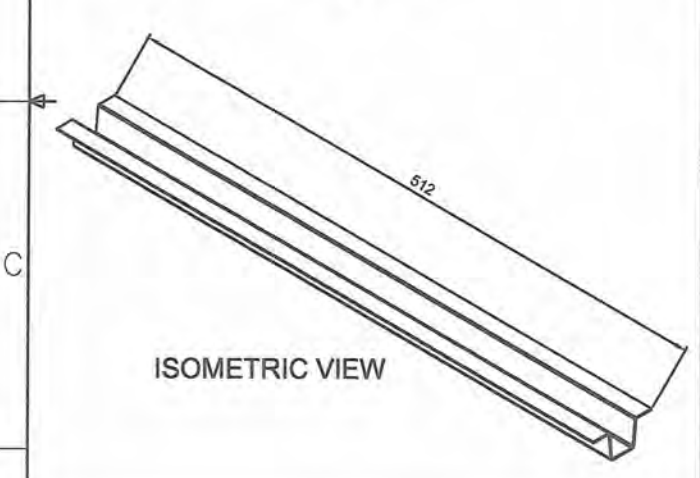
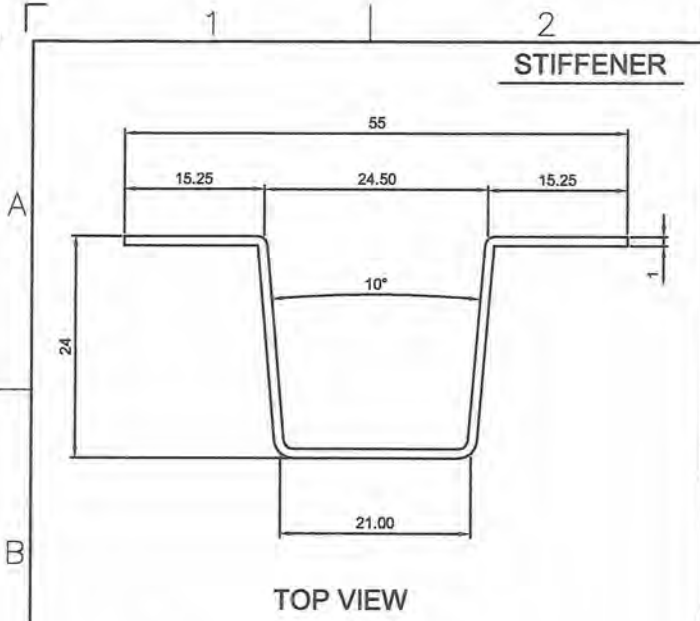
FRONT VIEW

GENERAL NOTES:

1. All dimensions are in millimeter unless otherwise specified.
2. Remove burrs and sharp edges.

GOVERNMENT PROPERTY

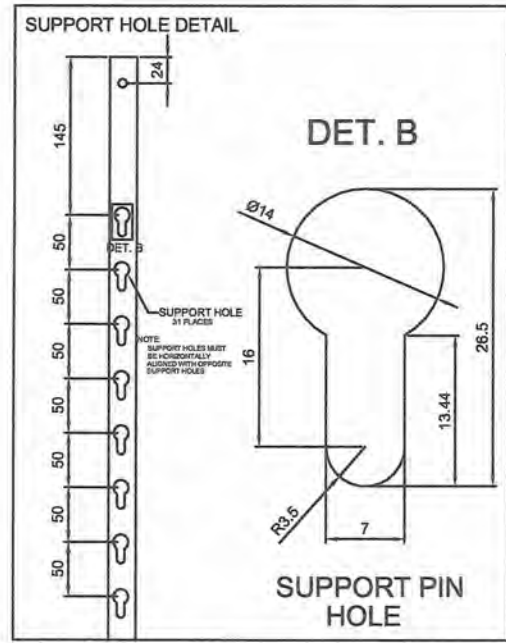
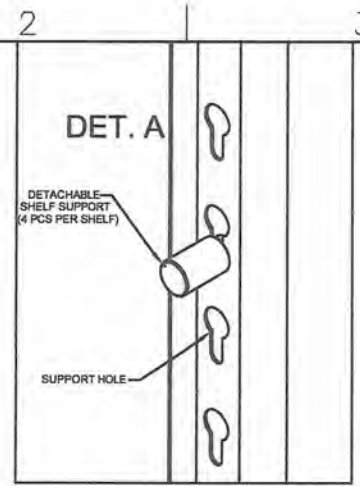
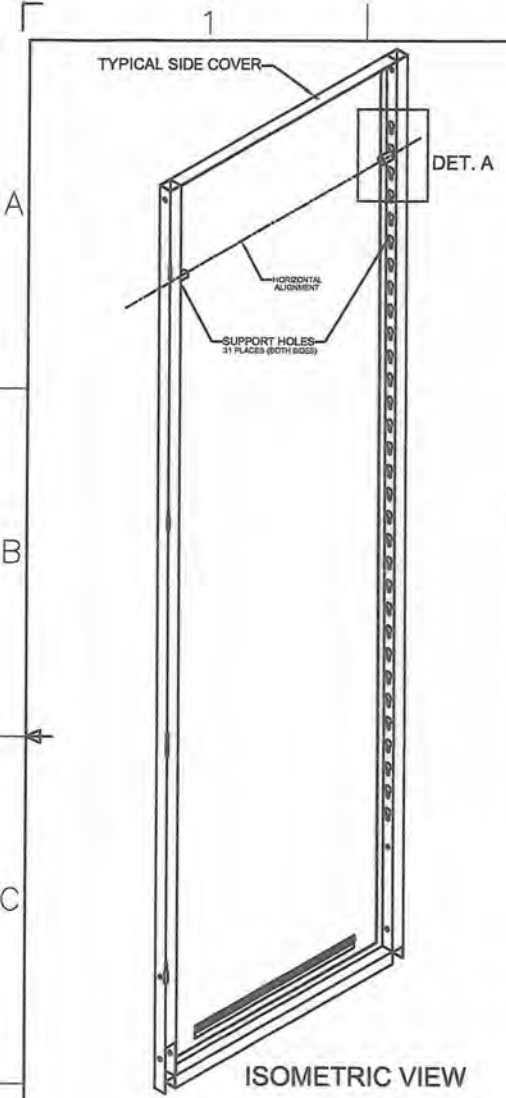
Date OCTOBER 2021	Scale NTS	TVL TOOLS AND EQUIPMENT	
Conceptualized by		Item Name TOP COVER DETAILS (CABINET # 1)	Sheet 11/14
Drawn by B.C. Lisondra	Q.C. Checked by J.N. Arloja	Material 1mm THICK COLD-ROLLED STEEL SHEET	File name CABINETDESIGN1
Recommended by A.B. Ybafiez	Approved by R.C. La Rosa		



GOVERNMENT PROPERTY

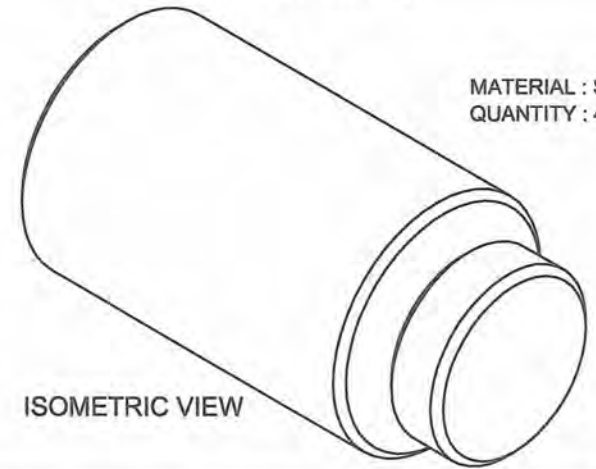
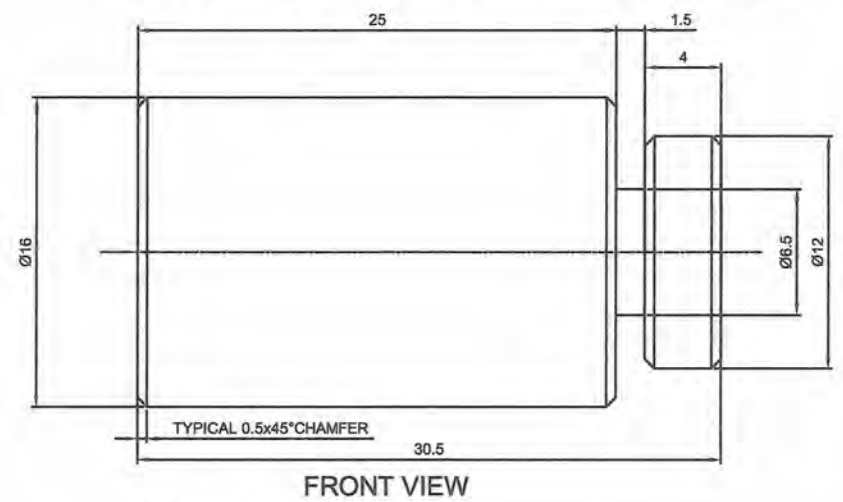
GENERAL NOTES:
 1. All dimensions are in millimeter unless otherwise specified.
 2. Remove burrs and sharp edges.

Date OCTOBER 2021	Scale NTS	TVL TOOLS AND EQUIPMENT	
Conceptualized by		Item Name TYPICAL LOCKING & REINFORCEMENT DETAILS (CABINET # 1)	Sheet 12/14
Drawn by B.C. Lisondra	Q.C. Checked by J.N. Arjoja	Material 1mm THICK COLD-ROLLED STEEL SHEET	File name CABINETDESIGN1
Recommended by A.B. Ybanez	Approved by R.C. La Rosa	 DepED-BLR	



FRONT VIEW

DETACHABLE SHELF SUPPORT



MATERIAL : STAINLESS STEEL 304
QUANTITY : 4 PCS. PER SHELF

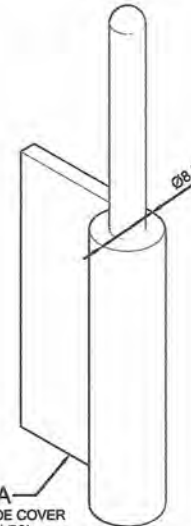
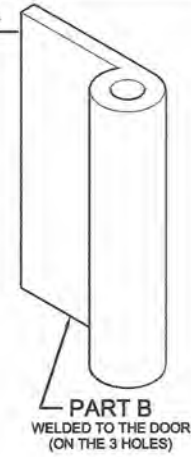
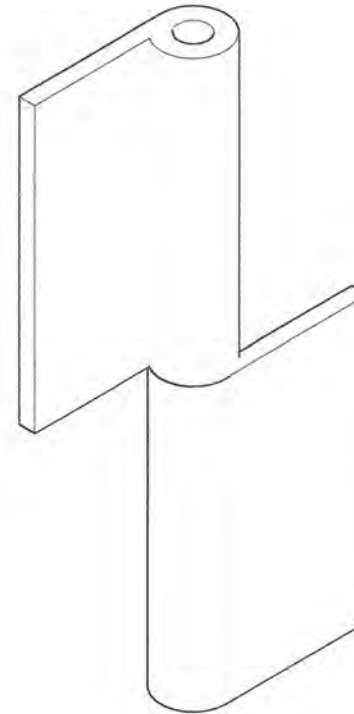
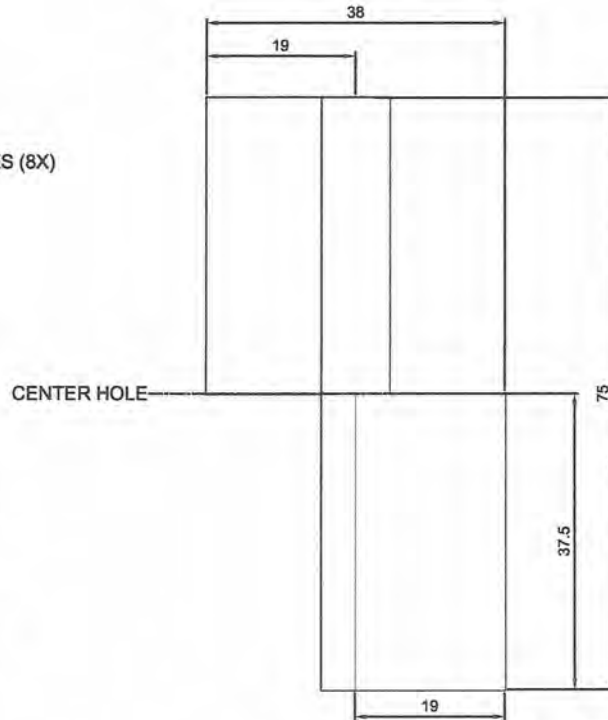
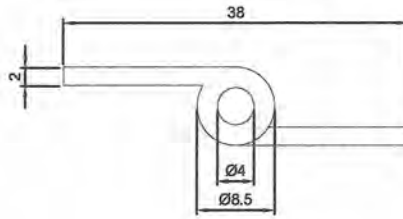
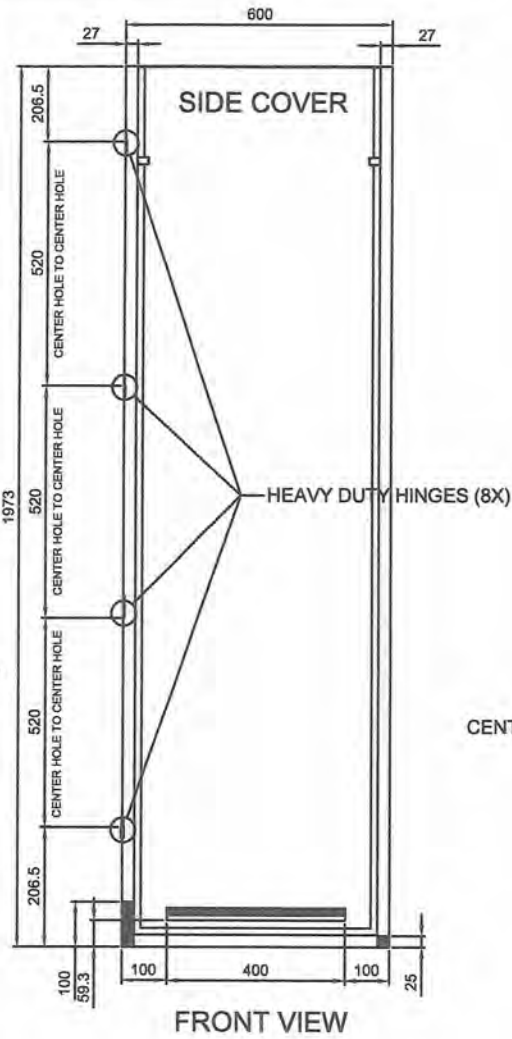
GOVERNMENT PROPERTY

GENERAL NOTES:
1. All dimensions are in millimeter unless otherwise specified.
2. Remove burrs and sharp edges.

Date OCTOBER 2021	Scale NTS	TVL TOOLS AND EQUIPMENT	
Conceptualized by		Item Name DETACHABLE SHELF SUPPORT PIN (CABINET # 1)	Sheet 13/14
Drawn by B.C. Lisondra	Q.C. Checked by J.N. Arioja	Material 1mm THICK COLD-ROLLED STEEL SHEET	File name CABINETDESIGN1
Recommended by A.B. Ybanez	Approved by R.C. La Rosa	 DepED-BLR	

HEAVY DUTY DETACHABLE HINGES DETAIL

MATERIAL : STAINLESS STEEL 304
 QUANTITY : 4pcs. RIGHT & 4pcs. LEFT HINGE



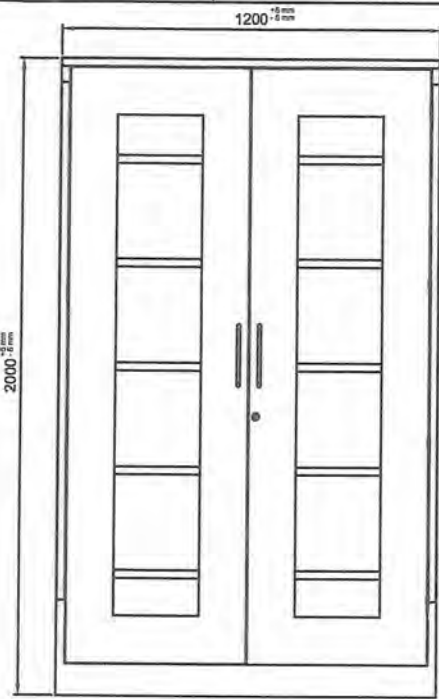
EXPLODED VIEW

GOVERNMENT PROPERTY

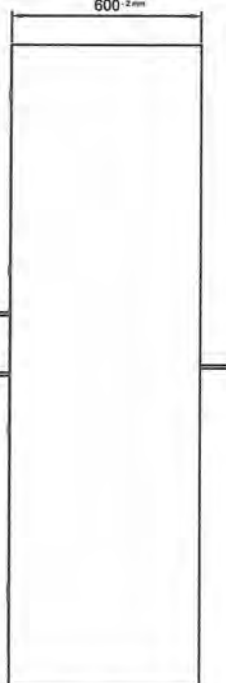
GENERAL NOTES:

1. All dimensions are in millimeter unless otherwise specified.
2. Remove burrs and sharp edges.

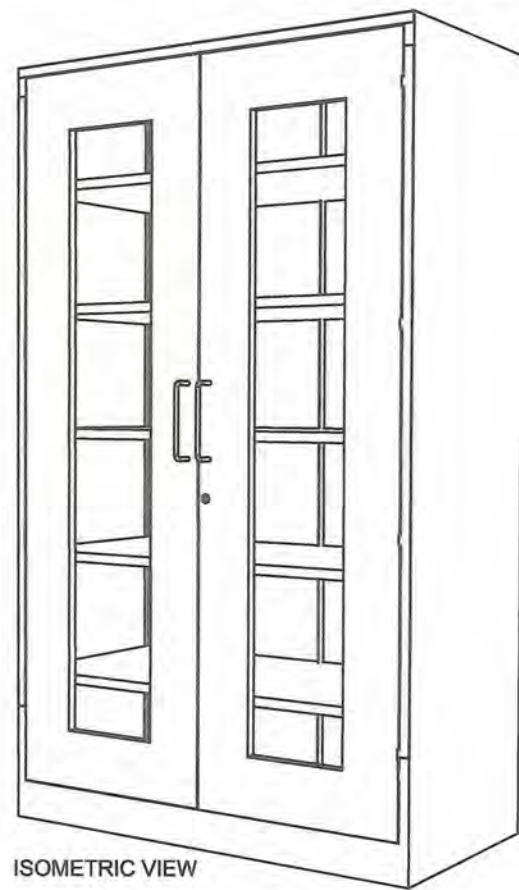
Date OCTOBER 2021	Scale NTS	TVL TOOLS AND EQUIPMENT	
Conceptualized by		Item Name DETACHABLE HINGE DETAILS (CABINET # 1)	Sheet 14/14
Drawn by B.C. Lisondra		Material 1mm THICK COLD-ROLLED STEEL SHEET	File name CABINETDESIGN1
Designed by B.C. Lisondra		 DepED-BLR	
Q.C. Checked by J.N. Arjoja			
Recommended by A.B. Ybañez			
Approved by R.C. La Rosa			



FRONT VIEW



SIDE VIEW



ISOMETRIC VIEW

Description :


- Finish : Polished
- Material : 1.00mm Thick Stainless Steel 304 Sheet, 6mm thick Flexi-Glass Door
- Size : 2.0 meters x 1.20 meters x 0.6 meters
- Feature : Durable and Rigid

About Cabinet :

1. 1.00mm thickness stainless steel 304 sheet then polished.
2. The cabinet body's material is stainless steel 304.
3. 2 Swinging flexi-glass doors with 2pcs stainless steel 304 handle bars(10mm diameter Stainless Steel 304 Round Bar x 7in. screw mounted in between center.
* 1 set (Full door 3 way CAM locking system w/ key), and 4 heavy duty detachable hinges (3 inches long) on each door.
4. 5 Adjustable and detachable shelves with support set.
5. Bolts and nuts must be installed as fasteners.
6. Tongue and groove must be provided to interlock the bottom cover(tongue), side panels and back panels (groove).
7. The 3 way CAM Locking system of the collapsible cabinet door is subject for approval during sample evaluation.
8. Cabinet must be mounted on the WALL using 2pcs. Ø3/8 inches x 2 inches METAL EXPANSION BOLT with Ø20mm x 2mm thick washer.

GENERAL NOTES:

1. All dimensions are in millimeter unless otherwise specified.
2. Remove burrs and sharp edges.

Date OCTOBER 2021	Scale NTS	TVL TOOLS AND EQUIPMENT	
Conceptualized by B.C. Lisondra			
Drawn by B.C. Lisondra	Q.C. Checked by J.N. Prioja	Material 1mm THICK STAINLESS STEEL 304 SHEET	File name CABINETDESIGN2
Recommended by A.B. Ybanez	Approved by R.C. La Rosa	 DepED-BLR	

1 2 3 4 5 6

A

B

C

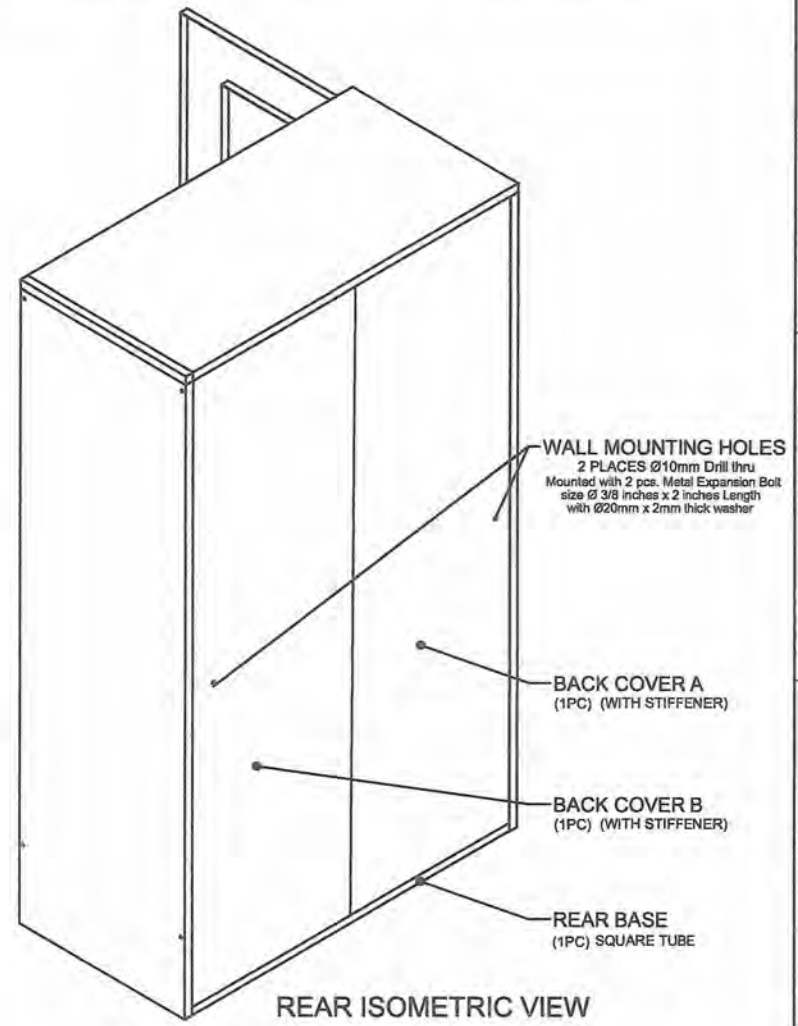
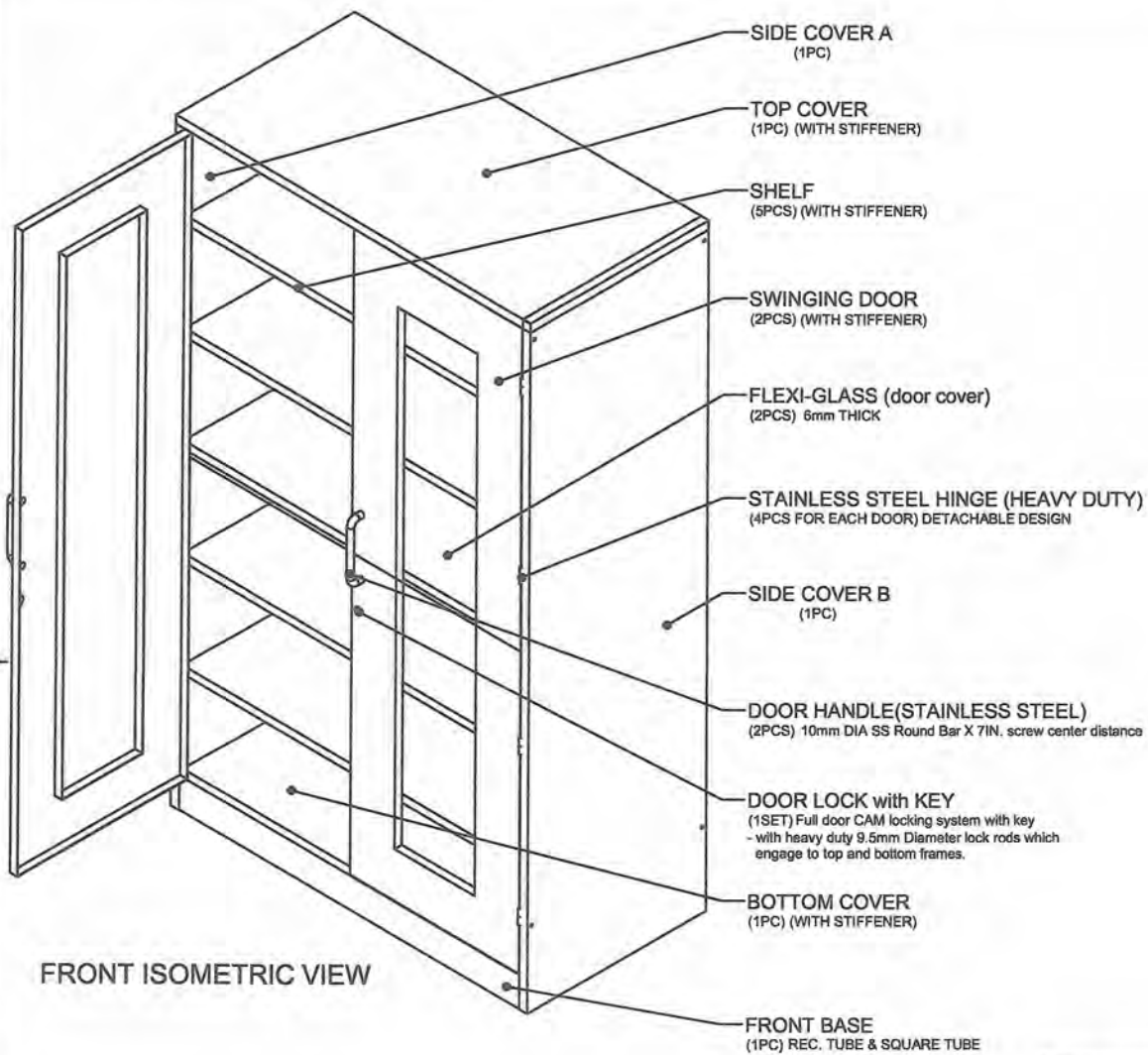
D

A

B


C

D

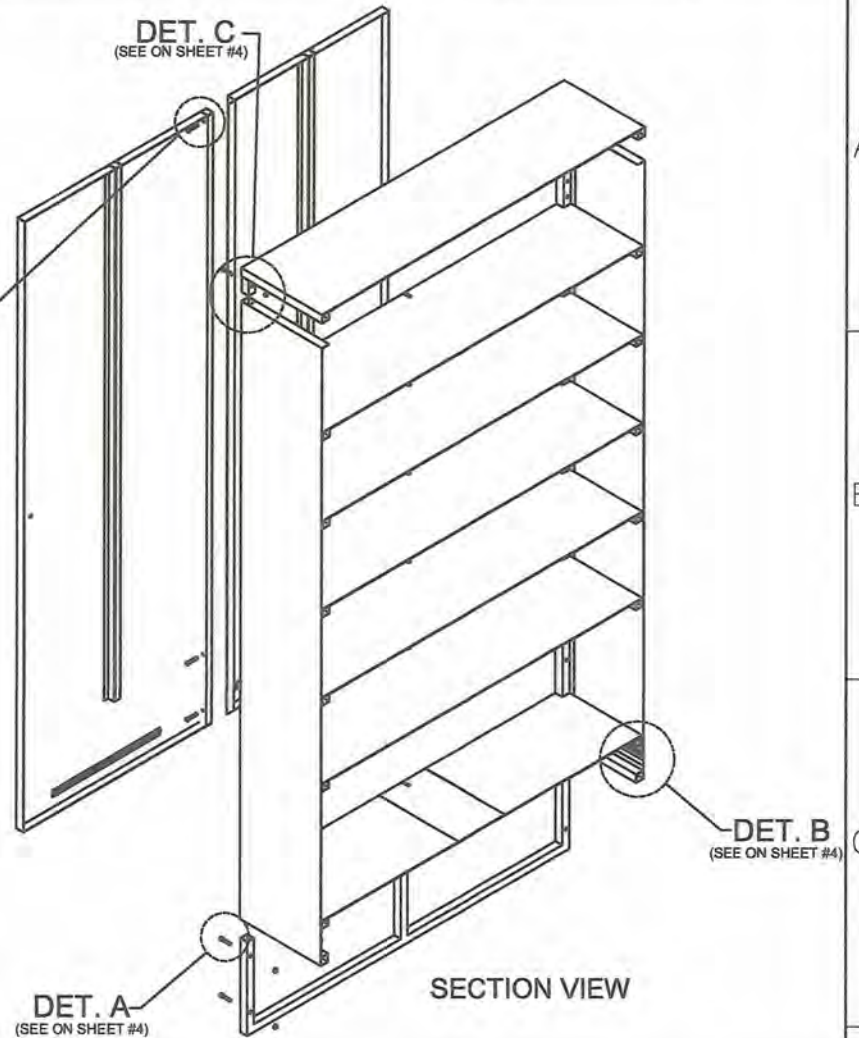
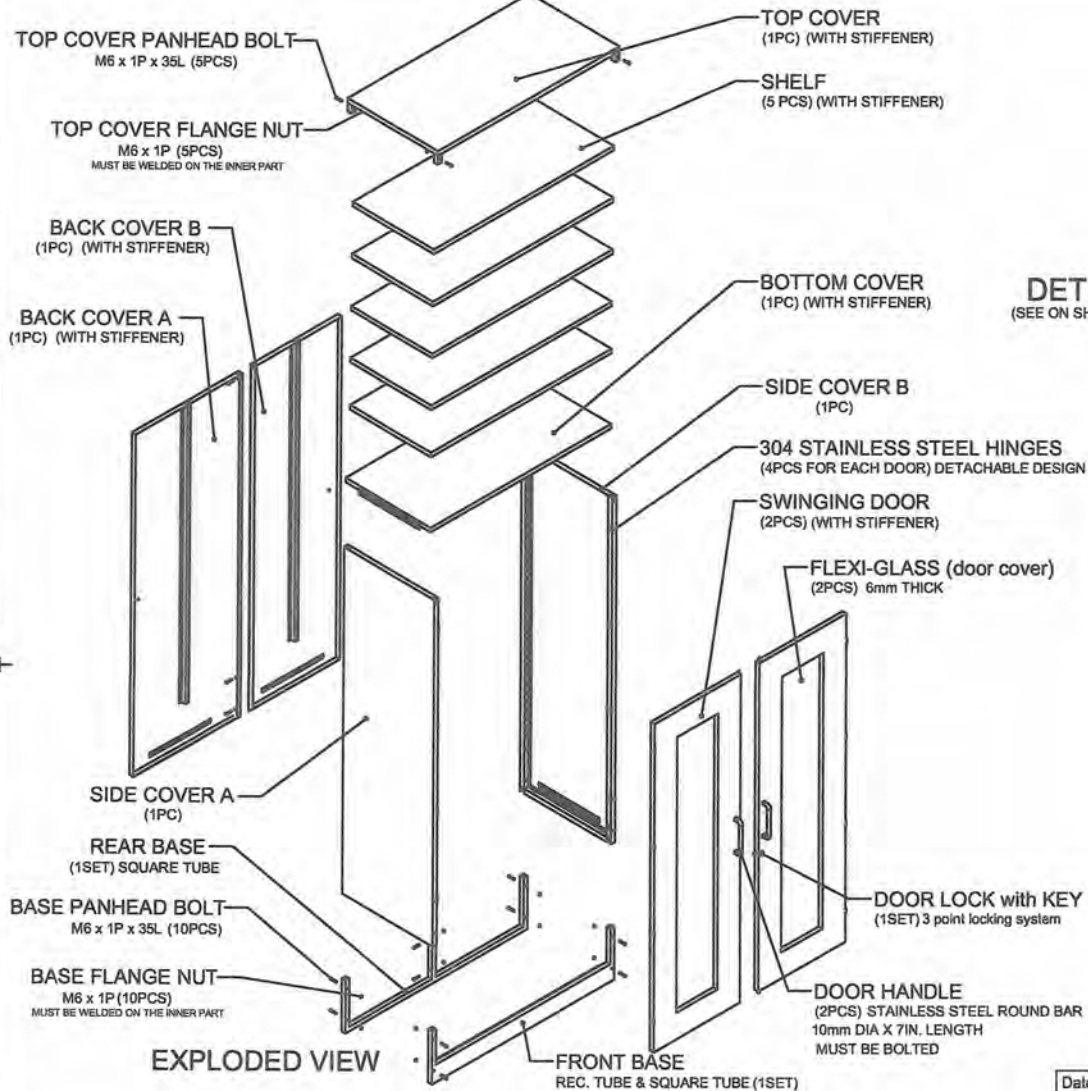


GENERAL NOTES:

1. All dimensions are in millimeter unless otherwise specified.
2. Remove burrs and sharp edges.

Date OCTOBER 2021	Scale NTS	TVL TOOLS AND EQUIPMENT	
Conceptualized by		Item Name COLLAPSIBLE STAINLESS STEEL CABINET PARTS (CABINET # 2)	Sheet 02/14
Drawn by B.C. Lisondra		Material 1mm THICK STAINLESS STEEL 304 SHEET	File name CABINETDESIGN2
Designed by B.C. Lisondra		Q.C. Checked by J.N. Arloja	 DepED-BLR
Recommended by A.B. Ybanez		Approved by R.C. La Rosa	

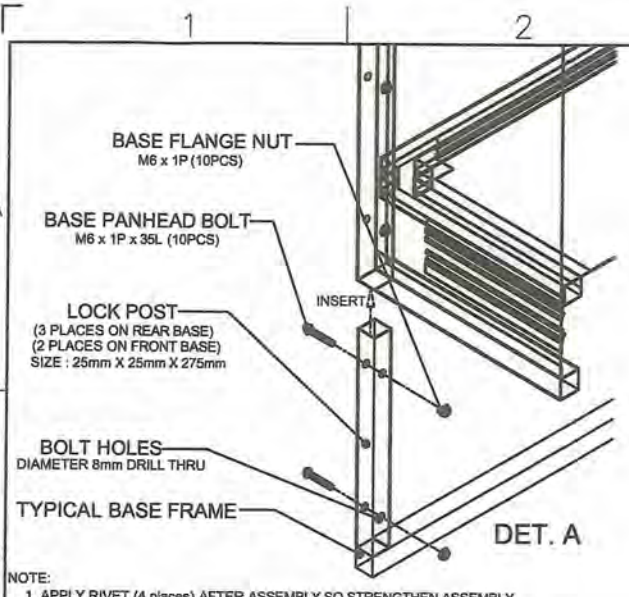
1 2 3 4 5 6



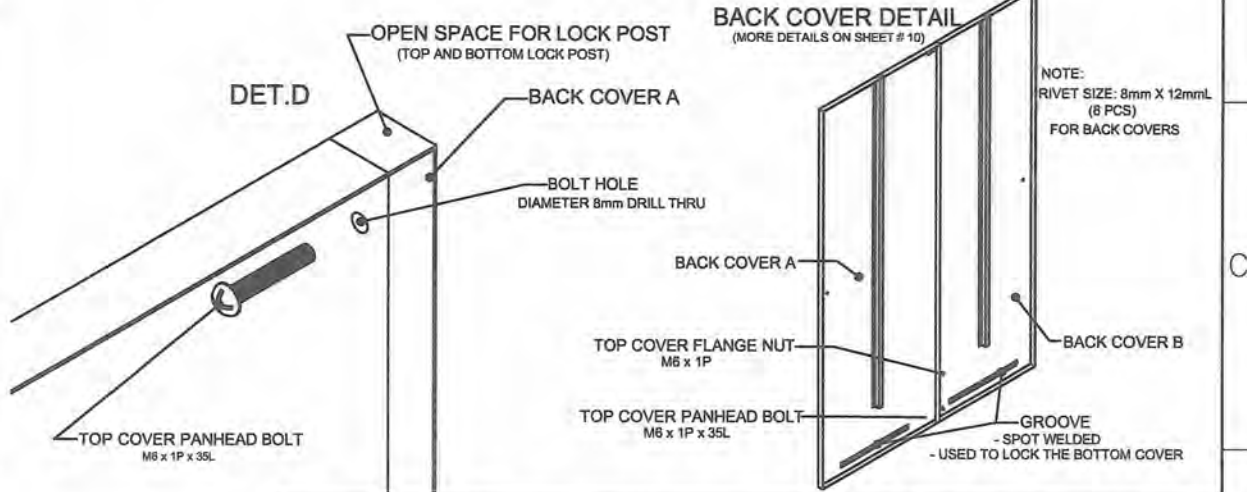
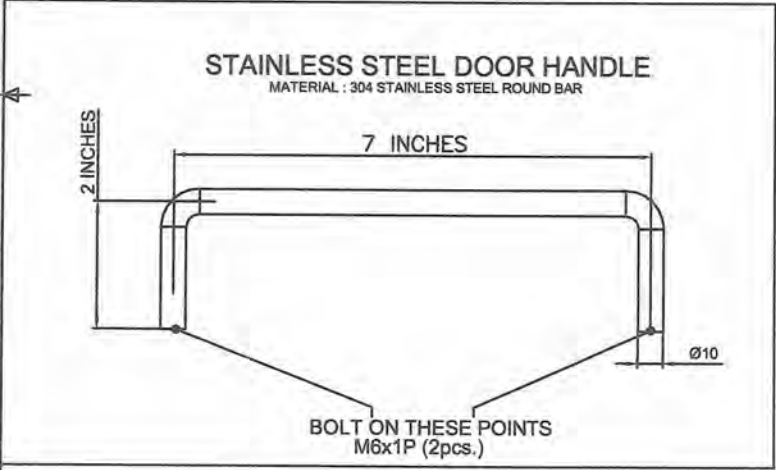
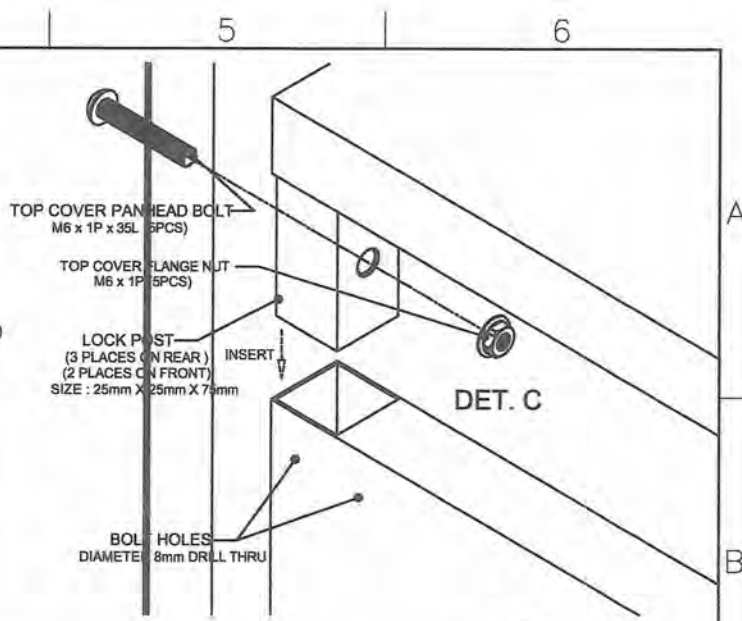
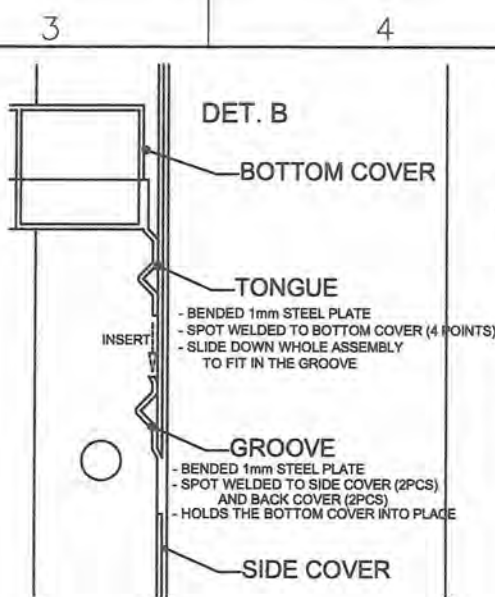
GENERAL NOTES:

1. All dimensions are in millimeter unless otherwise specified.
2. Remove burrs and sharp edges.


Date OCTOBER 2021	Scale NTS	TVL TOOLS AND EQUIPMENT	
Conceptualized by		Item Name COLLAPSIBLE STAINLESS STEEL CABINET ASSEMBLY (CABINET # 2)	Sheet 03/14
Drawn by B.C. Lisondra	Q.C. Checked by J.N. Arjoja	Material 1mm THICK STAINLESS STEEL 304 SHEET	File name CABINETDESIGN2
Designed by B.C. Lisondra	Recommended by A.B. Ybafiez	 DepED-BLR	
Approved by R.C. La Rosa			

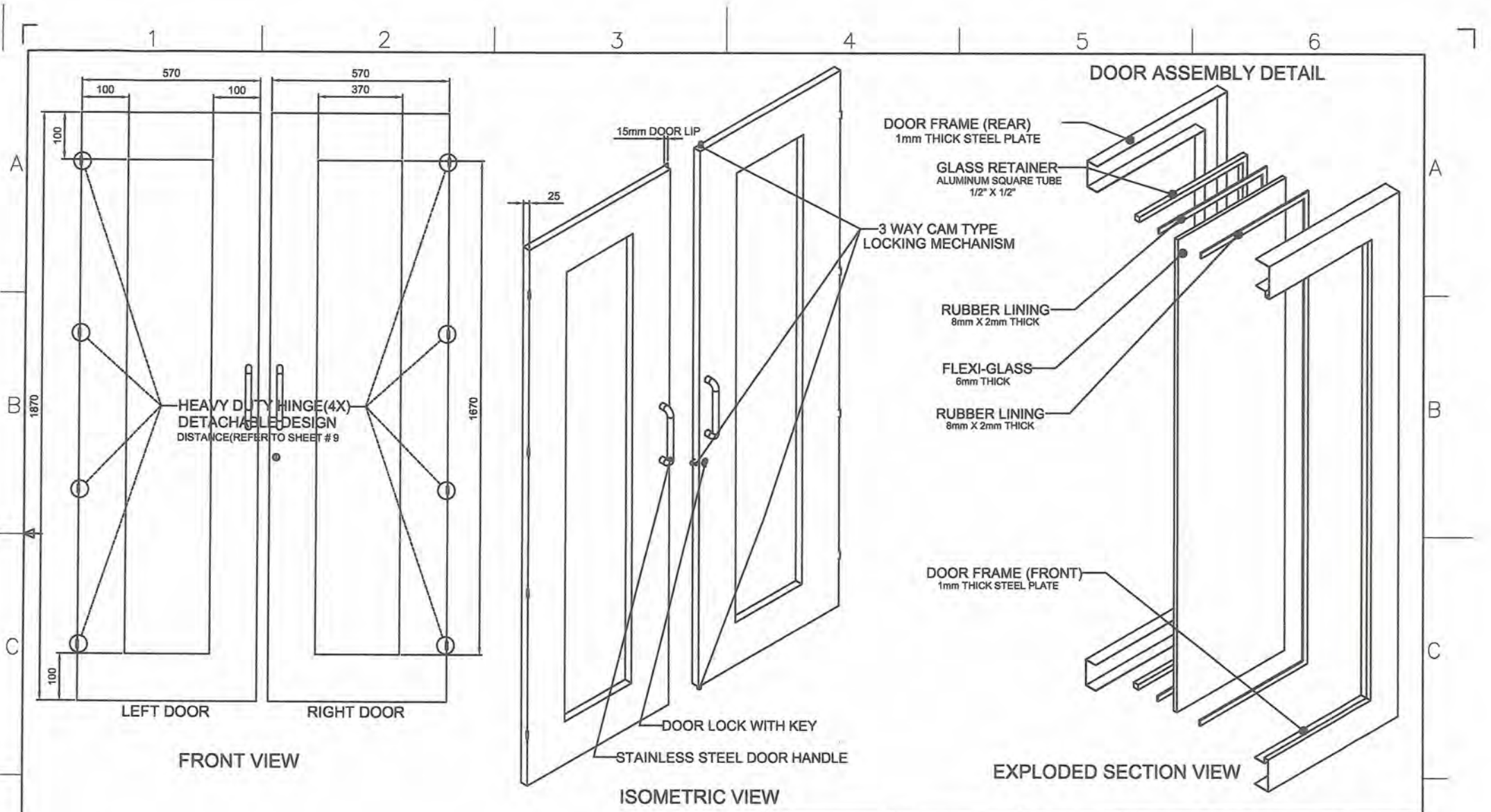


NOTE:
 1. APPLY RIVET (4 places) AFTER ASSEMBLY SO STRENGTHEN ASSEMBLY
 2. ALUMINUM RIVET (Diameter 8mm x 12mm length)



GENERAL NOTES:
 1. All dimensions are in millimeter unless otherwise specified.
 2. Remove burrs and sharp edges.

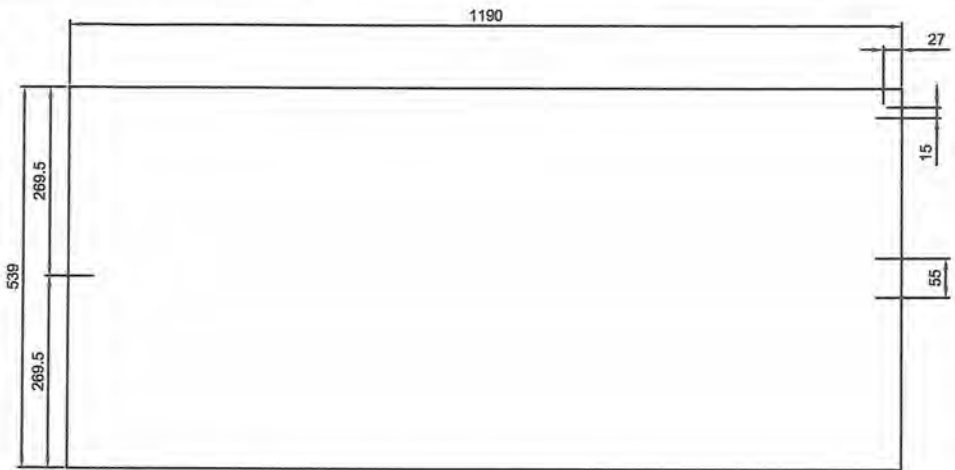
Date OCTOBER 2021	Scale NTS	TVL TOOLS AND EQUIPMENT	
Conceptualized by		Item Name ASSEMBLY DETAILS (CABINET # 2)	Sheet 04/14
Drawn by B.C. Lisonora	Q.C. Checked by J.N. Arloja	Material 1mm THICK STAINLESS STEEL 304 SHEET	File name CABINETDESIGN2
Recommended by A.B. Ybarñez	Approved by R.C. La Rosa	 DepED-BlR	



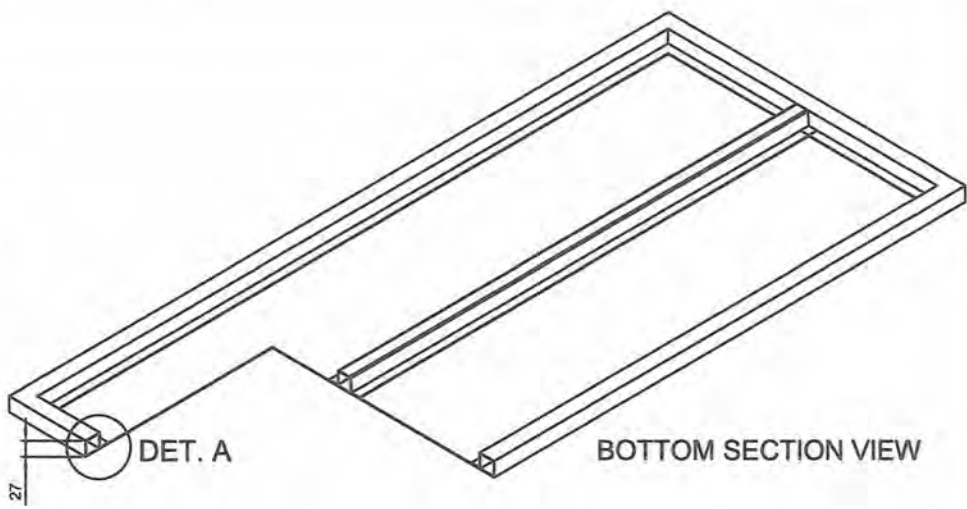
GENERAL NOTES:

1. All dimensions are in millimeter unless otherwise specified.
2. Remove burrs and sharp edges.

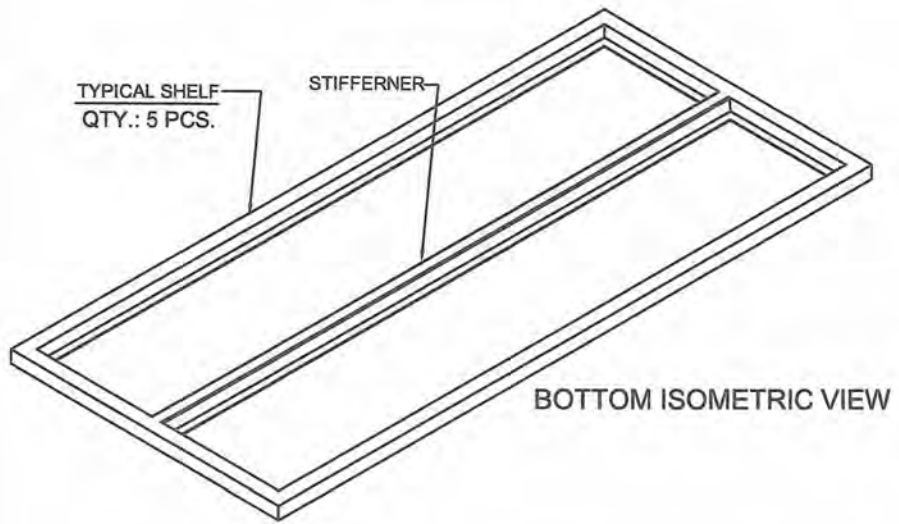
Date OCTOBER 2021	Scale NTS	TVL TOOLS AND EQUIPMENT	
Conceptualized by		Item Name DOOR DETAILS (CABINET # 2)	Sheet 05 / 14
Drawn by B.C. Lisondra	Q.C. Checked by J.N. Arjoja	Material 1mm THICK STAINLESS STEEL 304 SHEET	File name CABINETDESIGN2
Recommended by A.B. Ybañez	Approved by R.C. La Rosa	 DepED-BLR	



TOP VIEW

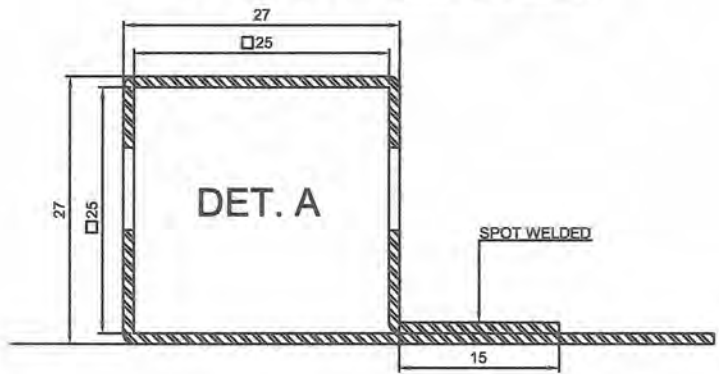


BOTTOM SECTION VIEW



BOTTOM ISOMETRIC VIEW

TYPICAL BENDING DETAIL

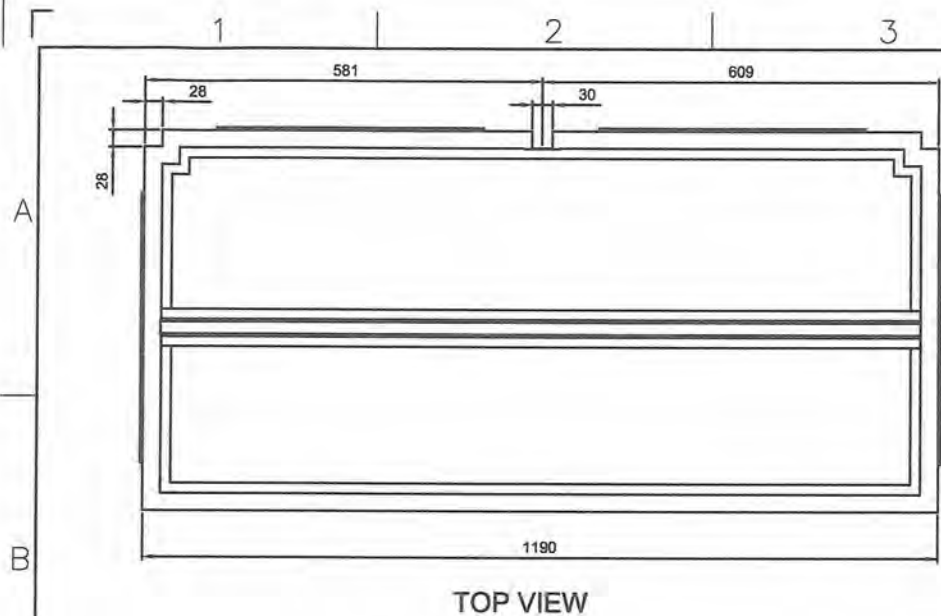


SECTION VIEW

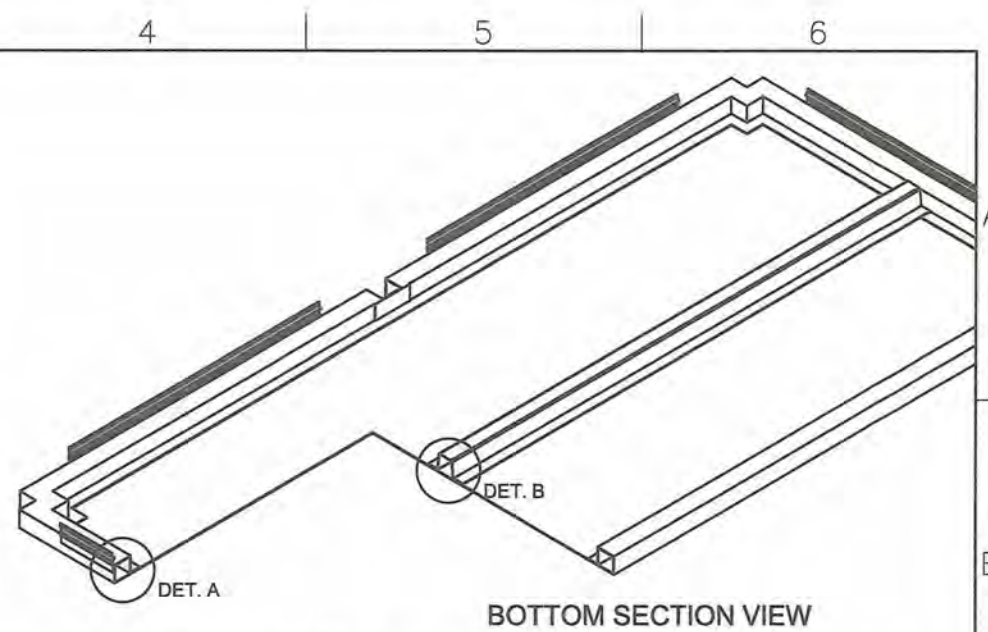
GENERAL NOTES:

1. All dimensions are in millimeter unless otherwise specified.
2. Remove burrs and sharp edges.

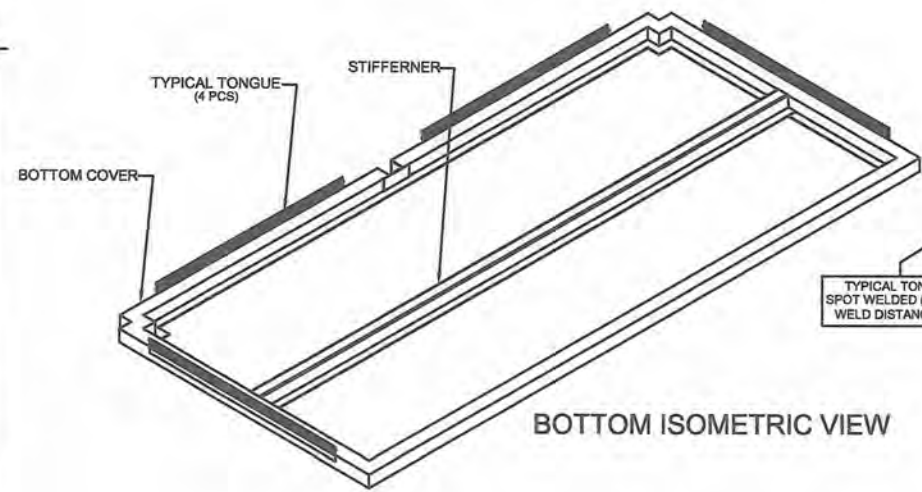
Date OCTOBER 2021	Scale NTS	TVL TOOLS AND EQUIPMENT	
Conceptualized by		Item Name TYPICAL SHELF DETAILS (CABINET # 2)	Sheet 06 / 14
Drawn by B.C. Lisondra	Q.C. Checked by J.N. Arioja	Material 1mm THICK STAINLESS STEEL 304 SHEET	File name CABINETDESIGN2
Designed by B.C. Lisondra	Recommended by A.B. Ybanez	 DepED-BLR	
Approved by R.C. La Rosa			



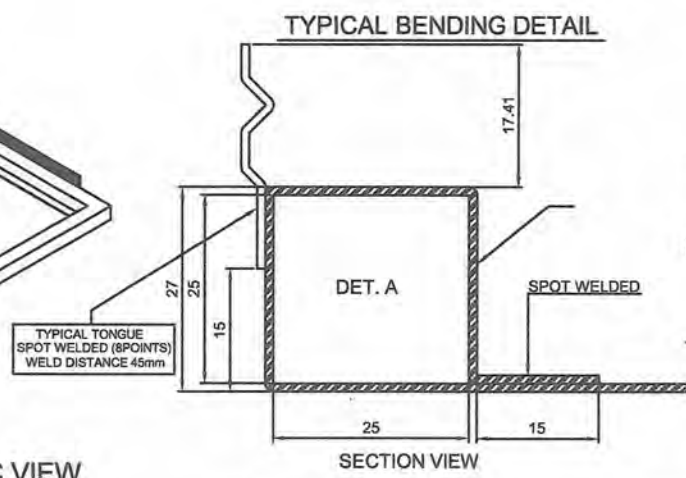
TOP VIEW



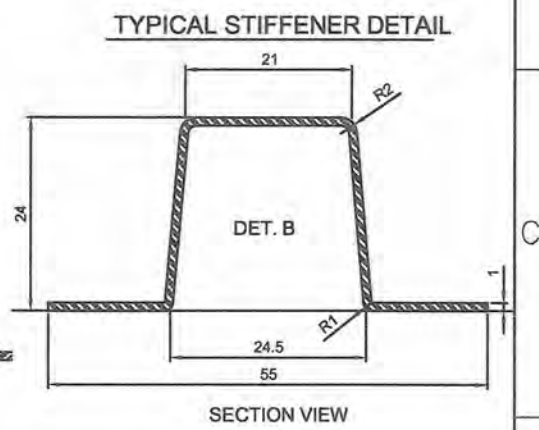
BOTTOM SECTION VIEW



BOTTOM ISOMETRIC VIEW



SECTION VIEW

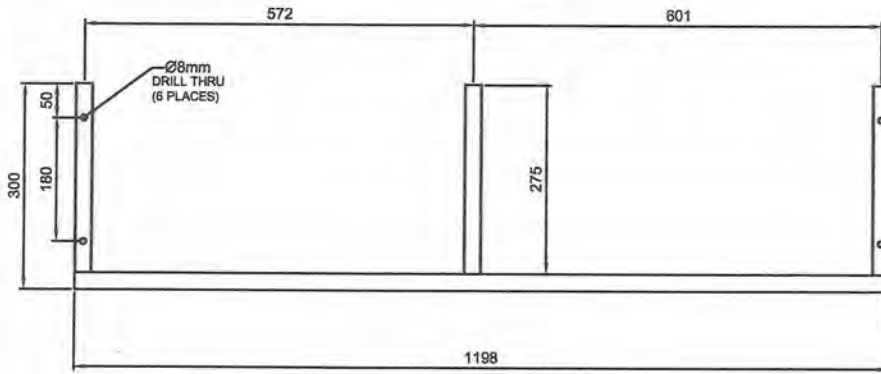


SECTION VIEW

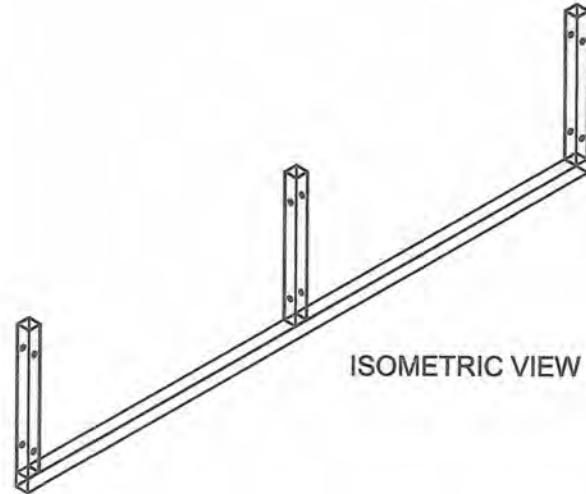
GENERAL NOTES:
 1. All dimensions are in millimeter unless otherwise specified.
 2. Remove burrs and sharp edges.

Date OCTOBER 2021	Scale NTS	TVL TOOLS AND EQUIPMENT	
Conceptualized by		Item Name BOTTOM COVER DETAILS (CABINET # 2)	Sheet 07/14
Drawn by B.C. Lisondra	Q.C. Checked by J.N. Arioja	Material 1mm THICK STAINLESS STEEL 304 SHEET	File name CABINETDESIGN2
Recommended by A.B. Ybanez	Approved by R.C. La Rosa	 DepED-BlR	

REAR BASE FRAME



FRONT VIEW

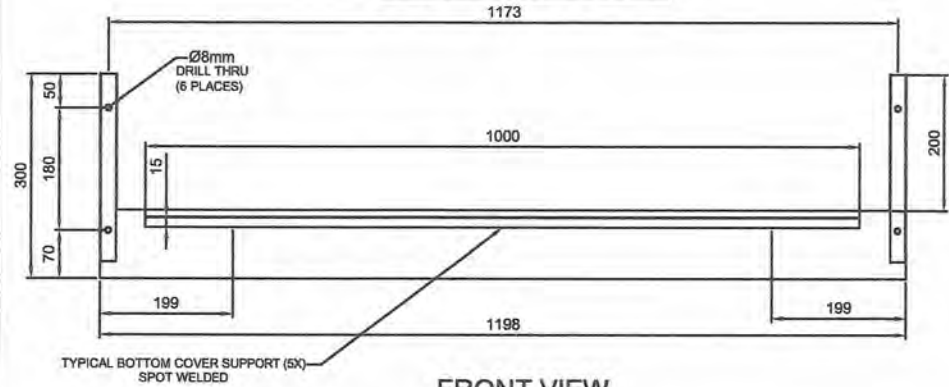


ISOMETRIC VIEW

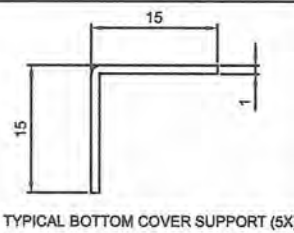
GENERAL NOTES:

1. All dimensions are in millimeter unless otherwise specified.
2. Remove burrs and sharp edges.

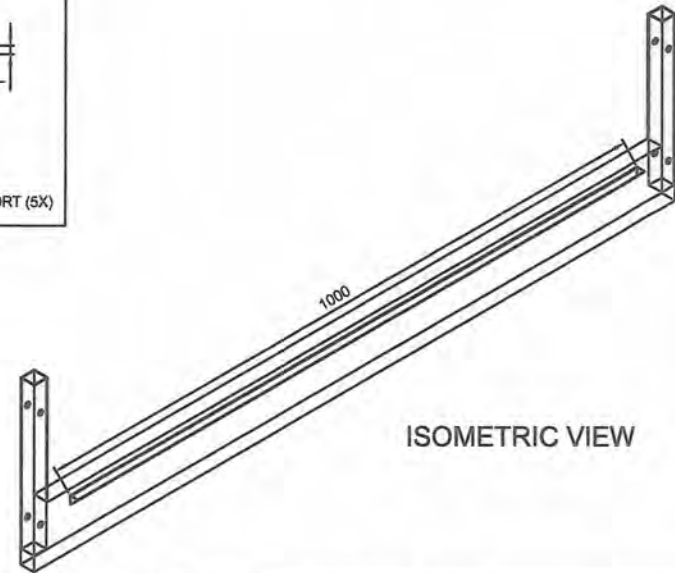
FRONT BASE FRAME




FRONT VIEW

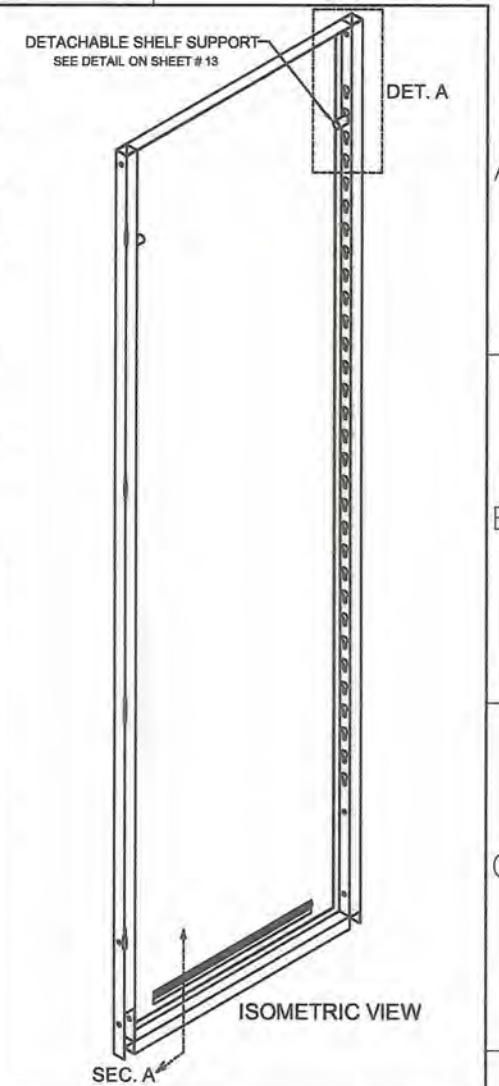
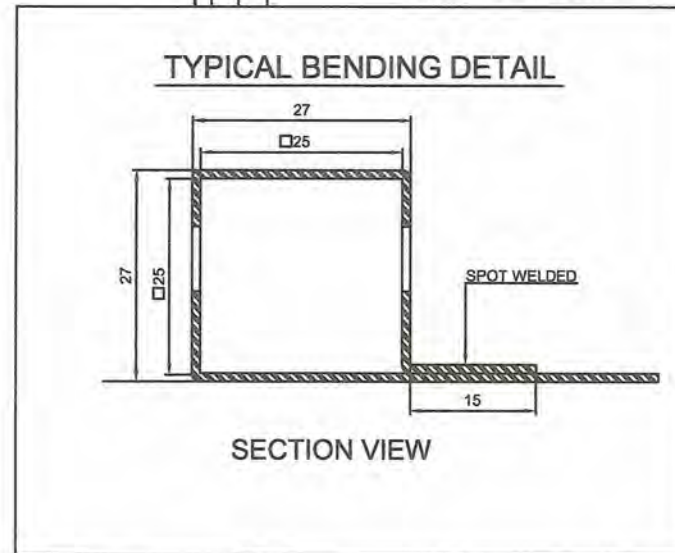
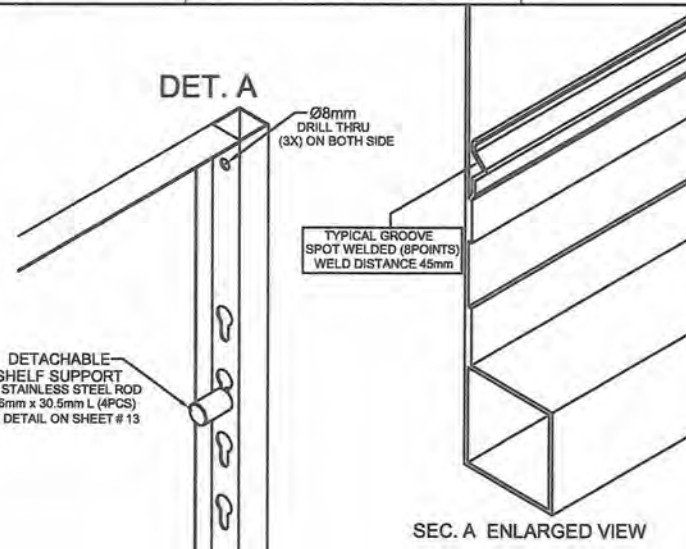
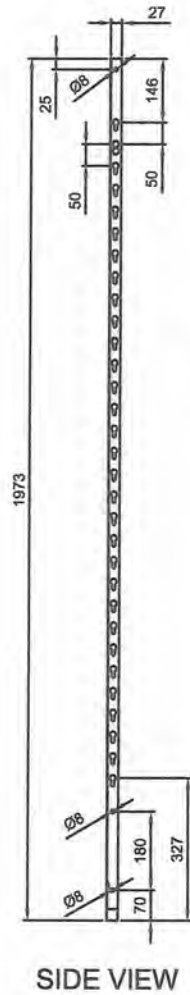
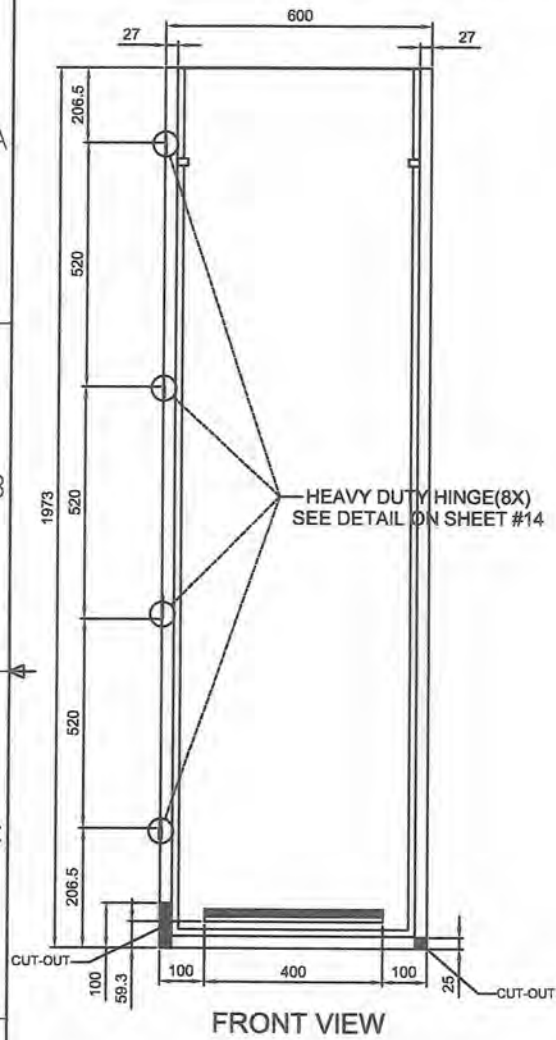


TYPICAL BOTTOM COVER SUPPORT (5X)



ISOMETRIC VIEW

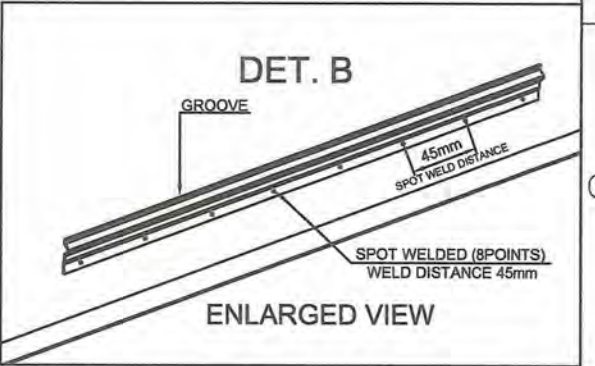
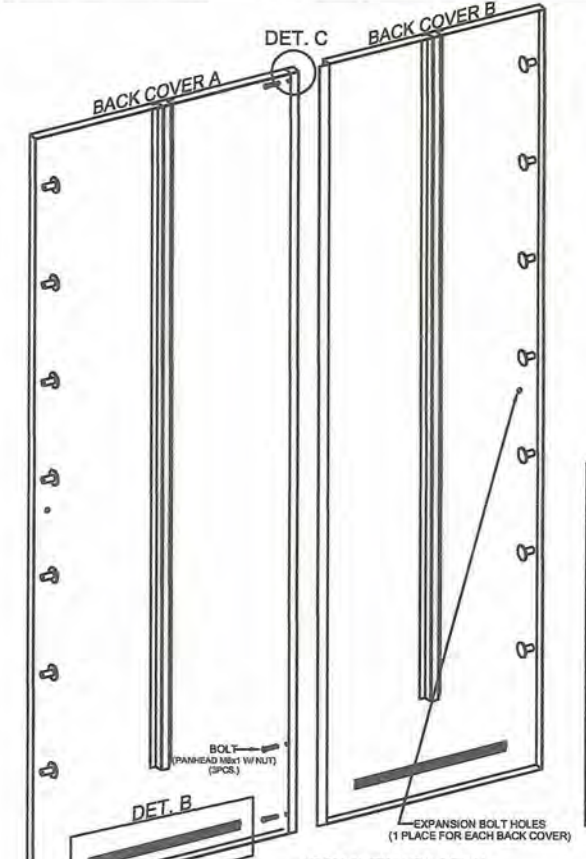
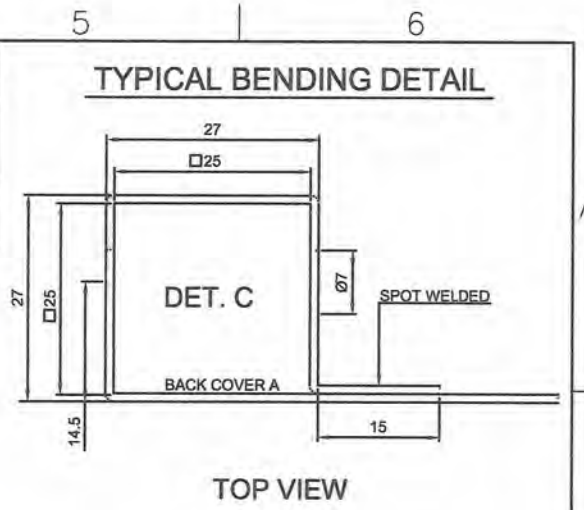
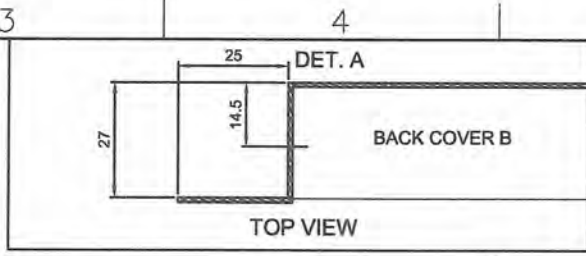
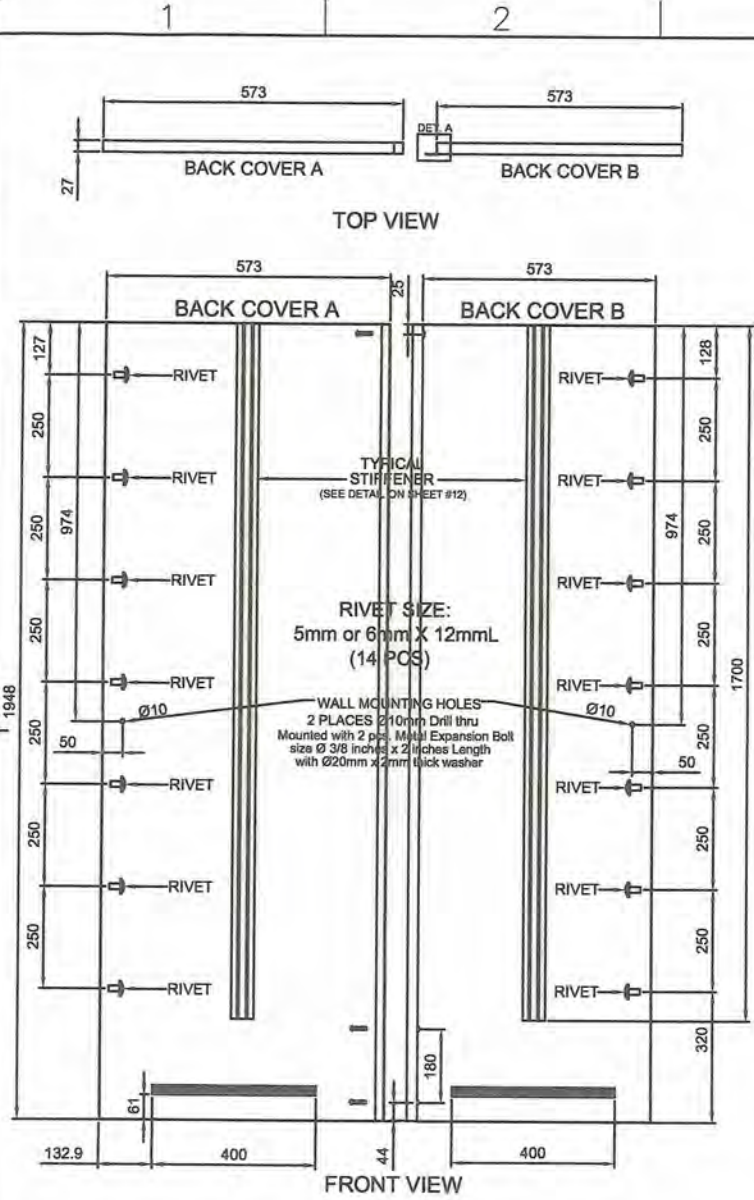
Date OCTOBER 2021	Scale NTS	TVL TOOLS AND EQUIPMENT	
Conceptualized by		Item Name BASE FRAME DETAILS (CABINET # 2)	Sheet 08/14
Drawn by B.C. Lisondra	Q.C. Checked by J.N. Ajoja	Material 1mm THICK STAINLESS STEEL 304 SHEET	File name CABINETDESIGN2
Recommended by A.B. Ybanez	Approved by R.C. La Rosa	 DepED-BlR	




GENERAL NOTES:

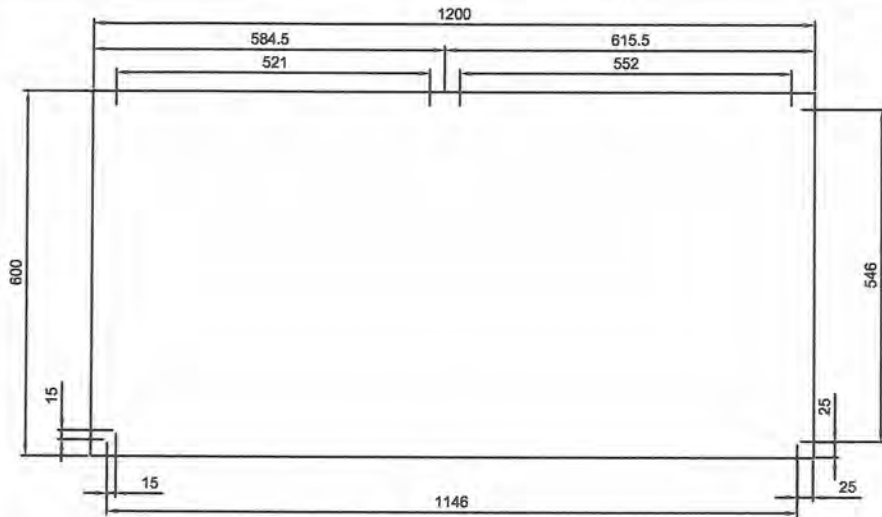
1. All dimensions are in millimeter unless otherwise specified.
2. Remove burrs and sharp edges.

Date OCTOBER 2021	Scale	TVL TOOLS AND EQUIPMENT	
Conceptualized by		Item Name TYPICAL SIDE COVER DETAILS (CABINET # 2)	Sheet 09/14
Drawn by B.C. Lisondra	Q.C. Checked by J.N. Irija	Material 1mm THICK STAINLESS STEEL 304 SHEET	File name CABINETDESIGN2
Recommended by A.B. Ybanez	Approved by R.C. La Rosa	 DepED-BLR	

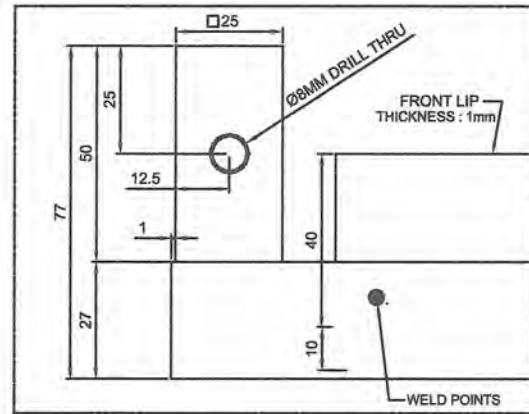


GENERAL NOTES:
 1. All dimensions are in millimeter unless otherwise specified.
 2. Remove burrs and sharp edges.

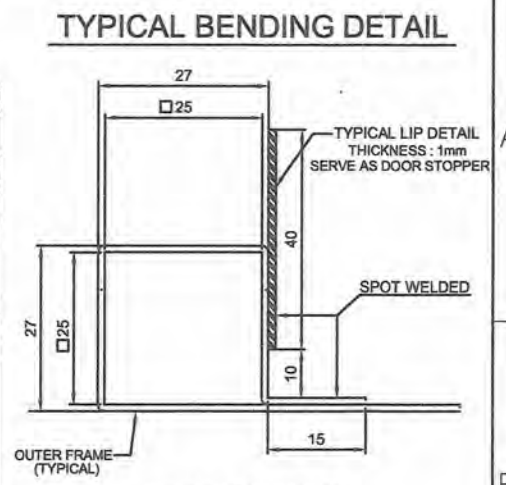
Date OCTOBER 2021	Scale NTS	TVL TOOLS AND EQUIPMENT	
Conceptualized by		Item Name BACK COVER A & B DETAILS (CABINET # 2)	Sheet 10/14
Drawn by B.C. Lisondra	Q.C. Checked by J.N. Hoja	Material 1mm THICK STAINLESS STEEL 304 SHEET	File name CABINETDESIGN2
Recommended by A.B. Ybanez	Approved by R.C. La Rosa	 DepED-BLR	



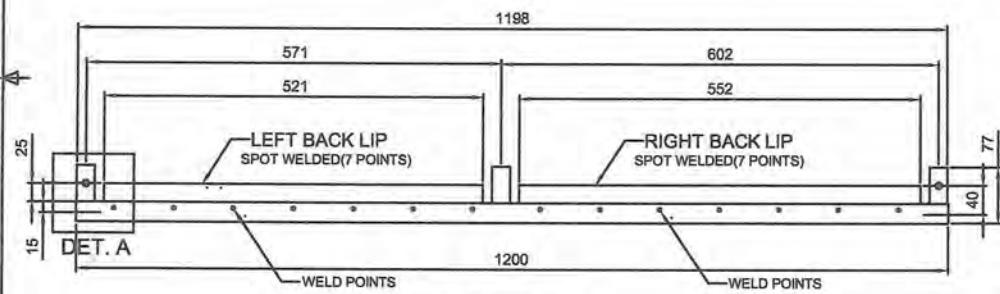
TOP VIEW



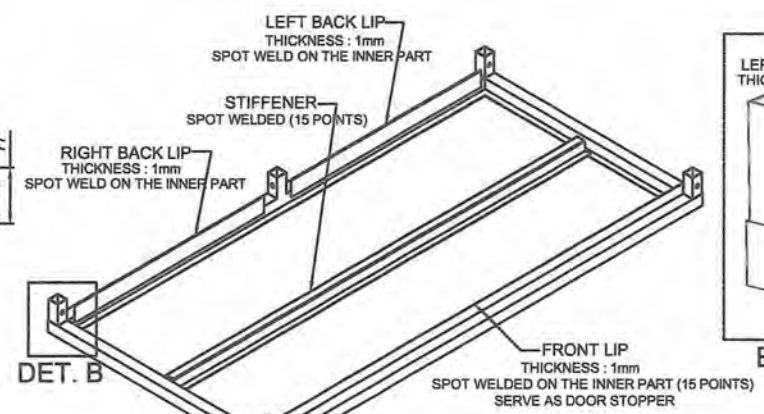
DET. A



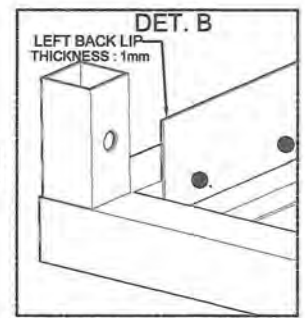
SECTION VIEW



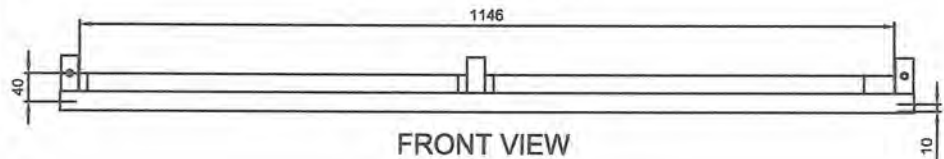
REAR VIEW



BOTTOM ISOMETRIC VIEW



ENLARGED VIEW

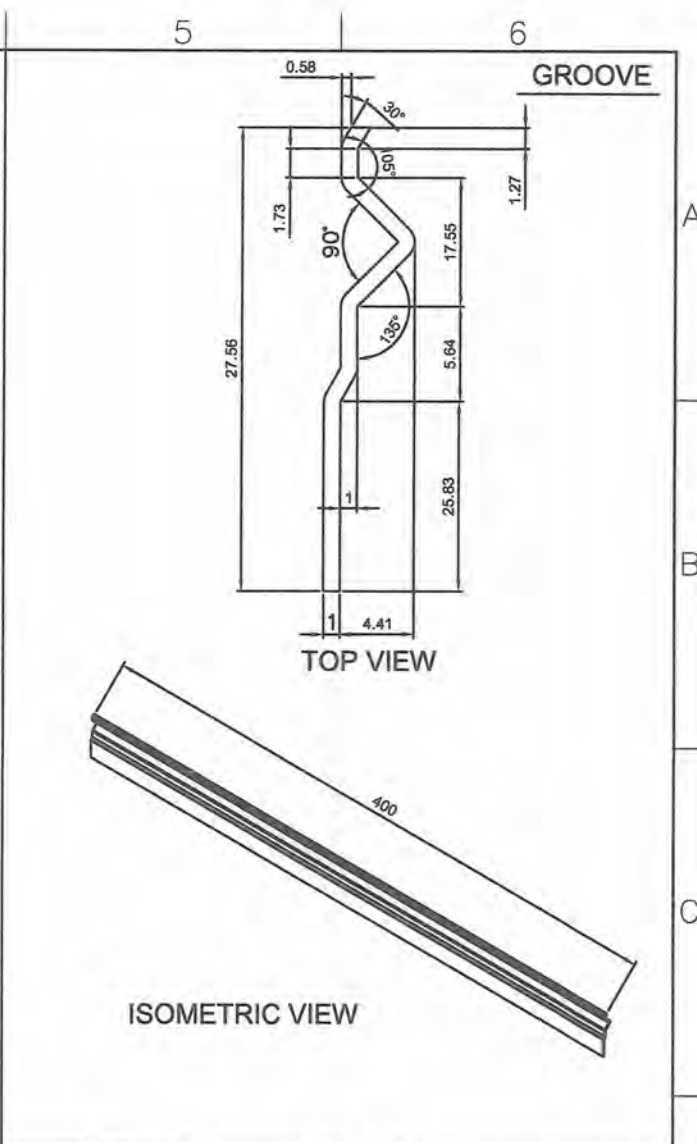
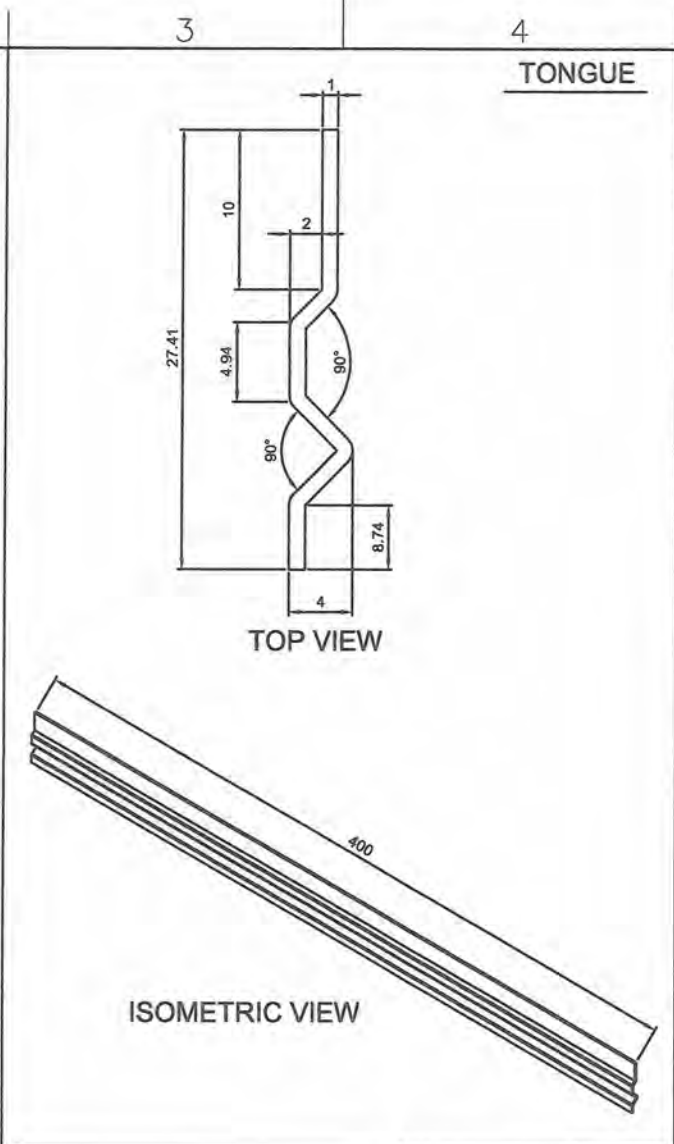
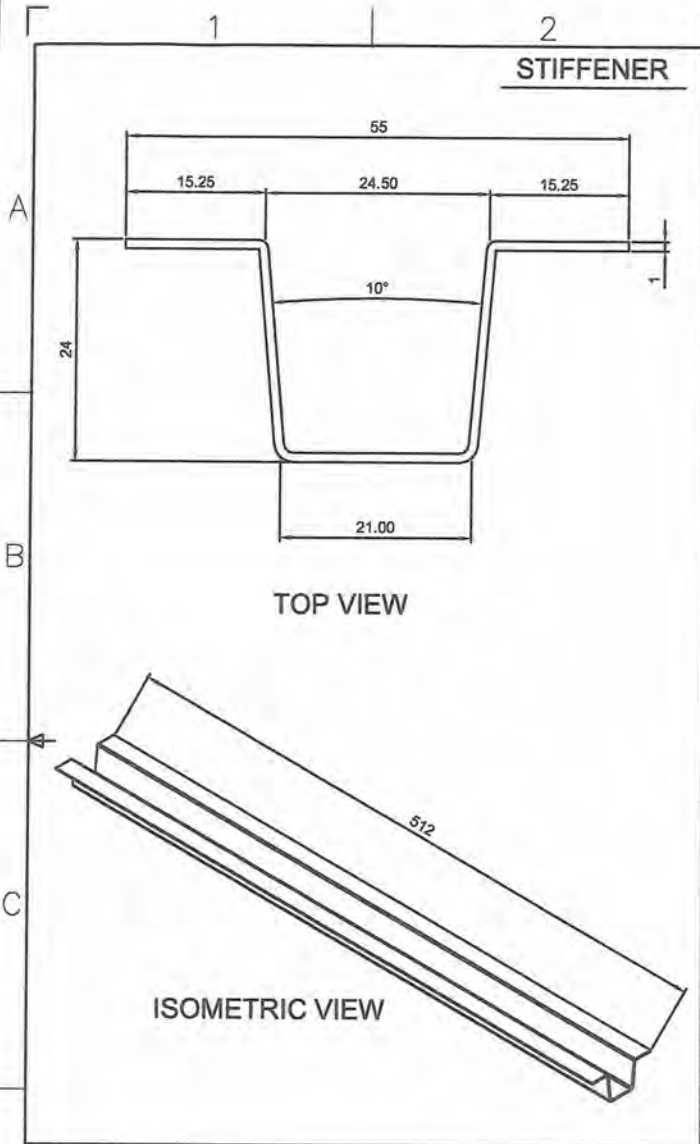



FRONT VIEW

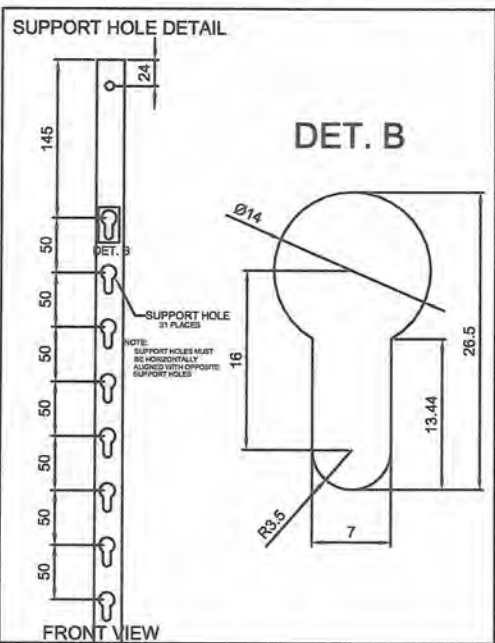
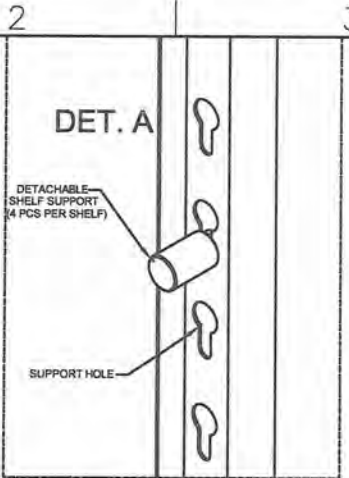
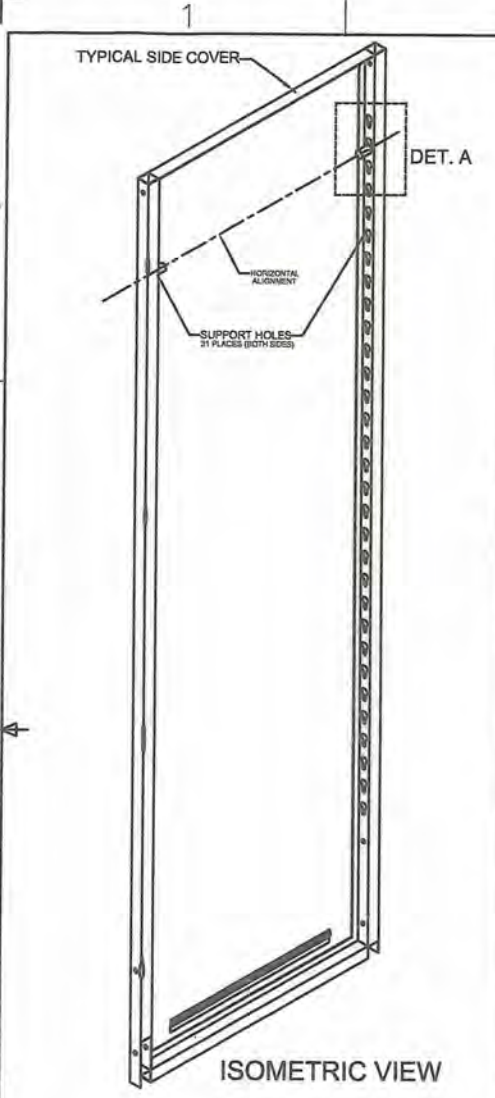
GENERAL NOTES:

1. All dimensions are in millimeter unless otherwise specified.
2. Remove burrs and sharp edges.

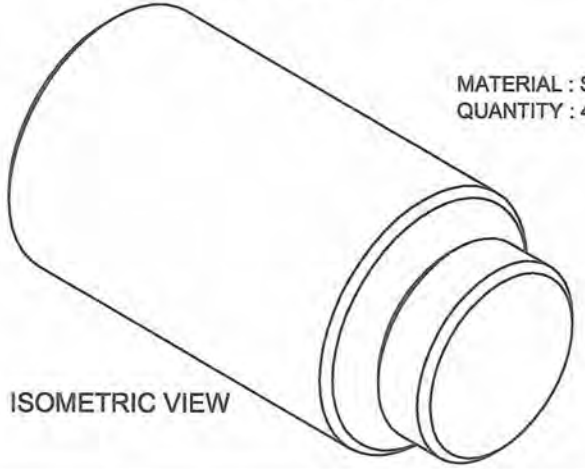
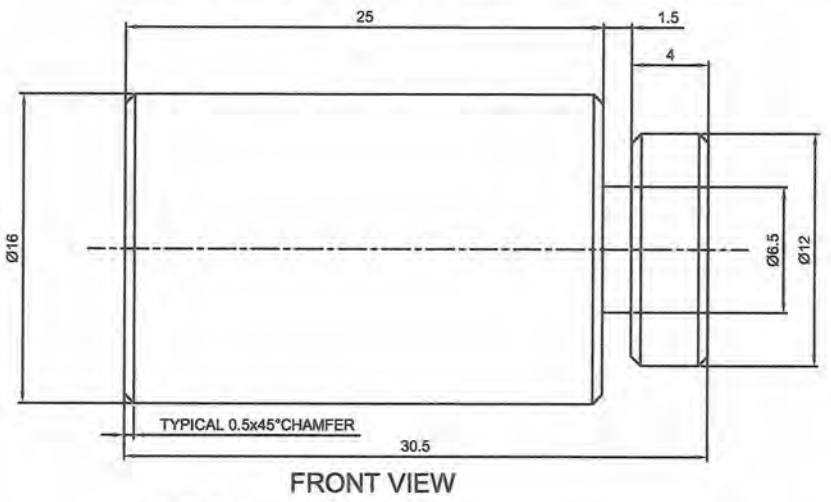
Date OCTOBER 2021	Scale NTS	TVL TOOLS AND EQUIPMENT	
Conceptualized by		Item Name TOP COVER DETAILS (CABINET # 2)	Sheet 11/14
Drawn by B.C. Lisondra	Designed by B.C. Lisondra	Material 1mm THICK STAINLESS STEEL 304 SHEET	File name CABINETDESIGN2
Recommended by A.B. Ybafiez	Q.C. Checked by J.N. Añoja	 DepED-BLR	
Approved by R.C. La Rosa			



<p>GENERAL NOTES:</p> <p>1. All dimensions are in millimeter unless otherwise specified.</p> <p>2. Remove burrs and sharp edges.</p>	Date	Scale	<p>TVL TOOLS AND EQUIPMENT</p>	
	OCTOBER 2021	NTS		
	Conceptualized by	Item Name		Sheet
	Drawn by	TYPICAL LOCKING & REINFORCEMENT DETAILS (CABINET # 2)		12/14
	Designed by	C.C. Checked by	Material	File name
B.C. Lisondra	J.N. Atoja	1mm THICK STAINLESS STEEL 304 SHEET	CABINETDESIGN2	
Recommended by	Approved by		 <p>DepED-BLR</p>	
A.B. Ybanez	R.C. La Rosa			




DETACHABLE SHELF SUPPORT



MATERIAL : STAINLESS STEEL 304
 QUANTITY : 4 PCS. PER SHELF

GENERAL NOTES:
 1. All dimensions are in millimeter unless otherwise specified.
 2. Remove burrs and sharp edges.

Date OCTOBER 2021	Scale NTS	TVL TOOLS AND EQUIPMENT	
Conceptualized by		Item Name DETACHABLE SUPPORT PIN (CABINET # 2)	Sheet 13/14
Drawn by B.C. Lisondra		Material 1mm THICK STAINLESS STEEL 304 SHEET	File name CABINETDESIGN2
Designed by B.C. Lisondra	Q.C. Checked by J.N. Ajoja	 DepED-BLR	
Recommended by A.B. Ybanez	Approved by R.C. La Rosa		