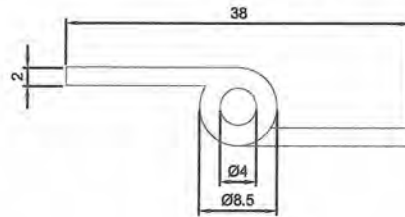
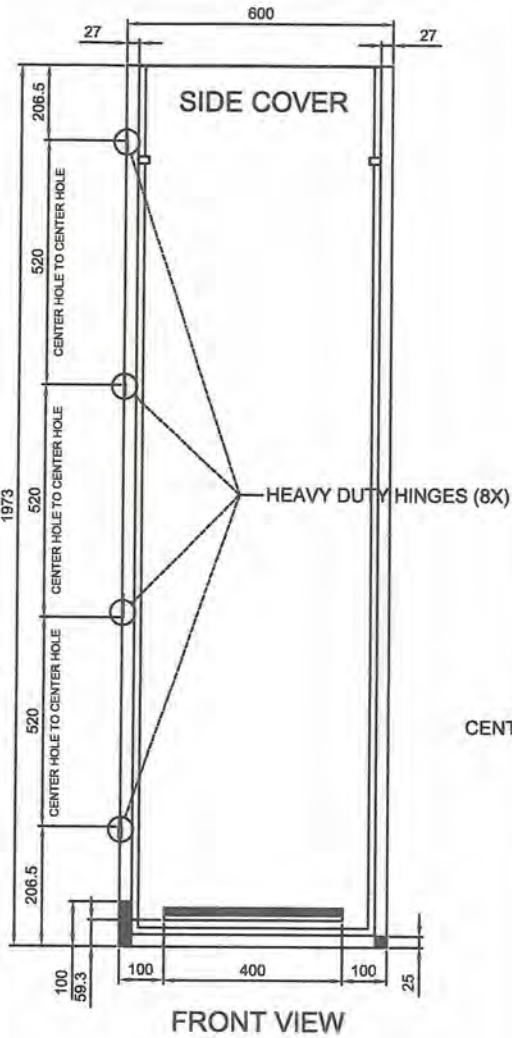
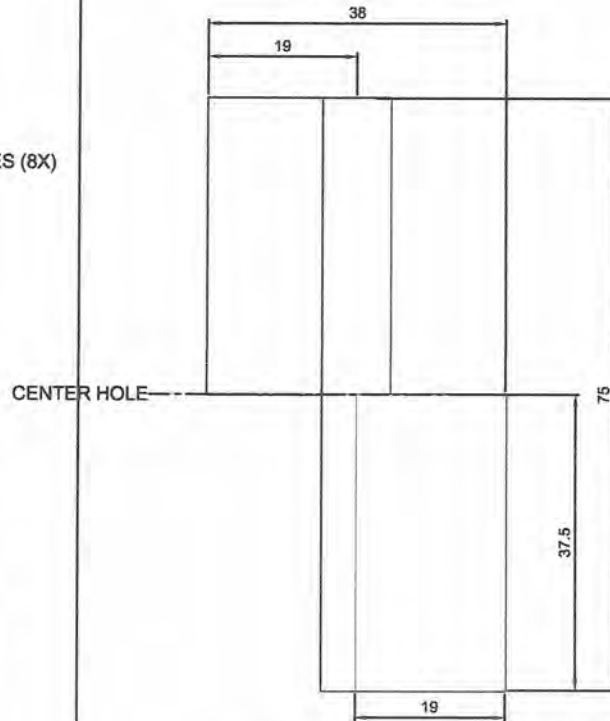


HEAVY DUTY DETACHABLE HINGES DETAIL

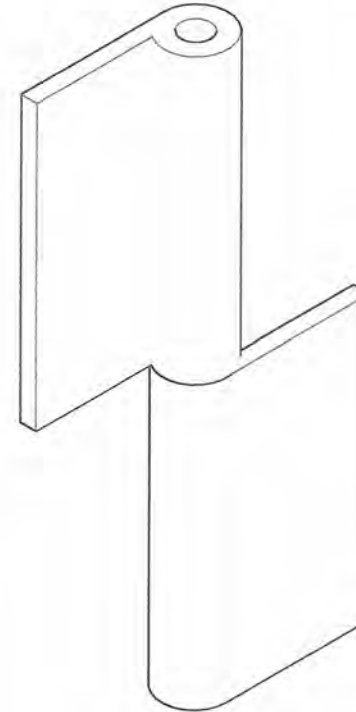
MATERIAL : STAINLESS STEEL 304
 QUANTITY : 4pcs. RIGHT & 4pcs. LEFT HINGE



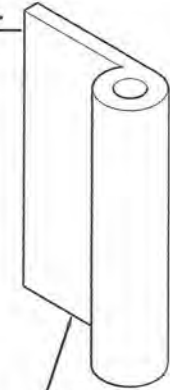
TOP VIEW



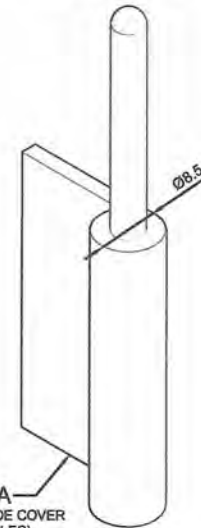
FRONT VIEW



ISOMETRIC VIEW



PART B
 WELDED TO THE DOOR
 (ON THE 3 HOLES)




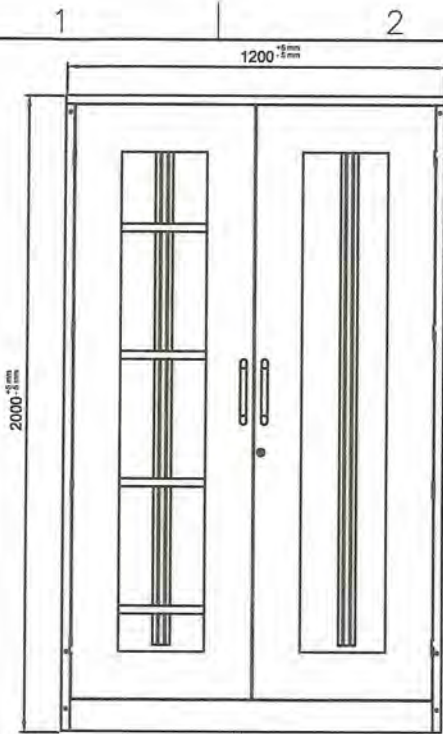
PART A
 WELDED TO THE SIDE COVER
 (ON THE 3 HOLES)

EXPLODED VIEW

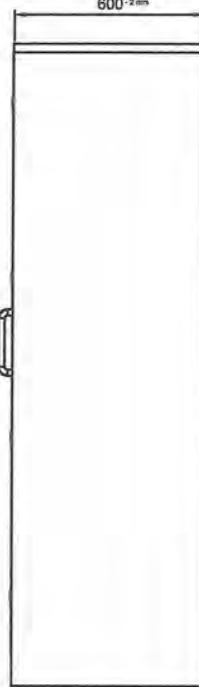
GENERAL NOTES:

1. All dimensions are in millimeter unless otherwise specified.
2. Remove burrs and sharp edges.

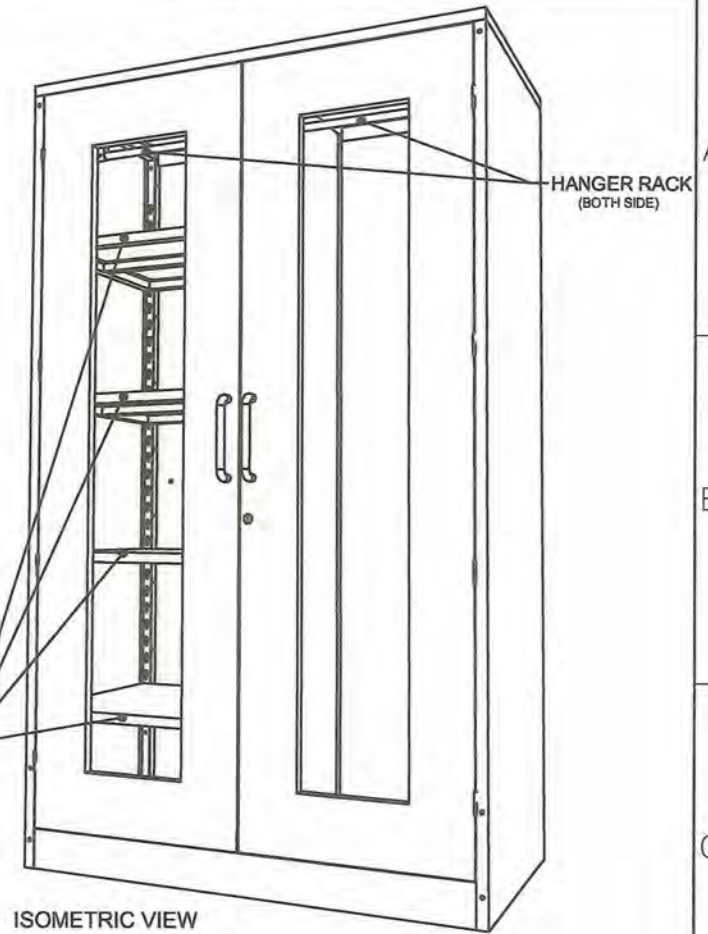
Date OCTOBER 2021	Scale NTS	TVL TOOLS AND EQUIPMENT	
Conceptualized by		Item Name DETACHABLE HINGE DETAILS (CABINET # 2)	Sheet 14/14
Drawn by B.C. Lisondra	Q.C. Checked by J.N. Añoja	Material 1mm THICK STAINLESS STEEL 304 SHEET	File name CABINETDESIGN2
Recommended by A.B. Ybañez	Approved by R.C. La Rosa	 DepED-BLR	



FRONT VIEW



SIDE VIEW



ISOMETRIC VIEW

Description :

- Color : CYAN BLUE: C, M, Y, K (71,53,0,12)
- Material : 1.00mm Thick Cold-rolled Steel Sheet, 6mm thick Flexi-Glass Door
- Size : 2.0 meters x 1.20 meters x 0.6 meters
- Feature : Durable and Rigid

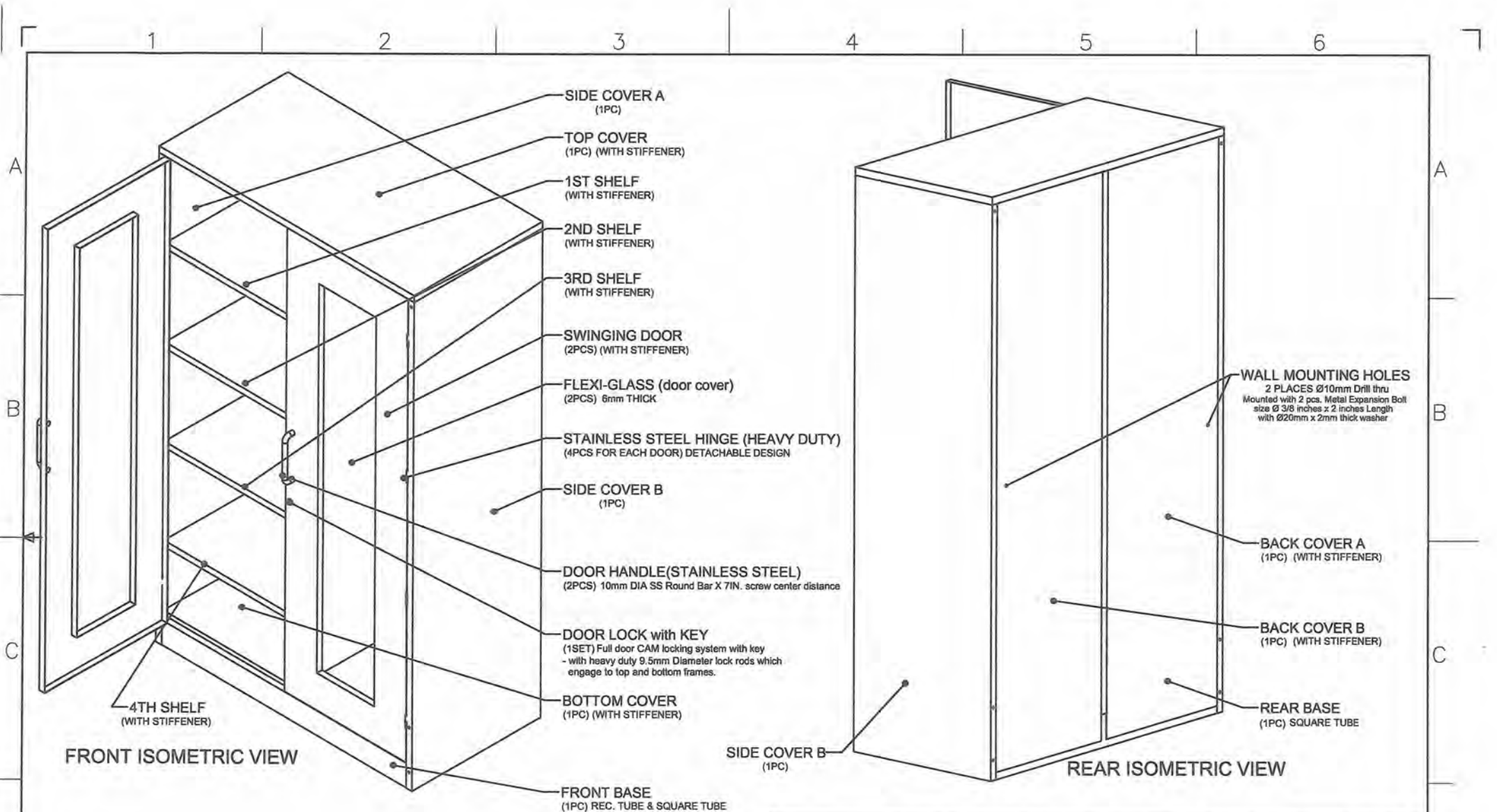
About Cabinet :

1. 1.00mm thickness steel sheet, then powder coat.(Welded surface must be hidden).
2. The cabinet body's material is cold-rolled steel.
3. 2 Swinging flexi-glass doors with 2pcs stainless steel 304 handle bars(10mm diameter Stainless Steel 304 Round Bar x 7in. screw mounted in between center.
* 1 set (Full door 3 way CAM locking system w/ key), and 4 heavy duty detachable hinges(3 inches long) on each door.
4. 4 Adjustable and detachable half shelves on the left side with support set and a hanger rack on both sides.
5. Bolts and nuts must be installed as fasteners.
6. Tongue and groove must be provided to interlock the bottom cover(tongue), side panels and back panels (groove).
7. The 3 way CAM Locking system of the collapsible cabinet door is subject for approval during sample evaluation.
8. Cabinet must be mounted on the WALL using 2pcs. Ø3/8 inches x 2 inches METAL EXPANSION BOLT with Ø20mm x 2mm thick washer.

GENERAL NOTES:

1. All dimensions are in millimeter unless otherwise specified.
2. Remove burrs and sharp edges.

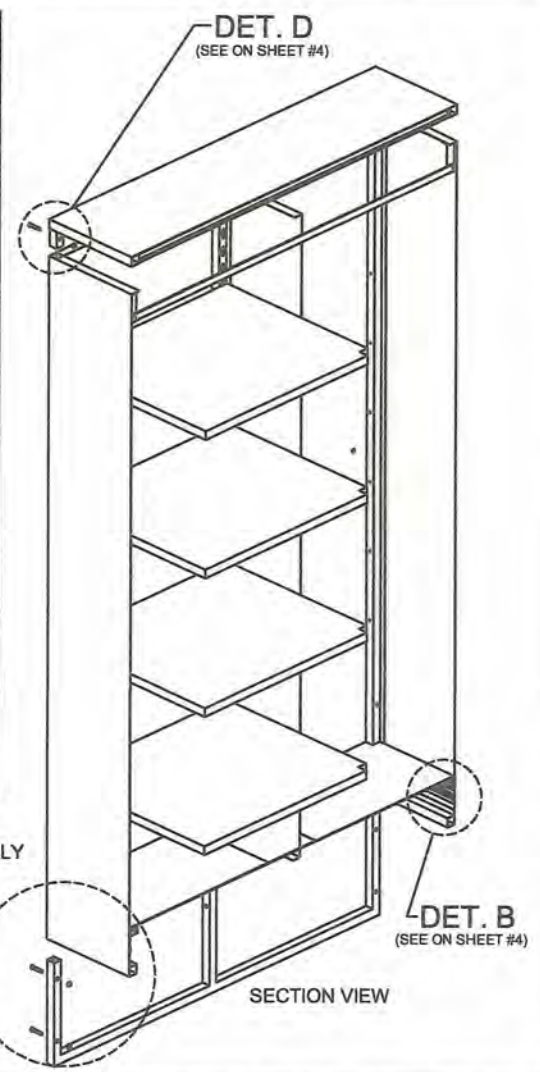
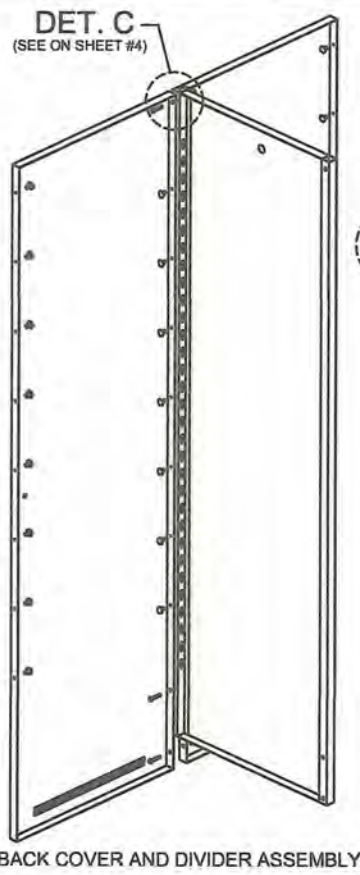
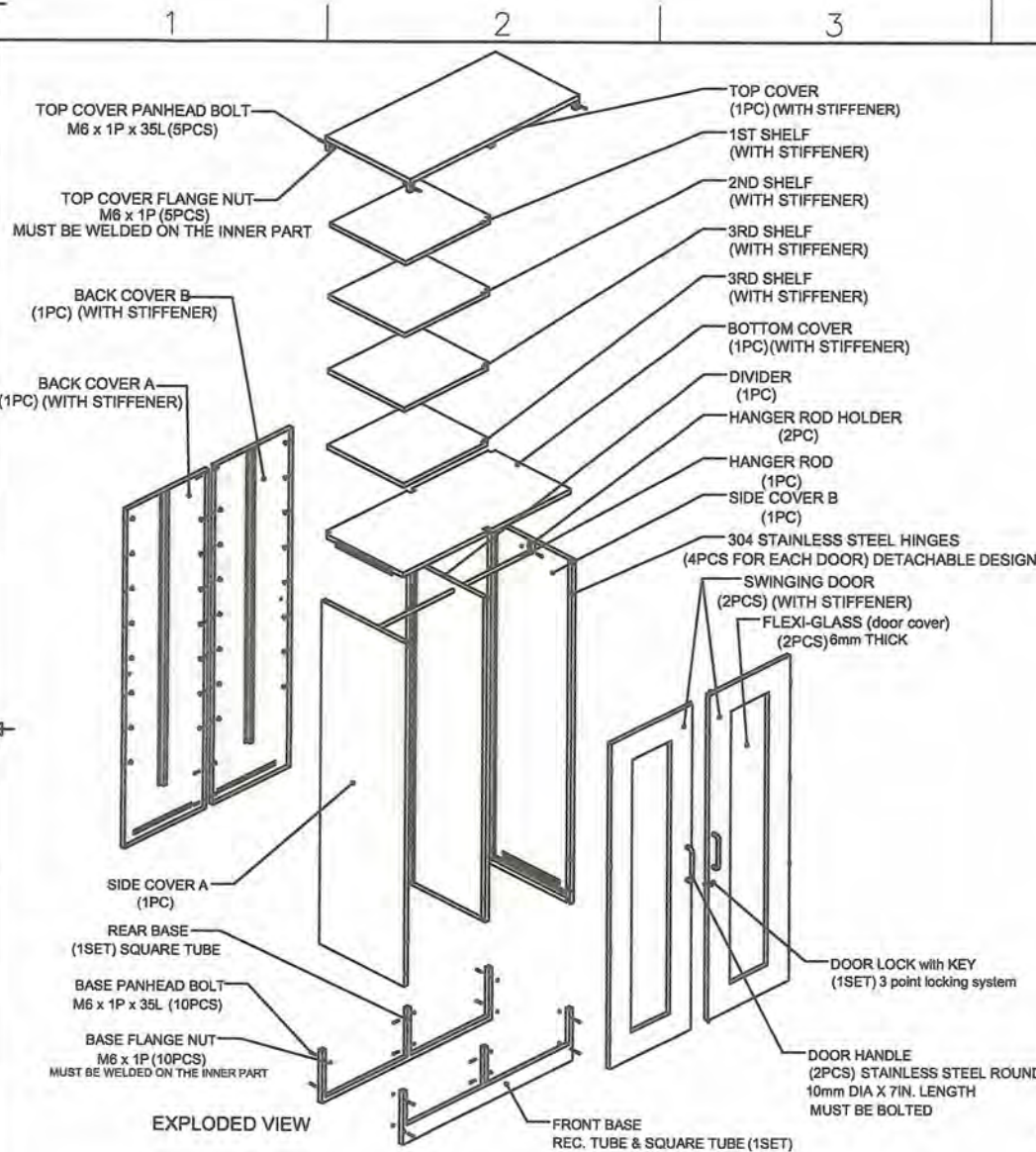
Date OCTOBER 2021	Scale NTS	TVL TOOLS AND EQUIPMENT	
Conceptualized by B.C. Lisondra		Item Name COLLAPSIBLE STEEL CABINET (CABINET # 3)	Sheet 01/17
Designed by B.C. Lisondra	Q.C. Checked by J.N. Aljoja	Material 1mm THICK COLD-ROLLED STEEL SHEET	File name CABINETDESIGN3
Recommended by A.B. Ybanez	Approved by R.C. La Rosa	 DepED-BLR	




GENERAL NOTES:

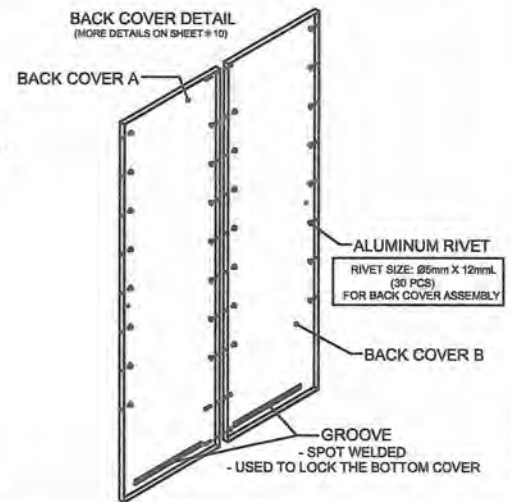
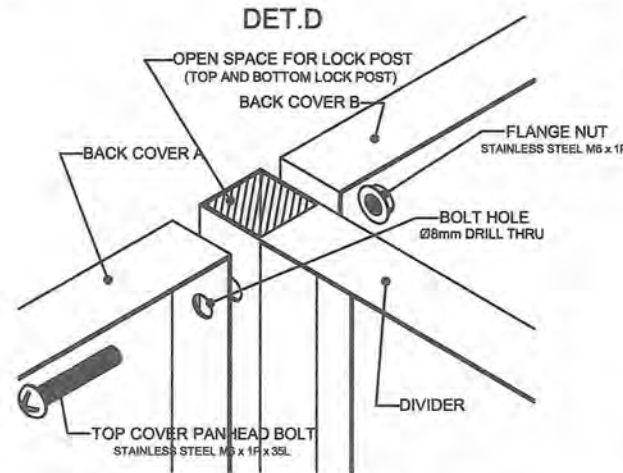
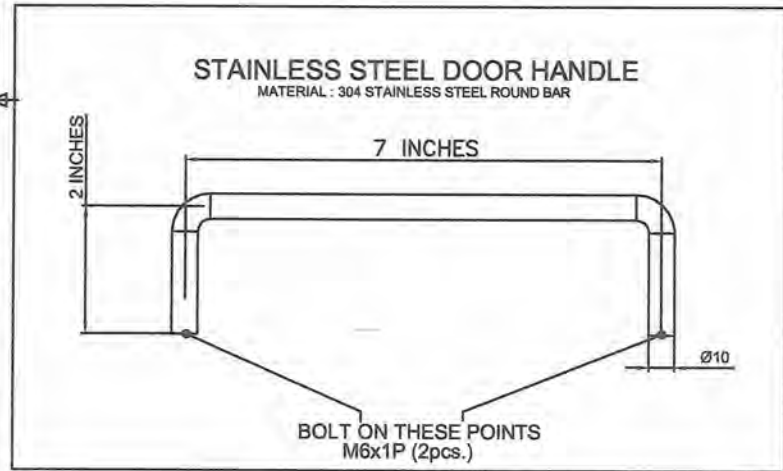
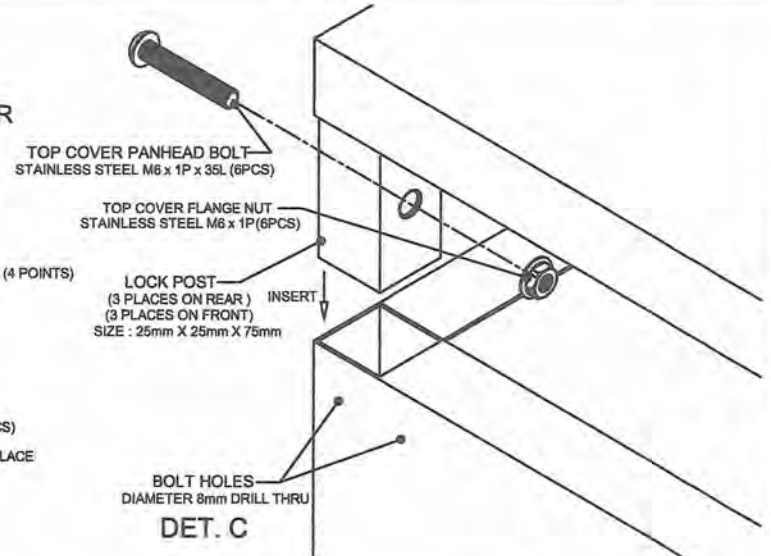
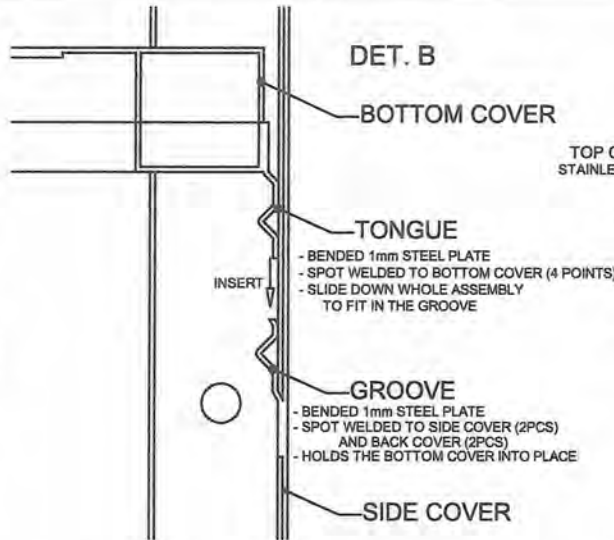
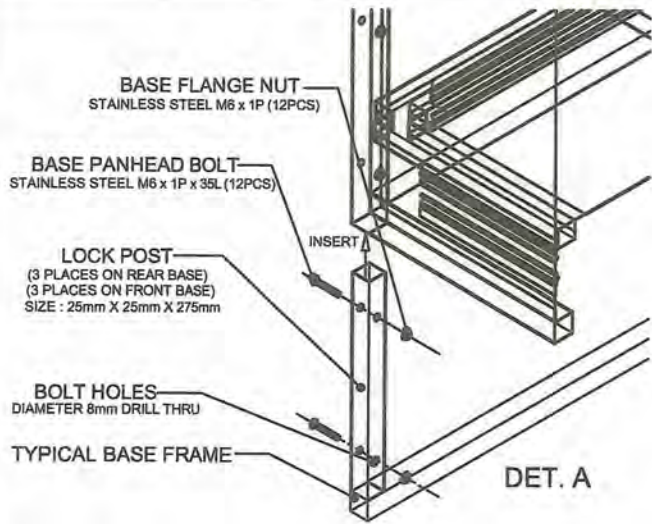
1. All dimensions are in millimeter unless otherwise specified.
2. Remove burrs and sharp edges.

Date OCTOBER 2021	Scale NTS	TVL TOOLS AND EQUIPMENT	
Conceptualized by		Item Name COLLAPSIBLE STEEL CABINET (CABINET # 3)	Sheet 02/17
Drawn by B.C. Lisondra	Q.C. Checked by J.N. Atoja	Material 1mm THICK COLD-ROLLED STEEL SHEET	File name CABINETDESIGN3
Recommended by A.B. Ybafiez	Approved by R.C. La Rosa	 DepED-BLR	




GENERAL NOTES:
 1. All dimensions are in millimeter unless otherwise specified.
 2. Remove burrs and sharp edges.

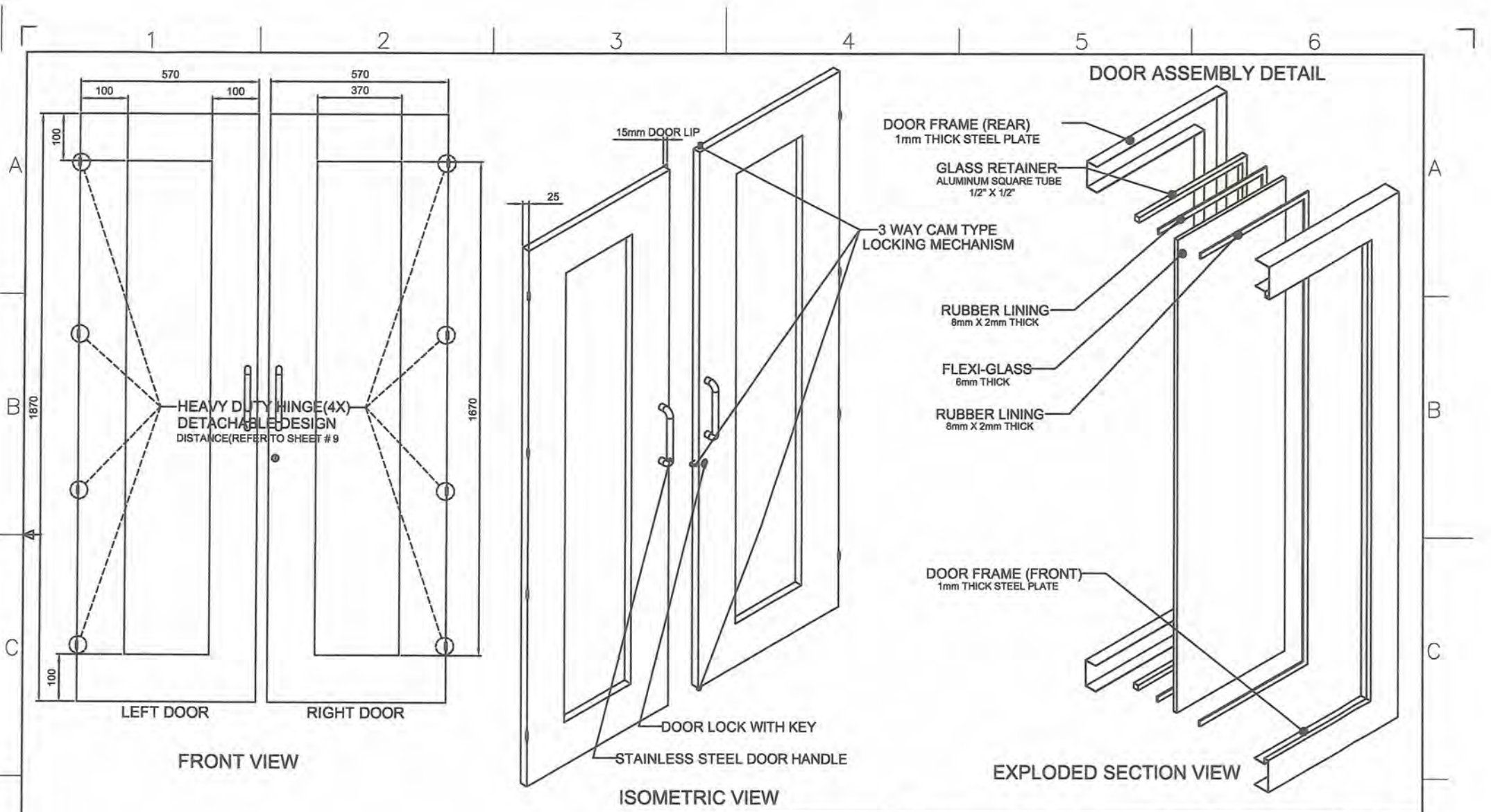
Date OCTOBER 2021	Scale NTS	TVL TOOLS AND EQUIPMENT	
Conceptualized by		Item Name COLLAPSIBLE STEEL CABINET (CABINET # 3)	Sheet 03/17
Drawn by B.C. Lisondra	Q.C. Checked by J.N. Arjoja	Material 1mm THICK COLD-ROLLED STEEL SHEET	File name CABINETDESIGN3
Recommended by A.B. Ybafiez	Approved by R.C. La Rosa	 DepED-BLR	



GENERAL NOTES:

1. All dimensions are in millimeter unless otherwise specified.
2. Remove burrs and sharp edges.

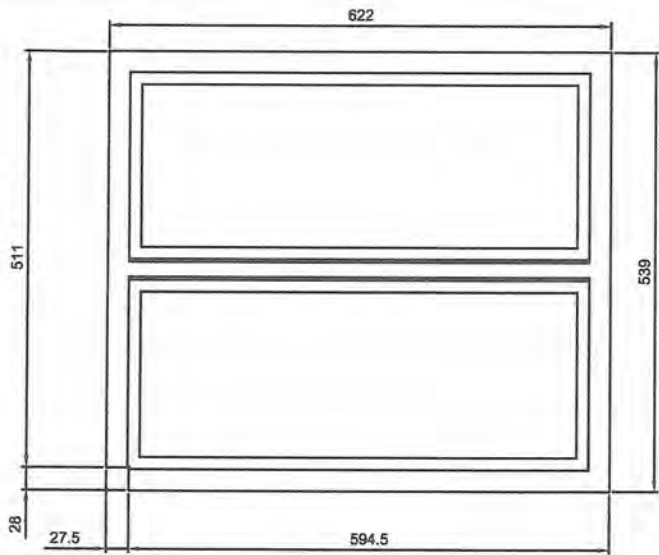
Date OCTOBER 2021	Scale NTS	TVL TOOLS AND EQUIPMENT	
Conceptualized by		Item Name COLLAPSIBLE STEEL CABINET DETAILS (CABINET # 3)	Sheet 04/17
Drawn by B.C. Lisondra	Designed by B.C. Lisondra	Material 1mm THICK COLD-ROLLED STEEL SHEET	File name CABINETDESIGN3
Q.C. Checked by J.N. Arbaja	Recommended by A.B. Ybanez	 DepED-BLR	
Approved by R.C. La Rosa			



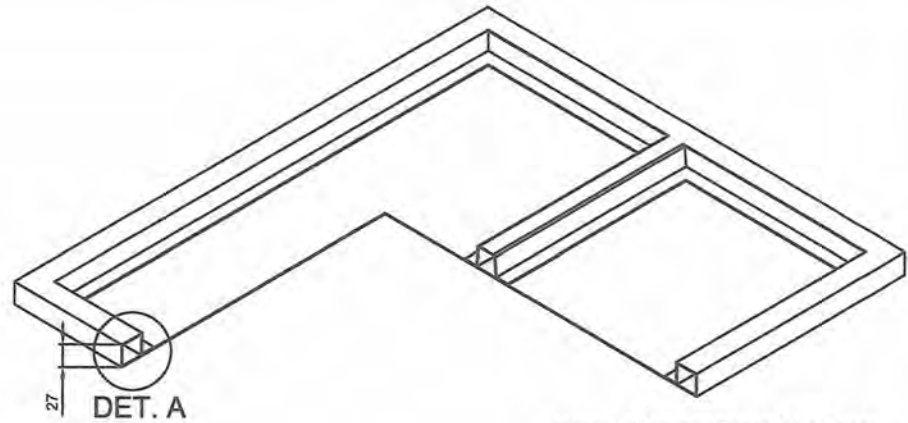
GENERAL NOTES:

1. All dimensions are in millimeter unless otherwise specified.
2. Remove burrs and sharp edges.

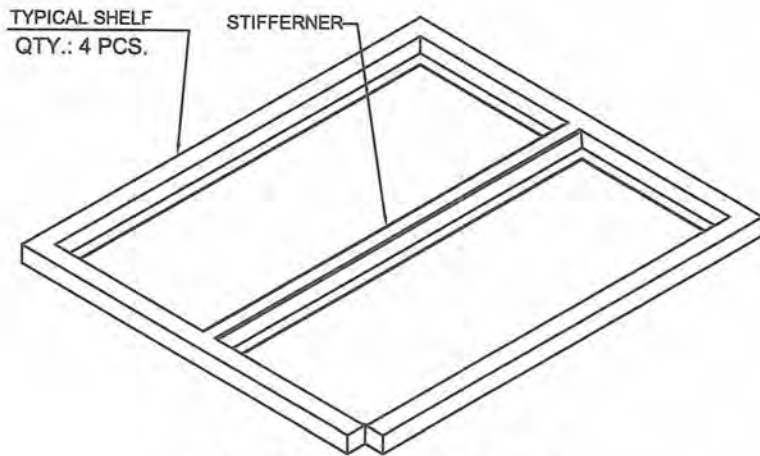
Date OCTOBER 2021	Scale NTS	TVL TOOLS AND EQUIPMENT	
Conceptualized by		Item Name DOOR DETAILS (CABINET # 3)	Sheet 05/17
Drawn by B.C. Lisondra	Q.C. Checked by J.N. Arioja	Material 1mm THICK COLD-ROLLED STEEL SHEET	File name CABINETDESIGN3
Recommended by A.B. Ybanez	Approved by R.C. La Rosa	 DepED-BLR	



TOP VIEW

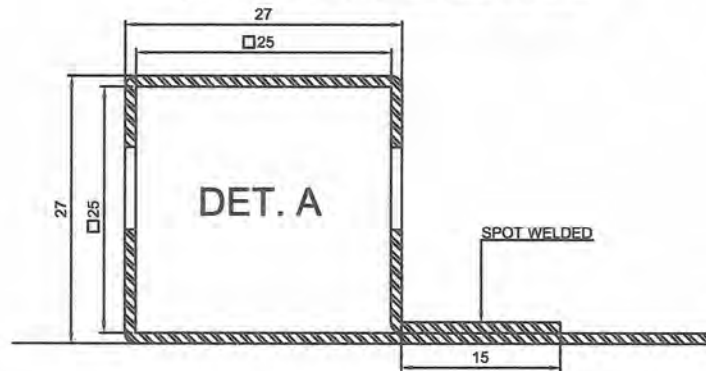


BOTTOM SECTION VIEW



BOTTOM ISOMETRIC VIEW


TYPICAL BENDING DETAIL

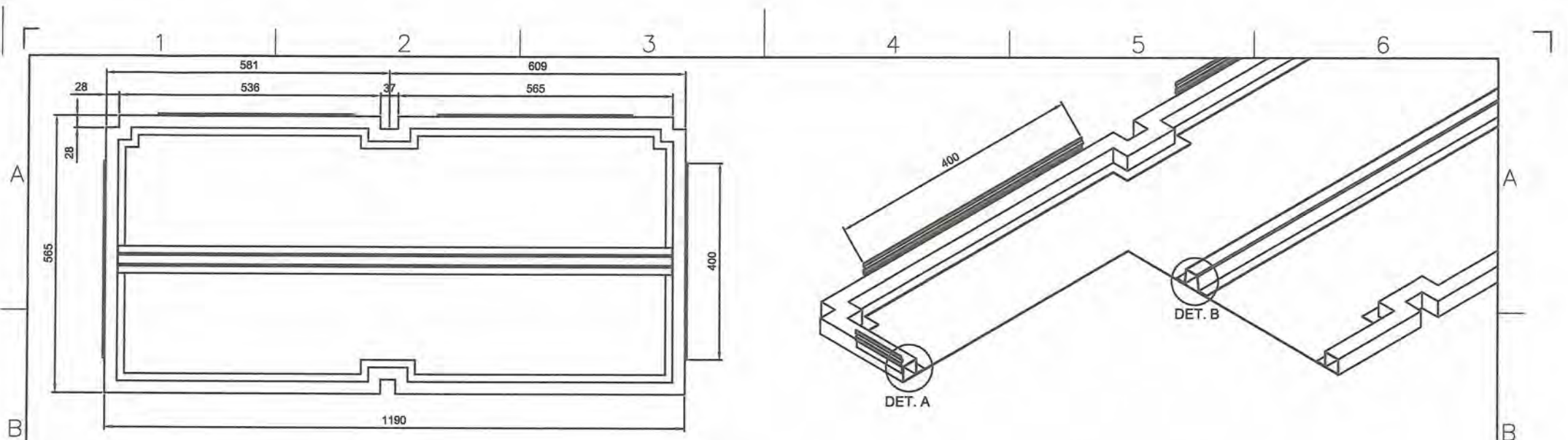


SECTION VIEW

GENERAL NOTES:

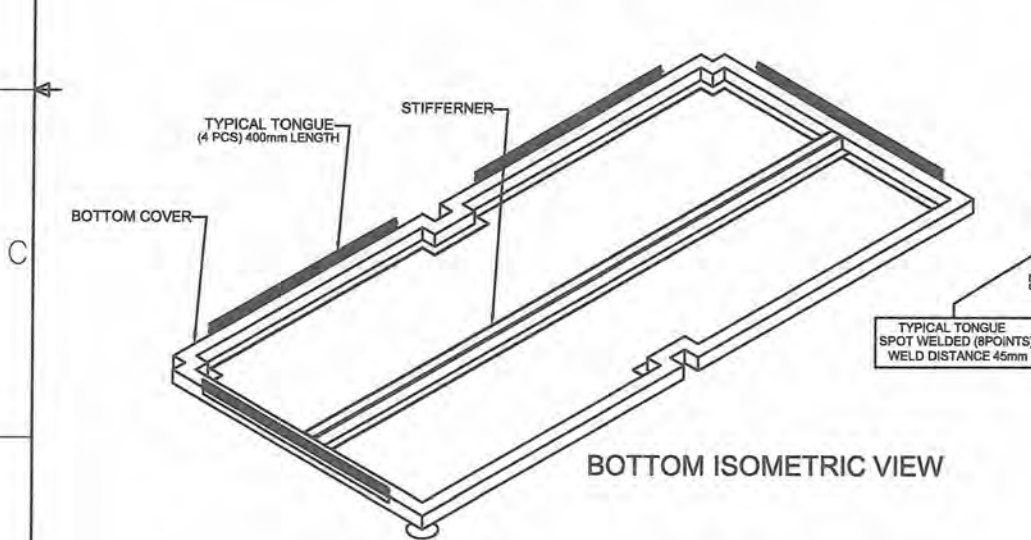
1. All dimensions are in millimeter unless otherwise specified.
2. Remove burrs and sharp edges.

Date OCTOBER 2021	Scale NTS	TVL TOOLS AND EQUIPMENT	
Conceptualized by		Item Name TYPICAL SHELF DETAILS (CABINET # 3)	Sheet 06/17
Drawn by B.C. Lisondra	Q.C. Checked by J.N. Mijoa	Material 1mm THICK COLD-ROLLED STEEL SHEET	File name CABINETDESIGN3
Recommended by A.B. Ybafiez	Approved by R.C. La Rosa	 DepED-BLR	



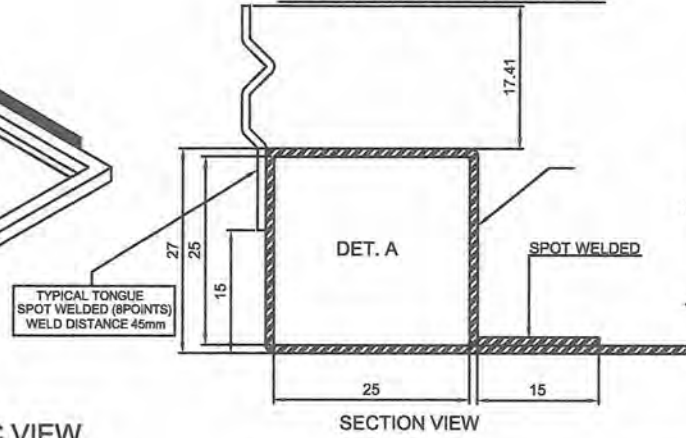
TOP VIEW

BOTTOM SECTION VIEW



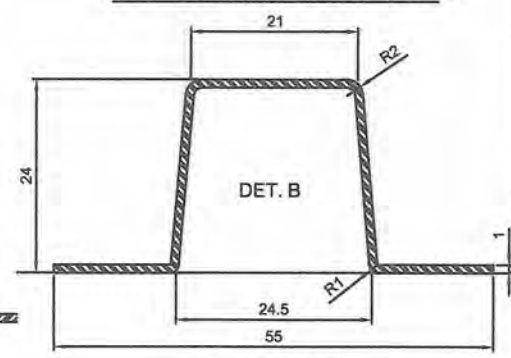
BOTTOM ISOMETRIC VIEW

TYPICAL BENDING DETAIL



SECTION VIEW

TYPICAL STIFFENER DETAIL



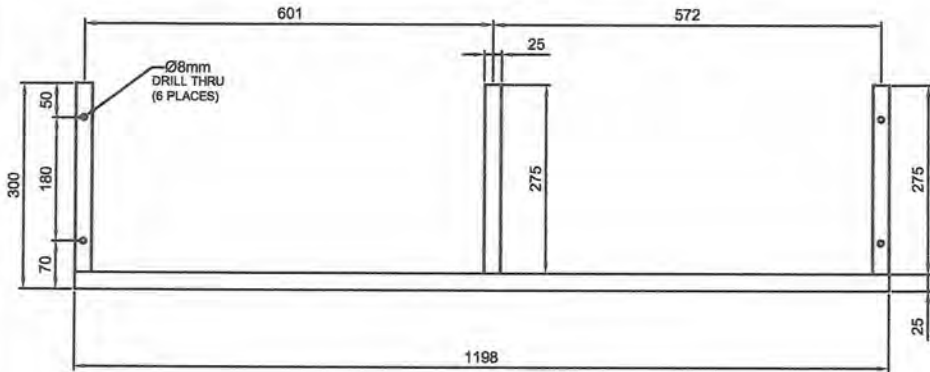
SECTION VIEW

GENERAL NOTES:

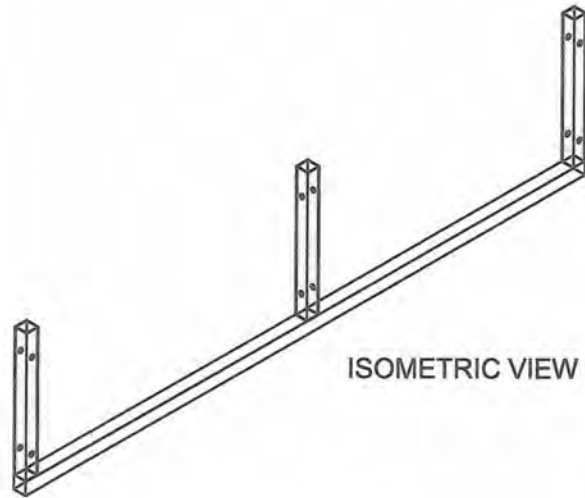
1. All dimensions are in millimeter unless otherwise specified.
2. Remove burrs and sharp edges.

Date OCTOBER 2021	Scale NTS	TVL TOOLS AND EQUIPMENT	
Conceptualized by		Item Name BOTTOM COVER DETAILS (CABINET # 3)	Sheet 07/17
Drawn by B.C. Lisondra	Q.C. Checked by J.N. Anisja	Material 1mm THICK COILED GALVANIZED STEEL SHEET	File name CABINETDESIGN3
Recommended by A.B. Ybanez	Approved by R.C. La Rosa	 DepED-BlR	

REAR BASE FRAME

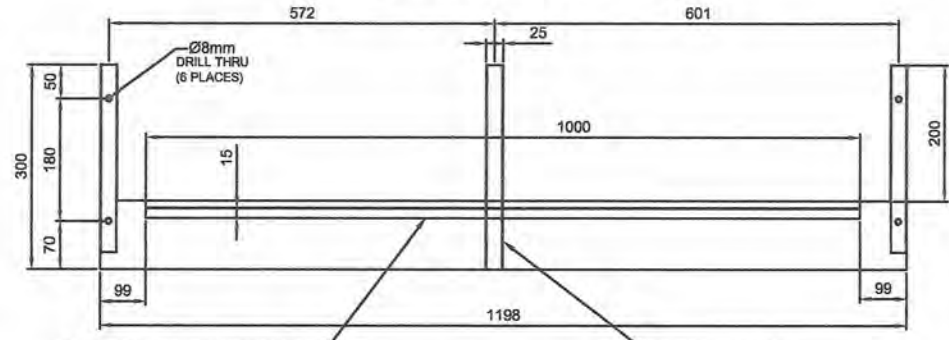


FRONT VIEW

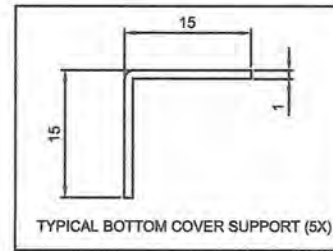


ISOMETRIC VIEW

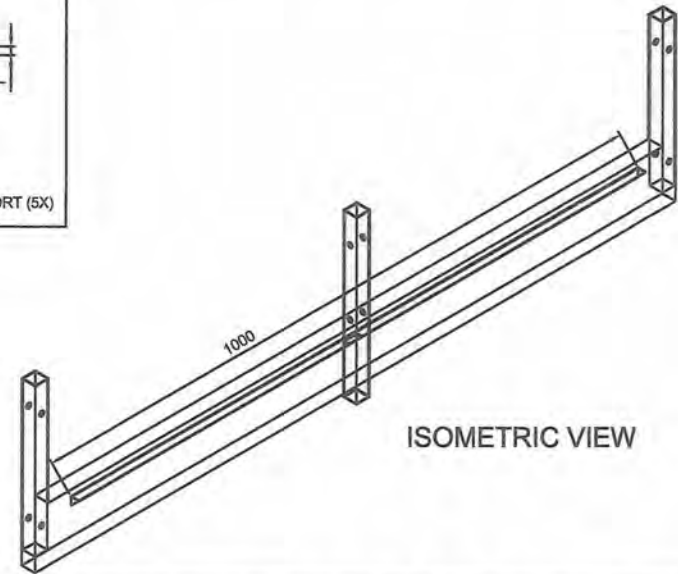
FRONT BASE FRAME



FRONT VIEW




TYPICAL BOTTOM COVER SUPPORT (5X)

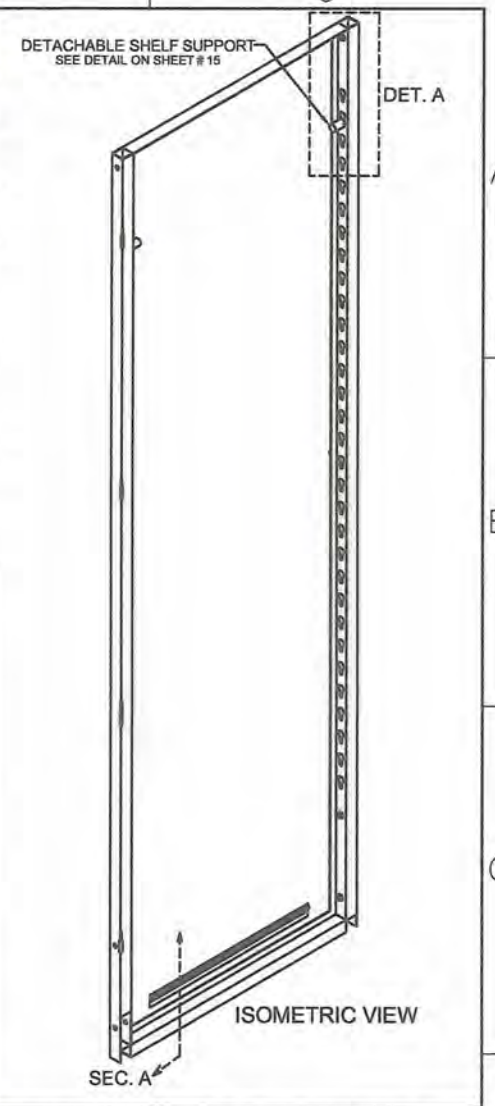
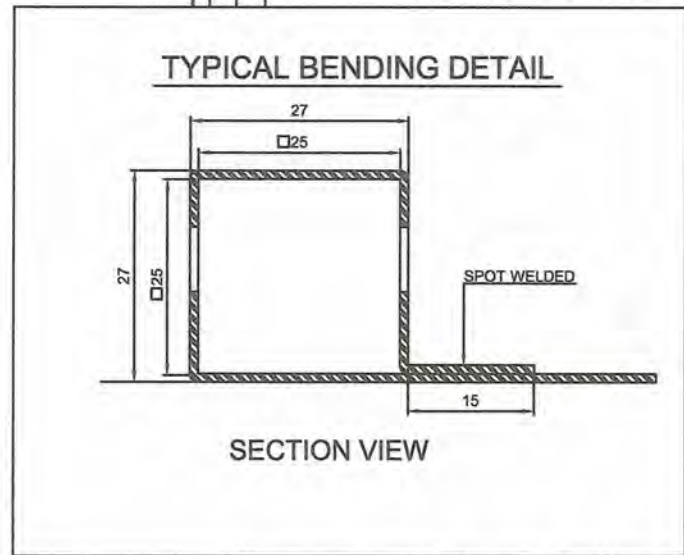
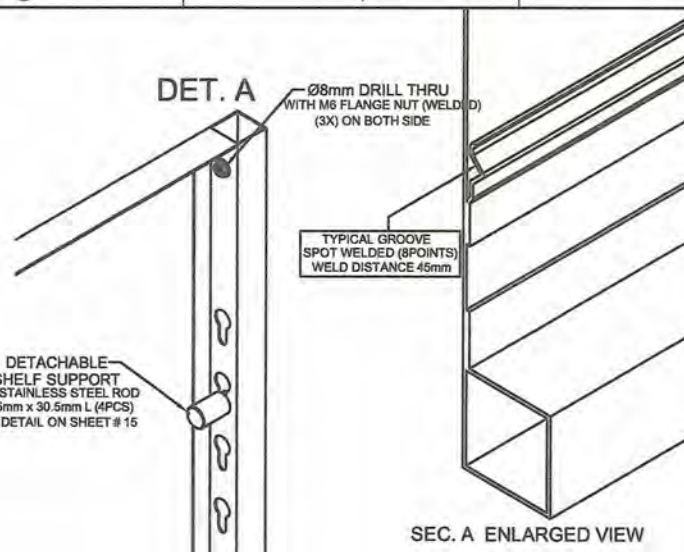
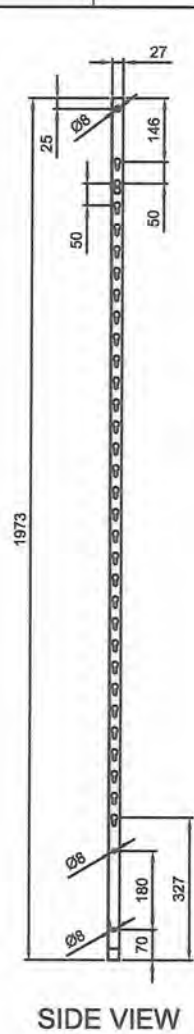
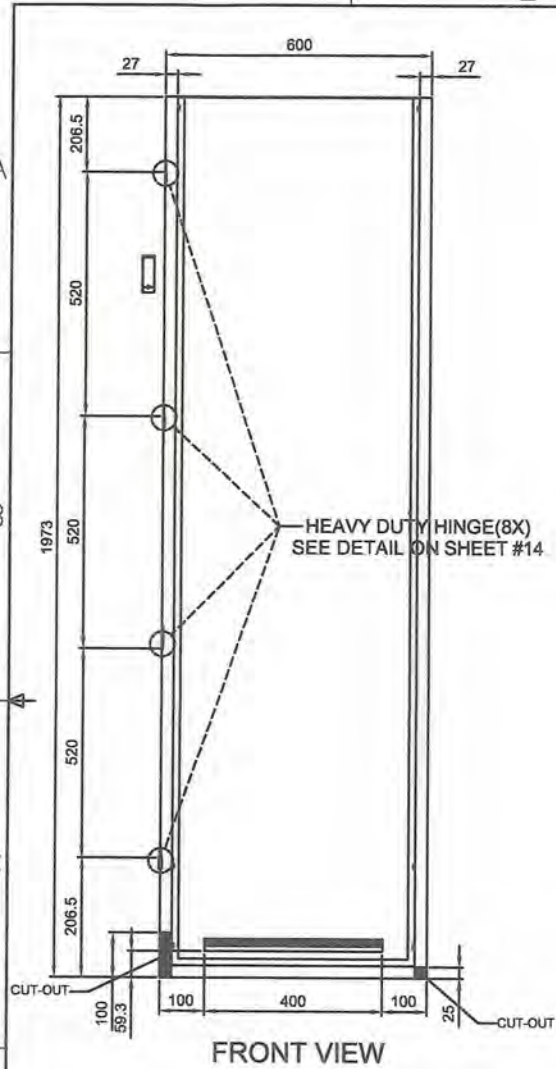


ISOMETRIC VIEW

GENERAL NOTES:

1. All dimensions are in millimeter unless otherwise specified.
2. Remove burrs and sharp edges.

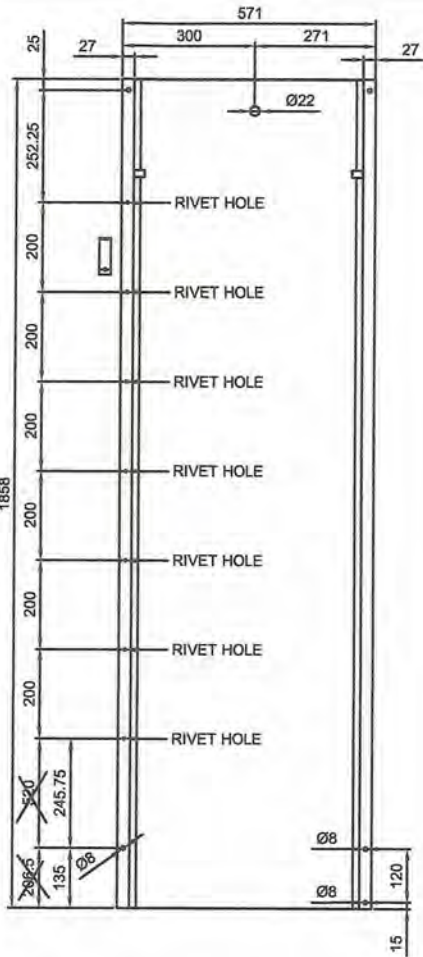
Date OCTOBER 2021	Scale NTS	TVL TOOLS AND EQUIPMENT	
Conceptualized by		Item Name BASE FRAME DETAILS (CABINET # 3)	Sheet 08/17
Drawn by B.C. Lisondra	Q.C. Checked by J.N. Grijoa	Material 1mm THICK COLD-ROLLED STEEL SHEET	File name CABINETDESIGN3
Recommended by A.B. Ybanez	Approved by R.C. La Rosa	 DepED-BLR	



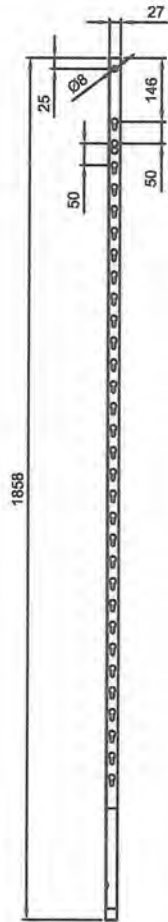
GENERAL NOTES:

1. All dimensions are in millimeter unless otherwise specified.
2. Remove burrs and sharp edges.

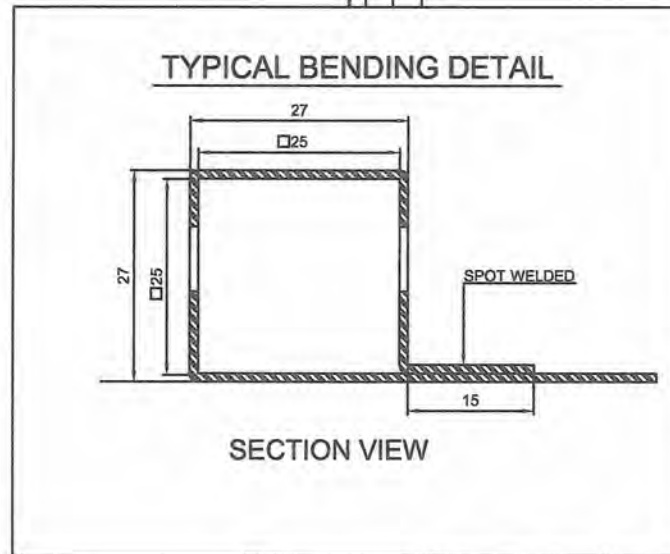
Date OCTOBER 2021	Scale NTS	TVL TOOLS AND EQUIPMENT	
Conceptualized by		Item Name SIDE COVER A DETAILS (CABINET # 3)	Sheet 09 / 17
Drawn by B.C. Lisondra	Q.C. Checked by J.N. Arjoja	Material 1mm THICK COLD-ROLLED STEEL SHEET	File name CABINETDESIGN3
Recommended by A.B. Ybafiez	Approved by R.C. La Rosa	 DepED-BLR	



FRONT VIEW

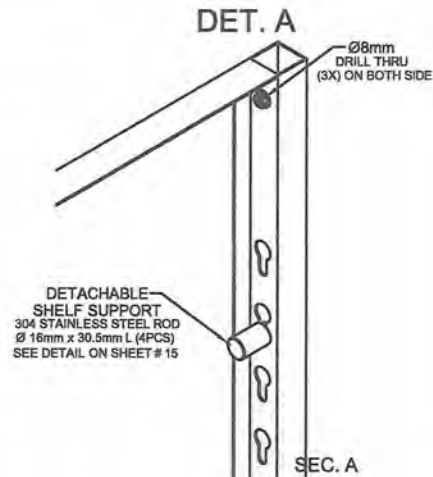


SIDE VIEW



TYPICAL BENDING DETAIL

SECTION VIEW

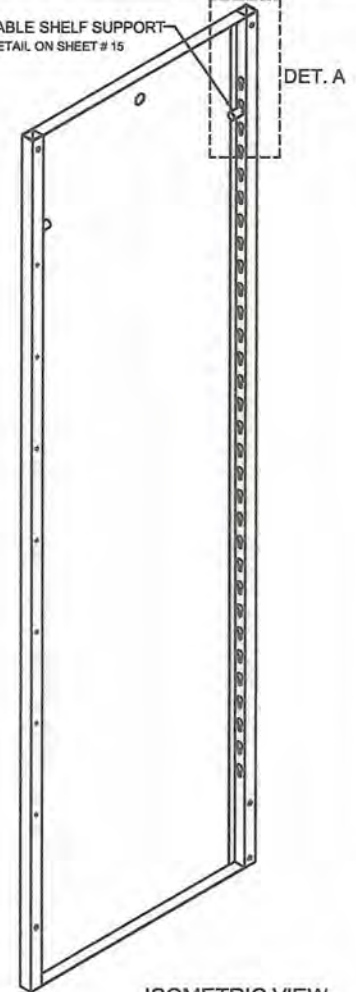


DET. A

DETACHABLE SHELF SUPPORT
304 STAINLESS STEEL ROD
Ø 16mm x 30.5mm L (4PCS)
SEE DETAIL ON SHEET # 15

SEC. A

DETACHABLE SHELF SUPPORT
SEE DETAIL ON SHEET # 15

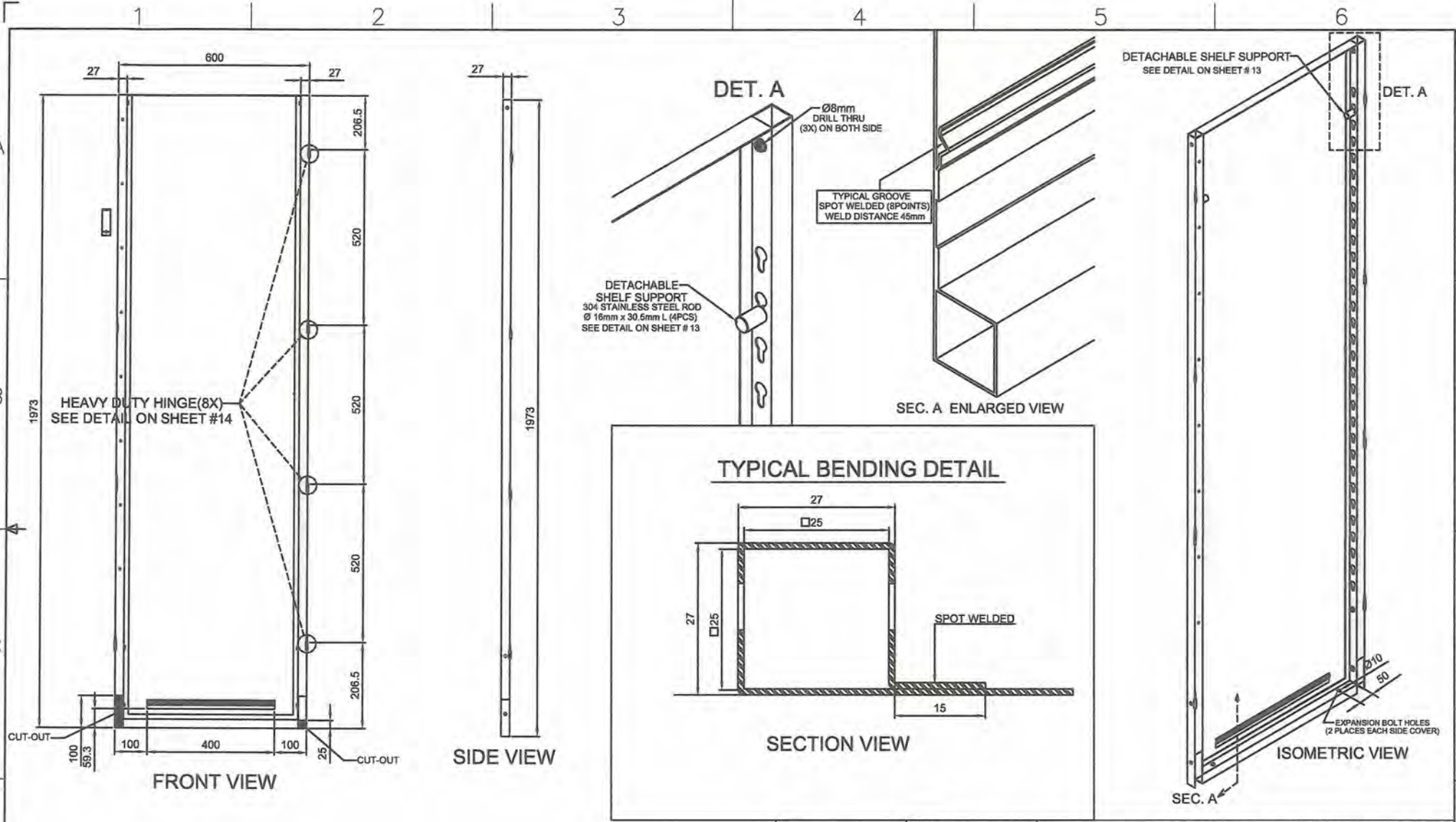


ISOMETRIC VIEW

GENERAL NOTES:

1. All dimensions are in millimeter unless otherwise specified.
2. Remove burrs and sharp edges.

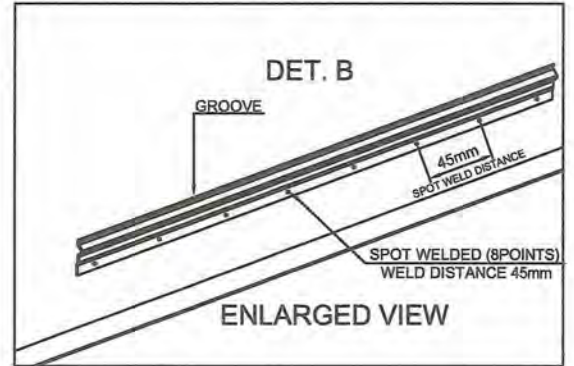
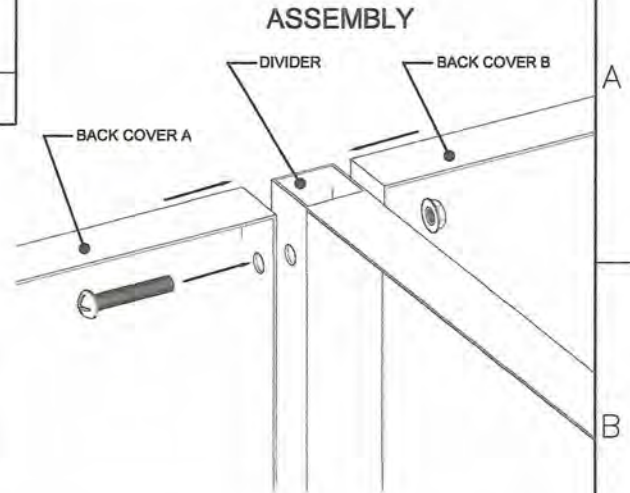
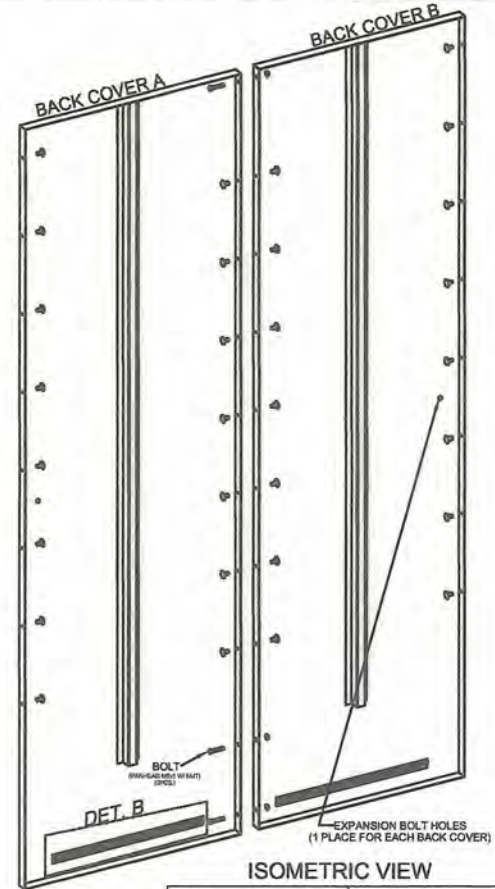
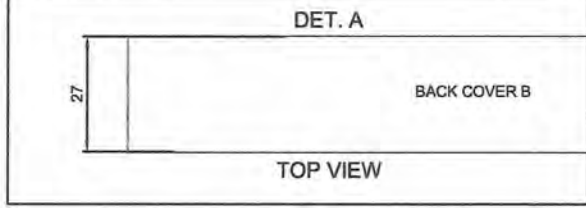
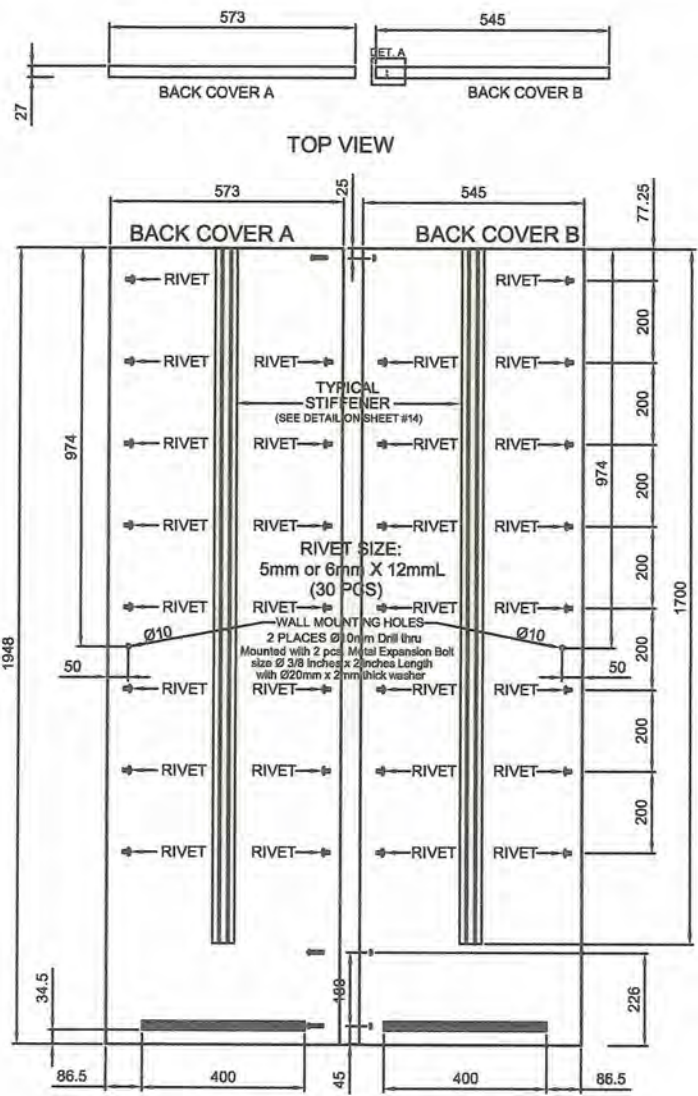
Date OCTOBER 2021	Scale NTS	TVL TOOLS AND EQUIPMENT	
Conceptualized by	Item Name DIVIDER DETAILS (CABINET # 3)	Sheet 10/17	
Drawn by B.C. Lisondra	Q.C. Checked by J.N. Arjoja	Material 1mm THICK COLD-ROLLED STEEL SHEET	File name CABINETDESIGN3
Recommended by A.B. Ybafiez	Approved by R.C. La Rosa		



GENERAL NOTES:

1. All dimensions are in millimeter unless otherwise specified.
2. Remove burrs and sharp edges.

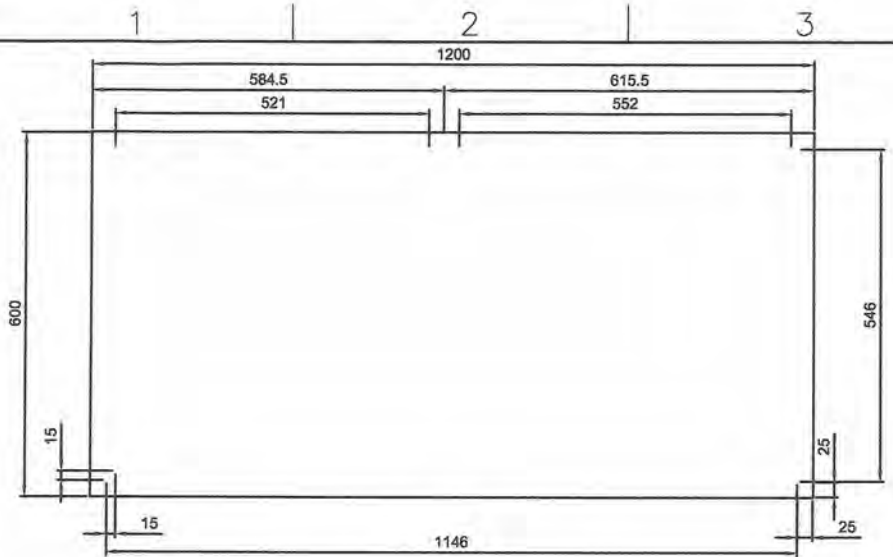
Date OCTOBER 2021	Scale NTS	TVL TOOLS AND EQUIPMENT	
Conceptualized by	Item Name SIDE COVER B DETAILS (CABINET # 3)	Sheet 11/17	
Drawn by B.C. Lisondra	Material 1mm THICK COLD-ROLLED STEEL SHEET	File name CABINETDESIGN3	
Designed by B.C. Lisondra	Q.C. Checked by J.N. Brijan	 DepED-BLR	
Recommended by A.B. Ybafiez	Approved by R.C. La Rosa		



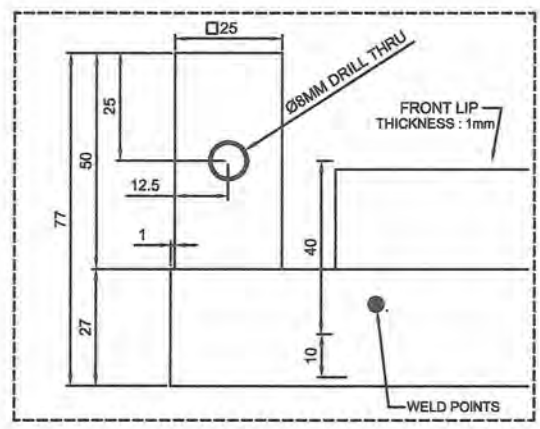
GENERAL NOTES:
 1. All dimensions are in millimeter unless otherwise specified.
 2. Remove burrs and sharp edges.

Date	OCTOBER 2021	Scale	NTS	TVL TOOLS AND EQUIPMENT	
Conceptualized by					
Drawn by	B.C. Lisondra			Material	1mm THICK COLD-ROLLED STEEL SHEET
Designed by	B.C. Lisondra	Q.C. Checked by	J.N. Frioja	File name	CABINETDESIGN3
Recommended by	A.B. Ybanez			 DepED-BLR	
Approved by	R.C. La Rosa				

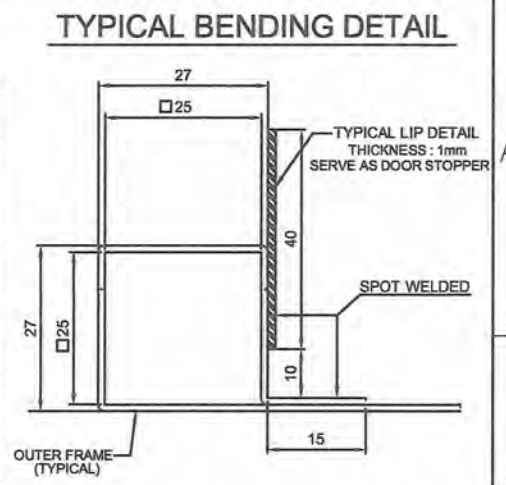
Sheet 12/17



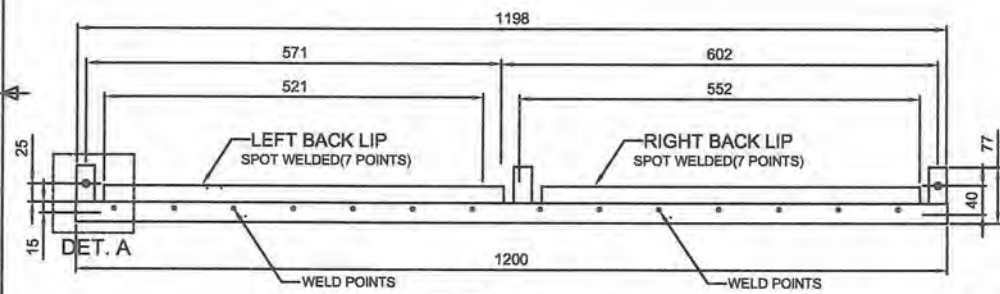
TOP VIEW



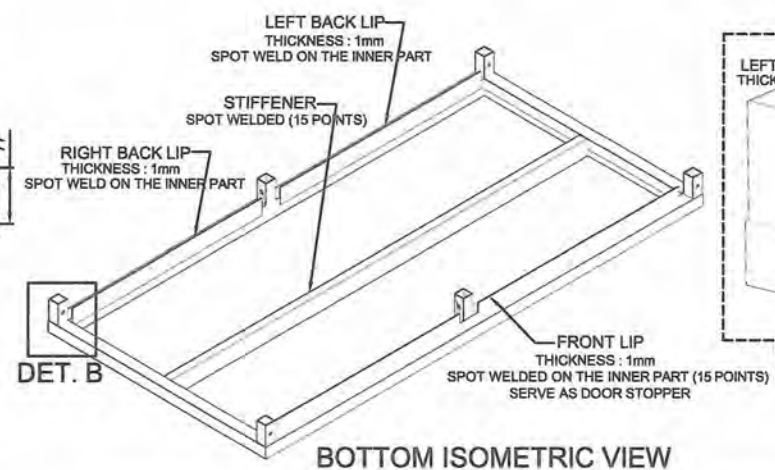
DET. A



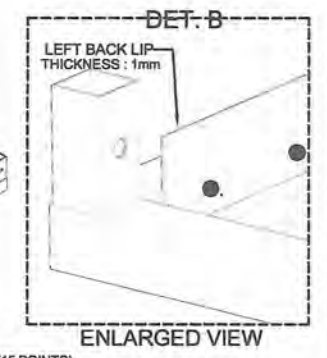
SECTION VIEW



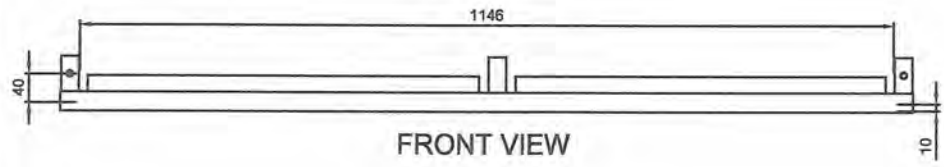
REAR VIEW



BOTTOM ISOMETRIC VIEW



ENLARGED VIEW

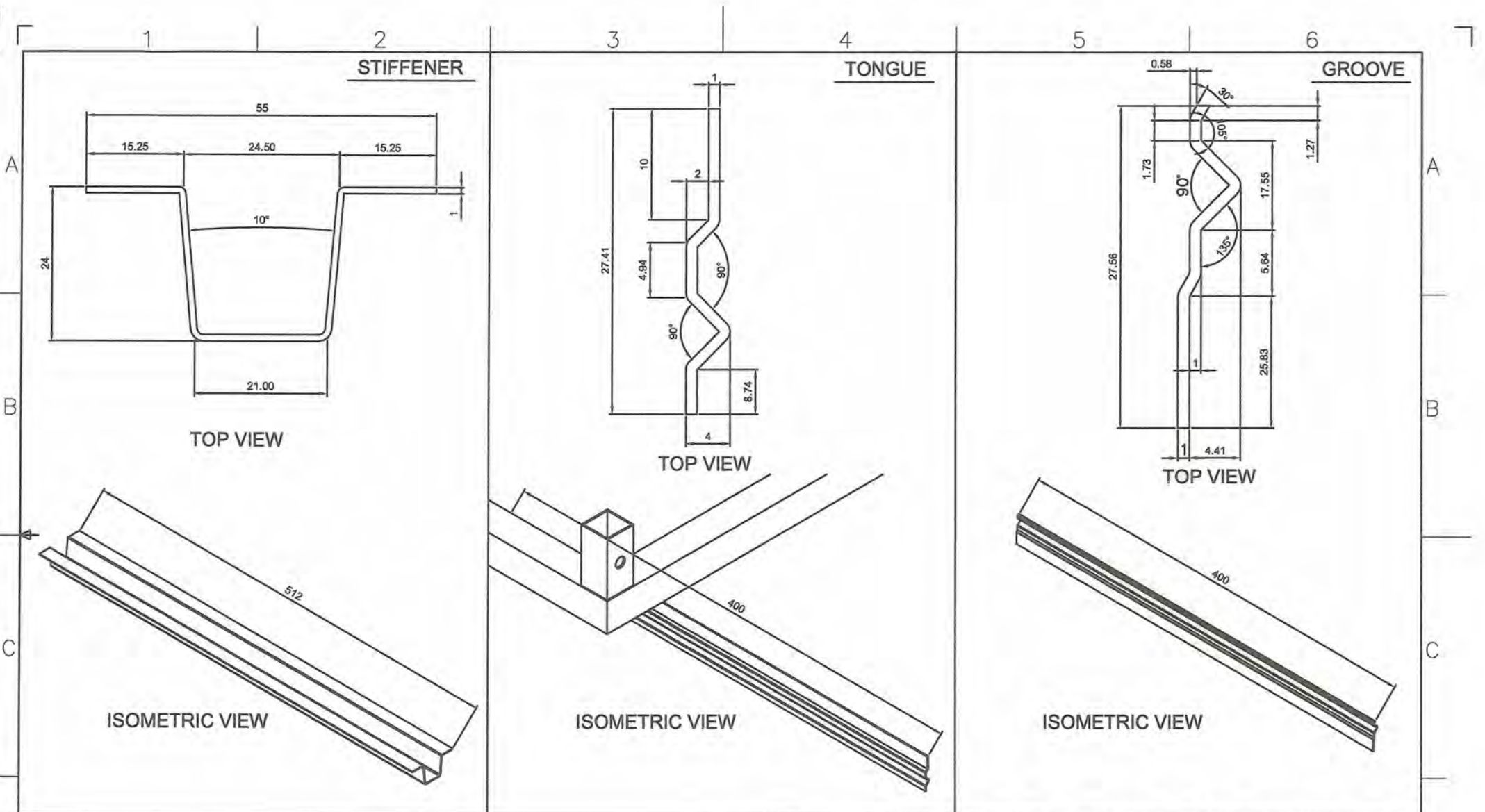


FRONT VIEW

GENERAL NOTES:

1. All dimensions are in millimeter unless otherwise specified.
2. Remove burrs and sharp edges.

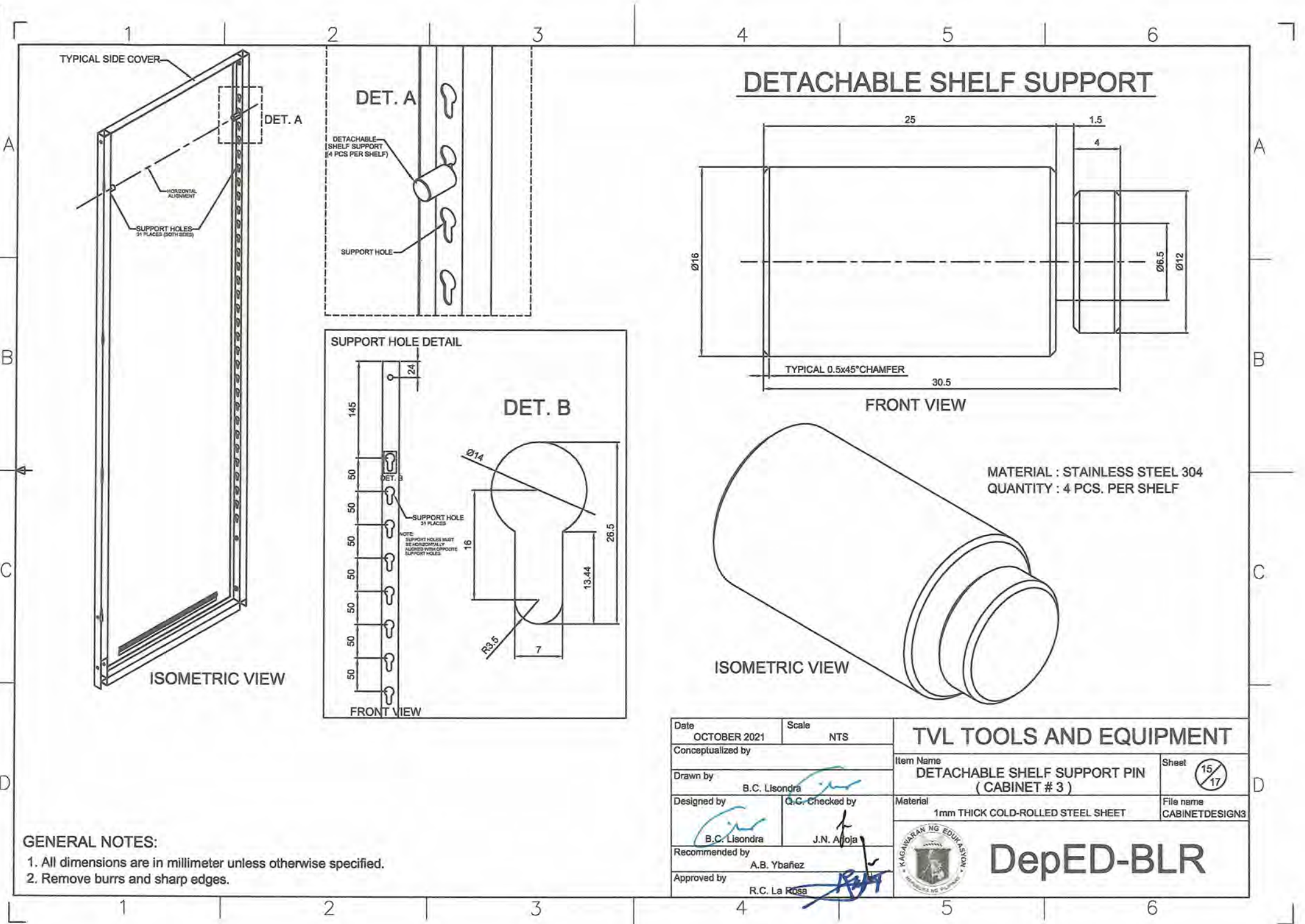
Date OCTOBER 2021	Scale NTS	TVL TOOLS AND EQUIPMENT	
Conceptualized by		Item Name TOP COVER DETAILS (CABINET # 3)	Sheet 13/17
Drawn by B.C. Lisondra	Q.C. Checked by J.N. Kojja	Material 1mm THICK COLD-ROLLED STEEL SHEET	File name CABINETDESIGN3
Recommended by A.B. Ybañez	Approved by R.C. La Rosa		



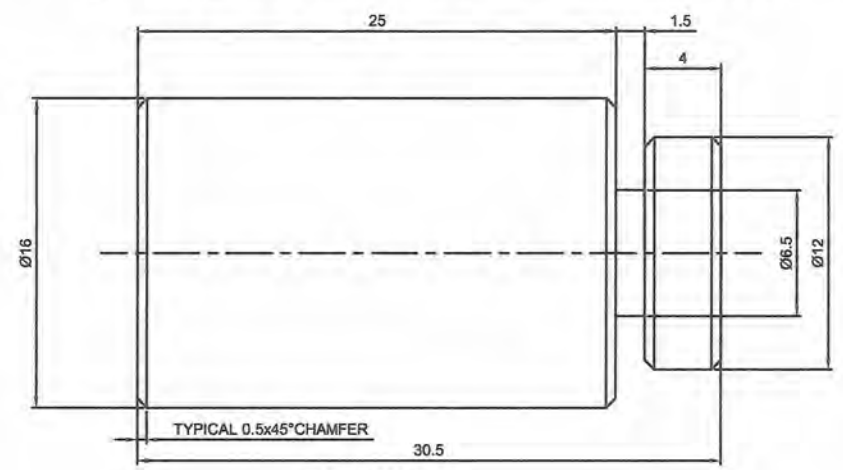
GENERAL NOTES:

1. All dimensions are in millimeter unless otherwise specified.
2. Remove burrs and sharp edges.

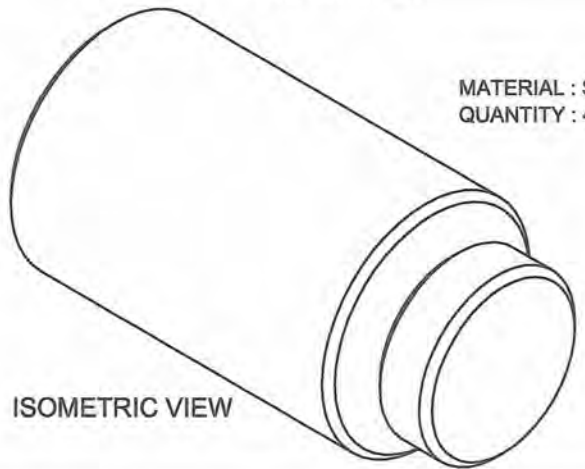
Date OCTOBER 2021	Scale NTS	TVL TOOLS AND EQUIPMENT	
Conceptualized by		Item Name TYPICAL LOCKING AND REINFORCEMENT DETAILS (CABINET # 3)	Sheet 14/17
Drawn by B.C. Lisondra	Q.C. Checked by J.N. Abja	Material 1mm THICK COLD-ROLLED STEEL SHEET	File name CABINETDESIGN3
Recommended by A.B. Ybafiez	Approved by R.C. La Rosa	 DepED-BLR	



DETACHABLE SHELF SUPPORT

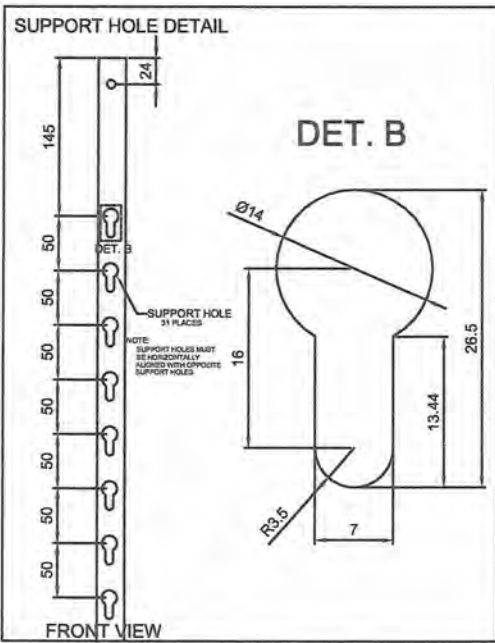


FRONT VIEW



MATERIAL : STAINLESS STEEL 304
QUANTITY : 4 PCS. PER SHELF

ISOMETRIC VIEW



FRONT VIEW

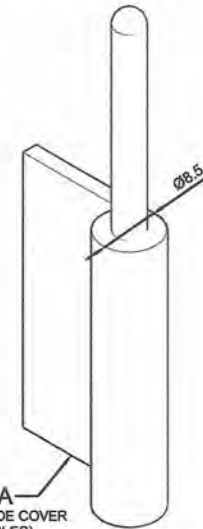
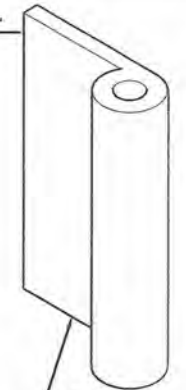
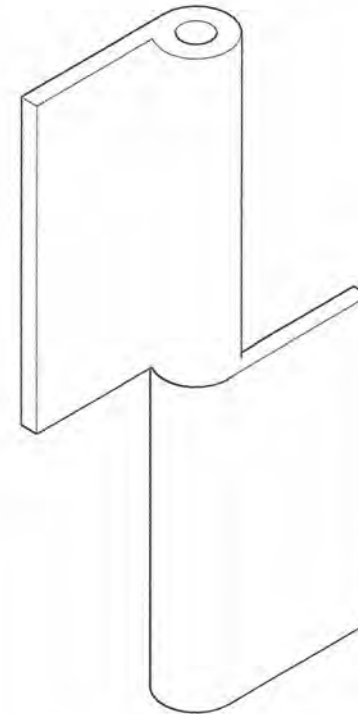
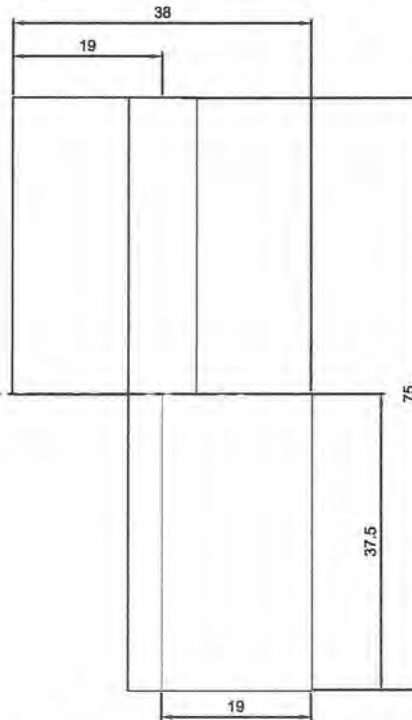
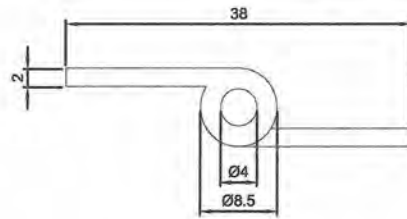
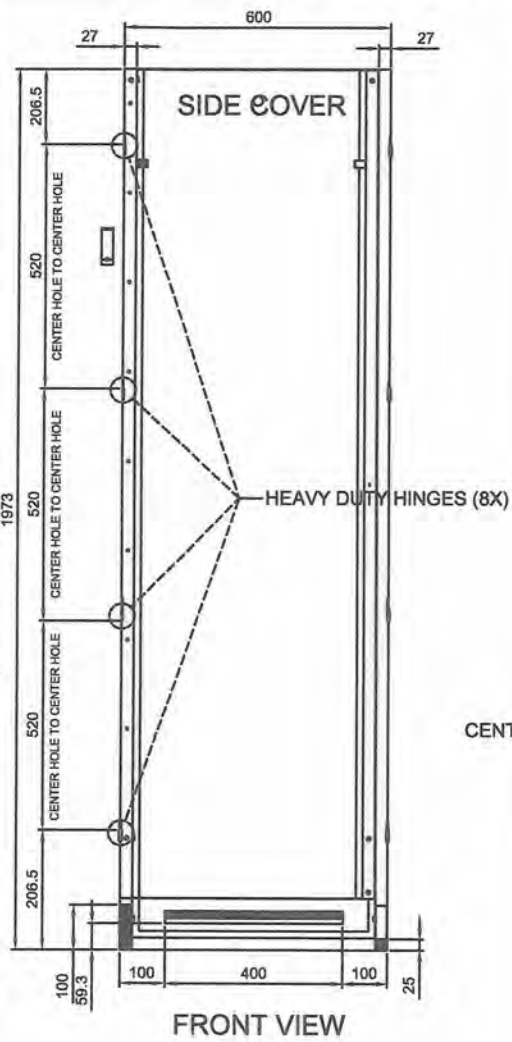
GENERAL NOTES:
1. All dimensions are in millimeter unless otherwise specified.
2. Remove burrs and sharp edges.

Date OCTOBER 2021	Scale NTS	TVL TOOLS AND EQUIPMENT	
Conceptualized by		Item Name DETACHABLE SHELF SUPPORT PIN (CABINET # 3)	Sheet 15/17
Drawn by B.C. Lisondra		Material 1mm THICK COLD-ROLLED STEEL SHEET	File name CABINETDESIGN3
Designed by B.C. Lisondra		Q.C. Checked by J.N. Ajoja	
Recommended by A.B. Ybafiez		Approved by R.C. La Rosa	

DepED-BLR

HEAVY DUTY DETACHABLE HINGES DETAIL

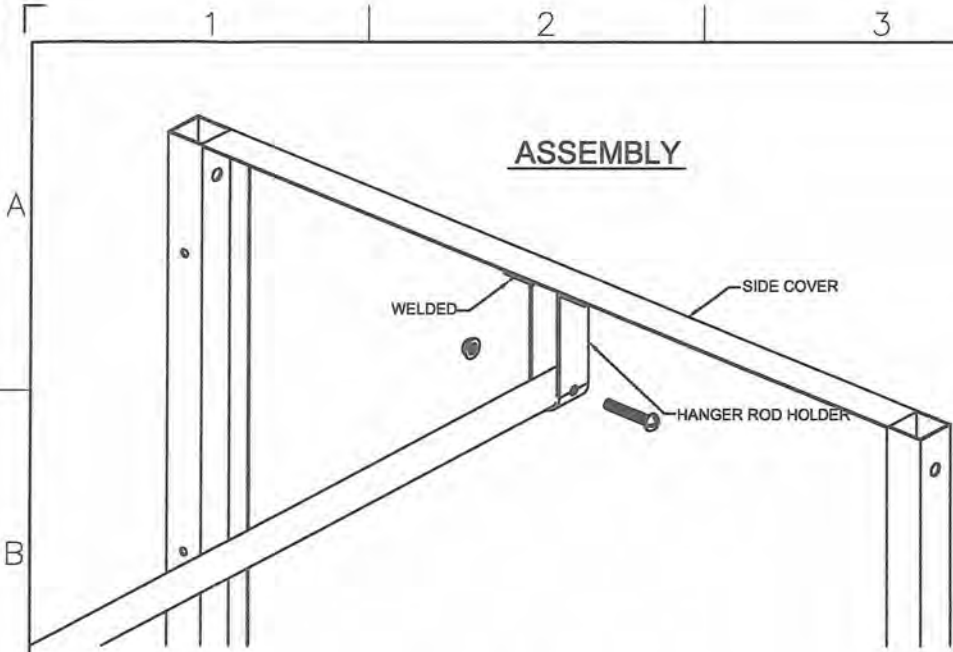
MATERIAL : STAINLESS STEEL 304
 QUANTITY : 4pcs. RIGHT & 4pcs. LEFT HINGE



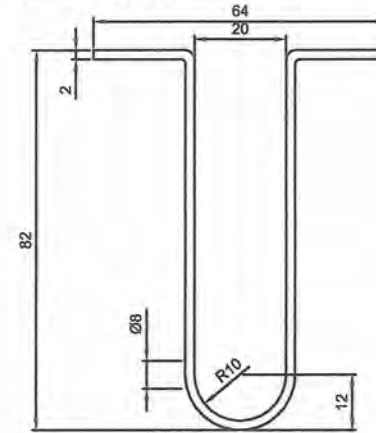
GENERAL NOTES:

1. All dimensions are in millimeter unless otherwise specified.
2. Remove burrs and sharp edges.

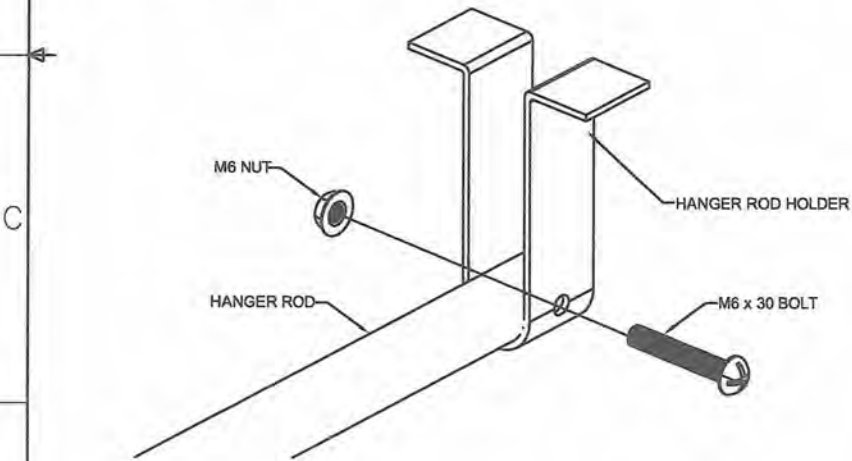
Date OCTOBER 2021	Scale NTS	TVL TOOLS AND EQUIPMENT	
Conceptualized by		Item Name DETACHABLE HINGE DETAILS (CABINET # 3)	Sheet 16/17
Drawn by B.C. Lisondra	Q.C. Checked by J.N. Vrijoja	Material 1mm THICK COLD-ROLLED STEEL SHEET	File name CABINETDESIGN3
Recommended by A.B. Ybanez	Approved by R.C. La Rosa	 DepED-BLR	



HANGER ROD HOLDER
 MATERIAL : CRS FLAT BAR (WELDED TO SIDE COVERS)
 QUANTITY : 2 PCS.

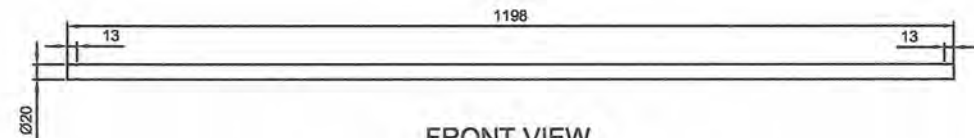


FRONT VIEW



HANGER ROD

MATERIAL : STAINLESS STEEL 304 TUBE
 QUANTITY : 1 PC.

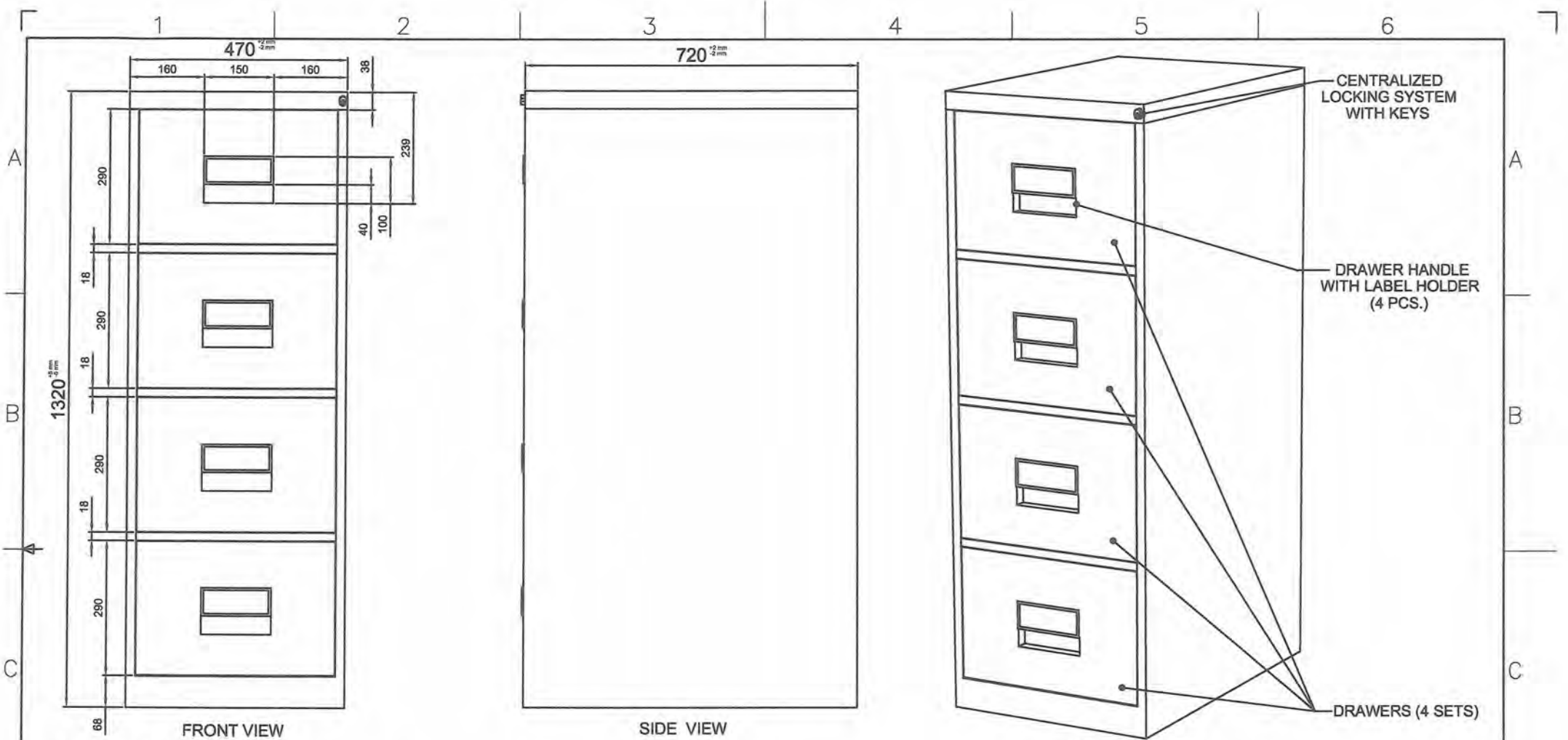


FRONT VIEW

GENERAL NOTES:

1. All dimensions are in millimeter unless otherwise specified.
2. Remove burrs and sharp edges.

Date OCTOBER 2021	Scale NTS	TVL TOOLS AND EQUIPMENT	
Conceptualized by		Item Name HANGER DETAILS (CABINET # 3)	Sheet 17/17
Drawn by B.C. Lisondra		Material 1mm THICK COLD-ROLLED STEEL SHEET	File name CABINETDESIGN3
Designed by B.C. Lisondra	Q.C. Checked by J.N. Arloja	 DepED-BLR	
Recommended by A.B. Ybafiez			
Approved by R.C. La Rosa			



Description :


- Color : CYAN BLUE: C, M, Y, K (71,53,0,12)
- Material : 1.00mm Thick Cold-rolled Steel Sheet,
- Size : 1320mm x 480mm x 730mm
- Feature : Durable and Rigid

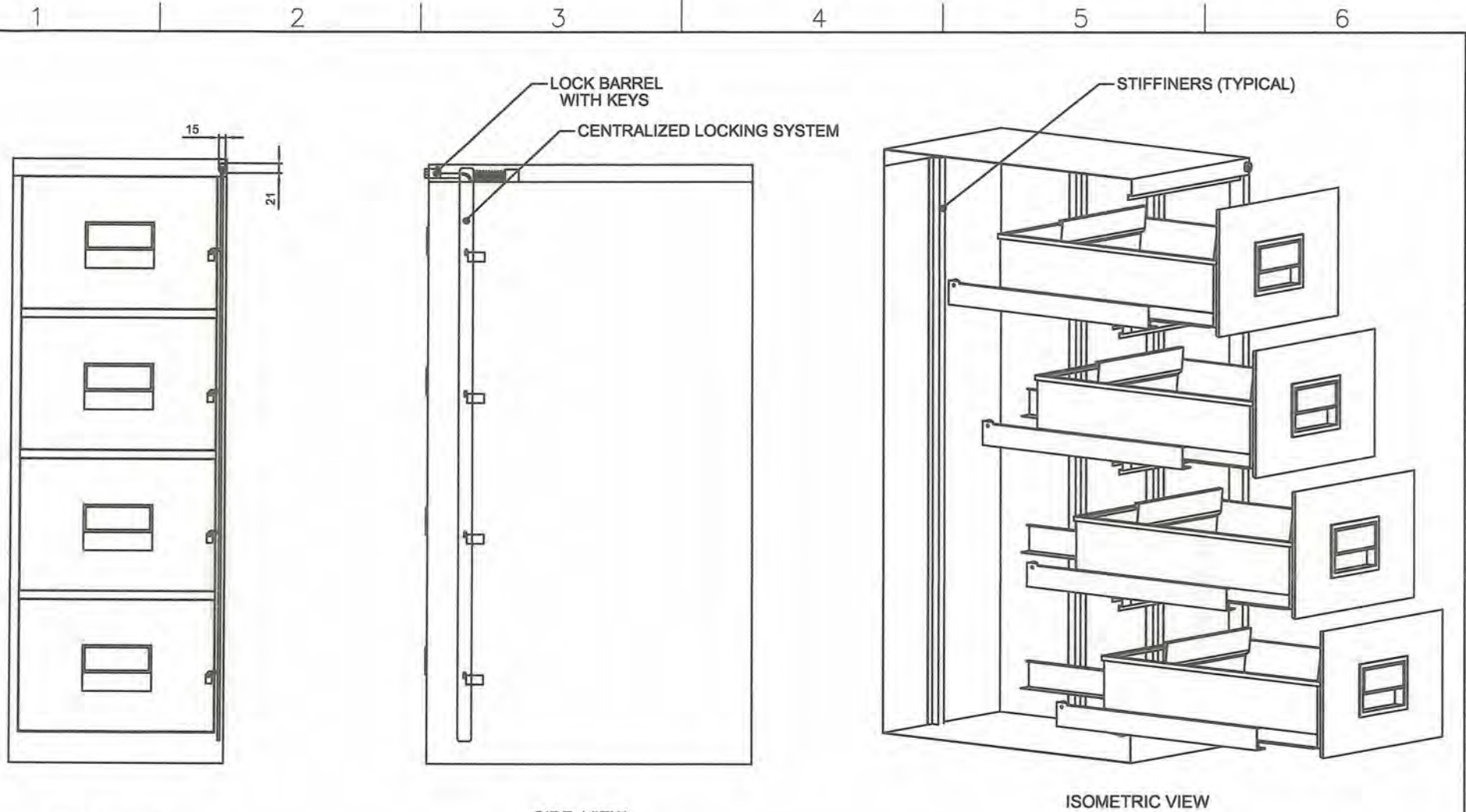
About Cabinet :

1. The cabinet is non-collapsible (Assembled Type).
2. It is made of bended and welded cold-rolled steel .
3. 1.00mm thickness steel sheet, then powder coat.(Welded surface must be hidden).
4. Has 4 layer drawer with label holder on each drawer above the handle.
5. The drawers shall operate smoothly, noise-free and easy for the push and pull operation.
6. Has 1 centralized locking system with keys.
7. The locking system shall lock and unlock smoothly.

GENERAL NOTES:

1. All dimensions are in millimeter unless otherwise specified.
2. Remove burrs and sharp edges.

Date	OCTOBER 2021	Scale	NTS	TVL TOOLS AND EQUIPMENT		
Conceptualized by						Item Name
Drawn by	B.C. Lisondra				NON-COLLAPSIBLE FILING CABINET (CABINET # 4)	01 04
Designed by	B.C. Lisondra	Q.C. Checked by	J.N. Arjoja	Material	File name	
Recommended by	A.B. Ybarñez				COLD-ROLLED STEEL PLATE	CABINETDESIGN4
Approved by	R.C. La Rosa				 DepED-BlR	



FRONT VIEW

SIDE VIEW

ISOMETRIC VIEW

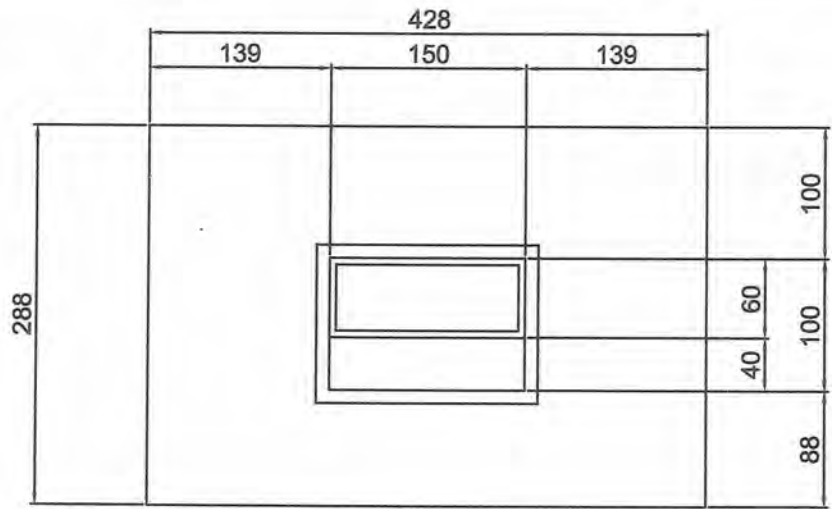
CENTRALIZED LOCKING SYSTEM :

1. Has 1 centralized locking system with keys.
2. The locking system shall lock and unlock smoothly.
3. The locking system shall lock and unlock the 4 drawers simultaneously.
4. Push lock barrel to lock all drawers the use the key to unlock.
5. The locking system should be strong and will not easily break.

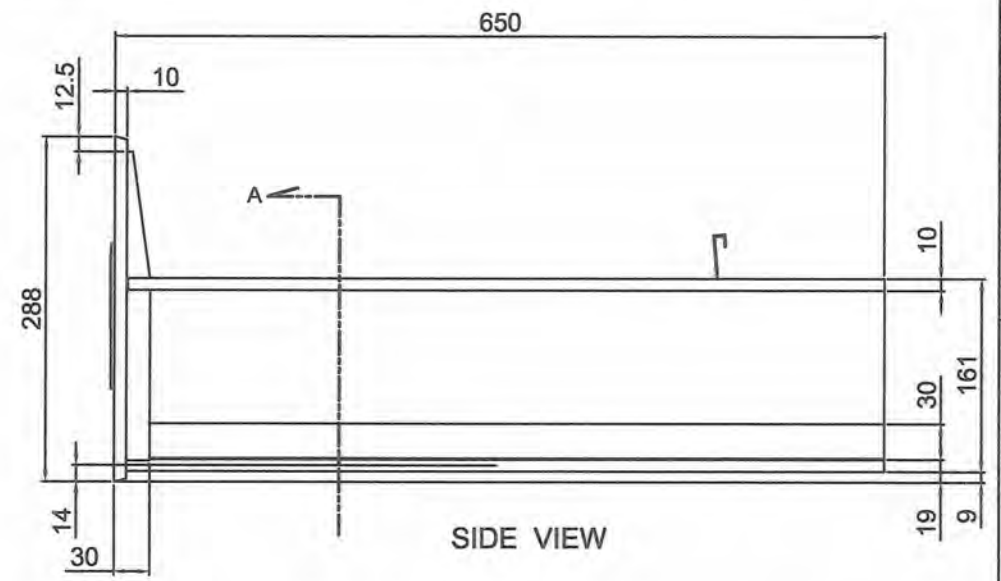
GENERAL NOTES:

1. All dimensions are in millimeter unless otherwise specified.
2. Remove burrs and sharp edges.

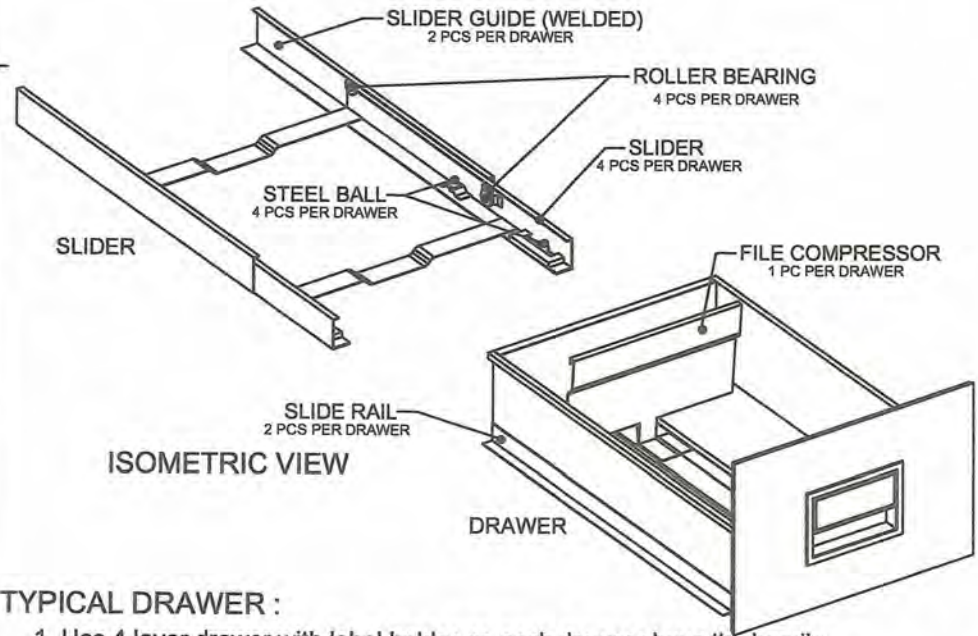
Date OCTOBER 2021	Scale NTS	TVL TOOLS AND EQUIPMENT	
Conceptualized by		Item Name NON-COLLAPSIBLE FILING CABINET (CABINET # 4)	Sheet 02/04
Drawn by B.C. Lisondra	Q.C. Checked by J.N. Arioja	Material COLD-ROLLED STEEL PLATE	File name CABINETDESIGN#4
Recommended by A.B. Ybanez	Approved by R.C. La Rosa	 DepED-BLR	



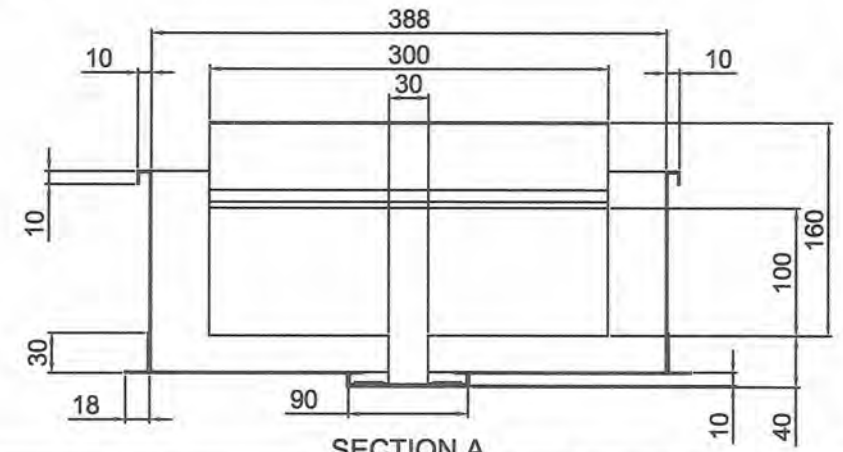
FRONT VIEW



SIDE VIEW




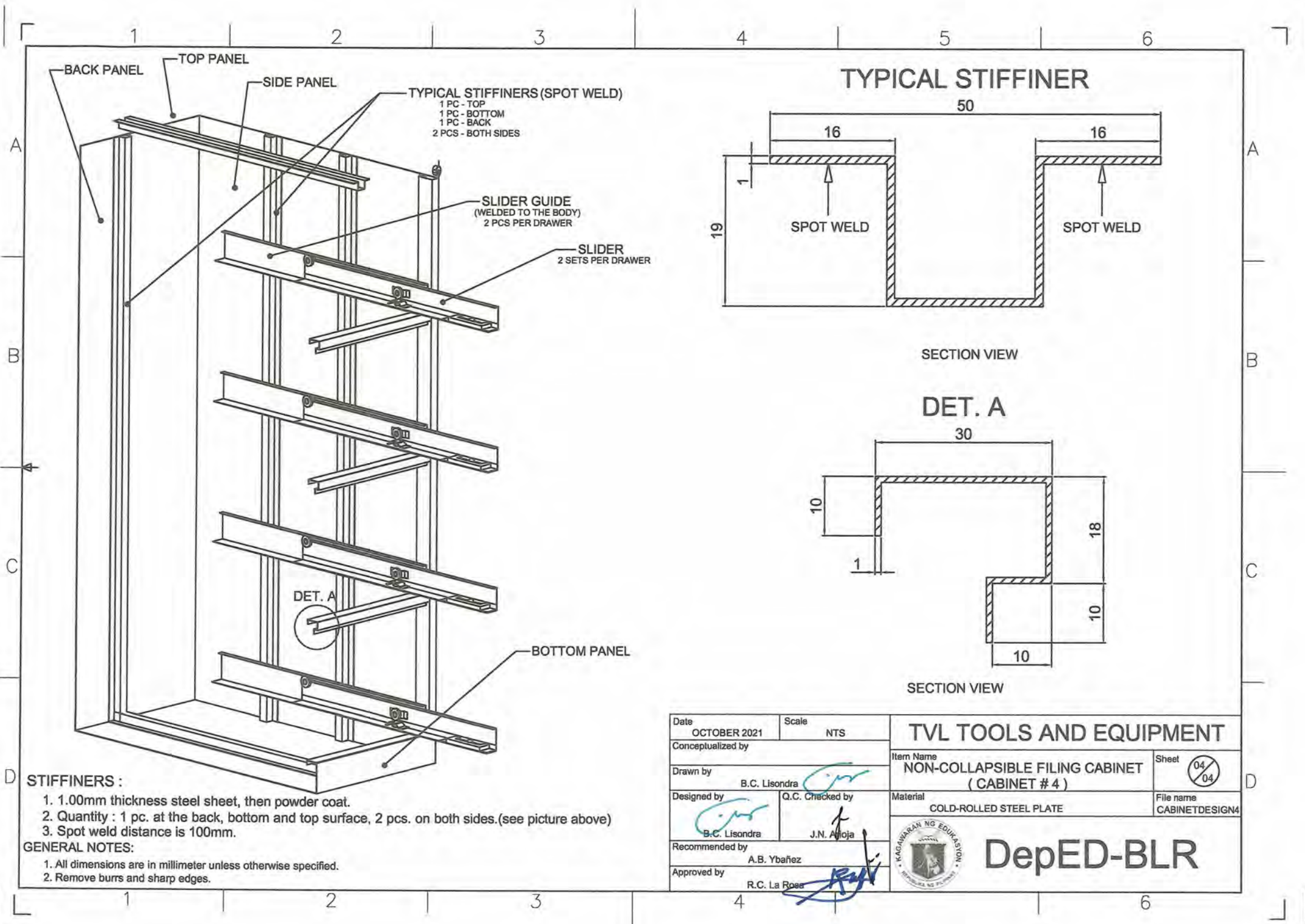
ISOMETRIC VIEW



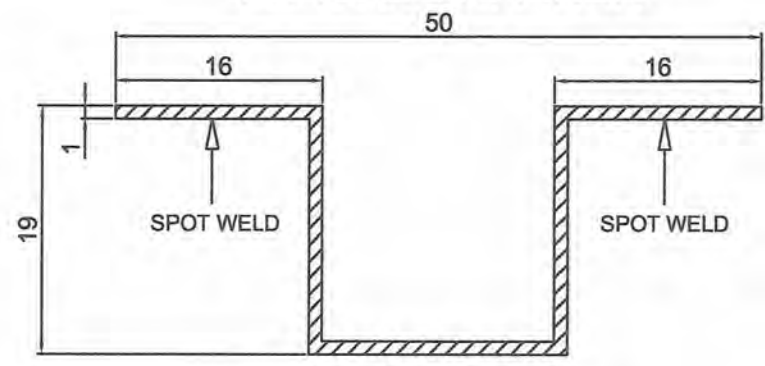
SECTION A

- TYPICAL DRAWER :**
- Has 4 layer drawer with label holder on each drawer above the handle.
 - The drawers shall operate smoothly, noise-free and easy for the push and pull operation.
- GENERAL NOTES:**
- All dimensions are in millimeter unless otherwise specified.
 - Remove burrs and sharp edges.

Date OCTOBER 2021	Scale NTS	TVL TOOLS AND EQUIPMENT	
Conceptualized by		Item Name NON-COLLAPSIBLE FILING CABINET (CABINET # 4)	Sheet 03/04
Drawn by B.C. Lisondra	Q.C. Checked by J.N. Frioja	Material COLD-ROLLED STEEL PLATE	File name CABINETDESIGN4
Recommended by A.B. Ybanez	Approved by R.C. La Rosa	 DepED-BLR	

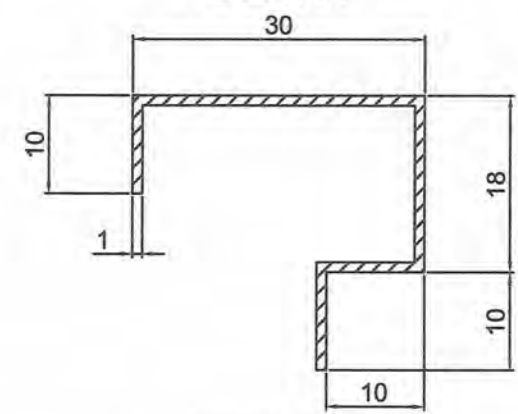


TYPICAL STIFFENER



SECTION VIEW

DET. A




SECTION VIEW

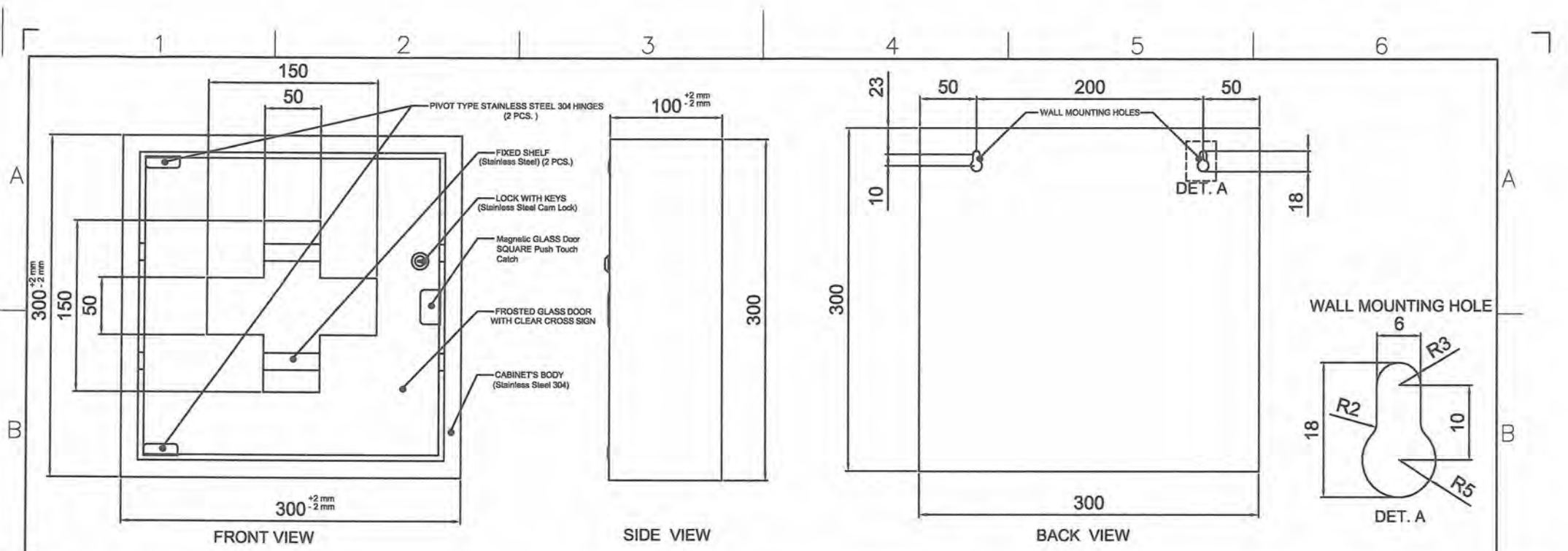
STIFFENERS :

1. 1.00mm thickness steel sheet, then powder coat.
2. Quantity : 1 pc. at the back, bottom and top surface, 2 pcs. on both sides.(see picture above)
3. Spot weld distance is 100mm.

GENERAL NOTES:

1. All dimensions are in millimeter unless otherwise specified.
2. Remove burrs and sharp edges.

Date OCTOBER 2021	Scale NTS	TVL TOOLS AND EQUIPMENT	
Conceptualized by B.C. Lisondra		Item Name NON-COLLAPSIBLE FILING CABINET (CABINET # 4)	Sheet 04/04
Designed by B.C. Lisondra	Q.C. Checked by J.N. Ajoja	Material COLD-ROLLED STEEL PLATE	File name CABINETDESIGN4
Recommended by A.B. Ybanez	Approved by R.C. La Rosa	 DepED-BlR	



Description :

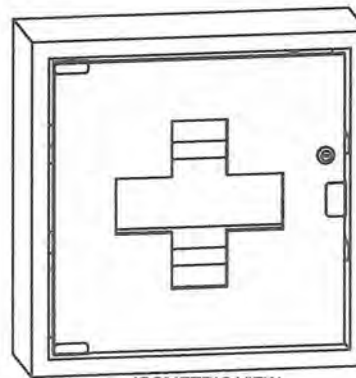
- Finish : Polished
- Material : 1.00mm Thick Stainless Steel 304 Sheet
- Size : 300mm x 300mm x 100mm
- Feature : Durable and Rigid

About Cabinet :

1. The cabinet body's material is 1.00mm thickness stainless steel 304 sheet then polished.
2. The cabinet is wall mounted.
(includes 2pcs. 5mm diameter screws for mounting).
3. There are 2 fixed shelves.(Stainless Steel 304)
4. 1 set lock with keys.(Stainless steel cam lock)
5. With hinge.(Pivot Type Press-Fit Glass Door Hinge 2 pcs.)
6. With magnetic glass door SQUARE Push Touch Catch
7. 6mm thick frosted glass door with clear cross sign at the center.
8. Assembled type cabinet.

GENERAL NOTES:

1. All dimensions are in millimeter unless otherwise specified.
2. Remove burrs and sharp edges.



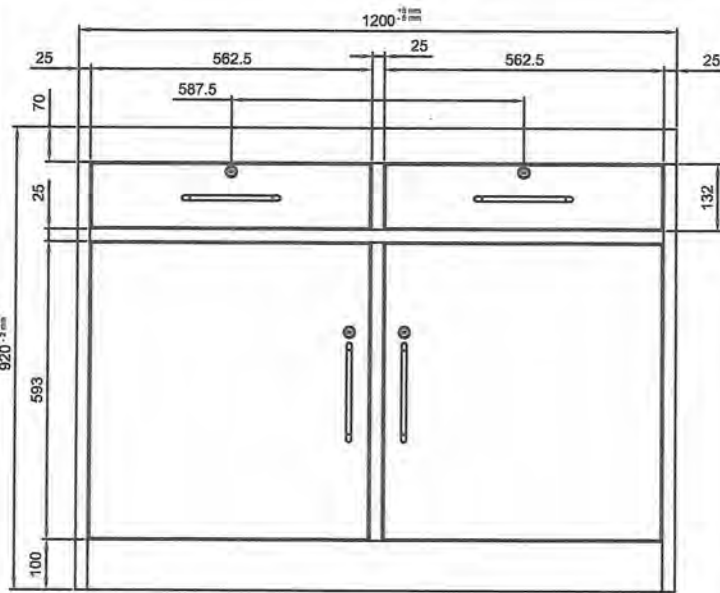
ISOMETRIC VIEW



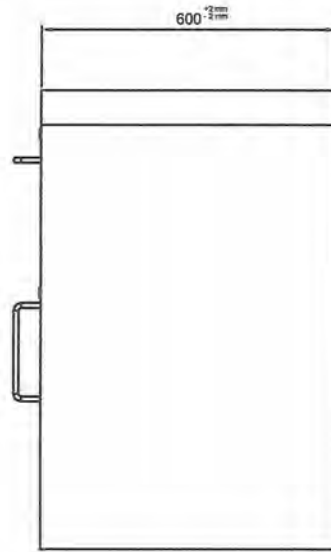
Date OCTOBER 2021		Scale NTS		TVL TOOLS AND EQUIPMENT	
Conceptualized by					
Drawn by B.C. Lisondra		Q.C. Checked by J.N. Arjoja		Material STAINLESS STEEL 304 SHEET	
Recommended by A.B. Ybafiez		Approved by R.C. La Rosa		File name CABINETDESIGN5	



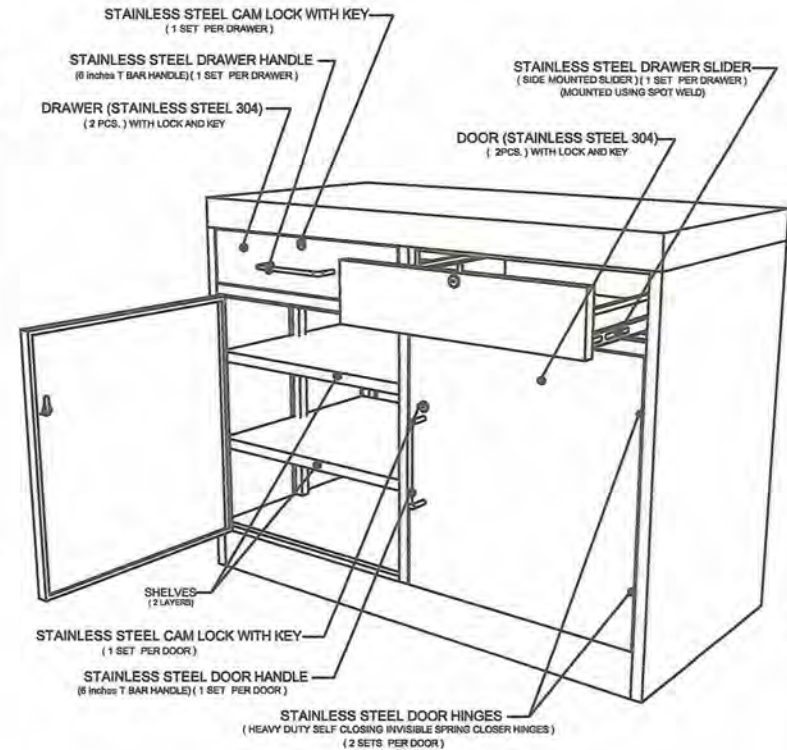
DepED-BLR



FRONT VIEW



SIDE VIEW



ISOMETRIC VIEW

Description :

- Finish : Polished
- Material : 1.00mm Thick Stainless Steel 304 Sheet
- Size : 1,200mm x 920mm x 600mm
- Feature : Durable and Rigid

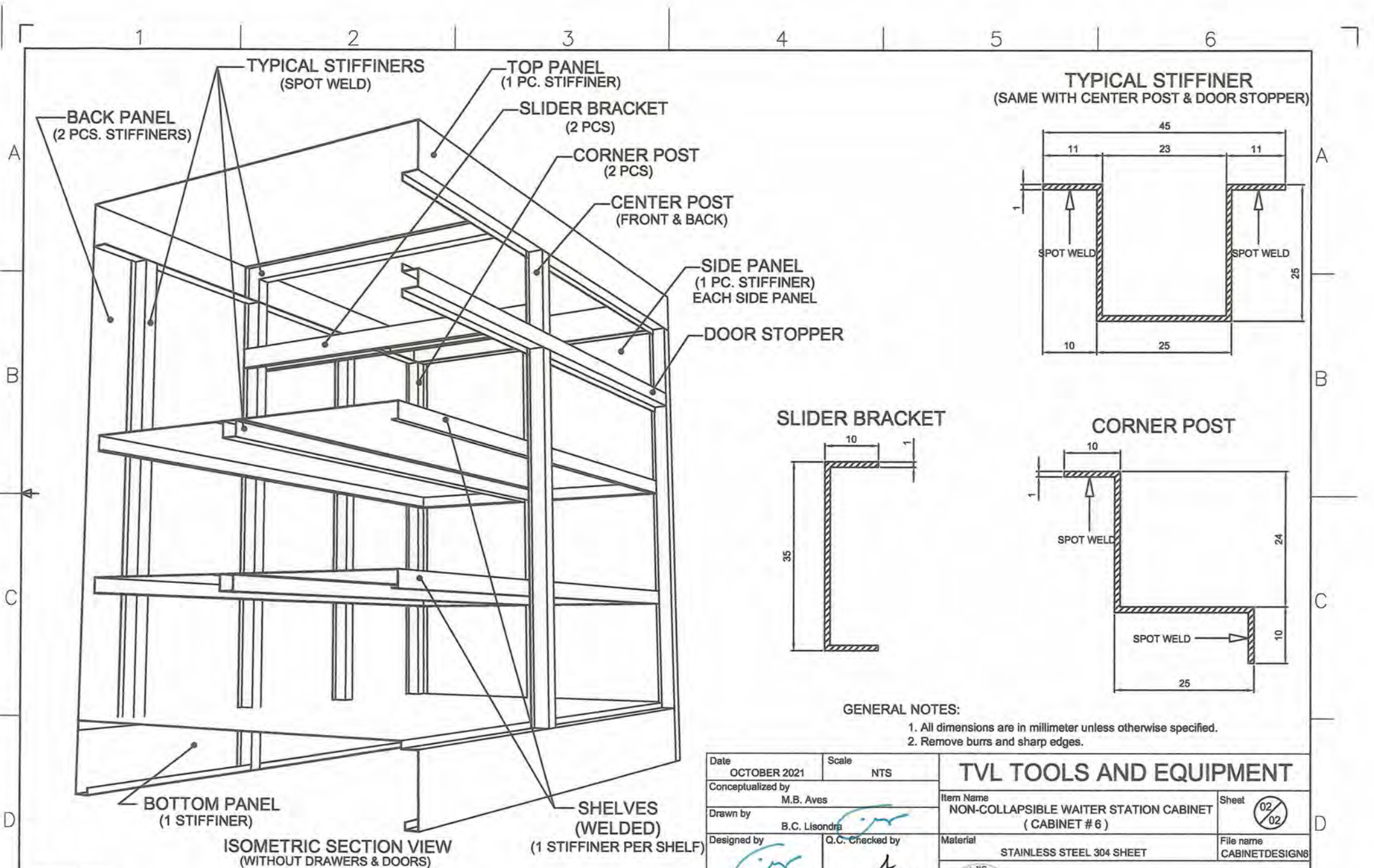
About Cabinet :

1. The cabinet is non-collapsible (Assembled Type).
2. It is made of bended and welded stainless steel 304 sheet.
3. 1.00mm thickness stainless steel 304 sheet, then polished.
4. Has 2 stainless steel drawer with stainless steel handle and lock with key.
5. The drawers shall operate smoothly, noise-free and easy for the push and pull operation. (Mounted using spot weld)
6. Has 2 stainless steel doors below the 2 drawers.
7. Each door has stainless steel handles and lock with key.
8. Each door has 2 stainless steel heavy duty self closing invisible spring closer hinges.
9. Has 2 layer permanent shelves.

GENERAL NOTES:

1. All dimensions are in millimeter unless otherwise specified.
2. Remove burrs and sharp edges.

Date OCTOBER 2021	Scale NTS	TVL TOOLS AND EQUIPMENT	
Conceptualized by M.B. Aves	Item Name NON-COLLAPSIBLE WAITER STATION CABINET (CABINET # 6)		
Drawn by B.C. Lisondra	Q/C, Checked by J.N. Anjoja	Material STAINLESS STEEL 304 SHEET	File name CABINETDESIGN6
Recommended by A.B. Ybanez	Approved by R.C. La Rosa	 DepED-BLR	

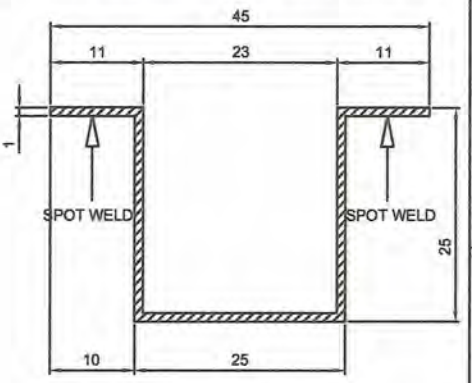


ISOMETRIC SECTION VIEW
(WITHOUT DRAWERS & DOORS)

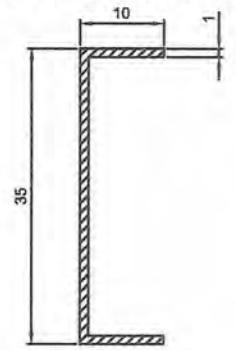
SHELVES (WELDED)
(1 STIFFINER PER SHELF)

- STIFFINERS :**
- 1.00mm thickness stainless steel 304 sheet, then polish.
 - Spot weld distance is 100mm.

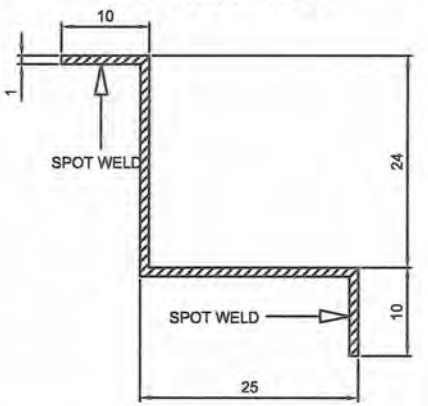
TYPICAL STIFFINER
(SAME WITH CENTER POST & DOOR STOPPER)



SLIDER BRACKET

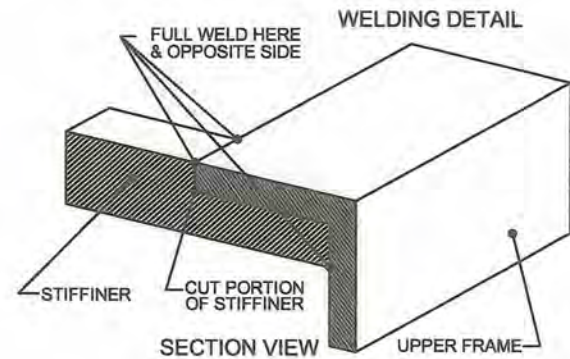
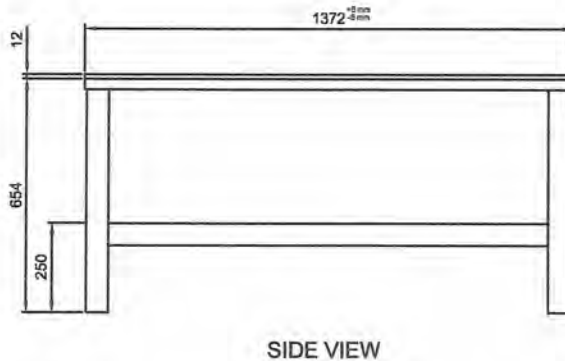
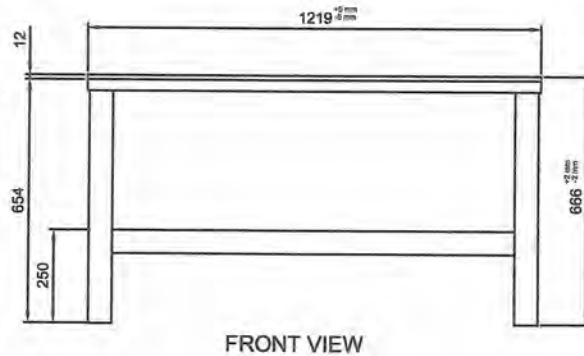
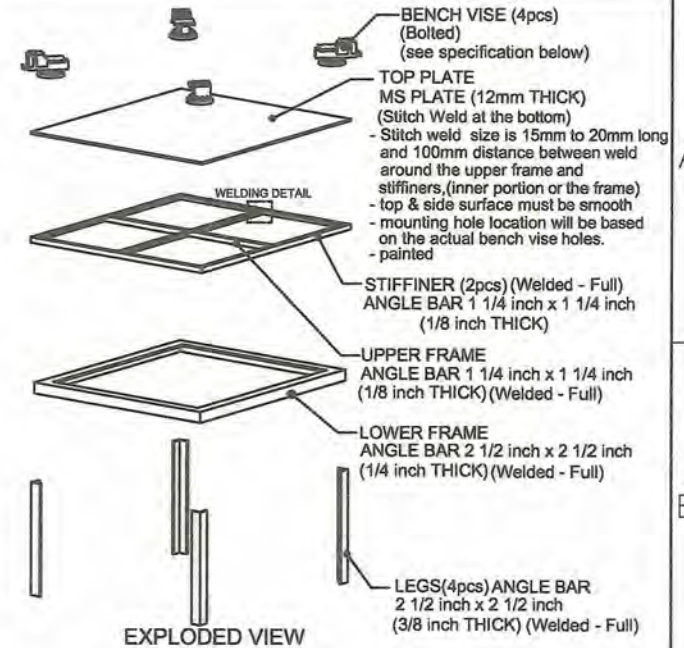
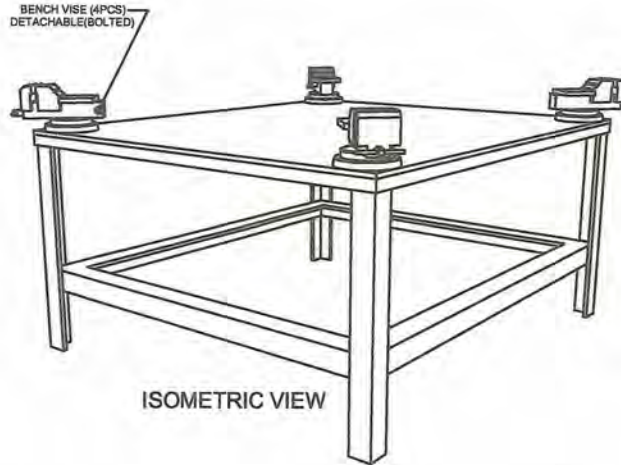
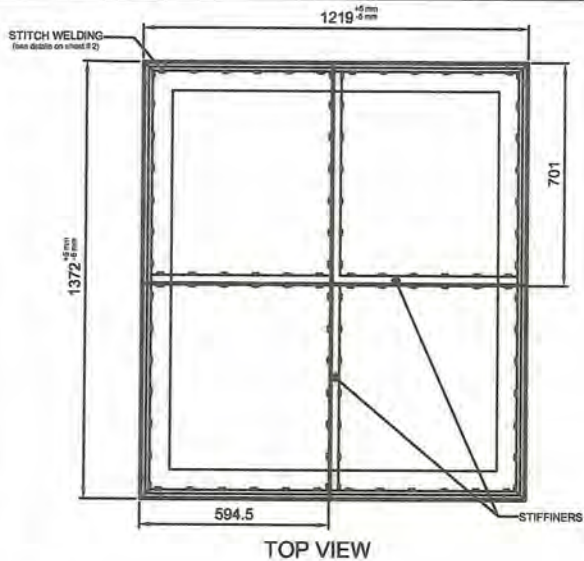


CORNER POST



- GENERAL NOTES:**
- All dimensions are in millimeter unless otherwise specified.
 - Remove burrs and sharp edges.

Date OCTOBER 2021	Scale NTS	TVL TOOLS AND EQUIPMENT	
Conceptualized by M.B. Aves	Item Name NON-COLLAPSIBLE WAITER STATION CABINET (CABINET # 6)	Sheet 02/02	
Drawn by B.C. Lisondra	Material STAINLESS STEEL 304 SHEET	File name CABINETDESIGN6	
Designed by B.C. Lisondra	Q.C. Checked by J.N. Ajoja	 DepED-BLR	
Recommended by A.B. Ybanez	Approved by R.C. La Rosa		



Description :

- Color : Gray
- Material : 12mm Thick MS Plate and Angle Bars
- Size : 1,219mm x 1,372mm x 666mm

About Work Bench :

1. All metal parts must be welded and ground to smoothen surface.
2. All components of the frame must welded in full except the top plate.
3. The entire work bench must painted with acrylic primer paint then coated with color gray acrylic paint. (Including the top surface)
4. Bench vise will be mounted using bolts and nuts. (Refer to actual bench vise for mounting hole dimensions)
5. Bench vise mounting hole will vary according to the actual holes of the bench vise.

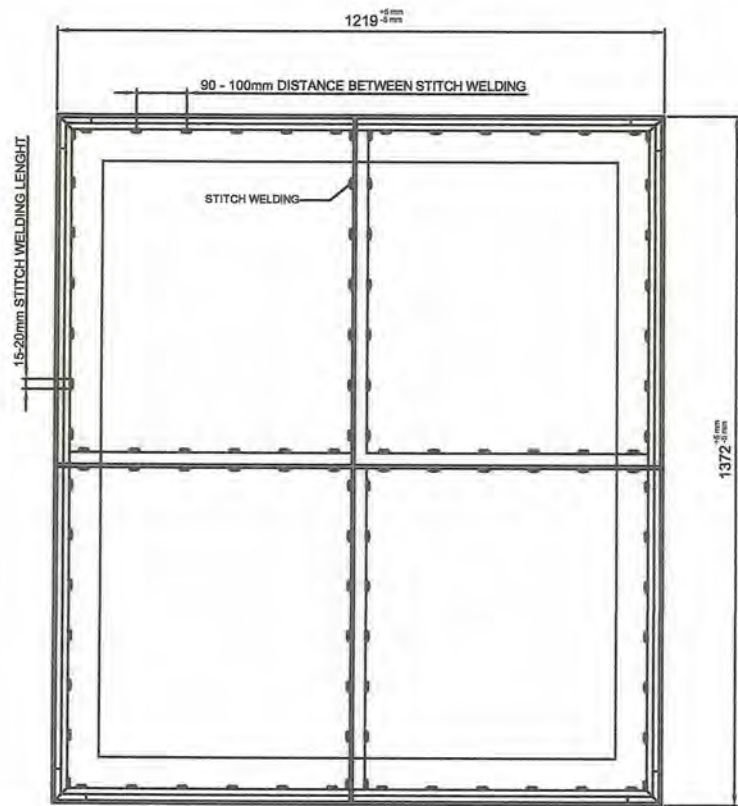
Bench Vise Specs :

- * Material : Steel with cast pipe jaws
- * Max. Jaw Opening : 4 inches (minimum)
- * Jaw Pad Size : 4in. x 1/4in. x 3/4in. (minimum)
- * Anvil Size : 1 5/8in. x 1 5/8in. (minimum) with Swivel Lock Lever
- * With Forming Horn
- * Max. Base Swivel : 270 degrees (minimum)
- * Mounting Holes : at least 3 holes with 3/8 in. mounting bolts & nuts.
- * Bench vise should be bolted to the Work Bench using 3 sets of bolts & nuts.

GENERAL NOTES:

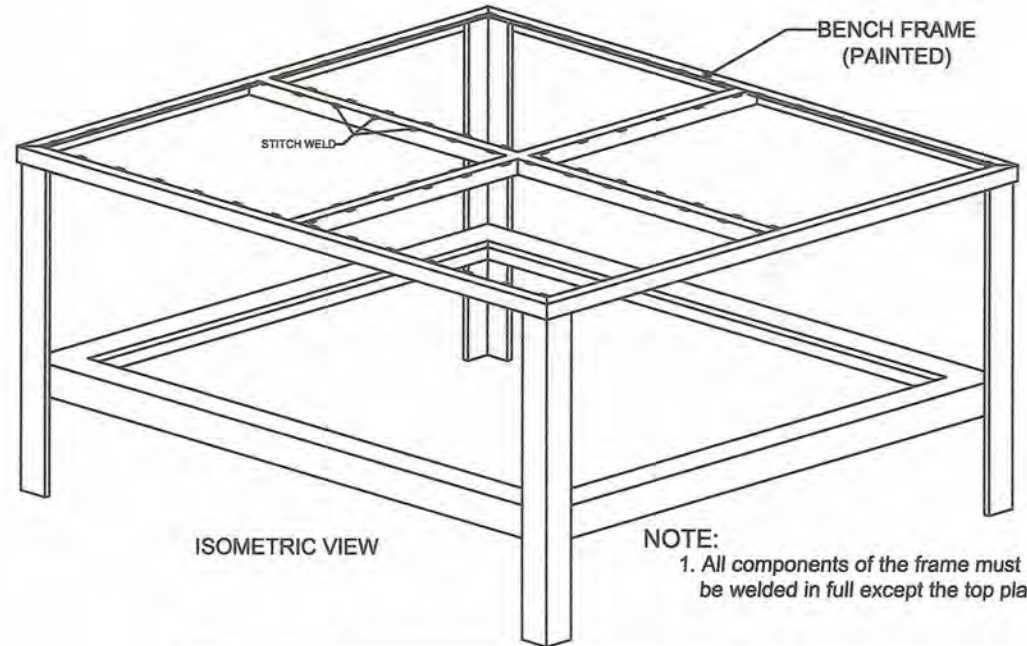
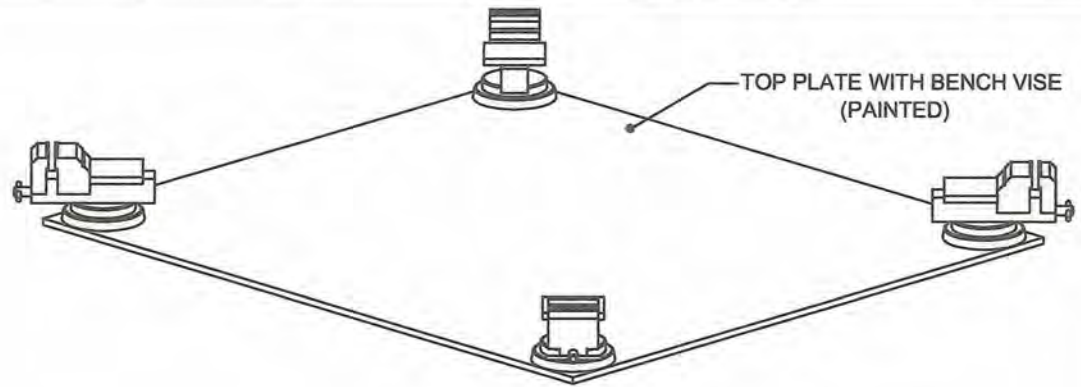
1. All dimensions are in millimeter unless otherwise specified.
2. Remove burrs and sharp edges.

Date	Scale	TVL TOOLS AND EQUIPMENT	
OCTOBER 2021	NTS	Item Name	Sheet
Conceptualized by	D.R. Lisondra	WORK BENCH WITH BENCH VISE ON 4 CORNERS	01/02
Drawn by	B.C. Lisondra	Material	File name
Designed by	Q.C. Checked by	MS PLATE & ANGLE BARS	WORK BENCH
B.C. Lisondra	J.N. Arjoja	 DepED-BLR	
Recommended by	A.B. Ybañez		
Approved by	R.C. La Rosa		



NOTE:
1. Do not grind stitch weld.

TOP VIEW



ISOMETRIC VIEW

NOTE:
1. All components of the frame must be welded in full except the top plate.

GENERAL NOTES:

1. All dimensions are in millimeter unless otherwise specified.
2. Remove burrs and sharp edges.

Date OCTOBER 2021	Scale NTS	TVL TOOLS AND EQUIPMENT	
Conceptualized by D.R. Lisondra	Item Name WORK BENCH WITH BENCH VISE ON 4 CORNERS	Sheet 02/02	
Drawn by B.C. Lisondra	Material MS PLATE & ANGLE BARS	File name WORK BENCH	
Designed by B.C. Lisondra	Q.C. Checked by J.N. Ajoja	 DepED-BLR	
Recommended by A.B. Ybafiez	Approved by R.C. La Rosa		