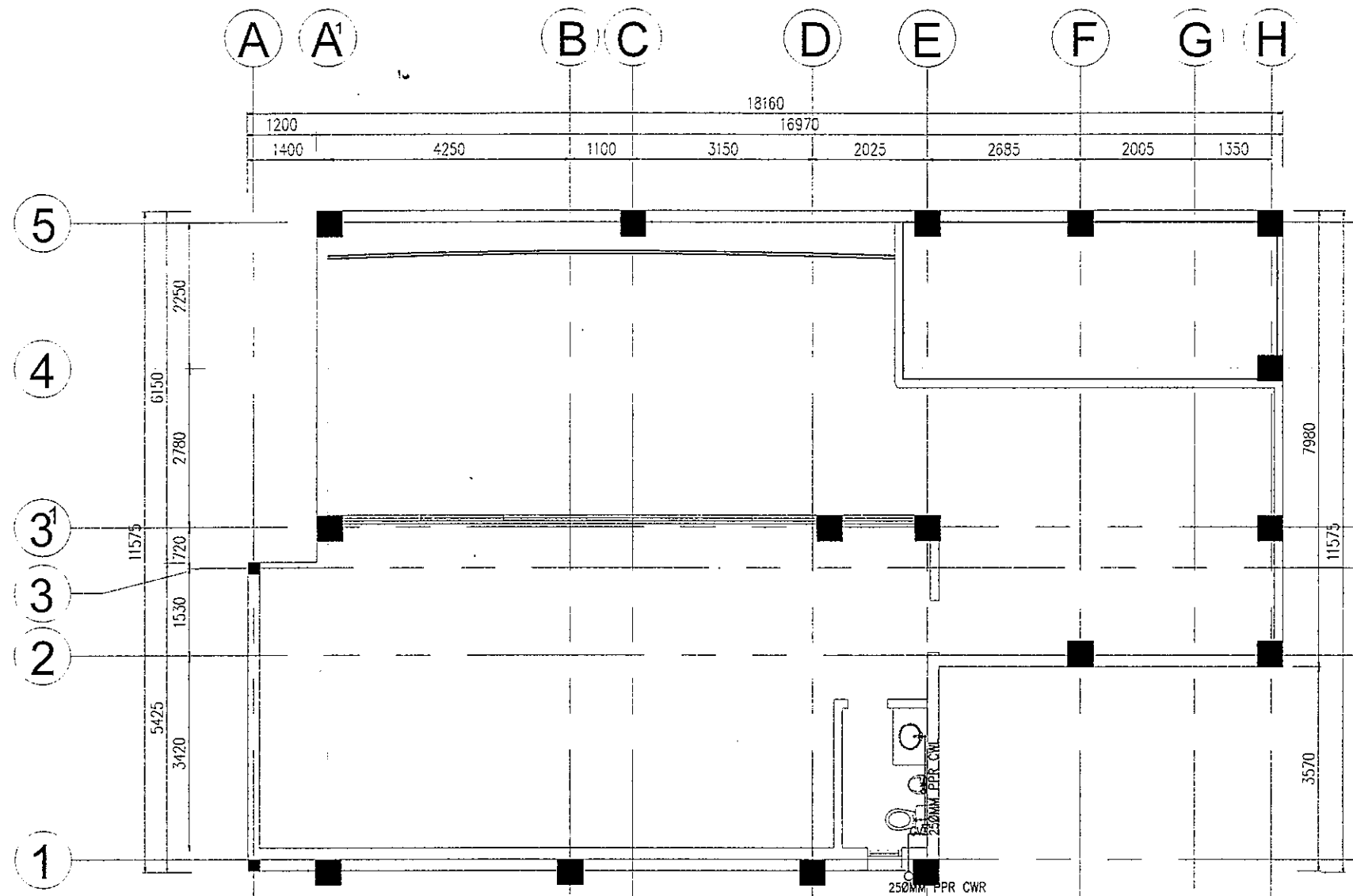


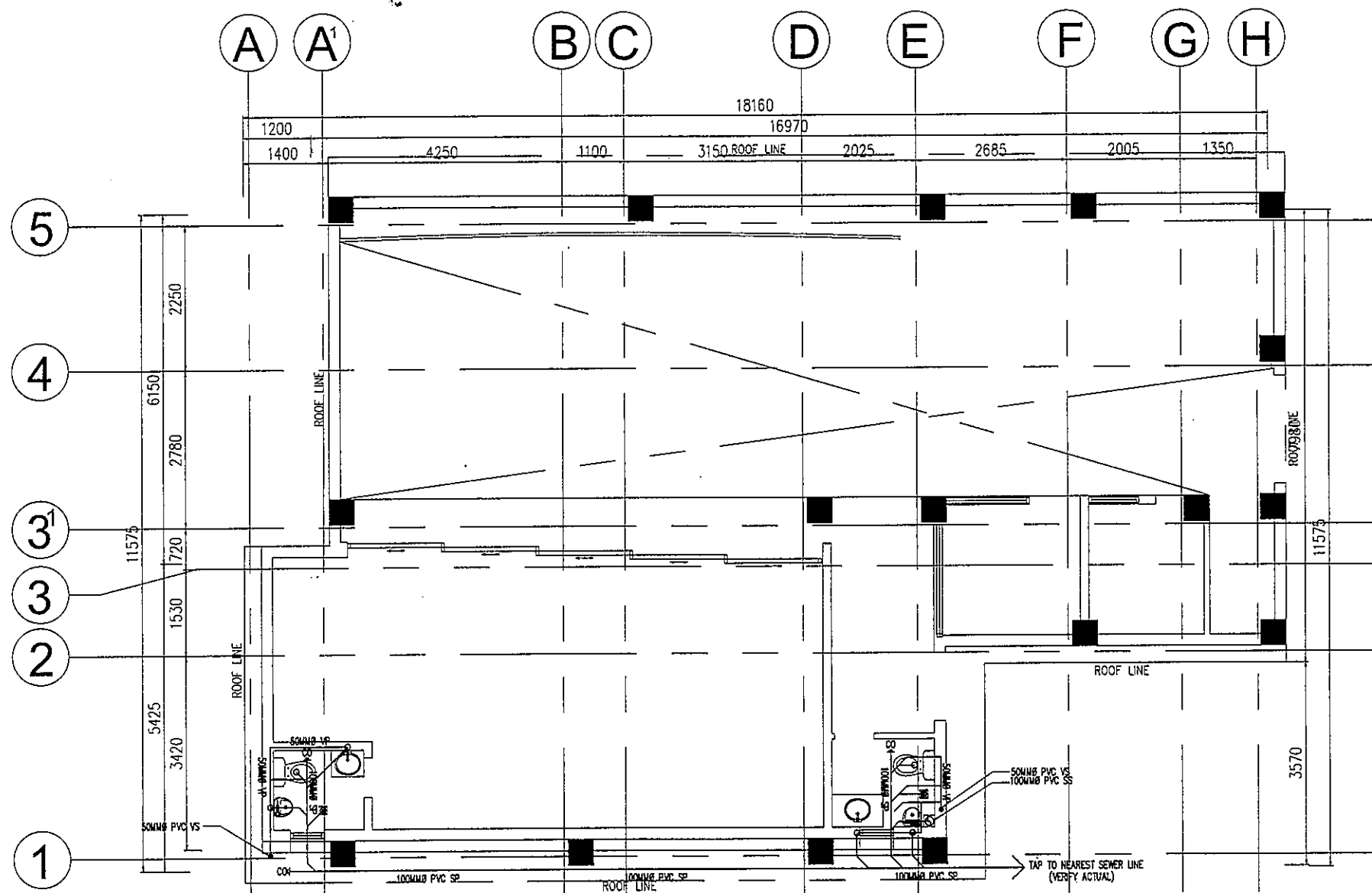
1
P-1
DEPED COMMAND CENTER
GROUND FLOOR WATERLINE LAYOUT
SCALE 1:100 M

<p>REPUBLIC OF THE PHILIPPINES DEPARTMENT OF EDUCATION EDUCATION FACILITIES DIVISION MERALCO AVENUE, PASIG CITY</p>	PREPARED BY AP. MARIA MAZAROSA PACE-ISA SENIOR ENGINEER / ASSISTANT ARCHITECT AS-001	CHECKED BY ENGR. ALORIN C. TIGAO, SE, ME, PMP ENGINEER SJ-570/05ed	RECOMMENDING APPROVAL ANNABELLE M. MANGAN CHIEF, EPD DepED	RECOMMENDING APPROVAL ROBERT M. AGUSTIN DIRECTOR IV ADMINISTRATIVE SERVICE	APPROVED BY NOLASCO A. MEMPIH UNDERSECRETARY OF ADMINISTRATION	PROJECT TITLE Extension of an Existing Building at the DepEd Central Office for the CO Matatag Center LOCATION: MERALCO AVENUE, PASIG CITY	PROJECT CODE CHIEF DEPARTMENT OF EDUCATION DepED	SHEET NO. P-1 10
	SHEET CONTENTS GROUND FLOOR WATERLINE LAYOUT							



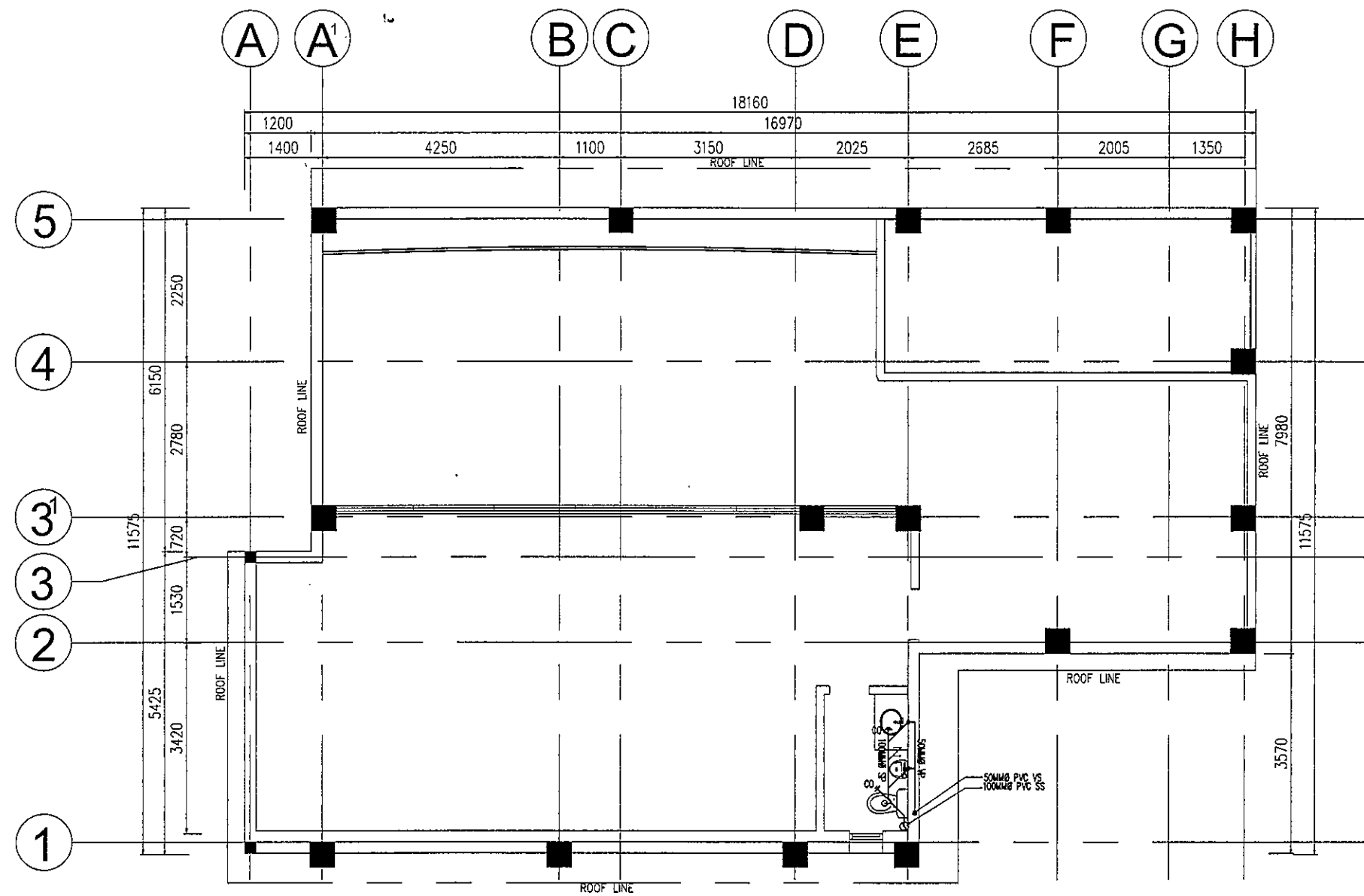
1 DEPED COMMAND CENTER
MEZZANINE FLOOR WATERLINE LAYOUT
P-2 SCALE 1:100 M

REPUBLIC OF THE PHILIPPINES DepED DEPARTMENT OF EDUCATION EDUCATION FACILITIES DIVISION MERALCO AVENUE, PASIG CITY	PREPARED BY AR. MAPIA MARCOS RACE JS SENIOR EDUCATION ASSISTANT III ARCHITECT ENGR. ERIC JORGE A. CARAG TECHNICAL ASSISTANT / ENGINEER AS-DepEd	CHECKED BY ENGR. ALURIN G. ... ENGINEER POJ-EFD/DepEd	RECOMMENDING APPROVAL ANNABELLE R. ... CHIEF, EFD DepEd	RECOMMENDING APPROVAL ROBERT M. AGUSTIN DIRECTOR II ADMINISTRATIVE SERVICE	APPROVED BY MARASCO A. MEVPIN UNDERSECRETARY OF ADMINISTRATION	PROJECT TITLE Extension of an Existing Building at the DepEd Central Office for the CO Matatag Center LOCATION MERALCO AVENUE, PASIG CITY	PROJECT CODE DEPARTMENT OF EDUCATION DepED	SHEET NO. P-2 10
	SHEET CONTENTS MEZZANINE FLOOR WATERLINE LAYOUT							



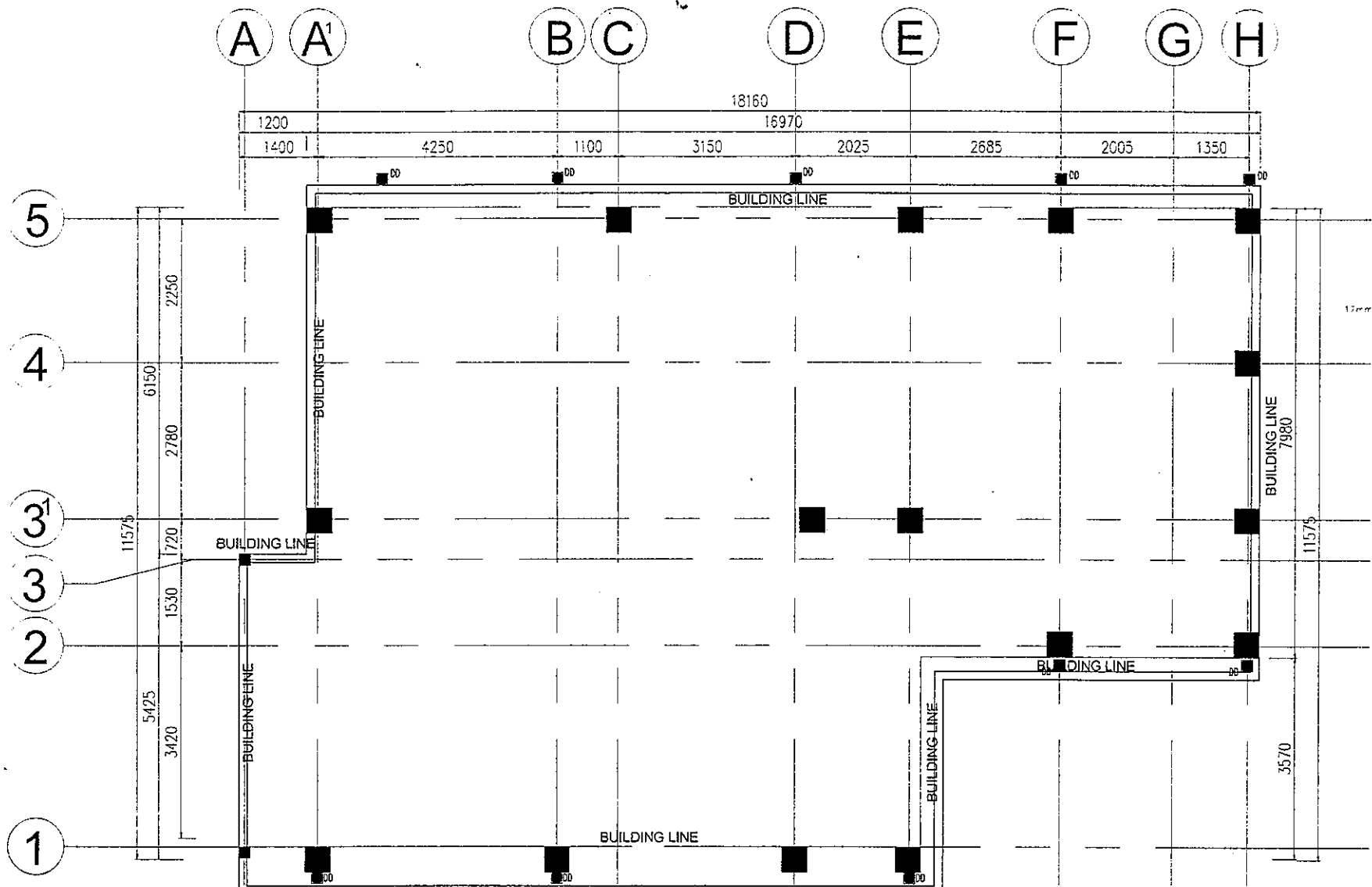
1
P-3
DEPED COMMAND CENTER
GROUND FLOOR SANITARY LAYOUT
SCALE 1:100 M

REPUBLIC OF THE PHILIPPINES DepED DEPARTMENT OF EDUCATION EDUCATION FACILITIES DIVISION MERALCO AVENUE, PASIG CITY	PREPARED BY : AR. MARIN M. BACELIS SENIOR TECHNICAL ASSISTANT III/ARCHITECT	CHECKED BY : ENGR. ALDRIN O. TAGAO, CE, ME, RMP ENGINEER II PDU-EFD/DepEd	RECOMMENDING APPROVAL : ANNABELLE N. PANGAN CHIEF, EFD DepED	RECOMMENDING APPROVAL : ROBERT M. AGUSTIN DIRECTOR IV ADMINISTRATIVE SERVICE	APPROVED BY : NOLASCO A. MEMPIN UNDERSECRETARY OF ADMINISTRATION	PROJECT TITLE : Extension of an Existing Building at the DepEd Central Office for the CO Matatag Center LOCATION : MERALCO AVENUE, PASIG CITY	PROJECT CODE :	OWNER : DEPARTMENT OF EDUCATION DepED	SHEET NO. : P-3 10
	ENGR. ERIC S. CARAG TECHNICAL ASSISTANT II/ENGINEER AS-10024	SHEET CONTENTS : GROUND FLOOR SANITARY LAYOUT							

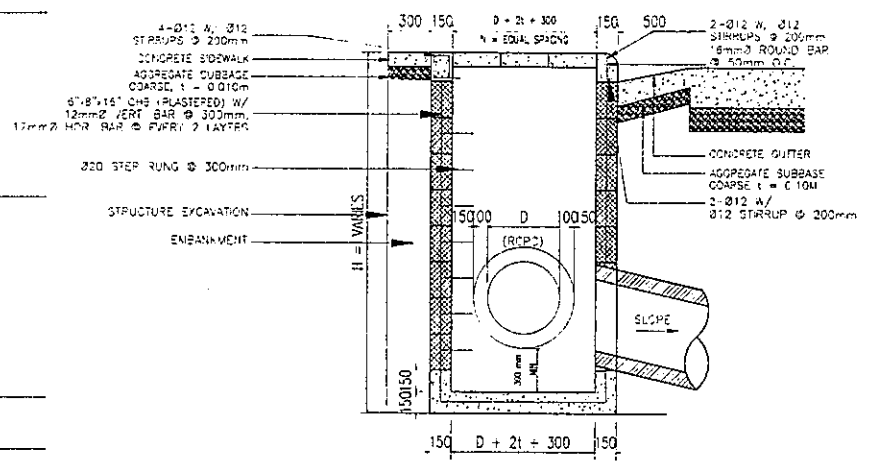


1
P-4
DEPED COMMAND CENTER
MEZZANINE FLOOR SANITARY LAYOUT
SCALE 1:100 M

REPUBLIC OF THE PHILIPPINES DepED DEPARTMENT OF EDUCATION EDUCATION FACILITIES DIVISION MERALCO AVENUE, PASIG CITY	PREPARED BY : AR MARIA MARGARET T. RACELIS SENIOR TECHNICAL ASSISTANT II / ARCHITECT ENGR. ERIC JORGE A. CARAG TECHNICAL ASSISTANT II / ENGINEER AS-DepEd	CHECKED BY : ENGR. ALDRIN S. TAGAN CE, ME, RMP ENGINEER II PDU, EFD / DepEd	RECOMMENDING APPROVAL : ANNABELLE R. PANGAN CHEF, EFD DepEd	RECOMMENDING APPROVAL : ROBERT M. AGUSTIN DIRECTOR IV ADMINISTRATIVE SERVICE	APPROVED BY : NOLASCO A. MEMPIN UNDERSECRETARY OF ADMINISTRATION	PROJECT TITLE : Extension of an Existing Building at the DepEd Central Office for the CO Matatag Center LOCATION : MERALCO AVENUE, PASIG CITY	PROJECT CODE :	OWNER : DEPARTMENT OF EDUCATION DepED	SHEET NO. : P-4 10
	SHEET CONTENTS : MEZZANINE FLOOR SANITARY LAYOUT								



1
DEPED COMMAND CENTER
ROOF PLAN DRAINAGE LAYOUT
SCALE 1:100 M
P-6



NOTES
 1 CONCRETE $f_c = 21.00 \text{ MPa}$
 2 REINFORCING BARS
 USE STRUCTURAL GRADE DEFORMED BARS. $F_y = 276.00 \text{ MPa}$

2
DEPED COMMAND CENTER
DETAILED MANHOLE SECTION
SCALE 1:50 M
P-6

REPUBLIC OF THE PHILIPPINES DepEd DEPARTMENT OF EDUCATION EDUCATION FACILITIES DIVISION MERALCO AVENUE, PASIG CITY	PREPARED BY: AR. MARIA ALMAGOSA - RACE, IS SENIOR TECHNICAL ASSISTANT IN ARCHITECTURE	CHECKED BY: ENGR. ALDRIN C. MAGAU, P.E., P.M.P. ENGR. # PDU-EFD/MSD	RECOMMENDING APPROVAL: ANISABELLE R. PANMAN CHIEF, EFD DepEd	RECOMMENDING APPROVAL: ROBERT M. AGUSTIN DIRECTOR II ADMINISTRATIVE SERVICE	APPROVED BY: NOLASCO A. MEMPO UNDERSECRETARY OF ADMINISTRATION	PROJECT TITLE: Extension of an Existing Building at the DepEd Central Office for the CO Matatag Center LOCATION: MERALCO AVENUE, PASIG CITY	PROJECT CODE: OWNER: DEPARTMENT OF EDUCATION DepEd	SHEET NO.: P-6 10
	SHEET CONTENTS: ROOF PLAN DRAINAGE LAYOUT DET. MANHOLE SECTION							


PLUMBING NOTES:

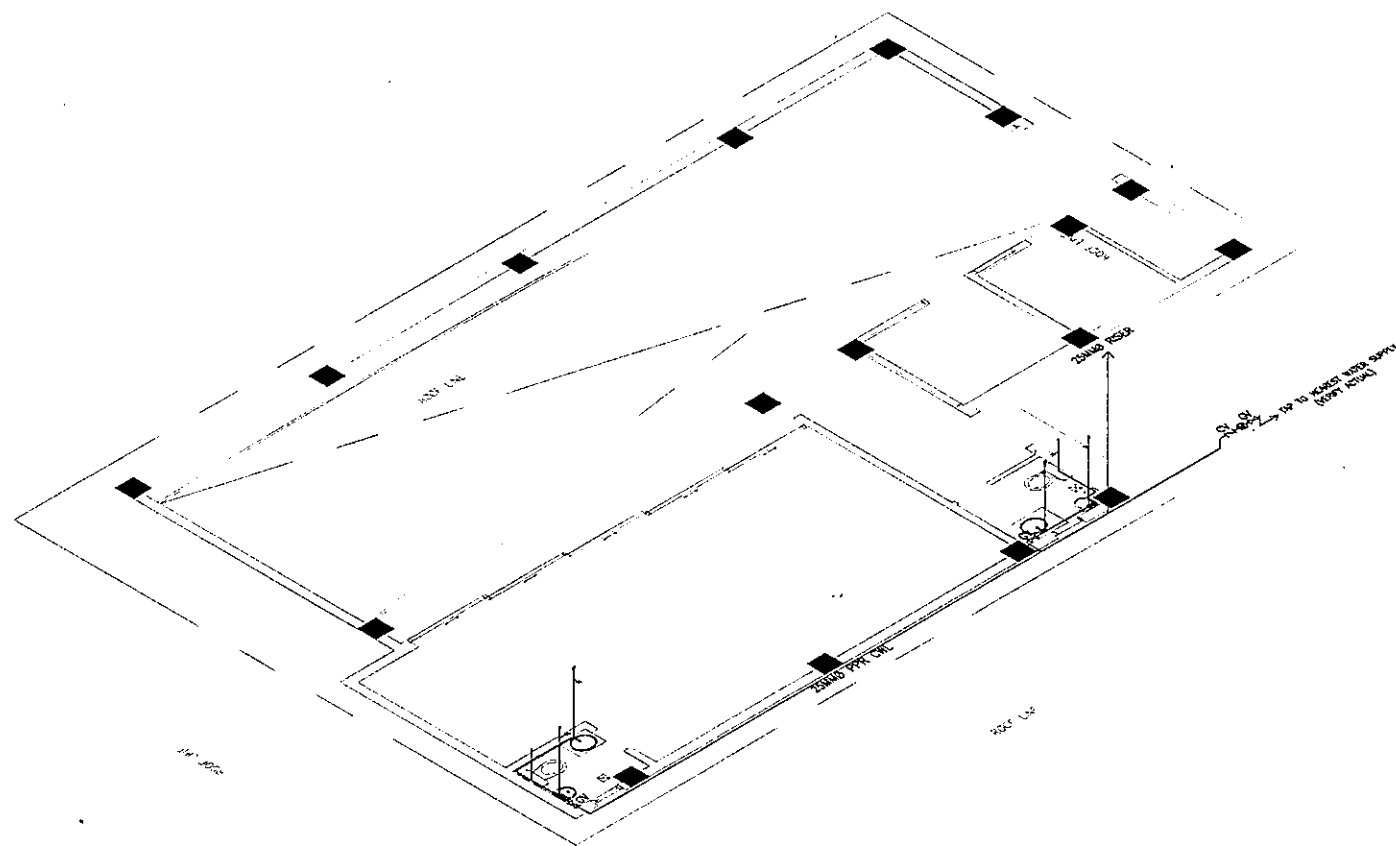
1. GRADES OF HORIZONTAL PIPING
RUN ALL HORIZONTAL PIPINGS IN PERFECT ALIGNMENT AND AT A FORM GRADE OF NOT LESS THAN TWO PERCENT (2%).
2. CHANGE IN DIRECTION
ALL CHANGE IN DIRECTION SHALL BE MADE BY APPROPRIATE USE OF FORTY FIVE DEGREES (45°) WYES, LONGSWEEP QUARTER BEND, SIX-EIGHT OR SIXTEENTH BENDS. WHEN THE CHANGE OF FLOW IS FROM HORIZONTAL TO VERTICAL, 1/8 BEND COMBINATION MAYBE USED ON VERTICAL STACKS AND SHORT QUARTER BENDS MAYBE USED ON WASTE LINE. TEE AND CROSSES MAYBE USED IN VENT PIPES.
3. PROHIBITED FITTINGS
NO DOUBLE HUB OR TEE BRANCH SHALL BE USED ON HORIZONTAL WASTE LINES. THE DRILLINGS AND TAPPINGS OF HOUSE DRAIN, WASTE OR VENT PIPES AND USE OF SADDLE HUB AND BEND ARE PROHIBITED.
4. SLEEVES
PROVIDE PIPE SLEEVES AT WALLS, COLUMNS OR SLABS ONE SIZE BIGGER THAN THE ACTUAL SIZE PASSING THROUGH THE WALLS, COLUMNS OR UNDER SLAB TO PROTECT PIPE FROM BREAKAGE.
5. PIPE CLEAN-OUTS
PIPE CLEAN-OUTS ARE REQUIRED UNDER THE FOLLOWING CONDITIONS:
 - a. EVERY CHANGE IN HORIZONTAL DIRECTIONS EXCEEDING TWENTY-TWO AND ONE-HALF DEGREES (22 1/2°).
 - b. ONE AND ONE-HALF METERS (1.50 m) INSIDE THE PROPERTY LINE BEFORE THE HOUSE DRAINAGE CONNECTION.
 - c. EVERY FIFTEEN METERS (15.00 m) IN HORIZONTAL RUN OF PIPES.
 - d. AT THE END OF ANY HORIZONTAL PIPE LINES.
6. THE DIGESTION CHAMBER OF SEPTIC VAULT MUST BE WATERPROOFED.
7. NOT LESS THAN 300 mm OF AIR SPACE MUST BE LEFT BETWEEN THE TOP OF THE SEWAGE AND THE UNDER PART OF THE VAULT ROOF SLAB.
8. NO SEPTIC VAULT MUST BE CONSTRUCTED UNDER THE BUILDING.
9. ALL PLUMBING WORKS SHALL BE DONE BY A LICENSED MASTER PLUMBER AND A LICENSED PLUMBING CONTRACTOR.

PLUMBING LEGEND:

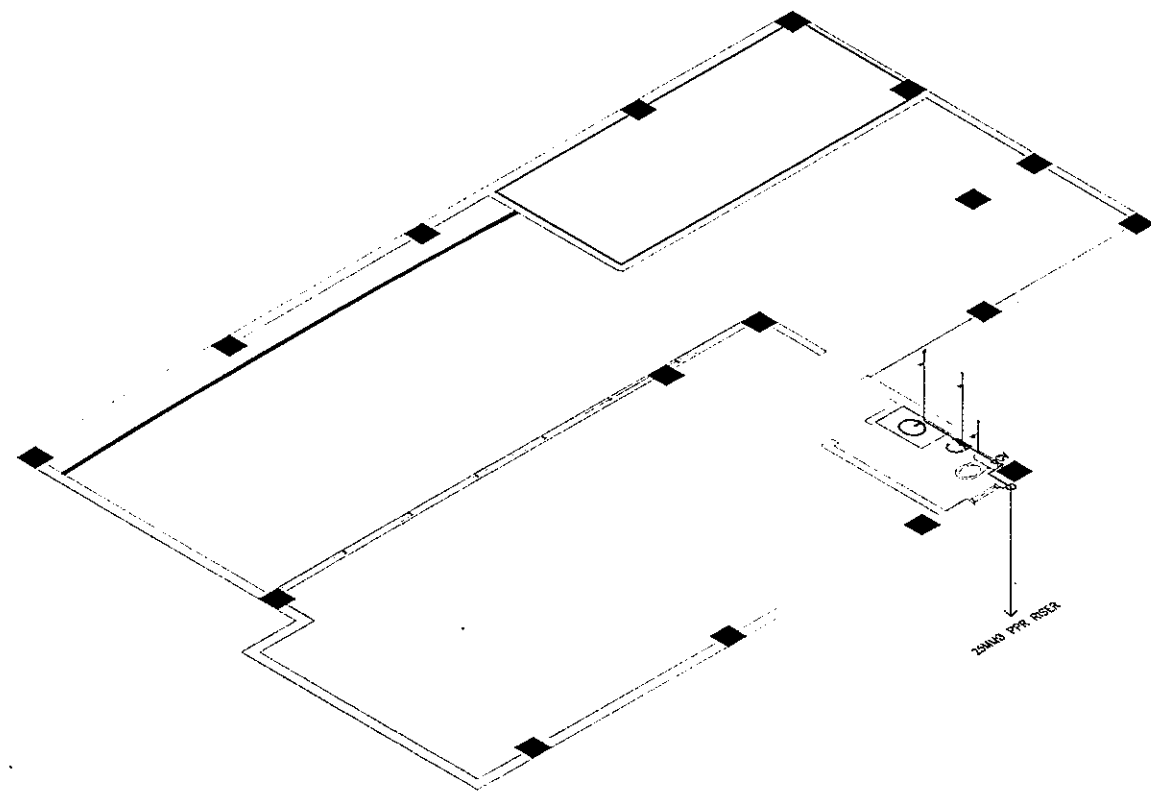
CD	CORRIDOR DRAIN	PVCSP	POLYVINYL CHLORIDE SOIL PIPE (SERIES 1000) (ASTM D2729 / ASTM D3311, ISO 4435 / ASTM D2564)
CO	CLEAN OUT	PVCSS	POLYVINYL CHLORIDE SOIL STACK (SERIES 1000) (ASTM D2729 / ASTM D3311, ISO 4435 / ASTM D2564)
CV	CHECK VALVE	PVCVP	POLYVINYL CHLORIDE VENT PIPE (SERIES 600) (ASTM D2729 / ASTM D3311, ISO 4435 / ASTM D2564)
FD	FLOOR DRAIN	PVCVS	POLYVINYL CHLORIDE VENT STACK (SERIES 600) (ASTM D2729 / ASTM D3311, ISO 4435 / ASTM D2564)
FDC	FIRE DEPARTMENT CONNECTION	PVCVTR	POLYVINYL CHLORIDE VENT THROUGH ROOF (SERIES 600) (ASTM D2729 / ASTM D3311, ISO 4435 / ASTM D2564)
FHC	FIRE HOSE CABINET	PVCWP	POLYVINYL CHLORIDE WASTE PIPE (SERIES 1000) (ASTM D2729 / ASTM D3311, ISO 4435 / ASTM D2564)
HB	HOSE BIBB	RD	ROOF DRAIN
G.I	GALVANIZED IRON	SD	SINK DRAIN
GT	GREASE TRAP	UD	URINAL DRAIN
GV	GATE VALVE	WC	WATER CLOSET
LAV	LAVATORY	WM	WATER METER
KS	KITCHEN SINK		
MH	MANHOLE		
P-PRC CWL	POLYPROPYLENE RANDOM COPOLYMER COLD WATER LINE, TYPE 3, PN 20 (ISO 15874 / JOINING BY SOCKET FUSION)		
P-PRC CWR	POLYPROPYLENE RANDOM COPOLYMER COLD WATER RISER, TYPE 3, PN 20 (ISO 15874 / JOINING BY SOCKET FUSION)		
PVCDP	POLYVINYL CHLORIDE DRAIN PIPE (SERIES 1000) (ASTM D2729 / ASTM D3311, ISO 4435 / ASTM D2564)		
PVCDS	POLYVINYL CHLORIDE DOWNSPOUT (SERIES 1000) (ASTM D2729 / ASTM D3311, ISO 4435 / ASTM D2564)		

1
P-7
SCALE 1:100 M


 REPUBLIC OF THE PHILIPPINES DepEd DEPARTMENT OF EDUCATION EDUCATION FACILITIES DIVISION MERALCO AVENUE, PASIG CITY	PREPARED BY: AP MARI MARAPINA RACE LIS SENIOR ENGINEER IN CHARGE ENGR. EPIC GEORGE A. CARAC TECHNICAL ASSISTANT / ENGINEER	CHECKED BY: ENGR. ALDRIN TANG, CE, ME, RMP ENGR. # P-7-EPD/CeEdS	RECOMMENDING APPROVAL: ANNE ELLE R. PAVGAN CHIEF, EPD DepEd	RECOMMENDING APPROVAL: ROBERT M. AGUSTIN DIRECTOR IV ADMINISTRATIVE SERVICE	APPROVED BY: NGILANNO A. CUYPI DEPUTY SECRETARY OF ADMINISTRATION	PROJECT TITLE: Extension of an Existing Building at the DepEd Central Office for the CO Matatag Center	PROJECT CODE: DEPARTMENT OF EDUCATION DepEd PLUMBING NOTES AND LEGENDS	SHEET NO. P-7 10
	LOCATION: MERALCO AVENUE, PASIG CITY							

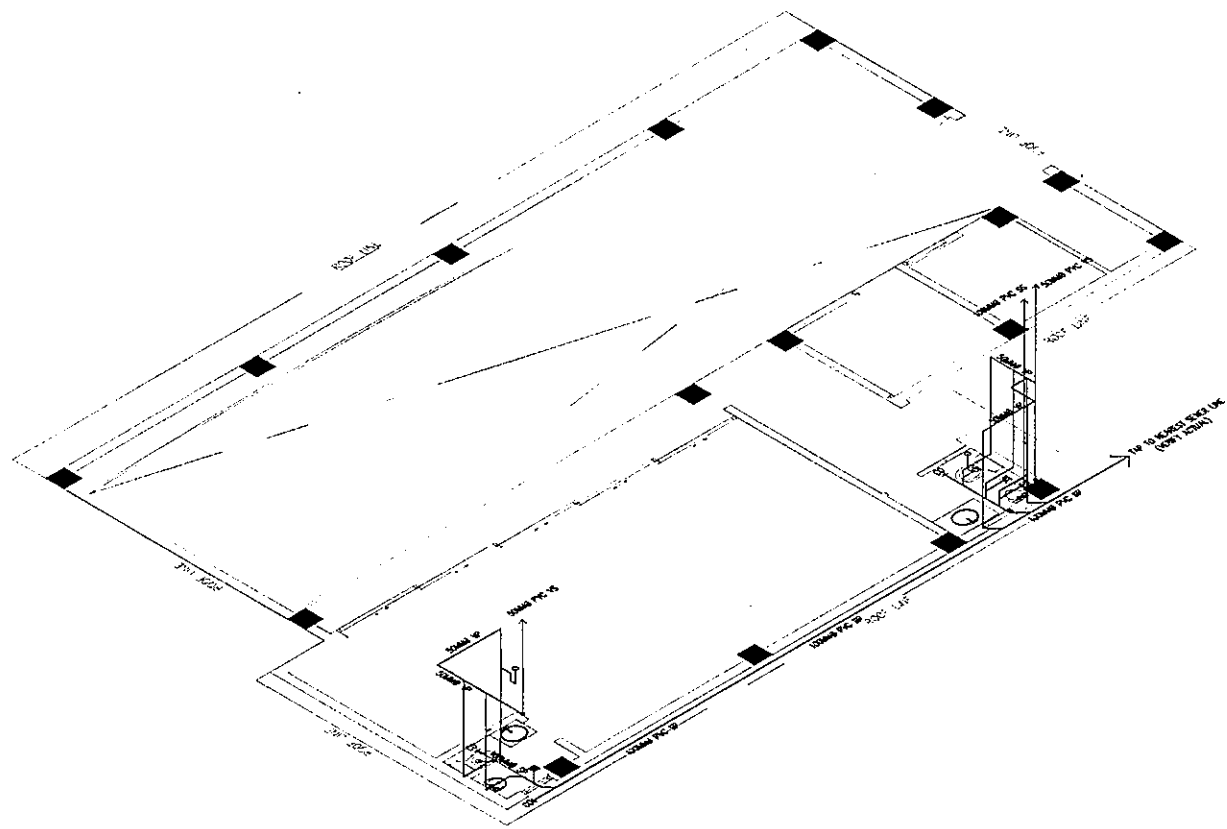


1
P-8
DEPED COMMAND CENTER
GF WATERLINE ISOMETRIC DIAGRAM
SCALE NTS

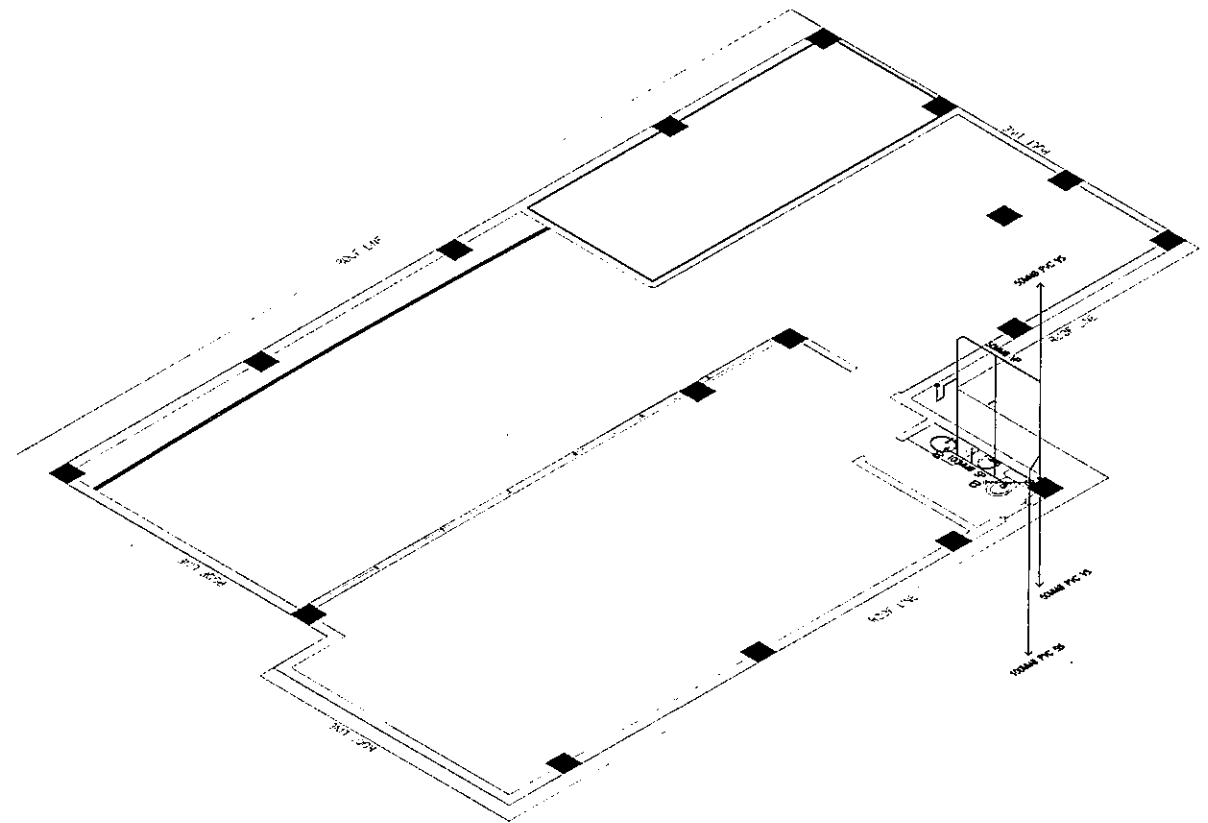


2
P-8
DEPED COMMAND CENTER
MEZ. FL. WATERLINE ISOMETRIC DIAGRAM
SCALE NTS

 <p>REPUBLIC OF THE PHILIPPINES DepEd DEPARTMENT OF EDUCATION EDUCATION FACILITIES DIVISION MERALCO AVENUE, PASIG CITY</p>	PREPARED BY AP. MARIAN MARGARITA PACE, IS SENIOR ENGINEER IN CHARGE ENGR. ERIC JORGE A. CARAG TECHNICAL ASSISTANT I, ENGINEER AS-DepEd	CHECKED BY ENGR. ALDRY U. TAGALA, CE, ME, PMP ENGINEER II PDJ-EFD/DepEd	RECOMMENDING APPROVAL ANNABELLE R. PANGAN CHIEF, EFD DepEd	RECOMMENDING APPROVAL ROBERT M. AGUSTIN DIRECTOR IV ADMINISTRATIVE SERVICE	APPROVED BY DOMASCO A. MENPIN UNDERSECRETARY OF ADMINISTRATION	PROJECT TITLE Extension of an Existing Building at the DepEd Central Office for the CO Matatag Center	PROJECT CODE DEPARTMENT OF EDUCATION DepEd	SHEET NO. P-8 10
	LOCATION: MERALCO AVENUE, PASIG CITY						SHEET CONTENTS GROUND FLOOR WATERLINE ISOMETRIC DIAGRAM MEZZANINE FLOOR WATERLINE ISOMETRIC DIAGRAM	

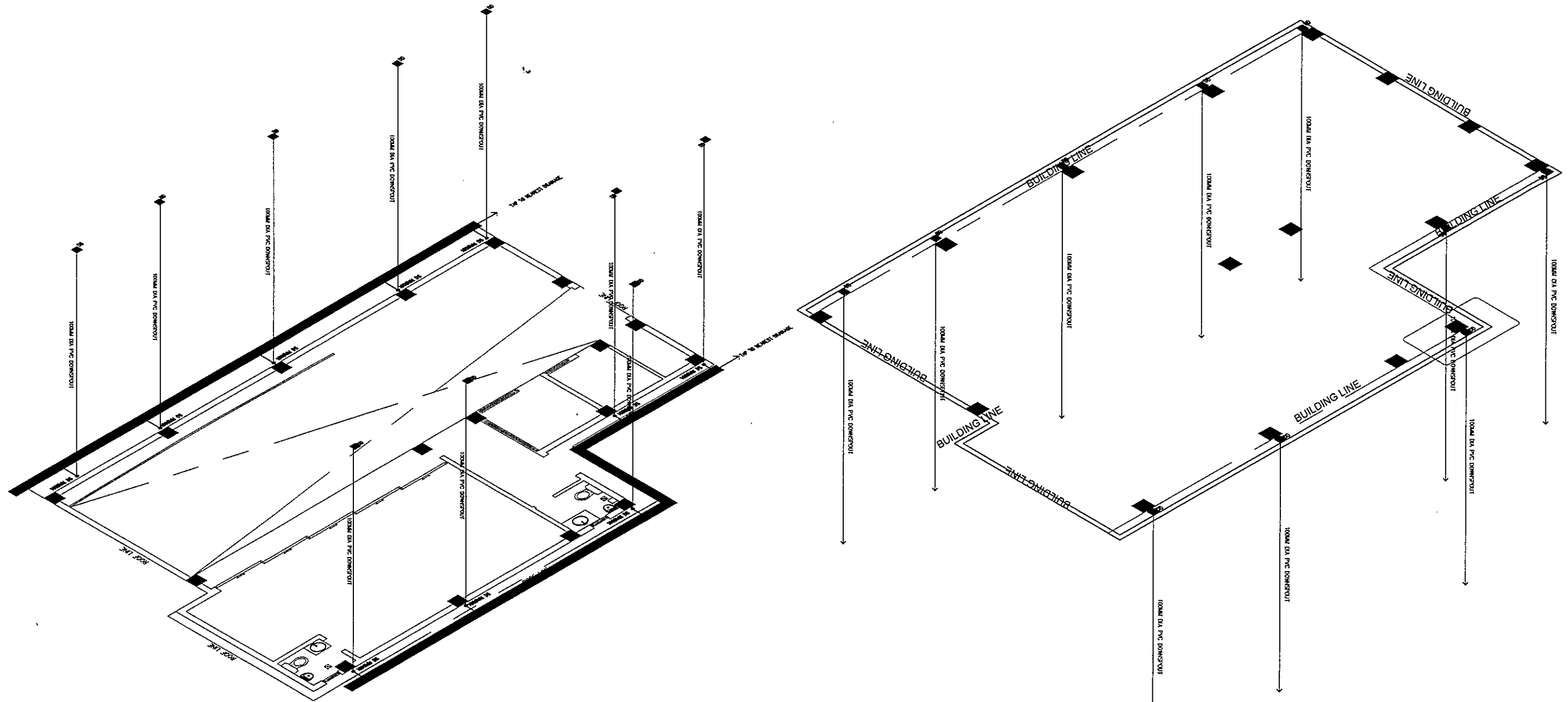


1
P-9
DEPED COMMAND CENTER
GF SANITARY ISOMETRIC DIAGRAM
SCALE NTS



2
P-9
DEPED COMMAND CENTER
MEZ. FL. SANITARY ISOMETRIC DIAGRAM
SCALE NTS

REPUBLIC OF THE PHILIPPINES DepEd DEPARTMENT OF EDUCATION EDUCATION FACILITIES DIVISION MERALCO AVENUE, PASIG CITY	PREPARED BY: AR. MARY MARICELITA BATELIS SENIOR ARCHITECT	CHECKED BY: ENGR. ALDRIN C. TAYAO, CE,ME,RMP	RECOMMENDING APPROVAL: ANIBELLE R. PAJGAN CHIEF, EFD DepEd	RECOMMENDING APPROVAL: ROBERT M. AGUSTIN DIRECTOR ADMINISTRATIVE SERVICE	APPROVED BY: YOLASCO A. MEMPIN UNDERSECRETARY OF ADMINISTRATIVE SERVICE	PROJECT TITLE: Extension of an Existing Building at the DepEd Central Office for the CO Matatag Center	PROJECT CODE: 	OWNER: DEPARTMENT OF EDUCATION DepEd	SHEET NO.: P-9 10
	ENGR. ERIC JORGE A. CARAG TECHNICAL ASSISTANT / ENGINEER DepEd					LOCATION: MERALCO AVENUE, PASIG CITY		SHEET CONTENTS: GROUND FLOOR SANITARY ISOMETRIC DIAGRAM MEZZANINE FLOOR SANITARY ISOMETRIC DIAGRAM	



1
P-10
DEPED COMMAND CENTER
GF DRAINAGE ISOMETRIC DIAGRAM
SCALE NTS

2
P-10
DEPED COMMAND CENTER
ROOF PLAN DRAINAGE ISOMETRIC DIAGRAM
SCALE NTS

REPUBLIC OF THE PHILIPPINES DepED DEPARTMENT OF EDUCATION EDUCATION FACILITIES DIVISION MERALCO AVENUE, PASIG CITY	PREPARED BY : AR. MARIA MARGARITA T. BACELIS SENIOR TECHNICAL ASSISTANT III/ARCHITECT	CHECKED BY : ENGR. ALDRIN A. TAGAS, CE,ME,RMP ENGINEER II PDU-EPD/DepEd	RECOMMENDING APPROVAL : ANABELLE R. PANGAN CHIEF, EPD DepEd	RECOMMENDING APPROVAL : ROBERT M. AGUSTIN DIRECTOR IV ADMINISTRATIVE SERVICE	APPROVED BY : NOLASCO A. MEMPIN UNDERSECRETARY OF ADMINISTRATIVE SERVICE	PROJECT TITLE : Extension of an Existing Building at the DepEd Central Office for the CO Matatag Center	PROJECT CODE : OWNER : DEPARTMENT OF EDUCATION DepED	SHEET NO. : P-10 10
	LOCATION : MERALCO AVENUE, PASIG CITY						SHEET CONTENTS : GROUND FLOOR DRAINAGE ISOMETRIC DIAGRAM ROOF PLAN DRAINAGE ISOMETRIC DIAGRAM	