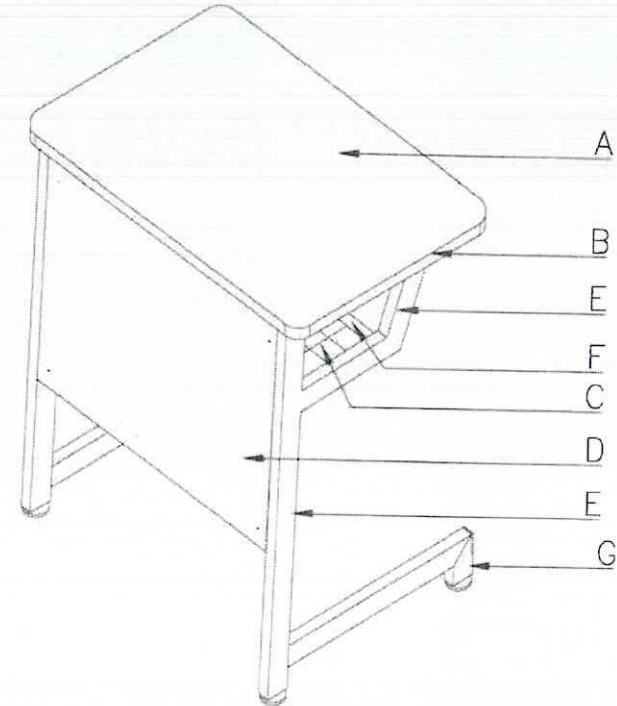


1	TECHNICAL SPECIFICATIONS OF LEARNER'S TABLE	
MARK	COMPONENTS	SPECIFICATIONS
A	TABLE TOP	18MM THK TOP BOARD ROUND CORNER'S (1 SIDE 1.0MM THK HIGH PRESSURE LAMINATE/1 SIDE VARNISH FINISHES ON MARINE PLYWOOD)
B	EDGING	1.0 MM THK PVC EDGING, ALL EDGES OF TABLE TOP
C	SHELF	METAL WIRE MESH 4MMTHKX50X50
D	FRONT COVER	6MM THK FRONT COVER (1 SIDE 1.0MM THK HIGH PRESSURE LAMINATE / 1 SIDE VARNISH FINISHES ON MARINE PLYWOOD)
E	MAIN FRAME	1.0MMTHKX20MMX40MM STEEL TUBULAR
F	SECONDARY FRAME	1.0MMTHKX20MMX20MM STEEL TUBULAR
G	ADJUSTABLE LEVELER	8MM ϕ THREAD WITH 38MM ϕ PLASTIC BASE
	CONNECTOR/FLAT BAR	1MMTHKX25MMX50MM STEEL FLAT BAR (TABLE TOP: 4PCS; SCREW)
	CONNECTION	WOOD TO STEEL: SCREW: E-TYPE HEX M6X13mm: (TABLE TOP) RIVETS: BLIND RIVET (FRONT COVER) STEEL TO STEEL: FULL WELDING CONNECTION



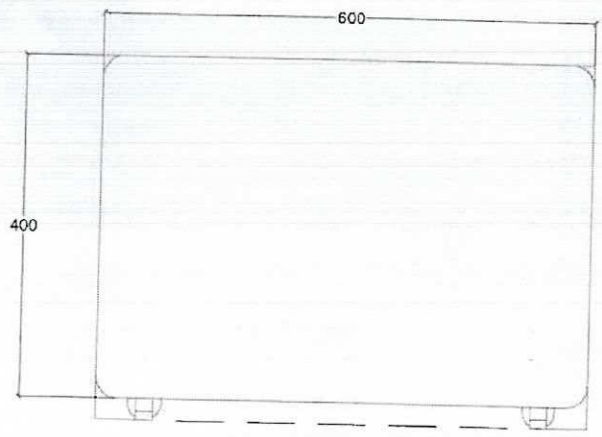
1
1 SCALE ISOMETRIC VIEW OF LEARNER'S TABLE -M

2a	SCHEDULE OF FINISHES	
TOP BOARD	1.0MM THK HIGH PRESSURE LAMINATE	
EDGING	1.0 MM THK PVC EDGING, ALL EDGES OF TABLE TOP	
FRONT COVER	1.0MM THK HIGH PRESSURE LAMINATE	
METAL/STEEL TUBULAR	POWDER COATED (BLACK); SMOOTH, GLOSSY FINISH	
LAMINATE COLOR	PANTONE 729C OR COLOR HEX #007c45 / RGB 186, 124, 69 / CMYK 0%, 33%, 63%, 27% WITH WOOD GRAIN (SERANO BEECH OR EQUIVALENT)	

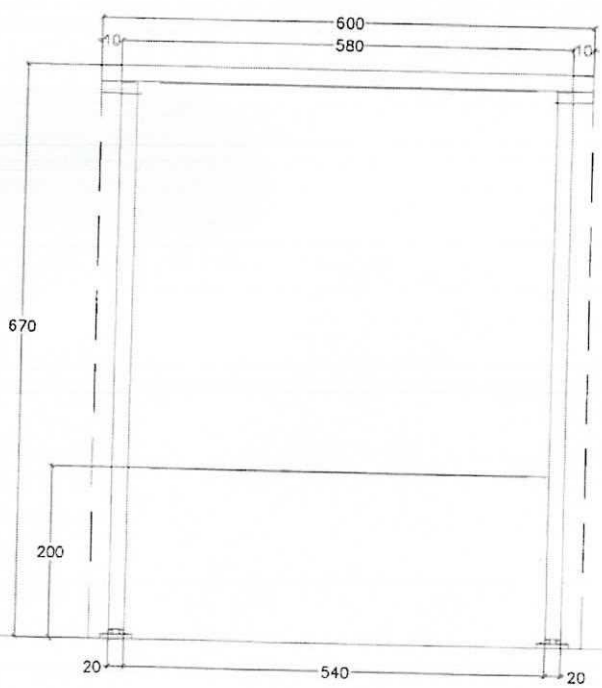
3	DIMENSIONS OF LEARNER'S TABLE(mm) (TOLERANCE \pm 10mm)		
MARK	COMPONENTS	DIMENSIONS	
		ELEMENTARY	SECONDARY
a	TABLE HEIGHT	670	730
b	TABLE LENGTH	600	600
c	TABLE WIDTH	400	400

 REPUBLIC OF THE PHILIPPINES DepED DEPARTMENT OF EDUCATION EDUCATION FACILITIES DIVISION MERRILL AVENUE, PASIG CITY	DRAWN BY: ARCHITECT	RECOMMENDING APPROVAL: ENGR. MARIBEL LEGASPI ANGAN CHIEF - EDUCATION FACILITIES DIVISION	APPROVED BY: EPIMACO V. OBISPO, III Undersecretary for School Infrastructures and Facilities	CONCURRED BY: GINA O. GUINONG Undersecretary for Curriculum and Teaching	PROJECT TITLE: LEARNER'S TABLE (WOOD & STEEL)	SHEET CONTENTS: TECHNICAL SPECIFICATION SCHEDULE OF FINISHES EDGING APPLICATION DIMENSIONS ISOMETRIC VIEW	SHEET NO: 1 3
---	------------------------	--	--	--	--	--	---------------------

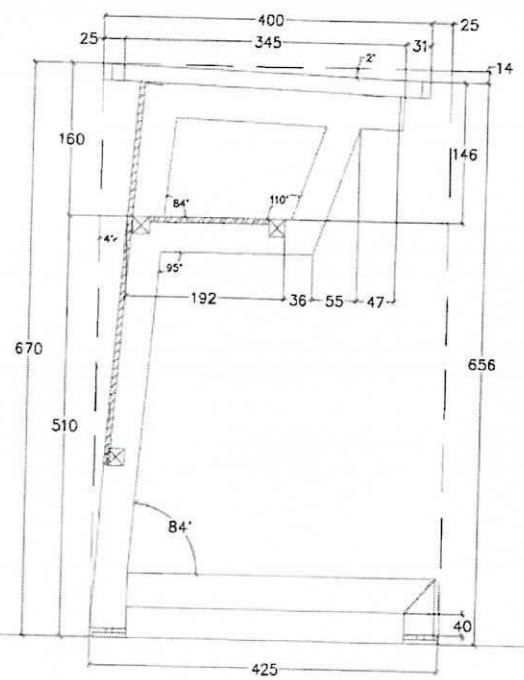
DEPED ELEMENTARY SINGLE LEARNER'S TABLE



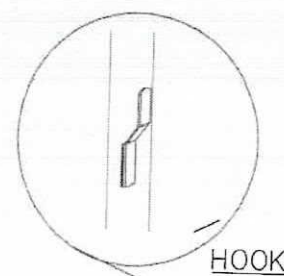
TOP VIEW



FRONT VIEW



SIDE SECTION VIEW



HOOK

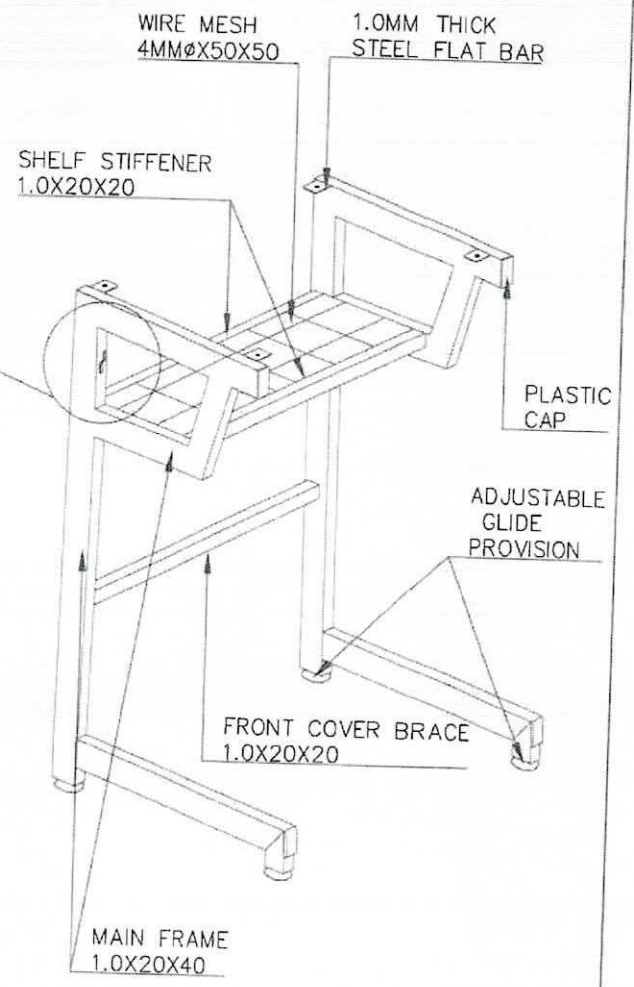
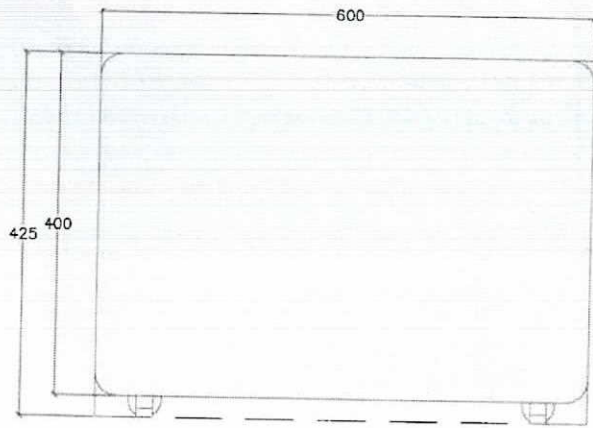


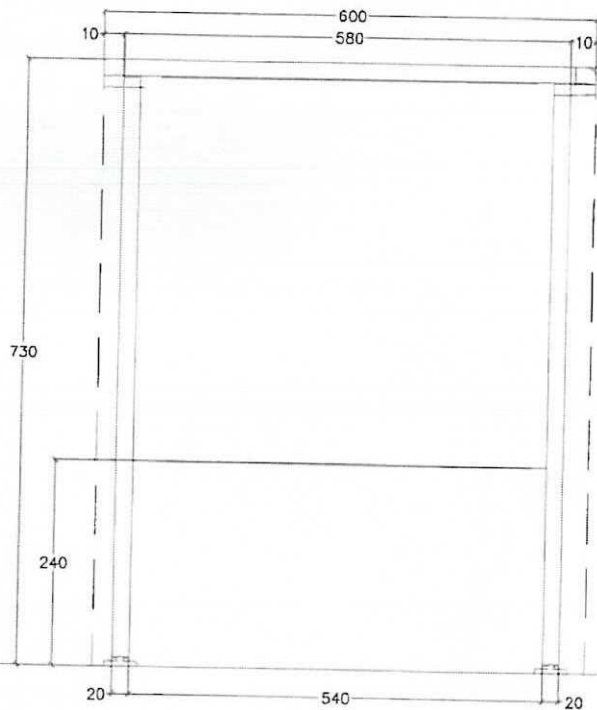
TABLE FRAMING PERSPECTIVE VIEW

<p>REPUBLIC OF THE PHILIPPINES DepED DEPARTMENT OF EDUCATION EDUCATION FACILITIES DIVISION MERRILL RIVER, PASIG CITY</p>	<p>DESIGN BY <i>[Signature]</i> DR. RAYMOND G. ALABARD ARCHITECT</p>	<p>RECOMMENDING APPROVAL <i>[Signature]</i> ENGR. ANGELO B. ANGAN CHIEF, EDUCATION FACILITIES DIVISION</p>	<p>APPROVED BY <i>[Signature]</i> ENGR. EDUARDO M. LAYAN III Undersecretary for School Infrastructure and Facilities</p>	<p>CONCURRED BY <i>[Signature]</i> DR. D. GARCIA Undersecretary for Curriculum Development</p>	<p>PROJECT TITLE LEARNER'S TABLE (WOOD & STEEL)</p>	<p>SHEET CONTENTS TOP VIEW FRONT VIEW SIDE SECTION VIEW FRAMING PERSPECTIVE VIEW</p>	<p>SHEET NO. 2 3</p>

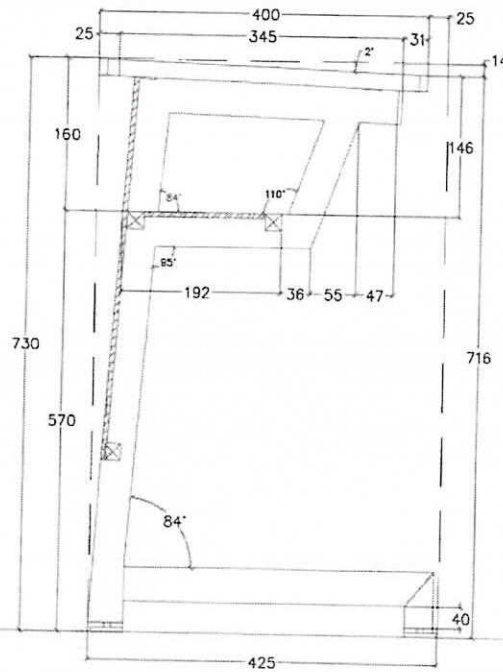
DEPED SECONDARY SINGLE LEARNER'S TABLE



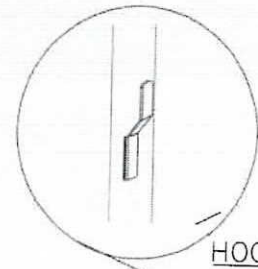
TOP VIEW



FRONT VIEW



SIDE SECTION VIEW



HOOK

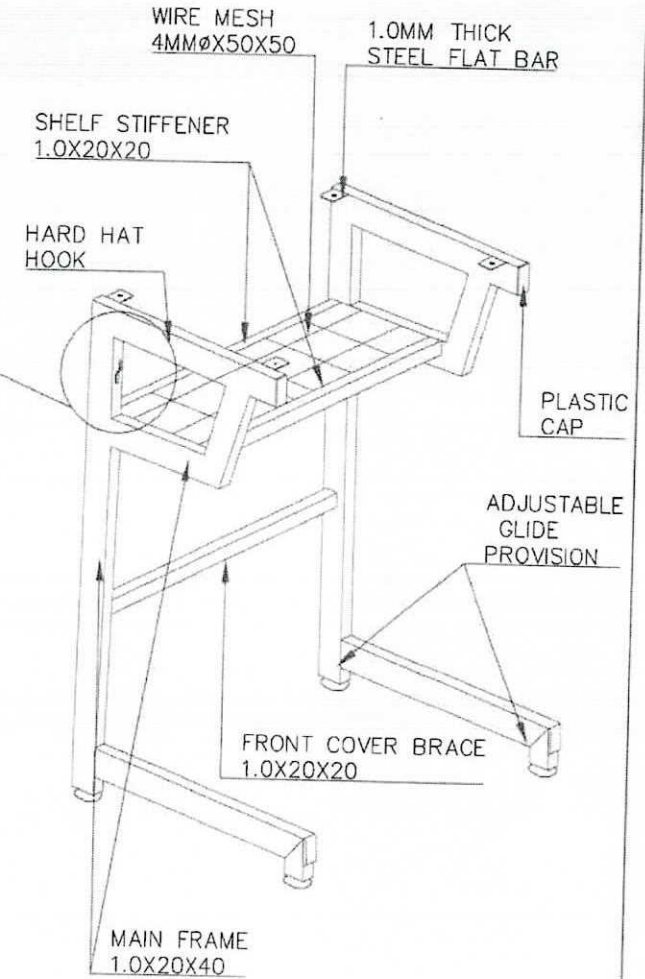

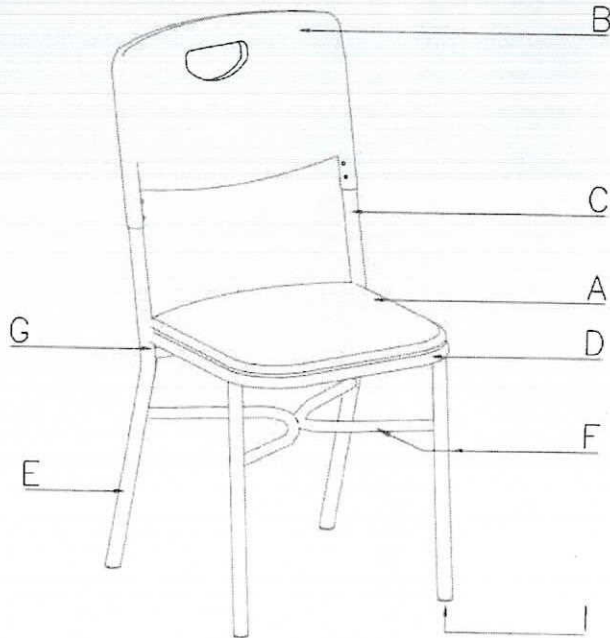


TABLE FRAMING PERSPECTIVE VIEW

 <p>REPUBLIC OF THE PHILIPPINES DepED DEPARTMENT OF EDUCATION EDUCATION FACILITIES DIVISION HIGUALO AVENUE, PASIG CITY</p>	<p>DESIGN BY : <i>[Signature]</i> JEFFREY G. ALABASTO ARCHITECT</p>	<p>RECOMMENDING APPROVAL : <i>[Signature]</i> ENGR. ANABELLE R. BRISAN CHIEF - EDUCATION FACILITIES DIVISION</p>	<p>APPROVED BY : <i>[Signature]</i> EPIMACO V. DENISING III Undersecretary for School Infrastructure and Facilities</p>	<p>CONCURRED BY : <i>[Signature]</i> GINA S. GONZALES Undersecretary for Curriculum and Teaching</p>	<p>PROJECT TITLE : LEARNER'S TABLE (WOOD & STEEL)</p>	<p>SHEET CONTENTS</p> <table border="1"> <tr> <td>TOP VIEW</td> <td rowspan="3">3</td> </tr> <tr> <td>FRONT VIEW</td> </tr> <tr> <td>SIDE SECTION VIEW FRAMING PERSPECTIVE VIEW</td> </tr> </table>	TOP VIEW	3	FRONT VIEW	SIDE SECTION VIEW FRAMING PERSPECTIVE VIEW	<p>SHEET NO.:</p> <table border="1"> <tr> <td>3</td> </tr> <tr> <td>3</td> </tr> </table>	3	3
	TOP VIEW	3											
FRONT VIEW													
SIDE SECTION VIEW FRAMING PERSPECTIVE VIEW													
3													
3													



1 ISOMETRIC VIEW OF LEARNER'S CHAIR
1 SCALE

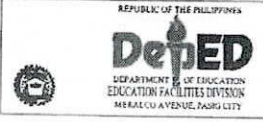
DIMENSIONS OF LEARNER'S CHAIR (mm)
(TOLERANCE ± 10mm)

COMPONENTS	DIMENSIONS	
	ELEMENTARY	SECONDARY
SEAT HEIGHT	390	430
SEAT DEPTH	380	380
SEAT WIDTH	370	370
BACK REST HEIGHT	700	800
BACK REST WIDTH	410	410

1 TECHNICAL SPECIFICATIONS OF LEARNER'S CHAIR		
MARK	COMPONENTS	SPECIFICATIONS
A	SEAT	BLOW MOLDED PLASTIC HIGH-DENSITY POLYETHYLENE (HDPE)
B	BACKREST	BLOW MOLDED PLASTIC HIGH-DENSITY POLYETHYLENE (HDPE)
C	BACK SUPPORT	BI PIPE TUBE 1.0MMX22MMØ
D	SEAT SUPPORT	BI PIPE TUBE 1.0MMX19MMØ
E	BACK LEG	BI PIPE TUBE 1.0MMX22MMØ
F	FRONT LEG/BRACE	BI PIPE TUBE 1.0MMX22MMØ
G	LOWER SEAT SUPPORT	BI PIPE TUBE 1.0MMX19MMØ
I	COVER CAP	PLASTIC GLIDE
	<u>HDPE TO STEEL:</u>	BACK HDPE TO STEEL - SELF TAPPING SCREW/RIVET
		SEAT HDPE TO STEEL - 1MM THK 25MMX30MM FLAT BAR, M6X12

SCHEDULE OF FINISHES

SEAT PANEL BACKREST	HIGH-DENSITY POLYETHYLENE (HDPE) PLASTIC (BLOW MOLDED)
METAL/STEEL TUBULAR	POWDER COATED (BLACK); SMOOTH, GLOSSY FINISH
HDPE COLOR	REFER TO COLOR CODE PANTONE 4665C OR COLOR HEX: #cda788 / RGB: 205, 167, 136 / CMYK: 0%, 19%, 34%, 20%



DRAWN BY:
[Signature]
JIT RAYMOND G. ALABISO
ARCHITECT

RECOMMENDING APPROVAL:
[Signature]
ENGR. ANNABELLY R. BANGSA
CHIEF - EDUCATION FACILITIES DIVISION

APPROVED BY:
[Signature]
EFIMACO V. DEVSING III
Undersecretary for School Infrastructure and Facilities

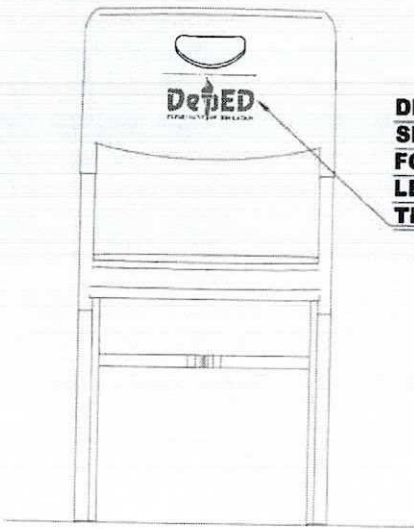
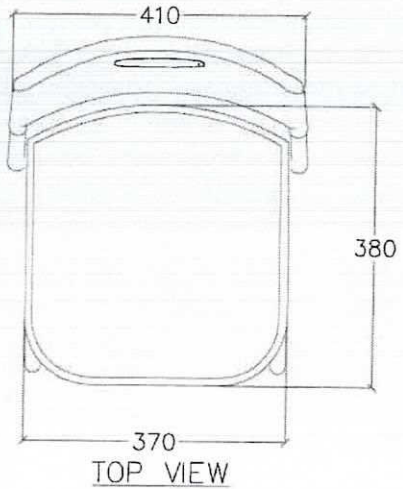
CONCURRED BY:
[Signature]
LINDA L. BONGONO
Undersecretary for Curriculum and Teaching

PROJECT TITLE:
LEARNER'S CHAIR
(HDPE & STEEL)

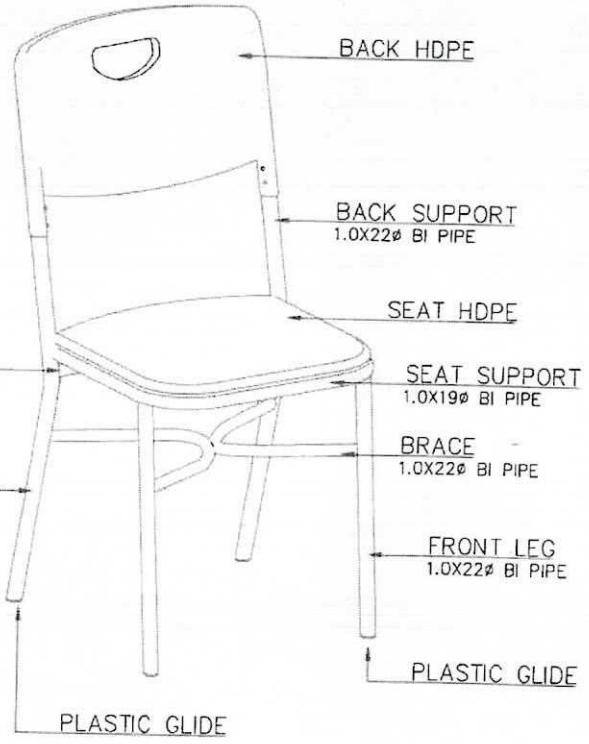
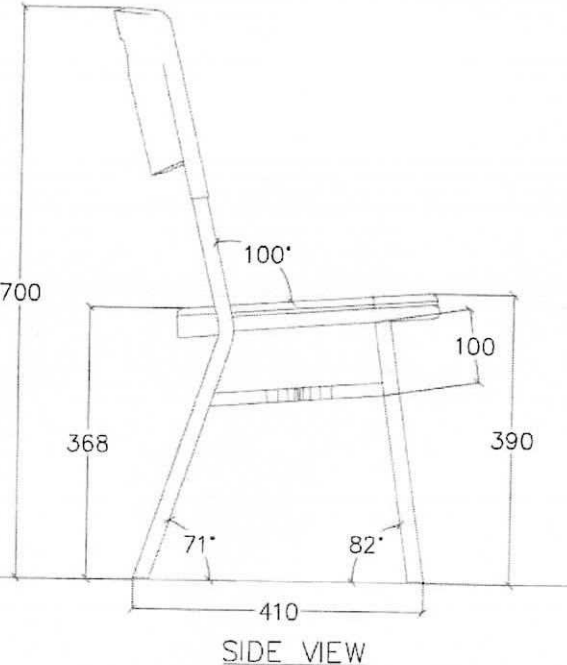
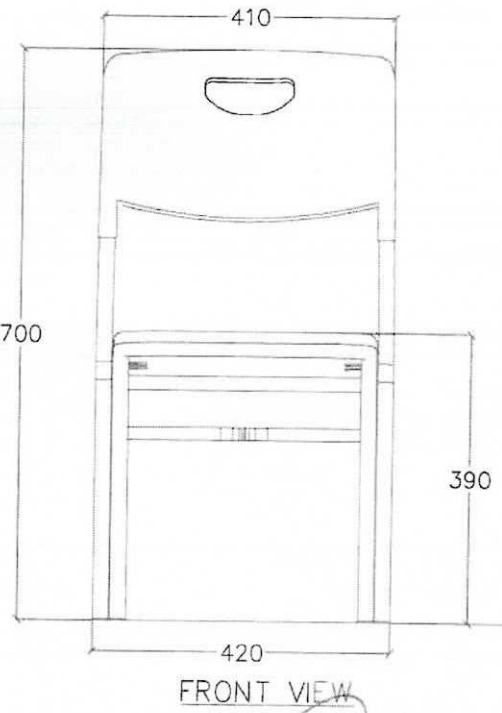
SHEET CONTENTS
TECHNICAL SPECIFICATION
SCHEDULE OF FINISHES
EDGING APPLICATION
DIMENSIONS
ISOMETRIC VIEW

SHEET NO.
1
5

DEPED ELEMENTARY LEARNER'S CHAIR



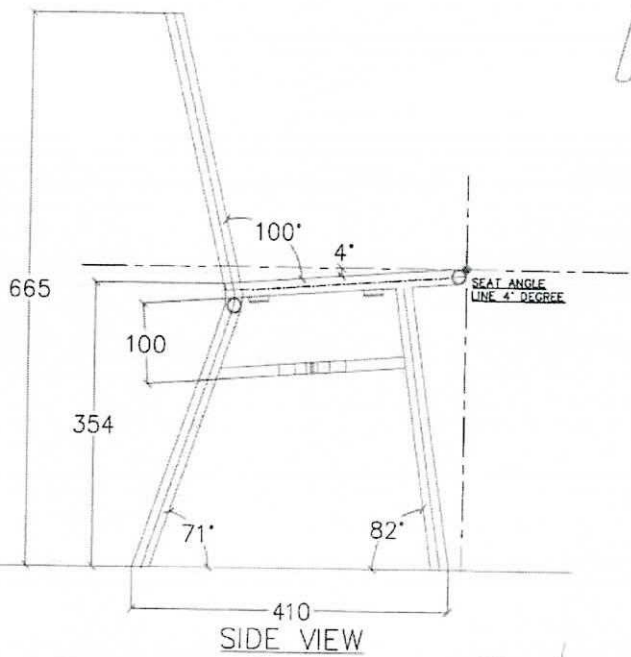
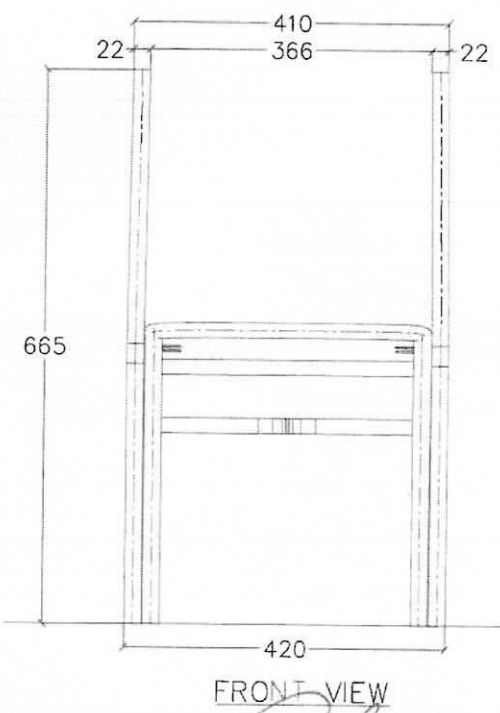
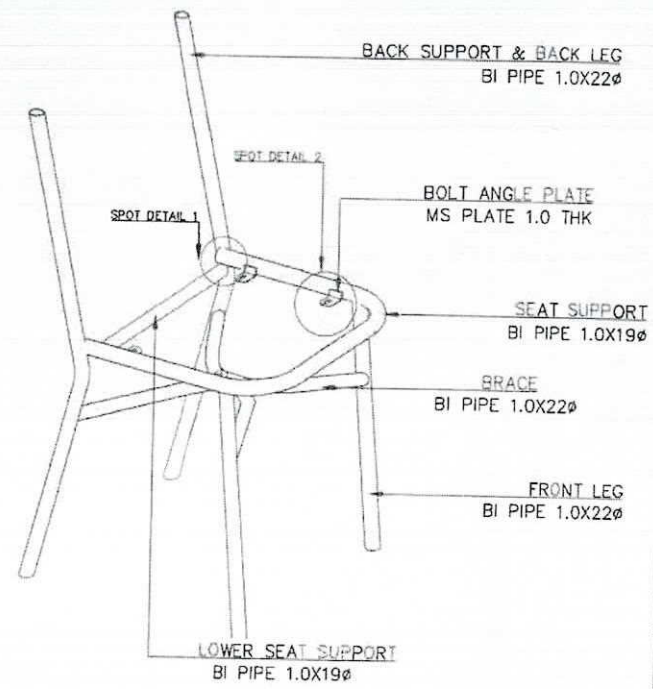
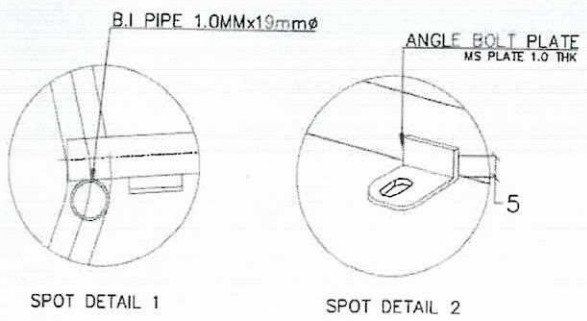
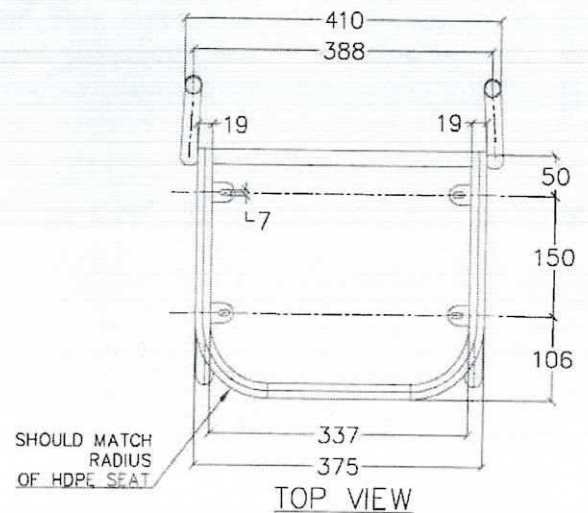
DEPED LOGO SPECIFICATIONS FOR ALL LEARNER AND TEACHER'S CHAIR



LEARNER'S CHAIR PERSPECTIVE VIEW

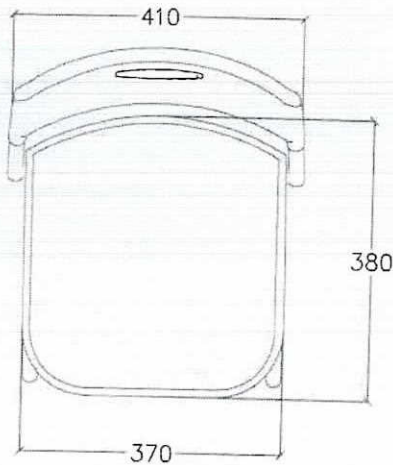
<p>REPUBLIC OF THE PHILIPPINES DepED DEPARTMENT OF EDUCATION EDUCATION FACILITIES DIVISION MERRALL AVENUE, PASIG CITY</p>	<p>DESIGNED BY:</p> <p>RAYMOND C. ALARICO ARCHITECT</p>	<p>RECOMMENDING APPROVAL:</p> <p>ENGR. ANABELLE R. PAMBICO CHIEF - EDUCATION FACILITIES DIVISION</p>	<p>APPROVED BY:</p> <p>EPIMACO Y. DENING Undersecretary for School Infrastructure and Facilities</p>	<p>CONCURRED BY:</p> <p>GINA O. GIRON Undersecretary for Curriculum and Teaching</p>	<p>PROJECT TITLE</p> <p>LEARNER'S CHAIR (HDPE & STEEL)</p>	<p>SHEET CONTENTS</p> <p>ELEMENTARY LEARNER'S CHAIR: - PERSPECTIVE VIEW - TOP VIEW - REAR VIEW - FRONT VIEW - SIDE VIEW</p>	<p>SHEET NO.</p> <p>2 5</p>
--	---	--	--	--	---	---	---------------------------------

DEPED ELEMENTARY LEARNER'S CHAIR

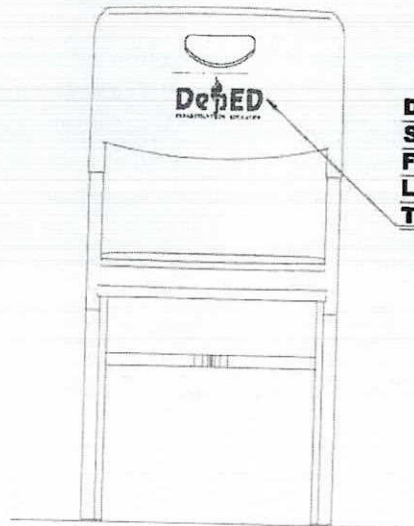


<p>REPUBLIC OF THE PHILIPPINES DepED DEPARTMENT OF EDUCATION EDUCATION FACILITIES DIVISION MARALTO AVENUE, PASIG CITY</p>	<p>DESIGNED BY: <i>[Signature]</i> ENGR. RAYMOND G. ALABASO ARCHITECT</p>	<p>RECOMMENDING APPROVAL: <i>[Signature]</i> ENGR. ANNE LEE P. ANTON CHIEF - EDUCATION FACILITIES DIVISION</p>	<p>APPROVED BY: <i>[Signature]</i> ENR. O. Y. DENISING III Undersecretary for School Infrastructure and Facilities</p>	<p>CONCURRED BY: <i>[Signature]</i> ENR. G. GONONG Undersecretary for Curriculum and Learning</p>	<p>PROJECT TITLE: LEARNER'S CHAIR (HDPE & STEEL)</p>	<p>SHEET CONTENTS: ELEMENTARY LEARNER'S CHAIR - CHAIR FRAME (TOP, FRONT, SIDE VIEWS) - PERSPECTIVE VIEW - DETAILS</p>	<p>SHEET NO: 3 5</p>
--	---	--	--	---	---	---	------------------------------

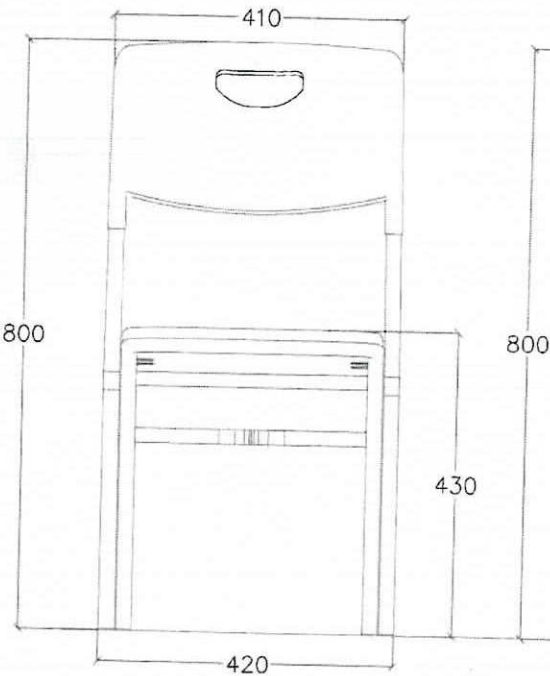
DEPED SECONDARY LEARNER'S CHAIR



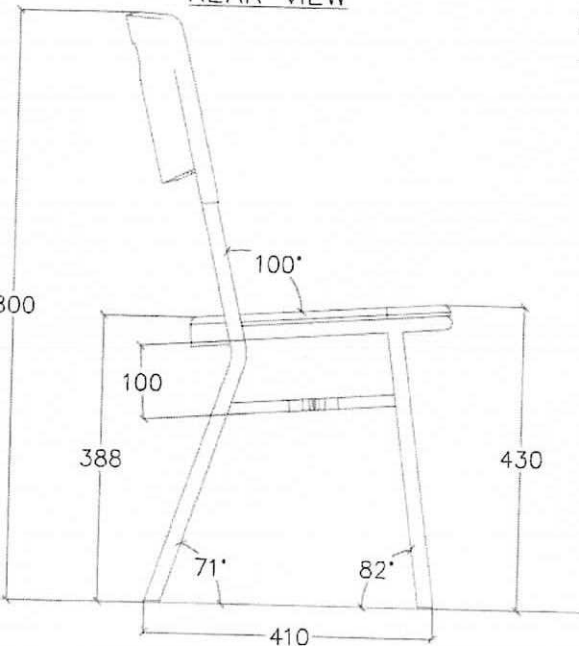
TOP VIEW



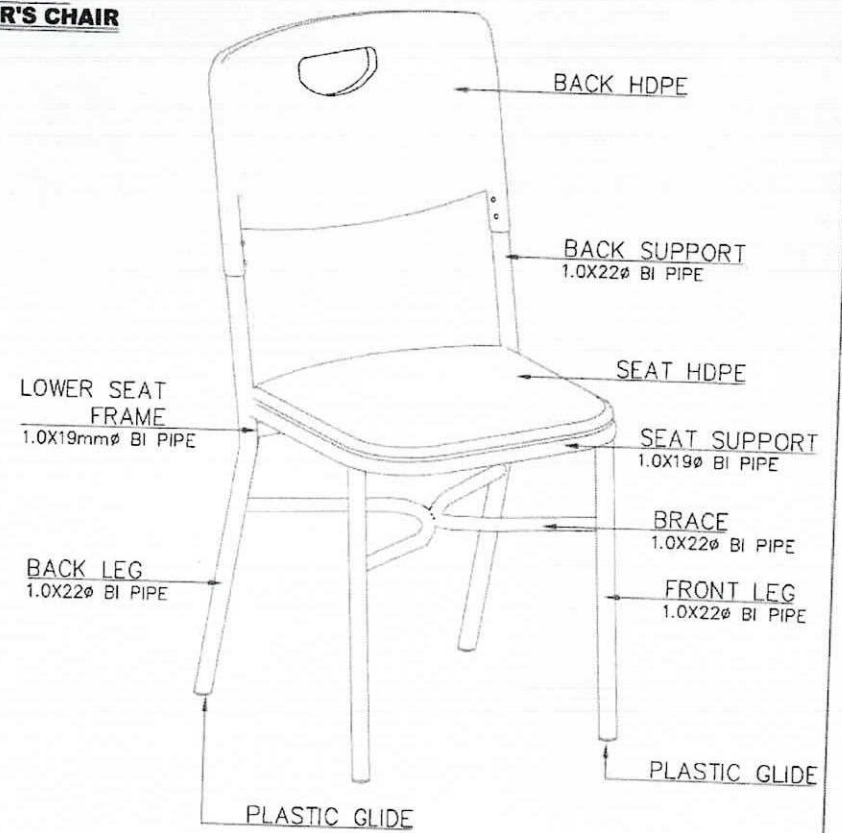
REAR VIEW



FRONT VIEW



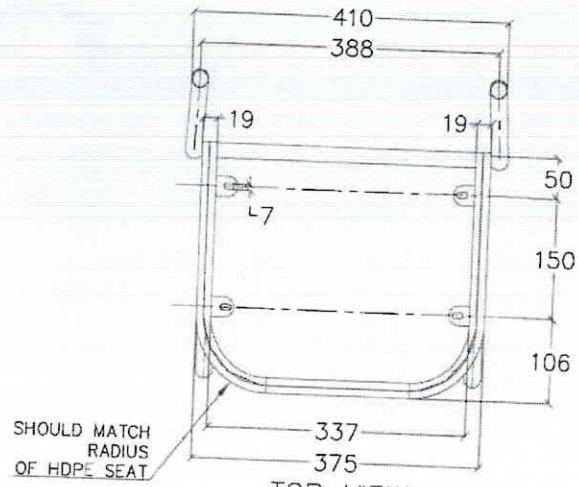
SIDE VIEW



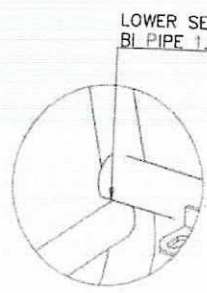
LEARNER'S CHAIR
PERSPECTIVE VIEW

<p>REPUBLIC OF THE PHILIPPINES DepED DEPARTMENT OF EDUCATION EDUCATION FACILITIES DIVISION NORVALA AS ENCL. PAKOD CITY</p>	<p>DRAWN BY: <i>[Signature]</i> JEFFREY M. G. ALBASA ARCHITECT</p>	<p>RECOMMENDING APPROVAL: <i>[Signature]</i> ENGR. APARICIO L. MARIANO CHIEF - EDUCATION FACILITIES DIVISION</p>	<p>APPROVED BY: <i>[Signature]</i> FRANCIS V. DENING III Undersecretary for School Infrastructure and Facilities</p>	<p>CONCURRED BY: <i>[Signature]</i> ENGR. J. B. BERNARDO Undersecretary for Curriculum and Teaching</p>	<p>PROJECT TITLE - LEARNER'S CHAIR (HDPE & STEEL)</p>	<p>SHEET CONTENTS SECONDARY LEARNER'S CHAIR: -PERSPECTIVE VIEW -TOP VIEW -REAR VIEW -FRONT VIEW -SIDE VIEW</p>	<p>SHEET NO: 4 5</p>
---	--	--	--	---	--	--	------------------------------

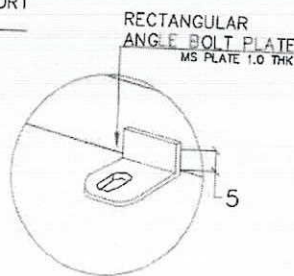
DEPED SECONDARY LEARNER'S CHAIR



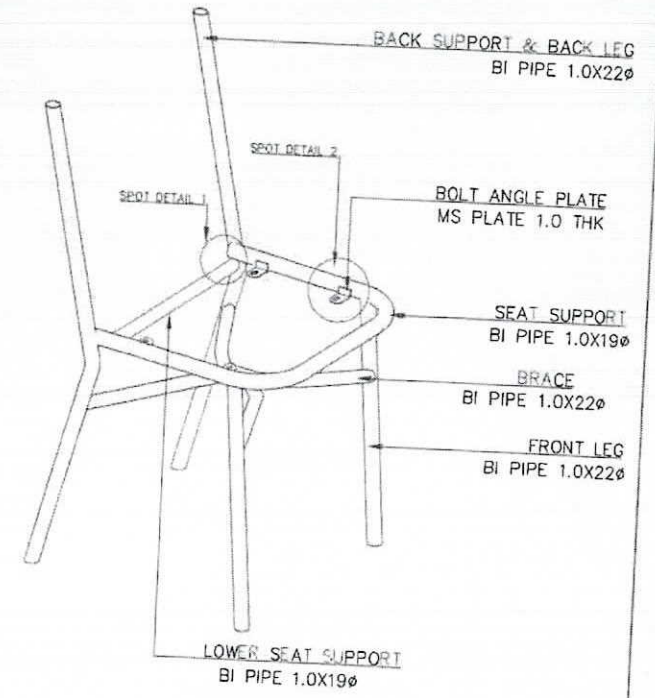
TOP VIEW



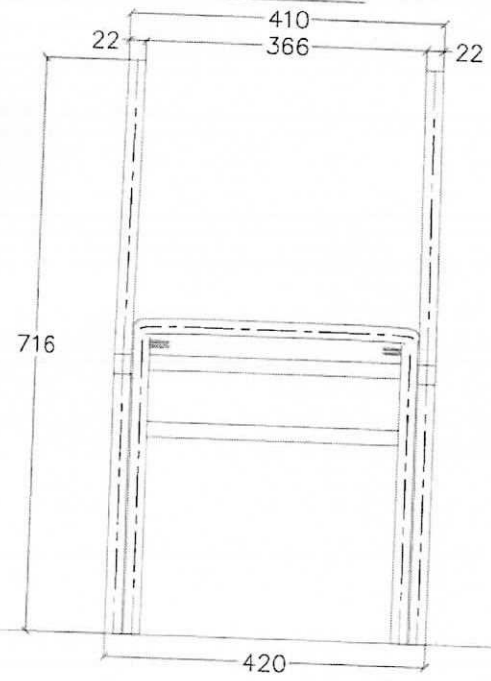
SPOT DETAIL 1



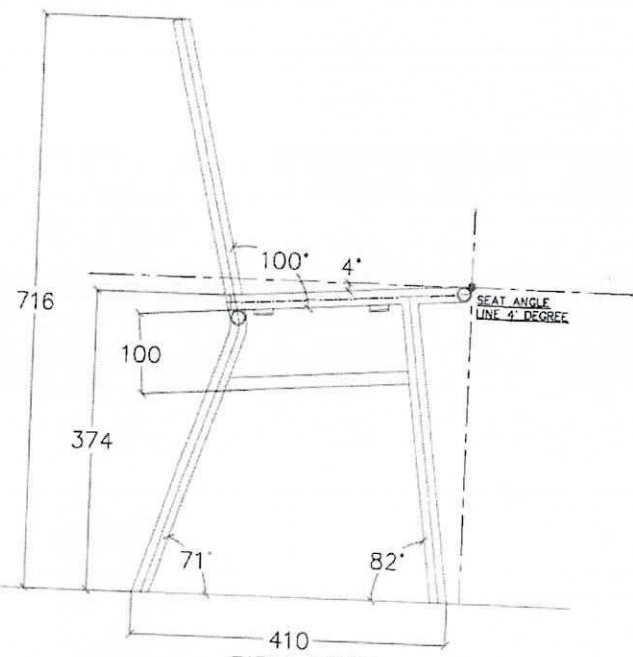
SPOT DETAIL 2



PERSPECTIVE VIEW



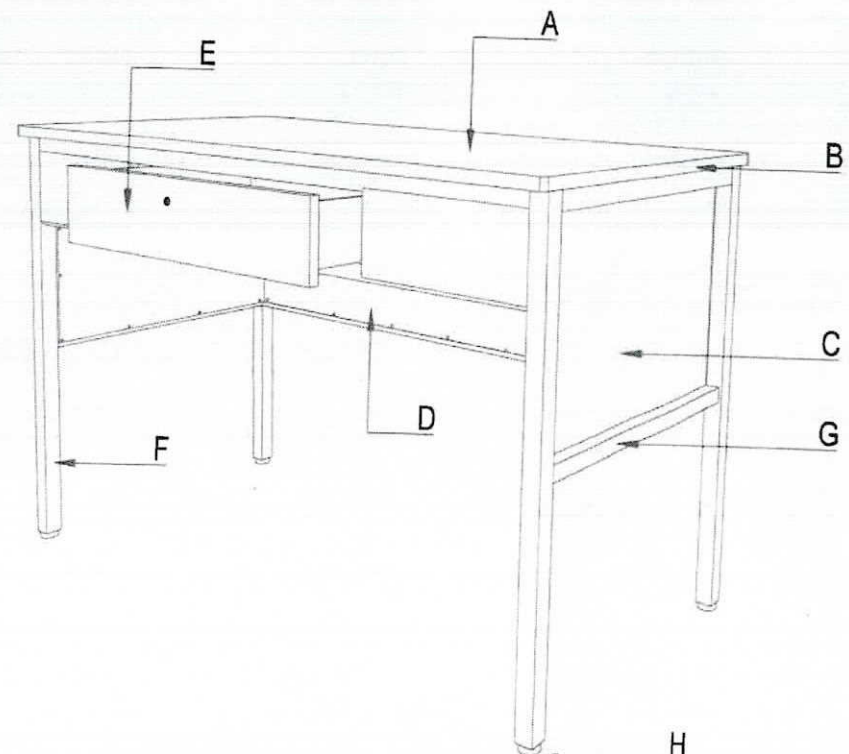
FRONT VIEW



SIDE VIEW

<p>REPUBLIC OF THE PHILIPPINES DepEd DEPARTMENT OF EDUCATION EDUCATIONAL FACILITIES DIVISION MARALCU AVENUE, PASIG CITY</p>	Drawn By: <i>[Signature]</i> MR. RAYMOND G. ALABASO ARCHITECT	RECOMMENDING APPROVAL: <i>[Signature]</i> ENGR. ARNOLD L. LLERENA CHIEF - EDUCATIONAL FACILITIES DIVISION	APPROVED BY: <i>[Signature]</i> MR. MAC J. DENISING III Undersecretary for School Infrastructure and Facilities	CONCURRED BY: <i>[Signature]</i> GINA O. GONONG Undersecretary for Curriculum and Teaching	PROJECT TITLE: LEARNER'S CHAIR (HDPE & STEEL)	SHEET CONTENTS: SECONDARY LEARNER'S CHAIR - CHAIR FRAME (TOP, FRONT, SIDE VIEWS) - PERSPECTIVE VIEW - DETAILS	SHEET NO. 5 5
	DEPED SECONDARY LEARNER'S CHAIR						

1 TECHNICAL SPECIFICATIONS OF TEACHER'S TABLE		
MARK	COMPONENTS	SPECIFICATIONS
A	TABLE TOP	18MM THK TOP BOARD ROUND CORNER'S (1 SIDE 1.0MM THK HIGH PRESSURE LAMINATE /1 SIDE VARNISH FINISHES ON MARINE PLYWOOD)
B	EDGING	2.0MM THICK PVC EDGING
C	SIDE COVER	6.0MM THICK MARINE PLYWOOD W/ HIGH PRESSURE LAMINATE
D	FRONT COVER	6.0MM THICK MARINE PLYWOOD W/ HIGH PRESSURE LAMINATE
E	PULL OUT DRAWER	DRAWER FACE : 1 SIDE 1.0MM THK HIGH PRESSURE LAMINATE / 1 SIDE VARNISH FINISHES ON 18MM THICK MARINE PLYWOOD DRAWER BOX : 12mm THK MARINE PLYWOOD W/ SOLID WOOD EDGING VARNISH FINISHED DRAWER LOCK : 1 LOCK ONLY PER TABLE,
	DRAWER GUIDE	400MM LONG RAIL GUIDE (BALL BEARING TYPE)
F	LEG	1.0MMTHKX30MMX30MM STEEL TUBULAR
G	BRACES	1.0MMTHKX30MMX30MM STEEL TUBULAR
H	ADJUSTABLE LEVELER	8MMØ THREAD WITH 38MMØ PLASTIC BASE
	CONNECTION	STEEL TO STEEL: FULL WELDING WOOD TO STEEL: THREADED NUTS E-TYPE HEX M6 X13mm LENGTH (TABLE TOP) BLIND RIVETS (FRONT COVER / SIDE COVER) WOOD TO WOOD: WOOD GLUE AND FINISHING NAILS

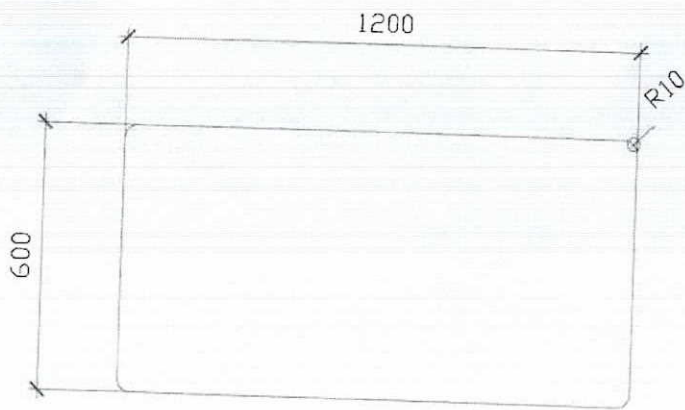


1 ISOMETRIC VIEW OF TEACHER'S TABLE
1 SCALE

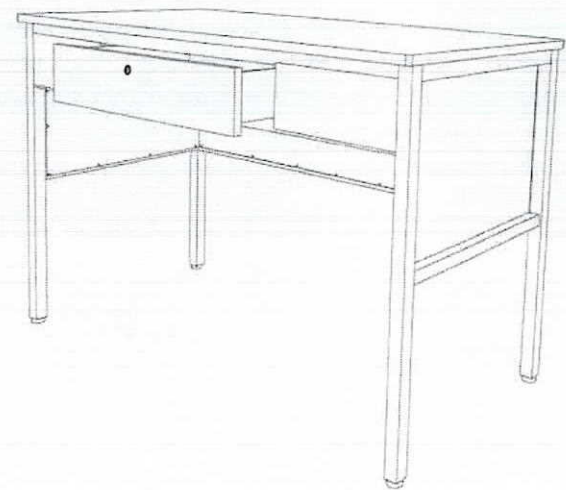
2a SCHEDULE OF FINISHES	
TOP BOARD	18MM THK TOP BOARD ROUND CORNER'S (1 SIDE 1.0MM THK HIGH PRESSURE LAMINATE /1 SIDE VARNISH FINISHES ON MARINE PLYWOOD)
EDGING	2.0MM THICK PVC EDGING
METAL/STEEL TUBULAR	POWDER COATED (BLACK); SMOOTH, GLOSSY FINISH
LAMINATE COLOR	PANTONE 729C OR COLOR HEX #ba7c45 / RGB 186, 124, 69 / CMYK 0%, 33%, 63%, 27% WITH WOOD GRAIN (SERANO BEECH OR EQUIVALENT)

3 DIMENSIONS OF TEACHER'S TABLE (mm) (TOLERANCE ± 10mm)		
MARK	COMPONENTS	DIMENSIONS
a	TABLE HEIGHT	750
b	TABLE LENGTH	1200
c	TABLE WIDTH	600

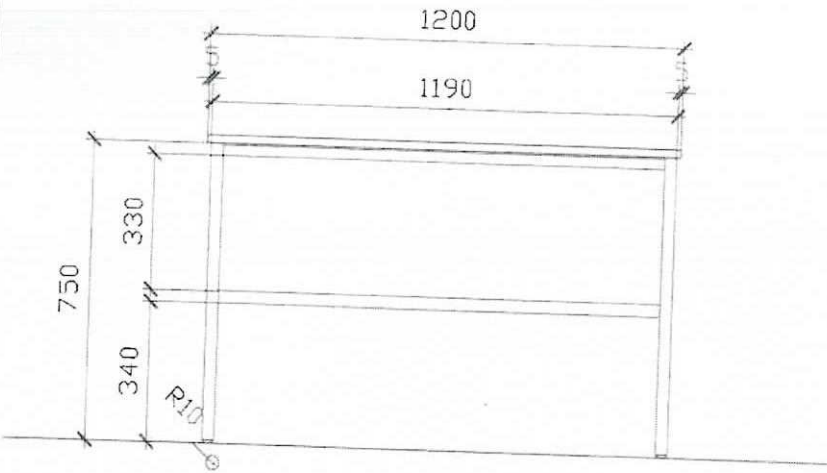
 DEPARTMENT OF EDUCATION EDUCATION FACILITIES DIVISION 1000 ALEXANDER DRIVE, PASAY CITY	DRAWN BY: RAYMOND C. ALARIDO ARCHITECT	RECOMMENDING APPROVAL: ENGR. ANNABELLE R. PAPAN CHIEF - EDUCATION FACILITIES DIVISION	APPROVED BY: EPIMACO A. MENSUNG III Undersecretary for School Infrastructure and Facilities	CONCURRED BY: GINA O. GOMONG Undersecretary for Curriculum and Teaching	PROJECT TITLE: TEACHER'S TABLE (WOOD & STEEL)	SHEET CONTENTS: TECHNICAL SPECIFICATION SCHEDULE OF FINISHES EDGING APPLICATION DIMENSIONS ISOMETRIC VIEW	SHEET NO: 1 5
--	--	---	---	---	---	--	---------------------



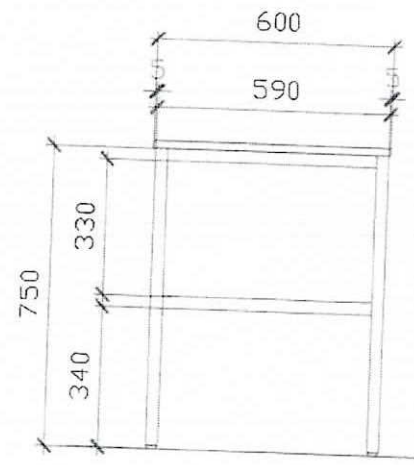
PLAN



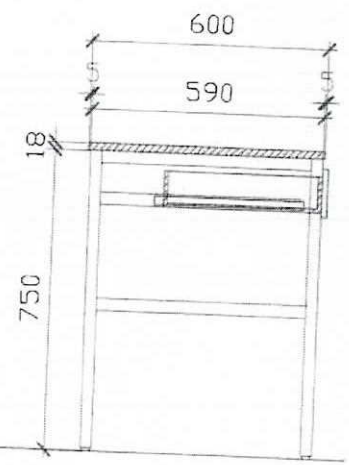
PERSPECTIVE



FRONT ELEV.



RIGHT SIDE ELEVATION



SECTION



DRAWN BY: *[Signature]*
 LT RAYMOND G. A. BASSO
 ARCHITECT

RECOMMENDING APPROVAL: *[Signature]*
 ENGR. ANABELLE
 CHIEF, EDUCATION FACILITIES DIVISION

APPROVED BY: *[Signature]*
 ENGR. IMACIO V. DENISING II
 Undersecretary for School Infrastructure and Facilities

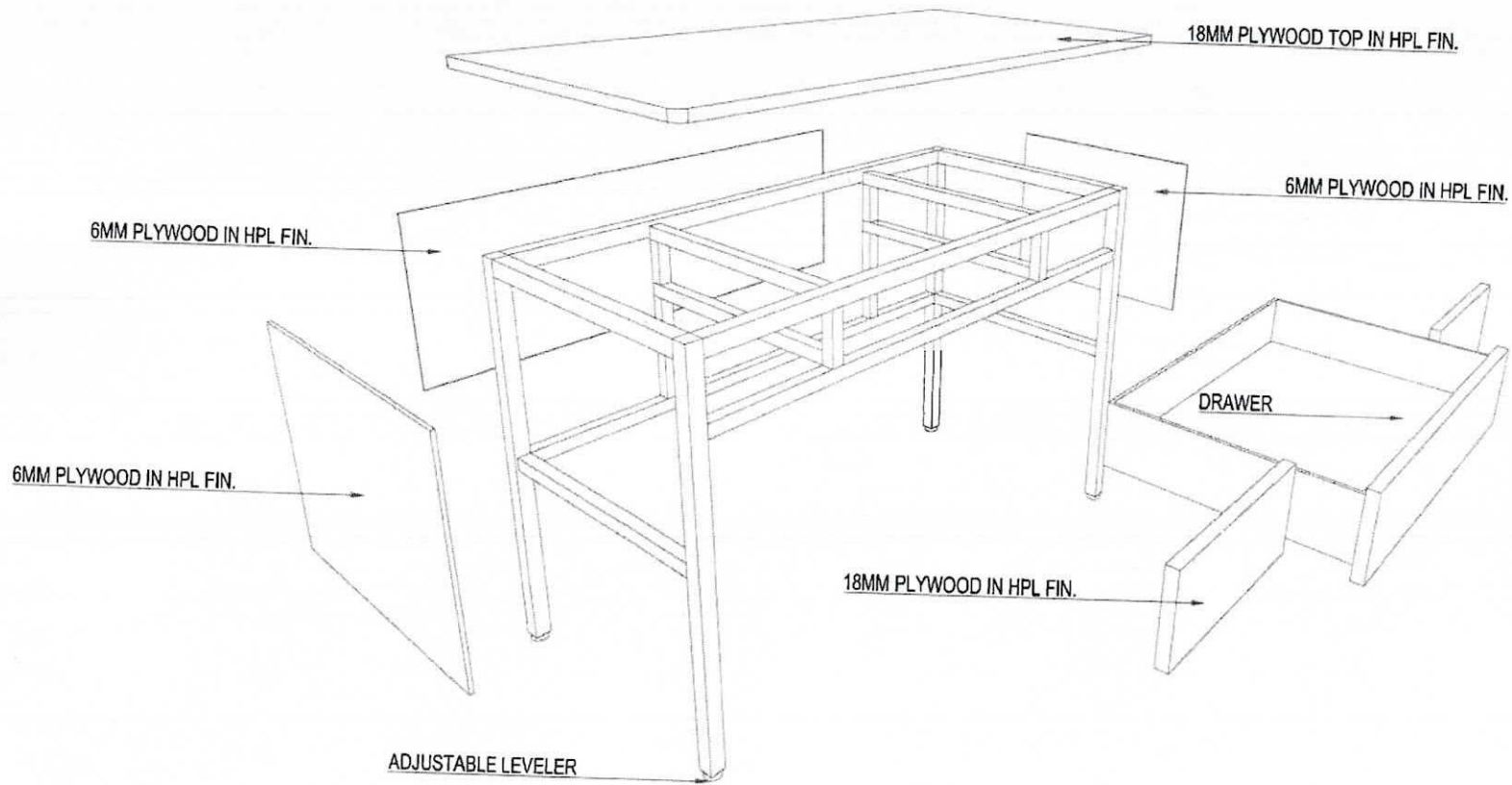
CONCURRED BY: *[Signature]*
 GINA O. GORONG
 Undersecretary for Curriculum and Teaching

PROJECT TITLE: TEACHER'S TABLE (WOOD & STEEL)


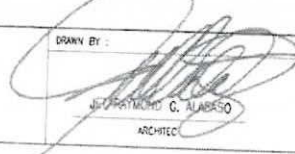
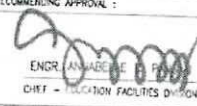
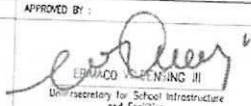
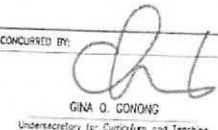
SHEET CONTENTS: PLAN, PERSPECTIVE, FRONT ELEVATION, SECTION

SHEET NO: 2 / 5

TEACHER'S TABLE



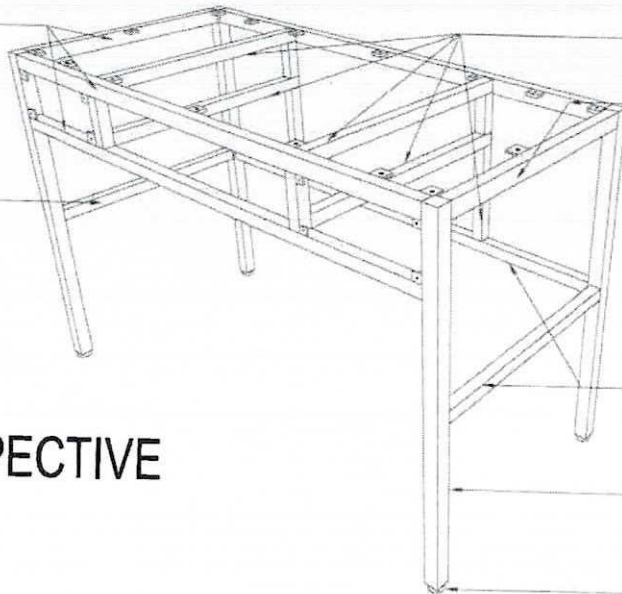
EXPLODED VIEW

 <p>REPUBLIC OF THE PHILIPPINES DepED DEPARTMENT OF EDUCATION EDUCATION FACILITIES DIVISION METALLIC FINISH, FINISH & STY</p>	DRAWN BY:  RAYMOND C. ALABASO ARCHITECT	RECOMMENDING APPROVAL:  ENGR. ANABELLE B. PARDO CHIEF - EDUCATION FACILITIES DIVISION	APPROVED BY:  EDMUNDO A. BENING III Undersecretary for School Infrastructure and Facilities	CONCURRED BY:  GINA O. GOWING Undersecretary for Curriculum and Teaching	PROJECT TITLE TEACHER'S TABLE (WOOD & STEEL)	SHEET CONTENTS TEACHER'S TABLE EXPLODED VIEW	SHEET NO. 3 5
--	---	---	--	--	--	---	---------------------

METAL FRAMING DETAIL

30X30X1MM TUBULAR
IN BLACK POWDER
COAT FIN.

30X30X1MM TUBULAR
IN BLACK POWDER
COAT FIN.



30X30X1MM TUBULAR
IN BLACK POWDER
COAT FIN.

30X30X1MM TUBULAR
IN BLACK POWDER
COAT FIN.

30X30X1MM TUBULAR
IN BLACK POWDER
COAT FIN.

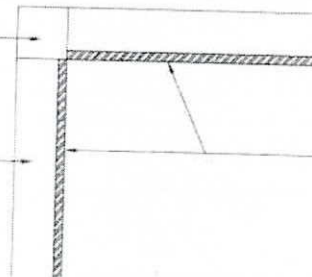
30X30X1MM TUBULAR
POST IN BLACK POWDER
COAT FIN.

ADJUSTABLE
GLIDES

PERSPECTIVE

30X30X1MM TUBULAR
POST IN BLACK POWDER
COAT FIN.

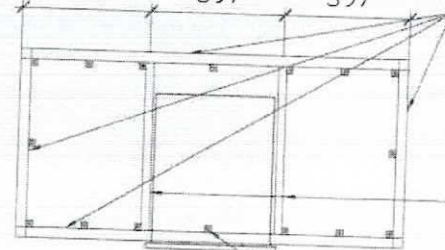
30X30X1MM TUBULAR
BRACE IN BLACK POWDER
COAT FIN.



6MM PLYWOOD IN HPL FIN.

TOP VIEW SECTION

397 397 397

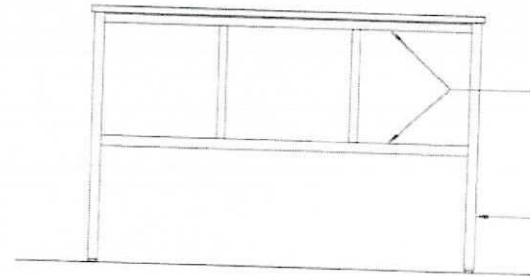


30X30X1MM TUBULAR
BRACE IN BLACK POWDER
COAT FIN.

30X30X1MM TUBULAR
IN BLACK POWDER
COAT FIN.

TOP

25mmX50mmX1MM THK.
POWDER COATED STEEL
FLAT BAR

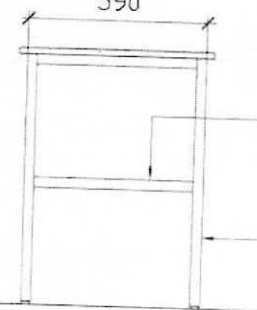


30X30X1MM TUBULAR
IN BLACK POWDER
COAT FIN.

30X30X1MM TUBULAR
POST IN BLACK POWDER
COAT FIN.

FRONT

590



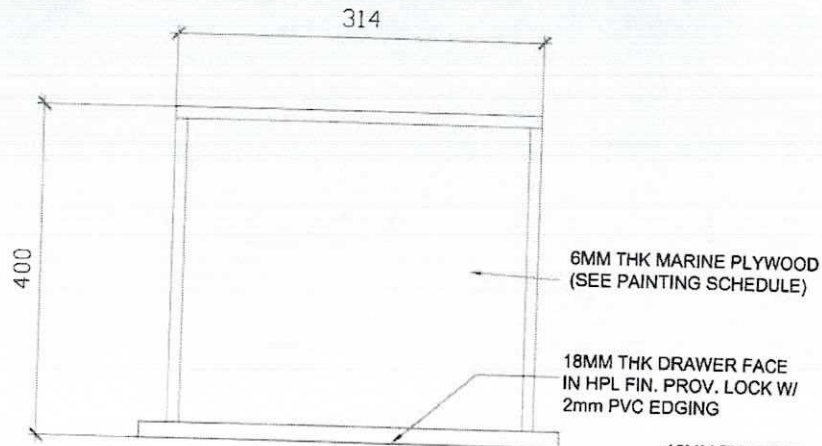
30X30X1MM TUBULAR
IN BLACK POWDER
COAT FIN.

30X30X1MM TUBULAR
POST IN BLACK POWDER
COAT FIN.

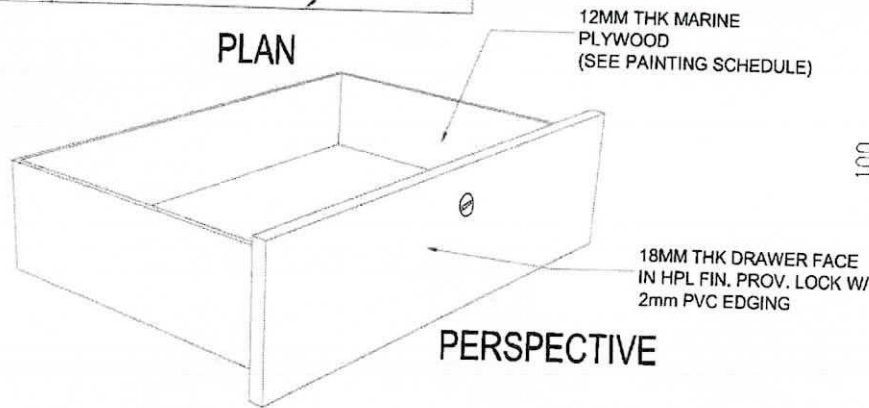
SIDE VIEW

<p>REPUBLIC OF THE PHILIPPINES DepED DEPARTMENT OF EDUCATION EDUCATION FACILITIES DIVISION HERALDO AVENUE, PANGLOSS</p>	<p>DRAWN BY:</p> <p>JET RAYMOND G. ALARICO ARCHITECT</p>	<p>RECOMMENDING APPROVAL:</p> <p>ENGR. ANNABELLE S. ESPINOZA CH-ET - EDUCATION FACILITIES DIVISION</p>	<p>APPROVED BY:</p> <p>ENGR. ARNEL S. DELA CRUZ III Undersecretary for School Infrastructure and Facilities</p>	<p>CONCURRED BY:</p> <p>GINA O. GONDONG Undersecretary for Curriculum and Teaching</p>	<p>PROJECT TITLE:</p> <p>TEACHER'S TABLE (WOOD & STEEL)</p>	<p>SHEET CONTENTS</p> <p>METAL FRAMING PERSPECTIVE</p>	<p>SHEET NO.</p> <p>4</p> <p>5</p>
--	--	--	---	--	---	--	------------------------------------

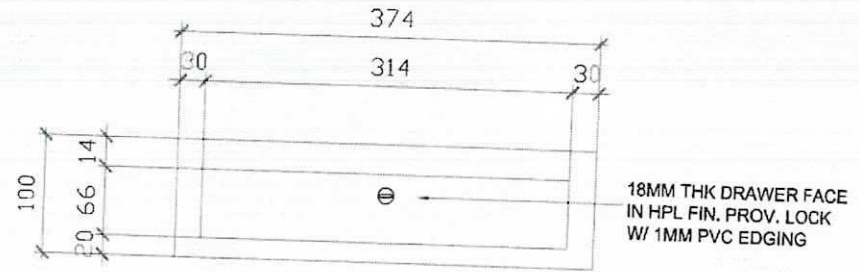
METAL CENTRAL DRAWER DETAIL



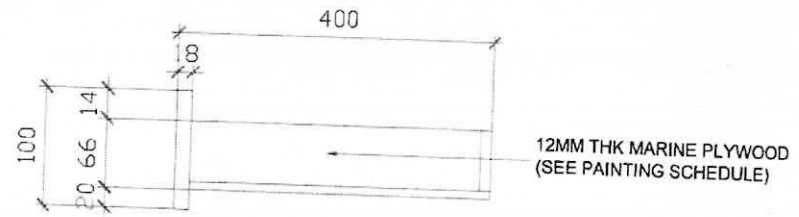
PLAN



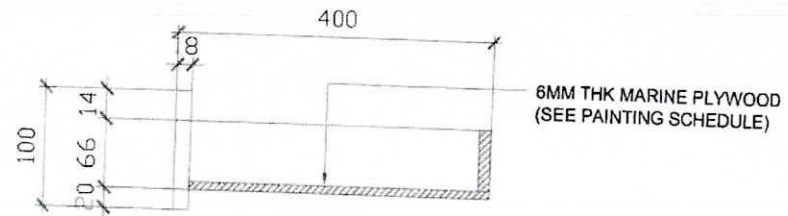
PERSPECTIVE



FRONT ELEV.



RIGHT SIDE VIEW

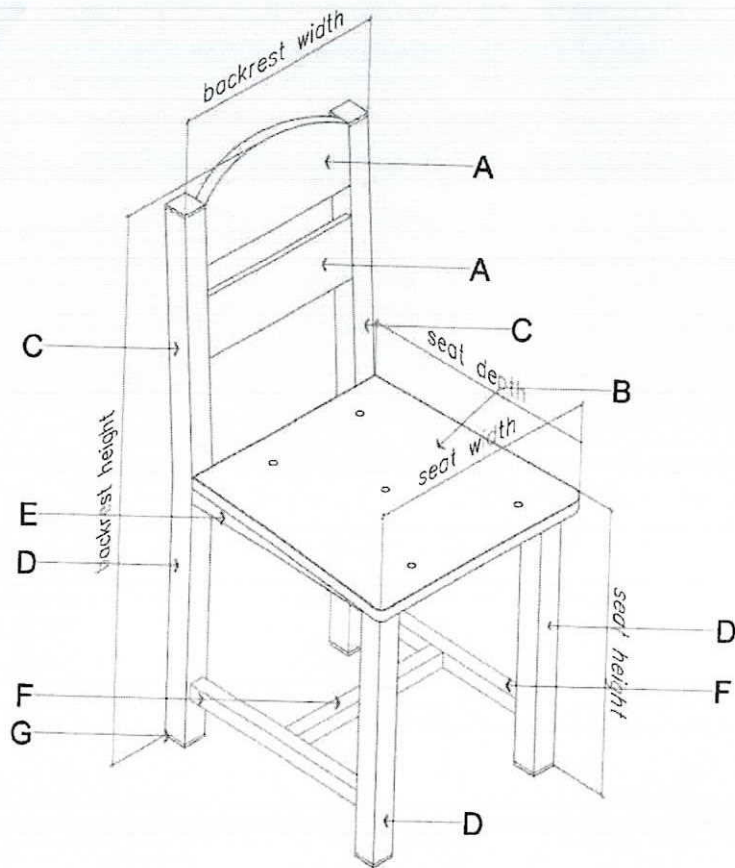


SECTION

PAINTING SCHEDULE

PAINTING SCHEDULE	
SANDING	ALL SURFACE TO BE COATED SHALL BE SMOOTHLY SANDED
1ST COAT	OIL WOOD STAIN - WHITE OAK FULL COLOR
INTERMEDIATE COAT	LACQUER SANDING SEALER
TOP COAT	CLEAR GLOSS LACQUER (2 COATS)

<p>REPUBLIC OF THE PHILIPPINES DEPARTMENT OF EDUCATION OPERATIONAL FACILITIES DIVISION HERALDO A. VERA, JR. PASIG CITY</p>	DRAWN BY: RAYMOND G. ACASAS ARCHITECT	RECOMMENDING APPROVAL: ENGR. RAYMOND G. ACASAS CHIEF - EDUCATION FACILITIES DIVISION	APPROVED BY: RAMON B. MENDEZ III Undersecretary for School Infrastructure and Facilities	CONCURRED BY: GINA O. GORONG Undersecretary for Curriculum and Teaching	PROJECT TITLE: TEACHER'S TABLE (WOOD & STEEL)	SHEET CONTENTS: METAL DRAWER DETAIL -FRONT ELEVATION -SECTION -EXPLODED VIEW -PERSPECTIVE	SHEET NO.: 5 5
---	---	--	--	---	---	--	----------------------



1 ISOMETRIC- TEACHER'S CHAIR
1 SCALE - M

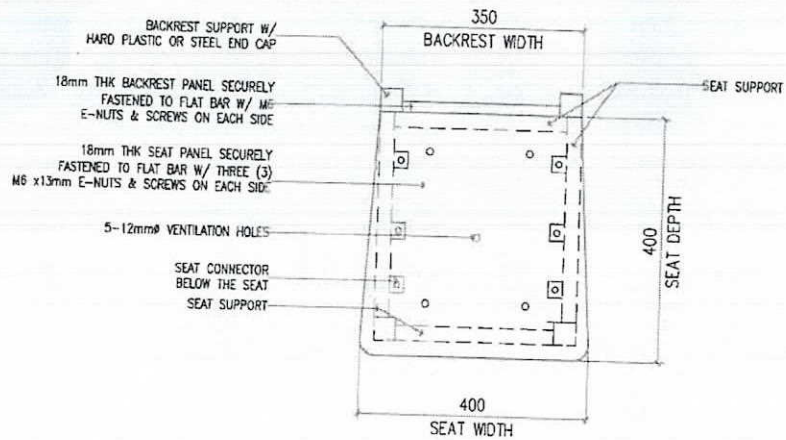
NOTES:
WOOD GLUE SHALL BE APPLIED BEFORE INSERTING E-NUT INTO THE PLYWOOD
CORNERS OF BACKREST & SEAT PANELS MUST BE ROUNDED

1 TECHNICAL SPECIFICATIONS OF TEACHER'S CHAIR		
MARK	COMPONENT	SPECIFICATIONS
A	BACKREST	18mm THK BACKREST PANEL (0.9mm THK HIGH PRESSURE LAMINATE ON MARINE PLYWOOD) W/ PVC EDGING
B	SEAT	18mm THK SEAT PANEL (0.9mm THK HIGH PRESSURE LAMINATE ON MARINE PLYWOOD) W/ PVC EDGING & 5 VENT HOLES (12mm ϕ)
C	BACKREST SUPPORT	0.8mm THK x 30mm x 30mm STEEL TUBULAR
D	LEG	0.8mm THK x 30mm x 30mm STEEL TUBULAR
E	SEAT SUPPORT	1mm THK x 30mm x 30mm STEEL TUBULAR
F	LEG BRACE	1mm THK x 30mm x 30mm STEEL TUBULAR
G	FOOTING	HARD PLASTIC (BLACK)
	EDGING	PVC EDGING
	CONNECTION	
	WOOD TO STEEL	1mm THK x 25mm x 75mm FLAT BAR (FOR BACKREST - 1) 1mm THK x 25mm x 50mm FLAT BAR (FOR BACKREST - 2) 1mm THK x 25mm x 50mm FLAT BAR (SEAT) M6 x13mm E-NUT AND SCREW (WOOD INSERT)
	STEEL TO STEEL	FULL WELDING - FOR TUBULAR TO TUBULAR CONNECTIONS; ADEQUATE WELDING - FOR B.I. PIPE TO FLAT BAR CONNECTIONS

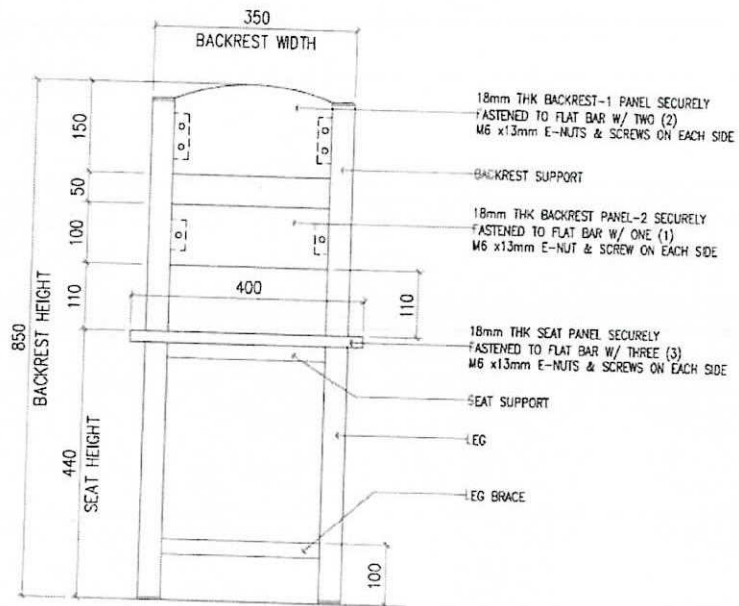
2 SCHEDULE OF FINISHES	
BACKREST & SEAT	HIGH PRESSURE WOOD GRAIN LAMINATE W/ PVC EDGING
METAL / STEEL	POWDER COATED (BLACK); SMOOTH, GLOSSY FINISH
LAMINATE COLOR	SERANO BEECH OR EQUIVALENT

3 DIMENSIONS OF TEACHER'S CHAIR (TOLERANCE OF ± 10 mm)	
COMPONENT	DIMENSIONS (mm)
SEAT HEIGHT	440
SEAT DEPTH	400
SEAT WIDTH	400
BACKREST HEIGHT	850
BACKREST WIDTH	350

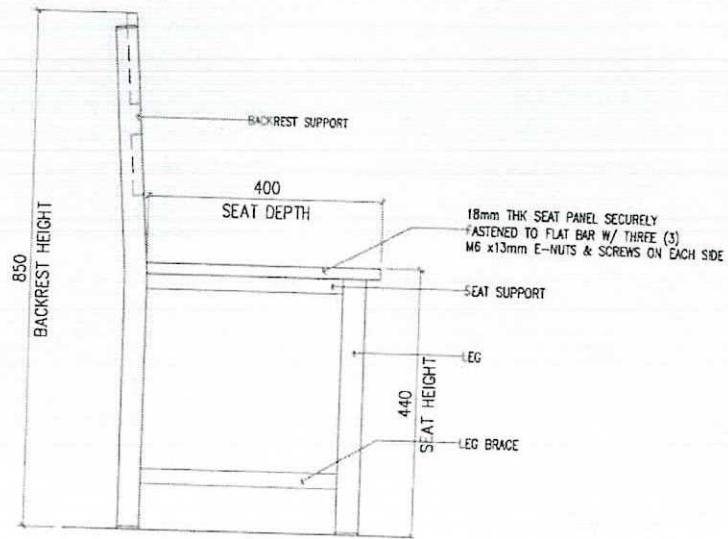
<p>REPUBLIC OF THE PHILIPPINES DEPARTMENT OF EDUCATION EDUCATION FACILITIES DIVISION MERRILL AVENUE, PASIG CITY</p>	<p>DESIGN BY: <i>[Signature]</i> RAYMONT G. ALBAS ARCHITECT</p>	<p>RECOMMENDING APPROVAL: <i>[Signature]</i> ENR. MARABELLE R. PARRAS CHIEF, EDUCATION FACILITIES DIVISION</p>	<p>APPROVED BY: <i>[Signature]</i> Undersecretary for School Infrastructure and Facilities</p>	<p>CONCURRED BY: <i>[Signature]</i> Undersecretary for Curriculum and Teaching</p>	<p>PROJECT TITLE: TEACHER'S CHAIR (WOOD & STEEL)</p>	<p>SHEET CONTENTS: TECHNICAL SPECIFICATIONS OF TEACHER'S CHAIR SCHEDULE OF FINISHES DIMENSIONS ISOMETRIC VIEW</p>	<p>SHEET NO.: 1 3</p>
---	---	--	--	--	--	---	-------------------------------



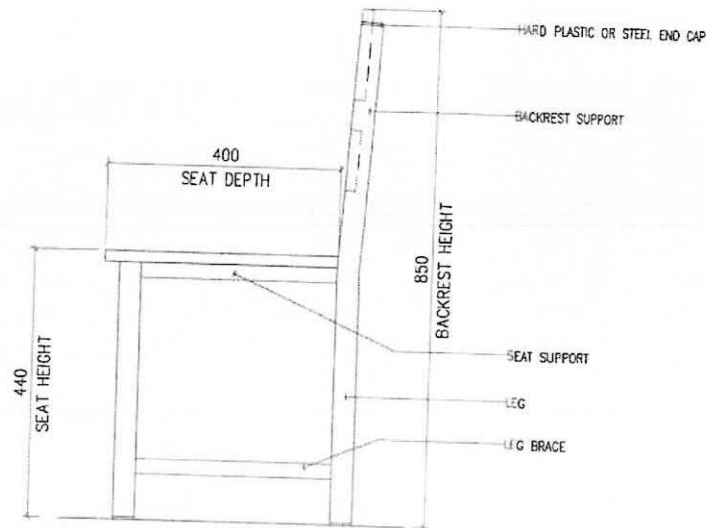
1 PLAN
SCALE 1 : 50 M



2 FRONT ELEVATION
SCALE 1 : 50 M



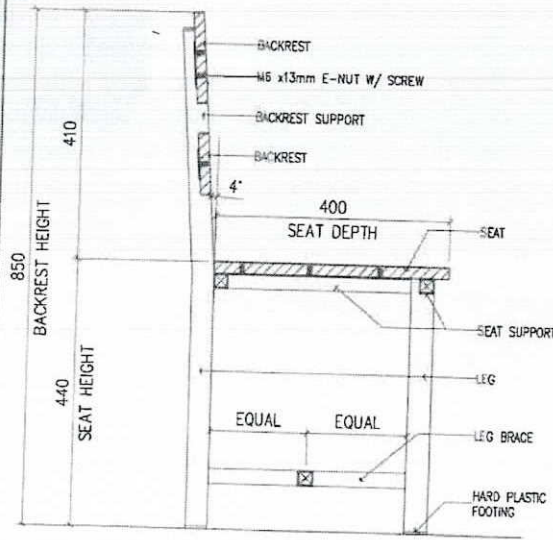
3 LEFT-SIDE ELEVATION
SCALE 1 : 50 M



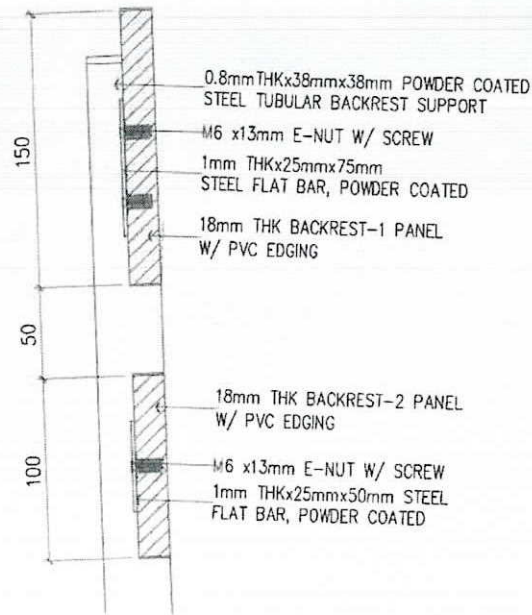
4 RIGHT-SIDE ELEVATION
SCALE 1 : 50 M

NOTES:
WOOD GLUE SHALL BE APPLIED BEFORE INSERTING E-NUT INTO THE PLYWOOD
CORNERS OF BACKREST & SEAT PANELS MUST BE ROUNDED

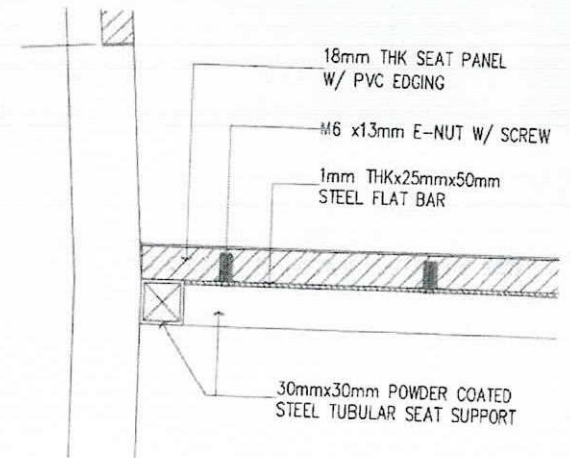
<p>REPUBLIC OF THE PHILIPPINES DEPARTMENT OF EDUCATION EDUCATION FACILITIES DIVISION WORKS & INSTALLATION GROUP</p>	DESIGN BY: JET PASTOR D. ALIBASO ARCHITECT	RECOMMENDING APPROVAL: ENGR. ANABEBE M. BANGSA CHIEF - EDUCATION FACILITIES DIVISION	APPROVED BY: EPIMACO V. DENISING III Undersecretary for School Infrastructure and Facilities	CONCURRED BY: GINA D. MONONG Undersecretary for Curriculum and Teaching	PROJECT TITLE: TEACHER'S CHAIR (WOOD & STEEL)	SHEET CONTENTS: PLANS & ELEVATIONS - TEACHER'S CHAIR	SHEET NO.: 2 3
---	--	--	--	---	---	---	----------------------



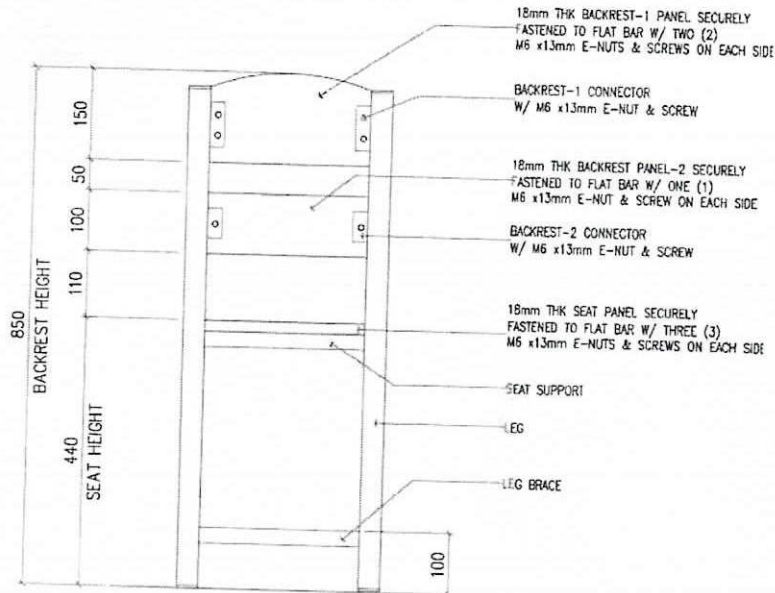
1 CROSS SECTION
3 SCALE 1 : 50 M



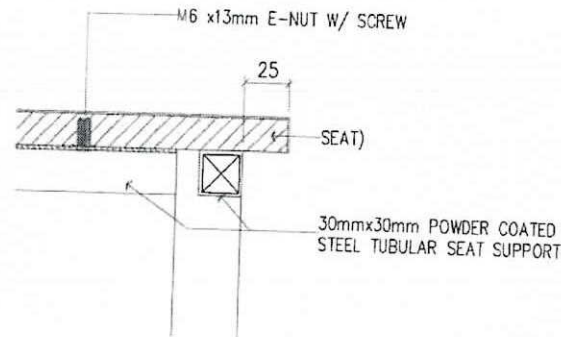
3 DETAIL - 1
3 SCALE 1 : 50 M



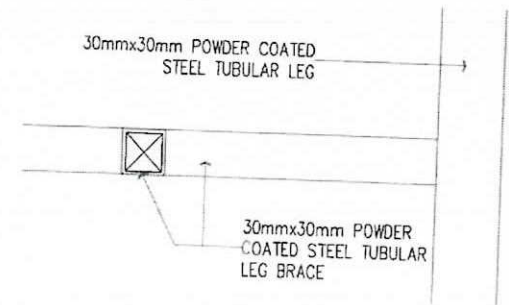
4 DETAIL - 2
3 SCALE 1 : 50 M



2 REAR ELEVATION
3 SCALE 1 : 50 M



5 DETAIL - 3
3 SCALE 1 : 50 M



6 DETAIL - 4
3 SCALE 1 : 50 M

NOTES:
WOOD GLUE SHALL BE APPLIED BEFORE INSERTING E-NUT INTO THE PLYWOOD
CORNERS OF BACKREST & SEAT PANELS MUST BE ROUNDED



DRAWN BY:

RAYMOND G. ALABASO
ARCHITECT

RECOMMENDING APPROVAL:

ENGR. ANNABELLE
CHIEF - EDUCATION FACILITIES DIVISION

APPROVED BY:

ENRICO T. TENSING III
Undersecretary for School Infrastructure and Facilities

CONCURRED BY:

GINA O. GUNONG
Undersecretary for Curriculum and Teaching

PROJECT TITLE:

TEACHER'S CHAIR
(WOOD & STEEL)

SHEET CONTENTS

CROSS SECTION
REAR ELEVATION
SPOT DETAILS

SHEET NO.

3

3