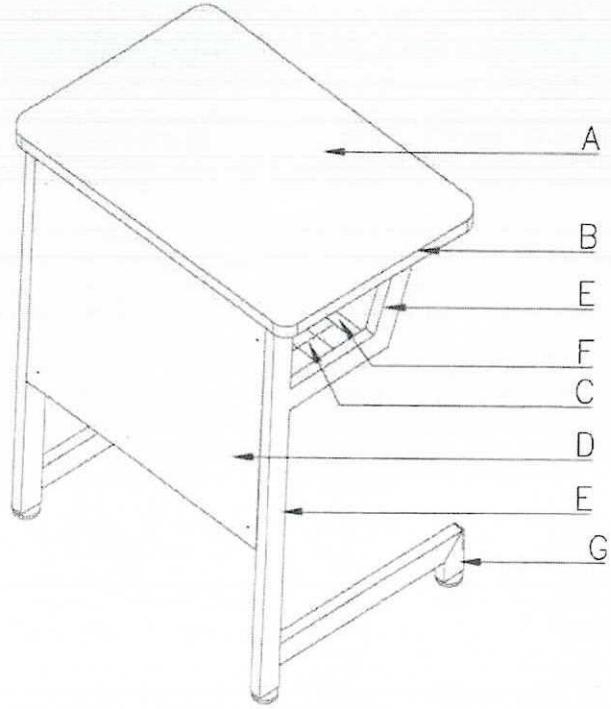


1	TECHNICAL SPECIFICATIONS OF LEARNER'S TABLE	
MARK	COMPONENTS	SPECIFICATIONS
A	TABLE TOP	18MM THK TOP BOARD ROUND CORNER'S (1 SIDE 1.0MM THK HIGH PRESSURE LAMINATE/1 SIDE VARNISH FINISHES ON MARINE PLYWOOD)
B	EDGING	1.0 MM THK PVC EDGING, ALL EDGES OF TABLE TOP
C	SHELF	METAL WIRE MESH 4MMTHKX50X50
D	FRONT COVER	6MM THK FRONT COVER (1 SIDE 1.0MM THK HIGH PRESSURE LAMINATE / 1 SIDE VARNISH FINISHES ON MARINE PLYWOOD)
E	MAIN FRAME	1.0MMTHKX20MMX40MM STEEL TUBULAR
F	SECONDARY FRAME	1.0MMTHKX20MMX20MM STEEL TUBULAR
G	ADJUSTABLE LEVELER	8MM ϕ THREAD WITH 38MM ϕ PLASTIC BASE
	CONNECTOR/FLAT BAR	1MMTHKX25MMX50MM STEEL FLAT BAR (TABLE TOP: 4PCS; SCREW)
	CONNECTION	WOOD TO STEEL: SCREW: E-TYPE HEX M6X13mm; (TABLE TOP) RIVETS: BLIND RIVET (FRONT COVER) STEEL TO STEEL: FULL WELDING CONNECTION



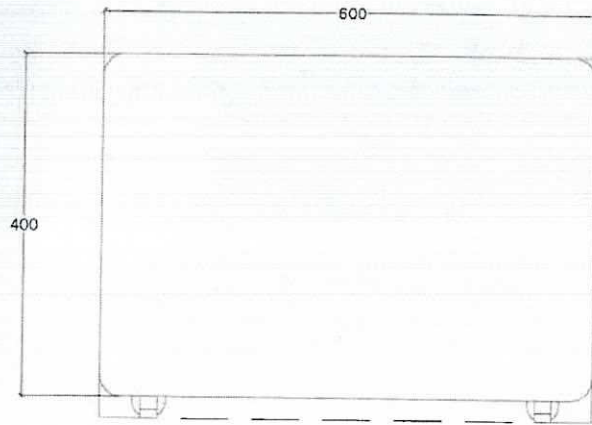
1 ISOMETRIC VIEW OF LEARNER'S TABLE
1 SCALE

2a	SCHEDULE OF FINISHES	
TOP BOARD	1.0MM THK HIGH PRESSURE LAMINATE	
EDGING	1.0 MM THK PVC EDGING, ALL EDGES OF TABLE TOP	
FRONT COVER	1.0MM THK HIGH PRESSURE LAMINATE	
METAL/STEEL TUBULAR	POWDER COATED (BLACK); SMOOTH, GLOSSY FINISH	
LAMINATE COLOR	PANTONE 729C OR COLOR HEX #007c45 / RGB 186, 124, 69 / CMYK 0%, 33%, 63%, 27% WITH WOOD GRAIN (SERANO BEECH OR EQUIVALENT)	

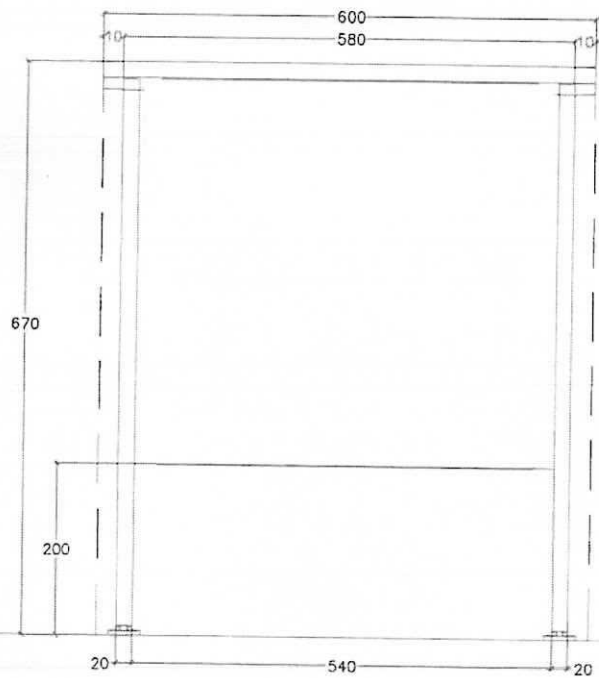
3	DIMENSIONS OF LEARNER'S TABLE(mm) (TOLERANCE \pm 10mm)		
MARK	COMPONENTS	DIMENSIONS	
		ELEMENTARY	SECONDARY
a	TABLE HEIGHT	670	730
b	TABLE LENGTH	600	600
c	TABLE WIDTH	400	400

 REPUBLIC OF THE PHILIPPINES DepED DEPARTMENT OF EDUCATION EDUCATION FACILITIES DIVISION HERALDO A. TEMES, PASIG CITY	DRAWN BY: ENR. RAYMOND G. ALARCON ARCHITECT	RECOMMENDING APPROVAL: ENGR. ANNABELLE PANGAN CHIEF - EDUCATION FACILITIES DIVISION	APPROVED BY: EPIMACO V. ASUNCION II Undersecretary for School Infrastructure and Facilities	CONCURRED BY: GNA O. GULONG Undersecretary for Curriculum and Teaching	PROJECT TITLE: LEARNER'S TABLE (WOOD & STEEL)	SHEET CONTENTS TECHNICAL SPECIFICATION SCHEDULE OF FINISHES EDGING APPLICATION DIMENSIONS ISOMETRIC VIEW	SHEET NO: 1 3
---	---	---	---	--	---	---	---------------------

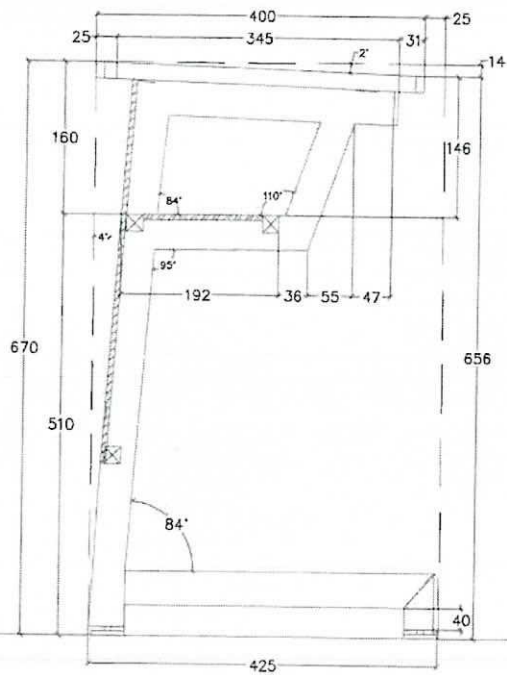
DEPED ELEMENTARY SINGLE LEARNER'S TABLE



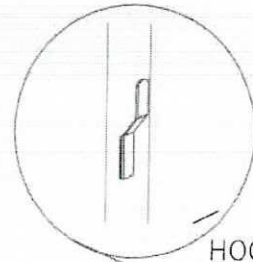
TOP VIEW



FRONT VIEW



SIDE SECTION VIEW



HOOK

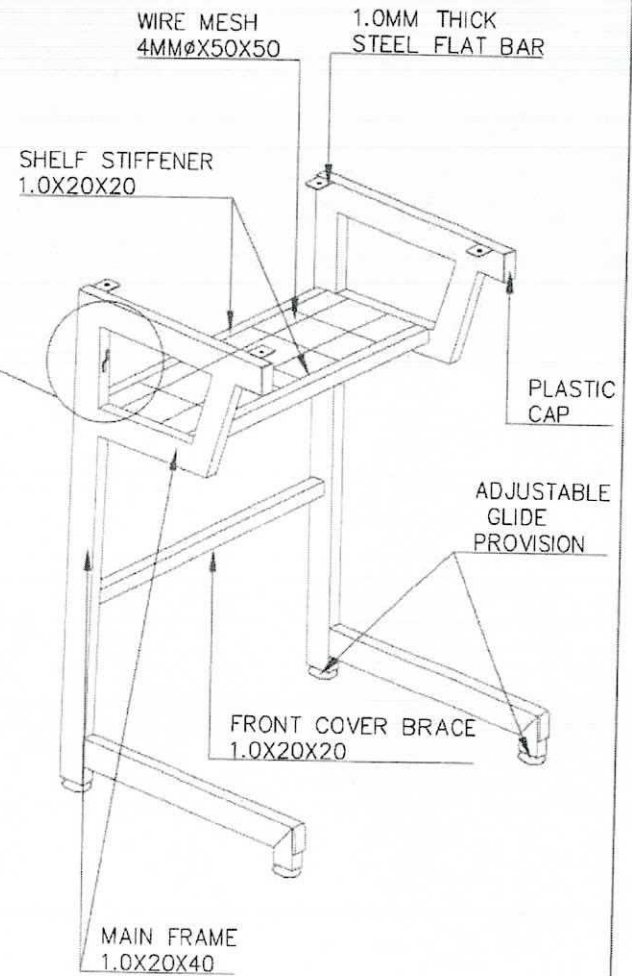
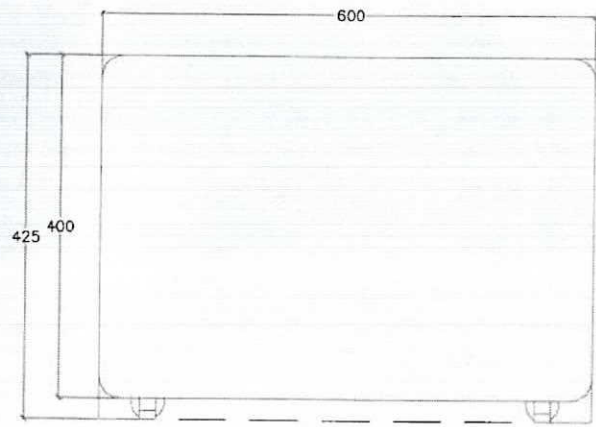


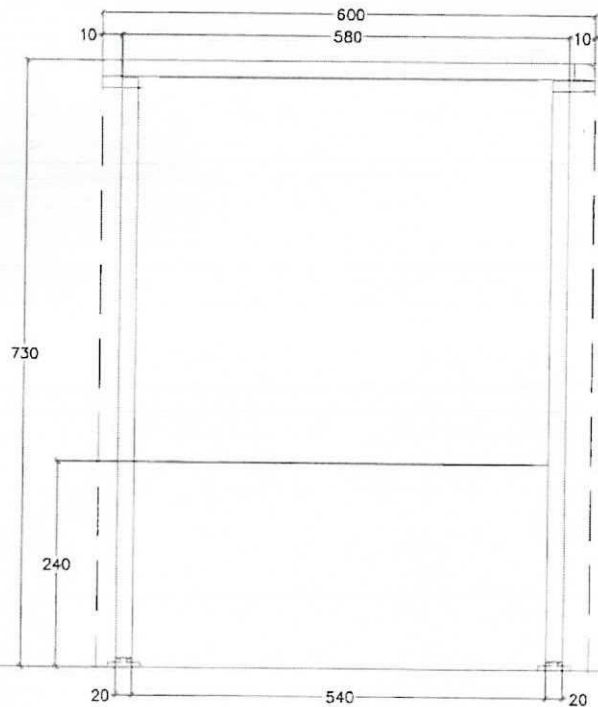
TABLE FRAMING
PERSPECTIVE VIEW

<p>REPUBLIC OF THE PHILIPPINES DepED DEPARTMENT OF EDUCATION EDUCATION FACILITIES DIVISION HERNANDO AVENUE, PASIG CITY</p>	<p>DESIGNED BY: <i>[Signature]</i> DR. RAYMOND G. ALABADO ARCHITECT</p>	<p>RECOMMENDING APPROVAL: <i>[Signature]</i> ENGR. ANTONIO M. LANGAN CHIEF, EDUCATION FACILITIES DIVISION</p>	<p>APPROVED BY: <i>[Signature]</i> EDUARDO Z. SORIANO III Undersecretary for School Infrastructure and Facilities</p>	<p>CONCURRED BY: <i>[Signature]</i> LINDA D. DELONG Undersecretary for Curriculum Development</p>	<p>PROJECT TITLE: LEARNER'S TABLE (WOOD & STEEL)</p>	<p>SHEET CONTENTS: TOP VIEW FRONT VIEW SIDE SECTION VIEW FRAMING PERSPECTIVE VIEW</p>	<p>SHEET NO.: 2 3</p>
---	---	---	---	---	---	---	-------------------------------

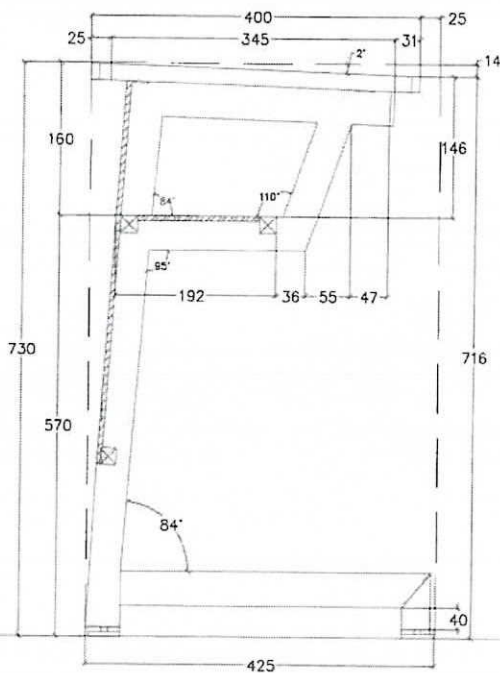
DEPED SECONDARY SINGLE LEARNER'S TABLE



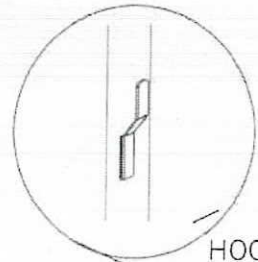
TOP VIEW



FRONT VIEW



SIDE SECTION VIEW



HOOK

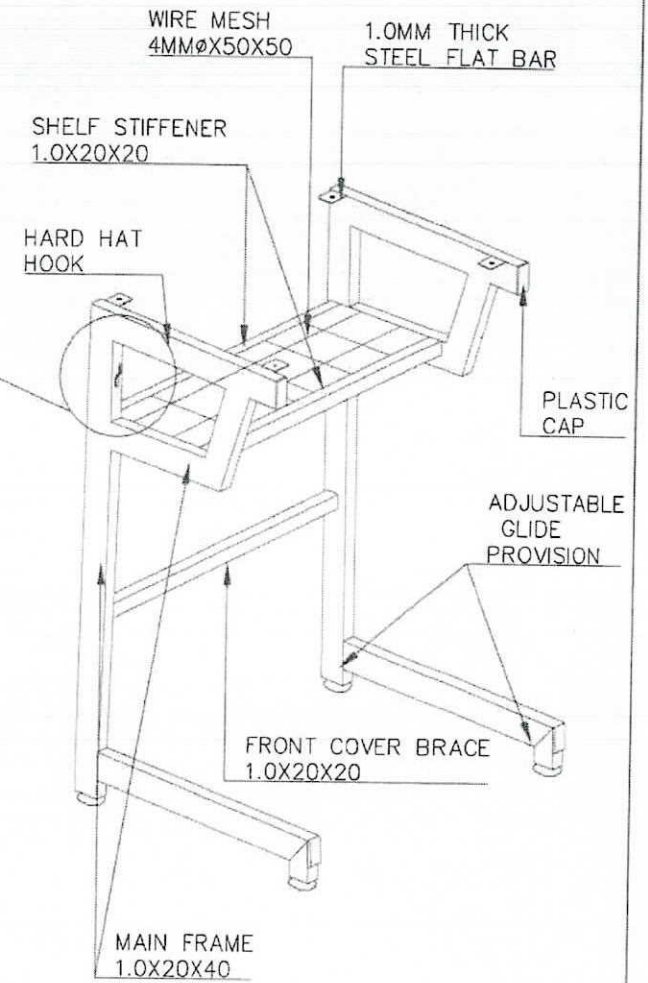
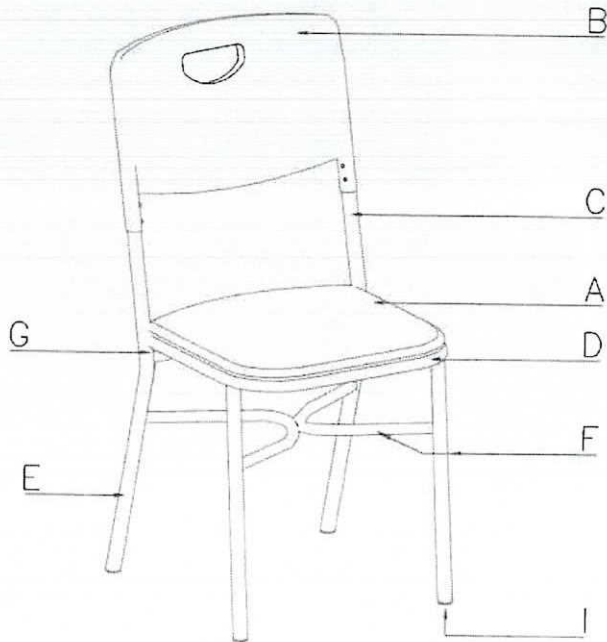


TABLE FRAMING PERSPECTIVE VIEW

<p>REPUBLIC OF THE PHILIPPINES DepED DEPARTMENT OF EDUCATION EDUCATION FACILITIES DIVISION HERNANDO AVENUE, PASIG CITY</p>	<p>DRAWN BY:</p> <p>ARCHITECT</p>	<p>RECOMMENDING APPROVAL:</p> <p>ENGR. ARNEL B. BERMAN CHIEF - EDUCATION FACILITIES DIVISION</p>	<p>APPROVED BY:</p> <p>EPIMACO V. DENGING III Undersecretary for School Infrastructure and Facilities</p>	<p>CONCURRED BY:</p> <p>GINA D. CONONG Undersecretary for Curriculum and Teaching</p>	<p>PROJECT TITLE:</p> <p>LEARNER'S TABLE (WOOD & STEEL)</p>	<p>SHEET CONTENTS</p> <p>TOP VIEW FRONT VIEW SIDE SECTION VIEW FRAMING PERSPECTIVE VIEW</p>	<p>SHEET NO.:</p> <p>3 3</p>
---	-----------------------------------	--	---	---	--	---	----------------------------------



1 ISOMETRIC VIEW OF LEARNER'S CHAIR
1 SCALE

1 TECHNICAL SPECIFICATIONS OF LEARNER'S CHAIR		
MARK	COMPONENTS	SPECIFICATIONS
A	SEAT	BLOW MOLDED PLASTIC HIGH-DENSITY POLYETHYLENE (HDPE)
B	BACKREST	BLOW MOLDED PLASTIC HIGH-DENSITY POLYETHYLENE (HDPE)
C	BACK SUPPORT	BI PIPE TUBE 1.0MMX22MM ϕ
D	SEAT SUPPORT	BI PIPE TUBE 1.0MMX19MM ϕ
E	BACK LEG	BI PIPE TUBE 1.0MMX22MM ϕ
F	FRONT LEG/BRACE	BI PIPE TUBE 1.0MMX22MM ϕ
G	LOWER SEAT SUPPORT	BI PIPE TUBE 1.0MMX19MM ϕ
I	COVER CAP	PLASTIC GLIDE
	<u>HDPE TO STEEL:</u>	BACK HDPE TO STEEL - SELF TAPPING SCREW/RIVET
		SEAT HDPE TO STEEL - 1MM THK 25MMX30MM FLAT BAR, M6X12

SCHEDULE OF FINISHES

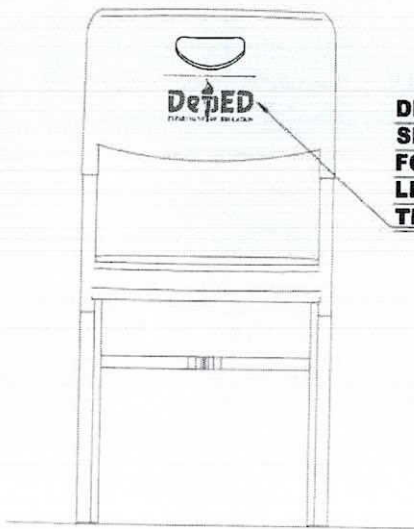
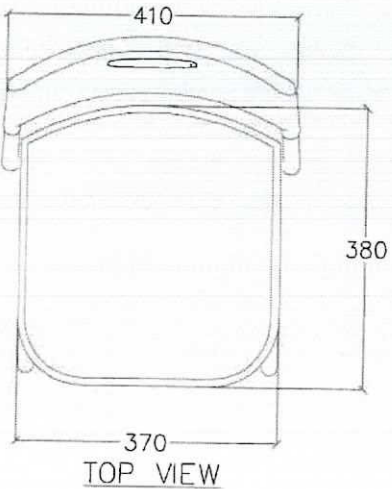
SEAT PANEL BACKREST	HIGH-DENSITY POLYETHYLENE (HDPE) PLASTIC (BLOW MOLDED)
METAL/STEEL TUBULAR	POWDER COATED (BLACK); SMOOTH, GLOSSY FINISH
HDPE COLOR	REFER TO COLOR CODE PANTONE 4665C OR COLOR HEX: #cda788 / RGB: 205, 167, 136 / CMYK: 0%, 19%, 34%, 20%

DIMENSIONS OF LEARNER'S CHAIR (mm)
(TOLERANCE ± 10 mm)

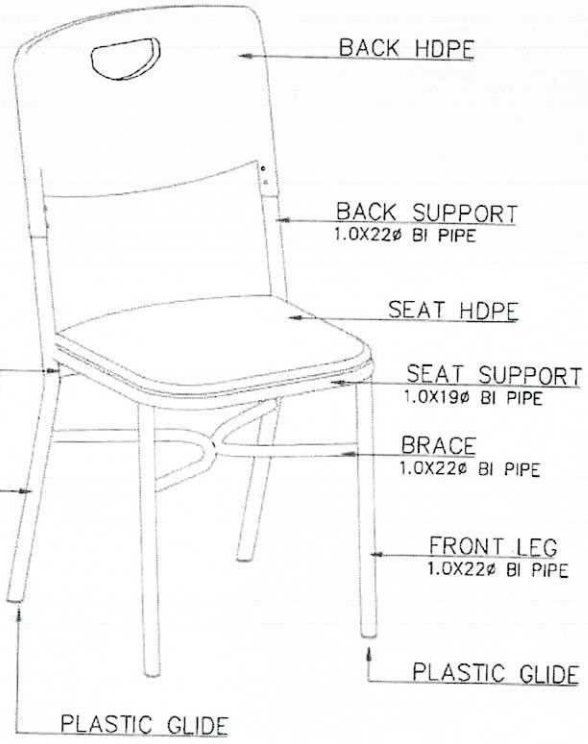
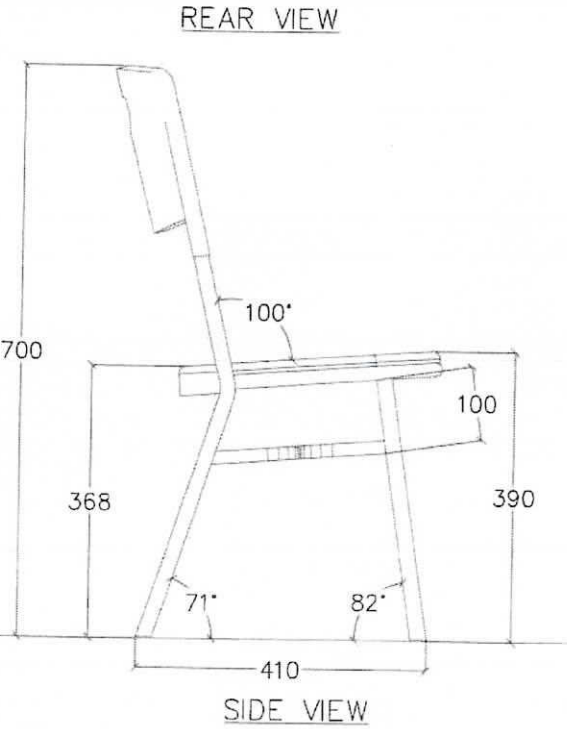
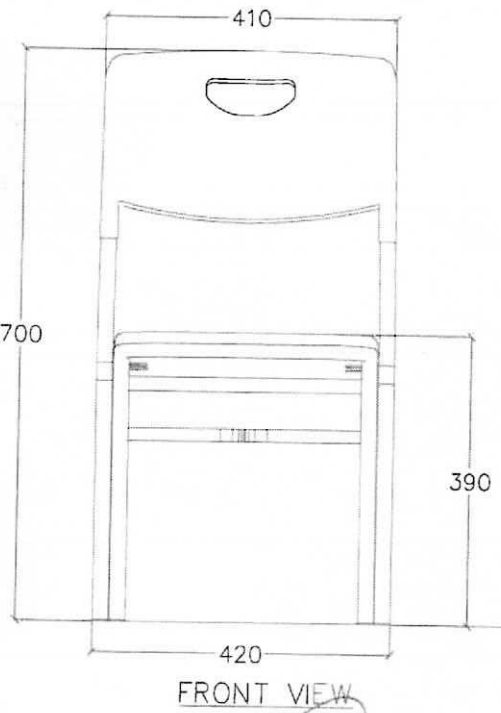
COMPONENTS	DIMENSIONS	
	ELEMENTARY	SECONDARY
SEAT HEIGHT	390	430
SEAT DEPTH	380	380
SEAT WIDTH	370	370
BACK REST HEIGHT	700	800
BACK REST WIDTH	410	410

<p>REPUBLIC OF THE PHILIPPINES DepED DEPARTMENT OF EDUCATION EDUCATION FACILITIES DIVISION MERRILL AVENUE, PASIG CITY</p>	<p>DRAWN BY:</p> <p>JET RAFAEL G. ALABISO ARCHITECT</p>	<p>RECOMMENDING APPROVAL:</p> <p>ENGR. ANA BELLY R. DAVILA CHIEF - EDUCATION FACILITIES DIVISION</p>	<p>APPROVED BY:</p> <p>EFIMACO V. DENISING III Undersecretary for School Infrastructure and Facilities</p>	<p>CONCURRED BY:</p> <p>DIRECTOR GENERAL Undersecretary for Curriculum and Teaching</p>	<p>PROJECT TITLE:</p> <p>LEARNER'S CHAIR (HDPE & STEEL)</p>	<p>SHEET CONTENTS</p> <p>TECHNICAL SPECIFICATION SCHEDULE OF FINISHES EDGING APPLICATION DIMENSIONS ISOMETRIC VIEW</p>	<p>SHEET NO:</p> <p>1 5</p>
--	---	--	--	---	---	--	---------------------------------

DEPED ELEMENTARY LEARNER'S CHAIR



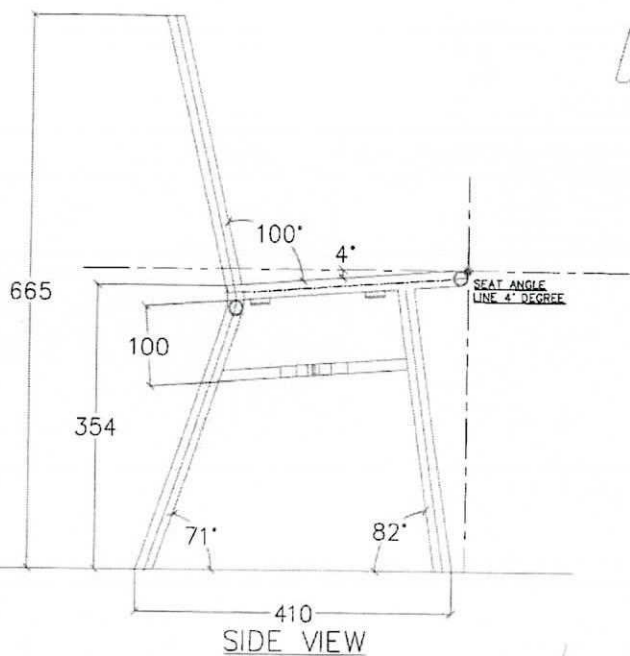
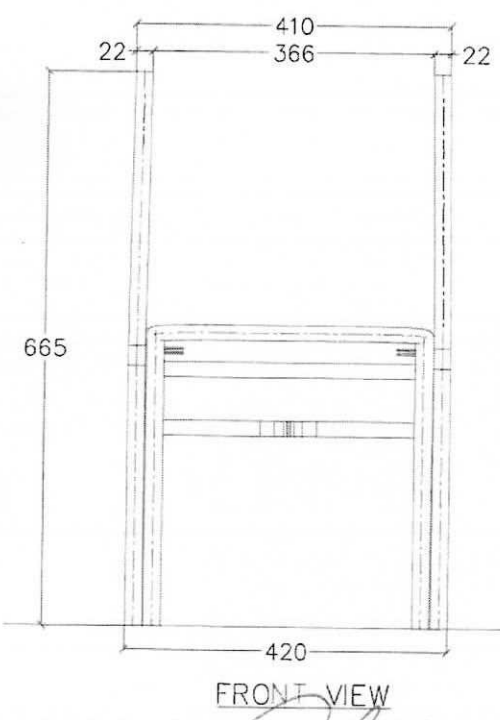
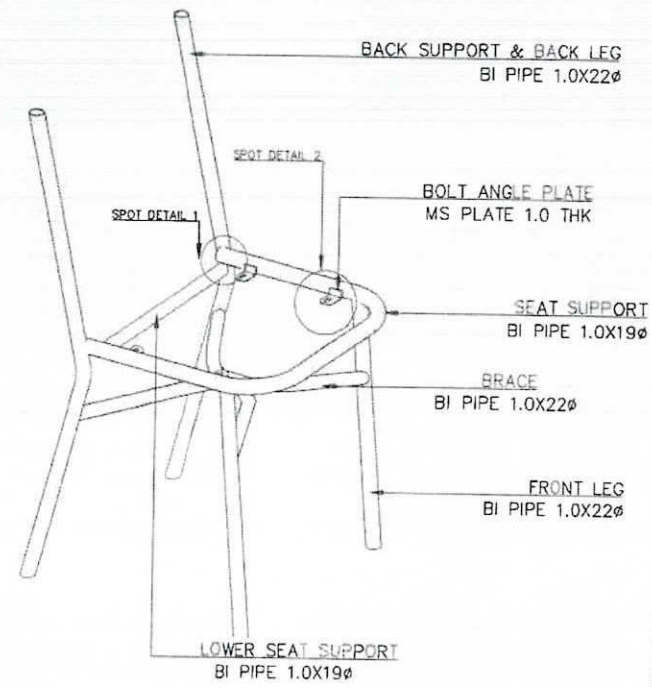
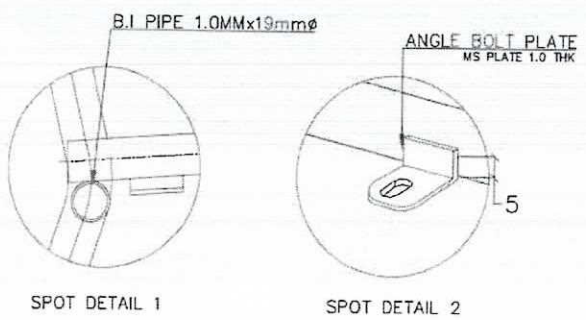
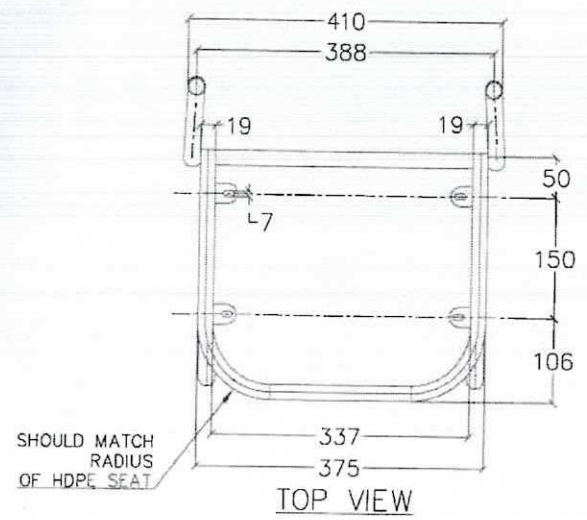
**DEPED LOGO
SPECIFICATIONS
FOR ALL
LEARNER AND
TEACHER'S CHAIR**



LEARNER'S CHAIR
PERSPECTIVE VIEW

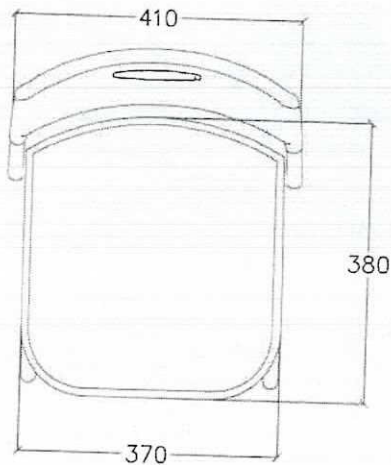
<p>REPUBLIC OF THE PHILIPPINES DepED DEPARTMENT OF EDUCATION EDUCATION FACILITIES DIVISION MERRALDO AVENUE, PASIG CITY</p>	<p>DESIGNED BY: <i>[Signature]</i> ENR. RAYMOND C. ALABASO ARCHITECT</p>	<p>RECOMMENDING APPROVAL: <i>[Signature]</i> ENGR. ANABELLE R. PIMAN CHIEF - EDUCATION FACILITIES DIVISION</p>	<p>APPROVED BY: <i>[Signature]</i> ENR. EPIMACO V. DENSIÑA Undersecretary for School Infrastructure and Facilities</p>	<p>CONCURRED BY: <i>[Signature]</i> GINA O. DONONG Undersecretary for Curriculum and Teaching</p>	<p>PROJECT TITLE LEARNER'S CHAIR (HDPE & STEEL)</p>	<p>SHEET CONTENTS ELEMENTARY LEARNER'S CHAIR: - PERSPECTIVE VIEW - TOP VIEW - REAR VIEW - FRONT VIEW - SIDE VIEW</p>	<p>SHEET NO. 2 5</p>
---	--	--	--	---	--	--	------------------------------

DEPED ELEMENTARY LEARNER'S CHAIR

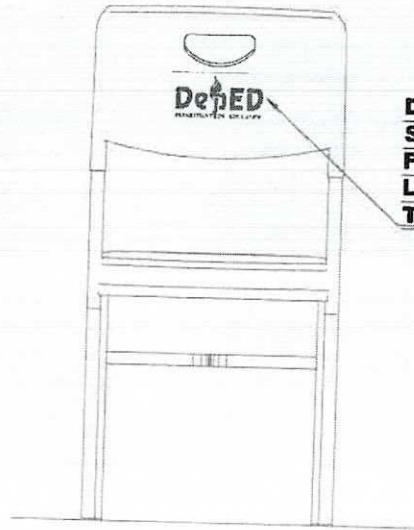


<p>REPUBLIC OF THE PHILIPPINES DepED DEPARTMENT OF EDUCATION EDUCATION FACILITIES DIVISION MERRILL AVENUE, PASIG CITY</p>	DRAWN BY: RAYMOND G. ALABASO ARCHITECT	RECOMMENDING APPROVAL: ENGR. ANNABELLE P. PANG CHIEF - EDUCATION FACILITIES DIVISION	APPROVED BY: LEONARDO V. DENING III Undersecretary for School Infrastructure and Facilities	CONCURRED BY: GINA O. GONONG Undersecretary for Curriculum and Learning	PROJECT TITLE: LEARNER'S CHAIR (HDPE & STEEL)	SHEET CONTENTS: ELEMENTARY LEARNER'S CHAIR -CHAIR FRAME (TOP, FRONT, SIDE VIEWS) -PERSPECTIVE VIEW -DETAILS	SHEET NO: 3 5

DEPED SECONDARY LEARNER'S CHAIR

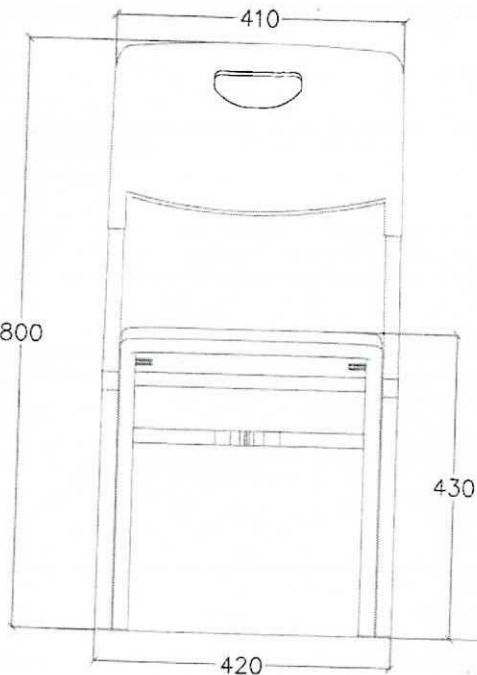


TOP VIEW

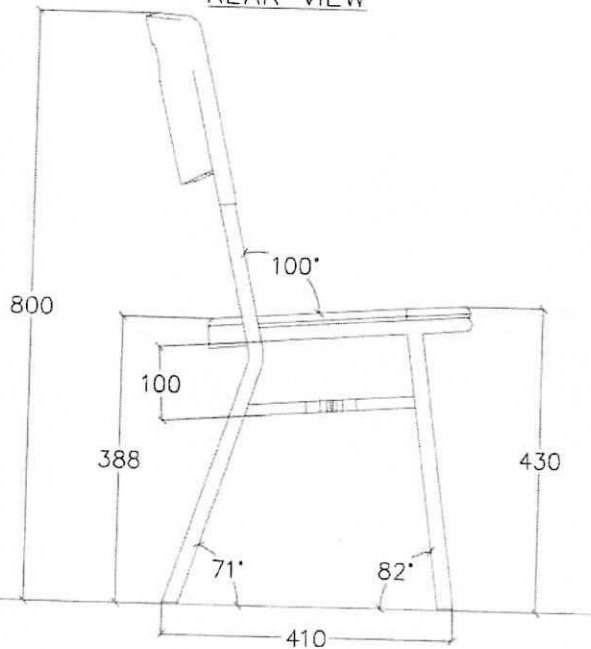


REAR VIEW

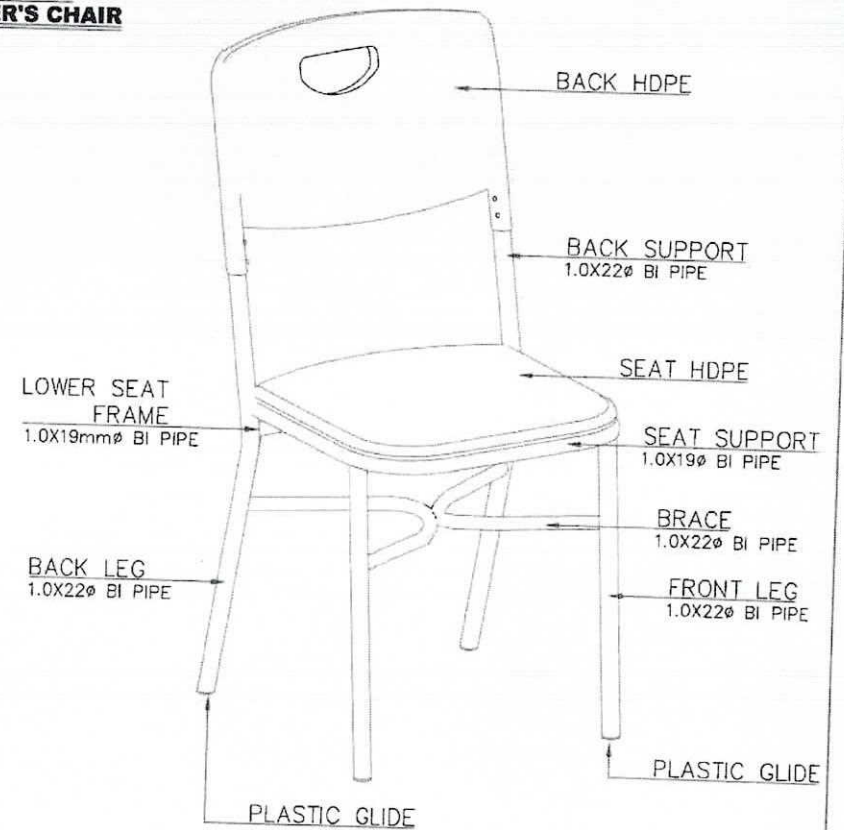
DEPED LOGO SPECIFICATIONS FOR ALL LEARNER AND TEACHER'S CHAIR



FRONT VIEW



SIDE VIEW



LEARNER'S CHAIR PERSPECTIVE VIEW



DESIGNED BY:
[Signature]
JEFFREY D. G. ALABAS
ARCHITECT

RECOMMENDING APPROVAL:
[Signature]
ENGR. ANWARULLEB KHAN
CHIEF - EDUCATION FACILITIES DIVISION

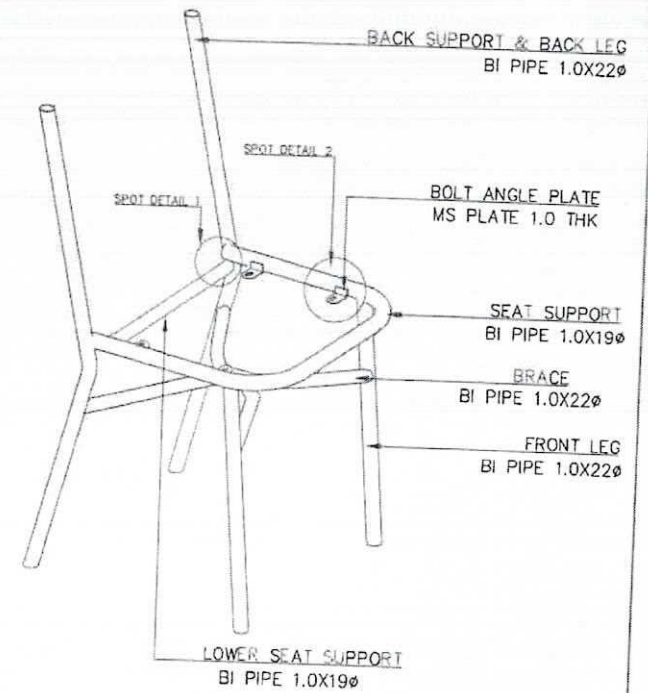
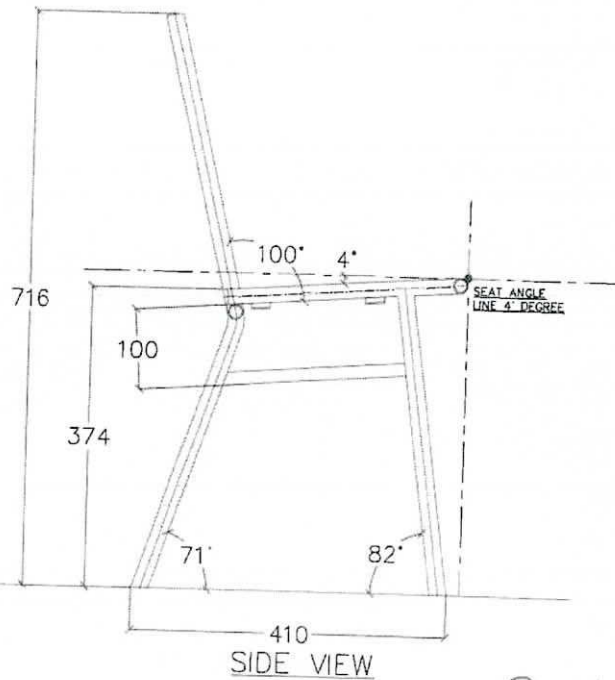
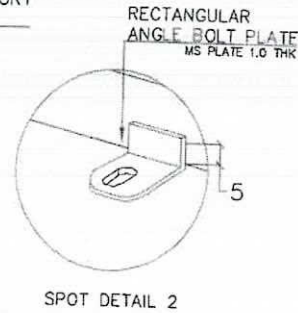
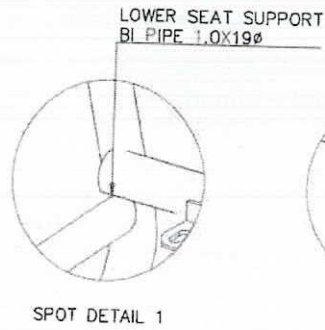
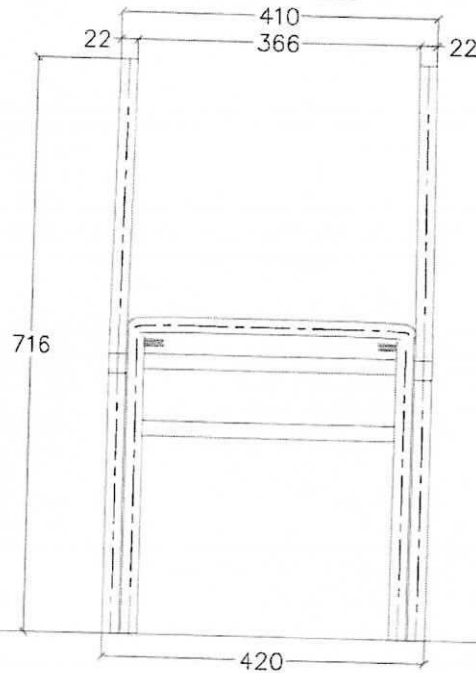
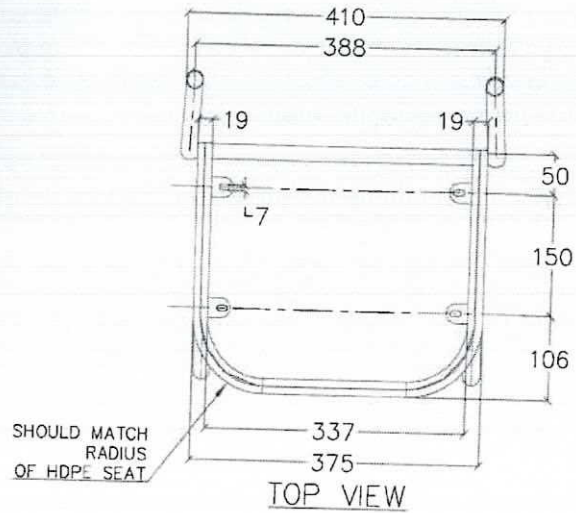
APPROVED BY:
[Signature]
JIMMY V. DENING III
Undersecretary for School Infrastructure and Facilities

CONCURRED BY:
[Signature]
D. MONONO
Undersecretary for Curriculum and Teaching

PROJECT TITLE:
LEARNER'S CHAIR (HDPE & STEEL)

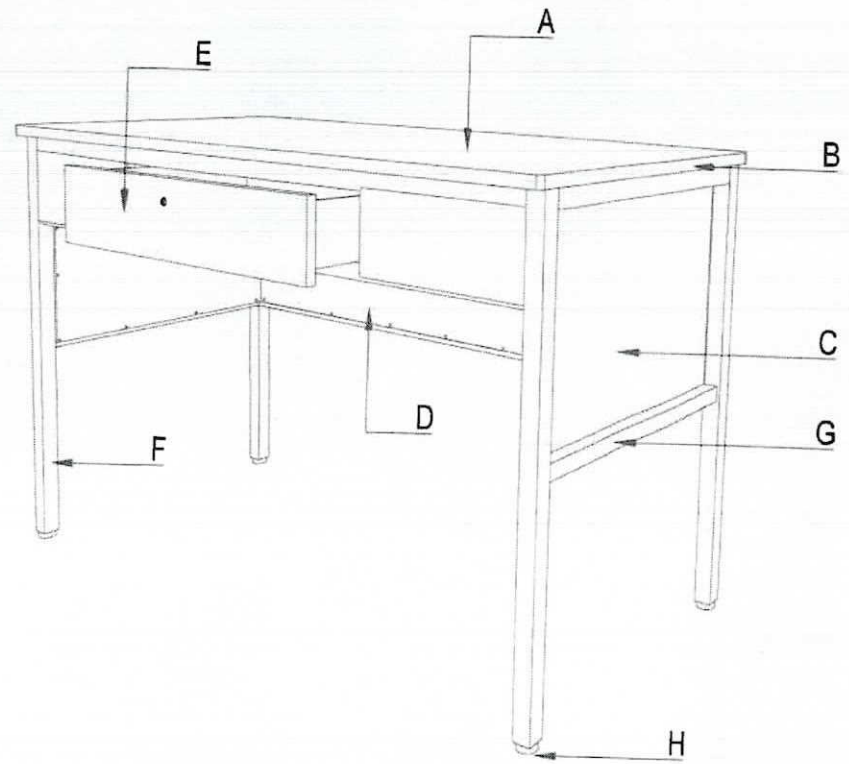
SHEET CONTENTS	SHEET NO:
SECONDARY LEARNER'S CHAIR: - PERSPECTIVE VIEW - TOP VIEW - REAR VIEW - FRONT VIEW - SIDE VIEW	4
	5

DEPED SECONDARY LEARNER'S CHAIR



<p>REPUBLIC OF THE PHILIPPINES DepEd DEPARTMENT OF EDUCATION EDUCATION FACILITIES DIVISION HERALDO AVENUE, PANGLOSS CITY</p>	<p>DESIGNED BY: <i>[Signature]</i> ENGR. MOND G. ALABASO ARCHITECT</p>	<p>RECOMMENDING APPROVAL: <i>[Signature]</i> ENGR. ANASUE L. BARRERA CHIEF - EDUCATION FACILITIES DIVISION</p>	<p>APPROVED BY: <i>[Signature]</i> ENR. MACLAC DENISING III Undersecretary for School Infrastructure and Facilities</p>	<p>CONCURRED BY: <i>[Signature]</i> GINA O. GONONG Undersecretary for Curriculum and Teaching</p>	<p>PROJECT TITLE: LEARNER'S CHAIR (HDPE & STEEL)</p>	<p>SHEET CONTENTS SECONDARY LEARNER'S CHAIR - CHAIR FRAME (TOP, FRONT, SIDE VIEWS) - PERSPECTIVE VIEW - DETAILS</p>	<p>SHEET NO. 5 5</p>
---	--	--	---	---	---	---	------------------------------

1 TECHNICAL SPECIFICATIONS OF TEACHER'S TABLE		
MARK	COMPONENTS	SPECIFICATIONS
A	TABLE TOP	18MM THK TOP BOARD ROUND CORNER'S (1 SIDE 1.0MM THK HIGH PRESSURE LAMINATE / 1 SIDE VARNISH FINISHES ON MARINE PLYWOOD)
B	EDGING	2.0MM THICK PVC EDGING
C	SIDE COVER	6.0MM THICK MARINE PLYWOOD W/ HIGH PRESSURE LAMINATE
D	FRONT COVER	6.0MM THICK MARINE PLYWOOD W/ HIGH PRESSURE LAMINATE
E	PULL OUT DRAWER	DRAWER FACE : 1 SIDE 1.0MM THK HIGH PRESSURE LAMINATE / 1 SIDE VARNISH FINISHES ON 18MM THICK MARINE PLYWOOD DRAWER BOX : 12mm THK MARINE PLYWOOD W/ SOLID WOOD EDGING VARNISH FINISHED DRAWER LOCK : 1 LOCK ONLY PER TABLE,
	DRAWER GUIDE	400MM LONG RAIL GUIDE (BALL BEARING TYPE)
F	LEG	1.0MMTHKX30MMX30MM STEEL TUBULAR
G	BRACES	1.0MMTHKX30MMX30MM STEEL TUBULAR
H	ADJUSTABLE LEVELER	8MMØ THREAD WITH 38MMØ PLASTIC BASE
	CONNECTION	STEEL TO STEEL: FULL WELDING WOOD TO STEEL: THREADED NUTS E-TYPE HEX M6 X13mm LENGTH (TABLE TOP) BLIND RIVETS (FRONT COVER / SIDE COVER) WOOD TO WOOD: WOOD GLUE AND FINISHING NAILS

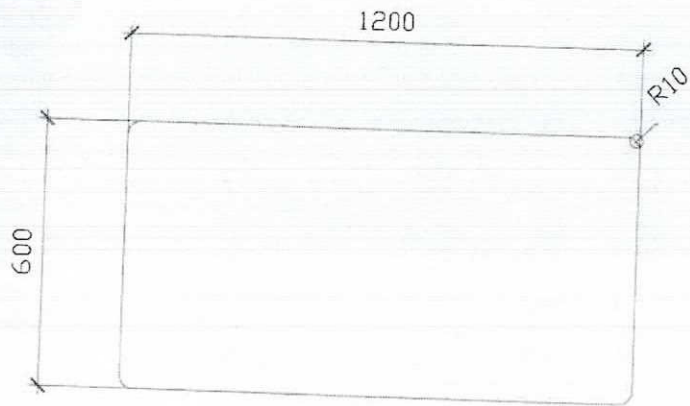


1 ISOMETRIC VIEW OF TEACHER'S TABLE
1 SCALE

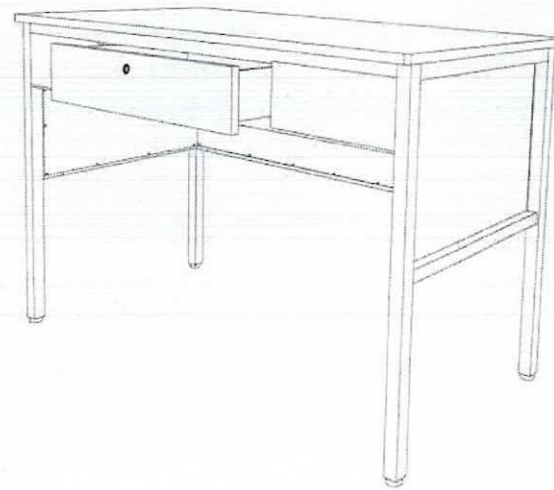
2a SCHEDULE OF FINISHES	
TOP BOARD	18MM THK TOP BOARD ROUND CORNER'S (1 SIDE 1.0MM THK HIGH PRESSURE LAMINATE / 1 SIDE VARNISH FINISHES ON MARINE PLYWOOD)
EDGING	2.0MM THICK PVC EDGING
METAL/STEEL TUBULAR	POWDER COATED (BLACK); SMOOTH, GLOSSY FINISH
LAMINATE COLOR	PANTONE 729C OR COLOR HEX #ba7c45 / RGB 186, 124, 69 / CMYK 0%, 33%, 63%, 27% WITH WOOD GRAIN (SERANO BEECH OR EQUIVALENT)

3 DIMENSIONS OF TEACHER'S TABLE (mm) (TOLERANCE ± 10mm)		
MARK	COMPONENTS	DIMENSIONS
a	TABLE HEIGHT	750
b	TABLE LENGTH	1200
c	TABLE WIDTH	600

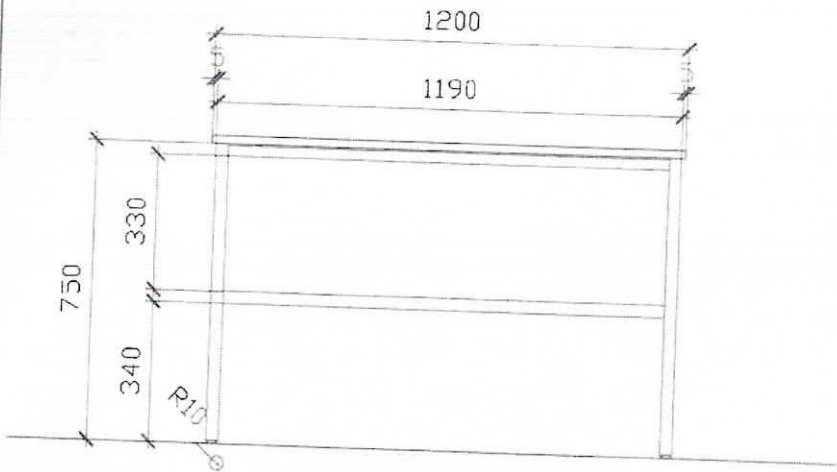
 REPUBLIC OF THE PHILIPPINES DEPARTMENT OF EDUCATION EDUCATION FACILITIES DIVISION MERRILL AVENUE, PASIG CITY	DRAWN BY : RAYMOND C. A. ABASO ARCHITECT	RECOMMENDING APPROVAL : ENGR. ANNABELLE R. PARDO CHIEF - EDUCATION FACILITIES DIVISION	APPROVED BY : EPIMACO A. MESTAS III Undersecretary for School Infrastructure and Facilities	CONCURRED BY : GINA O. GONGONG Undersecretary for Curriculum and Teaching	PROJECT TITLE : TEACHER'S TABLE (WOOD & STEEL)	SHEET CONTENTS TECHNICAL SPECIFICATION SCHEDULE OF FINISHES EDGING APPLICATION DIMENSIONS ISOMETRIC VIEW	SHEET NO : 1 5
---	--	--	---	---	--	---	----------------------



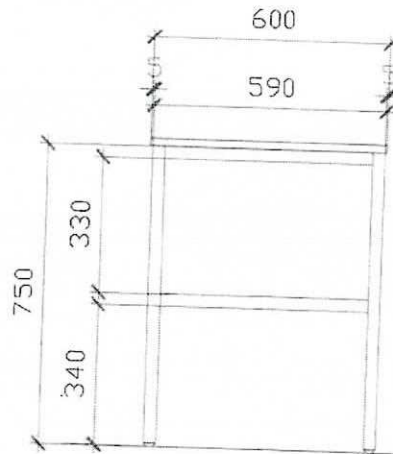
PLAN



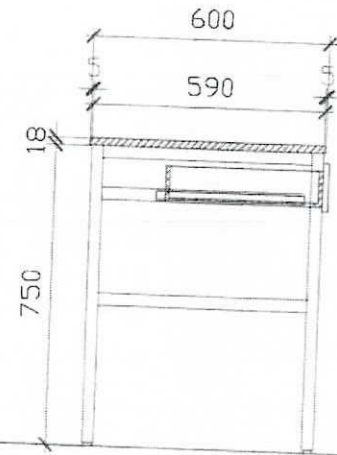
PERSPECTIVE



FRONT ELEV.



RIGHT SIDE ELEVATION



SECTION



DRAWN BY:

LET RAYMOND C. ALARSO
ARCHITECT

RECOMMENDING APPROVAL:

ENGR. ANABELLE M. GARCIA
CHIEF, EDUCATION FACILITIES DIVISION

APPROVED BY:

ENR. IMACIO V. DENISING II
Undersecretary for School Infrastructure and Facilities

CONCURRED BY:

GINA O. GORONG
Undersecretary for Curriculum and Teaching

PROJECT TITLE:

TEACHER'S TABLE
(WOOD & STEEL)

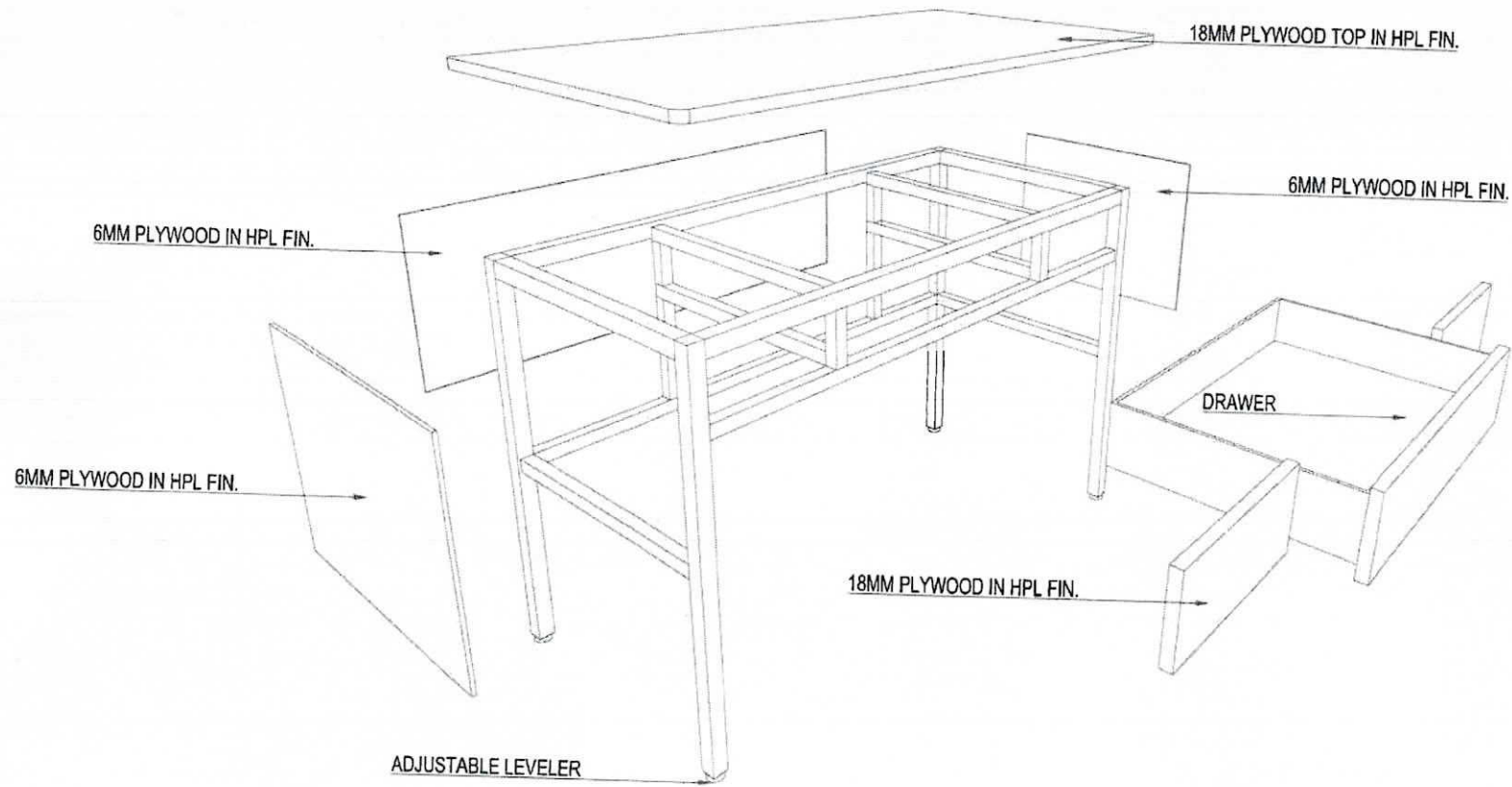
SHEET CONTENTS

PLAN
PERSPECTIVE
FRONT ELEVATION
SECTION



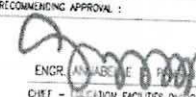
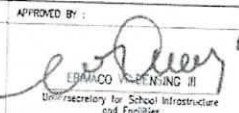
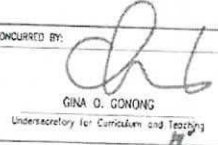
SHEET NO.:

2
5

TEACHER'S TABLE



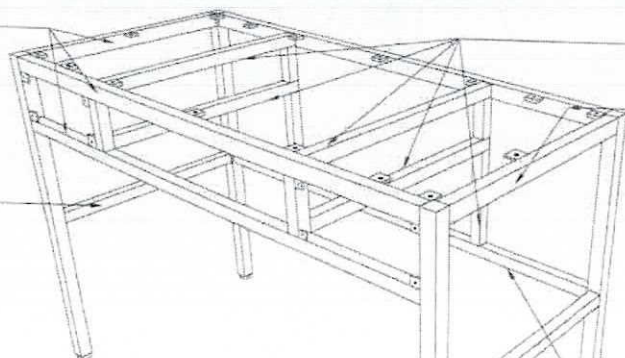
EXPLODED VIEW

 DepED DEPARTMENT OF EDUCATION EDUCATION FACILITIES DIVISION MERRILL ROAD, PASAY CITY	DRAWN BY :  J. C. ALARICO ARCHITECT	RECOMMENDING APPROVAL :  ENGR. ANABELLE B. PINEDA CHIEF - EDUCATION FACILITIES DIVISION	APPROVED BY :  E. B. BENNING III Undersecretary for School Infrastructure and Facilities	CONCURRED BY :  GINA O. GONONG Undersecretary for Curriculum and Teaching	PROJECT TITLE TEACHER'S TABLE (WOOD & STEEL)	SHEET CONTENTS TEACHER'S TABLE EXPLODED VIEW	SHEET NO. 3 5
---	---	---	---	---	--	---	---------------------

METAL FRAMING DETAIL

30X30X1MM TUBULAR
IN BLACK POWDER
COAT FIN.

30X30X1MM TUBULAR
IN BLACK POWDER
COAT FIN.



30X30X1MM TUBULAR
IN BLACK POWDER
COAT FIN.

30X30X1MM TUBULAR
IN BLACK POWDER
COAT FIN.

30X30X1MM TUBULAR
IN BLACK POWDER
COAT FIN.

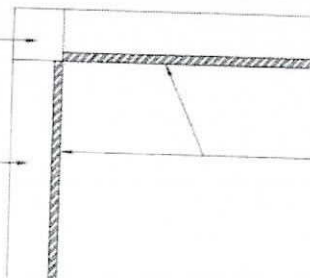
30X30X1MM TUBULAR
POST IN BLACK POWDER
COAT FIN.

ADJUSTABLE
GLIDES

PERSPECTIVE

30X30X1MM TUBULAR
POST IN BLACK POWDER
COAT FIN.

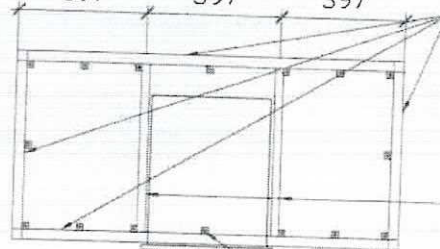
30X30X1MM TUBULAR
BRACE IN BLACK POWDER
COAT FIN.



6MM PLYWOOD IN HPL FIN.

TOP VIEW SECTION

397 397 397

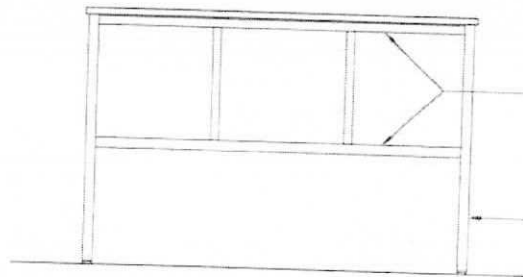


30X30X1MM TUBULAR
BRACE IN BLACK POWDER
COAT FIN.

30X30X1MM TUBULAR
IN BLACK POWDER
COAT FIN.

TOP

25mmX50mmX1MM THK.
POWDER COATED STEEL
FLAT BAR

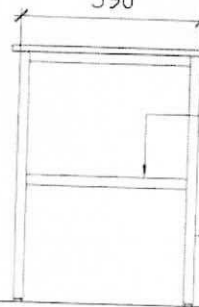


30X30X1MM TUBULAR
IN BLACK POWDER
COAT FIN.

30X30X1MM TUBULAR
POST IN BLACK POWDER
COAT FIN.

FRONT

590



30X30X1MM TUBULAR
IN BLACK POWDER
COAT FIN.

30X30X1MM TUBULAR
POST IN BLACK POWDER
COAT FIN.

SIDE VIEW



DRAWN BY :

JET RAYMOND C. ALABASO

ARCHITECT

RECOMMENDING APPROVAL :

ENR. ANNABELLE S. SORIANO

CHIEF - EDUCATION FACILITIES DIVISION

APPROVED BY :

ENR. ANNE L. SORIANO II

Undersecretary for School Infrastructure and Facilities

CONCURRED BY :

GINA O. GONDONG

Undersecretary for Curriculum and Teaching

PROJECT TITLE :

TEACHER'S TABLE
(WOOD & STEEL)

SHEET CONTENTS

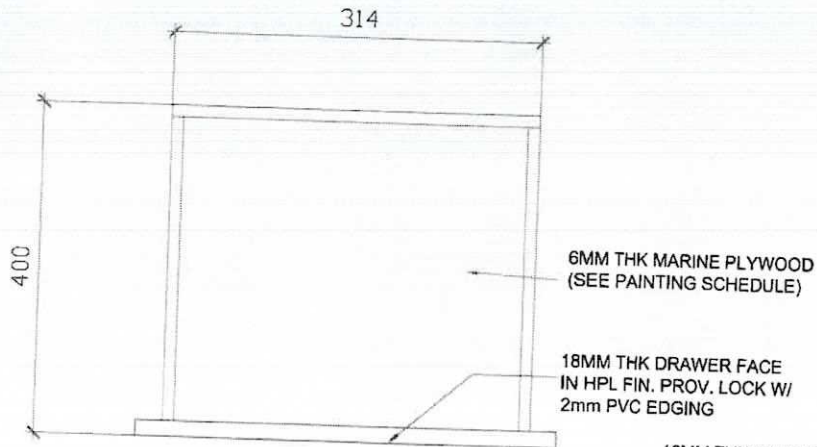
METAL FRAMING PERSPECTIVE

SHEET NO.:

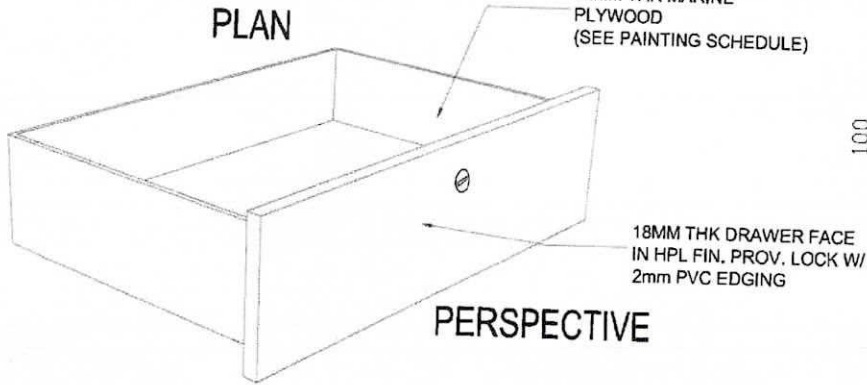
4

5

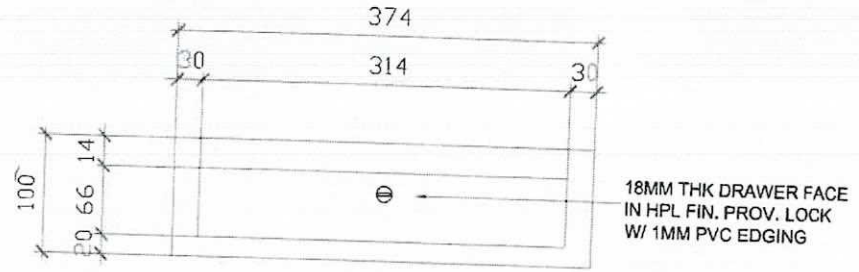
METAL CENTRAL DRAWER DETAIL



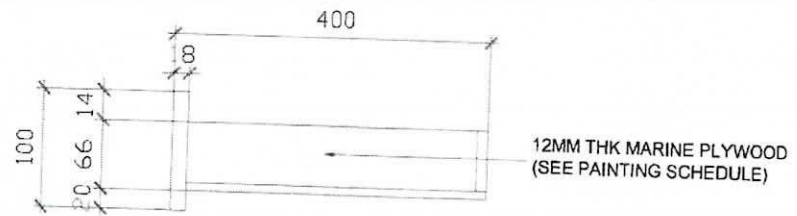
PLAN



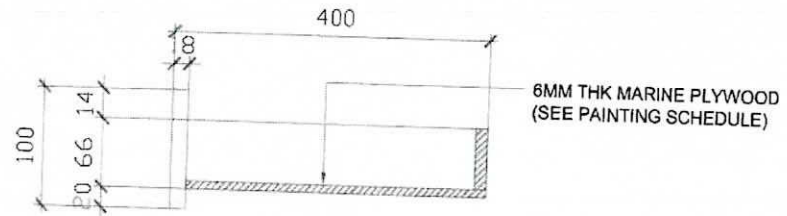
PERSPECTIVE



FRONT ELEV.



RIGHT SIDE VIEW



SECTION

PAINTING SCHEDULE

PAINTING SCHEDULE	
SANDING	ALL SURFACE TO BE COATED SHALL BE SMOOTHLY SANDED
1ST COAT	OIL WOOD STAIN - WHITE OAK FULL COLOR
INTERMEDIATE COAT	LACQUER SANDING SEALER
TOP COAT	CLEAR GLOSS LACQUER (2 COATS)



DRAWN BY:

 RAYMOND G. ALBASO
 ARCHITECT

RECOMMENDING APPROVAL:

 ENGR. ARMANDO B. BAGAN
 CHIEF - EDUCATION FACILITIES DIVISION

APPROVED BY:

 RAMON M. GONDING III
 Undersecretary for Schools, Infrastructure and Facilities

CONCURRED BY:

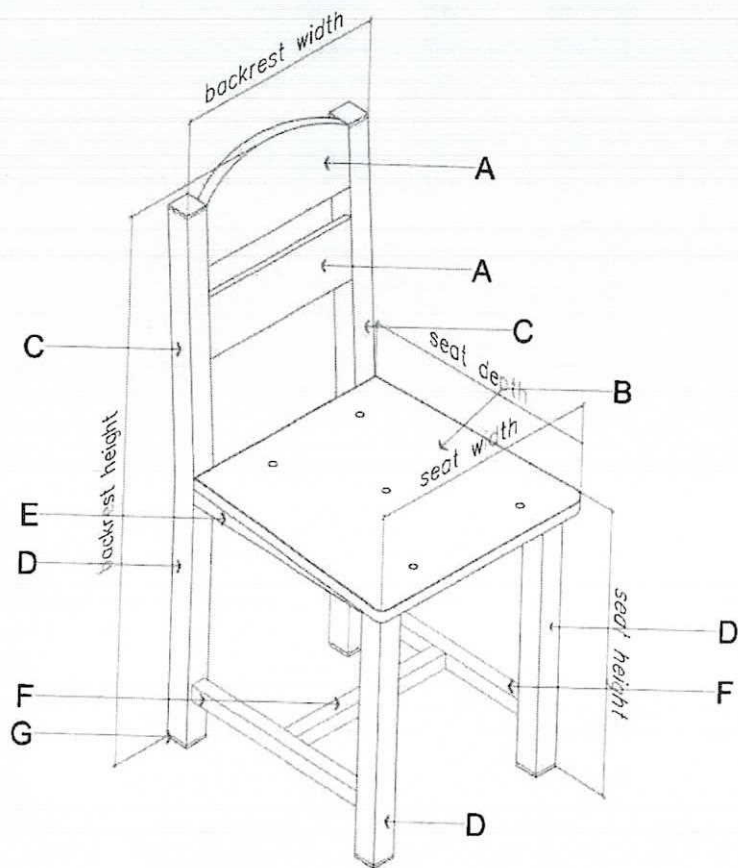
 GINA O. GONDING
 Undersecretary for Curriculum and Teaching

PROJECT TITLE:
 TEACHER'S TABLE
 (WOOD & STEEL)

SHEET CONTENTS:
 METAL DRAWER DETAIL
 -FRONT ELEVATION
 -SECTION
 -EXPLODED VIEW
 -PERSPECTIVE

SHEET NO:
 5

5



1 ISOMETRIC- TEACHER'S CHAIR
1 SCALE - M

NOTES:
WOOD GLUE SHALL BE APPLIED BEFORE INSERTING E-NUT INTO THE PLYWOOD
CORNERS OF BACKREST & SEAT PANELS MUST BE ROUNDED

1 TECHNICAL SPECIFICATIONS OF TEACHER'S CHAIR		
MARK	COMPONENT	SPECIFICATIONS
A	BACKREST	18mm THK BACKREST PANEL (0.9mm THK HIGH PRESSURE LAMINATE ON MARINE PLYWOOD) W/ PVC EDGING
B	SEAT	18mm THK SEAT PANEL (0.9mm THK HIGH PRESSURE LAMINATE ON MARINE PLYWOOD) W/ PVC EDGING & 5 VENT HOLES (12mm ϕ)
C	BACKREST SUPPORT	0.8mm THK x 30mm x 30mm STEEL TUBULAR
D	LEG	0.8mm THK x 30mm x 30mm STEEL TUBULAR
E	SEAT SUPPORT	1mm THK x 30mm x 30mm STEEL TUBULAR
F	LEG BRACE	1mm THK x 30mm x 30mm STEEL TUBULAR
G	FOOTING	HARD PLASTIC (BLACK)
	EDGING	PVC EDGING
	CONNECTION	
	WOOD TO STEEL	1mm THK x 25mm x 75mm FLAT BAR (FOR BACKREST - 1) 1mm THK x 25mm x 50mm FLAT BAR (FOR BACKREST - 2) 1mm THK x 25mm x 50mm FLAT BAR (SEAT) M6 x 13mm E-NUT AND SCREW (WOOD INSERT)
	STEEL TO STEEL	FULL WELDING - FOR TUBULAR TO TUBULAR CONNECTIONS; ADEQUATE WELDING - FOR B.I. PIPE TO FLAT BAR CONNECTIONS

2 SCHEDULE OF FINISHES	
BACKREST & SEAT	HIGH PRESSURE WOOD GRAIN LAMINATE W/ PVC EDGING
METAL / STEEL	POWDER COATED (BLACK); SMOOTH, GLOSSY FINISH
LAMINATE COLOR	SERANO BEECH OR EQUIVALENT

3 DIMENSIONS OF TEACHER'S CHAIR (TOLERANCE OF ± 10 mm)	
COMPONENT	DIMENSIONS (mm)
SEAT HEIGHT	440
SEAT DEPTH	400
SEAT WIDTH	400
BACKREST HEIGHT	850
BACKREST WIDTH	350

REPUBLIC OF THE PHILIPPINES
DepED
DEPARTMENT OF EDUCATION
EDUCATION FACILITIES DIVISION
MERRILL ROAD, PASIG CITY

DRAWN BY: *[Signature]*
ENR. RAYMOND G. ALABAS
ARCHITECT

RECOMMENDING APPROVAL: *[Signature]*
ENR. ANNE BELLE M. PARRON
CHIEF, EDUCATION FACILITIES DIVISION

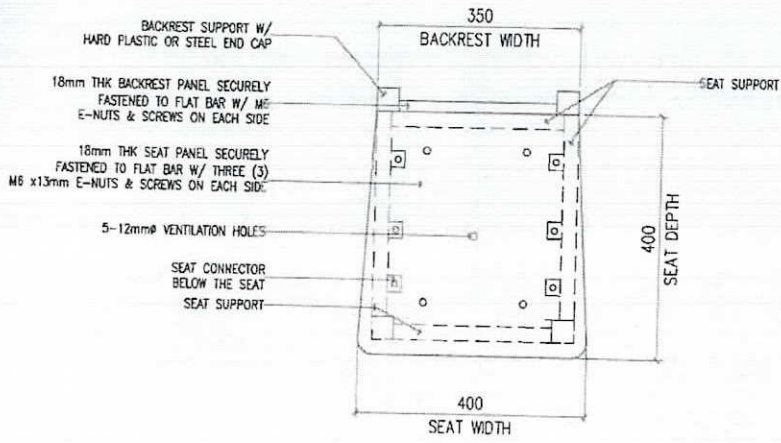
APPROVED BY: *[Signature]*
ENR. MARCO A. GONZALES
Undersecretary for School Infrastructure and Facilities

CONCURRED BY: *[Signature]*
ENR. O. USONONG
Undersecretary for Curriculum and Teaching

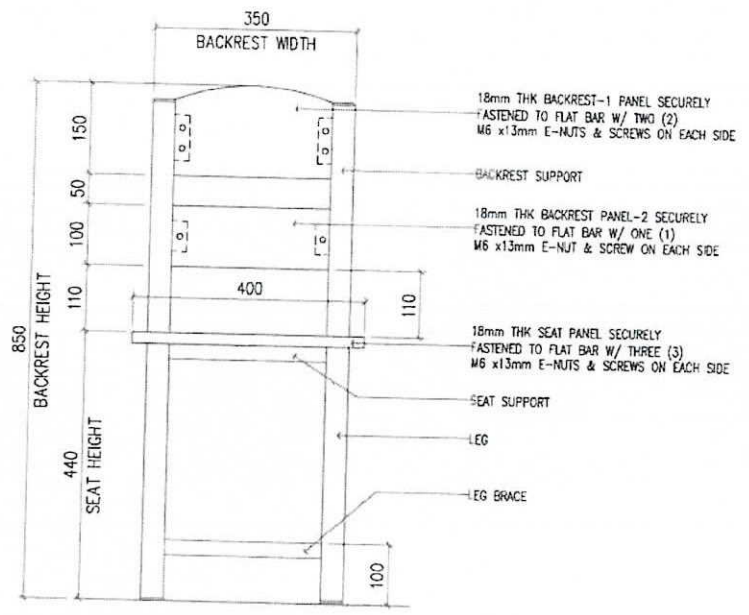
PROJECT TITLE: TEACHER'S CHAIR (WOOD & STEEL)

SHEET CONTENTS: TECHNICAL SPECIFICATIONS OF TEACHER'S CHAIR SCHEDULE OF FINISHES DIMENSIONS ISOMETRIC VIEW

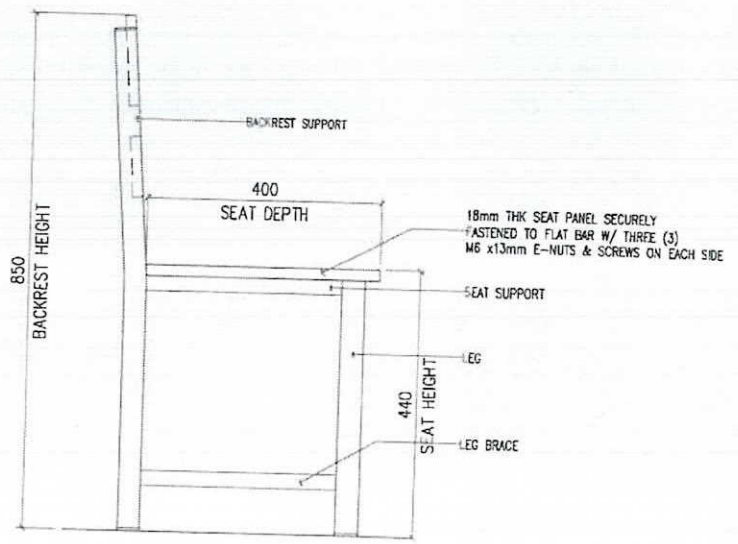
SHEET NO: 1 / 3



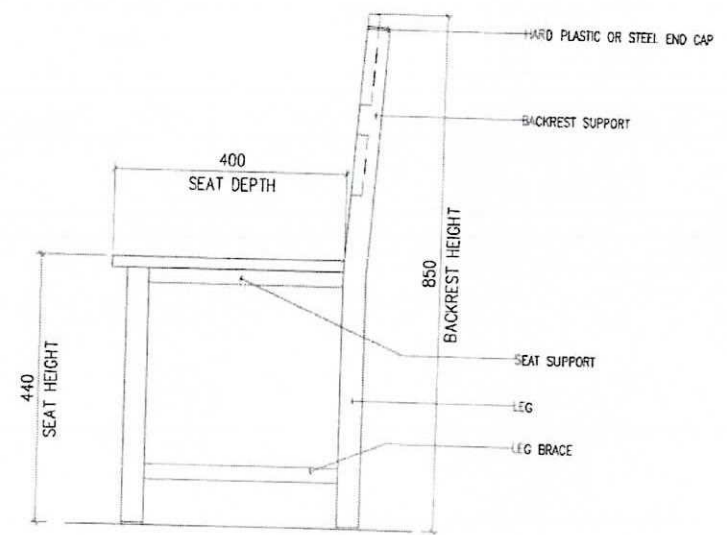
1 PLAN
2 SCALE 1 : 50 M



2 FRONT ELEVATION
2 SCALE 1 : 50 M



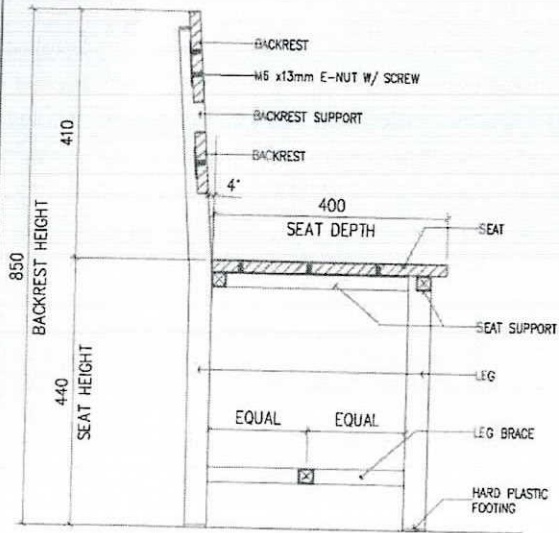
3 LEFT-SIDE ELEVATION
2 SCALE 1 : 50 M



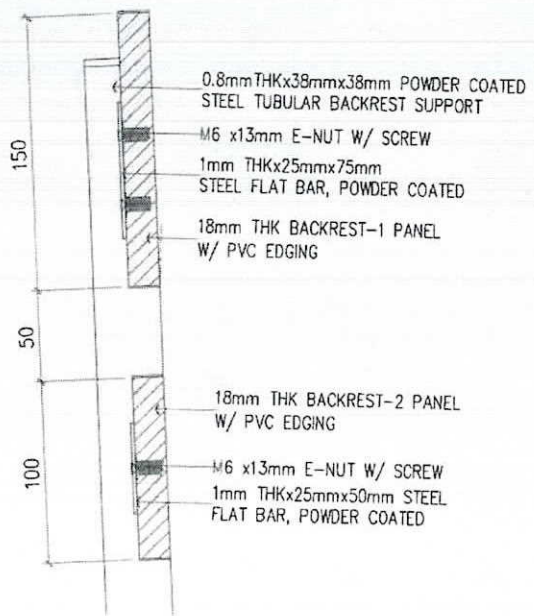
4 RIGHT-SIDE ELEVATION
2 SCALE 1 : 50 M

NOTES:
WOOD GLUE SHALL BE APPLIED BEFORE INSERTING E-NUT INTO THE PLYWOOD
CORNERS OF BACKREST & SEAT PANELS MUST BE ROUNDED

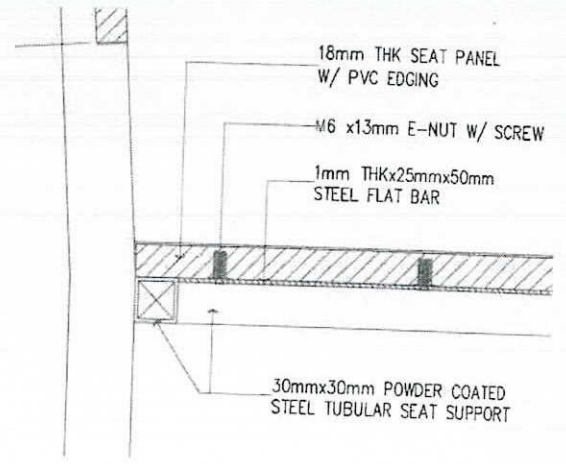
 DEPARTMENT OF EDUCATION EDUCATION FACILITIES DIVISION HERALD AVENUE, PASAY CITY	DESIGN BY: JET P. MARQUEZ ARCHITECT	RECOMMENDING APPROVAL: ENGR. ANNABELE B. BANGS CHIEF - EDUCATION FACILITIES DIVISION	APPROVED BY: EPIMACO V. DENISING, JR. Undersecretary for School Infrastructure and Facilities	CONCURRED BY: GINA D. GONONG Undersecretary for Curriculum and Teaching	PROJECT TITLE: TEACHER'S CHAIR (WOOD & STEEL)	SHEET CONTENTS: PLANS & ELEVATIONS - TEACHER'S CHAIR	SHEET NO: 2
							3



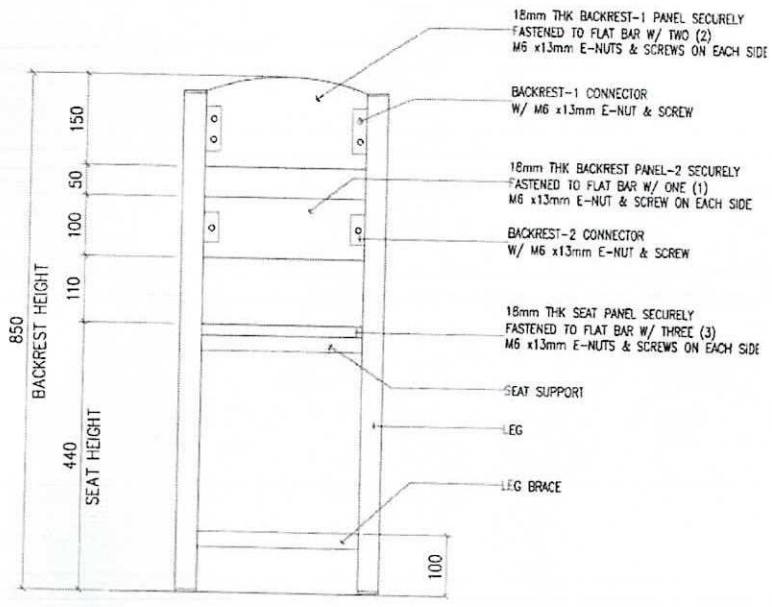
1 CROSS SECTION
3 SCALE 1 : 50 M



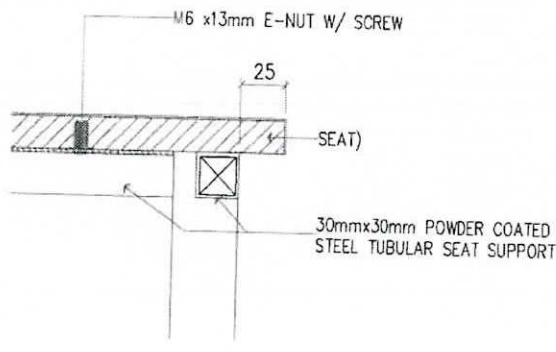
3 DETAIL - 1
3 SCALE 1 : 50 M



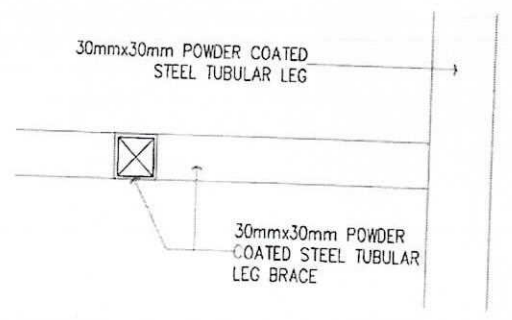
4 DETAIL - 2
3 SCALE 1 : 50 M



2 REAR ELEVATION
3 SCALE 1 : 50 M



5 DETAIL - 3
3 SCALE 1 : 50 M



6 DETAIL - 4
3 SCALE 1 : 50 M

NOTES:
WOOD GLUE SHALL BE APPLIED BEFORE INSERTING E-NUT INTO THE PLYWOOD CORNERS OF BACKREST & SEAT PANELS MUST BE ROUNDED

REPUBLIC OF THE PHILIPPINES DEPARTMENT OF EDUCATION EDUCATION FACILITIES DIVISION MERRILL AVENUE, PASIG CITY	DRAWN BY: RAYMOND C. ALARASO ARCHITECT	RECOMMENDING APPROVAL: ENGR. ANABELLE E. LIM CHIEF - EDUCATION FACILITIES DIVISION	APPROVED BY: EPIMACO V. TIENSING II Undersecretary for School Infrastructure and Facilities	CONCURRED BY: GINA D. QUINONG Undersecretary for Curriculum and Teaching	PROJECT TITLE: TEACHER'S CHAIR (WOOD & STEEL)	SHEET CONTENTS CROSS SECTION REAR ELEVATION SPOT DETAILS	SHEET NO. 3 3
	NOTES: WOOD GLUE SHALL BE APPLIED BEFORE INSERTING E-NUT INTO THE PLYWOOD CORNERS OF BACKREST & SEAT PANELS MUST BE ROUNDED						